

Microfiche on CD-ROM End-User License Agreement

NOTICE TO USER: THIS IS A CONTRACT. BY PURCHASING AND USING THE MICROFICHE ON CD-ROM, YOU ACCEPT ALL THE TERMS AND CONDITIONS OF THIS AGREEMENT.

This End User License Agreement accompanies the Microfiche on CD-ROM product and related explanatory materials. Please read this Agreement carefully. By purchasing and using the Microfiche on CD-ROM, you are implying that you have carefully read, agree with, and will adhere to the conditions set forth in this agreement. If you do wish to accept the terms of this end-user agreement, please do not use the Microfiche on CD-ROM. You will not be permitted to use the Microfiche on CD-ROM without consenting to this end-user agreement.

Upon your acceptance of this Agreement, Samuel A. Namen grants to you a nonexclusive license to use the Microfiche on CD-ROM, provided that you agree to the following:

1. Use of the Software.

You may install the PDF file on a hard disk or other storage device for personal use only. Each Microfiche on CD-ROM comes with a single user license. Under no circumstances should the contents of the Microfiche on CD-ROM be placed on a file server for the purposes of distributing or allowing access to the material over a network.

2. Copyright and Trademark Rights.

The Microfiche on CD-ROM is owned by Samuel A. Namen, and its structure and organization are considered the intellectual property of Samuel A. Namen. The Microfiche on CD-ROM also is protected by United States Copyright Law and International Treaty provisions. This Agreement does not grant you any intellectual property or resale rights to the Microfiche on CD-ROM.

3. Restrictions.

You agree not to modify, adapt, translate, reverse engineer, decompile, or disassemble the PDF file on the Microfiche on CD-ROM. The Microfiche on CD-ROM is licensed and distributed by Samuel A. Namen for single user utilization of its contents only. Licensed users will be permitted to use the contents of the Microfiche on CD-ROM for multimedia presentations to an audience from a single machine using a large display or projection device, but the Microfiche on CD-ROM may not otherwise be distributed, sold to or made accessible to multiple users.

4. No Warranty.

The Software is being delivered to you AS IS, and Samuel A. Namen makes no warranty as to its use or performance. SAMUEL A. NAMEN DOES NOT AND CANNOT WARRANT THE PERFORMANCE OR RESULTS YOU MAY OBTAIN BY USING THE MICROFICHE ON CD-

ROM OR DOCUMENTATION, NOR MAKES ANY WARRANTIES, EXPRESS OR IMPLIED, AS TO NONINFRINGEMENT OF THIRD-PARTY RIGHTS, MERCHANTABILITY, OR FITNESS FOR ANY PARTICULAR PURPOSE. IN NO EVENT WILL SAMUEL A. NAMEN BE LIABLE TO YOU FOR ANY CONSEQUENTIAL, INCIDENTAL, OR SPECIAL DAMAGES FOR ANY REASON.

5. Governing Law and General Provisions.

This Agreement will be governed by the laws of the State of Ohio, USA, excluding the application of its conflicts of law rules. This Agreement will not be governed by the United Nations Convention on Contracts for the International Sale of Goods, the application of which is expressly excluded. If any part of this Agreement is found void and unenforceable, it will not affect the validity of the balance of the Agreement, which shall remain valid and enforceable according to its terms. You agree that the Microfiche on CD-ROM will not be shipped, transferred, or exported into any country or used in any manner prohibited by the United States Export Administration Act or any other export laws, restrictions, or regulations. This Agreement shall automatically terminate upon failure by you to comply with its terms. This Agreement may only be modified in writing signed by an authorized officer for Samuel A. Namen.

Samuel A. Namen
Canton, Ohio 44710
USA

YOUR ACCEPTANCE OF THE FOREGOING AGREEMENT IS
IMPLIED UPON PURCHASING AND USING THE MICROFICHE ON CD-ROM.

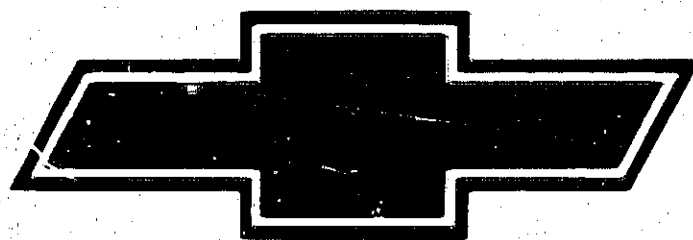
VIOLATIONS OF THESE CONDITIONS WILL BE PROSECUTED IN EVERY
CASE.

© 2000 Samuel A. Namen
All rights reserved.

MICROFICHE INDEX
GROUPS 0.000 THRU 2.000 & 21.000
FICHE 1 OF 6

GROUP DESCRIPTION	STARTING GRID LOCATION	
	PARTS	ILLUSTRATIONS
- INTRODUCTION	A-6	J-2
- GENERAL INFORMATION	A-2	J-2
- ALPHABETICAL INDEX	C-11	N.A.
- INDEX FOR ADDITIONAL INFORMATION	A-5	N.A.
0.000 ENGINE - CLUTCH	D-12	J-6
1.000 COOLING - GRILLE - OIL SYSTEM	E-11	K-15
2.000 CHASSIS WIRING - LAMPS	G-13	L-7
21.000 ACCESSORY REFERENCE LIST	D-9	N.A.
- OUT OF FICHE CALLS	N.A.	N-2

A-1



CHEVROLET

1953-1982 CORVETTE

PARTS AND ILLUSTRATION CATALOG

IMPORTANT

Passenger vehicles for 1976 thru 1982 contain many parts dimensioned in the metric system. These parts are very close in dimension to familiar customary measurements in the inch system. It is important that during any vehicle maintenance procedure, replacement fasteners have the same measurements as those removed, whether metric or customary. Mismatched or incorrect fasteners can result in vehicle damage or malfunction, or possibly personal injury.

Fastener sizes denoted on illustrations may not reflect metric dimensions. However, since the same vehicle may be built with metric or customary fasteners, care should be exercised in selecting replacement part equivalent to the original fasteners in dimensions, strength and pitch of thread. Both metric and customary fasteners required for replacement are listed in the Warehousing and Distribution Division Standard Parts Catalog.

A special Warehousing and Distribution Division label, saying "Metric Fasteners Required" in red letters, will be used to identify service parts which require metric fasteners but replace parts which originally used inch fasteners. This label will enable dealers and over-the-counter customers to quickly recognize parts which have changed to metric fasteners.

DECEMBER, 1983

WAREHOUSING AND DISTRIBUTION
DIVISION OF GENERAL MOTORS CORPORATION
FLINT, MICHIGAN 48554

CHEVROLET — 14A. PRINTED IN U.S.A.

CHEVROLET PARTS PUBLICATIONS

The Chevrolet Parts Catalog System is divided into the following publications.

NO.	TITLE
10	1976-1981 Chevrolet Catalog except Corvette
10A	1976-1981 Chevrolet Illustration Catalog except Corvette
11	Chevrolet Parts Catalog Model thru 1975 includes: 1965-1975 Passenger Car 1962-1975 Chevy II and Nova 1964-1975 Chevelle 1967-1975 Camaro 1971-1975 Vega and Monza
11A	Chevrolet Models thru 1975 Parts Illustration Catalog
12	1946-1964 Chevrolet Passenger Car Parts Catalog
14A	1953-1982 Chevrolet Corvette Parts and Illustration Catalog
14Y	1984 Chevrolet Corvette Parts and Illustration Catalog
15	1960-1969 Chevrolet Corvair Parts Catalog
16	Chevrolet Dealer Parts and Accessories Price Schedule
17W	1982-84 Chevrolet (B-G-T-X Body) (Including Illustrations)
17A	1982-84 Chevrolet (A Body) (Including Illustrations)
17J	1982-84 Chevrolet (J Body) (Including Illustrations)
17F	1982-84 Chevrolet (F Body) (Including Illustrations)
55A	Chevrolet LUV Truck (Series 1 thru 12)
72 TL	1946-1972 Chevrolet Series 10 thru 35 Truck Parts & Accessories Catalog
72 TM	1946-1972 Chevrolet Series 40-50-60 Truck Parts & Accessories Catalog
51A	1973-1978 Chevrolet Series 10 thru 35 Truck Parts & Accessories Catalog
78 TL-GR	1973-1978 Chevrolet Series 10 thru 35 Truck Parts Illustration Catalog
52A	1979-1984 Chevrolet Series 10 thru 30 Parts and Illustration Catalog (Except S Truck)
52S	1982-84 Chevrolet LT Truck (S Series) (Including Illustrations)
58A	1978-1984 Caballero Parts and Illustration Catalog
78 TM	1973-1978 Chevrolet Series 50-60-65 Truck Parts & Accessories Catalog
78 TM-GR	1973-1978 Chevrolet Series 50-60-65 Truck Parts Illustration Catalog
72 TH-70, 80	Chevrolet Heavy Duty Truck Parts Catalog for: 1966-1972 2½ Ton Series 70000 Trucks 1966-1973 3 Ton Series 80000 Trucks
72 TH-90	1970-1972 3½ Ton Series 90000 Trucks
78 TH	1973-1978 Series 70-80-90 Truck Parts & Accessories Catalog
78 TH-GR	1973-1978 Series 70-80-90 Truck Parts Illustration Catalog
82 TM-SC	1979-82 Series 50-60-70 Conv. Truck Parts Catalog
82 TM-PS	1979-82 Series 40 P Model Chassis Truck Parts Catalog
82 TM-SB	1979-82 Series 6C School Bus Chassis Parts Catalog
80 TM-TILT	1979-80 Series 60-70 Tilt Parts Catalog
82 TM-GR	1979-82 Series 50-60-70 Truck Illustration Catalog
82 TH-A & T	1979-82 Astro-Titan Truck Parts Catalog
82 TH-B & B	1979-82 Brigadier-Bruin Truck Parts Catalog
82 TH-BIG	1979-82 General & Bison Truck Parts Catalog
82 TH-GR	1979-82 Series 80-90 Illustration Catalog
M-SB	1983 School Bus Models (Not Illustrations)
M-SB-G	1983 School Bus Graphic Illustrations
M-SC	1983 Steel Conventional Models (Not Illustrations)
M-SC-G	1983 Steel Conventional Graphic Illustrations
H-AST	1983 Astro Models (Not Illustrations)
H-AST-G	1983 Astro Graphic Illustrations
H-BRG	1983 Brigadier Models (Not Illustrations)
H-BRG-G	1983 Brigadier Graphic Illustrations
H-GEN	1983 General Models (Not Illustrations)
H-GEN-G	1983 General Graphic Illustrations
89	English & Metric Standard Parts Service and Maintenance Products

CONTENTS

	GROUP
INTRODUCTION	—
GENERAL INFORMATION	—
ALPHABETICAL INDEX	—
ENGINE — CLUTCH	0.000
COOLING — GRILLE — OIL SYSTEM	1.000
CHASSIS WIRING — LAMPS	2.000
FUEL — EXHAUST — CARBURETION	3.000
TRANSMISSION — BRAKES	4.000
BRAKES — REAR AXLE — PROPELLER SHAFT — WHEELS	5.000
FRONT SUSPENSION — STEERING	6.000
FRAME — SPRINGS — SHOCKS — BUMPERS	7.000
FRONT END SHEET METAL — HEATER	8.000
BODY MOUNTING — AIR CONDITIONING — INSTRUMENT CLUSTER	9.000
DOORS — REGULATORS — WINDSHIELD — WIPER — WASHER	10.000
REAR GLASS — SEAT PARTS — ADJUSTER	11.000
BODY MOLDINGS — SHEET METAL	12.000
CONVERTIBLE TOP TRIM — BODY WIRING	13.000
CONVERTIBLE TOP HARDWARE — INTERIOR TRIM — SEAT BELTS	14.000
REAR SEAT TRIM — CARPETS — YARDAGE	15.000

INDEX FOR ADDITIONAL CORVETTE INFORMATION

The following identification or usage charts are located in the catalog as listed below: GRID

Body Number Plate	Page 8	1,2,3,4,5,6-A9
Model Identification	Page 9	1,2,3,4,5,6-A10
Engine Identification	Page 10	1,2,3,4,5,6-A11
V.I.N.	Page 17	1,2,3,4,5,6-A18
Axle Identification	Page 30	1,2,3,4,5,6-B4
Trim Combinations	Page 33	1,2,3,4,5,6-B7
Paint Color Charts	Page 35	1,2,3,4,5,6-B9
GM Production Options	Page 41	1,2,3,4,5,6-B15
Abbreviations	Page 64	1,2,3,4,5,6-N.A.
Alphabetical Index	Page 68	1,2,3,4,5,6-C11
Accessories	Page A-1	1-D9
Radiator Codes (follows Group 1.855)	Page 1-1C	1-F8
V-Belt Chart	Page 1-5C	1-F17
Spark Plug Wires	(follows Group 2.906)	1-I 2
Exhaust Charts	Page 3-1E	2-H2
E.G.R. Valve Conversion Chart	Page 3-1V	2-F13
Carburetor and Parts Usage	Page 3-1C	2-F20
Fuel Tank Meters	(follows Carburetor Chart)	2-G26
Speedometer Gear Usage	Page 4-1C	3-G8
Spring Usage	Page 7-1C	4-F14
Air Conditioning Fittings	Page 9-1C	5-E6
Seat Belts	Page 14-1C	6-F21
Wire Harness Tag # Chart (follows Seat Belts)	Page T-1	6-G9

INTRODUCTION

GM3

This Parts Catalog has been compiled for the purpose of locating, identifying, and ordering replacement parts. All data and specifications contained in this publication are based on the latest product information available at the time of printing. Warehousing and Distribution Division reserves the right to make changes at any time without notice in data, price, specifications, materials, material, and model. The "List Prices" shown are suggested prices only for sales to consumers.

Replacement parts are listed in this catalog under 16 major groups, as shown on the content page. Individual parts are assigned a Prime Group number, the first numeral of the group identifies the main unit it is affiliated with, and following the decimal is the Sub-Group number under which all parts of the same name and function are listed. For example, Group 0.519 Camshaft. The "0" denotes that it is an Engine Part, "519" the sub-group where all Engine Camshafts are listed. Related parts may also be found in the same group. Within each group, parts are listed by model year, vehicle series, part number, number used per vehicle or R.H.-L.H. designation, suggested list price, part name and description.

Parts may be used in different locations on the car requiring the listing of the part number in more than one group. When this "Cross Referencing" occurs, the prime group is shown in brackets i.e. (1.850) in the description column.

To locate a listing for a part, determine the model vehicle and refer to the group number identifying it, which may be determined by using any of the following methods.

- A. When the name of the part is known, consult the ALPHABETICAL INDEX, which lists parts by noun name and Group Number where part is listed.
- B. Reference may be made to the ILLUSTRATION CATALOG, where Group Numbers, noun names or part numbers are shown.
- C. When a part number is known and model application or a similar part is required, consult the DEALER PRICE SCHEDULE for the Group Number to locate the part in the Parts Catalog.

Parts having application or used with optional equipment are identified by Option Number or abbreviation of option. Familiarity with Option Numbers will assist in determining correct part required.

Complete identification for models and options listed in this catalog will be found preceding the alphabetical index.

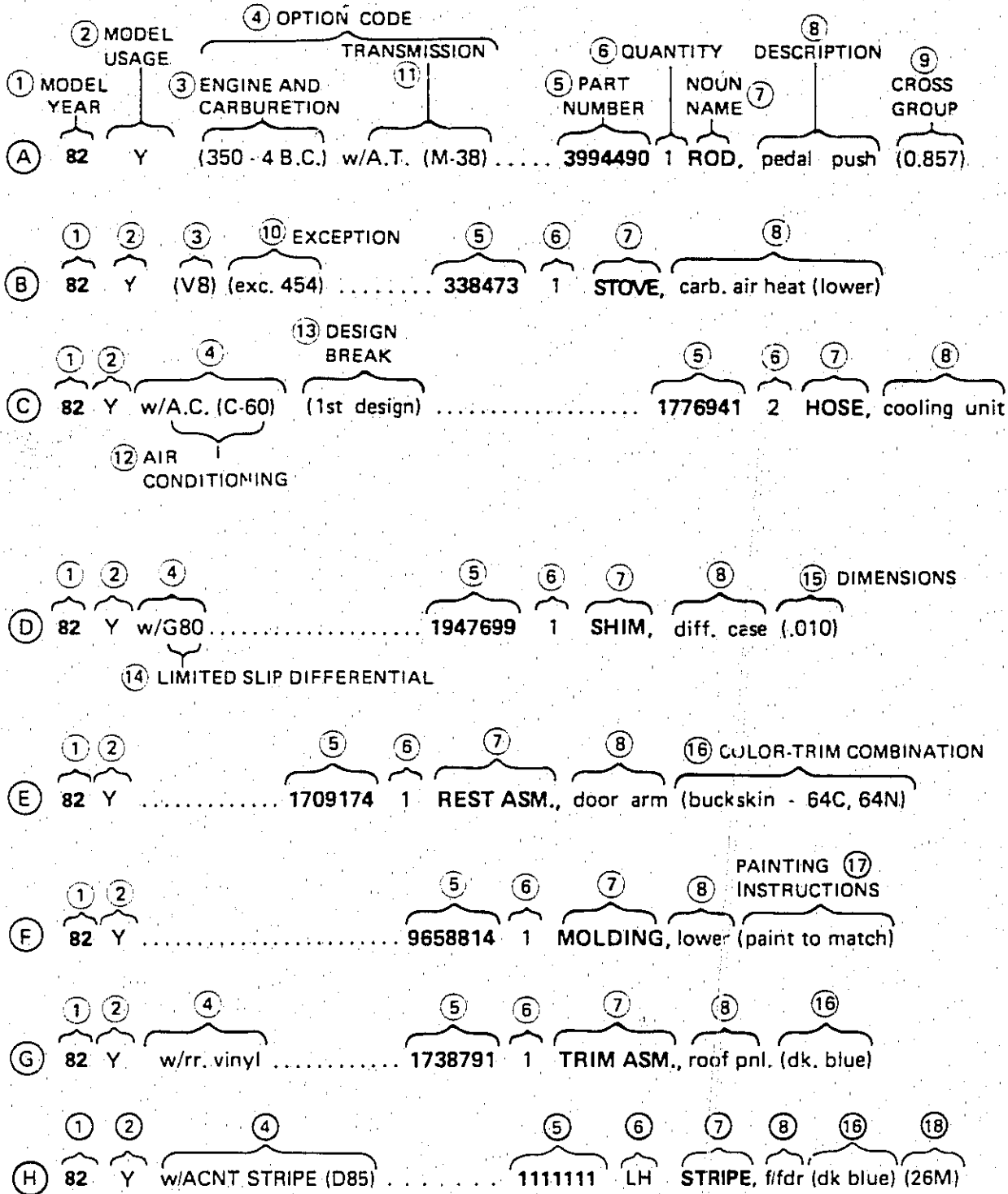
Service part numbers are assigned to individual parts that make up an assembly used in the production of models. Certain items may not be listed, such as short tubing parts or fuel lines that can be made up by dealers from bulk material or attaching parts may be included in packages with the major assembly and not listed separately.

Right Hand and Left Hand parts are so designated from the driver's position when seated in the car.

CHART A

CORVETTE CATALOG EXAMPLES

WHEN INTERPRETING MODEL USAGE, PLEASE REFER TO MODEL DESIGNATION CHARTS FOR SPECIFIC MODEL INTERPRETATION.



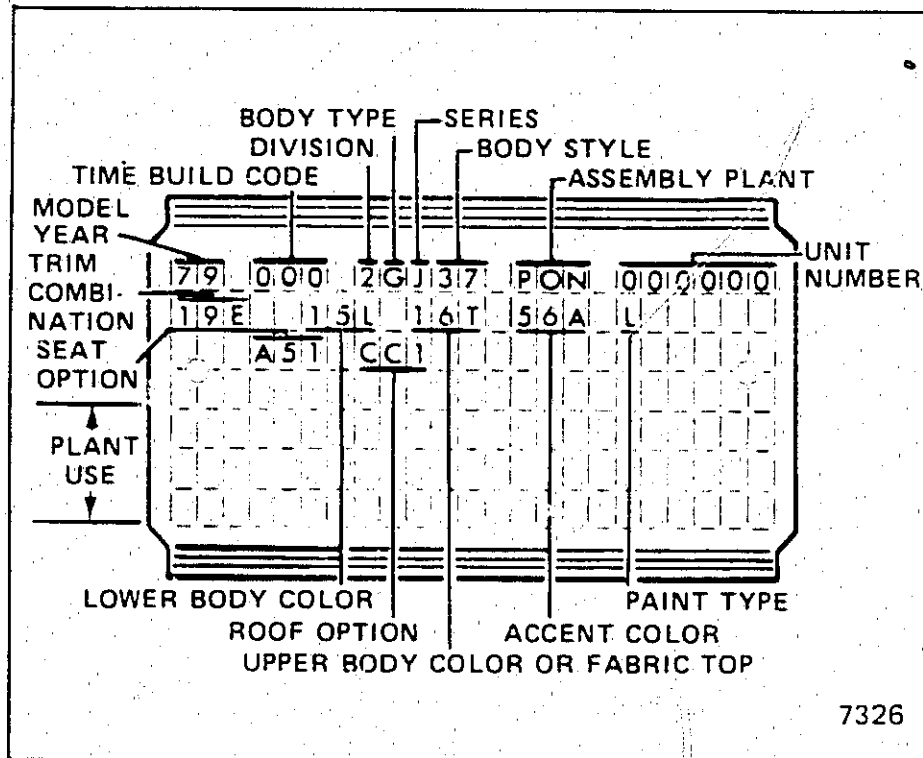
CORVETTE CATALOG

EXPLANATION OF TERMINOLOGY AS SHOWN ON CHART A.

- ① MODEL YEAR - SALES YEAR OF VEHICLE.
- ② MODEL USAGE - IN ORDER TO DETERMINE CORRECT MODEL USAGE USE THE ATTACHED MODEL DESIGNATION CHART. WHEN "ALL" APPEARS THIS INCLUDES ALL MODELS (A, B, F, H, T, X).
- ③ ENGINE AND CARBURETION - REFERENCE TO ENGINES WILL BE SHOWN IN CUBIC INCH DISPLACEMENT. IF REFERENCE HAS TO BE MADE TO SPECIFIC CARBURETION THIS WILL BE SHOWN IN PARENTHESIS WITH THE ENGINE DISPLACEMENT (SEE EXAMPLE A).
- ④ OPTION CODE - INDICATES ADDITIONAL USAGE OTHER THAN PRODUCTION STANDARD EQUIPMENT. IN MOST INSTANCES THE OPTION WILL BE SPELLED OUT (SEE EXAMPLE G). HOWEVER, THE OPTION CODES WILL BE USED FOR ENGINES, TRANSMISSIONS, AIR CONDITIONING, LIMITED SLIP DIFFERENTIAL AND NOX EMISSION SYSTEMS.
- ⑤ PART NUMBER - IDENTIFIES THE NUMBER ASSIGNED TO EACH PART.
- ⑥ QUANTITY - QUANTITY OF PARTS REQUIRED PER VEHICLE (AR MEANS AS REQUIRED).
- ⑦ NOUN NAME - ALL NOUN NAMES WILL BE SPELLED OUT AGAINST EVERY LINE OF MODEL APPLICATION.
- ⑧ DESCRIPTION - INCLUDES ALL ADDITIONAL DESCRIPTIVE INFORMATION NECESSARY TO DESCRIBE THE LOCATION OF THE PART ON THE VEHICLE.
- ⑨ CROSS GROUP - A CROSS GROUP IS SHOWN WHEN A PART IS LISTED IN A SECONDARY GROUP (SEE EXAMPLE A).
- ⑩ EXCEPTION - WILL BE USED ONLY WHEN MODELS OR OPTIONS ARE EXCLUDED (SEE EXAMPLE B).
- ⑪ TRANSMISSION - THE TRANSMISSION ABBREVIATION M.T. (MANUAL TRANS.) OR A.T. (AUTOMATIC TRANS.) WILL BE USED IN ALL INSTANCES WHERE THE PARTS APPLY TO ALL TYPES OF TRANSMISSIONS. WHEN THE MODEL APPLICATION MUST BE SPECIFIC TO A PARTICULAR TRANSMISSION, M.T. OR A.T. WILL BE USED ALONG WITH THE OPTION CODE (SEE EXAMPLE A).
- ⑫ AIR CONDITIONING - THE AIR CONDITIONING ABBREVIATION - A.C. WILL BE USED IN ALL INSTANCES WHERE THE PARTS APPLY TO ALL TYPES OF INSTALLATIONS. WHEN THE MODEL APPLICATION MUST BE SPECIFIC TO A PARTICULAR AIR CONDITIONING INSTALLATION, A.C. WILL BE USED ALONG WITH THE OPTION CODE (SEE EXAMPLE C).
- ⑬ DESIGN BREAK - WHEN PARTS ARE CATALOGED WITH A DESIGN CHANGE, THE DIFFERENCE WILL BE SHOWN EITHER AFTER THE OPTION COLUMN OR BY A NOTE (SEE EXAMPLE C).
- ⑭ LIMITED SLIP DIFFERENTIAL - THE LIMITED SLIP OPTION WILL ALWAYS BE WRITTEN (G-80) (SEE EXAMPLE D).
- ⑮ DIMENSIONS - ALL DIMENSIONS WILL BE SHOWN IN THE DESCRIPTION COLUMN. BOTH METRIC AND S.A.E. METHODS WILL BE USED WHERE APPLICABLE (SEE EXAMPLE D).
- ⑯ COLOR AND TRIM COMBINATIONS - COLOR AND TRIM COMBINATIONS WILL BE SHOWN TOGETHER IN THE SAME PARENTHESIS IN THE DESCRIPTION COLUMN (SEE EXAMPLE E).
- ⑰ PAINTING INSTRUCTIONS - THE PHRASE (PAINT TO MATCH) WILL BE SHOWN WHENEVER A PART HAS TO BE PAINTED BY THE DEALER (SEE EXAMPLE F).
- ⑱ STRIPE TRIM COMBINATIONS - "M, U, L" TRIM COMBINATIONS ON STRIPES WILL DESIGNATE THE BODY TRIM CODE WITH WHICH THE STRIPE IS USED. "A" IN THE TRIM CODE DESIGNATES ACCENT COLOR.

BODY NUMBER PLATE

THE BODY NUMBER PLATE IDENTIFIES THE MODEL YEAR, CAR DIVISION, SERIES, STYLE, BODY ASSEMBLY PLANT, BODY NUMBER, TRIM COMBINATION, MODULAR SEAT CODE, PAINT CODE AND BUILD DATE CODE.



MODEL SERIES IDENTIFICATION

Year	Series	Wheelbase	Vehicle
1953-1957	2900	102	CORVETTE
1958-1962	800	102	CORVETTE
1963-1964	837	98	CORVETTE (SPORT COUPE)
1963-1964	867	98	CORVETTE (CONVERTIBLE)
1965-1972	19437	98	CORVETTE (SPORT COUPE)
1965-1972	19467	98	CORVETTE (CONVERTIBLE)
1973-1975	1YZ67	98	CORVETTE (CONVERTIBLE)
1973-1977	1YZ37	98	CORVETTE (SPORT COUPE)
1978-1980	1YZ87	98	CORVETTE (SPORT COUPE)
1981	1YY87	98	CORVETTE (SPORT COUPE)
1982	1YY07	98	CORVETTE (FASTBACK HATCH) COLLECTORS EDITION
1982	1YY87	98	CORVETTE (SPORT COUPE)

CORVETTE ENGINE SERIES NUMBER AND SUFFIX CHART

1956

"265"—8 CYLINDER

Description	Type Designation	Description	Type Designation
3-Speed	GR	Powerglide	FG

EXAMPLE 1:

The 50th 210G Series regular production "235" 6-cylinder engine built at Flint carries Serial No. 0001050 F56Z; if built at Tonawanda, 0001050 T56Z

1957

3 Speed Transmission and 4BC	EF	Powerglide	FH
Dual 4BC	EH	3 Speed Transmission and Fuel Injection	EM
Dual 4BC and Hi Lift Cam	EG	3 Speed Transmission, Fuel Injection and Hi Lift Cam	EL
Powerglide and Dual 4BC	FG	Powerglide and Fuel Injection	FK

Note: The continuous engine serial number has been eliminated. The engine plants now stamp a source, production date and type on serial pad.

Note: Numbered in sequence commencing with 1001.

EXAMPLE: T101A

(T)	(1)	(01)	(A)
Tonawanda	Month	Day	Standard 6 cyl. "235"
Plant	January	First	Models 15-21-2400

1958

"283"—8 CYLINDER

3 Speed Transmission	CQ	3 Speed Transmission, Dual 4BC and Hi Lift Cam	CU
3 Speed Transmission and Fuel Injection	CR	Powerglide	DG
3 Speed Transmission, Fuel Injection and Hi Lift Cam	CS	Powerglide and Fuel Injection	DH
3 Speed Transmission and Dual 4BC	CT	Powerglide and Dual 4BC	DJ

Note: The continuous engine serial number has been eliminated. Engines are now stamped with a source, production date and type on serial pad.

1959

"283"—8 CYLINDER

3 Speed Transmission	CQ	3 Speed, Dual 4BC and Hi Lift Cam	CU
3 Speed and Fuel Injection	CR	Powerglide	DG
3 Speed, Fuel Injection and Hi Lift Cam	CS	Powerglide and Fuel Injection	DH
3 Speed and Dual 4BC	CT	Powerglide and Dual 4BC	DJ

Note: The continuous engine serial number has been eliminated. The engine plants now stamp a source, production date and type on serial pad.

1960

"283"—8 CYLINDER

Manual Trans.	CQ	Dual 4BC and Hi Lift Cam	CU
Fuel Injection	CR	Powerglide	DG
Fuel Injection and Hi Lift Cam	CS	Powerglide and Dual 4BC	DJ
Dual 4BC	CT		

CORVETTE ENGINE SERIES NUMBER AND SUFFIX CHART (Cont.)

V7

1961

"283"—8 CYLINDER

Description	Type Designation	Description	Type Designation
Manual Trans.	CO	Dual 4BC and Hi Lift Cam	CU
Fuel Injection	CR	Powerglide	DG
Fuel Injection and Hi Lift Cam	CS	Powerglide and Dual 4BC	DI
Dual 4BC	CT		

Note: CORVETTE engines have the last six digits of the vehicle serial number stamped on engine date boss. Engines are stamped with a source, production date and type on serial pad.

1962

"327"—8 CYLINDER

Dual 4 BC	CO	Manual Trans. and Fuel Injection	RF
Manual Trans.	RC	Powerglide	SC
Manual Trans. and High Performance	RD	Powerglide and High Performance	SD
Manual Trans. and Spec. High Performance	RE		

1963

"327"—8 CYLINDER

Manual Trans.	RC	Manual Trans. and Fuel Injection	RF
Manual Trans. and High Performance	RD	Powerglide	SC
Special High Performance	RE	Powerglide and High Performance	SD

1964

"327"—8 CYLINDER

Manual Trans.	RC	Manual Trans. and Transistor Ignition	RT
Manual Trans. and High Performance	RD	Manual Trans. Transistor Ignition and C.A.C.	RU
Special High Performance	RE	Fuel Injection and Transistor Ignition	RX
Manual Trans. and Fuel Injection	RF	Powerglide	SC
Manual Trans. and C.A.C.	RP	Powerglide and High Performance	SD
Manual Trans. High Performance and C.A.C.	RQ	Powerglide and C.A.C.	SK
Manual Trans., Special High Performance and C.A.C.	RR	Powerglide, High Performance and C.A.C.	SL

Note: Engines are stamped with a source, production date and type on serial pad.

1965

"327"—8 CYLINDER

Manual Transmission	HE	Powerglide	HO
High Performance	HF	Powerglide and High Performance	HP
Fuel Injection	HG	Powerglide and C.A.C.	HQ
Spec. High Performance	HH	Powerglide; High Performance and C.A.C.	HR
C.A.C.	HI	Spec. High Performance and Hyd. Lifters	HT
High Performance and C.A.C.	HJ	Spec. High Performance, Hyd. Lifters and C.A.C.	HU
Spec. High Performance and C.A.C.	HK	Spec. High Performance Hyd. Lifters and Transistor-Ignition	HV
Transistor Ignition	HL	Spec. High Performance Hyd. Lifters, Transistor Ignition and C.A.C.	HW
Transistor Ignition and C.A.C.	HM		
Fuel Injection and Transistor Ignition	HN		

CORVETTE ENGINE SERIES NUMBER AND SUFFIX CHART (Cont.)

V8

1965

"396"—8 CYLINDER

Description	Type Designation	Description	Type Designation
Spec. High Performance	IF		

Note: Engines are stamped with a source, production date and type on serial pad.

1966

"327"—8 CYLINDER

Manual Trans.	HE	Powerglide	HO
A.I.R.	HF	Special High Performance	HT
A.I.R. and Powerglide	HR	Power Steering	HP
Special High Performance and A.I.R.	HD	Special High Performance, C.A.C. and A.I.R.	KH

"427"—8 CYLINDER

Special High Performance (Hyd. Lifters)	IK	Special High Performance	IP
High Performance	IL	Powerglide	IQ
A.I.R.	IM	Powerglide and A.I.R.	IR

Type Designations for some engines will be followed by an R (Rochester) or H (Holly - Carter) to designate Carburetor requirements.

1967

"327"—8 CYLINDER

Manual Trans.	HE	Powerglide	HO
A.I.R.	HH	Special High Performance	HT
A.I.R. and Powerglide	HR	Power Steering, Special High Performance and C.A.C.	HP
Special High Performance and A.I.R.	HD	Special High Performance, C.A.C. and A.I.R.	KH

"427"—8 CYLINDER

4-Speed or Powerglide	IL	A.I.R. and Aluminum Heads	JH
Tri. Carb.	JC	Powerglide	IQ
Special High Performance and Tri. Carb.	JE	Powerglide and Tri. Carb.	JD
Heavy Duty	IT	A.I.R. and Powerglide	IR
Aluminum Heads	IU	A.I.R. Powerglide and Tri. Carb.	JG
A.I.R.	IM	A.I.R. Special High Performance and Tri. Carb.	JA
A.I.R. and Tri. Carb.	JF		

1968

"327"—8 CYLINDER

Manual Trans.	HE	Hyd. Steering and C.A.C.	HP
3-Speed Automatic Trans.	HO	Special High Performance	HT

CORVETTE ENGINE SERIES NUMBER AND SUFFIX CHART (Cont.)

1968

"427"-8 CYLINDER

Description	Type Designation	Description	Type Designation
High Performance	IL	Special High Performance, Tri. Carb.	IR
High Performance and Tri. Carb.	IM	Heavy Duty	IT
High Performance, Tri. Carb. and 3-Speed Automatic Trans.	IO	Special High Performance, Tri. Carb. and Aluminum Heads	IU
3-Speed Automatic Trans.	IQ		

1969

"350"-8 CYLINDER

High Performance	IV	Manual Trans.	HY
High Performance C.A.C.	IX	3-Speed Automatic Trans. T.H. 400	HZ

"427"-8 CYLINDER

High Performance 3-Speed Automatic Trans. T.H. 400	LL	Tri-Carb. Special High Performance Heavy Duty Clutch	LT
High Performance	LM	Aluminum Heads Heavy Duty Clutch	LU
Tri-Carb. High Performance 3-Speed Automatic Trans. T.H. 400	LN	Heavy Duty 3-Speed Automatic Trans. T.H. 400	LV
Heavy Duty	LO	Aluminum Heads 3-Speed Automatic Trans. T.H. 400	LW
Aluminum Heads	LP	Tri-Carb. Special High Performance 3-Speed Automatic Trans. T.H. 400	LX
Tri-Carb. High Performance	LQ		
Tri-Carb. Special High Performance	LR		

1970

"350"-8 CYLINDER

Manual Trans.	CTL	High Performance, Transistor Ignition, C.A.C.	CTO
3-Speed Automatic T.H. 400	CTM	Special High Performance	CTR
High Performance	CTN	Special High Performance, Transistor Ignition	CTU
High Performance, C.A.C.	CTO	Special High Performance, Transistor Ignition, 4-Speed	CTV
High Performance, Transistor Ignition	CTP		

"454"-8 CYLINDER

High Performance, 4-BBL, 3-Speed Automatic T.H. 400	CGW	4-BBL, Heavy Duty, 3-Speed Automatic T.H. 400	CZN
High Performance, 4-BBL	CZU	High Performance, 4-BBL, Transistor Ignition	CRI
4-BBL, Heavy Duty	CZL		

CORVETTE ENGINE SERIES NUMBER AND SUFFIX CHART (Cont.)

V10

1971

"350"—8 CYLINDER

Description	H.P.	Type Designation
4-Speed Trans.	270	CJL
T.H. 400	270	CGT
4-Speed Trans.	330	CGZ
T.H. 400	330	CJK
H.D. 4-Speed Trans.	330	CGY

"454" — 8 CYLINDER

T.H. 400	365	CPJ
4-Speed Trans.	365	CPH
4-Speed Trans.	425	CPW
T.H. 400	425	CPX

1972

"350" — 8 CYLINDER

Base-4-Speed	CKW	LT1-4 Speed	CKY
Base-4-Speed w/NB2	CDH	LT1 H.D. 4-Speed	CKZ
Base-T.H. 400	CKX	LT1-4 Speed w/A.I.R.	CRT
Base-T.H. 400 w/NB2	CDJ	LT1-T.H. 400 w/A.I.R.	CSR

454 - 8 CYLINDER

LSE-4-Speed	CPH	LS5 w/A.I.R.	CSR
LS5-T.H. 400	CPJ	LS5 w/A.I.R.	CSS

1973-74

350 CID

Manual Trans. (L48)	CKZ	T.H. 400 (L48) w/NB2	CLC
T.H. 400	CLA	Manual Trans. (L82) w/NB2 (1973)	CLS
Manual Trans. (L62)	CLR	T.H. 400 (L82)	CLD
Manual Trans. (L48) w/NB2	CLB	T.H. 400 (L82) w/NB2 (1973)	CLH

454 CID

T.H. 400 w/NB2	CWS	Manual Trans.	CWM
Manual Trans. w/NB2 (1973)	CWT	T.H. 400	CWF

1975

350 CID

M.T.	CHA	M.T. w/Sp. HiPer.	CHC
A.T. w/Fed.	CHB	A.T. w/Calif., Sp. HiPer.	CHR
A.T. w/Calif.	CHZ	A.T. w/Fed., Sp. HiPer.	CKC
4-Spd.	CRJ	4-Spd. (HiPer.)	CUT
T.H. 400	CRK	4-Spd.	CUA
4-Spd. (HiPer.)	CRL	4-Spd.	CUB
T.H. 400 (HiPer.)	CRM	4-Spd. (HiPer.)	CUD

CORVETTE ENGINE SERIES NUMBER AND SUFFIX CHART (Cont.)

V11

1976

350 CID

CLM CHC
 CLR CHR
 CLS CKC
 CKW
 CKX
 CLS

1977

350 CID

CKZ CLD
 CLA CLF
 CLB
 CLC
 CHD
 CKD

1978

350L CID — L48 OPT.

VIN-L

Calif. CLR
 Alt. CLS
 A.T. w/Fed. CUT
 M.T. CHW
 CLM

350H CID — L82 OPT.

VIN-H

M.T. CMR
 A.T. CMS

1979

350-8 CID — L48 OPT.

VIN-8

M.T. ZAA
 A.T. w/Fed. ZAB
 Calif. ZAC
 Alt. ZAD

350-4 CID — L82 OPT.

VIN-4

M.T. ZBA
 A.T. ZBB

1980

350-H (LG4) A.T. ZCA
 350-8 (L48) M.T. ZAM
 350-8 (L48) A.T. ZAK
 350-6 (L82) M.T. ZBD
 350-6 (L82) A.T. ZBC

1981

350-6 (L81) M.T., Fed. ZDA
 350-6 (L81) A.T., Calif. ZDB
 350-6 (L81) M.T., Calif. ZDC
 350-6 (L81) A.T., Fed. ZDD

1982

350-8 (L83) w/A.T., Fed. ZBA
 350-8 (L83) w/A.T., Calif. ZBC
 350-8 (L83) w/Calif. ZFN

1978 TRANSMISSION IDENTIFICATION CODES

M20 — 4 SPD. MAN.

ZU S6

M21 — 4 SPD. MAN.

ZW

M38 — 3 SPD. AT.

5WB 5TL

1979 TRANSMISSION IDENTIFICATION CODES

M20 — 4 SPD. MAN.

UH
 (Warner)

M21 — 4 SPD. MAN.

UK
 (WARNER)

M38 — 3 SPD. A.T.

TB WB

CORVETTE ENGINE SERIES NUMBER AND SUFFIX CHART (Cont.)

1980 TRANSMISSION IDENTIFICATION CODES

M18 — 4 SPD. MAN. ZJ
M33 — 3 SPD. A.T. JC (BUICK)
MV4 — 3 SPD. A.T. TW (CHEV.)

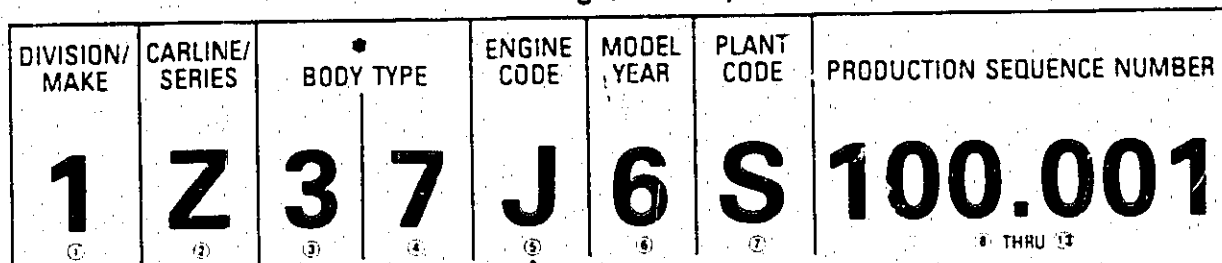
1981 TRANSMISSION IDENTIFICATION CODE

M18-4 SPD. MAN. MX3 — 3 SPD. A.T.
CC 8JD

1982 TRANSMISSION IDENTIFICATION CODE

MD8-4 SPD. A.T.
YA

1976 General Motors Passenger Car Vehicle Identification Numbering (VIN) System



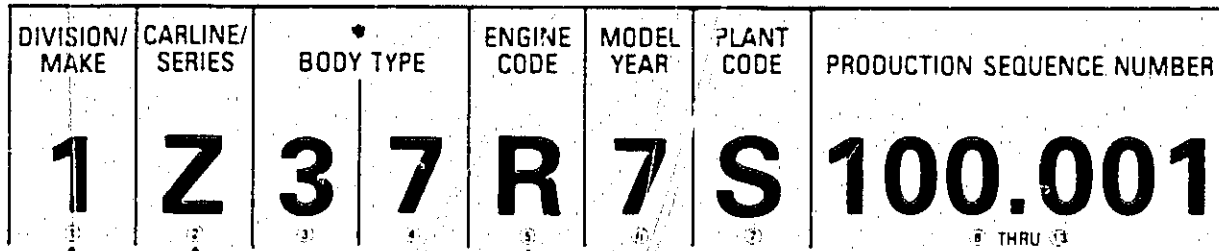
DIVISION CODE/MAKE
1 - Chevrolet
2 - Pontiac
3 - Oldsmobile
4 - Buick
5 - GMC Truck
6 - Cadillac
7 - GM of Canada
8 - GM Overseas

CAR LINE/SERIES		
CHEVROLET (Code 1) B - Chevette C - Malibu, El Camino D - Malibu Classic, El Camino Classic F - Laguna S3 G - Malibu Classic Estate H - Monte Carlo S J - Chevette L - Impala M - Monza N - Caprice Q - Camaro R - Monza 2+ 2 S - Camaro LT V - Vega X - Nova Y - Nova Custom Z - Corvette PONTIAC (Code 2) C - Astra, Astra Safari D - LeMans, LeMans Safari F - LeMans Sport Coupe G - Grand LeMans, Grand LeMans Safari J - Grand Prix K - Grand Prix LJ L - Catalina, Catalina Safari M - Sunbird P - Grand Safari R - Bonneville S - Firebird T - Firebird Esprit U - Firebird Formula W - Firebird Trans Am Y - Ventura Z - Ventura SJ	CADILLAC (Code 8) B - Fleetwood Brougham C - Catais D - DeVille F - Fleetwood L - Eldorado S - Seville Z - Commercial Chassis OLDSMOBILE (Code 3) B - Omega D - Starfire "SX" E - Omega Brougham G - Cutlass S H - Cutlass Supreme Cruiser J - Cutlass Supreme Vista Cruiser K - Cutlass Salon L - Delta 88 M - Cutlass Supreme Brougham N - Delta 88 Royale O - Custom Cruiser R - Custom Cruiser S - Omega F85 T - Starfire V - Ninety Eight Luxury X - Ninety Eight Regency Y - Toronado Custom Z - Toronado Brougham	BUICK (Code 4) B - Skylark C - Skylark SR D - Century E - Century Special H - Century Custom J - Regal K - Century Custom Wagon L - LeSabre P - LeSabre Custom R - Estate Wagon S - Skyhawk T - Skyhawk S V - Electra 225 W - Skylark "S" X - Electra Limited Z - Riviera

ENGINE CODES			
CODE	TYPE-C.I.D.	HHP	CARR. DV.
A	L4-140	70	1B 1-2
B	L4-140	84	2B 1-2-3
C	V6-231	105	2B 2-3-4
D	L6-250	100	1B 1-2-3
E	L4-97.6 (1.6 Litre)	60	1B 1
F	V8-260	110	2B 2-3-4
G	V8-262	110	2B 1
H	V8-350	140	2B 2-3-4
I	L4-85 (1.4 Litre)	52	1B 1
J	V8-350	155	4B 2-3-4
L	V8-350	165	4B 1
	V8-350	180	4B 1
M	V8-350	160	2B 2
N	V8-400	170	2B 2
O	L4-122	110	EFI 1
P	V8-350	165	4B 2
Q	V8-305	140	2B 1
R	V8-350	170	4B 3
	V8-350	180	EFI 6
S	V8-455	215	4B 3
	V8-454	225	4B 1
	V8-500	190	4B 6
	V8-500	215	EFI 6
T	L6-292	120	1B 1
	V8-455	190	4B 3
U	V8-400	175	4B 1
V	V8-350	145	1B 1
W	V8-455	200	4B 2
X	V8-350	210	4B 1
Y	V8-455	205	4B 4
Z	V8-400	185	4B 2

*Body Type - See Model Chart

1977 General Motors Passenger Car Vehicle Identification Numbering (VIN) System



DIVISION CODE/MAKE
1 - Chevrolet
2 - Pontiac
3 - Oldsmobile
4 - Buick
5 - GMC Truck
6 - Cadillac
7 - GM of Canada
8 - GM Overseas

CAR LINE SERIES		
CHEVROLET (Code 1) B - Chevette C - Malibu, El Camino D - Malibu Classic, El Camino Classic H - Monte Carlo J - Chevette "Scooter" K - Bel Air (Canada) L - Impala M - Monza Towne Coupe N - Caprice Classic O - Camaro R - Monza Hatchback Coupe S - Camaro LT V - Vega X - Nova Y - Nova Concours Z - Corvette PONTIAC (Code 2) C - Astro D - LeMans, LeMans Sport F - LeMans Sport G - Gran LeMans, Grand LeMans Safari H - Grand Prix SJ J - Grand Prix K - Grand Prix IJ L - Catalina, Catalina Safari M - Sunbird N - Bonneville - Grand Safari O - Bonneville Brougham S - Firebird T - Firebird Esprit U - Firebird Formula W - Firebird Trans Am Y - Ventura Z - Ventura SJ	CADILLAC (Code 4) B - Fleetwood Brougham D - DeVille F - Fleetwood Limo L - Eldorado S - Seville Z - Commercial Chassis OLDSMOBILE (Code 3) F - Omega D - Starfire "SX" E - Omega Brougham G - Cutlass S H - Vista Cruiser J - Cutlass Supreme K - Cutlass Salon L - Delta 88 M - Cutlass Supreme Brougham N - Delta 88 Royale Q - Custom Cruiser Wagon S - Omega F85 T - Starfire V - Ninety Eight Luxury W - Toronado XSR X - Ninety Eight Regency Z - Toronado Brougham	BUICK (Code 4) B - Skylark C - Skylark SR D - Century E - Special F - LeSabre Sport Coupe H - Century Custom J - Regal K - Century Custom Wagon N - LeSabre P - LeSabre Custom R - Estate Wagon S - Skyhawk T - Skyhawk S U - Opel V - Electra 225 W - Skylark "S" X - Electra Limited Z - Riviera GM CANADA ONLY (Code 7) B - Acadian J - Acadian S K - Laurentian N - Parisienne GMC TRUCK & COACH (Code 5) C - Sprint D - Sprint Classic

ENGINE CODES				
CODE	DISP	NMP	CARR	DIV.
A	231	NA	2 4	
B	140	84	2 1,2,3	
B	111	80	2 4	
C	231	105	2 2,3,4	
D	250	110	1 1,5,7,2*	
E	98	63	1 1,7	
F	260	110	2 3	
G	350	140	2 3	
H	350	140	2 4	
I	85	57	1 1,7	
J	350	155	4 4	
K	403	185	4 2,3,4	
L	350	170	4 1,2,3,4,5,7	
L	350	180	4 1	
P	350	170	4 2	
R	350	180	EFI 6	
R	350	170	4 2,3,4	
S	425	180	4 6	
T	425	195	EFI 6	
U	305	145	2 1,2,3,4,5,7	
V	151	87	2 2	
X	350	210	4 1	
Y	301	135	2 2,4	
Z	400	180	4 2	
*CANADIAN PONTIAC				

*Body Type - See Model Chart

1978 General Motors Passenger Car Vehicle Identification Numbering (VIN) System

DIVISION/ MAKE	CAR LINE/ SERIES	BODY TYPE		ENGINE CODE	MODEL YEAR	PLANT CODE	PRODUCTION SEQUENCE NUMBER
1	Z	3	7	R	8	S	100.001
①	②	③	④	⑤	⑥	⑦	⑧ THRU ⑩

DIVISION CODE/MAKE
1 - Chevrolet
2 - Pontiac
3 - Oldsmobile
4 - Buick
5 - GMC Truck
6 - Cadillac
7 - GM of Canada
8 - GM Overseas

CAR LINE/SERIES	
CHEVROLET (Code 1)	OLDSM & BUICK (Code 3)
B - Chevette	B - Omega
J - Chevette "Scooter"	D - Starfire "SX"
K - Bel Air (Canada)	c - Omega Brougham
L - Impala	G - Cutlass Salon
M - Monza - Monza S	H - Cutlass Cruiser
N - Caprice Classic	J - Cutlass Salon Brougham
O - Camaro	K - Cutlass Calais
R - Monza 2+2	L - Delta 88
L - Monza Sport	M - Cutlass Supreme Brougham
S - Camaro LT	N - Delta 88 Royale
T - Malibu	O - Custom Cruiser
W - Malibu Classic	R - Cutlass Supreme Starfire
EI Camino	V - Ninety Eight Luxury
X - Nova	X - Ninety Eight Regency
Y - Nova Custom	Z - Toronado Brougham
Z - Corvette	
Z - Monte Carlo	
PONTIAC (Code 2)	BUICK (Code 4)
D - LeMans	B - Skylark
E - Sunbird	C - Skylark Custom
F - Grand LeMans	E - Century Special
G - Gran Am	F - LeSabre Sport Coupe
H - Grand Prix SJ	G - Century Sport Coupe
J - Grand Prix	H - Century Custom
K - Grand Prix LJ	J - Regal
L - Catalina	K - Regal Sport Coupe
M - Sunbird Sport	L - Century Limited
N - Bonneville - Grand Safari	M - Regal Limited
O - Bonneville Brougham	N - LeSabre
S - Firebird	P - LeSabre Custom
T - Firebird Exprit	R - Estate Wagon
U - Firebird Formula	S - Skyhawk
W - Firebird Trans Am	T - Skyhawk S
Y - Phoenix	T - Opel
Z - Phoenix LJ	U - Electra Park Ave.
CADILLAC (Code 6)	V - Electra 225
B - Fleetwood Brougham	W - Opel Sport
D - DeVille	W - Skylark "S"
F - Fleetwood Limo	X - Electra Limited
L - Eldorado	Y - Opel Deluxe
S - Seville	Z - Riviera
Z - Commercial Chassis	
	GM CANADA ONLY (Code 7)
	B - Acadian
	J - Acadian S
	K - Laurentian
	N - Parisienne
	GMC TRUCK & COACH (Code 5)
	W - Cabellero

ENGINE CODES					
CODE	DISP	HP	CARB	DIV/USAGE	PROD. DIV.
A	231	105	2	1,2,3,4,5	4
B	350	180	EFI	6	6
B#	111				0
C (3.2L)	196		2	1,4	4
D	250	110	1	1,2,*	1
E (1.6L)	98	63	1	1,7	1
F	260	110	2	3	3
G (3.9L)	231		2	4	4
H	305		4	1,2,3,4	1
J (1.6L)	98		1	1,7	1
K	403	185	4	2,3,4	3
L	350	170	4	1,2,3,4,5,7	1,7
M (3.3L)	200		2	1,5,2*	1
N (5.7L)	350		DIESEL	3,6	3
R	350	170	4	2,3,4	3
S	425	180	4	6	6
T	425	190	EFI	6	6
U	305	145	2	1,2,3,4,5,7	1,7
V	151	87	2	1,2,3	2
W	301		4	2	2
X	350	155	4	2,4	4
Y	301	135	2	2,4	2
Z	400	180	4	2,4	2
1	151		2	1,2,3	2
2	231		2	4	4
3 (3.8L)	231		4	4	4
4	350		4	1	1

*Canadian
#Opel Isuzu

*Body Type - See Model Chart

1979 General Motors Passenger Car Vehicle Identification Numbering (VIN) System

DIVISION/ MAKE	CARLINE/ SERIES	BODY TYPE		ENGINE CODE	MODEL YEAR	PLANT CODE	PRODUCTION SEQUENCE NUMBER
1	Z	3	7	R	9	S	100.001
		1	2	3	4	5	6 THRU 13

DIVISION CODE MAKE
1 - Chevrolet
2 - Pontiac
3 - Oldsmobile
4 - Buick
5 - GMC Truck
6 - Cadillac
7 - GM of Canada
8 - GM Overseas

CAR LINE SERIES	
CHEVROLET (Code 1)	OLDSMOBILE (Code 3)
B - Chevette	H - Omega
J - Chevette Scooter	D - Starline SX
L - Impala	E - Omega Brougham
M - Monza Monza S	G - Cutlass Salon
N - Caprice Classic	H - Cutlass Cruiser Brougham
U - Camaro	J - Cutlass Salon Brougham
R - Monza 2 - 2	K - Cutlass Cabrio
Monza Sport	L - Deva Ke
S - Beretta	M - Cutlass Supreme Brougham
T - Malibu	N - Deva Ke Royale
W - Malibu Classic	O - Custom Cruiser
El Camino	H - Cutlass Supreme
X - Nova	T - Starline
Y - Nova Custom	V - Ninety Eight Luxury
Z - Corvette	X - Ninety Eight Regency
Z - Monte Carlo	Z - Tornado Brougham
PONTIAC (Code 2)	BUICK (Code 4)
D - LeMans	B - Skylark
E - Sunbird	C - Skylark Custom
F - Grand LeMans	E - Century Special
G - Grand AM	F - LeSabre Custom Sport Coupe
H - Grand Prix 5.0	G - Century Sport Coupe
J - Grand Prix	H - Century Custom
K - Grand Prix LE	J - Regal
L - Catalina	K - Regal Sport Coupe
M - Sunbird Sport	L - GMOD Series
N - Bonneville	M - GMOD Series
O - Grand Sedan	Built Overseas
Q - Bonneville	Built Overseas
Brougham	N - LeSabre
S - Firebird	P - LeSabre Limited
T - Firebird Esprit	R - Estate Wagon
U - Firebird Formula	S - Skyhawk
W	T - Skyhawk
X - Firebird	U - Electra Park Ave
Trans AM	V - Electra 275
Y - Phoenix	W - Skylark "S"
Z - Phoenix LE	X - Electra Limited
CADILLAC (Code 6)	Y - Riviera "S"
B - Fleetwood Brougham	Z - Riviera
D - DeVille	GM CANADA ONLY (Code 7)
F - Fleetwood Limo	B - Acadian
L - Eldorado	J - Acadian S
S - Seville	K - Laurentian
Z - Commercial Chassis	N - Parisienne
GMC TRUCK & COACH (Code 5)	
W - Caballero	

ENGINE CODES						
CODE	DISP	HHP	CARB	DIV	USAGE	PROD
A	231	105	2	1,2,3,4,5		4
B	350	180	EFI	6		6
C (3.2L)	196		2	1,4		4
D	250	110	1	1,2,7		1
E (1.6L)	146	63	1	1,7		1
F	240	110	2	2,3		3
G	305		2	1,2,3,4		1
H	305		4	1,2,3,4		1
I (1.4L)	267		2	1,5		1
K	402	185	4	2,3,4		3
L	350	170	4	1,2,3,4,7		1
M (3.3L)	260		2	1,2		1
N (5.7L)	350		DIESEL	3,6		3
O (1.6L)			2	1,7		1
P (1.3L)	260		DIESEL	3		3
R	350	170	4	2,3,4		3
S	425	180	4	6		6
T	425	195	EFI	6		6
V	151	87	2	1,2,3		2
W	301		4	2,4		2
X	350	155	4	2,4		4
Y	301	135	2	2,3,4		2
Z	400	180	4	2		2
1	151		2	1,2,3		2
2	231		2	1,2,3,4		4
3 (3.8L)	231		4	4		4
4	350		4			1
8	350		4	1		1
9	151		2	1,2,3		2

*Canadian
*Opel Isuzu

*Body Type - See Model Chart

1980 General Motors Passenger Car Vehicle Identification Numbering (VIN) System

DIVISION/ MAKE	CARLINE/ SERIES	BODY TYPE		ENGINE CODE	MODEL YEAR	PLANT CODE	PRODUCTION SEQUENCE NUMBER
1	Z	8	7	H	A	S	100.001
		3	4		6		* THRU **

DIVISION CODE/MAKE
1 - Chevrolet
2 - Pontiac
3 - Oldsmobile
4 - Buick
7 - GMC Truck
8 - Cadillac
9 - GM of Canada
0 - GM Overseas

CAR LINE SERIES	
<p>CHEVROLET (Code 1)</p> <p>H - Chevelle H - Citation Custom J - Chevelle Sport L - Impala M - Monza N - Caprice Classic P - Camaro Sport Coupe R - Monza 2-2 S - Camaro Berlina T - Malibu W - Malibu Classic, El Camino X - Citation Z - Monte Carlo Z - Corvette</p> <p>PONTIAC (Code 2)</p> <p>D - LeMans E - Sunbird F - Grand LeMans G - Grand Am H - Grand Prix SJ J - Grand Prix K - Grand Prix LJ L - Catalina M - Sunbird N - Bonneville R - Bonneville Brougham S - Firebird T - Firebird U - Bonneville Brougham V - Firebird W - Firebird Y - Phoenix Z - Phoenix LJ</p> <p>OLDSMOBILE (Code 3)</p> <p>B - Omega D - Starfire E - Omega Brougham G - Cutlass Salon H - Cutlass Cruiser Brougham J - Cutlass Salon Brougham K - Cutlass Calais L - Delta 88 M - Cutlass Supreme Brougham N - Delta 88 Royale P - Custom Cruiser R - Cutlass Supreme T - Starfire V - Ninety-Eight Luxury X - Ninety-Eight Regency Y - Delta 88 Brougham Z - Toronado</p>	<p>BUICK (Code 4)</p> <p>R - Skylark C - Skylark Limited D - Skylark Sport L - Century L - LeSabre Sport Coupe G - Century Sport Coupe H - Century Custom J - Regal K - Regal Sport Coupe L - Century Limited M - Regal Limited N - LeSabre P - LeSabre Limited R - Estate Wagon S - Skyhawk T - Skyhawk "S" V - Electra Estate W - Electra Park Ave. X - Electra Limited Y - Riviera "S" Type Z - Riviera</p> <p>CADILLAC (Code 5)</p> <p>B - Brougham D - DeVille F - Limousine L - Eldorado S - Seville Z - Commercial Chassis</p> <p>GM TRUCK & COACH</p> <p>W - Caballero</p>

ENGINE CODES				
CODE	DISP	CARB	DIV USAGE	PROD DIV
N (1.6L)	98	2	1	1
O (1.6L)	98	2	1	1
R (5.7L)	350	4	2,3,4	2
W (4.9L)	301	4	2,4	2
J (4.4L)	267	2	1,5	1
B (5.7L)	350	EFI	6	6
6 (6.0L)	368	4	6	6
9 (6.0L)	368	TBI	6	6
X (5.7L)	350	4	2,4	4
K (3.8L)	229	2	1,5	1
4 (4.1L)	---	4	4	4
3 (3.8L)	231	4	1,3,4	4
A (3.8L)	231	2	1,2,3,4,5	4
7 (2.8L)	173	2	1,2,3,4	1
N (5.7L)	350	DIESEL	1,2,3,4,6	3
H (5.0L)	305	4	1,2,3,4,5	1
L (5.7L)	350	4	1	1
S (4.3L)	---	2	2,3	2
T (4.9L)	---	4	2	2
Y (5.0L)	307	4	3	3
F (4.3L)	269	2	3	3
5 (7.5L)	151	2	1,2,3,4	2
V (2.5L)	151	2	1,2,3	2
6 (5.7L)	350	4	1	1
8 (5.7L)	350	EFI	1	1
8 (5.7L)	295	4	1	1

*Body Type — See Model Chart

1981 General Motors Passenger Car Vehicle Identification Numbering (VIN) System

DIVISION/ MAKE	RESTRAINT SYSTEM TYPE	CARLINE/ SERIES	BODY TYPE		ENGINE CODE	CHECK DIGIT	MODEL YEAR	PLANT CODE	PRODUCT ON SEQUENCE NUMBER
1G1	A	Y	8	7	6	9	B	S	400.001
① ② ③	④	⑤	⑥	⑦	⑧	⑨	⑩	⑪	⑫ THRU ⑰

DIVISION CODE	MAKE
1G1	Chevrolet Passenger
1G2	Pontiac Passenger
1G3	Oldsmobile Passenger
1G4	Buick Passenger
1G6	Cadillac Passenger
1G7	GM of Canada Passenger
1G8	Chevrolet Truck
1G9	GMC Truck
J8Z*	Chevrolet Truck
1G8	Chevrolet MPV
1G5	GMC Truck MPV

(See Note)
*GM merchandised vehicles built by Isuzu Motors, Fujisawa Japan

CAR LINE/SERIES	
CHEVROLET (Code 1) B — Chevette J — Chevette Scooter L — Impala N — Caprice Classic P — Camaro Sport Coupe S — Camaro Berlinette T — Malibu W — Malibu Classic, El Camino X — Citation Z — Monte Carlo Y — Corvette PONTIAC (Code 2) D — LeMans F — Grand LeMans J — Grand Prix K — Grand Prix LJ L — Catalina N — Bonneville P — Grand Prix Brougham R — Bonneville Brougham S — Firebird T — Firebird Esprit Lux V — Firebird Formula W — Firebird Trans Am Y — Phoenix Z — Phoenix LJ OLDSMOBILE (Code 3) B — Omega E — Omega Brougham G — Cutlass Salon H — Cutlass Cruiser Brougham K — Cutlass Calais L — Delta 88 M — Cutlass Supreme Brougham N — Delta 88 Royale P — Custom Cruiser R — Cutlass Supreme V — Ninety-Eight Luxury X — Ninety-Eight Regency Y — Delta 88 Brougham Z — Toronado	BUICK (Code 4) B — Skylark C — Skylark Limited D — Skylark Sport E — Century F — LeSabre Sport Coupe H — Century Custom J — Regal K — Regal Sport Coupe L — Century Limited M — Regal Limited N — LeSabre P — LeSabre Limited R — Estate Wagon V — Electra Estate W — Electra Park Ave. X — Electra Limited Y — Riviera "S" Type Z — Riviera CADILLAC (Code 6) B — Brougham D — DeVille F — Limousine L — Eldorado S — Seville Z — Commercial Chassis GMC TRUCK & COACH W — Cabellero

ENGINE CODES				
CODE	DISP	CARR	DIV/USAGE	PROD. DIV.
9 (1.8L)	98	2	1	1
W (4.9L)	301	1	2,4	2
J (4.4L)	267	2	1,2,3,4,5	1
9 (6.0L)	368	EFI	6	6
X (2.8L)	173	2	1,2,3,4	1
K (3.8L)	229	2	1,2,5	1
4 (4.1L)	252	4	3,4,6	4
3 (3.8L)	231	4	1,3,4	4
A (3.8L)	231	2	1,2,3,4,5	4
Z (2.8L)	173	2	1,2	1
N (5.7L)	350	DIES	1,2,3,4,6	3
H (5.0L)	307	4	1,2,3,4,5	1
L (5.7L)	350	4	1	1
S (4.3L)	—	2	2,4	2
T (4.9L)	—	4	2	2
Y (5.0L)	307	4	2,3,4	3
F (4.3L)	260	2	3	3
5 (2.5L)	151	2	1,2,3,4	2
6 (5.7L)	350	4	1	1
B (5.7L)	350	4	4	4
D (1.8L)	—	DIES	1	1

RESTRAINT SYSTEM TYPE	
Code	Restraint System
A	Non Passive Restraint Manual Belts
B	Passive Restraint Automatic Belts
C	Passive Restraint Inflatable Restraints

NOTE: DIVISION/MAKE

1st Position - Country
 1 - United States
 2 - Canada
 J - Japan

2nd Position - Manufacture
 G - General Motors

3rd Position - Division
 1 - Chevrolet
 2 - Pontiac
 3 - Oldsmobile
 4 - Buick
 6 - Cadillac
 7 - Canada
 Z - Isuzu (Luv)

*Body Type — See Model Chart

1982 General Motors Passenger Car Vehicle Identification Numbering (VIN) System

DIVISION/ MAKE	RESTRAINT SYSTEM TYPE	CARLINE/ SERIES	BODY TYPE	ENGINE CODE	CHECK DIGIT	MODEL YEAR	PLANT CODE	PRODUCTION SEQUENCE NUMBER
1G1	A	D	27	G	X	C	7	100.001
① ② ③	④	⑤	⑥ ⑦	⑧	⑨	⑩	⑪	⑫ THRU ⑰

DIVISION CODE	MAKE
1G1	Chevrolet Passenger
1G2	Pontiac Passenger
1G3	Oldsmobile Passenger
1G4	Buick Passenger
1G6	Cadillac Passenger
1G7	GM of Canada Passenger
1GC	Chevrolet Truck
1GT	GMC Truck
JR2*	Chevrolet Truck
1G8	Chevrolet MPV
1G5	GMC Truck MPV
[See Note]	
*GM merchandised vehicles built by Isuzu Motors, Fujisawa Japan	

Code	Restraint System
A	Non Passive Restraint Manual Belts
B	Passive Restraint Automatic Belts
C	Passive Restraint Inflatable Restraints

CAR LINE/SERIES	
CHEVROLET (Code 1) B — Chevette D — Cavalier E — Cavalier (Hatchback) H — Citation J — Chevette Scooter L — Impala N — Caprice Classic P — Camaro Sport Coupe S — Camaro Berlinetta W — Celebrity (19-27) X — Citation Y — Corvette Z — Monte Carlo PONTIAC (Code 2) B — J2000 C — J2000 LE D — J2000 SE F — Pontiac 6000 G — Pontiac 6000 LE J — Grand Prix K — Grand Prix LJ L — T1000 N — Bonneville P — Grand Prix Brougham R — Bonneville Brougham S — Firebird T — Phoenix SJ W — Firebird Trans Am X — Firebird Special Edition Y — Phoenix Z — Phoenix LJ OLDSMOBILE (Code 3) B — Omega C — Firenza D — Firenza E — Omega Brougham G — Cutlass Ciera H — Cutlass Cruiser J — Cutlass Ciera LS K — Cutlass Calais L — Delta 88 M — Cutlass Supreme Brougham (47-69) N — Cutlass Ciera Brougham (19-27) P — Delta 88 Royale R — Custom Cruiser W — 98 Regency Brougham X — 98 Regency Y — Delta 88 Royale Brougham Z — Tornado Brougham	BUICK (Code 4) B — Skylark C — Skylark Limited D — Skylark Sport G — Century Sport H — Century J — Regal K — Regal Sport L — Century Limited M — Regal Limited N — Le Sabre P — Le Sabre Limited R — Le Sabre Estate S — Skyhawk T — Skyhawk Limited V — Electra Estate W — Electra Park Avenue X — Electra Limited Y — Riviera "T" Z — Riviera Luxury CADILLAC (Code 6) B — Fleetwood Brougham D — DeVille F — Fleetwood Limousine G — Cimarron H — Fleetwood Limousine I — Cimarron L — Eldorado S — Seville GMC TRUCK & COACH (Code 5) W — Caballero

ENGINE CODES					
CODE	LITERS	CARB	DIV./USAGE	PROD DIV	
A	3.8L	V6	2	1,2,3,4	4
B	2.0	L4	2	1,3	1
C	1.6	L4	2	1,2	1
D	1.8	L4	Dies	1	1
E	3.0	V6	2	3,4	4
F	2.5	L4	2	1,2	2
G	1.8	L4	2	1,2,3,4,6	1
H	5.0	V8	4	1,2,3,4	1
J	4.4	V8	2	1,2,3,4	1
K	3.8	V6	2	1	1
L	5.7	V8	4	1	1
N	5.7	V8	Dies	1,2,3,4,6	3
R	2.5	L4	TBI	1,2,3,4	2
T	1.3	V6	Dies	1,2,3,4	3
V	4.3	V6	Dies	1,2,3,4	3
X	2.8	V6	2	1,2,3,4	1
Y	5.0	V8	4	3,4	3
Z	2.8	V6	2	1,2,3,4	1
0	1.8	L4	TBI	2,4	2
1	2.8	V6	2	1,2	1
2	2.5	L4	TBI	1,2	2
3	3.8	V6	4	1,4	4
4	4.1	V6	4	2,3,4,6	4
5	2.5	L4	2	1,2,3,4	2
7	5.0	V8	TBI	1	1
8	5.7	V8	TBI	1	1
8	4.3	V8	2	3	3
8	4.1	V8	DFI	6	6
9	6.0	V8	DFI	6	6

NOTE: DIVISION/MAKE

1st Position: Country
 1 — United States
 2 — Canada
 J — Japan

2nd Position: Manufacture
 G — General Motors

3rd Position: Division
 1 — Chevrolet
 2 — Pontiac
 3 — Oldsmobile
 4 — Buick
 6 — Cadillac
 7 — Canada
 Z — Isuzu (Luv)

*Body Type — See Model Chart

CORVETTE BASIC ENGINE DATA & POWER TEAMS

V12

1953

Engine	Cu. In. Displ.	Comp. Ratio	Born	Stroke	Gross H.P.	Net H.P.	Carburetor	Transmission
Corvette 6 cyl.	235	8.0	3-9/16"	3-15/16"	150 @ 4200 RPM	140 @ 4200 RPM	3-Side Draft Single Barrel	Powerglide

1954-1955 (1st Series)

Corvette 6 cyl.	235	8.0	3-9/16"	3-15/16"	150 @ 4200 RPM	140 @ 4200 RPM	3-Side Draft Single Barrel	Powerglide
-----------------	-----	-----	---------	----------	----------------	----------------	----------------------------	------------

1955 (2nd Series)

Corvette 6 cyl.	235	8.0	3-3/4"	3"	155 @ 4200 RPM	140 @ 4000 RPM	3-Side Draft Single Barrel	Powerglide
Corvette 8 cyl.	265	8.0	3-3/4"	3"	195 @ 5000 RPM	180 @ 4800 RPM	4-Barrel	Powerglide
Corvette 8 cyl.	265	8.0	3-3/4"	3"	195 @ 5000 RPM	180 @ 4800 RPM	4-Barrel	3-Speed

1956

Corvette 8 cyl.	265	9.25	3-3/4"	3"	210 @ 5200 RPM	180 @ 4600 RPM	4-Barrel	3-Speed Powerglide
Corvette 8 cyl.	265	9.25	3-3/4"	3"	225 @ 5200 RPM	196 @ 4800 RPM	Dual 4-Barrel	3-Speed Powerglide

1957

Corvette 8 cyl.	283	9.5	3-7/8"	3"	220 @ 4800 RPM	190 @ 4600 RPM	4-Barrel	Close-Ratio Powerglide
Corvette 8 cyl.	283	9.5	3-7/8"	3"	245 @ 5000 RPM	215 @ 4800 RPM	Dual 4-Barrel	Close-Ratio Powerglide
Corvette 8 cyl.	283	9.5	3-7/8"	3"	250 @ 5000 RPM	225 @ 4800 RPM	Fuel Injection	Close-Ratio Powerglide
*Corvette 8 cyl.	283	9.5	3-7/8"	3"	270 @ 6000 RPM	230 @ 6000 RPM	Dual 4-Barrel	Close-Ratio
*Corvette 8 cyl.	283	10.5	3-7/8"	3"	283 @ 6200 RPM	240 @ 5600 RPM	Fuel Injection	Close-Ratio

*MAXIMUM performance engines have special performance-type camshaft, high-speed valve system and mechanical valve lifters. All other engines have hydraulic valve lifters.

CORVETTE BASIC ENGINE DATA & POWER TEAMS (Cont.)

V13

1958

Engine	Cu. In. Displ.	Comp. Ratio	Bore	Stroke	Gross H.P.	Net H.P.	Carburetor	Transmission
Corvette-8 cyl.	283	9.5	3-7/8"	3"	230 @ 4800 RPM	195 @ 4600 RPM	4-Barrel	3-Speed, 4-Speed, PG
Corvette-8 cyl.	283	9.5	3-7/8"	3"	245 @ 5000 RPM	215 @ 4800 RPM	Dual 4-Barrel	3-Speed, 4-Speed, PG
*Corvette-8 cyl.	283	9.5	3-7/8"	3"	270 @ 6000 RPM	230 @ 6000 RPM	Dual 4-Barrel	3-Speed, 4-Speed
Corvette-8 cyl.	283	9.5	3-7/8"	3"	250 @ 5000 RPM	225 @ 4800 RPM	Fuel Injection	3-Speed, 4-Speed, PG
*Corvette-8 cyl.	283	10.5	3-7/8"	3"	290 @ 6200 RPM	245 @ 5600 RPM	Fuel Injection	3-Speed, 4-Speed

*MAXIMUM performance engines have special performance-type camshaft, high speed valve system and mechanical valve lifters. All other engines have hydraulic valve lifters.

1959

Corvette-8 cyl.	283	9.5	3-7/8"	3"	230 @ 4800 RPM	195 @ 4600 RPM	4-Barrel	3 or 4-Speed, PG
Corvette-8 cyl.	283	9.5	3-7/8"	3"	245 @ 5000 RPM	215 @ 4800 RPM	Dual 4-Barrel	3 or 4-Speed, PG
●Corvette-8 cyl.	283	9.5	3-7/8"	3"	270 @ 6000 RPM	230 @ 6000 RPM	Dual 4-Barrel	3 or 4-Speed
Corvette-8 cyl.	283	9.5	3-7/8"	3"	250 @ 5000 RPM	225 @ 4800 RPM	Fuel Injection	3 or 4-Speed, PG
Corvette-8 cyl.	283	10.5	3-7/8"	3"	290 @ 6200 RPM	245 @ 5600 RPM	Fuel Injection	3 or 4-Speed

●NOTE: Includes special performance type camshaft.

1960-1961

Corvette-8 cyl.	283	9.5	3-7/8"	3"	230 @ 4800 RPM	195 @ 4600 RPM	4-Barrel	3 or 4-Speed, PG
Corvette-8 cyl.	283	9.5	3-7/8"	3"	245 @ 5000 RPM	215 @ 4800 RPM	Dual 4-Barrel	3 or 4-Speed, PG
●Corvette-8 cyl.	283	9.5	3-7/8"	3"	270 @ 6000 RPM	230 @ 6000 RPM	Dual 4-Barrel	3 or 4-Speed
Corvette-8 cyl.	283	11.0	3-7/8"	3"	275 @ 5200 RPM	—	Fuel Injection	3 or 4-Speed
●Corvette-8 cyl.	283	11.0	3-7/8"	3"	315 @ 6200 RPM	—	Fuel Injection	3 or 4-Speed

●NOTE: Includes special performance type camshaft

CORVETTE BASIC ENGINE DATA & POWER TEAMS (Cont.)

V14

1962

Engine	Cu. In. Displ.	Comp. Ratio	Bore	Stroke	Gross H.P.	Net H.P.	Carburetor	Transmission
Corvette-8 cyl.	327	10.5	4"	3-1/4"	250 @ 4400 RPM	210 @ 4400 RPM	4-Barrel	3 or 4-Speed, PG
Corvette-8 cyl.	327	10.5	4"	3-1/4"	300 @ 5000 RPM	-	Large 4-Barrel	3 or 4-Speed, PG
Corvette-8 cyl.	327	11.25	4"	3-1/4"	340 @ 6000 RPM	-	Large 4-Barrel	3 or 4-Speed
Corvette-8 cyl.	327	11.25	4"	3-1/4"	360 @ 6000 RPM	-	Fuel Injection	3 or 4 Speed

1963

327-8 cyl.	327	10.5	4"	3-1/4"	250 @ 5000 RPM	210 @ 4400 RPM	4-Barrel	3-SPD., 4-SPD., PG
327-8 cyl.	327	10.5	4"	3-1/4"	300 @ 5000 RPM	-	Large 4-Barrel	3-SPD., 4-SPD., PG
327-8 cyl.	327	11.25	4"	3-1/4"	340 @ 6000 RPM	-	Large 4-Barrel	3-SPD., 4-SPD.
327-8 cyl.	327	11.25	4"	3-1/4"	360 @ 6000 RPM	-	Fuel Injection	3-SPD., 4-SPD.

1964

327-8 cyl.	327	10.5	4"	3-1/4"	250 @ 4400 RPM	210 @ 4400 RPM	4-Barrel	3-SPD., 4-SPD., PG
327-8 cyl.	327	10.5	4"	3-1/4"	300 @ 5000 RPM	-	Large 4-Barrel	3-SPD., 4-SPD., PG
327-8 cyl.	327	11.25	4"	3-1/4"	365 @ 4000 RPM	-	Large 4-Barrel	3-SPD., 4-SPD.
327-8 cyl.	327	11.25	4"	3-1/4"	375 @ 44- 4800 RPM	-	F.I.	3-SPD., 4-SPD.

CORVETTE BASIC ENGINE DATA & POWER TEAMS (Cont.)

V15

1965

Engine	Cu. In. Displ.	Comp. Ratio	Bore	Stroke	Gross H.P.	Net H.P.	Carburetor	Transmission
327-8 cyl.	327	10.5	4"	3-1/4"	250 @ 4400 RPM	210 @ 4400 RPM	4-Barrel	3-SPD., 4-SPD., PG
327-8 cyl.	327	10.5	4"	3-1/4"	300 @ 5000 RPM	-	Large 4-Barrel	3-SPD., 4-SPD., PG
327-8 cyl.	327	11.0	4"	3-1/4"	350 @ 5800 RPM	-	Large 4-Barrel (Hyd. Lifters)	3-SPD., 4-SPD.
327-8 cyl.	327	11.0	4"	3-1/4"	365	-	Large 4-Barrel (Mech. Lifters)	3-SPD., 4-SPD.
327-8 cyl.	327	11.0	4"	3-1/4"	375	-	F.I. (Mech. Lifters)	3-SPD., 4-SPD.
396-8 cyl.	396	11.0	4-3/32"	3-49/64"	425 @ 6400 RPM	-	4-Barrel	4-SPD.

1966

327-8 cyl.	327	10.5	4"	3-1/4"	300 @ 5000 RPM	-	Large 4-Barrel	3-SPD., 4-SPD., PG
327-8 cyl.	327	11.0	4"	3-1/4"	350 @ 5800 RPM	-	Large 4-Barrel (Hyd. Lifters)	3-SPD., 4-SPD.
427-8 cyl.	427	10.25	4-1/4"	3-49/64"	390 @ 5400 RPM	-	Large 4-Barrel (Hyd. Lifters)	4-SPD.
427-8 cyl.	427	11.0	4-1/4"	3-49/64"	425 @ 6400 RPM	-	F.I. (Mech. Lifters)	4-SPD.

1967

Turbo-Fire 327-8 cyl.	327	10.25	4"	3-1/4"	300 @ 5000 RPM	-	4-Barrel	3-SPD., 4-SPD., PG
Turbo-Fire 327-8 cyl.	327	11.0	4"	3-1/4"	350 @ 5800 RPM	-	4-Barrel	3-SPD., 4-SPD.
Turbo-Jet 427-8 cyl.	427	10.25	4-1/4"	3-49/64"	-	-	4-Barrel	3-SPD., 4-SPD., TH
Turbo-Jet 427-8 cyl.	427	10.25	4-1/4"	3-49/64"	-	-	4-Barrel	3-SPD., 4-SPD., PG
Turbo-Jet 427-8 cyl.	427	10.25	4-1/4"	3-49/64"	-	-	3 x 2 Barrel	4-SPD., PG
Turbo-Jet 427-8 cyl.	427	11.0	4-1/4"	3-49/64"	-	-	3 x 2 Barrel (Mech. Lifters)	4-SPD.

MICROFICHE INDEX
GROUPS 0.000 THRU 2.000 & 21.000
FICHE 1 OF 6

GROUP DESCRIPTION	STARTING GRID LOCATION	
	PARTS	ILLUSTRATIONS
- INTRODUCTION	A-6	J-2
- GENERAL INFORMATION	A-2	J-2
-- ALPHABETICAL INDEX	C-11	N.A.
- INDEX FOR ADDITIONAL INFORMATION	A-5	N.A.
0.000 ENGINE - CLUTCH	D-12	J-6
1.000 COOLING - GRILLE - OIL SYSTEM	E-11	K-15
2.000 CHASSIS WIRING - LAMPS	G-13	L-7
21.000 ACCESSORY REFERENCE LIST	D-9	N.A.
- OUT OF FICHE CALLS	N.A.	N-2

B-1

CORVETTE BASIC ENGINE DATA & POWER TEAMS (Cont.)

1968

Engine	Cu. In. Displ.	Comp. Ratio	Bore	Stroke	Gross H.P.	Net H.P.	Carburetor	Transmission
Turbo-Fire 327-8 cyl.	327	10.0	4"	3-1/4"	300 @ 5000 RPM	-	4-Barrel	3-SPD., 4-SPD., TH
Turbo-Fire 327-8 cyl.	327	11.0	4"	3-1/4"	350 @ 5800 RPM	-	4-Barrel	4-SPD.
Turbo-Jet 427-8 cyl.	427	10.25	4-1/4"	3-49/64"	385 @ 5200 RPM	-	4-Barrel	3-SPD., 4-SPD., TH
Turbo-Jet 427-8 cyl.	427	10.25	4-1/4"	3-49/64"	400 @ 5400 RPM	-	3 x 2 Barrel	4-SPD., TH
Turbo-Jet 427-8 cyl.	427	11.0	4-1/4"	3-49/64"	435 @ 5800 RPM	-	3 x 2 Barrel (Mech Lifters)	4-SPD.

1969

Turbo-Fire 350-8 cyl.	350	10.25	4.0"	3-31/64"	300 @ 4800 RPM	-	4-Barrel	3-SPD., 4-SPD., PG T.H.
Turbo-Fire 350-8 cyl.	350	11.0	4.0"	3-31/64"	350 @ 5600 RPM	-	4-Barrel	4-SPD.
Turbo-Jet 427-8 cyl.	427	10.25	4-1/4"	3-49/64"	390 @ 5400 RPM	-	4-Barrel	3-SPD., 4-SPD., TH400
Turbo-Jet 427-8 cyl.	427	10.25	4-1/4"	3-49/64"	400 @ 54 RPM	-	3 x 2 Barrel	4-SPD., TH400
Turbo-Jet 427-8 cyl.	427	12.5	4-1/4"	3-49/64"	430 @ 5200 RPM	-	4-Barrel	4-SPD., TH400
Turbo-Jet 427-8 cyl.	427	11.0	4-1/4"	3-49/64"	435 @ 5800 RPM	-	3 x 2 Barrel	4-SPD., TH400

1970

Engine	Cu. In. Displ.	Comp. Ratio	Bore	Stroke	Gross H.P.	Carburetor	Transmission
Turbo-Fire 350-V-8	350	10.25	4.0"	3-31/64"	300 @ 4800 RPM	4-Barrel	3-SPD., 4-SPD., T.H.
Turbo-Fire 350-V-8	350	11.00	4.0"	3-31/64"	350 @ 5600 RPM	4-Barrel	4-SPD., 4-SPD. Close Ratio, T.H.
Turbo-Fire 350-V-8	350	11.00	4.0"	3-31/64"	370 @ 6000 RPM	4-Barrel	4-SPD., H.D. 4-SPD. 4-SPD., Close Ratio
Turbo-Jet 454-V-8	454	10.25	4.0"	4.0"	390 @ 4800 RPM	4-Barrel	4-SPD., 4-SPD., Close Ratio, T.H. 400
Turbo-Jet 454-V-8	454	12.25	4-1/4"	4.0"	465 @ 5200 RPM	4-Barrel	H.D. 4-SPD.

1971

Turbo-Fire 350-V-8	350	8.5:1	4.0"	3-31/64"	270 @ 4800 RPM	4-Barrel	4-SPD., T.H.
Turbo-Fire 350-V-8	350	9:1	4.0"	3-31/64"	330 @ 5600 RPM	4-Barrel	4-SPD., H.D. 4-SPD. 4-SPD., Close Ratio
Turbo-Jet 454-V-8	454	8.5:1	4-1/4"	4.0"	365 @ 4800 RPM	4-Barrel	4-SPD. 4-SPD., Close Ratio, T.H. 400
Turbo-Jet 454-V-8	454	9:1	4-1/4"	4.0"	475 @ 5600 RPM	4-Barrel	H.D. 4-SPD., T.H. 400

CORVETTE BASIC ENGINE DATA & POWER TEAMS (Cont.)

1972-74

Engine	Cu. In. Disp.	Comp. Ratio	Bore	Stroke	Carburetor	Transmission
Turbo-Fire 350-V-8	350	8.5:1	4.0"	3-31/64"	4-Barrel	4-Spd., T.H. 400
Turbo-Fire 350-V8	350	9:1	4.0"	3-31/64"	4-Barrel	4-Spd., 4-Spd. Close Ratio H.D. 4-Spd.
Turbo-Jet 454-V8	454	8.25:1	4-1/4"	4.0"	4-Barrel	4-Spd., 4-Spd. Close Ratio, T.H. 400

1975-77

Engine	Cu. In. Disp.	Comp. Ratio	Bore	Stroke	Carburetor	Transmission
Turbo-Fire 350 V-8	350	8.5:1	4.0"	3-31/64"	4-Barrel	4-Spd., T.H. 400 T.H. 350
Turbo-Fire 350 V-8	350	9.0:1	4.0"	3-31/64"	4-Barrel	4-Spd., 4-Spd., Close Ratio T.H. 400

1978-79

Engine	Cu. In. Disp.	Comp. Ratio	Bore	Stroke	Carburetor	Transmission
Turbo Fire 350 V-8	350	8.5:1	4.0"	3-31/64"	4-Barrel	4-Spd., T.H. 350
Turbo Fire 350 V-8	350	9.0:1	4.0"	3-31/64"	4-Barrel	4-Spd. Close Ratio, T.H. 350

1980

Engine	Cu. In. Disp.	Comp. Ratio	Bore	Stroke	Carburetor	Transmission
*305 V-8	305	8.5:1	3.736	3.480	4-Barrel	M33 Auto.
Turbo-Fire 350 V-8	350	9.0:1	4.0"	3-31/64"	4-Barrel	4-Spd. (2.88 Low)

*California

1981

Engine	Cu. In. Disp.	Comp. Ratio	Bore	Stroke	Carburetor	Transmission
Turbo-Fire 350 V-8	350	9.0:1	4.0"	3-31/64"	4-Barrel	4-Spd. (2.88 Low) (M18)

1982

Engine	Cu. In. Disp.	Comp. Ratio	Bore	Stroke	Carburetor	Transmission
Turbo-Fire 350 V-8	350	9.0:1	4.0"	3-31/64"	4-Barrel	4-Spd. A.T. (M08)

CORVETTE REAR AXLE IDENTIFICATION

V18

Axle Identification is stamped on differential carrier along with date of manufacture.

Type	Plant Identification	Type	Plant Identification
1955-58			
3-Speed	AH	3-Speed or 4-Speed w/Metallic Brakes (3.70 ratio)	FJ
Powerglide	AE	3-Speed or 4-Speed w/Positraction and Metallic Brakes (3.70 ratio)	FK
3-Speed w/3.27 ratio	AD	3-Speed or 4-Speed w/Positraction and Metallic Brakes (4.11 ratio)	FL
3-Speed w/4.11 ratio	AJ	3-Speed or 4-Speed w/Positraction and Metallic Brakes (4.56 ratio)	FM
3-Speed w/Positraction (3.70 ratio)	AN		
3-Speed w/Positraction (4.11 ratio)	AP		
3-Speed w/Positraction (4.56 ratio)	AQ		
Heavy Duty Brake & Suspension w/Positraction (3.70 ratio)	AS		
Heavy Duty Brake & Suspension w/Positraction (4.11 ratio)	AT		
Heavy Duty Brake & Suspension w/Positraction (4.56 ratio)	AU		
1959			
3-Speed or 4-Speed	AH	3-Speed (3.36 ratio)	AC
Powerglide	AE	Powerglide (3.55 ratio)	AE
3 or 4 Speed w/Positraction (3.70 ratio)	AN	4-Speed (3.70 Ratio)	AH
3 or 4 Speed w/Positraction (4.11 ratio)	AP	Positraction (3.70 ratio)	AN
3 or 4 Speed w/Positraction (4.56 ratio)	AQ	Positraction (4.11 ratio)	AP
3 or 4 Speed w/H.D. Brake/Susp. and Positraction (3.70 ratio)	AS	Positraction (4.56 ratio)	AQ
3 or 4 Speed w/H.D. Brake/Susp. and Positraction (4.11 ratio)	AT	Positraction (3.36 ratio)	AF
3 or 4 Speed w/H.D. Brake/Susp. and Positraction (4.56 ratio)	AV	Positraction w/H.D. Brake/Susp. (3.70 ratio)	AS
3 or 4 Speed w/Metallic Brakes	FJ	Positraction w/H.D. Brake/Susp. (4.11 ratio)	AT
3 or 4 Speed w/Positraction and Metallic Brakes (3.70 ratio)	FK	Positraction w/H.D. Brake/Susp. (4.56 ratio)	AU
3 or 4 Speed w/Positraction and Metallic Brakes (4.11 ratio)	FL	Metallic Brakes (3.70 ratio)	FJ
3 or 4 Speed w/Positraction and Metallic Brakes (4.56 ratio)	FM	Positraction w/Metallic Brakes (3.70 ratio)	FK
		Positraction w/Metallic Brakes (4.11 ratio)	FL
		Positraction w/Metallic Brakes (4.56 ratio)	FM
1960			
3-Speed or 4-Speed (3.70 ratio)	AH		
Powerglide (3.55 ratio)	AE		
Positraction (3.70 ratio)	AN		
Positraction (4.11 ratio)	AP		
Positraction (4.56 ratio)	AQ		
3-Speed or 4-Speed w/H.D. Brake/Susp. and Positraction (3.70 ratio)	AS		
3-Speed or 4-Speed w/H.D. Brake/Susp. and Positraction (4.11 ratio)	AT		
3-Speed or 4-Speed w/H.D. Brake/Susp. and Positraction (4.56 ratio)	AU		
1961			
		3-Speed (3.36 ratio)	CA
		Positraction (3.36 ratio)	CB
		Positraction (3.55 ratio)	CC
		Positraction (3.70 ratio)	CD
		Positraction (4.11 ratio)	CE
		Positraction (4.56 ratio)	CF
		4-Speed	CG
		w/Metallic Brakes (3.36 ratio)	CH
		w/Metallic Brakes (3.55 ratio)	CJ
		Positraction w/Metallic Brakes (3.36 ratio)	CK
		Positraction w/Metallic Brakes (3.55 ratio)	CL
		Positraction w/Metallic Brakes (3.70 ratio)	CM
		Positraction w/Metallic Brakes (4.11 ratio)	CN
		Positraction w/Metallic Brakes (4.56 ratio)	CP
		Positraction w/H.D. Brake/Susp.	CQ
1962			
		3-Speed (3.36 ratio)	CA
		Positraction (3.36 ratio)	CB
		Positraction (3.55 ratio)	CC
		Positraction (3.70 ratio)	CD
		Positraction (4.11 ratio)	CE
		Positraction (4.56 ratio)	CF
		4-Speed	CG
		w/Metallic Brakes (3.36 ratio)	CH
		w/Metallic Brakes (3.55 ratio)	CJ
		Positraction w/Metallic Brakes (3.36 ratio)	CK
		Positraction w/Metallic Brakes (3.55 ratio)	CL
		Positraction w/Metallic Brakes (3.70 ratio)	CM
		Positraction w/Metallic Brakes (4.11 ratio)	CN
		Positraction w/Metallic Brakes (4.56 ratio)	CP
		Positraction w/H.D. Brake/Susp.	CQ

CORVETTE REAR AXLE IDENTIFICATION (Cont.)

V19

Type	Plant Identification	Type	Plant Identification
1963		Positraction (4.11 ratio)	AP
3-Speed (3.36 ratio)	CA	4-Speed (3.70 ratio)	AS
Positraction (3.08 ratio)	CJ	Positraction (3.08 ratio) "427"	AT
Positraction (3.36 ratio)	CB	Positraction (3.36 ratio) "427"	AU
Positraction (3.55 ratio)	CC	Positraction (3.55 ratio) "427"	AZ
Positraction (3.70 ratio)	CD	Positraction (3.70 ratio) "427"	FA
Positraction (4.11 ratio)	CE	Positraction (4.11 ratio) "427"	FB
Positraction (4.56 ratio)	CF	Positraction (4.56 ratio)	FC
4-Speed (3.08 ratio)	CZ	1968	
4-Speed (3.70 ratio)	CX	(3.36 ratio)	AK
1964		Positraction (3.08 Ratio)	AL
3-Speed (3.36 ratio)	CA	Positraction (3.36 ratio)	AM
Positraction (3.08 ratio)	CJ	Positraction (3.55 ratio)	AN
Positraction (3.36 ratio)	CB	Positraction (3.70 ratio)	AO
Positraction (3.55 ratio)	CC	Positraction (4.11 ratio)	AP
Positraction (3.70 ratio)	CD	(3.70 ratio)	AS
Positraction (4.11 ratio)	CE	Positraction (3.08 ratio) (H.D.)	AT
Positraction (4.56 ratio)	CF	Positraction (3.36 ratio) (H.D.)	AU
4-Spd. (3.08 ratio)	CZ	Positraction (3.08 ratio)	AV
4-Speed (3.70 ratio)	CX	Positraction (3.08 ratio) (H.D.)	AW
1965		1969	
(3.36 ratio)	AK	(3.36 ratio)	AK
Positraction (3.08 ratio)	AL	Positraction (3.08 ratio)	AL
Positraction (3.36 ratio)	AM	Positraction (3.36 ratio)	AM
Positraction (3.55 ratio)	AN	Positraction (3.55 ratio)	AN
Positraction (3.70 ratio)	AO	Positraction (3.70 ratio)	AO
Positraction (4.11 ratio)	AP	Positraction (4.11 ratio)	AP
Positraction (4.56 ratio)	AQ	(3.70 ratio)	AS
(3.08 ratio)	AR	Positraction (3.08 ratio) (H.D.)	AT
4-Speed (3.70 ratio)	AS	Positraction (3.36 ratio) (H.D.)	AU
Positraction (3.08 ratio) "396"	AT	Positraction (3.08 ratio)	AV
Positraction (3.36 ratio) "396"	AU	Positraction (3.08 ratio) (H.D.)	AW
Positraction (3.55 ratio) "396"	AZ	Positraction (2.73 ratio) (H.D.)	AY
Positraction (3.70 ratio)	FA	Positraction (3.55 ratio) (H.D.)	AZ
Positraction (4.11 ratio) "396"	FB	Positraction (3.70 ratio) (H.D.)	FA
Positraction (4.56 ratio) "396"	FC	Positraction (4.11 ratio) (H.D.)	FB
1966		Positraction (4.56 ratio)	FC
(3.36 ratio)	AK	1970	
Positraction (3.08 ratio)	AL	(3.36 ratio)	CAK
Positraction (3.36 ratio)	AM	Positraction (3.08 ratio)	CAL
Positraction (3.55 ratio)	AN	Positraction (3.36 ratio)	CAM
Positraction (3.70 ratio)	AO	Positraction (3.55 ratio)	CAN
Positraction (4.11 ratio)	AP	Positraction (3.70 ratio) 350 H/Per., 4-Speed Closed Ratio	CAO
Positraction (3.08 ratio)	AR	Positraction (4.11 ratio)	CAP
4-Speed (3.70 ratio)	AS	Positraction (3.70 ratio) 350 H/Per., 4-Speed Closed Ratio	CAS
Positraction (3.08 ratio) "396"	AT	Positraction (3.08 ratio)	CAT
Positraction (3.36 ratio) "396"	AU	Positraction (3.36 ratio)	CAU
Positraction (3.55 ratio) "396"	AZ	Positraction (3.08 ratio)	CAV
Positraction (3.70 ratio) "396"	FA	Positraction (3.08 ratio) 4-Speed Automatic	CAW
Positraction (4.11 ratio) "396"	FB	Positraction (2.73 ratio)	CAY
Positraction (4.56 ratio) "396"	FC	Positraction (3.36 ratio) 4-Speed Automatic	CAX
1967		Positraction (3.55 ratio)	CAZ
(3.36 ratio)	AK	Positraction (3.70 ratio)	CFA
Positraction (3.08 ratio)	AL	Positraction (4.11 ratio)	CFB
Positraction (3.36 ratio)	AM	Positraction (4.56 ratio)	CFC
Positraction (3.55 ratio)	AN	Positraction (3.36 ratio)	CLR
Positraction (3.70 ratio)	AO		

NOTE: The four digit number following the type designation will designate the calendar month and data produced.
 NOTE: Plant designation is to be stamped immediately following the production date, "B" Buffalo Plant, "G" Gear and Axle Plant, and "W" Warren Plant.

CORVETTE REAR AXLE IDENTIFICATION (Cont.)

V20

Type	Plant Identification	Type	Plant Identification
1971			
Positraction (3.55 ratio)	AA	Positraction (3.08 ratio)	AW
Positraction (3.70 ratio)	AB	Positraction (3.36 ratio)	AX
Positraction (4.11 ratio)	AC	Positraction (3.36 ratio)	LR
Positraction (4.56 ratio)	AD		
1972-75			
Positraction (3.36 ratio)	AX	Positraction (3.55 ratio)	AA
Positraction (3.36 ratio)	LR	Positraction (3.08 ratio)	AW
Positraction (4.11 ratio)	AC	Positraction (2.73 ratio)	AV
Positraction (3.70 ratio)	AB		
1976-77			
Positraction (3.08 ratio)	OA	Positraction (3.55 ratio)	OB
Positraction (3.36 ratio)	LR-OD	Positraction (3.70 ratio)	OC
1978			
Positraction (3.08 ratio)	OK	Positraction (3.55 ratio)	OH
Positraction (3.36 ratio)	OM	Positraction (3.70 ratio)	OJ
1979			
Positraction (3.36 ratio)	OM	Positraction (3.70 ratio)	OJ
Positraction (3.55 ratio)	OH		
1980			
Positraction (3.07 Ratio)	(LANA)		
1981			
Positraction (2.87 Ratio) w/A.T.	OJ	Positraction (2.72 Ratio) w/M.T.	OK
1982			
Positraction (2.87 Ratio)	(Dana)		

1976 CORVETTE TRIM CHART			
SEAT TRIMS	LEATHER	INTERIOR TRIMS	SEAT RPO
Smoke Gray	152	Smoke Gray 15I	A51
Black	192	Black 19I	A51
Dark Bluegreen	322	Dark Bluegreen 32I	A51
Light Buckskin and Saddle*	642	Light Buckskin 64I and Saddle*	A51
Dark Brown	692	Dark Brown 69I	A51
Dark Firethorn	712	Dark Firethorn 71I	A51
*Custom Interior Not Available			

1977 CORVETTE TRIM CHART				
SEAT TRIMS	CLOTH	LEATHER	INTERIOR TRIMS	SEAT RPO
Smoke Gray	15C	152	Smoke Gray 15I	A51
Black	19C	192	Black 19I	A51
Dark Blue	27C	272	Dark Blue 27I	A51
Light Buckskin	64C	642	Light Buckskin 64I	A51
Dark Brown	69C	692	Dark Brown 69I	A51
Dark Firethorn	72C	722	Dark Firethorn 72I	A51

1978 CORVETTE TRIM CHART				
SEAT TRIMS	CLOTH	LEATHER	INTERIOR TRIMS	SEAT RPO
Oyster White	12C	122	Oyster White 12I	AR7
Black	19C	192	Black 19I	AR7
Midnight Blue	29C	292	Midnight Blue 29I	AR7
Doeskin	59C	592	Doeskin 59I	AR7
Dark Brown	69C	692	Dark Brown 69I	AR7
Medium Red	72C	722	Medium Red 72I	AR7
Saffron	76C	762	Saffron 76I	AR7
Silver Metallic and Smoke Gray Metallic*	15C	152	Silver Metallic and 15I Smoke Gray Metallic	A51
*Available with RPO Z78 Only.				

1979 CORVETTE TRIM CHART				
SEAT TRIMS	CLOTH	LEATHER	INTERIOR TRIMS	SEAT RPO
Oyster White	12C	122	Oyster White 12I	A51
Black		192	Black 19I	A51
Midnight Blue	29C	292	Midnight Blue 29I	A51
Dark Green	49C	492	Dark Green 49I	A51
Doeskin	59C	592	Doeskin 59I	A51
Medium Red		722	Medium Red 72I	A51

1980 CORVETTE TRIM CHART				
SEAT TRIMS	CLOTH	LEATHER	INTERIOR TRIMS	SEAT RPO
Oyster White	12C	122	Oyster White 12I	A51
Black		192	Black 19I	A51
Midnight Blue	29C	292	Midnight Blue 29I	A51
Dark Green		492	Dark Green 49I	A51
Doeskin	59C	592	Doeskin 59I	A51
Red		722	Red 72I	A51
Dark Claret	79C	792	Dark Claret	A51

1981 CORVETTE TRIM CHART				
SEAT TRIMS	CLOTH	LEATHER	INTERIOR TRIM	SEAT RPO
Black	19C	192	Black	A51
Midnight Blue	29C	292	Midnight Blue	A51
Medium Doeskin	64C	642	Medium Doeskin	A51
Medium Red	—	752	Medium Red	A51
Medium Cinnabar	67C	672	Medium Cinnabar	A51
Silver	—	152		

1982 CORVETTE TRIM CHART				
SEAT TRIMS	CLOTH	LEATHER	INTERIOR TRIMS	SEAT RPO
Silver Gray		132	Silver Gray	A51
Charcoal		182	Charcoal	A51
Dark Red	74C	742	Dark Red	A51
Camel	64C	642	Camel	A51
Dark Blue	22C	222	Dark Blue	A51
Silver Green Metallic		402	Silver Green Metallic	A51
Silver Beige Metallic		592	Silver Beige Metallic	A51

1963 CORVETTE PAINT COLORS

R.P.O. No.	Color	PASSENGER CAR EXTERIORS-ACRYLIC			PASSENGER CAR WHEELS-ENAMEL
		Lucite Stock No.	Rinshed-Mason Stock No.	Ditzler Stock No.	Color♦†
916	Daytona Blue	4395-L	A-1539	DDL-12696	Daytona Blue
923	Riverside Red	2931-L	A-1138	DDL-70961	Riverside Red
941	Sebring Silver	867-96417		DDL-32312	Sebring Silver

♦Note: The above surfaces finished in baked enamel. Do not apply acrylic lacquer over the enamel color coat.
†Note: Ditzler color same as body color with DQE prefix.

1964 CORVETTE PAINT COLORS

R.P.O. No.	Color	Lucite Stock No.	Rinshed-Mason Stock No.	Ditzler Stock No.	Color
900	Tuxedo Black	88-L	A-946	DDL-9300	Tuxedo Black
912	Silver Blue	4250-L	A-1481	DDL-12546	Silver Blue
916	Daytona Blue	4395-L	A-1539	DDL-12696	Daytona Blue
923	Riverside Red	2931-LH	A-1138R	DDL-70961	Riverside Red
932	Saddle Tan	4392-L	A-1537	DDL-22269	Saddle Tan
936	Ermine White	4024-L	A-1199	DDL-8259	Ermine White
940	Satin Silver	4247-L	A-1477	DDL-32173	Satin Silver

1965 CORVETTE PAINT COLORS

Chev. Code	Color	Lucite Stock No.	Rinshed-Mason Stock No.	Ditzler Stock No.
A	Tuxedo Black	88-L	A-946	DDL-9300
C	Ermine White	4024-L	A-1199	DDL-8259
FF	Nassau Blue	4690-L	A-1747	DDL-3364
GG	Glen Green	4691-L	A-1745	DDL-3366
MM	Milano Maroon	4689-LM	A-1746M	DDL-3365
QQ	Silver Pearl	4621-L	A-1708	DDL-3314
UU	Rally Red	4688-H	A-1744	DDL-3395
XX	Goldwood Yellow	4530-LH	A-1612	DDL-3231
Y	Crocus Yellow	4620-L	A-1715	DDL-3313

1966 CORVETTE PAINT COLORS

Chev. Code	Color	Lucite Stock No.	Rinshed-Mason Stock No.	Ditzler Stock No.
900	Tuxedo Black	88-L	A-946	DDL-9300
972	Ermine White	4024-L	A-1199	DDL-8259
974	Rally Red	4688-LH	A-1744R	DDL-71491
976	Nassau Blue	4690-L	A-1747	DDL-13057
978	Laguna Blue	4710-L	A-1826	DDL-13188
980	Trophy Blue	4712-L	A-1825	DDL-13199
982	Mosport Green	4713-L	A-1827	DDL-43535
984	Sunfire Yellow	4711-L	A-1828	DDL-81540
986	Silver Pearl	4621-L	A-1708	DDL-32449
988	Milano Maroon	4689-LM	A-1746M	DDL-50706

1967 CORVETTE PAINT COLORS

Chev. Code	Color	Lucite Stock No.	Rinshed-Mason Stock No.	Ditzler Stock No.
900	Tuxedo Black	88	A-946	9300
972	Ermine White	4024-L	A-1199	8259
976	Rally Red	4688-LH	A-1744R	71491
977	Marina Blue	4850-L	A-1920	13364
977	Lynndale Blue	4833-L	A-1912	13348
980	Elkhart Blue	4834-L	A-1911	13347
983	Goldwood Green	4835-L	A-1913	43652
984	Sunfire Yellow	4711-L	A-1828	81540
986	Silver Pearl	4621-L	A-1708	32449
988	Marlboro Maroon	4836-LM	A-1914F	71584

1968 CORVETTE PAINT COLORS

Chev. Code	Color	Lucite Stock No.	Rinshed-Mason Stock No.	Ditzler Stock No.
900	Tuxedo Black	88	A-946	9300
972	Polar White	4714-L	A-2005	8631
974	Rally Red	4688-LH	A-1744R	71491
976	LeMans Blue	4908-L	A-2007	13549
978	International Blue	4909-L	A-2008	13550
983	British Green	4949-L	A-2011	43795
984	Safari Yellow	4906-L	A-2009	81621
986	Silverstone Silver	4907-L	A-2000	8596
988	Cerfivan Maroon	4915-LH	A-2006M	50775
992	Corvette Bronze	4910-LH	A-2010	22969

1969 CORVETTE PAINT COLORS

Chev. Code	Color	Lucite Stock No.	Rinshed-Mason Stock No.	Ditzler Stock No.
900	Tuxedo Black	88-L	A-946	9300
963	Fathom Green	5013-L	A-2102	2079
988	Burgundy	5063-LH	A-2107M	50700
986	Cortez Silver	5032-L	A-2108	2059
976	LeMans Blue	5030-L	A-2109	2083
990	Hugger Orange	5021-LM	A-2111R	2084
984	Daytona Yellow	5026-LH	A-2119	2094
972	Can - Am White	5050-L	A-1802	8631
974	Monza Red	5027-LH	A-2120R	2089
980	Riverside Gold	5029-L	A-2122	2092

1970 CORVETTE PAINT COLORS

Chev. Code	Color	Lucite Stock No.	Rinshed-Mason Stock No.	Ditzler Stock No.
15	Laguna Gray	5134-L	A-2258	2198
27	Bridgeton Blue	5132-L	A-2263	2199
44	Donnybrook Green	5133-L	A-2267D	2200
51	Daytona Yellow	5026-LH	A-2119	2094
62	Ontario Orange	5128-LM	A-2274G	2182
72	Monza Red	5027-LH	A-2120R	2089
77	Marlboro Maroon	5131-LH	A-2280M	71584

1971 CORVETTE PAINT COLORS

Chev. Code	Color	Lucite Stock No.	Rinshed-Mason Stock No.	Ditzler Stock No.
972	Classic White	5040L	A-1802	8631
905	Nevada Silver	5276L	A-2438	2327
976	Mulsanna Blue	5327L	A-2262	2213
979	Bridgeton Blue	5132L	A-2263	2199
983	Brands Hatch Green	5288L	A-2447	2336
912	Sunflower	5283LH	A-2422	2338
973	Mille Miglia Red	5291LM	A-2460R	2349
989	War Bonnet Yellow	5292LM	A-2464LF	2351
987	Ontario Orange	5293LM	A-2469F	2357
988	Steel Cities Gray Firemist	5294L	A-2470D	2358

1972 CORVETTE PAINT COLORS

Chev. Code	Color	Lucite Stock No.	Rinshed-Mason Stock No.	Ditzler Stock No.
972	Classic White	5040L	A-1802	8631
924	Pewter Silver	5426L	A-2541	2629
945	Bryar Blue	5461L	A-2547	2434
979	Targa Blue	5460L	A-2544	2432
946	Elkhart Green	5462L	A-2551	2438
912	Sunflower	5283L	A-2422	2338
973	Mille Miglia Red	5291L	A-2460R	2349
989	War Bonnet Yellow	5292L	A-2464F	2357
987	Ontario Orange	5293L	A-2469F	2357
988	Steel Cities Gray Firemist	5294L	A-2470D	2358

1973 CORVETTE PAINT COLORS

Corvette Paint Code	Color Name	Fisher WA Number	Ditzler Code	Rinshed Mason	DuPont
910	Classic White	3465	8631	A-1802	5040L
914	Corvette Silver Metallic	4469	2519	A-2619	5563L
922	Corvette Medium Blue Metallic	4069	2213	A-2621	5564L
927	Corvette Dark Blue Metallic	4282	2432	A-2544	5565L
945	Corvette Blue-Green Metallic	4146	2336	A-2447	5288L
947	Elkhart Green	4284	2438	A-2551	5462L
952	Corvette Yellow	4466	2534	A-2635G	5566L
953	Corvette Yellow Metallic	4465	2535	A-2636F	5567L
976	Mille Miglia Red	4147	2349	A-2460R	5291L
980	Corvette Orange Metallic	4464	2548	A-2652F	5568L

1974 CORVETTE PAINT COLORS

Chev. Code	Color	Fisher WA Number	Ditzler	Rinshed Mason	DuPont
910	Classic White	3465	8631	A-1802	5040L
914	Silver Mist	4469	2519	A-2619	5563L
917	Gray	4547	2630	A-2698F	42817LH
922	Medium Blue	4069	2213	A-2621	5564L
948	Dark Green	4548	2644	A-2706F	42816L
956	Bright Yellow	3893	2094	A-2119	5026LH
968	Dark Brown	4328	2543	A-2647D	5483L
974	Medium Red	4533	2656	A-2718F	5477L
976	Mille Miglia	4147	2349	A-2460R	5291LM
980	Orange	4464	2548	A-2652F	5568LM

1975 CORVETTE PAINT COLORS

Chev. Code	Color	Fisher WA Number	Ditzler	Rinshed Mason	DuPont
10	White	3465	8631	A-1802	5040L
13	Silver	4322	2518	A-2618	43537L
22	Med. Blue	4672	2744	A-2797	43467L
27	Dk. Steel Blue	4671	2747	A-2800F	43466LH
42	Bright Green	4670	2749	A-2830G	43465LH
56	Bright Yellow	4669	2756	A-2809	43464LH
67	Med. Saddle	4668	2762	A-2815D	43463L
70	Flame Red	4667	2764	A-2817R	43462LM
74	Red Irid	4533	2658	A-2718F	42810LM
76	Red	4147	2349	A-2460R	5291LM

1976 CORVETTE PAINT COLORS

Chev. Code	Color	Fisher WA Number	Ditzler	Rinshed Mason	DuPont
10	White	3465	8631	A-1802	5040L
13	Silver	4322	2518	A-2618	43537L
22	Med. Blue	4672	2744	A-2797	43467L
56	Bright Yellow	4669	2756	A-2809	43464LH
70	Flame Red	4667	2764	A-2817R	43432LM
72	Med. Red	4460	2544	A-2648F	5489LM
69	Dk. Brown Met.	4518	2656	A-2716	42804L
37	Mahogany Met.	4759	2864	A-2931G	44131LM
64	Buckskin Met.	4785	2869	A-2938	44180L
33	Dk. Green Met.	4888	2877	A-2993	44171LH

1977 CORVETTE PAINT COLORS

COLOR NAME	BODY PLATE PAINT OR TRIM CODE	DITZLER	DUPONT	RINISHED-MASON	
EXTERIOR	CODE				
Corvette Classic White	10	8631	5040-L	A-1802	
Antique White	11	2058	5338-L	A-2080	
Silver	13	2953	44716-L	A-8680	
Medium Gray	16	2954	44723-L	A-8681	
Black	19	9300	99-L	A-946	
Light Blue	21	2815	44133-L	A-2929	
Light Blue	22	2955	44171-L	A-8682	
Corvette Light Blue	26	2957	44725-L	A-8683	
Corvette Dark Blue	28	2958	44726-LH	A-8684G	
Dark Blue	29	2959	44718-L	A-8685	
Light Lime	32	2960	44771-LH	A-8686F	
Firethorn	36	2811	43953-LM	A-2916F	
Dark Aqua	38	2961	44714-L	A-8687	
Medium Green	44	2964	44719-LH	A-8690	
Dark Blue Green	48	2965	44720-LH	A-8691	
Cream Gold	50	2884	44178-L	A-2996	
Bright Yellow	51	2094	44139-LH	A-2936D	
Corvette Yellow	52	2988	44822-LH	A-8692F	
Light Buckskin	61	2869	44713-L	A-2999	
Buckskin	63	2970	44722-L	A-8695D	
Bright Orange	64	2968	44790-LH	A-8686R	
Corvette Orange	66	2956	44776-LM	A-8775	
Brown	69	2972	44721-LH	A-8698F	
Red	72	2973	44770-LH	A-8699F	
Light Red	75	2546	5485-LH	A-2650F	
Orange	78	2976	44715-LM	A-8702F	
Corvette Tan Buckskin	80	2978	44772-L	A-8704	
Corvette Dark Red	83	2979	44727-LM	A-8705F	
Medium Blue	85	2980	44724-L	A-8776	
INTERIOR COLORS	CORVETTE TRIM COMBINATIONS	GLOSS			
White		S G	8855	9625-L	A-4402
Black		S G	9387	99-L	A-4401
		Flat	---	---	A-4400
Dark Blue		S G	15075	43615-LH	A-8752
Medium Saddle		S G	23797	10003-L	---
Dark Brown		S G	24104	43620-LH	A-4728
Light Buckskin		S G	24174	43963-LH	A-4720
Dark Gray		S G	33034	9982-L	---
		Flat	---	10005-LH	A-4409
Light Gray		S G	---	43622-L	---
Light Smoke Gray		S G	33187	43964-L	A-2901
Medium Red		S G	72246	44267-LH	A-8760R
Dark Red		S G	---	44266-LH	---
		Flat	---	44268-LM	---

1978 CORVETTE PAINT COLORS

COLOR NAME		BODY PLATE PAINT OR TRIM CODE	DITZLER	DUPONT	RINISHED-MASON
EXTERIOR	CODE				
Dark Gray Poly	07	(Two-Tone)	2862	44146	A2928
Classic White	10	8631	5040	A1802
Silver Poly	13	2953	44716	A8680
Black	19	9300	99	A946
Frost Blue	26	3080	45208	A9373
Yellow	52	3072	45276	A9484F
Frost Beige	59	3087	45205	A9380
Red	72	2973	44770	A8699F
Mahogany Poly	82	2864	44131	A2931G
Dark Blue Poly	83	3074	45209	A9393
Brown Poly	89	2656	42804	A2716
INTERIOR COLORS		TRIM COMBINATION NUMBER			
Oyster White	12	90101		
Black	19	9387	99	
Midnight Blue	29	15173	45237	
Dark Brown	69	24104	43620	
Light Oeskin	59	24536	45236	
Saffron	76	24537	45233	
Light Gray	16	33291	45225	
Medium Red	72	72246	44267	
UPPER INSTR. PNL. COLOR					
Black			9317		

1979 CORVETTE PAINT COLORS

Color Name	Code	Ditzler	Dupont	Rinished-Meson
Classic White	10	8631	5040	A1802
Silver Metallic	13	2953	44716	A8680
Black	19	9300	99	A946
Frost Blue	28	3080	45208	A9373
Yellow	52	3072	45276	A9484F
Dark Green Metallic	58		45834	A9808
Frost Beige	59	3087	45205	A9380
Hilton Brown Metallic	67	2656	42804	A2716
Medium Red	72	2973	44770	A8699F
Dark Blue Metallic	83	3074	45209	A9393

1980 CORVETTE PAINT COLORS

COLOR NAME	CODE	DITZLER	DUPONT	RINISHED-MASON
Classic White	10	8631	5040	A1802
Silver Metallic	13	2953	44716	A8680
Black	19	9300	99	A946
Dark Claret Metallic	76			
Yellow	52	3072	45276	A9484F
Dark Green Metallic	58		45834	A9808
Frost Beige	59	3087	45205	A9380
Hilton Brown Metallic	67	2656	42804	A2716
Medium Red	83	3074	45209	A9393
Dark Blue Metallic	28	3080	45208	A9373

1981 CORVETTE PAINT COLORS

COLOR NAME	CODE	DITZLER	DUPONT	RENISHED-MASON
White	10	*8631	5040	*1802
Silver Metallic	13	*2953	44716	*8580
Black	19	*9300	99	*A946
Br. Blue Metallic	24	3340		12205G
Dark Blue Metallic	28	*3074	45209	*12206D
Yellow	52	*3236	88054	*11434V
Frost Beige	59	*3087	45205	*9380
Red	75	3332	88115	12229V
Maroon Metallic	79	3341	88126	12232V
Charcoal Metallic	84	*3223	88012	*11421

* — Carry Over Color

1982 CORVETTE PAINT COLORS

COLOR NAME	CODE	DITZLER	DUPONT	RINSHED MASON
White	10	8631	5040	---
Silver Met.	13	3402	88262	12650D
Black	19	9300	99	A-946
Silver Blue Met.	24	3409	88285	12657D
Dk. Blue Met.	26	3410	88291	12658D
Br. Blue Met.	31	3413	88287	12660D
Charcoal Met.	39	3414	88265	12661D
Silver Green Met.	40	3415	88286	12662
Gold Met.	56	3426	88286	12673G
Silver Beige Met.	59	3429	88290	12700
Dk. Claret	99	3452	88266	8763

GM PRODUCTION OPTIONS

RPO	FY	LY	DIVISIONAL RPO DESCRIPTION	WDDGM RPO DESCRIPTION
AA3	82	84	GLASS,DEEP TINT	W/DEEP TINTD GLS(AA3)
AB1	84	84	WINDOW,RR QUARTER,W/ORNAMENTAL ILLUMINATION	W/RR QTR WDO(AB1)
AB3	84	84	SEATING ARRANGEMENT SIX PASSENGER	W/AB3
AB5	82	84	LOCK,SI DR ELEC(KEY ACTIVATED)	W/ELEC DR LK(AB5)
AB6	82	84	WINDOW,RR INSERT	W/RR WDO INSERT(AB6)
AB7	76	81	WINDOW,LOUVERED QUARTER	W/LUV WDO(AB7)
AB7	84	84	WINDOW,HINGED TAILGATE	W/T/GATE WDO(AB7)
AB8	76	83	WINDOW,RR QTR FORMAL STYLE	W/FORMAL WDO(AB8)
AC1	76	84	ADJUSTER,6-WAY PWR,PASS ST	W/6-WAY(AC1)
AC2	76	84	GLASS,SLDG WDO,RT FRT DR	W/SLDG WDO GLS(AC2)
AC3	76	84	ADJUSTER,6-WAY PWR BKT,DRIVER ST	W/6-WAY(AC3)
AC6	76	81	ADJUSTER,6 WAY PWR BKT,PASS	W/6-WAY PASS(AC6)
AD2	76	81	PROP,HOLD OPEN,RR COMPT FLOOR	W/COMPT HOLD OPEN PROP(AD2)
AD3	76	84	GLASS,HGE RF WDO	W/HGE RF WDO GLS(AD3)
AD5	76	84	GLASS,SI WDO,RR SLDG	W/SLDG SI WDO GLS(AD5)
AD7	76	81	WINDOW,RR QTR TEARDROP,LESS LOUVERS	W/TEARDROP WDO LESS LUV(AD7)
AD8	76	84	CHECK,RR DR	W/RR DR CHK(AD8)
AD9	82	84	ADJUSTER,2-WAY PWR,DRIVER ST	W/2-WAY(AD9)
AE1	76	81	GLASS,RF PNL,REMOVABLE	W/REM RF GLS(AE1)
AE2	76	81	GLASS,RF PNL,REMOVABLE,W/MLDG & MAN GLS	W/REM RF GLS(AE2)
AF2	84	84	GLASS,FIXED SIDE-LH(UTILITY BODY)	W/AF2
AF3	84	84	GLASS,FIXED SIDE-RH(UTILITY BODY)	W/AF3
AF4	82	84	ADJUSTER,6-WAY MAN,DRIVER & PASS	W/6-WAY(AF4)
AF5	82	84	SEAT ASM,EASY ENTHY,PASS	W/AF5
AF6	84	84	SEAT ASM,FRONT BENCH,2 PASS	W/AF6
AF7	84	84	SEAT ASM,FRT BH,SPT BK,W/CTR A/RST,2 PASS	W/AF7
AF9	84	84	SEAT ASM,RECLINING BUCKET,PASS & DR	W/AF9
AG1	76	84	ADJUSTER,6-WAY PWR,DRIVER ST(60-40)(VAR 2)	W/6-WAY(AG1)
AG2	76	84	ADJUSTER,6-WAY PWR,PASS ST(60-40)(VAR 3)	W/6-WAY(AG2)
AG3	82	84	ADJUSTER,2 POS MEMORY	W/2 POS MEMORY(AG3)
AG6	82	84	ADJUSTER,2-WAY MAN,PASS ST	W/2-WAY(AG6)
AG7	76	81	ADJUSTER,6-WAY PWR,DRIVER 50-50	W/6-WAY(AG7)
AG8	82	83	ADJUSTER,2-WAY MAN,DRIVER ST	W/2-WAY(AG8)
AH4	82	83	SEAT ASM,EASY ENTRY,DRIVER	W/AH4
AH5	82	83	SEAT ASM,EASY ENTRY,PASS	W/AH5
AH6	82	84	GLASS,BK DR(COMMERCIAL BODY)	W/AH6
AH7	82	84	GLASS,FRT WDC(COMMERCIAL BODY)	W/AH7
AH8	82	84	GLASS,SI ACCESS LH DR(COMMERCIAL BODY)	W/AH8
AH9	82	84	GLASS,SI ACCESS RH DR(COMMERCIAL BODY)	W/AH9
AJ1	76	81	GLASS,ONE WAY	W/ONE WAY GLS(AJ1)
AJ1	82	84	GLASS,DEEP TINT	W/DEEP TINTD GLS(AJ1)
AJ2	82	84	SEAT ASM,JUMP	W/AJ2
AJ4	76	84	SEAT BELT GUIDE LOOP(EXPRT)	W/AJ4 (EXPORT)
AJB	76	84	SEAT ASM,FRT TRAVEL BED	W/AJB
AJ9	76	84	SEAT ASM,CTR RR TRAVEL BED	W/AJ9
AK1	76	84	BELTS,FRT CTR,RR ST & FRT SHLDR(DLX)	W/DLX BELTS(AK1)
AL4	76	81	SEAT,RR BKT,SWIVEL	W/AL4
AM3	84	84	SEAT ASM,FRT BENCH,FULL BK,W/CTR A/RST	W/AM3
AM4	84	84	SEAT ASM,FRT BENCH,SPL BK,W/O CTR A/RST	W/AM4
AM6	76	84	SEAT ASM,FRT SPLIT W/CTR ARM REST(60-40)	W/AM6
AM7	76	84	SEAT ASM,RR FLDG	W/AM7
AM8	76	81	SEAT ASM,RR FOLDING AUXILIARY	W/AM8
AM9	76	84	SEAT ASM,RR SPLIT BACK FOLD DOWN	W/AM9
AN1	76	81	SEAT ASM,BENCH FOLDING	W/AN1
AN5	76	84	SEAT ASM,FRT SPLIT,PASS RECL(40-40)	W/AN5
AN6	76	81	SEAT BACK,ADJ DRIVER SICE	W/ADJ D/ST BK(AN6)
AN7	76	83	SEAT ASM,FRT BKT(SWIVEL)	W/AN7
AP7	76	84	PARTITION,SLDG(PLYWOOD)(UNION CITY BODY)	W/SLDG PART(AP7)
AQ3	76	84	SEAT ASM,CTR RR	W/AQ3
AQ4	76	84	SEAT ASM,RR	W/AQ4
AQ9	76	84	SEAT ASM,FRT BKT,PASS RECL	W/AQ9
AR3	76	81	AIR CUSHION RESTRAINT	W/AR3
AR4	76	81	RESTRAINT SYSTEM,SEAT BELT & SHLDR HARNESS	W/AR4
AR5	76	81	SEAT ASM,FRT BKT W/RECL	W/AR5
AR6	76	84	RESTRAINT SYSTEM,FRT ST(DIV 1-2-3-4 EXPORT)	W/AR6 (EXPORT)
AR6	76	84	RESTRAINT SYSTEM,FRT ST(DIV 6)	W/AR6
AR7	76	81	SEAT ASM,BKT	W/AR7
AR9	76	84	SEAT ASM,FRT BKT RECL(EUROPEAN STYLE)	W/AR9
AS1	82	84	SEAT ASM,HIGH BACK BKT,DRIVER	W/AS1
AS2	82	84	SEAT ASM,HIGH BACK BKT,PASS	W/AS2
AS3	76	84	SEAT ASM,RR	W/AS3
AS5	84	84	SEAT ASM,FRT BUCKET DELUXE	W/AS5
AS7	76	84	SEAT ASM,FRT SPLIT (45-45)	W/AS7

GM PRODUCTION OPTIONS

RPO	FY	LY	DIVISIONAL RPO DESCRIPTION	WDDGM RPO DESCRIPTION
AS8	76	84	BELTS,W/RETR,FRT ST & SHLDR	W/AS8
AT5	76	84	SEAT ASM,CTR FLDG(SUBURBAN)	W/AT5
AT6	76	84	BACK,PASS MAN RECL ST	W/MAN RECL(AT6)
AT8	76	84	SEAT ASM,FRT SPLIT ADJ RECL(50-50)	W/AT8
AU2	76	84	LOCK,CARGO DR	W/CARGO DR LK(AU2)
AU3	76	84	LOCK,SI DR ELEC	W/ELEC DR LK(AU3)
AU4	76	84	LOCK,SI DR AUTO ELEC	W/ELEC DR LK(AU4)
AU5	76	83	LOCK,FRT ST BACK & DR,ELEC	W/ELEC ST & DR LK(AU5)
AU6	76	84	LOCK,TAILGATE REL ELEC	W/ELEC T/GATE LK(AU6)
AV2	76	83	CAMPER HOLD DOWN EQUIPMENT	W/CAMPER HOLDN(AV2)
AV3	84	84	FASTENER,CARGO TIE DOWN	W/AV3
AV5	76	84	SEAT ASM,HIGH BACK BKT	W/AV5
AV7	76	84	SEAT ASM,FRT SPLIT,NON-RECL(50-50)	W/AV7
AV9	76	81	SEATING REQUIREMENTS,JAPAN(EXPORT)	W/AV9(EXPORT)
AW2	83	83	ADJUSTER,6-WAY MANUAL,DRIVER SIDE	W/6-WAY(AW2)
AW3	83	83	ADJUSTER,6-WAY MANUAL,PASSENGER SIDE	W/6-WAY(AW3)
AW4	76	84	LINK,SLDG RR SI DR EXTENDER	W/AW4
AW5	82	84	SEATING REQUIREMENTS,EXPORT RELOCATION	W/AW5(EXPORT)
AW9	82	84	SECURITY GROUP,QTR STOW & LUG COMPT	W/SECURITY GRP(AW9)
AX3	84	84	KEYLESS ENTRY SYSTEM	W/AX3
AX4	82	84	BELTS,ST & FRT SHLDR HARN(EXPORT)	W/AX4(EXPORT)
AX5	82	84	PARTITION,EXPANDED METAL,DRIVERS SI	W/AX5
AX6	82	84	PARTITION,EXPANDED METAL,W/RH SLDG DR	W/AX6
AX7	82	84	PARTITION,EXPANDED METAL,W/CTR SLDG DR	W/AX7
AX8	82	83	SEAT ASM,BKT PEDESTAL,W/ST BELTS,DRIVER	W/AX8
AX9	82	84	LATCH,RR CARGO DR	W/RR CARGO DR LAT(AX9)
AY9	82	84	ADJUSTER,6-WAY PWR,SPLIT ST	W/6-WAY(AY9)
A01	76	84	GLASS,TINTED(ALL WDOOS)	W/TNTD GLS(A01)
A02	76	84	GLASS,TINTED(W/S SHADED UPR)	W/TNTD W/S GLS(A02)
A07	76	84	GLASS,BODY	W/BODY GLS(A07)
A08	76	84	GLASS,BODY RH SI	W/RH BODY GLS(A08)
A12	76	84	GLASS,RR DR,FIXED	W/BK DR GLS(A12)
A13	76	84	GLASS,SI DR,FIXED	W/SI DR GLS(A13)
A17	82	84	GLASS,LH SWING OUT	W/SWING OUT GLS(A17)
A18	76	84	GLASS,DR SWING OUT	W/SWING OUT GLS(A18)
A19	76	84	GLASS,SI RR DR SWING OUT	W/SWING OUT GLS(A19)
A20	76	84	GLASS,RR QTR VENT SWING OUT	W/SWING OUT GLS(A20)
A26	76	84	UNITED KINGDOM & EUROPEAN GLAZING	W/A26(EXPORT)
A28	76	84	GLASS,RR WDO SLDG	W/SLDG RR WDO(A28)
A31	76	84	WINDOW,ELEC CONT	W/ELEC WDO(A31)
A32	76	84	WINDOW,ELEC OPERATED FRT DR	W/ELEC WDO(A32)
A33	76	84	WINDOW,ELEC CONT T/GATE	W/ELEC T/GATE WDO(A33)
A40	76	81	WINDOW,ELEC OPERATED RR VENT	W/ELEC RR VENT(A40)
A42	76	84	ADJUSTER,6-WAY PWR ST	W/6-WAY(A42)
A44	76	81	ADJUSTER,2-WAY MAN,BKT ST	W/2-WAY BKT(A44)
A51	76	84	SEAT ASM,FRT BKT	W/A51
A52	76	84	SEAT ASM,FRT BENCH	W/A52
A53	83	83	ADJUSTER,6-WAY MAN DRIVER & 2-WAY MAN PASS	W/6-WAY & 2 WAY(A53)
A57	76	84	SEAT ASM,AUX PASS	W/A57
A65	76	84	BACK,FRT ST W/CTR ARM REST,SPLIT ST	W/A65
A70	76	84	WINDOW,REM CONT RR VENT	W/REM CONT RR VENT(A70)
A75	76	84	CUSHION,W/BK SPR,H.D. FRT ST	W/H.D. FRT ST(A75)
A76	76	84	CUSHION,W/BK SPR,H.D. RR ST	W/H.D. RR ST(A76)
A77	76	81	AUTO SEAT BELT RESTR SYSTEM (3 POINT)	W/A77
A78	76	84	BACK,RECL/PASS ST & DRIVER ST MAN	W/MAN RECL(A78)
A79	76	84	BACK,MAN RECL,DRIVER ST	W/MAN RECL(A79)
A80	76	84	BACK,ELEC RECL,DRIVER ST	W/DR ELEC RECL(A80)
A81	76	84	BACK,ELEC RECL,PASS ST	W/PASS ELEC RECL(A81)
A90	76	84	LOCK,RR COMPT LID,REM CONT,ELEC REL	W/ELEC COMPT LID(A90)
A91	76	84	PULLDOWN,RR COMPT LID	W/DECK LID PULLDOWN(A91)
A93	76	84	LOCK,QTR STOW COMPT	W/STOW COMPT LK(A93)
A95	82	84	SEAT ASM,FRT BKT,HI-BK RECL,DRIVER & PASS	W/A95
A96	76	84	LOCK,LUG & SPA TIRE COMPT	W/LUG COMPT LK(A96)
A99	76	81	LOCK,I/P COMPT	W/G/BX LK(A99)
BA8	76	84	COMPARTMENT,FRT ST STOR	W/FRT ST STOR COMPT(BA8)
BB4	76	81	INTERIOR ORNAMENTATION,DR TR PNL MAP PKT	W/MAP PKT & REFL(BB4)
BB5	76	84	INTR ORNA,HEADLINER(TRUCK)	W/INTR ORNA(BB5)
BB8	76	84	MOLDING,DR TR	W/DR TR MLDG(BB8)
BC1	76	81	INTERIOR ORNAMENTATION,BRUSHED ALUMINUM	W/BRUSHED ALUM(BC1)
BC1	82	84	PANEL,INSTR(PARK AVE)	W/PK AVE I/P(BC1)
BC2	76	81	INTERIOR ORNAMENTATION,WDDGRN INST CLUSTER	W/WDDGRN I/P(BC2)
BC2	82	83	PANEL,INSTR(ELECTRA EST WAGON)	W/ELECTRA EST I/P(BC2)

GM PRODUCTION OPTIONS

RPO	FY	LY	DIVISIONAL RPO DESCRIPTION	WDDGM RPO DESCRIPTION
BC3	76	84	PANEL INSTR(DLX)	W/DLX I/P(BC3)
BC5	76	81	INTERIOR ORNAMENTATION, LOAD COMPT PNLS CPTD	W/CPTD LOAD FLR(BC5)
BC8	84	84	INTERIOR ORNAMENTATION, DOOR POCKET(RH & LH)	W/DR PKT ORNA(BC8)
BD1	84	84	MOLDING, ROCKER PNL (DELETE)	(EXC RKR PNL MLDG)
BE1	84	84	INTERIOR ORNAMENTATION (EXPORT)	W/INT ORNA(BE1, EXPORT)
BF2	76	84	CARPET, DLX	W/DLX CPT(BF2)
BF3	82	84	MATS, STEPWELL	W/BF3
BF4	84	84	CARPET, CUSTOM	W/CUST CPT(BF4)
BF9	76	81	INSULATOR & PAD, FLR MAT	W/BF9
BG3	82	83	FILLER, RR FLR PNL	W/BG3
BG7	76	81	CARPET, WHEELHOUSE	W/W/H CPT(BG7)
BG9	76	81	MAT, RUBBER, FRT & RR	W/RBR MAT(BG9)
BS1	76	84	INSULATION, ACOUSTICAL	W/INSL(BS1)
BS2	76	84	INSULATION, ACOUSTICAL(SPL)	W/SPL INSL(BS2)
BS4	84	84	INSULATOR, CAB BACK PANEL	W/CAB BK INSL(BS4)
BS6	84	84	DOOR SEAL, AUXILIARY	W/AUX DR SEAL(BS6)
BT1	76	81	POLICE CAR	W/POLICE(BT1)
BV1	76	81	MOLDING, SI WDO RVL, BRIGHT & PAINTED	W/WDO RVL MLDG(BV1)
BV2	76	84	MOLDING, COMPT LID	W/COMPT LID MLDG(BV2)
BV3	84	84	INTERIOR ORNAMENTATION, I/P (BLACK)	W/I/P ORNA(BV3)
BV6	84	84	CYLINDER, PAINTED DOOR LOCK	W/BV6
BV7	84	84	APPLIQUE, PILLAR (DELETE)	(EXC PLR APLO)
BV8	82	84	HANDLE, DR(DLX)	W/DLX DR HDL(BV8)
BV9	82	83	MOLDING, SI(DLX)	W/DLX SI MLDG(BV9)
BW1	82	84	ORNAMENTATION, RR END EXTR	W/EXTR ORNA(BW1)
BW2	76	84	MOLDING, BODY SI(DLX)	W/BODY SI MLDG(BW2)
BW3	84	84	EXTERIOR ORNAMENTATION, ROOF WDO TR(PAINTED)	W/RF WDO EXTR ORNA(BW3)
BW5	76	81	EXTERIOR ORNAMENTATION, SIM ROLL BAR	W/ROLL BAR(BW5)
BW6	76	81	EXTERIOR ORNAMENTATION, BODY SI DECOR	W/BODY SI DECOR(BW6)
BW7	76	84	APPLIQUE, PLR	W/PLR APLO(BW7)
BX1	76	84	ORNAMENT, FRT END SPL EXTR	W/SPORT PKG(BX1)
BX2	76	84	MOLDING, BODY SI LWR (WIDE)	W/BODY SI WIDE LWR(BX2)
BX3	76	84	ORNAMENTATION, WOODGRAIN EXTR	W/WDGRN(BX3)
BX4	76	84	MOLDING, BODY SI	W/BODY SI MLDG(BX4)
BX5	76	84	MOLDING, RF DRIP(PAINTED)	W/BX5
BX6	76	84	ORNAMENTATION, MOLDING & APPLIQUE EXTR	W/EXTR ORNA(BX5)
BX8	76	84	MOLDING, FRT FDR BODY SI(TAILGATE)	W/BX8
BX9	76	84	ORNAMENT, FRT END PNL & MLDG(HOOD)	W/EXTR ORNA(BX9)
BY1	76	84	EMBLEM, BODY	W/BODY EMB(BY1)
BY3	76	81	HEADLINER, HARDBOARD FOAM & PERFORATED VHL	W/CUST HDLNG(BY2)
BY4	84	84	ORNAMENTATION, I/P MONOGRAM(GRAND NATIONAL)	W/GRAND NATIONAL I/P ORNA(BY4)
BY8	76	84	ORNAMENT, FRT DECOR PLT EXTR	W/EXTR ORNA(BY8)
B10	76	81	LOCK, TAILGATE, PWR	W/ELEC T/GATE LK(B10)
B22	76	81	APPEARANCE PACKAGE	W/B22
B30	76	84	SCHOOL BUS EQUIPMENT	W/B30
B3J	84	84	DIESEL EQUIPMENT PKG	W/B3J
B3M	76	84	SCHOOL BUS EQUIPMENT, DLX	W/B3M
B4Q	84	84	STEERING COLUMN, TILT (DELETE)	(EXC TILT WHL)(EXPORT)
B4T	84	84	GLASS, EUROPEAN (DELETE)	(EXC EUROPEAN GLS)(EXPORT)
B4W	84	84	WINDOW, POWER OPERATED	W/B4W(EXPORT)
B4X	76	81	SPORT APPEARANCE PACKAGE	W/SPORT PKG(B4X)
B50	82	83	EMISSION SYSTEM, CALIF BACK-UP	W/B50
B5R	76	81	ALUMINUM MANIFOLD	W/ALUM MANIF(B5R)
B5T	82	83	EMISSION SYSTEM, BACK-UP	W/B5T
B5Y	82	84	CLUSTER, ELEK (BACK-UP SYSTEM)	W/B5Y
B7K	82	83	INJECTION, ELEK FUEL(2-PORT, W/O CONVR)	W/B7K
B7L	82	83	INJECTION, ELEK FUEL(8-PORT, W/CONVR)	W/B7L
B7M	82	83	INJECTION, ELEK FUEL(8-PORT, W/O CONVR)	W/B7M
B02	76	81	SPECIAL BODY, TAXI CAB	W/TAXI(B02)
B05	82	84	ARMORED VEHICLE MODIFICATIONS	W/B05
B07	76	81	SPECIAL BODY, POLICE CAR(VAR 2)	W/POLICE(B07)
B09	76	81	POLICE GROUP, FREEWAY ENFORCER	W/POLICE(B09)
B18	76	84	ORNAMENT, DLX INTR	W/B18
B19	76	84	ORNAMENTATION, CUSTOM INTERIOR	W/CUST INT ORNA(B19)
B20	76	84	ORNAMENT, LUX INTR	W/B20
B22	76	83	EMBLEM, DR INR PNL	W/B22
B23	84	84	SPOILER, RR WHL OPENING	W/RR WHL SPLR(B23)
B24	84	84	MOLDING, SI WDO RVL	W/WDO RVL MLDG(B24)
B25	82	84	TRIM, LUG COMPT(DLX)	W/DLX COMPT TR(B25)
B26	76	84	ORNAMENT, INTERIOR FRT DOOR HANDLE	W/B26
B28	76	81	MAT, FRT & RR FLR	W/B28
B29	82	84	ORNAMENT, INTERIOR RR DOOR HANDLE	W/B29
B30	76	84	CARPET, FLR & WHLSE	W/B30

GM PRODUCTION OPTIONS

RPO	FY	LY	DIVISIONAL RPO DESCRIPTION	WDOGM RPO DESCRIPTION
B32	76	84	MAT.FRT.FLR	W/B32
B33	76	84	MAT.RR.FLR	W/B33
B34	76	84	MATS.FRT.FLR(CARPET INSERT)	W/B34
B35	76	84	MATS.RR.FLR(CARPET INSERT)	W/B35
B36	76	84	MAT.LUG.COMPT	W/B36
B37	76	84	MAT.FRT & RR	W/B37
B39	76	84	CARPET.LOAD.FLR	W/CPT.LOAD.FLR(B39)
B42	76	83	MAT.LUG.COMPT.FLR.CVR	W/COMPT.FLR.MAT(B42)
B44	76	81	CARPET.LOAD.FLR.LOOSE	W/CPTD.LOAD.FLR(B44)
B46	76	84	TRIM.SPL.ORDER.EQUIPMENT	W/SPL.TR(B46)
B4P	76	82	TRIM.LUG.COMPT(DLX)	W/DLX.COMPT.TR(B48)
B49	76	81	COVERING.FRT & RR.FLR.DLX.CARPET	W/FRT & RR.FLR.CPT(B49)
B51	76	84	MOLDING.RKR.PNL(EXTRA.WIDE)	W/WIDE.MLDG(B51)
B53	76	84	MAT.FRT.FLR(CARPET INSERT)(DLX)	W/B53
B54	82	84	MAT.RR.FLR(CARPET INSERT)(DLX)	W/B54
B56	76	84	MOLDING.RKR.PNL.EXTRA.WIDE(BLACK)(DLX)	W/WIDE.MLDG(B56)
B57	76	84	TRIM.EXTR.DLX	W/DLX.EXTR.TR(B57)
B65	76	83	COVERING.FLR & SI.WALL-TRUNK.COMPT	W/LUG.COMPT.LNG(B65)
B69	76	81	INSULATOR,ROOF	W/RF.INSL(B69)
B71	76	84	MOLDING.WHL.OPG(CUSTOM)	W/B71
B72	76	84	MOLDING.BELT.REVEAL.PAINTED	W/B72
B74	76	84	MOLDING.WHL.OPG(BLACK)	W/WHL.OPG.MLDG(B74)
B75	76	84	LINING,LUG.COMPT	W/LUG.COMPT.LNG(B75)
B77	76	84	MOLDING.W/S.RVL	W/W/S.RVL.MLDG(B77)
B79	76	84	ORNAMENTATION,RR.END.EXTR	W/RR.END.ORNA(B79)
B80	76	84	MOLDING,RF.DRIP	W/DRIP.MLDG(B80)
B81	84	84	MOLDING,BODY.SI.(DELETE)	(EXC.BODY.SI.MLDG)
B82	84	84	EMBLEM,BODY.(DELETE)	(EXC.BODY.EMB)
B83	76	84	MOLDING.RKR.PNL	W/RKR.PNL.MLDG(B83)
B84	76	84	MOLDING,BODY.SI	W/BODY.SI.MLDG(B84)
B85	76	84	MOLDING,BODY.SI(LT.TRUCK)	W/BODY.SI.MLDG(B85)
B85	76	84	MOLDING,BELT.RVL(PASS.CAR)	W/BELT.RVL(B85)
B86	76	81	MOLDING,BODY.RR	W/SI.OTR.LWR.MLDG(B86)
B88	76	84	MOLDING,BODY.SI(CUSTOM)	W/BODY.SI.MLDG(B88)
B89	76	84	MOLDING,BK.WOO.RVL	W/BK.WOO.RVL.MLDG(B89)
B90	76	84	MOLDING,SI.WOO.RVL	W/SI.WOO.RVL.MLDG(B90)
B91	76	81	MOLDING,BODY.SI.UPR	W/BODY.SI.MLDG(B91)
B91	82	84	MOLDING,DR.EDGE.GUARD(SPL)	W/MLOG(B91)
B93	76	84	MOLDING,DR.EDGE.GUARD	W/MLOG(B93)
B94	76	84	EMBLEM,BODY(VAR.1)	W/BODY.EMB(B94)
B95	76	81	LOUVER,BODY.SI	W/BODY.LUV(B95)
B96	76	84	MOLDING,WHL.OPG	W/WHL.OPG.MLDG(B96)
B97	76	84	SPOILER,RR.FDR	W/RR.WHL.SPLR(B97)
B98	76	81	MOLDING,SI.TRIM.TRUCK	W/BODY.SI.MLDG(B98)
B99	84	84	MOLDING,WHL.OPG.(DELETE)	(EXC.WHL.OPG.MLDG)
CA1	76	83	ROOF,STEEL.SLDG.SUN,ELEC	W/ELEC.SUN.RF(CA1)
CA2	76	84	COVERING,EXTR.SOFT.TR.RF-DELETE	(EXC.VNL.RF)
CA9	76	83	ROOF,VINYL.PADDED.FULL.TOP(HALO.TYPE)	W/FULL.VNL(CA9)
CB4	76	84	ROOF,VINYL.PADDED,RR.HALF(LANDAU)	W/RR.VNL(CB4)
CB5	76	84	ROOF,VINYL.PADDED,FULL.TOP	W/FULL.VNL(CB5)
CB6	76	81	ROOF,VINYL.PADDED,W/HALO.MLDG,FULL.TOP	W/HALO.TOP(CB6)
CB7	76	84	ROOF,VINYL.PADDED,LANDAU-FRONT	W/FRT.VNL(CB7)
CB8	76	81	TOP.REMOVABLE	W/REM.TOP(CB8)
CC1	76	84	PANELS,GLS.RF.HATCH.REMOVABLE	W/HATCH.RF(CC1)
CC2	76	81	ROOF,VINYL.PADDED,REAR.HALF	W/RR.VNL(CC2)
CC3	82	84	ROOF.REMOVABLE.PNL(TRANSPARENT.PLASTIC)	W/CLEAR.RF.PNL(CC3)
CD2	76	84	INDICATOR,LOW.WSWA.FLUID	W/LOW.FLUID.IND(CD2)
CD4	76	84	WASHER & WIPER,PULSE.W/S	W/PULSE.WPR(CD4)
CE4	84	84	WASHER,HEADLAMP.HIGH.PRESSURE	W/CE4
CF4	76	81	ROOF,GLS.SLDG.SUN,MANUAL	W/SUNRF(CF4)
CF5	76	84	ROOF,GLS.SLDG.ELEC(ASTRO)	W/ASTRO.RF(CF5)
CF8	82	84	ROOF,VNL(SIMULATED.CONVERTIBLE)	W/SIMULATED.CONVR(CF8)
CG1	76	81	PILLAR,NARROW.BODY.LOCK	W/NARROW.BODY.LK.PLR(CG1)
CH1	76	83	COMPRESSOR,AXIAL.6-CYL	W/AXIAL.COMPR.6-CYL(CH1)
CH2	76	83	COMPRESSOR,RADIAL.4-CYL	W/RADIAL.COMPR.4-CYL(CH2)
CO1	76	84	ORNAMENT,BODY.EMBLEM.EXTR	W/EXTR.ORNA(CO1)
CO4	76	84	ROOF,VINYL.PADDED,RR.HALF(LANDAU)	W/RR.VNL(CO4)
CO5	76	81	TOP,CONVERTIBLE.FOLDING	W/FOLD.TOP(CO5)
CO5	82	84	TOP,CONVERTIBLE	W/CONVR(CO5)
CO6	76	81	ROOF.ASTRO.VIEW & SIMULATED.ROLL.BAR.MLDG	W/ASTRO.RF(CO6)
CO9	76	84	ROOF,VINYL.PADDED,FULL.TOP	W/FULL.VNL(CO9)
C10	76	81	BIARRITZ	W/BIARRITZ(C10)

GM PRODUCTION OPTIONS

RPO	FY	LY	DIVISIONAL RPO DESCRIPTION	WDDGM RPO DESCRIPTION
C10	84	84	ROOF VINYL PADDED SPECIAL LANDAU	W/SPL VNL(C10)
C18	76	84	WIPER & BLADE W/S(BLACK)	W/C18
C21	82	83	WIPER & BLADE W/S(PAINTED)	W/C21
C25	76	84	WASHER & WIPER RR WDO	W/RR WDO WPR(C25)
C36	76	84	HEATER AUX	W/AUX HTR(C36)
C40	64	84	HEATER STANDARD ELECTRONIC	W/ELEK CONT HTR(C40)
C41	76	84	HEATER W/DEFR O/S AIR	(EXC A C.)
C42	76	84	HEATER W/DEFR W D	W/HTR(C42)
C43	76	83	TAILGATE STL	W/STL T/GATE(C43)
C44	76	84	TAILGATE PLSTC	W/PLSTC T/GATE(C44)
C46	82	84	HEATER HIGH CAPACITY	W/HTR(C46)
C49	76	84	DEFROGGER RR WDO ELEC	W/ELEC DEFG(C49)
C50	76	81	DEFROGGER RR WDO	W/BLO DEFG(C50)
C51	76	84	DEFLECTOR AIR	W/AIR DEFL(C51)
C55	76	84	VENTILATOR RF	W/RF VENT(C55)
C56	84	84	VENTILATOR FORCED AIR RIGHT SIDE	W/RH AIR VENT(C56)
C60	76	84	AIR CONDITIONER MAN CONT	W/A C (C60)
C61	76	83	AIR CONDITIONER AUTO CONT	W/A C (C61)
C62	76	81	AIR CONDITIONER FRT INSTAL FLR MTD	W/A C (C62)
C65	76	84	AIR CONDITIONER TEMPWATIC CONT	W/A C (C65)
C67	84	84	AIR CONDITIONING ALL WEATHER(ELECTRONIC)	W/A C (C67)
C68	82	84	AIR CONDITIONER ELEK CLIMATE CONT	W/A C (C68)
C69	76	84	AIR CONDITIONER OVERHEAD SYSTEM	W/A C (C69)
C71	82	84	LAMP FRT DR CTSY	W/FRT DR CTSY LP(C71)
C72	82	84	LAMP RR DR CTSY	W/RR DR CTSY LP(C72)
C73	84	84	LAMP MAN OPERATED INT(UTILITY BODY)	W/MAN LP(C73)
C80	76	84	SWITCH FRT DOOR JAMB	W/FRT DR JAMB SW(C80)
C81	76	84	SWITCH RR DR JAMB	W/RR DR JAMB SW(C81)
C87	82	84	LAMP RR QTR CTSY	W/RR CTSY LP(C87)
C88	76	84	LAMP RR COMPT CTSY	W/RR COMPT CTSY LP(C88)
C89	76	84	LAMP RDG	W/RDG LP(C89)
C90	76	84	LAMP CTSY & WRNG DR	W/CTSY & WARN LP(C90)
C91	82	84	LAMP DOME	W/DOME LP(C91)
C92	76	83	LAMP DOME & CARGO	W/DOME & CARGO LP(C92)
C93	76	84	LAMP OPERA-EXTR	W/OPERA LP(C93)
C94	76	83	LAMP DELAYED DOME	W/DELAYED DOME LP(C94)
C95	76	84	LAMP ASM DOME & RDG	W/DOME & RDG LP(C95)
C96	76	84	LAMP QTR CTSY & RDG	W/QTR RDG LP(C96)
C97	76	84	LAMP DR CTSY LGT	W/DR LP LGT(C97)
DB3	84	84	SUNSHADE W/S W/EXTENSION	W/SUNSHADE(DB3)
DB4	64	84	SUNSHADE W/S W/POCKETS	W/SUNSHADE(DB4)
DD3	76	81	MIRROR O/S RR VIEW CUST CHR	W/CHR CUST MIR(DD3)
DD4	76	83	MIRROR O/S RR VIEW ELEC REM PASS SI	W/ELEC CHR MIR(DD4)
DD5	76	83	MIRROR O/S RR VIEW ELEC REM DRIVER SI	W/ELEC CHR MIR(DD5)
DD7	76	83	MIRROR W/THERM O/S RR VIEW ELEC REM	W/THERM ILLUM MIR(DD7)
DJ8	84	84	MIRROR INSIDE RR VIEW DAY/NIGHT AUTO	W/AUTO DAY/NIGHT MIR(DJ8)
DJ9	82	84	MIRROR O/S RR VIEW ELEC REM(EXPORT)	W/DJ9(EXPORT)
DE1	82	84	LOUVER SUNSHIELD	W/DE1
DE6	84	84	SUNSHADE W/S WITHOUT EXTENSION	W/SUNSHADE(DE6)
DE7	82	84	MIRROR O/S RR VIEW REM BREAKAWAY(EXPORT)	W/DE7(EXPORT)
DE9	76	84	CONSOLE FRT COMPT NON-SHIFTING	W/CNSL(DE9)
DF1	76	84	MIRROR CAMPER(PAINTED)	W/PA CAMPER MIR(DF1)
DF2	76	84	MIRROR CAMPER(STAINLESS)	W/CHR CAMPER MIR(DF2)
DF3	76	84	MIRROR O/S RR VIEW REM CONT PASS SI	W/CHR REM MIR(DF3)
DF4	76	81	MIRROR O/S RR VIEW REM CONT PASS SI	W/SPORT REM MIR(DF4)
DF5	76	84	MIRROR O/S RR VIEW ELEC REM THERM ILLUM	W/THERM ILLUM MIR(DF5)
DG1	76	81	MIRROR O/S RR VIEW PASS SI	W/PASS SI MIR(DG1)
DG2	76	84	MIRROR O/S RR VIEW ELEC REM	W/ELEC MIR(DG2)
DG4	76	81	MIRROR WEST COAST TYPE S ALL	W/BELOW EYELINE MIR(DG4)
DG5	76	84	MIRROR SENIOR WEST COAST	W/SR WEST COAST MIR(DG5)
DG6	76	81	MIRROR O/S RR VIEW RT & L ELEC THERM	W/THERM MIR(DG6)
DG7	76	84	MIRROR O/S RR VIEW ELEC REM(SPORT)	W/ELEC SPORT MIR(DG7)
DG8	82	84	MIRROR BREAKAWAY(EXPORT)	W/DG8(EXPORT)
DH6	76	83	MIRROR VISOR VANITY DR & PASS	W/VISOR VAN MIR(DH6)
DJ9	76	81	MIRROR O/S RR VIEW CUSTOM PASS SI	W/SPORT MIR(DJ9)
DK2	84	84	MIRROR O/S RR VIEW ELEC REMOTE	W/ELEC MIR(DK2)
DK4	84	84	CONSOLE FRT COMPT NON-SHIFTING(MINI)	W/CNSL(DK4)
DK7	84	84	DECAL WINDOW (DELETE)	(EXC OLYMPIC DECAL)
DL1	76	83	DECALS & STRIPES	W/ACNT STRIPE(DL1)
DL2	76	81	DECAL & STRIPES	W/ACNT STRIPE(DL2)
DL4	84	84	DECAL TWO-TONE PAINT SCHEME	W/DL4
DL6	76	81	DECAL & STRIPES	W/ACNT STRIPE(DL6)

GM PRODUCTION OPTIONS

RPO	FY	LY	DIVISIONAL RPO DESCRIPTION	WDDGM RPO DESCRIPTION
DL8	82	84	MIRROR,O/S RR VIEW ELEC CONT(HTD ELEM)	W/ELEC HTD MIR(DL8)
DL9	84	84	DECAL,FRT FDR & RR QTR-BLACKOUT	W/DL9
DT4	84	84	ASH RECEPTACLE & CIGARETTE LIGHTER	W/DT4
DX1	82	84	DECAL,HOOD APPLIQUE	W/DX1
DX4	76	81	FREE SPIRIT	W/FREE SPIRIT(DX4)
DX4	82	84	STRIPE,BODY SI	W/ACNT STRIPE(DX4)
DX5	76	81	STRIPE,BODY SI (BUICK)	W/NIGHT HAWK(DX5)
DX5	76	81	STRIPE,BODY SI (CHEVROLET)	W/ACNT STRIPE(DX5)
DX5	82	84	STRIPE,BODY SI(MULTI-TONE)	W/ACNT STRIPE(DX5)
DX6	76	81	STRIPE,BODY SI (3 MULTI-TONE)	W/ACNT STRIPE(DX6)
DX9	76	81	TAPE,ACCNT STRIPE	W/ACNT STRIPE(DX9)
DY1	76	83	DECALS & STRIPES	W/ACNT STRIPE(DY1)
DY2	83	83	STRIPE,ACCNT(MULTICOLOR)	W/ACNT STRIPE(DY2)
DY5	76	84	DECALS & STRIPES,DECK LID	W/DY5
D01	82	83	PAINT,LACQUER MASTER	W/D01
D02	82	84	PAINT,ENAMEL MASTER	W/D02
D03	84	84	PAINT,WATER MASTER	W/D03
D05	82	84	HANDLE,INSIDE	W/D05(EXPORT)
D06	82	84	REST,FRT CNSL ARM	W/CNSL A/RST(D06)
D07	84	84	CONSOLE,FRT FLOOR(CUSTOM)	W/CUSTOM CNSL(D07)
D09	82	84	REST,FRT ST ARM	W/FRT ST A/RST(D09)
D12	76	84	SHELF,RR COMPT W/H TR	W/LUX TR(D12)
D20	82	84	SUNSHADE,PASS SI	W/PASS S/S(D20)
D24	76	84	CONTAINER,LITTER	W/D24
D26	76	81	TRAY,STOWAGE ON SPARE TIRE	W/SPA TIRE STOW(D26)
D27	76	84	COVER,RR COMPT STOW	W/D27
D28	84	84	MIRROR,O/S RR VIEW (DELETE)	(EXC O/S RR VIEW MIR)
D29	76	81	MIRROR,BELOW EYELINE, JUNIOR, PAINTED	W/BELOW EYELINE MIR(D29)
D31	76	84	MIRROR,I/S RR VIEW(TILT)	W/TILT MIR(D31)
D33	76	84	MIRROR,O/S RR VIEW REM CONT LH	W/REM CHR MIR(D33)
D34	76	84	MIRROR,VISOR VAN	W/VISOR VAN MIR(D34)
D35	76	84	MIRROR,O/S RR VIEW(CUST)	W/SPORT MIR(D35)
D36	76	81	MIRROR,I/S RR VIEW,10 IN. TILT(EXPORT)	W/D36(EXPORT)
D41	76	84	TRAY,RR QTR ASH	W/D41
D42	82	84	COVER,RR COMPT SECURITY	W/RR COMPT SECURITY CVR(D42)
D43	76	81	MIRROR,I/S RR VIEW,12 IN. TILT(EXPORT)	W/D43(EXPORT)
D44	76	84	MIRROR,O/S BELOW EYELINE(PAINTED)	W/PA O/S MIR(D44)
D45	76	84	MIRROR,O/S BELOW EYELINE(STNLS STL)	W/STNLS O/S MIR(D45)
D46	82	84	MIRROR,W/CLEARANCE LGTS,WEST COAST TYPE	W/WEST COAST MIR(D46)
D47	85	85	CONSOLE,FRT COMPT FLOOR	W/CNSL(D47)
D49	76	84	MIRROR,O/S DUAL BRI	W/DUAL BRI MIR(D49)
D50	76	83	CONSOLE,FRT COMPT-DELETE	(EXC CNSL)
D53	76	81	APPLIQUE,HOOD	W/HOOD APLO(D53)
D53	82	84	DECAL,HOOD BIRO	W/D53
D55	76	84	CONSOLE,FRT COMPT FLR(VAR 1)	W/CNSL(D55)
D57	82	84	PAINT,SPL TWO-TONE	W/TWO-TONE(D57)
D58	76	81	CONSOLE,FRT COMPT FLR,EXTRA LONG(VAR 3)	W/CNSL(D58)
D64	76	84	MIRROR,VISOR VAN ILLUM,RT SI	W/ILLUM VAN MIR(D64)
D65	76	81	MIRROR,O/S RR VIEW,LT SI,THERM	W/REM THERM MIR(D65)
D66	76	84	MIRROR,W/THERM,O/S RR VIEW,LT SI	W/REM ILLUM THERM MIR(D66)
D68	76	84	MIRROR,O/S RR VIEW REM CONT(SPORT)	W/SPORT REM MIR(D68)
D69	76	84	MIRROR,O/S RR VIEW REM,DRIVERS SI	W/SPORT REM MIR(D69)
D73	76	84	RAIL,HAND (PICK-UP BOX)	W/SI RAIL(D73)
D74	76	84	MIRROR,VISOR VAN,ILLUM LT SI	W/ILLUM VAN MIR(D74)
D75	76	81	DEFLECTOR,FRT AIR	W/FRT AIR DEFL(D75)
D75	84	84	EXTENSION,OUTSIDE DOOR HANDLE (EXPORT)	W/D75(EXPORT)
D78	82	84	MIRROR,O/S RR VIEW WIDE ANGLE(DUAL SYSTEM)	W/WIDE ANGLE MIR(D78)
D80	76	84	SPOILER,DECK LID RR	W/RR SPLR(D80)
D84	76	84	PAINT,TWO-TONE(CUST)	W/TWO-TONE(D84)
D85	76	81	STRIPE,BODY SI LWR ACCNT	W/ACNT STRIPE(D85)
D86	76	83	PAINT,TWO-TONE(DELUXE)	W/DLX TWO-TONE(D86)
D88	76	84	STRIPE,HOOD & DECK LID	W/ACNT STRIPE(D88)
D89	82	84	PAINT,TWO-TONE SPL DECOR	W/TWO-TONE(D89)
D90	76	84	STRIPE,FRT END & BODY SI	W/ACNT STRIPE(D90)
D91	76	83	PAINT,TWO-TONE SPL	W/TWO-TONE(D91)
D92	76	84	TAPE,DECOR(AT DR HANDLE)	W/D92
D93	82	84	PAINT,DR & WDO FRMS	W/D93
D98	76	84	STRIPE,ACNT	W/ACNT STRIPE(D98)
D99	76	84	PAINT,TWO-TONE(SPL ORDER)	W/TWO-TONE(D99)
E24	84	84	DOORS,HINGED CARGO SIDE	W/E24
E26	84	84	DOOR,LH SIDE ACCESS(UTILITY BODY)	W/E26
E27	84	84	DOOR,RH SIDE ACCESS(UTILITY BODY)	W/E27

GM PRODUCTION OPTIONS

RPO	FY	LY	DIVISIONAL RPO DESCRIPTION	WDOGM RPO DESCRIPTION
E28	82	84	HANDLE,ASST	W/ASST HDL(E28)
E31	76	84	BODY,STL(10 FT)HI-CUBE VAN	W/E31
E32	76	84	BODY,STL(SQUARE)F/C PNL	W/E32
E33	76	84	BODY,ALUM(SQUARE)F/C PNL	W/E33
E34	76	84	BCDY,STL(10 FT)HI-CUBE VAN	W/E34
E35	76	81	BODY,STL(12 FT)HI-CUBE VAN	W/E35
E35	84	84	PICKUP BOX,LESS TAILGATE (FLEETSIDE)	W/E35
E36	76	84	BODY,ALUM(10FT)HI-CUBE VAN	W/E36
E37	76	81	BODY,ALUM(12 FT)HI-CUBE VAN	W/E37
E37	82	84	BODY,COMMERCIAL UTILITY	W/E37
E38	76	84	BODY,STL(12 FT)HI-CUBE VAN	W/E38
E39	76	84	BODY,ALUM(12 FT)HI-CUBE VAN	W/E39
E46	82	84	DOOR,W/GLS,TRK BODY OVERHEAD RR(66 IN)	W/E46
E50	76	83	BAR,ROLL	W/ROLL BAR(E50)
E52	82	83	DOORS,RR WRAPAROUND(83 IN)	W/E52
E53	82	84	DOORS,RR WRAPAROUND(87 IN)	W/E53
E55	76	84	GATE,END(SUBURBAN)	W/E55
E56	76	83	BODY,PLATFORM W/STAKE RACK	W/E56
E62	76	84	BOX,STEPSIDE PICKUP	W/E62
E63	76	84	BOX,FLEETSIDE PICKUP	W/E63
E65	84	84	BODY HEIGHT,INCREASED INT (80 IN)	W/E65
E67	84	84	BODY LENGTH,12 IN INCREASE	W/E67
E70	82	84	HOUSING,WHL(FOR DUAL RR WHLS)	W/E70
E71	82	84	FLOOR,CARGO(SMOOTH STL)	W/E71
E72	84	84	BODY LENGTH,18 IN INCREASE	W/E72
E73	76	81	BODY WIDTH ADDITION (9 IN.)	W/E73
E73	84	84	BODY WIDTH,INCREASED INT (86.4 IN)	W/E73
E74	76	81	BODY WIDTH ADDITION (13 IN.)	W/E74
E74	84	84	BODY WIDTH,INCREASED INT (90.5 IN)	W/E74
E76	82	84	DOORS,RR(60 IN)	W/E76
E79	82	84	DOORS,RR(STRAP, JINGES)(74 IN)	W/E79
E81	76	81	FLOOR BOARD EQUIPMENT,WOOD	W/WD FLR BD(E81)
E82	76	83	LID,DECK(STL)	W/STL DECK LID(E82)
E83	76	84	LID,DECK(ALUM)	W/ALUM DECK LID(E83)
E86	76	83	COVER,TONNEAU CARGO BOX(SNAP-ON)	W/TONNEAU(E86)
E89	82	84	PANEL,CAB,DRIVER DR OPG	W/E89
E94	76	84	BEAUVILLE EQUIPMENT(CHEVROLET)	W/E94
E94	76	84	RALLY STX EQUIPMENT(GMC)	W/E94
FE1	76	81	RALLY SUSPENSION PACKAGE	W/RALLY SUSP(FE1)
FE2	76	81	RALLY SUSPENSION PACKAGE	W/RALLY SUSP(FE2)
FE2	82	84	SUSPENSION SYSTEM,TOURING RIDE & HANDLING	W/TOURING SUSP(FE2)
FE3	76	81	SUSPENSION SYSTEM,SPECIAL,LESS STAB SHF	W/SPL SUSP(FE3)
FE3	84	84	SUSPENSION,SPORT	W/SPORT SUSP(FE3)
FE5	84	84	SUSPENSION,SPL PERF FRT & RR (DELETE)	(EXC PERF SUSP)(EXPORT)
FE7	76	84	SUSPENSION,FRT AND RR H.D.	W/H.D. SUSP(FE7)
FG2	76	84	ABSORBER,FRT & RR SHOCK,FIRM RIDE	W/FIRM RIDE(FG2)
FK2	82	84	ANCHOR,TORSION BAR RR(57 DEGREE)	W/FK2
FK3	82	84	ANCHOR,TORSION BAR RR(63 DEGREE)	W/FK3
FS3	85	85	AXLE,FRONT I-BEAM CONSTRUCTION (5000 LBS)	W/FS3
FW2	82	84	AXLE,FRT 3.06 RATIO	W/3.06R(FW2)
FW3	82	84	AXLE,FRT 2.33 RATIO	W/2.33R(FW3)
FW4	82	84	AXLE,FRT 3.36 RATIO	W/3.36R(FW4)
FW5	82	84	AXLE,FRT 4.10 RATIO	W/4.10R(FW5)
FW6	82	84	AXLE,FRT 2.14 RATIO	W/2.14R(FW6)
FW7	82	84	AXLE,FRT 3.83 RATIO	W/3.83R(FW7)
FW8	84	84	AXLE,FRT 1.99 RATIO	W/1.99R(FW8)
FW9	82	84	AXLE,FRT 3.43 RATIO	W/3.43R(FW9)
FX2	84	84	AXLE,FRT 2.66 RATIO	W/2.66R(FX2)
FO1	82	84	FRAME,H.D.	W/H.D. FRM(FO1)
F16	76	84	AXLE,FRT 2.53 RATIO	W/2.53R(F16)
F17	76	84	AXLE,FRT 2.84 RATIO	W/2.84R(F17)
F25	76	84	AXLE,FRT 3.32 RATIO	W/3.32R(F25)
F29	76	81	AXLE,FRT 2.41 RATIO	W/2.41R(F29)
F36	76	81	AXLE,FRT 2.19 RATIO	W/2.19R(F36)
F40	76	84	SUSPENSION,H.D. FRT & RR	W/H.D. SUSP(F40)
F41	76	84	SUSPENSION,SPL H.D. FRT & RR	W/H.D. SUSP(F41)
F42	76	84	SUSPENSION,H.D. FRT	W/H.D. SUSP(F42)
F44	76	81	CHASSIS EQUIPMENT,HEAVY DUTY	W/F44
F45	76	84	AXLE,FRT 2.93 RATIO	W/2.93R(F45)
F47	82	84	AXLE,FRT 2.73 RATIO	W/2.73R(F47)
F51	76	84	ABSORBER,H.D. SHOCK	W/H.D. SHK(F51)
F57	82	84	AXLE,FRT 3.15 RATIO	W/3.15R(F57)

GM PRODUCTION OPTIONS

RPO	FY	LY	DIVISIONAL RPO DESCRIPTION	WDDGM RPO DESCRIPTION
F58	76	84	SHAFT, H. D. FRT STAB	W/H. D. STAB(F58)
F59	76	84	STABILIZER, FRT	W/F59
F60	76	84	SPRING, H. D. FRT	W/H. D. FRT SPR(F60)
F61	82	84	SHAFT, STAB RR	W/F61
F62	76	84	AXLE, FRT 2.39 RATIO	W/2.39R(F62)
F65	76	83	SUSPENSION, FRONT AIR	W/AIR SUSP(F65)
F66	76	84	SUSPENSION, H. D. FRONT AIR	W/H. D. ATR SUSP(F66)
F67	82	84	AXLE, FRT 3.19 RATIO	W/3.19R(F67)
F68	82	83	AXLE, FRT 3.45 RATIO	W/3.45R(F68)
F71	82	84	SPRING, W/SHK ABS, H. D. (VAR 1)	W/H. D. SUSP(F71)
F72	82	84	SPRING, W/SHK ABS, H. D. (VAR 2)	W/H. D. SUSP(F72)
F75	76	84	AXLE, FRT 3.18 RATIO	W/3.18R(F75)
F77	82	84	AXLE, FRT 3.73 RATIO	W/3.73R(F77)
F79	82	84	AXLE, FRT 2.97 RATIO	W/2.97R(F79)
F85	76	81	SHAFT, H. D. FRT STABILIZER	W/H. D. STAB(F85)
F90	76	81	AXLE, FRT 2.73 RATIO	W/2.73R(F90)
GH2	76	84	AXLE, RR 2.29 RATIO	W/2.29R(GH2)
GH4	76	81	AXLE, RR 2.28 RATIO	W/2.28R(GH4)
GL1	76	81	DIFFERENTIAL CARRIER, RR AXLE, ALUM	W/GL1
GM7	82	83	AXLE, RR 2.39 RATIO	W/2.39R(GM7)
GM8	76	84	AXLE, RR 2.56 RATIO	W/2.56R(GM8)
GN3	76	81	DRIVER CONTROL LEVELING	W/LVL CONT(GN3)
GT4	76	84	AXLE, RR 3.73 RATIO	W/3.73R(GT4)
GT5	76	84	AXLE, RR 4.10 RATIO	W/4.10R(GT5)
GT8	76	84	AXLE, H. D. RR 4.10 RATIO	W/H. D. 4.10R(GT8)
GU1	76	84	AXLE, RR 2.41 RATIO	W/2.41R(GU1)
GU2	76	84	AXLE, RR 2.73 RATIO	W/2.73R(GU2)
GU3	82	84	AXLE, RR 2.93 RATIO	W/2.93R(GU3)
GU4	76	84	AXLE, RR 3.08 RATIO	W/3.08R(GU4)
GU5	76	84	AXLE, RR 3.23 RATIO	W/3.23R(GU5)
GU6	76	84	AXLE, RR 3.42 RATIO	W/3.42R(GU6)
GV4	82	84	AXLE, RR 3.36 RATIO	W/3.36R(GV4)
GV8	82	83	AXLE, RR 2.72 RATIO	W/2.72R(GV8)
GW4	84	84	AXLE, RR 3.31 RATIO	W/3.31R(GW4)
GW9	76	84	AXLE, RR 2.93 RATIO	W/2.93R(GW9)
GX3	82	84	AXLE, FRT 3.33 RATIO	W/3.33R(GX3)
GX4	76	83	AXLE, RR 3.75 RATIO	W/3.75R(GX4)
GX5	76	83	AXLE, RR 4.09 RATIO	W/4.09R(GX5)
GY5	76	84	AXLE, FRT 3.65 RATIO	W/3.65R(GY5)
G50	76	84	SPRING, H. D. RR (VAR 1)	W/H. D. RR SPR(G50)
G51	76	84	SPRING, SPL H. D. RR (VAR 2)	W/H. D. RR SPR(G51)
G52	82	84	SPRING, EXTRA CAPACITY RR	W/H. D. RR SPR(G52)
G60	76	84	SPRING, AUX	W/AUX SPR(G60)
G66	76	84	ABSORBER, AIR BOOSTER RR SHK	W/MAN LVL CONT(G66)
G67	76	77	ABSORBER, AUTO LVL CONT SHK SYS	W/A.L.C. (G67)
G67	78	84	ABSORBER, ELEC LVL CONT SHK SYS	W/ELEC LVL CONT(G67)
G72	80	80	AXLE, RR 2.14 RATIO	W/2.14R(G72)
G72	81	81	AXLE, RR 2.14 RATIO (EXPORT)	W/2.14R(G72) (EXPORT)
G72	82	84	AXLE, RR 2.14 RATIO	W/2.14R(G72)
G75	82	84	AXLE, RR 3.62 RATIO	W/3.62R(G75)
G80	76	84	AXLE, RR LOCKING TYPE	W/G80
G83	82	83	GEAR, RING 8.75 IN	W/8.75 DIA RNGR(G83)
G87	76	84	GEAR, RING 8.50 IN	W/8.50 DIA RNGR(G87)
G88	76	83	GEAR, RING 8.875 IN	W/8.875 DIA RNGR(G88)
G89	76	84	GEAR, RING 7.50 IN	W/7.50 DIA RNGR(G89)
G92	76	84	AXLE, PERFORMANCE RATIO	W/G92
HA3	82	84	AXLE, RR 5.29 RATIO	W/5.29R(HA3)
HC2	76	81	AXLE, RR 2.76 RATIO	W/2.76R(HC2)
HC4	76	84	AXLE, RR 4.56 RATIO	W/4.56R(HC4)
HC7	76	84	AXLE, RR 5.13 RATIO	W/5.13R(HC7)
HC8	76	84	AXLE, RR 3.21 RATIO	W/3.21R(HC8)
HD1	82	84	AXLE, RR 5.83 RATIO	W/5.83R(HD1)
HE3	76	84	AXLE, RR 3.07 RATIO	W/3.07R(HE3)
HE4	76	81	AXLE, RR 3.40 RATIO	W/3.40R(HE4)
HF7	76	84	AXLE, H. D. RR 4.56 RATIO	W/H. D. 4.56R(HF7)
HF8	76	84	AXLE, RR 4.88 RATIO	W/4.88R(HF8)
HK1	82	83	AXLE, RR 2.87 RATIO	W/2.87R(HK1)
HK9	82	84	AXLE, RR 5.86 RATIO	W/5.86R(HK9)
H40	85	85	HEAVY DUTY EMISSIONS CONTROL (VAR 4)	W/H. D. EMIS CONT(H40)
HO4	76	84	AXLE, RR 4.11 RATIO	W/4.11R(HO4)
H22	76	81	AXLE, RR 6.17 RATIO	W/6.17R(H22)

GM PRODUCTION OPTIONS

RPO	FY	LY	DIVISIONAL RPO DESCRIPTION	WDOGM RPO DESCRIPTION
H23	76	81	AXLE,RR 5.43 RATIO	W/5.43R(H23)
JA1	76	84	BRAKE SYSTEM,PWR LT DUTY	W/JA1
JA2	76	84	BRAKE SYSTEM,PWR HVY DUTY	W/JA2
JA3	76	84	BRAKE SYSTEM,PWR (WAGONS)	W/JA3
JA4	76	81	BRAKE SYSTEM,DISC/DRUM	W/JA4
JA5	76	84	BRAKE SYSTEM,PWR HVY DUTY	W/JA5
JA6	76	84	BRAKE SYSTEM,MAN EXTRA LT WT	W/JA6
JA8	82	84	BRAKE SYSTEM,PWR MED DUTY	W/JA8
JB1	76	84	BRAKE SYSTEM,MAN DISC/DRUM	W/JB1
JB2	76	81	BRAKE SYSTEM,DISC/DRUM	W/JB2
JB3	76	84	BRAKE SYSTEM,VAC PWR DISC/DRUM	W/JB3
JB5	76	84	BRAKE SYSTEM,VAC PWR DISC/DRUM	W/JB5
JB6	76	84	BRAKE SYSTEM,VAC PWR DISC/DRUM	W/JB6
JB7	76	84	BRAKE SYSTEM,VAC PWR DISC/DRUM	W/JB7
JB8	76	84	BRAKE SYSTEM,HYD PWR DISC/DRUM	W/JB8
JC4	82	83	BRAKE,FRT VENTED ROTOR.	W/JC4
JD3	76	84	BRAKE SYSTEM,VAC PWR DISC/DRUM	W/JD3
JD5	76	84	BRAKE SYSTEM,PWR DISC	W/JD5
JD6	76	84	BRAKE SYSTEM,HYD PWR DISC/DRUM	W/JD6
JD7	76	84	BRAKE SYSTEM,HYD PWR DISC/DRUM	W/JD7
JE1	76	84	BRAKE SYSTEM,EUROPE(EXPORT)	W/JE1(EXPORT)
JF9	76	84	BRAKE SYSTEM,HYD PWR 4-WHL DISC	W/JF9
JL1	76	83	PADS,CUST PED TR	W/CUST PADS(JL1)
JL2	76	83	BRAKE SYSTEM,FRT PWR DISC	W/JL2
JL5	82	83	BRAKE,FRT SOLID DISC	W/JL5
JL6	76	84	BRAKE SYSTEM,MAN DISC	W/JL6
JM5	82	84	HEAD,PWR BRK BOOSTER(TANDEM)	W/P.B. BOOS(JM5)
JM7	76	84	HEAD,PWR BRK BOOSTER(SINGLE)	W/P.B. BOOS(JM7)
JM8	76	84	BRAKE SYSTEM,RR DISC	W/JM8
J41	82	84	DRUMS,BRAKE(CAST IRON)	W/J41
J42	82	84	DRUMS,BRAKE(ALUM)	W/J42
J50	76	84	BRAKE SYSTEM,VAC PWR	W/J50
J55	76	84	BRAKE SYSTEM,H.D. PWR(VAR 1)	W/J55
J65	76	84	BRAKE SYSTEM,PWR DISC FRT & RR	W/J65
J90	76	81	BRAKE SYSTEM,RR DRUM H.D.	W/J90
KA5	82	84	VACUUM SYSTEM,CAM DRIVEN	W/KA5
KA6	82	84	VACUUM SYSTEM,BELT DRIVEN	W/KA6
KB1	82	84	EXHAUST MANIFOLD,SHEET METAL	W/KB1
KB3	82	84	WATER PUMP,ALUMINUM	W/KB3
KB7	82	83	HEAD,CAST IRON	W/KB7
KBB	82	84	HEAD,ALUM	W/KBB
KC4	76	84	COOLER,ENG OIL ***PASS CAR EXC CORVETTE***	W/KC4(EXPORT)
KC4	76	84	COOLER,ENG OIL ***TRUCK & CORVETTE***	W/KC4
KD2	82	84	PUMP,FUEL INJECTION (STANADYNE)	W/KD2(STANADYNE)
KD3	82	84	PUMP,FUEL INJECTION (C.A.V.)	W/KD3(C.A.V.)
KE1	76	81	ELECTRONIC SPARK SELECTION	W/E.S.S.(KE1)
KF3	76	81	ELECTRONIC FUEL INJECTION	W/E.F.I.(KF3)
KJ5	76	81	MOTOR,STARTING(JAPANESE EXPORT)	W/KJ5(EXPORT)
KJ5	82	84	MOTOR,STARTING(MITSUBISHI)	W/KJ5
KL7	82	84	LP GAS PREPARATION	W/KL7(CANADIAN)
KM5	76	81	GLOW SYSTEM,SLOW START	W/SLOW GLOW(KM5)
KM6	76	81	GLOW SYSTEM,FAST START	W/FAST GLOW(KM6)
KM7	76	83	MANIFOLD,INT(CAST IRON)	W/KM7
KM9	76	84	MANIFOLD,INT(ALUM)	W/KM9
K05	76	84	HEATER,ENG BLOCK	W/K05
K07	76	84	HEATER,DIESEL FUEL	W/K07
K15	76	84	LINE,FUEL VAPOR RTN	W/K15
K19	76	84	AIR INJECTION SYSTEM	W/A.I.R.(K19)
K22	82	84	DELCO TRON,94 AMP	W/94 AMP(K22)
K30	76	84	CONTROL,SPEED & CRUISE(AUTO)	W/CRUISE CONT(K30)
K34	76	84	CONTROL,SPEED & CRUISE(INTEGRATED COMPUTER)	W/CRUISE CONT(K34)
K35	76	83	CONTROL,W/RESUME,SPEED & CRUISE	W/CRUISE CONT(K35)
K46	82	84	CLEANER,AIR PRECHAMBER	W/K46
K61	84	84	DELCO TRON,97 AMP	W/97 AMP(K61)
K64	82	84	DELCO TRON,78 AMP	W/78 AMP(K64)
K70	82	84	PULSAIR,AIR INJ ENG	W/PULSAIR(K70)
K71	82	84	EMISSION CONTROL,NOT CERTIFIED(EXPORT)	W/K71(EXPORT)
K73	76	84	DELCO TRON,70 AMP	W/70 AMP(K73)
K74	76	81	EARLY FUEL EVAPORATION (DELETE)	(EXC EARLY FUEL EVAP)
K76	76	81	DELCO TRON,61 AMP	W/61 AMP(K76)
K77	76	82	DELCO TRON,55 AMP	W/55 AMP(K77)

GM PRODUCTION OPTIONS

RPO	FY	LY	DIVISIONAL RPO DESCRIPTION	WDDGM RPO DESCRIPTION
K77	83	84	DELCOTRON, 56 AMP	W/56 AMP (K77)
K79	76	84	DELCOTRON, 42 AMP	W/42 AMP (K79)
K80	84	84	DELCOTRON, 92 AMP	W/92 AMP (K80)
K81	76	82	DELCOTRON, 63 AMP	W/63 AMP (K81)
K81	83	84	DELCOTRON, 66 AMP	W/66 AMP (K81)
K85	82	84	DELCOTRON, 37 AMP	W/37 AMP (K85)
K90	84	84	DELCOTRON, 108 AMP	W/108 AMP (K90)
K92	76	81	DELCOTRON, 105 AMP	W/105 AMP (K92)
K94	76	81	ENGINE DISPLACEMENT, MODULATED	W/K94
K95	76	81	ENGINE DISPLACEMENT, NONMODULATED	W/K95
K97	76	84	DELCOTRON, 80 AMP	W/80 AMP (K97)
K99	76	84	DELCOTRON, 85 AMP	W/85 AMP (K99)
LA5	84	84	ENGINE ASM, 1.8L L4	(1.8J)
LC1	82	84	ENGINE ASM, 2.8L V6	(2.8-1)
LC3	82	82	ENGINE ASM, 229 C. I. D. V6	(229K)
LC3	83	84	ENGINE ASM, 229 C. I. D. V6	(229-9)
LC4	80	84	ENGINE ASM, 4.1L V6	(4.1-4)
LC5	78	78	ENGINE ASM, 231 C. I. D. V6	(231G)
LC6	78	79	ENGINE ASM, 231 C. I. D. V6	(231-2)
LC8	78	82	ENGINE ASM, 231 C. I. D. V6	(231-3)
LC8	83	83	ENGINE ASM, 231 C. I. D. V6	(231-8)
LC9	78	79	ENGINE ASM, 196 C. I. C. V6	(196)
LD4	78	78	ENGINE ASM, 250 C. I. D. STAN 6CYL	(250)
LD5	76	84	ENGINE ASM, 231 C. I. D. V6	(231A)
LD7	77	77	ENGINE ASM, 231 C. I. D. V6	(231C)
LE2	80	84	ENGINE ASM, 2.8L V6	(2.8X)
LE3	79	84	ENGINE ASM, 250 C. I. D. L6	(250D)
LE4	80	80	ENGINE ASM, 400 C. I. D. V8	(400X)
LE8	80	84	ENGINE ASM, 454 C. I. D. V8	(454W)
LE9	82	84	ENGINE ASM, 305 C. I. D. V8	(305H)
LF3	82	84	ENGINE ASM, 305 C. I. D. V8	(305F)
LF4	77	80	ENGINE ASM, 400 C. I. D. V8	(400R)
LF5	79	82	ENGINE ASM, 350 C. I. D. V8	(350P)
LF5	83	83	ENGINE ASM, 350 C. I. D. V8	W/SEO (LF5)
LF7	79	79	ENGINE ASM, 260 C. I. D. DIESEL V8	(260P)
LF8	77	79	ENGINE ASM, 454 C. I. D. V8	(454S)
LF9	78	84	ENGINE ASM, 350 C. I. D. V8 DIESEL	(350N)
LG3	77	78	ENGINE ASM, 305 C. I. D. V8	(305U)
LG3	79	79	ENGINE ASM, 305 C. I. D. V8	(305G)
LG4	80	84	ENGINE ASM, 305 C. I. D. V8	(305H)
LG9	77	81	ENGINE ASM, 305 C. I. D. V8	(305G)
LH6	82	84	ENGINE ASM, 6.2L V8 DIESEL	(6.2C)
LH7	82	84	ENGINE ASM, 2.8L V6	(2.8Z)
LH8	82	84	ENGINE ASM, 1.8L L4	(1.8-0)
LJ5	81	84	ENGINE ASM, 1.8L L4 DIESEL	(1.8D)
LK9	82	84	ENGINE ASM, 3.0L V6	(3.0E)
LL1	83	84	ENGINE ASM, 2.8L V6	(2.8L)
LL4	82	84	ENGINE ASM, 6.2L V8 DIESEL	(6.2J)
LM1	77	82	ENGINE ASM, 350 C. I. D. V8	(350L)
LM1	83	84	ENGINE ASM, 350 C. I. D. V8 (CHEVROLET)	W/SEO (LM1)
LM1	84	84	ENGINE ASM, 350 C. I. D. V8 (PONTIAC)	(350-6) (EXPORT)
LM9	84	84	ENGINE ASM, 3.8L V6	(231-9)
LN3	84	84	ENGINE ASM, 3.8L V6	(231-3)
LP9	84	84	ENGINE ASM, 5.7L V8	W/SEO (LP9)
LQ2	83	84	ENGINE ASM, 2.0L L4	(2.0Y)
LQ5	83	84	ENGINE ASM, 2.0L L4	(2.0P)
LQ7	83	84	ENGINE ASM, 2.2L L4 DIESEL	(2.2S)
LQ8	82	83	ENGINE ASM, 2.5L L4	(2.5F)
LQ9	82	84	ENGINE ASM, 2.5L L4	(2.5-2)
LR1	82	84	ENGINE ASM, 1.9L L4	(1.9A)
LR2	82	84	ENGINE ASM, 2.8L V6	(2.8B)
LR8	82	84	ENGINE ASM, 2.5L L4	(2.5R)
LR9	82	84	ENGINE ASM, 2.0L L4	(2.0B)
LS6	78	79	ENGINE ASM, 151 C. I. D. L4	(151-1)
LS8	79	79	ENGINE ASM, 151 C. I. D. L4	(151-9)
LS9	77	84	ENGINE ASM, 350 C. I. D. V8	(350L)
LT5	76	81	ENGINE PERFORMANCE PKG, HIGH ALT	W/ALT (LT5)
LT6	82	84	ENGINE ASM, 4.3L V6 DIESEL	(4.3V)
LT7	82	84	ENGINE ASM, 4.3L V6 DIESEL	(4.3T)
LT8	82	84	ENGINE ASM, 4.1L V8	(4.1-8)
LT9	80	84	ENGINE ASM, 350 C. I. D. V8 (GASOLINE)	(350M)
LT9	83	84	ENGINE ASM, 350 C. I. D. V8 (PROPANE)	(350K)

GM PRODUCTION OPTIONS

RPO	FY	LY	DIVISIONAL RPO DESCRIPTION	WDDGM RPO DESCRIPTION
LUS	82	82	ENGINE ASM, 5.0L V8	(5.0-7)
LUS	83	83	ENGINE ASM, 5.0L V8	(5.0S)
LV2	80	84	ENGINE ASM, 307 C.I.D. V8	(307Y)
LV2	83	84	ENGINE ASM, 307 C.I.D. V8 (WITH HURST/OLDS)	(307-9)
LV8	77	78	ENGINE ASM, 260 C.I.D. V8	(260)
LV8	79	81	ENGINE ASM, 260 C.I.D. V8	(260F)
LV8	82	82	ENGINE ASM, 260 C.I.D. V8	(260C-8)
LW5	78	79	ENGINE ASM, 1.6L L4	(1.6J)
LW9	80	83	ENGINE ASM, 1.5L L4	(2.5-5)
LX3	77	77	ENGINE ASM, 1.4L L4	(1.4)
LX6	77	78	ENGINE ASM, 151 C.I.D. L4	(151V)
LX8	79	80	ENGINE ASM, 151 C.I.D. L4	(151V)
LY5	77	78	ENGINE ASM, 1.6L L4	(1.6E)
LO2	76	84	DELCO TRON, 100 AMP	W/100 AMP (LO2)
LO3	76	81	DELCO TRON, 110 AMP	W/110 AMP (LO3)
LO4	76	81	DELCO TRON, 145 AMP	W/145 AMP (LO4)
LO5	76	81	DELCO TRON, 130 AMP	W/130 AMP (LO5)
LO7	76	81	DELCO TRON, 145 AMP DYNAMOTE PWR INVERTED	W/145 AMP (LO7)
LI1	77	77	ENGINE ASM, 140 C.I.D. OHC L4	(140)
L13	76	76	ENGINE ASM, 140 C.I.D. L4	(140)
L17	82	84	ENGINE ASM, 1.6L L4	(1.6C)
L22	77	79	ENGINE ASM, 250 C.I.D. L6	(250)
L25	77	84	ENGINE ASM, 292 C.I.D. L6	(292T)
L26	78	79	ENGINE ASM, 200 C.I.D. V6	(200)
L27	77	79	ENGINE ASM, 301 C.I.D. V8	(301Y)
L32	77	77	ENGINE ASM, 350 C.I.D. V8	(350H)
L33	78	79	ENGINE ASM, 425 C.I.D. V8	(425)
L34	77	80	ENGINE ASM, 350 C.I.D. V8	(350R)
L35	78	79	ENGINE ASM, 425 C.I.D. V8 E.F.I.	(425)
L37	78	81	ENGINE ASM, 301 C.I.D. V8	(301W)
L39	79	82	ENGINE ASM, 267 C.I.D. V8	(267J)
L46	82	82	ENGINE ASM, 1.8L L4	(1.8G)
L48	77	80	ENGINE ASM, 350 C.I.D. V8	(350)
L49	78	80	ENGINE ASM, 350 C.I.D. V8	(350B)
L61	80	84	ENGINE ASM, 368 C.I.D. V8	(368-6)
L62	80	84	ENGINE ASM, 368 C.I.D. V8	(368-9)
L65	77	77	ENGINE ASM, 350 C.I.D. V8	(350G)
L69	83	83	ENGINE ASM, 5.0L V8	(305-7)
L69	84	84	ENGINE ASM, 5.0L V8	(305G)
L76	77	77	ENGINE ASM, 350 C.I.D. V8	(350P)
L77	77	77	ENGINE ASM, 350 C.I.D. V8	(350J)
L77	78	80	ENGINE ASM, 350 C.I.D. V8	(350X)
L77	81	81	ENGINE ASM, 350 C.I.D. V8	(350B)
L78	77	79	ENGINE ASM, 400 C.I.D. V8	(400)
L80	77	79	ENGINE ASM, 403 C.I.D. V8	(403)
L82	77	80	ENGINE ASM, 350 C.I.D. V8 SPL HI PERF	(350)
L83	82	84	ENGINE ASM, 5.7L V8	(5.7-8)
L91	76	81	EXPORT ENGINE	W/L91 (EXPORT)
L92	76	81	EXPORT ENGINE	W/L92 (EXPORT)
L93	76	81	EXPORT ENGINE, VENEZUELA	W/L93 (EXPORT)
MB1	84	84	TRANSMISSION, 5-SPD MAN	W/M.T. (MB1)
MB4	82	84	TRANSMISSION, 5-SPD MAN	W/M.T. (MB4)
MB6	82	84	TRANSMISSION, 5-SPD MAN	W/M.T. (MB6)
MC1	76	83	TRANSMISSION, H.O. 3-SPD MAN	W/M.T. (MC1)
MC4	76	81	TRANSMISSION, SPORT SHIFT	W/SPORT SHIFT (MC4)
MC5	85	85	TRANSMISSION, 5-SPD MAN	W/M.T. (MC5)
MD2	76	84	TRANSMISSION, 3-SPD AUTO	W/A.T. (MD2)
MD3	76	81	TRANSMISSION, AUTO, STRASBURG	W/A.T. (MD3)
MD8	76	84	TRANSMISSION, 4-SPD AUTO	W/A.T. (MD8)
MD9	76	84	TRANSMISSION, 3-SPD AUTO	W/A.T. (MD9)
ME9	82	84	TRANSMISSION, 4-SPD AUTO	W/A.T. (ME9)
MF4	84	84	TRANSFER CASE NP-205 (1.96 LOW RANGE)	W/MF4
MK2	82	84	TRANSMISSION, 4-SPD MAN	W/M.T. (MK2)
MK4	82	84	TRANSMISSION, 5-SPD MAN	W/M.T. (MK4)
MK5	82	84	TRANSMISSION, 5-SPD MAN	W/M.T. (MK5)
MK6	82	84	TRANSMISSION, 5-SPD MAN	W/M.T. (MK6)
MK7	82	84	TRANSMISSION, 5-SPD MAN	W/M.T. (MK7)
ML3	84	84	TRANSMISSION, 5-SPD MAN	W/M.T. (ML3)
ML8	84	84	TRANSMISSION, 5-SPD MAN	W/M.T. (ML8)
MM3	82	84	MERCHANDISING OPTION ONLY-DO NOT CATALOG	SEE VDS FOR AVAIL TRANS OPTION
MM4	82	84	MERCHANDISING OPTION ONLY-DO NOT CATALOG	SEE VDS FOR AVAIL TRANS OPTION
MM5	82	84	MERCHANDISING OPTION ONLY-DO NOT CATALOG	SEE VDS FOR AVAIL TRANS OPTION

GM PRODUCTION OPTIONS

RPO	FY	LY	DIVISIONAL RPO DESCRIPTION	WDDGM RPO DESCRIPTION
WV7	82	84	MERCHANDISING OPTION ONLY-DO NOT CATALOG	SEE VDS FOR AVAIL TRANS OPTION
WV4	76	84	TRANSMISSION, 3-SPD AUTO	W/A T. (WV4)
WV9	76	84	TRANSMISSION, 3-SPD AUTO	W/A T. (WV9)
WV9	76	84	TRANSMISSION, 4-SPD AUTO	W/A T. (WV9)
WX0	82	84	MERCHANDISING OPTION ONLY-DO NOT CATALOG	SEE VDS FOR AVAIL TRANS OPTION
WX1	82	84	MERCHANDISING OPTION ONLY-DO NOT CATALOG	SEE VDS FOR AVAIL TRANS OPTION
WX2	76	84	TRANSMISSION, AUTO	W/A T. (WX2)
WX3	76	81	TRANSMISSION, 3-SPD AUTO, W/LK UP CONV	W/A T. (WX3)
WX5	82	83	TRANSMISSION, AUTO	W/A T. (WX5)
MY1	76	84	TRANSMISSION, 4-SPD MAN	W/M T. (MY1)
MY6	76	84	TRANSMISSION, 4-SPD MAN	W/M T. (MY6)
MY7	76	84	TRANSMISSION, 5-SPD MAN	W/M T. (MY7)
MY8	76	84	TRANSMISSION, 4-SPD MAN	W/M T. (MY8)
M08	82	84	TRANSMISSION, 4-SPD MAN	W/M T. (M08)
M11	76	81	SHIFT, FLOOR	W/FLR SHIFT (M11)
M15	76	81	TRANSMISSION, 3-SPD MAN	W/M T. (M15)
M16	76	81	TRANSMISSION, 3-SPD MAN	W/M T. (M16)
M17	76	84	TRANSMISSION, 4-SPD MAN	W/M T. (M17)
M18	76	83	TRANSMISSION, 4-SPD MAN	W/M T. (M18)
M19	76	84	TRANSMISSION, 4-SPD MAN	W/M T. (M19)
M20	76	84	TRANSMISSION, 4-SPD MAN	W/M T. (M20)
M21	76	81	TRANSMISSION, 4-SPD MAN	W/M T. (M21)
M24	76	83	TRANSMISSION, 4-SPD MAN	W/M T. (M24)
M26	76	84	TRANSMISSION, 4-SPD MAN	W/M T. (M26)
M27	76	81	TRANSMISSION, 4-SPD MAN	W/M T. (M27)
M29	76	81	TRANSMISSION, 3-SPD AUTO	W/A T. (M29)
M31	76	84	TRANSMISSION, 3-SPD AUTO	W/A T. (M31)
M32	76	81	TRANSMISSION, 3-SPD AUTO	W/A T. (M32)
M33	76	81	TRANSMISSION, 3-SPD AUTO	W/A T. (M33)
M34	76	83	TRANSMISSION, 3-SPD AUTO	W/A T. (M34)
M38	76	81	TRANSMISSION, 3-SPD AUTO	W/A T. (M38)
M40	76	84	TRANSMISSION, 3-SPD AUTO	W/A T. (M40)
M51	76	81	STEERING SYSTEM, MAN	(EXC P. S.)
M57	76	84	TRANSMISSION, 4-SPD AUTO	W/A T. (M57)
M62	76	84	TRANSMISSION, 3-SPD MAN	W/M T. (M62)
M63	76	81	TRANSMISSION, 3-SPD MAN	W/M T. (M63)
M64	76	84	TRANSMISSION, 3-SPD MAN	W/M T. (M64)
M67	76	81	TRANSMISSION, 4-SPD MAN	W/M T. (M67)
M73	76	84	TRANSMISSION, 4-SPD MAN	W/M T. (M73)
M75	76	84	TRANSMISSION, 5-SPD MAN	W/M T. (M75)
M77	76	84	TRANSMISSION, 4-SPD MAN	W/M T. (M77)
NA2	76	81	EMISSION SYSTEM, STANDARD	W/FED (NA2)
NA5	76	84	EMISSION SYSTEM, FED	W/FED (NA5)
NA6	76	84	EMISSION SYSTEM, ALT	W/ALT (NA6)
NA9	76	84	EMISSION CONTROL, EVAPORATIVE	W/E. E. S. (NA9)
NB1	76	84	EMISSION CONTROL, CLOSED LOOP	W/CLSD LOOP (NB1)
NB2	76	84	EMISSION SYSTEM, CALIF	W/CALIF (NB2)
NB5	76	83	EXHAUST SYSTEM, SINGLE	W/SINGLE EXH (NB5)
NB9	84	84	FILTER SYSTEM, FUEL	W/NB9
NC3	84	84	TAILPIPE MODIFICATIONS (EXPORT)	W/NC3 (EXPORT)
NC6	76	81	EXHAUST SYSTEM, SPORTY	W/SPORT EXH (NC6)
NC8	76	84	EMISSION SYSTEM, INTERNAL EGR (DIESEL)	W/INTERNAL EGR (NC8)
ND1	76	84	TANK, FUEL 86 LITER	W/86 LITER TK (ND1)
NE2	76	84	TANK, FUEL 40 GAL	W/40 GAL TK (NE2)
NF1	76	83	TANK, FUEL 69 LITER	W/69 LITER TK (NF1)
NF2	76	84	TANK, FUEL 75 LITER	W/75 LITER TK (NF2)
NF9	84	84	HEAT SHIELD, EXHAUST SYSTEM TO GROUND	W/EXH HT SHLD (NF9)
NG1	76	84	TANK, FUEL 76 LITER	W/76 LITER TK (NG1)
NH1	76	84	TANK, FUEL 83 LITER	W/83 LITER TK (NH1)
NH7	76	84	TANK, FUEL 103 LITER	W/103 LITER TK (NH7)
NH8	76	83	TANK, FUEL 69 LITER	W/69 LITER TK (NH8)
NK1	76	84	TANK, FUEL 69 LITER	W/69 LITER TK (NK1)
NK2	76	81	TANK, FUEL 79 LITER	W/79 LITER TK (NK2)
NK2	82	84	TANK, FUEL 76 LITER	W/76 LITER TK (NK2)
NK3	76	84	WHEEL, STRG (FORMULA)	W/FORMULA WHL (NK3)
NK4	76	83	WHEEL, STRG (SPORT LEATHER)	W/NK4
NK5	76	84	WHEEL, STRG (STD)	W/NK5
NK6	76	84	TANK, FUEL 83 LITER	W/83 LITER TK (NK6)
NK7	76	84	TANK, FUEL 31 GAL	W/31 GAL TK (NK7)
NK8	76	84	TANK, FUEL 96 LITER	W/96 LITER TK (NK8)
NL2	76	84	TANK, AUX FUEL (VAR 2)	W/AUX TK (NL2)
NL7	76	84	TANK, FUEL 33 GAL	W/33 GAL TK (NL7)

GM PRODUCTION OPTIONS

RPO	FY	LY	DIVISIONAL RPO DESCRIPTION	WDDGM RPO DESCRIPTION
NLB	76	81	TANK, FUEL 2K GALLON RR MOUNTED	W/RR MT TK(NLB)
NM1	83	84	SWITZERLAND/SWEDEN EMISSION PROVISION	W/NM1(EXPORT)
NM4	76	84	EMISSION CONTROL, NON-CLOSED LOOP	W/NM4(EXPORT, CANADA)
NM5	76	84	EMISSION SYSTEM, NON-CLOSED LOOP(CANADA)	W/NM5(EXPORT, CANADA)
NM6	76	84	EMISSION CONTROL, CANADA RECALIBRATION	W/NM6(EXPORT, CANADA)
NMB	76	84	EMISSION MODIFICATION, UNLEADED GAS CONV	W/NMB(EXPORT)
NM9	76	81	DIESEL EMISSION SYSTEM, EXTERNAL EGR	W/EXTERNAL EGR(NM9)
NN1	76	84	EMISSION SYSTEM, DUAL BED MONALITHE CONV	W/NN1
NN2	76	81	EMISSION SYSTEM, SINGLE BED MONALITHE CONV	W/NN2
NN3	76	84	EMISSION SYSTEM, SINGLE BED BEAD CONV	W/NN3
NN4	82	83	TANK, FUEL 60 GAL	W/60 GAL TK(NN4)
NN6	82	84	EGR, REVERSE FLOW	W/NN6
NN7	82	84	FUEL FILLER DOOR-DELETE LOCK	(EXC FIL DR LK)
NN9	82	84	EMISSION SYSTEM, LEADED FUEL(EXPORT)	W/NN9(EXPORT)
NP1	76	81	V6 ECONOMY EQUIPMENT	W/FUEL ECON EQUIP(NP1)
NP5	76	84	WHEEL, STRG(LEATHER WRAPPED)	W/NP5
NP7	82	84	STEERING COLUMN	W/NP7(EXPORT)
NQ5	84	85	CAP, STEERING WHEEL HORN DELUXE	W/DLX HORN CAP(NQ5)
NV5	84	84	SHIELD, DIFFERENTIAL CARRIER	W/NV5
NX1	82	84	WHEEL, 13X5 PA(HSLA STL)	W/PA WHL(NX1)
NY1	76	84	PLATE, FUEL TK SHIELD & SKID	W/NY1
NY2	84	84	STEERING, SLOW RATIO	W/NY2
NY6	76	84	GEAR, P. S. TYPE 605	W/P. S. (NY6)
NY7	76	84	SHIELD, TRFER CASE	W/NY7
NY8	76	84	GEAR, P. S. TYPE 800	W/P. S. (NY8)
NO4	76	84	LOCK, GAS CAP REM CONT	W/NO4
NO5	76	84	CAP, LK GAS(EXPORT)	W/LK CAP(NQ5)(EXPORT)
NO8	76	84	FILLER, FUEL TK DR REM CONT LK	W/LK DR FIL(NQ8)
NO9	82	84	LOCK, FUEL FIL DR	W/FIL DR LK(NQ9)
N10	76	84	EXHAUST SYSTEM, DUAL	W/DUAL EXH(N10)
N16	76	84	EMISSION SYSTEM, INTERNAL EGR W/E P.R.	W/N16
N18	82	84	LOCKING KIT, SIMULATED WIRE WHL CVR	W/LK WHL CVR(N18)
N20	76	81	TANK, FUEL 50 GAL	W/50 GAL TK(N20)
N23	82	84	TANK, FUEL 83 LITER(22 GAL)	W/83 LITER TK(N23)
N24	82	84	WHEEL, CAST ALUM	W/ALUM WHL(N24)
N30	76	84	WHEEL, STRG(DLX)	W/DLX STRG WHL(N30)
N31	76	84	WHEEL, STRG(CUST)	W/CUST STRG WHL(N31)
N32	76	84	WHEEL, STRG(CUST)	W/CUST STRG WHL(N32)
N33	76	84	COLUMN, STRG(TILT TYPE)	W/TILT WHL(N33)
N34	76	84	WHEEL, STRG(CUST SPORT)	W/SPORT STRG WHL(N34)
N36	82	84	WHEEL, STRG(SPORT)	W/SPORT STRG WHL(N36)
N37	76	84	COLUMN, STRG(TILT & TELESCOPIC)	W/T&T WHL(N37)
N40	76	84	STEERING, HYD(NON-VARIABLE)	W/P. S. (N40)
N41	76	84	STEERING, HYD(VARIABLE RATIO)	W/P. S. (N41)
N46	84	84	WHEEL, STRG (4 SPOKE) VINYL	W/VNL STRG WHL(N46)
N49	76	81	WHEEL, STRG, CAP ONLY, SPORTY	W/SPORT STRG WHL(N49)
N51	76	81	STEERING, MAN	W/MAN STRG(N51)
N51	82	84	STEERING, MAN	(EXC P. S.)
N60	76	84	WHEEL, ALUM	W/ALUM WHL(N60)
N65	76	84	WHEEL & TIRE, STOWAWAY SPA	W/STOWAWAY SPA(N65)
N66	84	84	WHEEL, RALLY TYPE	W/RALLY WHL(N66)
N66	76	83	WHEEL, RALLY TYPE(VAR 1)	W/STYLED SPORT WHL(N66)
N67	76	84	WHEEL, RALLY TYPE(VAR 2)	W/RALLY WHL(N67)
N68	76	81	SPARE TIRE & WHL CONVENTIONAL	W/SPA TIRE(N68)
N69	76	81	WHEEL, GOLD STYLED 13 X 6.00	W/GOLD STYLED WHL(N69)
N70	82	84	WHEEL, PAINTED(13X5.5)	W/PA WHL(N70)
N71	82	83	WHEEL, CUST SPORT	W/CUST WHL(N71)
N72	76	83	WHEEL, CUST SPORT(15 IN)	W/CUST WHL(N72)
N73	76	81	WHEEL EQUIPMENT, CUSTOM SPORT	W/CUST SPORT(N73)
N77	76	81	WHEELS, 13 X 6 ALUM HUB CAPS & WHL NUTS	W/ALUM WHL(N77)
N78	76	84	WHEEL, ALUM CAST(14X6)	W/ALUM WHL(N78)
N81	76	84	TIRE, SPA(FULL SIZE RADIAL)	W/RADIAL SPA(N81)
N82	76	81	WHEEL EQUIPMENT, CUST SPORT, 15 X 6.0	W/CUST SPORT(N82)
N83	76	84	WHEEL, CUST SPORT(15X7)(CHR STYLED)	W/CUST SPORT WHL(N83)
N84	84	84	SPARE TIRE (DELETE)	(EXC SPA TIRE)
N85	82	84	WHEEL, H.D. (14X6)	W/H.D. WHL(N85)
N86	82	84	WHEEL, POLYCAST(13X5.5)	W/POLYCAST WHL(N86)
N89	76	84	WHEEL, TURBO ALUM	W/TURBO ALUM WHL(N89)
N90	76	84	WHEEL, ALUM	W/ALUM WHL(N90)
N91	76	84	COVER, W/LK, SIMULATED WIRE WHL	W/SIM WIRE WHL LK CVR(N91)
N92	76	81	COVER, SIM WIRE WHL, COLOR CODED	W/SIM WIRE WHL(N92)
N94	76	81	SIMULATED WIRE WHL DISC, 14 IN	W/SIM WIRE WHL(N94)
N95	76	84	COVER, SIMULATED WIRE WHL	W/SIM WIRE WHL(N95)

GM PRODUCTION OPTIONS

RPO	FY	LY	DIVISIONAL RPO DESCRIPTION	WDDGM RPO DESCRIPTION
N96	76	81	COVER, SIM CHROME WHEEL 15 IN.	W/SIM CHR WHL(N96)
N96	84	84	WHEEL, ALUMINUM CAST 16 X 8	W/CAST WHL(N96)
N97	76	84	WHEELS, H. D. (15X7)	W/N97
N98	76	84	WHEEL, RALLY II ROAD(CHR)	W/RALLY II WHL(N98)
N99	76	84	WHEEL, H. D. (15X6)	W/N99
PA1	76	81	COVER, WHEEL TR, WIRE 15 IN. (BUICK)	W/SIM WIRE(PA1)
PA1	76	81	COVER, WHEEL TR, DELUXE 15 IN. (OLDS)	W/DLX CVR(PA1)
PA1	82	84	COVER, DLX WHL TR(15 IN)	W/DLX CVR(PA1)
PA3	76	81	COVER, DELUXE WHEEL TR, 13, 14 OR 15 IN.	W/DLX CVR(PA3)
PA4	76	84	CAPS, HUB WHL CVR(PAINTED)	W/PA CAP(PA4)
PA5	88	4	CAP, HUB(SPORT)	W/SPORT CAP(PA5)
PA6	76	84	WHEEL, STYLED(PAINTED)	W/STYLED WHL(PA6)
PB1	76	84	DISC, WHL(15 IN)	W/DLX DISC(PB1)
PB2	76	84	COVER, WHL TR(ABS PLSTC)(15 IN)	W/DLX CVR(PB2)
PB4	82	84	LOCK KIT, ALUM WHL	W/PB4
PB5	82	84	WHEEL, 13X5.5 MILD STL	W/PB5
PB6	82	84	WHEEL, INCREASED SIZE(14")	W/PB6
PB7	82	84	WHEEL, 14 X 6 PAINTED STYLE	W/STYLED WHL(PB7)
PC1	76	84	WHEEL, 14X6(COLOR CODED)	W/PC1
PC3	76	81	WHEEL, 14 X 6 POLYCAST	W/POLYCAST WHL(PC3)
PC6	82	84	WHEEL, 14X5.5	W/PC6
PD7	84	84	WHEEL, 14 X 6.5 CAST ALUMINUM	W/CAST ALUM(PD7)
PD8	85	85	WHEEL, 14 X 6 STYLED ALUM	W/STYLED ALUM WHL(PD8)
PD9	84	84	WHEEL, 13 X 5.0 MILD STEEL	W/PD9
PE1	76	84	WHEEL, 14 X 7 POLYCAST	W/POLYCAST WHL(PE1)
PE2	76	81	WHEEL, 15 X 7 POLYCAST, COLOR CODED	W/POLYCAST WHL(PE2)
PE3	76	81	WHEEL, 14 X 7 POLYCAST, COLOR	W/POLYCAST WHL(PE3)
PE4	76	83	WHEEL, 14X7 POLYCAST(TURBINE OES)	W/POLYCAST WHL(PE4)
PE5	82	83	WHEEL, RALLY V	W/RALLY WHL(PE5)
PG3	82	84	WHEEL, 14 X 6.5 FORGED ALUM	W/FORGED ALUM(PG3)
PG4	82	84	WHEEL, 14 X 5.5 ALUMINUM	W/ALUM WHL(PG4)
PG5	82	84	WHEEL, 15X6 CAST ALUM	W/CAST WHL(PG5)
PG9	82	84	WHEEL, LIGHT METAL ALLOY	W/PG9
PH1	82	84	WHEEL, 15X7JJ	W/PH1
PH2	76	84	WHEEL, 15X6JJ	W/PH2
PH4	76	81	WHEEL, 15 X 7, STL STYLED	W/STYLED WHL(PH4)
PH5	84	84	WHEEL, 14 X 6 FORGED ALUMINUM	W/ALUM WHL(PH5)
PH6	82	84	WHEEL, 15X6	W/PH6
PH7	82	83	WHEEL, 15X7 FORGED ALUM	W/ALUM WHL(PH7)
PH8	76	84	WHEEL, WIRE	W/WIRE WHL(PH8)
PX1	84	84	WHEEL, 13 X 5.5 CAST ALUMINUM	W/CAST ALUM(PX1)
PX2	82	84	WHEEL, RR(ALUM)	W/ALUM WHL(PX2)
PX3	83	83	WHEEL, 13 X 5 HSLA	W/PX3
PY4	84	84	WHEEL, 14 X 5.5 LIGHT METAL ALLOY	W/PY4
PO1	76	84	COVER, DLX WHL TR	W/DLX CVR(PO1)
PO2	76	84	COVER, CUST WHL TR	W/CUST CVR(PO2)
PO3	76	84	CAP, BRI METAL HUB	W/BRI CAP(PO3)
PO5	76	81	WHEEL, CHROME (BUICK)	W/CHR WHL(PO5)
PO5	76	81	WHEEL, HONEYCOMB (PONTIAC)	W/HONEYCOMB WHL(PO5)
PO5	82	84	WHEEL, CHR	W/CHR WHL(PO5)
PO6	76	84	RING, WHL TR	W/TR RG(PO6)
PO8	76	84	COVER, WHL(SUPER DLX)	W/SUPER DLX CVR(PO8)
P10	76	84	CARRIER, SPA TIRE	W/FRM MT WHL CARR(P10)
P11	76	84	CARRIER, GLIDE OUT SPA TIRE	W/GLIDE OUT WHL CARR(P11)
P12	76	84	WHEEL, 14X6 CHR	W/CHR WHL(P12)
P13	76	84	CARRIER, SPA TIRE SI MT	W/SI MT WHL CARR(P13)
P14	76	84	CARRIER, I/S MT SPA TIRE, LH	W/I/S MT LH WHL CARR(P14)
P15	82	84	CARRIER, I/S MT SPA TIRE, RR	W/I/S MT RR WHL CARR(P15)
P17	76	84	COVER, SPA WHL & TIRE	W/P17
P20	82	83	CAP, BRI ALUM HUB	W/BRI CAP(P20)
P41	82	84	TIRE (EXPORT)	W/P41(EXPORT)
P42	82	84	TIRE, SELF SEALING	W/P42
QE6	84	84	WHEEL, 16.5 X 6	W/QE6
Q34	76	84	WHEEL, 19.5 X 6	W/Q34
RO4	76	84	WHEELS, SINGLE RR	W/SINGLE RR WHLS(RO4)
RO5	82	84	WHEELS, DUAL RR CONVERSION	W/DUAL RR WHLS(RO5)
TL1	76	84	GRILLE, SPL	W/SPL GRL(TL1)
TL4	76	81	GRILLE, PAINTED	W/PA GRL(TL4)
TL4	82	82	GRILLE, CUSTOM	W/CUST GRL(TL4)

MICROFICHE INDEX
GROUPS 0.000 THRU 2.000 & 21.000
FICHE 1 OF 6

GROUP DESCRIPTION	STARTING GRID LOCATION	
	PARTS	ILLUSTRATIONS
INTRODUCTION	A-6	J-2
GENERAL INFORMATION	A-2	J-2
ALPHABETICAL INDEX	C-11	N.A.
INDEX FOR ADDITIONAL INFORMATION	A-5	N.A.
0.000 ENGINE - CLUTCH	D-12	J-6
1.000 COOLING - GRILLE - OIL SYSTEM	E-11	K-15
2.000 CHASSIS WIRING - LAMPS	G-13	L-7
21.000 ACCESSORY REFERENCE LIST	D-9	N.A.
OUT OF FICHE CALLS	N.A.	N-2

C-1

GM PRODUCTION OPTIONS

RPO	FY	LY	DIVISIONAL RPO DESCRIPTION	WDDGM RPO DESCRIPTION
TL4	83	84	GRILLE, PAINTED	W/PA GRL(TL4)
TL6	76	84	GRILLE, BLACK	W/BLK GRL(TL6)
TN4	82	83	ROD, HOOD OPEN ASSIST	W/HOOD ASST ROD(TN4)
TP1	76	81	BATTERY, HIGH CAPACITY	W/BAT(TP1)
TP2	76	84	BATTERY, AUX CAMPER	W/AUX BAT(TP2)
TR9	76	84	LAMP GROUP	W/TR9
TT4	82	84	HEADLAMPS, TUNGSTEN QUARTZ HALOGEN	W/QUARTZ HDLP(TT4)
TT5	76	84	HEADLAMPS, TUNGSTEN QUARTZ HALOGEN	W/QUARTZ HDLP(TT5)
TU2	76	84	LAMP, RR MKR	W/RR MKR LP(TU2)
T38	76	84	LAMPS, PK & TURN SIG(AMBER LENS)	W/T38
T41	82	84	SHEET METAL, FRT END SPECIAL	W/T41
T43	84	84	SPOILER, REAR	W/RR SPLR(T43)
T44	76	83	LOCK, INTR OPER HOOD	W/T44
T45	76	84	HOOD, ALUM	W/ALUM HOOD(T45)
T46	76	83	HOOD, STL	W/STL HOOD(T46)
T47	76	84	HOOD, TURBO ALUM	W/TURBO HOOD(T47)
T48	76	81	HOOD, RAM AIR SHAKER	W/T48
T49	82	33	HOOD, SPORT STEEL	W/SPORT STL HOOD(T48)
T52	76	84	ORNAMENT, FRT FDR	W/T52
T63	76	84	BUZZER, HDLP ON WRNG	W/HDLP WRNG(T63)
T70	76	81	HEADLAMPS, LHR ROUND(EXPORT)	W/T70(EXPORT)
T72	76	84	HEADLAMPS, LH(2 RECTANGULAR)(EXPORT)	W/T72(EXPORT)
T79	82	84	LAMPS, RR FOG(EXPORT)	W/T79(EXPORT)
T80	76	84	HEADLAMPS, AUTO BEAM CONT	W/GUIDEMATIC(T80)
T81	82	84	LAMP, DLX TAIL & STOP	W/DLX LP(T81)
T82	76	84	SENTINEL, TWILIGHT	W/TWILIGHT SENT(T82)
T83	76	84	HEADLAMP, DR(SPL)	W/T83
T84	76	84	HEADLAMP, RH RULE OF ROAD(EXPORT)	W/T84(EXPORT)
T85	76	84	HEADLAMP, LH RULE OF ROAD(EXPORT)	W/T85(EXPORT)
T86	84	84	LAMPS, BACKUP	W/T86
T87	76	84	LAMP, COR	W/COR LP(T87)
T89	82	84	LAMP, SIG & MKG(EXPORT)	W/T89(EXPORT)
T90	76	84	LAMP, SIG & MKG(EXPORT)	W/T90(EXPORT)
T93	76	84	LAMP, TAIL & STOP(SPECIAL)	W/SPL TAIL & STOP LP(T93)
T96	82	84	LAMPS, FRT FOG	W/T96
UA1	76	84	BATTERY, H. D.	W/H. D. BAT(UA1)
UA2	76	84	SENTINEL, MILES PER GAL DIGITAL READOUT	W/UA2
UA6	76	84	DETERRENT SYSTEM, THEFT	W/ANTI-THEFT(UA6)
UA8	82	84	BATTERY SYSTEM, RESV PWR	W/RESV PWR BAT(UA8)
UB7	76	81	CLUSTER ASM, TRIP ODOMETER	W/TRIP ODOM(UB7)
UB8	82	84	HORN PACKAGE	W/HORN(UB8)
UD1	82	84	CLUSTER, I/P(OIL & WAT)	W/GA(UD1)
UD2	84	84	ALARM, VEHICLE SPEED(105 KPH)(EXPORT)	W/105 ALARM(UD2)(EXPORT)
UD4	84	84	ALARM, VEHICLE SPEED(120 KPH)(EXPORT)	W/120 ALARM(UD4)(EXPORT)
UD6	94	84	OVERTEMP, EXHAUST	W/UD6(EXPORT)
UD8	76	84	CLOCK, VAC FLORESCENT DIGITAL	W/DIGIT CLK(UD8)
UE8	76	84	CLOCK, ELEC DIGITAL	W/DIGIT CLK(UE8)
UF2	76	84	LAMP, CARGO	W/CARGO LP(UF2)
UF3	76	81	LAMP, SUN VISOR SUPPORT MAP	W/MAP LP(UF3)
UF7	76	84	GAGE, I/P((EXC TACH)	W/GA(UF7)
UH1	76	81	ELECTRONIC LAMP MONITORING SYSTEM	W/LP MONITOR(UH1)
UH9	84	84	CLUSTER, I/P(WAT TEMP, TRIP ODO, TURBO BOOS)	W/GA(UH9)
UJ1	82	84	INDICATOR, BRAKE WARNING SYSTEM	W/IND(UJ1)
UJ3	76	84	INDICATOR, WATER IN FUEL	W/IND(UJ3)
UJ5	82	84	CLUSTER, I/P(WAT TEMP, TRIP ODO & VOLTMETER	W/GA(UJ5)
UJ9	84	84	CLUSTER, I/P(COOL TEMP, VOLT, TACH)	W/GA(UJ9)
UK1	82	84	RADIO FREQUENCY(JAPANESE)	W/UK1(EXPORT)
UK2	82	84	LEVER, DIR SIG(EXPORT)	W/UK2(EXPORT)
UK3	84	84	ELECTRONIC SYSTEM, ACCESSORY CONTROL	W/ELEK ACSRY CONT(UK3)
UL1	82	84	RADIO, AM/FM STEREO(W/O SEEK/SCAN)	W/STEREO(UL1)
UL2	82	84	RADIO FREQUENCY(EUROPEAN)	W/UL2(EXPORT)
UL3	82	83	RADIO, W/DIGITAL CLK, AM/FM STEREO	W/STEREO(UL3)
UL5	82	84	RADIO, DELEFE	(EXC RDO)
UL6	82	84	RADIO, W/CLK, AM PUSHBUTTON	W/MONO(UL6)
UL7	82	83	RADIO, AM/FM PUSHBUTTON W/DIGITAL CLK	W/MONO(UL7)
UL8	82	83	RADIO, W/DIGITAL CLK, AM/FM STEREO TAPE	W/STEREO(UL8)
UL9	82	84	RADIO, W/DIGITAL CLK, AM/FM STEREO CASSETTE	W/STEREO(UL9)
UM1	76	83	RADIO, AM PUSHBUTTON TAPE	W/STEREO(UM1)
UM2	76	83	RADIO, AM/FM STEREO PUSHBUTTON TAPE	W/STEREO(UM2)
UM3	76	81	RADIO, AM/FM STEREO, CLOCK & C. B.	W/C. B. (UM3)
UM4	76	84	RADIO, W/DIGITAL CLK, AM/FM STEREO TAPE ETR	W/STEREO(UM4)
UM5	76	83	RADIO, W/CLK, AM/FM STEREO TAPE, REM C. B.	W/C. B. (UM5)

GM PRODUCTION OPTIONS

RPO	FY	LY	DIVISIONAL RPO DESCRIPTION	WDDGM RPO DESCRIPTION
UM6	76	84	RADIO, AM/FM STEREO CASSETTE ETR	W/STEREO(UM6)
UM7	76	84	RADIO, AM/FM STEREO ETR W/DIGITAL READOUT	W/STEREO(UM7)
UM8	82	84	RADIO, AM/FM STEREO TAPE ETR	W/STEREO(UM8)
UN1	76	83	RADIO, AM/FM STEREO CASSETTE, C. B.	W/C. B. (UN1)
UN2	76	81	RADIO, AM/FM STEREO SIGNAL SEEKING	W/STEREO(UN2)
UN3	76	81	RADIO, AM/FM STEREO CASSETTE	W/STEREO(UN3)
UN3	82	84	RADIO, AM/FM STEREO CASSETTE	W/STEREO(UN3) (EXPORT)
UN4	76	84	CARTRIDGE, DELETE (EXPORT)	W/UN4 (EXPORT)
UN5	76	84	RADIO, AM/FM STEREO CASSETTE, C. B. ETR	W/C. B. (UN5)
UN8	76	84	RADIO, C. B.	W/C. B. (UN8)
UN9	76	84	RADIO SUPPRESSION EQUIP	W/UN9
UP1	76	83	RADIO, AM/FM STEREO TAPE, C. B.	W/C. B. (UP1)
UP4	76	81	RADIO, AM/FM STEREO C. B.	W/C. B. (UP4)
UP5	76	81	RADIO, AM/FM MONO C. B.	W/C. B. (UP5)
UP6	76	84	RADIO, AM/FM STEREO C. B.	W/C. B. (UP6)
UP7	76	84	RADIO, MONUAPAL INSTL PROVISIONS	W/UP7
UP8	76	84	RADIO, STEREO INSTL PROVISIONS	W/UP8
UQ1	76	84	RADIO, STEREO ETR INSTL PROVISIONS	W/UQ1
UQ2	76	81	RADIO, FULL FEATURE STEREO	W/UQ2
UQ3	76	81	AUDIO PWR BOOSTER	W/AUDIO PWR BOOSTER(UQ3)
UQ4	82	84	SPEAKER SYSTEM, BOSE 4-SPKR W/AMPS	W/UQ4(BOSE)
UQ5	84	84	SPEAKER, 4 FRT DOOR COAX RR 1/4 E. R.	W/UQ5
UQ7	84	84	SPEAKER SYSTEM, SUBWOOFER	W/UQ7
UQ9	84	84	SPEAKER SYSTEM (DELETE)	(EXC SPEAKER)
UR1	76	83	GAGE, FUEL ECON	W/ECON GA(UR1)
UR3	76	84	LIGHT, FUEL ECON IND	W/ECON IND(UR3)
UR4	76	81	GAGE, TURBO BOOST	W/TURBO BOOST GA(UR4)
US6	82	84	ANTENNA, FIXED MAST (BLACK)	W/FIXED ANT(US6) (BLACK)
US7	84	84	ANTENNA, POWER (BLACK)	(EXC C. B.) (BLACK)
UT1	76	84	BUZZER, TONE GEN WRNG	W/UT1
UT2	84	84	RADIO, AM/FM STEREO ETR (REMOTE CONT)	W/STEREO(UT2)
UT3	84	84	RADIO, AM/FM STEREO ETR CASS (REMOTE CONT)	W/STEREO(UT3)
UT4	84	84	RADIO, AM/FM STEREO ETR CASS W/EQ (REM CONT)	W/STEREO(UT4)
UU1	76	81	RADIO, AM/FM STEREO, MTR (FULL FEATURE)	W/UU1
UU2	76	81	RADIO, AM/FM STEREO, CASSETTE, MTR (FULL FEA)	W/UU2
UU3	76	81	RADIO, AM/FM STEREO, 8-TRACK, MTR (FULL FEA)	W/UU3
UU4	76	83	RADIO, AM/FM STEREO CASSETTE DIGITAL DISPLAY	W/STEREO(UU4)
UU5	76	83	EQUALIZER, STEREO GRAPHIC	W/UU5
UU6	82	84	RADIO, AM/FM STEREO CASSETTE ETR W/CLK	W/STEREO(UU6)
UU7	82	84	RADIO, AM/FM STEREO CASSETTE ETR	W/STEREO(UU7)
UU8	82	84	RADIO, AM/FM STEREO CASSETTE ETR (DOLBY)	W/STEREO(UU8)
UU9	82	84	RADIO-AM-FM STEREO, ETR, W/O SEEK/SCAN & CLK	W/STEREO(UU9)
UV1	84	84	REMINDER, VOICE SYNTHESIS	W/VOICE REMINDER(UV1)
UW1	82	84	CLUSTER, DIAGNOSTIC	W/DIAGNOSTIC(UW1)
UW4	84	84	SPEAKER SYSTEM, SIX (6), DUAL I/P & F/D	W/UW4
UW6	84	84	SHELF, DUAL EXT RANGE PKG	W/UW6
UW8	82	84	RETAINER, GARAGE DOOR TRANSMITTER	W/UW8
UW9	82	84	OPENER, GARAGE DR REM CONT	W/GARAGE DR OPENER(UW9)
UX6	76	84	SPEAKER, DUAL FRT DASH MT	W/UX6
UX7	76	84	SPEAKER, DUAL FRT DR MT, EXTENDED RANGE HR	W/UX7
UX9	76	81	SPEAKER, FRT	W/UX9
UY1	76	84	WIRING, CAMPER	W/CAMPER WRG(UY1)
UY7	76	84	WIRING, CAMPER H. O.	W/CAMPER WRG(UY7)
UY8	76	81	RADIO, AM/FM STEREO, DIGITAL CLK	W/STEREO(UY8)
UY9	76	84	SPEEDO, KILO/MILES MECH DISPLAY	W/SPEEDO(UY9)
UO1	76	84	LAMP, RF MKR	W/RF MKR LP(UO1)
UO2	76	84	SPEEDO, KILO/MILES (DIGITAL)	W/SPEEDO(UO2)
UO3	82	84	HORN, NOISE REG (EXPORT)	W/UO3 (EXPORT)
UO5	76	84	HORN, DUAL	W/DUAL HORNS(UO5)
UO9	82	84	HORN, FOURNOTE	W/FOURNOTE HORN(UO9)
UI4	76	84	GAGE, I/P	W/RALLY GA(UI4)
UI6	76	84	TACHOMETER	W/TACH(UI6)
UI7	76	84	CLUSTER, INST (OIL, COOLANT, AMM, CLK, GAS, TACH)	W/GA(UI7)
UI8	76	84	SPEEDO, I/P (EXPORT)	W/UI8 (EXPORT)
UI9	76	84	SPEEDO, I/P (CANADIAN)	W/SPEEDO(UI9) (CANADIAN)
U21	76	84	CLUSTER, W/TACH, I/P	W/GA(U21)
U22	76	84	CLUSTER, I/P (EXC TACH)	W/GA(U22)
U23	76	84	SPEEDO, W/TRIP ODOM	W/TRIP ODOM(U23)
U25	76	84	LAMP, LUG COMPT	W/LUG COMPT LP(U25)
U26	76	84	LAMP, ENG COMPT	W/ENG COMPT LP(U26)
U27	76	84	LAMP, I/P COMPT	W/I/P COMPT LP(U27)
U28	76	84	LAMP, ASH TRAY	W/ASH TRAY LP(U28)
U29	76	84	LAMP, I/P CTSY	W/CTSY LP(U29)

GM PRODUCTION OPTIONS

RPO	FY	LY	DIVISIONAL RPO DESCRIPTION	WDDGM RPO DESCRIPTION
U30	76	83	GAGE, AUX INST	W/GA(U30)
U35	76	84	CLOCK, ELEC (NON-DIGITAL)	W/STO CLK(U35)
U37	76	84	LIGHTER, CIGARETTE	W/U37
U38	76	83	WARNING, LOW COOLANT	W/CLNT WRNG(U38)
U40	76	84	TRIP MONITOR, DIGITAL READ OUT	W/DIGITAL ODOM(U40)
U41	76	84	INDICATOR, LOW FUEL	W/LOW FUEL IND(U41)
U46	76	84	MONITOR, EXTERNAL LAMP	W/LP MONITOR(U46)
U52	82	84	CLUSTER, I/P(ELECTRONIC)	W/DIGITAL(U52)
U57	76	81	PLAYER, TAPE	W/TAPE PLAYER(U57)
U58	76	84	RADIO, AM/FM STEREO PUSHBUTTON	W/STEREO(U58)
U63	76	84	RADIO, AM PUSHBUTTON	W/MONO(U63)
U64	76	84	SPEAKER, DUAL FRT DASH, DUAL STD RANGE RR	W/U64
U65	76	84	SPEAKER, 4-DUAL FRT DR MT, DUAL STD RANGE RR	W/U65
U66	76	84	SPEAKER, DUAL FRT DASH MT, DUAL EXTD RANGE RR	W/U66
U67	76	81	RADIO, RR CONT	W/STEREO(U67)
U69	76	84	RADIO, AM/FM MONO PUSHBUTTON	W/MONO(U69)
U72	76	81	ANTENNA, AUTO PWR	W/PWR ANT(U72)
U73	76	84	ANTENNA, STD(FIXED MAST)	W/FIXED ANT(U73)
U74	76	81	ANTENNA, PWR RDO & C.B.	W/PWR ANT(U74)
U75	76	84	ANTENNA, PWR FDR	(EXC C.B.)
U76	76	84	ANTENNA, W/S EMBEDDED	W/W/S ANT(U76)
U79	84	84	SPEAKER, 4 DUAL FRT COAX, DUAL ETR RR	W/U79
U80	76	84	SPEAKER, RR AUX	W/RR AUX SPKR(U80)
U81	76	84	SPEAKER, DUAL RR	W/DUAL RR SPKR(U81)
U83	76	84	ANTENNA, ELEC, RDO & 40 CHAN C.B.	W/C.B.
U89	76	84	HARNES, 5-WIRE CAR TRLR WRG	W/5-WIRE TRLR CBL(U89)
U90	76	81	HARNES, RF FLASHER W/RF PNL REINF	W/RF FLSHR(U90)
U92	76	81	SPEAKERS, FRT DUAL & RR DUAL	W/U92
U93	82	83	ANTENNA, MAN AM/FM C.B. TRIBAND	W/MAN ANT(U93)
U94	76	83	CABLE, 7-WIRE LIGHT TRLR(VAR 3)	W/7-WIRE TRLR CBL(U94)
U95	76	81	SPEAKERS, DOOR	W/U95
U96	76	84	SPEAKER, CONCERT SOUND(6 TOTAL)	W/U96
VA2	76	84	SUPPORT, RAD(STL)	W/STL RAD SUPT(VA2)
VA3	76	83	SUPPORT, RAD(ALUM)	W/ALUM RAD SUPT(VA3)
VB2	76	84	BUMPER, W/IMPACT STRIP, RR STEP(PAINTED)	W/PA STEP BPR(VB2)
VB3	76	84	BUMPER, W/IMPACT STRIP, RR STEP(CHR)	W/CHR STEP BPR(VB3)
VB4	76	84	SAUDI ARABIA PKG(EXPORT)	W/VB4(EXPORT)
VD1	76	84	EUROPEAN MODIFICATIONS(EXPORT)	W/VD1(EXPORT)
VD2	76	81	MOLDING, BPR	W/MLDG(VD2)
VD4	82	83	REINFORCEMENT, FRT BPR(STL)	W/STL FRT BPR REINF(VD4)
VD5	82	84	REINFORCEMENT, RR BPR(STL)	W/STL RR BPR REINF(VD5)
VD6	82	84	REINFORCEMENT, FRT BPR(ALUM)	W/ALUM FRT BPR REINF(VD6)
VD7	82	84	REINFORCEMENT, RR BPR(ALUM)	W/ALUM RR BPR REINF(VD7)
VE1	76	84	JAPANESE MODIFICATIONS(EXPORT)	W/VE1(EXPORT)
VE5	76	84	STRIP, FRT & RR BPR IMPACT	W/IMPACT STR(VE5)
VE6	76	84	BUMPER, FRT & RR PA(W/IMPACT STRIPS)	W/FRT & RR PA BPR(VE6)
VF1	76	84	BUMPER, RR CHR	W/CHR BPR(VF1)
VF5	76	81	BUMPER, CAR COLOR	W/RUB BPR STR(VF5)
VF6	76	84	BUMPER, RR STEP	W/STEP BPR(VF6)
VF9	76	81	BUMPER, FTR & RR RUB PROTECTED, W/GUARDS	W/VF9
VG3	76	84	STRIP, FRT BPR IMPACT	W/IMPACT STR(VG3)
VG5	76	84	STRIP, RR BPR IMPACT	W/IMPACT STR(VG5)
VG7	76	81	REINFORCEMENT, FRT BPR	W/FRT BPR REINF(VG7)
VG8	76	81	REINFORCEMENT, RR BPR(CALIF & FLORIDA)	W/RR BPR REINF(VG8)
VG9	76	81	GUARD, FRT BPR	W/GUARD(VG9)
VH6	82	84	BLACK BUMPER	W/BLK BPR(VH6)
VH7	84	84	BUMPER, CUSTOM	W/CUST BPR(VH7)
VID	76	81	RADIO, AM/FM STEREO & TAPE W/O EJECT	W/STEREO(VID)
VJ5	82	84	MOUNTING, LICENSE PLATE	W/LIC MTG(VJ5)(EXPORT)
VJ6	82	84	POCKET, LIC PLT RR	W/RR LIC PLT PKT(VJ6)
VJ7	82	84	BRACKET, W/LAMP, RR LIC PLT	W/RR LIC PLT BRKT & LP(VJ7)
VJ9	76	84	CALIFORNIA EMISSION COMPLIANCE INFORMATION	W/CALIF(VJ9)
VK1	76	83	PLATE, FRT LIC MT PKG-DELETE	(EXC FRT PLT MT PKG)
VK3	76	84	MOUNTING, FRT LIC PLT	W/FRT LIC MT(VK3)
VL4	84	84	PLATE, FRT MTG LIC	W/VL4(EXPORT)
VN1	76	81	CALIF MODIFICATIONS	W/VN1
VN2	76	81	GEORGIA MODIFICATIONS	W/VN2
VN3	76	81	FLORIDA MODIFICATIONS	W/VN3
VP1	82	83	SPOILER, LWR FRT	W/FRT SPLR(VP1)
VP6	82	83	NOISE LEVEL CONTPOL	W/VP6
VR2	76	84	HITCH, TRLR(DEAD WT)	W/STD HITCH(VR2)
VR4	76	84	HITCH, TRLR(WT DISTRIBUTING PLTF)	W/EQLZR HITCH(VR4)

GM PRODUCTION OPTIONS

RPO	FY	LY	DIVISIONAL RPO DESCRIPTION	WDDGM RPO DESCRIPTION
VR5	76	81	BALL, TRAILER HITCH (1 7/8")	W/1 7/8" BALL (VR5)
VR6	76	81	BALL, TRAILER HITCH (2")	W/2" BALL (VR6)
VT3	76	84	BUMPER, W/IMPACT STR, FRT PAINTED (DLX)	W/FRT PA BPR (VT3)
VT4	76	84	BUMPER, W/IMPACT STR, RR PAINTED (DLX)	W/RR PA BPR (VT4)
VT7	82	84	EXPORT, UNREGULATED COUNTRIES	W/VT7 (EXPORT)
VU9	84	84	FLASHLITE MTG	W/VU9 (EXPORT)
VIH	76	81	PAINT, TWO TONE	W/TWO TONE (VIH)
V45	76	81	DELEGANCE	W/DELEGANCE (V45)
V45	83	85	BROUGHAM DELEGANCE	W/BROUGHAM DELEGANCE (V45)
V4T	76	84	DELEGANCE	W/DELEGANCE (V4T)
V4W	76	84	DISC, WHL TURBINE	W/WHL DISC (V4W)
V01	76	84	RADIATOR, H. D.	W/H. D. C. (V01)
V02	76	84	RADIATOR, H. D. W/H. D. TRANS OIL COOLER	W/H. D. C. (V02)
V03	82	84	RADIATOR, EXTRA CAPACITY COOLING	W/H. D. C. (V03)
V05	76	84	COOLING, H. D.	W/H. D. C. (V05)
V08	76	84	RADIATOR, H. D. COOLING	W/H. D. C. (V08)
V10	82	84	COLD CLIMATE PKG	W/COLD CLIMATE (V10)
V13	82	84	COLD CLIMATE PKG (DELETE)	(EXC COLD CLIMATE)
V22	76	84	GRILLE, RAD (CHR)	W/CHR GRL (V22)
V28	76	84	GUARD, FRT BPR (PAINTED)	W/FRT PA GUARDS (V28)
V30	76	84	GUARD, FRT & RR BPR	W/GUARDS (V30)
V31	76	84	GUARD, FRT BPR (CHR)	W/FRT CHR GUARDS (V31)
V32	76	84	GUARD, RR BPR	W/RR GUARDS (V32)
V35	84	84	BUMPER, RR W/RECESSED LIGHTS	W/RECS LT BPR (V35)
V37	76	84	BUMPER, FRT & RR (CHR)	W/CHR BPR (V37)
V38	76	81	BUMPER, RR PAINTED	W/PA BPR (V38)
V39	84	84	CONTROL I. D. INTERNATIONAL SYMBOLS	W/V39 (EXPORT)
V42	76	84	BUMPER, RR STEP (CHR)	W/CHR STEP BPR (V42)
V43	76	84	BUMPER, RR STEP (PAINTED)	W/PA STEP BPR (V43)
V46	76	84	BUMPER, FRT (CHR)	W/FRT CHR BPR (V46)
V50	82	84	FRAME, RR LIC PLT	W/LIC PLT FRM (V50)
V51	82	84	FRAME, FRT & RR LIC PLT	W/LIC PLT FRM (V51)
V54	76	83	CARRIER, RF PNL & LUG	W/RF & LUG CARR (V54)
V55	76	84	CARRIER, RF LUG	W/RF LUG CARR (V55)
V58	76	84	CARRIER, DECK LID LUG	W/LUG CARR (V58)
V62	76	81	JACK, AUTO	W/JACK (V62)
V65	76	83	BUMPER, LT DUTY	W/LT DTY BPR (V65)
V69	82	84	TRAILER PROVISIONS	W/TRLR (V69)
V70	82	84	HOOKS, TOWING (EXPORT)	W/V70 (EXPORT)
V76	76	84	HOOK, FRT TOW	W/FRT TOW HOOK (V76)
V78	82	84	PLATE, LESS CERTIFICATE OF COMPLIANCE	W/V78 (EXPORT)
V81	76	83	TRAILER PROVISIONS	W/TRLR (V81)
V82	76	83	TRAILER PROVISIONS, CLASS 2 2000-35000	W/TRLR (V82)
V83	76	81	TRAILER PROVISIONS, CLASS 3 3500-5000	W/TRLR (V83)
WA3	76	81	SEAT ADJ, 6-WAY DRIVER & PASS	W/6-WAY (WA3)
WA5	76	81	SPEAKER, DUAL FRT & RR	W/DUAL SPKR (WA5)
WB2	76	81	PROMOTIONAL PACKAGE	W/MONDAY NIGHT SPL (WB2)
WB5	75	83	ELECTRA ESTATE WAGON	W/ELECTRA ESTATE WAGON (WB5)
WB7	76	91	TOP, LANDAU FORMAL WDO GROUP	W/RR VNL (WB7)
WB9	76	81	PALM BEACH OPTION	W/PALM BEACH (WB9)
WC3	76	83	MOLDING, RKR-RR QTR & WHL OPG	W/WC3
WDB	83	84	SKYHAWK T-TYPE	W/SKYHAWK T-TYPE (WDB)
WEB	83	84	CENTURY T-TYPE	W/CENTURY T-TYPE (WEB)
WF5	76	81	TRIM, CUSTOM	W/CUST TR (WF5)
WF6	76	84	MOLDING GROUP	W/WF6
WH1	84	84	REGAL DESIGNER PACKAGE	W/REGAL DESIGNER PKG (WH1)
WH2	76	81	SKYHAWK FREE SPIRIT, DESIGN II	W/FREE SPIRIT (WH2)
WH6	76	81	NIGHT HAWK DECOR PKG	W/NIGHT HAWK (WH6)
WJ4	82	84	FIRENZA COUPE, SPECIAL EDITION	W/FIRENZA COUPE SPL EDITION (WJ4)
WJ5	84	84	CIERRA COUPE, SPECIAL EDITION	W/CIERRA SPL EDITION (WJ5)
WJ7	84	84	TRIM, INTERIOR LEATHER	W/LEA TRIM (WJ7)
WJ8	76	81	STARFIRE SX PKG	W/S. X. (WJ8)
WJ8	84	84	APPEARANCE PACKAGE, TORONADO SPECIALTY CAR	W/TORONADO APPEAR PKG (WJ8)
WK2	76	84	DELTA ROYALE BROUGHAM	W/DELTA ROYALE BROUGHAM (WK2)
WK3	84	84	DELTA ROYALE BROUGHAM "LS"	W/DELTA ROYALE BROUGHAM LS (WK3)
WK9	82	84	REGENCY BROUGHAM SEDAN	W/REGENCY BROUGHAM SEDAN (WK9)
WS4	76	84	TRANS AM OPTION	W/TRANS AM (WS4)
WS6	76	84	PERFORMANCE PACKAGE, SPECIAL	W/SPL PERF PKG (WS6)
WS7	76	84	HANDLING PACKAGE, SPECIAL	W/SPL HOL PKG (WS7)
WS9	76	81	PHOENIX APPEARANCE PKG	W/PHOENIX (WS9)
WS9	92	84	LEADER, FUEL ECON	W/WS9
WU2	76	81	GT OPTION	W/GT (WU2)

GM PRODUCTION OPTIONS

RPO	FY	LY	DIVISIONAL RPO DESCRIPTION	WDCGM RPO DESCRIPTION
WU7	76	83	SEAT,THIRD CUSTOM	W/WU7
WU9	76	81	MOLDING WINDOW REVEAL	W/WDO RVL MLDG(WU9)
WV6	76	81	GRAPHICS PKG(GOLD)	W/WV6
WV7	76	81	GRAPHICS PKG(CHARCOAL)	W/WV7
WV8	76	81	GRAPHICS PKG(BLUE)	W/WV8
WV9	76	81	GRAPHICS PKG(RED)	W/WV9
WW1	76	81	LESS CONSOLE	(EXC CNSL)
WW3	76	81	CAN AM OPTION	W/CAN AM(WW3)
WW8	76	81	GAGE RALLY,W/I/P TACH & CLK	W/RALLY GA(WW8)
WW9	83	84	SPORT LANDAU OPTION	W/SPORT LANDAU(WW9)
WX3	76	81	RAM AIR,SHAKER HOOD	W/WX3
WY5	76	81	SUSPENSION,RADIAL TUNED	W/R.T.S.(WY5)
WY5	82	84	SPECIAL HANDLING PACKAGE	W/SPL HGL PKG(WY5)
WY6	82	84	SPECIAL PERFORMANCE PACKAGE	W/SPL PERF PKG(WY6)
W02	76	81	APPLIQUE,WOODGRAIN	W/WDGRN(W02)
W03	82	84	REGAL LIMITED SEDAN OPTION	W/REGAL LIMITED SEDAN(W03)
W04	82	84	CENTURY LIMITED COUPE OPTION	W/CENTURY LIMITED COUPE(W04)
W05	82	84	REGAL LIMITED COUPE	W/REGAL LIMITED COUPE(W05)
W06	76	81	TRIM,CUSTOM	W/CUST TR(W06)
W06	84	84	CENTURY ESTATE WAGON	W/CENTURY ESTATE WAGON(W06)
W07	76	81	CENTURY SPORT COUPE	W/SPORT COUPE(W07)
W08	75	81	TRIM,CUSTOM	W/CUST TR(W08)
W09	82	84	CENTURY LIMITED SEDAN OPTION	W/CENTURY LIMITED SEDAN(W09)
W10	76	84	PARK AVENUE OPTION	W/PARK AVE(W10)
W11	82	82	REGAL SPORT COUPE	W/REGAL SPORT COUPE(W11)
W11	83	84	REGAL T-TYPE	W/REGAL T-TYPE(W11)
W12	76	81	SKYHAWK PKG	W/SKYHAWK(W12)
W13	76	81	CENTURY,TURBO COUPE	W/TURBO COUPE(W13)
W14	76	81	LESABRE SPORT COUPE	W/LESABRE SPORT COUPE(W14)
W15	76	81	TRIM,CUSTOM	W/CUST TR(W15)
W17	76	81	TRIM,INTERIOR DELUXE	W/DLX TR(W17)
W17	82	84	LIMITED PACKAGE (SKYHAWK)	W/LIMITED PKG(W17)
W18	76	82	SPORT OPTION (SKYLARK)	W/SPORT OPT(W18)
W18	83	84	SKYLARK T-TYPE	W/SKYLARK T-TYPE(W18)
W19	76	84	TRIM,CUST	W/CUST TR(W19)
W21	76	81	TRIM,CUSTOM	W/CUST TR(W21)
W22	76	83	TRIM,CUST	W/CUST TR(W22)
W24	76	81	TRIM,CUSTOM	W/CUST TR(W24)
W29	76	81	442 APPEARANCE PKG	W/442 GRP(W29)
W30	76	81	HURST/OLDS PKG	W/HURST PKG(W30)
W40	82	84	HURST/OLDS SPECIALITY CAR	W/W40
W44	76	81	CONVERTIBLE TOP,SIMULATED	W/CONVR RF APPEAR(W44)
W45	82	84	EUROPEAN COUPE	W/EUROPEAN COUPE(W45)
W47	84	84	FIRENZA "ES"	W/FIRENZA ES(W47)
W48	76	84	EUROPEAN STYLING	W/W48
W49	80	81	C-4 CLOSED LOOP	W/W49
W50	76	84	APPEARANCE GROUP,SPECIAL	W/APPEAR GRP(W50)
W51	84	84	APPEARANCE OPTION,BLACK EXTR	W/APPEAR OPT(W51)
W52	76	81	TBI,BUILT	W/W52
W53	76	81	TWO-TONE SPECIAL APPEARANCE(GRP II)	W/W53
W55	82	83	EXHAUST SYSTEM,LT WT	W/LT WT EXH(W55)
W56	82	83	EXHAUST SYSTEM,STD	W/STD EXH(W56)
W60	76	81	ESPIRIT SPECIAL APPEARANCE	W/ESPIRIT(W60)
W62	76	81	LUXURY APPOINTMENT GROUP	W/LUX TR(W62)
W62	82	84	AERO PACKAGE	W/W62
W63	76	81	GAGE & CLOCK,RALLY	W/RALLY GA(W63)
W64	76	81	SUNBIRD WAGON,SPL PARTS GRP	W/SUNBIRD GRP(W64)
W65	76	81	STEREO SPKR,W/MONO ROO	W/MONO(W65)
W65	84	84	LOCK PKG,SECURITY	W/LOCK PKG(W65)
W66	76	81	FORMULA OPT GRP	W/FORMULA(W66)
W67	76	81	ESPIRIT,LUXURY	W/ESPIRIT(W67)
W68	76	81	ESPIRIT,SPL APPEARANCE RED BIRD	W/ESPIRIT(W68)
W69	76	84	S/E OPTION (SPECIAL EDITION)	W/SPL EDITION(W69)
W70	76	81	LEMONS SPORT	W/LEMONS SPORT(W70)
W70	84	84	SPORT PACKAGE,TWO-TONE	W/SPORT PKG(W70)
W71	76	81	SEAT,CUSTOM	W/CUST ST(W71)
W72	76	81	PERFORMANCE PKG	W/PERF OPT(W72)
W73	76	81	ESPIRIT,SPECIAL APPEARANCE	W/ESPIRIT(W73)
X26	82	83	MISC EQUIPMENT-NEW ZELAND(EXPORT)	W/X26(EXPORT)
YA1	76	81	DECOR PKG,LUV TRUCK	W/DECOR PKG(YA1)
YC1	76	81	COMFORT & CONV PKG#1/MID-LEVEL	W/DECOR PKG(YC1)

GM PRODUCTION OPTIONS

RPO	FY	LY	DIVISIONAL RPO DESCRIPTION	WDDGM RPO DESCRIPTION
YC1	82	84	DURANGO EQUIPMENT	W/YC1
YC2	76	81	COMFORT & CONV PKG#2/LUXURY	W/DECOR PKG(YC2)
YC2	82	84	TAHOE EQUIPMENT	W/YC2
YC3	76	81	COMFORT & CONV PKG#3/PERSONAL LUXURY	W/DECOR PKG(YC3)
YC3	82	84	SPORT EQUIPMENT	W/YC3
YC5	85	85	DECOR PKG, COMFORT & CONV#1(MID LEVEL)	W/YC5
YC6	85	85	DECOR PKG, COMFORT & CONV#2(LUXURY)	W/YC6
YC6	76	81	WOODGRAIN, CUSTOM ESTATE	W/WOGRN(YC6)
YD1	82	84	TRAILER PKG, H.D.	W/H.D. TRLR(YD1)
YE4	76	81	INTERIOR & EXTERIOR, DELUXE	W/DLX GRP(YE4)
YE7	76	84	SPORT PKG, GMC 'SP'	W/GMC SPORT(YE7)
YE9	76	84	SILVERADO/SIERRA CLASSIC	W/SILVERADO/SIERRA(YE9)
YG1	76	84	MOLDING, BODY, SI UPR & LWR WHL OPG(PAINTED)	W/YG1
YG2	76	81	WOODGRAIN INSERT & NAMEPLATE	W/WOGRN(YG2)
YG3	82	84	MOLDING, BODY SI & WHL OPG(BRI)	W/YG3
YG5	82	84	"SS" SPORT MODIFICATION PACKAGE	W/SS PKG(YG5)
YG6	76	81	BONANZA PKG A, ROYAL SIERRA PKG A	W/YG6
YG7	76	81	BONANZA PKG B, ROYAL SIERRA PKG B	W/YG7
YG8	76	81	BONANZA PKG C, ROYAL SIERRA PKG C	W/YG8
YG9	84	84	SPECIAL COMPONENTS, CELEBRITY Z	W/CELEBRITY Z(YG9)
YH9	76	81	INTERIOR, DELUXE	W/YH9
YJ8	76	81	WHEEL, CAST ALUMINUM	W/CAST ALUM WHL(YJ8)
YK3	76	81	PACKAGE, FRT & RR SHK ABS ELIMPITCH	W/ELIM.-PITCH(YK3)
YK3	82	83	ABSORBER, FRT & RR SHK & ELIMPITCH	W/ELIM.-PITCH(YK3)
YL1	82	84	UPHOLSTERY, LEATHER/VINYL	W/YL1
YL2	82	84	PAINT, FIREMIST	W/FIREMIST(YL2)
YL4	82	84	RUB STRIPE INSERT (WHITE)	W/RUB STR INS(YL4)
YM5	82	83	STRIPE, ACNT(DELETE)	(EXC ACNT STRIPE)
YM6	76	84	HEADREST, JAPAN(EXPORT)	W/YM6(EXPORT)
YP3	76	84	ELDORADO, CUSTOM BIARRITZ	W/BIARRITZ(YP3)
YP4	76	84	ELEGANTE	W/ELEGANTE(YP4)
YP5	76	81	PHAETON, SPECIAL EDITION	W/PHAETON(YP5)
YP5	82	84	ELDORADO, TOURING COUPE OPTION	W/ELDORADO TOURING(YP5)
YP7	82	84	CIMARRON LIMITED EDITION	W/LTD EDITION(YP7)
YP8	84	84	ELDORADO CONVERTIBLE	W/ELDORADO CONVR(YP8)
YR1	76	84	SEAT, FRT CUSTOM	W/CUST ST(YR1)
YR2	76	84	SEAT, FRT DLX	W/DLX ST(YR2)
YR3	82	84	SEAT, FRT LUX	W/LUX ST(YR3)
YS1	76	84	SEAT, RR CUSTOM	W/CUST ST(YS1)
YS2	76	84	SEAT, RR DLX	W/DLX ST(YS2)
YS3	82	83	SEAT, RR LUX	W/LUX ST(YS3)
YT1	76	84	BUILD-UP, CUST DR AND QTR	W/CUST DR AND QTR(YT1)
YT2	76	84	BUILD-UP, CUST DR AND QTR(DLX)	W/CUST DR AND QTR(YT2)
YT3	82	83	BUILD-UP, LUX DR AND QTR	W/LUX DR AND QTR(YT3)
YT6	76	84	TRIM, SPL INT BUILD-UP	W/YT6
YT7	82	83	REMINDER GROUP	W/YT7
Y5A	84	84	BODY, MILITARY 5250 COMM SHELTER (TYPE E)	W/Y5A
Y5B	84	84	BODY, MILITARY AMBULANCE (TYPE C)	W/Y5B
Y5C	84	84	BODY, MILITARY TRP & CARGO CARRIER (TYPE B)	W/Y5C
Y5D	84	84	BODY, AMBULANCE (COMPLETE PKG)	W/Y5D
Y5E	84	84	GENERATOR, DUAL DELCO 66 AMP	W/66 AMP(Y5E)
Y5F	84	84	GENERATOR, DUAL DELCO 100 AMP	W/100 AMP(Y5F)
Y5G	84	84	GENERATOR, DUAL DELCO 200 AMP	W/200 AMP(Y5G)
Y5J	84	84	RADIO PROVISION, SPECIAL MILITARY	W/Y5J
Y5P	84	84	MILITARY TROOP SEATS PKG	W/Y5P
Y5R	84	84	CAB/CHASSIS, MILITARY (TYPE D)	E/Y5R
Y02	76	81	SEAT ASM, FRT CUSTOM	W/CUST ST(Y02)
Y03	76	81	SEAT ASM, RR CUSTOM	W/CUST ST(Y03)
Y06	82	84	PANEL, COWL KICK(CARPETED)	W/CPT COWL(Y06)
Y07	76	84	MOLDING, SI WOO RVL(PAINTED)	W/PA SI WOO RVL(Y07)
Y10	76	81	BUILD UP, CUSTOM DOOR & QUARTER	W/CUST DR & QTR(Y10)
Y11	76	81	SEAT ASM, SPECIAL FRT	W/SPL DES ST(Y11)
Y12	76	81	SEAT ASM, SPECIAL RR	W/SPL DES ST(Y12)
Y13	76	81	TRIM, SPECIAL DOOR	W/SPL DES TR(Y13)
Y19	76	81	MOLDING, BODY SIDE LOWER	W/BODY SI LWR(Y19)
Y40	76	81	COOLING, HEAVY DUTY	W/H.D. CLG(Y40)
Y43	76	81	ROAD HAWK PKG	W/ROAD HAWK(Y43)
Y44	82	84	REGAL SPORT COUPE, DECOR OPTION	W/REGAL SPORT COUPE(Y44)
Y48	76	81	REGAL SR PKG	W/REGAL SR(Y48)
Y48	84	84	ELECTRA T-TYPE	W/ELECTRA T-TYPE(Y48)
Y49	76	81	DESIGNER CONCEPT CAR, SOMERSET II	W/SOMERSET(Y49)
Y50	82	84	RIVIERA, SPORTY T-TYPE	W/RIVIERA T-TYPE(Y50)
Y52	82	83	REGAL DECOR OPTION	W/REGAL DECOR(Y52)

GM PRODUCTION OPTIONS

RPO	FY	LY	DIVISIONAL RPO DESCRIPTION	WDDGM RPO DESCRIPTION
Y53	84	84	RIVIERA C R T. SPECIALTY CAR	W/RIVIERA C R T. (Y53)
Y55	76	81	REMINDER PKG GROUP	W/Y55
Y57	82	84	LAMP AND INDICATOR GROUP	W/Y57
Y59	76	81	V6 ECONOMY PKG	W/FUEL ECON EQUIP (Y59)
Y59	84	84	SCHWERMET REGAL	W/SCHWERMET REGAL (Y59)
Y61	76	81	OMEGA LS	W/LS (Y61)
Y64	76	81	STARFIRE GT PKG	W/GT (Y64)
Y65	76	81	FIRENZ PKG	W/Y65
Y66	76	81	OMEGA SX PKG	W/SX (Y66)
Y67	76	81	REMINDER PKG	W/FLUID LVL IND (Y67)
Y67	82	84	REMINDER GROUP	W/Y67
Y68	76	81	CUSTOM APPEARANCE PKG	W/APPEAR PKG (Y68)
Y69	76	83	ECONOMY PACKAGE DIESEL (250 DIESEL)	W/DIESEL ECON PKG (Y69)
Y70	76	81	STRIPE BODY SI DECAL	W/ACNT STRIP (Y70)
Y71	76	84	PAINT LWR BODY SCHEME	W/Y71
Y72	76	81	TRAILER TOWING COOLING & GEN PKG	W/H D CLG (Y72)
Y74	82	84	MOLDING, RKR PNL AND WHL OPG	W/Y74
Y76	76	81	MARKETING GRP OPTION	W/Y76
Y76	82	83	REMINDER GROUP	W/Y76
Y77	76	81	ECONOMY PKG DIESEL (260 DIESEL)	W/DIESEL ECON PKG (Y77)
Y78	76	77	CUTLASS SALON OPTION	W/AK57
Y78	78	78	CUTLASS CALAIS OPTION	W/AK47
Y78	76	81	85 HOLIDAY COUPE	W/Y78
Y78	76	81	SPORT OMEGA PKG	W/SPORT PKG (Y78)
Y78	82	84	CUTLASS CALAIS	W/CUTLASS CALAIS (Y78)
Y80	76	81	EXTERIOR CUSTOM	W/CUST EXTR (Y80)
Y81	82	83	CONVERTIBLE CONVERSION PACKAGE	W/CONVR (Y81)
Y82	82	84	LIMITED EDITION OPTION	W/LIMITED (Y82)
Y83	76	81	APPOINTMENTS OPTION LJ LUXURY	W/LJ LUX (Y83)
Y83	82	83	GRAND PRIX LJ OPTION	W/GRAND PRIX LJ (Y83)
Y84	76	84	TRANS AM SPL EDITION	W/TRANS AM (Y84)
Y85	76	81	TRANS AM SPECIAL EDITION	W/Y85
Y87	76	84	BROUGHAM OPTION	W/BROUGHAM (Y87)
Y88	76	81	TRANS AM SPECIAL EDITION (GOLD)	W/Y88
Y88	83	84	SEDAN 600C STE	W/STE (Y88)
Y89	76	81	TRANS AM SILVER ANIVERSARY	W/Y89
Y89	82	83	LANDAU OPTION BROUGHAM	W/LANDAU BROUGHAM (Y89)
Y90	76	81	TRIM CUSTOM	W/CUST TR (Y90)
Y90	84	84	SPECIAL SPORT AND HANDLING PKG	W/SPORT HDL PKG (Y90)
Y91	82	84	LE OPTION	W/LE (Y91)
Y92	82	84	SE OPTION	W/SE (Y92)
Y94	82	82	J2000 S OPTION	W/S (Y94)
Y95	82	84	RALLYE OPTION	W/RALLYE (Y95)
Y96	76	81	FIRM RIDE OPTION	W/FIRM RIDE (Y96)
Y97	76	83	SJ OPTION	W/SJ (Y97)
Y97	84	84	SE OPTION	W/SE (Y97)
Y98	82	84	RIDE CONTROL SYSTEM ELECTRONIC	W/ELEK RIDE CONT (Y98)
Y99	76	84	HANDLING PACKAGE	W/HDL (Y99)
ZE1	82	84	STRIPE BODY SI LWR (ACADIAN)	W/ZE1 (CANADIAN)
ZE7	82	84	RESTRAINT ST BELT & SHLDR HARN (CANADIAN)	W/ZE7 (CANADIAN)
ZE9	82	84	STRIPE BODY SI LWP (CANADIAN)	W/ZE9 (CANADIAN)
ZF2	82	83	CAVALIER SPORTS PKG (CANADIAN)	W/ZF2 (CANADIAN)
ZF3	82	83	SPORT PACKAGE CANADIAN	W/ZF3 (CANADIAN)
ZF4	82	84	ACADIAN OPTION	W/ZF4 (CANADIAN)
ZF5	82	84	ACADIAN OPTION	W/ZF5 (CANADIAN)
ZJ1	76	81	INTERIOR TWO-TONE CUSTOM	W/CUST INTR (ZJ1)
ZJ2	76	81	EXTERIOR CUSTOM MOLDING	W/CUST EXTR (ZJ2)
ZJ5	76	81	MOLDING LWR EXTERIOR	W/LWR MLDG (ZJ5)
ZJ6	82	84	FUEL ECONOMY PKG	W/ECON PKG (ZJ6)
ZJ7	76	84	WHEEL SPL HUB CAP & TR RING	W/RALLY WHL (ZJ7)
ZJ9	76	81	LIGHTING GROUP AUXILIARY	W/AUX LTG (ZJ9)
ZK3	82	84	PACKAGE SPL INTR (EXPORT)	W/ZK3 (EXPORT)
ZL9	76	81	INTERIOR LUXURY	W/LUX INTR (ZL9)
ZM1	76	81	CARAVAN PKG	W/ZM1
ZM2	76	84	TRIM BOVAVENTURE	W/ZM2
ZM4	76	81	NOMAD/GYPSY	W/ZM4
ZM8	76	81	BEAUVILLE TRIM RALLY STX	W/ZM8
ZN1	76	81	TRAILERING PKG	W/TRLR (ZN1)
ZN5	76	81	WHEEL RALLY (PAINTED BODY COLOR)	W/RALLY WHL (ZN5)
ZQ2	82	84	OPERATING CONVENIENCE GROU	W/ZQ2
ZQ8	84	84	SPORT CHASSIS PKG	W/ZQ8
ZV8	84	84	EUROSPORT CELEBRITY	W/EUROSPORT CELEBRITY (ZV8)

GM PRODUCTION OPTIONS

RPO	FY	LY	DIVISIONAL RPO DESCRIPTION	WDCGM RPO DESCRIPTION
ZW2	76	81	EMISSION, HEAVY DUTY ENG	W/ZW2
ZW9	82	84	BASE BODY OR CHASSIS	W/ZW9
ZX5	82	84	APPEARANCE PKG, VALUE	W/ZX5
ZX6	76	81	CHASSIS, HEAVY DUTY	W/ZX6
ZY7	82	84	PAINT, LOWER ACCENT	W/ZY7
ZY8	82	84	PAINT, MID ACCENT	W/ZY8
Z5B	82	83	SEO OVERRIDE OF MV4 FOR POLICE & TAXI	W/Z5B
Z5J	84	84	SEO OVERRIDE OF RPO U25 LUGG. COMPT LP	W/Z5J
Z5T	76	84	SEO OVERRIDE OF LM1 FOR POLICE & TAXI	W/Z5T
Z5B	84	84	SEO OVERRIDE OF RPO JA2 H. D. BRAKE	W/Z5B
Z01	76	81	MONZA SPYDER	W/SPYDER(Z01)
Z02	76	81	APPEARANCE PKG, MONZA SPYDER	W/SPYDER APPEAR(Z02)
Z03	76	81	LANDAU EQUIPMENT	W/FRT VNL(Z03)
Z04	76	81	MONTE CARLO CLASSIC	W/Z04
Z05	76	83	APPEARANCE PKG, 2-TONE & STRIPING	W/Z05
Z06	76	84	INTERIOR, LUXURY	W/LUX INTR(Z06)
Z07	76	84	TRUCK, SPL ECON	W/SPL ECON(Z07)
Z08	82	84	CONVERTIBLE EQUIPMENT PKG	W/CONVR PKG(Z08)
Z11	82	83	CADET OPTION	W/CADET(Z11)
Z12	76	84	APPEARANCE PACKAGE	W/Z12
Z13	82	84	ORNA. STATION, EXTR SPORT PKG	W/SPORT(Z13)
Z14	76	81	ENG'G. PROCESSING, NON INTEGRATED	W/NON-INTEGRAL HD(Z14)
Z14	82	83	TRIM, CUST INTR	W/Z14
Z15	76	84	SPORT EQUIPMENT, SPL SS PKG	W/SPL SS PKG(Z15)
Z16	76	81	SPORT DECOR, (BLACK KNIGHT)	W/Z16
Z16	82	84	SPORT DECOR, ROYAL KNIGHT	W/ROYAL KNIGHT(Z16)
Z18	82	84	SPORT DECOR	W/SPORT(Z18)
Z19	76	81	SPORT PKG, SPECTRE	W/Z19
Z19	82	84	SPORT PKG, X11	W/SPORT(Z19)
Z20	76	81	MONTE CARLO LIMITED EDITION	W/Z20
Z22	82	82	SUPER FUEL ECONOMY MODEL	W/Z22
Z24	85	85	SPORT COUPE	W/SPORT COUPE(Z24)
Z25	76	81	LAGUNA TYPE S3	W/LAGUNA S3(Z25)
Z26	76	81	NOVA, RALLY	W/RALLY(Z26)
Z28	82	84	PERFORMANCE PACKAGE, SPECIAL	W/Z28
Z29	76	81	GT, SPORT	W/GT(Z29)
Z29	76	81	SPYDER EQUIPMENT	W/SPYDER(Z29)
Z32	82	83	CANADIAN PARISIENNE PONTIAC	W/Z32(CAN PONT B)
Z33	82	83	CANADIAN PONTIAC, PARISIENNE BROUGHAM	W/Z33(CAN PONT B)
Z36	82	84	PACKAGE, PONTIAC CONVERSION	W/Z36(CANADIAN)
Z46	82	83	PJ-OPTION(CANADIAN)	W/Z46(CANADIAN)
Z46	84	84	COMPETITIVE EDGE PROGRAM	W/Z46(CANADIAN)
Z47	82	83	KC-OPTION(CANADIAN)	W/Z47(CANADIAN)
Z48	82	83	FX-OPTION(CANADIAN)	W/Z48(CANADIAN)
Z49	76	84	MANDATORY CANADIAN BASE EQUIP MODIFICATIONS	W/Z49(CANADIAN)
Z50	82	83	INDIANAPOLIS COMMEMORATIVE PKG	W/INDY PKG(Z50)
Z53	76	84	GAUGE, VOLTMETER, OIL PRESS & TEMP	W/RALLY GA(Z53)
Z54	76	81	INTERIOR DECOR(SILENT SOUND GRP)	W/INTR DECOR(Z54)
Z55	82	83	TOP, REMOVABLE(LT SLATE-TEXTURED)	W/Z55
Z56	82	83	TOP, REMOVABLE(DK BRONZE-TEXTURED)	W/Z56
Z57	82	83	TOP, REMOVABLE(DK BLUE-TEXTURED)	W/Z57
Z58	76	84	TOP, REMOVABLE(WHITE-TEXTURED)	W/Z58
Z59	76	84	TOP, REMOVABLE(BLACK-TEXTURED)	W/Z59
Z60	76	81	MONZA	W/MONZA(Z60)
Z60	82	83	TOP, REMOVABLE(ALMOND-TEXTURED)	W/Z60
Z61	76	81	CUSTOM GROUP	W/CUST GRP(Z61)
Z62	76	84	SCOTTSDALE/SIERRA OPTION	W/SCOTTSDALE/SIERRA(Z62)
Z64	76	81	CUTWAY VAN	W/Z64
Z65	82	84	SPORT PACKAGE-MERCHANDISING OPTION	SEE VDS
Z71	84	84	OFF ROAD CHASSIS PKG	W/OFF ROAD PKG(Z71)
Z72	82	84	TRAILERING PKG, LT DUTY	W/LT DUTY TRLR(Z72)
Z73	76	84	TRIM, SPL INTR	W/Z73
Z75	76	84	SHOCKS, FRT QUAD	W/FRT QUAD SHKS(Z75)
Z76	82	84	CHASSIS, SPL COMMERCIAL	W/Z76
Z77	76	81	CHEVY SPORT OR GMC STREET COUPE	W/Z77
Z78	76	81	APPEARANCE PKG	W/Z78
Z80	82	84	TRIM, EXTR SPL	W/Z80
Z81	82	84	CAMPER, SPL	W/Z81
Z82	82	84	TRAILERING PKG, SPL	W/TRLR PKG(Z82)
Z83	82	83	CAMPER, DLX PKG	W/Z83
Z84	76	81	CHEYENNE, HIGH SIERRA	W/Z84
Z85	76	81	SPORT PKG	W/RALLY SPORT(Z85)
Z87	76	81	FACIA, FLEXIBLE FRT END	W/Z87

GM PRODUCTION OPTIONS

RPO	FY	LY	DIVISIONAL RPO DESCRIPTION	WDDGM RPO DESCRIPTION
Z88	76	84	CONVERSION,GMC	W/GMC(Z88)
Z94	76	81	CONVERTER SYSTEM,CANADIAN OXIDIZING	W/Z94(EXPORT)
Z98	82	83	CONVERSION,CANADIAN PONTIAC	W/Z98(CANADIAN)



CHEVROLET

CHEVROLET ALL GROUPS



CHEVROLET

ALPHABETICAL INDEX

ALPHABETICAL INDEX

A

ABSORBER, Bumper Energy Absorber	7.840
ABSORBER, Front and Rear	7.345
ABSORBER, Steering Linkage	6.865
ACCUMULATOR, A.C. Refrigerant	9.195
ACTUATOR, A.C. Control Vacuum	9.280
ACTUATOR, Air Distributor	9.786
ACTUATOR, Concealed Headlamp Control Drive	2.760
ACTUATOR, Door Electric and Vacuum Locks	10.485
ACTUATOR, Exhaust Manifold Heat Valve	3.640
ACTUATOR, Headlamp Dimmer	2.459
ACTUATOR, Heater Temperature Control	8.850
ACTUATOR, Ignition Switch Warning, Lock or Headlamp	2.195
ACTUATOR KIT, Ignition Switch Warning, Lock or Headlamp	2.195
ACTUATOR, Plenum Air	9.789
ACTUATOR, Transmission Parking Brake	4.290
ACTUATOR, Windshield Wiper Access	10.130
ADAPTER & SLEEVE KIT, Steering Gear Hydraulic Valve	6.551
ADAPTER, Air Distributor	9.262
ADAPTER, Air Distributor	9.786
ADAPTER, Air Injection Reactor	3.675
ADAPTER KIT, Steering Gear Hydraulic Valve	6.551
ADAPTER, Oil Distribution	1.531
ADAPTER, Oil Filter	1.840
ADAPTER, Radio Antenna	9.647
ADAPTER, Speedometer Driven Gear	4.329
ADAPTER, Steering Column	6.521
ADAPTER, Steering Gear Hydraulic	6.550
ADJUSTER, Front Seat Adjuster	11.561
ADJUSTER, Steering Gear Worm Bearing	6.830
ADJUSTER, Steering Gear Lash Adjuster	6.822
AMMETER, Instrument Panel	2.515
AMPLIFIER, Distributor	2.383
ANTENNA, Radio (With Motor)	9.645
ANTENNA, Radio Antenna	9.647
ANTI SQUEAK, Accelerator Pedal	3.451
ARM, Air Distributor	9.786
ARMATURE KIT, Radio Antenna	9.647
ARMATURE, Starter Motor	2.043
ARMATURE, Windshield Wiper Motor	10.150
ARM, Engine Valve Rocker	0.333
ARM KIT, Engine Valve Rocker	0.333
ARM KIT, Steering Knuckle	6.103
ARM, Rear Axle Control	5.382
ARM REST, Front Door Arm Rest	14.686
ARM, Steering Knuckle Upper & Lower Control ..	6.168
ARM, Steering Pitman	6.859
ARM, Turn Signal Lamp	2.895
ARM, Windshield Wiper Motor Drive	10.151
ARM, Windshield Wiper Blade	10.147
ARRESTOR, Crankcase	1.745

B

BAFFLE, Carburetor and Fuel Meter Fuel Inlet	3.740
BAFFLE, Carburetor to Manifold	3.726

BAFFLE, Oil Pan	1.430
BAFFLE, Radiator Air	1.272
BAFFLE, Rear Quarter Side Inner	12.941
BAFFLE, Suction Throttling (P.O.A.)	9.198
BAG, Roof Panel	12.810
BAIL, Brake Master Cylinder	4.651
BALANCER, Engine Crankshaft	0.659
BALL, A.C. Compressor (Internal Parts)(Axial)	9.172
BALL, Carburetor Pump Outlet Valve	3.825
BALL, Engine Valve	0.459
BALL, Engine Valve Adjusting	0.429
BALL, Fuel Tank Filler	12.945
BALL JOINT, Front Wheel Lower Control Arm	6.174
BALL JOINT KIT, Upper Control Arm Shaft	6.164
BALL PKG, Trailer(Group 7.068)	21.250
BALL, Steering Gear Worm	6.844
BALL, Transmission Control Valve	4.265
BALL, Transmission Governor	4.256
BALL, Transmission Input and Turbine Shaft	4.123
BALL, Transmission Pressure Regulator and Oil Pump	4.216
BALL, Transmission Shift Shaft Detent	4.311
BALL, Windshield Wiper Motor	10.150
BAND, Transmission Brake	4.251
BAND, Transmission Clutch	4.163
BAR, Bumper Face	7.831
BAR, Carburetor Throttle	3.762
BAR KIT, Bumper Face	7.831
BAR, License Plate	7.800
BAR, Radiator Grille	1.268
BASE, Air Cleaner to Carburetor Mounting	3.406
BASE, Front Seat Adjuster	11.561
BEAD KIT, Catalytic Converter	3.685
BEARING, A.C. Compressor Pulley	9.181
BEARING, A.C. Compressor (Internal Parts)(Axial)	9.172
BEARING, A.C. Compressor (Internal parts)(Radial)	9.172A
BEARING, Concealed Headlamp Control Opening Cover	2.765
BEARING, Differential Drive Pinion	5.484
BEARING, Differential Drive Pinion Front	5.447
BEARING, Differential Side	5.536
BEARING, Engine Camshaft Thrust	0.533
BEARING, Engine Camshaft	0.539
BEARING, Engine Clutch Release fork	0.799
BEARING, Engine Crankshaft Clutch Pilot	0.649
BEARING, Engine Fan Coolant	1.060
BEARING, Front Wheel Inner	6.311
BEARING, Front Wheel Outer	6.313
BEARING, Generator Drive End	2.306
BEARING, Generator Slip Ring End Frame	2.298
BEARING, Idler Pulley	4.850
BEARING, King Pin Thrust	6.210
BEARING KIT, Engine Connecting Rod	0.616
BEARING KIT, Engine Crankshaft	0.096
BEARING KIT, Rear Wheel	5.855
BEARING KIT, Transmission Overhaul	4.005
BEARING KIT, Transmission Rear Internal Gear ..	4.187
BEARING KIT, Transmission Sun Gear	4.159
BEARING, Power Brake Booster(Vacuum)	4.924
BEARING, Rear Axle U Joint	5.428
BEARING, Rear Wheel	5.855
BEARING, Steering Column	6.521

ALPHABETICAL INDEX

BEARING, Steering Gear Shaft	6.525	BOLT, Flywheel	C.679
BEARING, Steering Gear Thrust	6.835	BOLT, Folding and Hard Top	14.080
BEARING, Steering Gear Pitman Shaft	6.786	BOLT, Folding Top Compartment Lid	12.242
BEARING, Transmission Sun Gear	4.159	BOLT, Front Fender Molding	8.133
BEARING, Transmission Main Shaft Rear (Output)	4.408	BOLT, Fuel Tank Mounting Strap	3.023
BEARING, Transmission Housing	4.162	BOLT, Generator	2.313
BEARING, Transmission Oil Pump	4.226	BOLT, Generator Mounting	2.277
BEARING, Transmission Clutch	4.164	BOLT, Hardtop	13.346
BEARING, Transmission Rear	4.408	BOLT, Hood Latch	8.085
BEARING, Transmission Reverse Idler Gear Thrust	4.437	BOLT, Hood Panel	8.015
BEARING, Transmission Output Shaft or Carrier	4.176	BOLT, Hub or Drum (Front and Rear Wheel)	5.812
BEARING, Transmission Main Drive Gear	4.355	BOLT, Intake & Exhaust Manifold	3.275
BEARING, Transmission Synchronizer	4.384	BOLT KIT, Battery Cable	2.343
BEARING, Transmission Mainshaft	4.352	BOLT KIT, Bumper Energy Absorber	7.840
BEARING, Transmission Reverse Idler Gear Thrust	4.437	BOLT KIT, Steering Gear Shaft	6.525
BEARING, Transmission Planet Carrier	4.176	BOLT, Oil Filter	1.840
BEARING, Transmission Main Drive Gear	4.355	BOLT, Radiator	1.270
BEARING, Transmission Low Sun Gear and Clutch	4.162	BOLT, Radio	9.610
BEARING, Turn Signal Lamp	2.895	BOLT, Radio Mounting	9.667
BELLOWS, Windshield Washer Pump	10.153	BOLT, Radio Static Suppression	9.663
BELT, Drive Belts	1.066	BOLT, Rear Axle Control Arm	5.383
BEZEL, Door Outside Handle	10.537	BOLT, Rear Axle Housing	5.398
BEZEL, Exhaust Tail Pipe	3.705	BOLT, Rear Axle U Joint	5.428
BEZEL, Fuel Tank Filler	12.945	BOLT, Rear Compartment Lid and End Gate	12.184
BEZEL, Headlamp	2.728	BOLT, Rear Spring	7.506
BEZEL, Headlamp Switch	2.487	BOLT, Rear Spring and Axle	7.529
BEZEL, Heater Control	8.852	BOLT, Ring Gear	5.531
BEZEL, Hood Panel Ornamentation	8.055	BOLT, Roof Panel	12.810
BEZEL, Instrument Cluster	9.743	BOLT, Seat Back	11.381
BEZEL, License Plate	7.800	BOLT, Seat Belt	14.875
BEZEL, Radio Antenna	9.647	BOLT, Shock Absorber	7.380
BEZEL, Rear Compartment Lid and Rear End Panel	12.182	BOLT, Shock Absorber	7.347
BEZEL, Rear Compartment Floor	12.981	BOLT, Spare Wheel Mounting	7.632
BEZEL, Rear View Mirror	10.186	BOLT, Stabilizer	7.240
BEZEL, Side Marker and Hazard Flasher	2.575	BOLT, Starter Motor	2.042
BEZEL, Tail Lamp Lens	2.689	BOLT, Starter Motor Shoe	2.077
BEZEL, Windshield Wiper Control	10.166	BOLT, Steering Column Housing	6.500
BINDING, Carpet	15.294	BOLT, Steering Column Attaching	6.760
BINDING, Rear Floor	15.306	BOLT, Steering Connecting Rod	6.874
BLADDER, Fuel	3.001	BOLT, Steering Gear Housing Side Cover	6.809
BLADE, Windshield Wiper	10.146	BOLT, Steering Gear Mounting	6.509
BLOCK, Battery(Positive)	2.342	BOLT, Steering Gear Shaft	6.525
BLOCK, Engine	0.033	BOLT, Steering Idler and Third Arm Shaft	6.181
BOARD, Windshield Wiper Motor	10.150	BOLT, Steering Knuckle Lower Control Arm	6.172
BODY, Carburetor	3.729	BOLT, Steering Knuckle Upper Control Arm	6.178
BODY, Oil Filter	1.837	BOLT, Steering Linkage	6.865
BODY, Power Brake Booster(Vacuum)	4.922	BOLT, Steering Pump Idler	6.665
BODY, Transmission Governor	4.256	BOLT, Steering Pump Mounting	6.606
BODY, Transmission Oil Pump	4.224	BOLT, Steering Relay & Tie Rod	6.104
BOLT, A.C. Compressor Mounting	9.171	BOLT, Transmission	4.115
BOLT, Air Injection Reactor Pump	3.655	BOLT, Transmission Case Extension	4.319
BOLT, Battery Hold Down	2.334	BOLT, Transmission Control	4.032
BOLT, Body Moldings	12.118	BOLT, Transmission Converter	4.115
BOLT, Brake Cylinder and Pedal Shaft	4.648	BOLT, Transmission Extension	4.319
BOLT, Brake Flange Plate	5.002	BOLT, Transmission Housing	4.162
BOLT, Brake Hose	4.671	BOLT, Transmission Mount and Support	4.085
BOLT, Brake Shoe Anchor Pin	5.056	BOLT, Transmission Oil Pan	4.197
BOLT, Bumper Mounting	7.874	BOLT, Transmission Oil Pump	4.226
BOLT, Clutch Release Lever	0.873	BOLT, Transmission Parking Brake	4.290
BOLT, Cruise Control	3.887	BOLT, Universal Joint Bearing and Flange	5.586
BOLT, Differential Carrier	5.506	BOLT, Windshield Wiper Access	10.130
BOLT, Door Window Regulator	10.792	BOLT, Windshield Wiper Motor	10.150
BOLT, Emission Control System	3.671	BONDING STRIP, Body Rear End(Plastic Laminated)	12.986
BOLT, Energy Absorber Bar Guide	7.829	BONDING STRIP, Front Fender	8.141
BOLT, Engine Clutch	0.864	BONDING STRIP, Radiator	1.263
BOLT, Engine Clutch Cover to Flywheel	0.862	BONDING STRIP, Rear Compartment Floor	12.981
BOLT, Engine Connecting Rod Cap	0.623	BOOSTER, Power Brake(Vacuum)	4.901
BOLT, Engine Coolant Pump	1.073	BOOT, auto Jack	8.820
BOLT, Engine Crankshaft Pulley and Balancer	0.662	BOOT, Brake Master Cylinder Rod	4.659
BOLT, Engine Cylinder Head	0.293	BOOT, Cruise Control	3.885
BOLT, Engine Flywheel	0.669	BOOT, Engine Clutch Release Fork	0.797
BOLT, Engine Main Bearing Cap	0.056	BOOT, Seat Belt	14.875
BOLT, Engine Mounting	0.002	BOOT, Transmission Control Lever	4.015
BOLT, Engine Oil Pump	1.652	BOGT, Windshield Wiper Access	10.130
BOLT, Engine Valve Rocker Arm Cover	0.413	BOWL, Carburetor Float	3.734
BOLT, Exhaust Manifold End Bolt	3.604	BOWL, Steering Column	6.518
BOLT, Exhaust Manifold Heater	3.602	BOW, Roof	12.952
BOLT, Exhaust Pipe	3.613	BRACE, A.C. Compressor Mounting	9.171
BOLT, Exhaust System Attaching	3.708	BRACE, Air Injection Reactor Pump	3.655
		BRACE, Bumper	7.836
		BRACE, Floor Console	10.240
		BRACE, Frame Front Cross Member	7.039
		BRACE, Front Body Hinge Pillar	12.840

ALPHABETICAL INDEX

<p>BRACE, Generator 2.317</p> <p>BRACE, Radiator and Front End Tie 1.271</p> <p>BRACE, Rear Compartment Floor 12.981</p> <p>BRACE, Shroud and Dash and Vent Duct 12.804</p> <p>BRACE, Starter Motor 2.042</p> <p>BRACE, Steering Column Attaching 6.760</p> <p>BRACE, Steering Pump Mounting 6.606</p> <p>BRACKET, A.C. Compressor Mounting 9.171</p> <p>BRACKET, A.C. Compressor 9.242</p> <p>BRACKET, A.C. Condenser 9.190</p> <p>BRACKET, A.C. Refrigerant 9.196</p> <p>BRACKET, Accelerator Pedal Lever 3.454</p> <p>BRACKET, Air Cleaner Air Intake 3.417</p> <p>BRACKET, Air Distributor 9.786</p> <p>BRACKET, Air Injection Reactor Pump 3.655</p> <p>BRACKET, Air Injection Reactor 3.675</p> <p>BRACKET, Back Up Lamp 2.698</p> <p>BRACKET, Battery Cable 2.343</p> <p>BRACKET, Body Mount Rear 7.330</p> <p>BRACKET, Brake Flange 5.001</p> <p>BRACKET, Brake Hose or Pipe 4.681</p> <p>BRACKET, Bumper Energy Absorber 7.840</p> <p>BRACKET, Bumper Mounting 7.869</p> <p>BRACKET, Carburetor Throttle 3.444</p> <p>BRACKET, Carburetor Air Cleaner Controls 3.415</p> <p>BRACKET, Chassis Wiring Harness 2.559</p> <p>BRACKET, Chassis Wiring 2.480</p> <p>BRACKET, Concealed Headlamp Motor 2.755</p> <p>BRACKET, Concealed Headlamp Control Opening Cover 2.765</p> <p>BRACKET, Concealed Headlamp Control Drive 2.760</p> <p>BRACKET, Cruise Control 3.885</p> <p>BRACKET, Cruise Control 3.880</p> <p>BRACKET, Differential Carrier Mounting 5.500</p> <p>BRACKET, Distributor 2.383</p> <p>BRACKET, Distributor 2.393</p> <p>BRACKET, Dome and Reading Lamp 11.927</p> <p>BRACKET, Door Arm Rest Trim 14.690</p> <p>BRACKET, Door Electric and Vacuum Locks 10.485</p> <p>BRACKET, Door Lock 10.569</p> <p>BRACKET, Early Fuel Evaporation Control 3.140</p> <p>BRACKET, Emission Control System 3.671</p> <p>BRACKET, Engine Air Cooling(Electrical) 1.055</p> <p>BRACKET, Engine Clutch Control 0.852</p> <p>BRACKET, Engine Cooling 1.219</p> <p>BRACKET, Engine Fuel 3.890</p> <p>BRACKET, Engine Lift 0.004</p> <p>BRACKET, Engine Mounting 0.029</p> <p>BRACKET, Exhaust Manifold Heater 3.602</p> <p>BRACKET, Exhaust Mounting 3.706</p> <p>BRACKET, Exhaust Muffler 3.704</p> <p>BRACKET, Floor Console 10.240</p> <p>BRACKET, Floor Pan 12.980</p> <p>BRACKET, Folding and Hard Top 14.080</p> <p>BRACKET, Folding Top Front Roof 14.050</p> <p>BRACKET, Front Cross Member 7.039</p> <p>BRACKET, Front Door Trim Binding Strip 14.683</p> <p>BRACKET, Front Seat Adjuster 11.561</p> <p>BRACKET, Generator Mounting 2.277</p> <p>BRACKET, Hardtop 13.346</p> <p>BRACKET, Headlamp Adjuster 2.737</p> <p>BRACKET, Heater 8.846</p> <p>BRACKET, Heater 8.845</p> <p>BRACKET, Heater and Defroster 8.857</p> <p>BRACKET, Heater Control 8.852</p> <p>BRACKET, Hood Latch 8.085</p> <p>BRACKET, Hood Latch 8.080</p> <p>BRACKET, Hydraulic Steering Cylinder 6.575</p> <p>BRACKET, Ignition Coil Mounting 2.183</p> <p>BRACKET, Ignition Switch Warning, Lock or Headlamp 2.195</p> <p>BRACKET, Instrument Cluster 9.744</p> <p>BRACKET KIT, Exhaust Mounting 3.706</p> <p>BRACKET KIT, Headlamp Adjuster 2.737</p> <p>BRACKET KIT, Radio Antenna 9.647</p> <p>BRACKET KIT, Steering Pump Mounting 6.606</p> <p>BRACKET KIT, Transmission Control Lever 4.010</p> <p>BRACKET, License Plate 7.800</p> <p>BRACKET, Luggage Carrier 12.815</p> <p>BRACKET, Outside Air 9.787</p> <p>BRACKET, Parking Brake Cable 4.785</p> <p>BRACKET, Plenum Air 9.789</p> <p>BRACKET, Power Steering Hose 6.672</p> <p>BRACKET, Radiator 1.270</p>	<p>BRACKET, Radiator to Grille 1.287</p> <p>BRACKET, Radiator Fan 1.277</p> <p>BRACKET, Radiator Grille and Front End Panel 1.267</p> <p>BRACKET, Radio Antenna 9.647</p> <p>BRACKET, Radio Mounting 9.667</p> <p>BRACKET, Radio Static Suppression 9.663</p> <p>BRACKET, Rear Axle Control Arm 5.380</p> <p>BRACKET, Rear Compartment 12.247</p> <p>BRACKET, Rear Compartment Floor 12.981</p> <p>BRACKET, Rear Compartment Lid Release 12.243</p> <p>BRACKET, Rear Hatch Window 12.187</p> <p>BRACKET, Rear View Mirror 10.186</p> <p>BRACKET, Roof Panel 12.810</p> <p>BRACKET, Roof Trim Headlining 14.640</p> <p>BRACKET, Seat Back Locking 11.390</p> <p>BRACKET, Shock Absorber Anchor 7.395</p> <p>BRACKET, Shock Absorber 7.380</p> <p>BRACKET, Spare Wheel 7.629</p> <p>BRACKET, Spark Plug Wire 2.251</p> <p>BRACKET, Speedometer to Instrument Panel(Domestic) 9.761</p> <p>BRACKET, Stabilizer Shaft 7.242</p> <p>BRACKET, Steering Column Attaching 6.760</p> <p>BRACKET, Steering Idler Arm 6.896</p> <p>BRACKET, Steering Pump Mounting 6.606</p> <p>BRACKET, Stop Lamp 2.447</p> <p>BRACKET, Tachometer 9.750</p> <p>BRACKET, Towing 7.068</p> <p>BRACKET, Transmission Support 7.011</p> <p>BRACKET, Transmission Control Switch 4.060</p> <p>BRACKET, Transmission Control Lever 4.010</p> <p>BRACKET, Transmission Control Lock Cable 4.070</p> <p>BRACKET, Transmission Detent Control 4.050</p> <p>BRACKET, Transmission Mounting 4.083</p> <p>BRACKET, Transmission Shift Control Cable 4.047</p> <p>BRACKET, Transmission Control Lock Cable 4.070</p> <p>BRACKET, Transmission Control Indicator 4.020</p> <p>BRACKET, Transmission Parking Brake 4.290</p> <p>BRACKET, Transmission Mounting 4.083</p> <p>BRACKET, Transmission Control Cable 4.047</p> <p>BRACKET, Transmission Control Lever 4.010</p> <p>BRACKET, Transmission Gearshift Hand Lever 4.010</p> <p>BRACKET, Transmission Gearshift Shaft 4.030</p> <p>BRACKET, Transmission Park Lock 4.220</p> <p>BRACKET, Transmission Control Lever 4.010</p> <p>BRACKET, Transmission Shift Control 4.030</p> <p>BRACKET, Transmission Support 4.083</p> <p>BRACKET, Transmission Control Lock Cable 4.070</p> <p>BRACKET, Windshield Wiper Access 10.130</p> <p>BRACKET, Windshield Wiper Control 10.163</p> <p>BRACKET, Windshield Washer 10.154</p> <p>BREAKER, Body Harness 13.095</p> <p>BREAKER, Headlamp 2.485</p> <p>BREATHER, Carburetor Air Cleaner 3.410</p> <p>BRIDGE, Generator 2.319</p> <p>BRUSH, Distributor Cap Retaining 2.368</p> <p>BRUSH, Generator 2.285</p> <p>BRUSH, Generator Brush 2.291</p> <p>BRUSH, Starter Motor 2.051</p> <p>BRUSH, Windshield Wiper Motor 10.150</p> <p>BUMPER, Back Window Reveal Molding 11.209</p> <p>BUMPER, Bumper to Body 7.833</p> <p>BUMPER, Bumper Face 7.831</p> <p>BUMPER, Door 10.587</p> <p>BUMPER, Door Window 10.716</p> <p>BUMPER, Engine Clutch Pedal 0.829</p> <p>BUMPER, Folding and Hard Top 14.080</p> <p>BUMPER, Folding Top Compartment 12.170</p> <p>BUMPER, Fuel Tank Filler 12.945</p> <p>BUMPER, Hardtop 13.346</p> <p>BUMPER, Hood Panel Closing 8.024</p> <p>BUMPER, License Plate 7.800</p> <p>BUMPER, Power Brake Booster Reaction 4.934</p> <p>BUMPER, Rear Axle 5.395</p> <p>BUMPER, Rear Compartment Floor 12.981</p> <p>BUMPER, Rear Spring 7.535</p> <p>BUMPER, Seat Back 11.381</p> <p>BUMPER, Seat Back Locking 11.390</p> <p>BUMPER, Steering Column 6.514</p> <p>BUMPER, Steering Knuckle Control Arm 6.176</p> <p>BUSHING, A.C. Compressor (Internal Parts)(Axial) 9.172</p> <p>BUSHING, A.C. Condenser 9.190</p> <p>BUSHING, Brake Pedal 4.626</p>
---	---

ALPHABETICAL INDEX

BUSHING, Bumper Mounting	7.865	CABLE, Front Fender	8.141
BUSHING, Carburetor Throttle Control	3.425	CABLE, Fuel Injection Distributor	3.340
BUSHING, Concealed Headlamp Control Opening Cover	2.765	CABLE, Hood Latch Release	8.075
BUSHING, Distributor	2.401	CABLE KIT, Tachometer	9.750
BUSHING, Door Hinge	10.464	CABLE KIT, Transmission to Speedometer	4.342
BUSHING, Door Window Regulator	10.792	CABLE, Outside Air	9.787
BUSHING, Engine Clutch Pedal	0.831	CABLE, Parking Brake	4.779
BUSHING, Engine Clutch Lever & Shaft	0.851	CABLE, Radio Antenna	9.647
BUSHING, Exhaust Manifold Heat	3.647	CABLE, Rear Compartment Lid Release	12.243
BUSHING, Folding Top	14.340	CABLE, Seat Belt	14.875
BUSHING, Folding Top Compartment	12.170	CABLE, Tachometer	9.750
BUSHING, Folding Top Side Roof Rail	14.160	CABLE, Throttle Control	3.430
BUSHING, Front Seat Bottom Hinge	11.375	CABLE, Transmission to Speedometer	4.342
BUSHING, Fuel Tank Filler	12.945	CABLE, Transmission to Speedometer	4.342
BUSHING, Heater Control	8.852	CABLE, Transmission to Speedometer	4.342
BUSHING, Horn Button Blowing	2.819	CABLE, Transmission Control Lock Cable	4.070
BUSHING, Instrument Panel Ash Tray	12.009	CABLE, Transmission Detent Control	4.050
BUSHING, Oil Pressure Gage	1.803	CABLE, Transmission Shift Control Cable	4.047
BUSHING, Quarter Window Sash	11.007	CABLE, Turn Signal Lamp	2.895
BUSHING, Rear Axle	5.417	CALIBRATOR, Emission Control System	3.670
BUSHING, Rear Axle Control Arm	5.381	CAM, Carburetor and Fuel Injection Fast Idle	3.766
BUSHING, Rear Compartment Floor	12.981	CAM, Carburetor Pump	3.842
BUSHING, Rear Spring	7.504	CAM CONVERSION KIT, Turn Signal Switch Cancelling	2.896
BUSHING, Rear Spring Shackles	7.524	CAM, Distributor	2.381
BUSHING, Rear View Mirror	10.186	CAM, Front Door Window Lower Sash Channel	10.687
BUSHING, Roof Panel	12.810	CAM, Fuel Tank Meter	3.107
BUSHING, Speedometer to Instrument Panel(Domestic)	9.761	CAM, Horn Button Blowing	2.819
BUSHING, Stabilizer Shaft	7.243	CAM, Rear Axle	5.417
BUSHING, Starter Motor Drive End	2.083	CAMSHAFT, Engine	0.519
BUSHING, Steering Column	6.521	CAM, Transmission Clutch	4.167
BUSHING, Steering Gear Pitman Shaft	6.786	CAM, Transmission Shift Shaft Detent	4.311
BUSHING, Steering Knuckle Lower Control Arm	6.170	CAM, Turn Signal Switch Cancelling	2.896
BUSHING, Steering Knuckle King Pin	6.021	CAM, Windshield Washer Pump	10.153
BUSHING, Transmission Clutch	4.169	CANISTER, Fuel Tank Evaporator Control(Engine End)	3.130
BUSHING, Transmission Planet Carrier	4.176	CAP, A.C. Compressor	9.177
BUSHING, Transmission Oil Pump	4.203	CAPACITOR, Distributor	2.393
BUSHING, Transmission Rear Main Bearing	4.319	CAPACITOR, Generator	2.319
BUSHING, Transmission Safety Starting Switch	4.054	CAPACITOR, Radio Static Suppression	9.663
BUSHING, Transmission Extension	4.319	CAPACITOR, Rear Window Defogger	9.778
BUSHING, Transmission Governor	4.256	CAPACITOR, Stop Lamp	2.447
BUSHING, Transmission Extension	4.319	CAP, Back Window Reveal	11.208
BUSHING, Transmission Clutch(Low & Reverse)	4.180	CAP, Brake Master Cylinder	4.651
BUSHING, Transmission Sun Gear and Shaft	4.161	CAP, Carburetor Float	3.734
BUSHING, Transmission Clutch	4.168	CAP, Crankcase Oil Filler	1.758
BUSHING, Transmission Sun Gear	4.159	CAP, Distributor	2.367
BUSHING, Transmission Output Shaft or Carrier	4.175	CAP, Door Outside Lock Cylinder	10.552
BUSHING, Transmission Clutch	4.159	CAP, Door Window Regulator	10.792
BUSHING, Transmission Case Extension	4.319	CAP, Engine Coolant Pump	1.073
BUSHING, Transmission Housing	4.162	CAP, Engine Coolant Recovery	1.240
BUSHING, Transmission Oil Pump	4.226	CAP, Engine Main Bearing	0.095
BUSHING, Transmission Output Shaft or Carrier	4.176	CAP, Engine Valve Spring	0.309
BUSHING, Transmission Safety Starting Switch	4.054	CAP, Front Wheel Hub Grease	6.330
BUSHING, Transmission Control Rod To Lever	4.037	CAP, Fuel Tank Evaporator Control(Engine End)	3.130
BUSHING, Transmission Case	4.104	CAP, Fuel Tank Filler	3.028
BUSHING, Transmission Control Lever	4.008	CAP, Horn Button	2.820
BUSHING, Transmission Input	4.158	CAP, Intake Manifold Vacuum	3.278
BUSHING, Upper Control Arm Shaft	6.164	CAP, Luggage Carrier	12.815
BUSHING, Windshield Reveal Molding	10.093	CAP, Radiator Filler	1.203
BUSHING, Windshield Wiper Control	10.163	CAP, Radio Antenna	9.647
BUSHING, Windshield Wiper Access	10.130	CAP, Rear Axle	5.417
BUTTON, Distributor	2.381	CAP, Rear Axle U Joint	5.428
BUTTON, Door Outside Handle	10.529	CAP, Roof Drip	12.075
BUTTON, Seat Back Locking	11.390	CAP, Roof Panel	12.810
BUTTON, Side Marker and Hazard Flasher	2.575	CAP, Steering Column	6.518
BUTTON, Transmission Gearshift Control (Hand)	4.006	CAP, Steering Pump	6.635
BUTTON, Transmission Control Lever	4.006	CAP, Suction Throttling (P.O.A.)	9.198
BUZZER, Headlamp Warning	2.461	CAPSULE, Headlamp	2.725
BUZZER, Ignition Switch Warning, Lock or Headlamp	2.195	CAP, Tire Valve And Cover Lock	5.875
BUZZER, Seat Belt	14.875	CAP, Transmission Governor	4.256
C		CAP, Wheel Trim	5.858
CABLE, Battery(Negative)	2.341	CAP, Windshield Washer	10.154
CABLE, Battery(Positive)	2.342	CAP, Windshield Wiper Motor Drive	10.151
CABLE, Cruise Control	3.880	CARBURETOR, Carburetor	3.724
CABLE, Folding Top Compartment Lid	12.242	CARBURETOR, Carter	3.725C
CABLE, Folding Top Compartment	12.170	CARBURETOR, Holly	3.725E
CABLE, Folding Top Trim Hold Down	14.102	CARBURETOR, Rochester	3.725
		CARPET, Front Floor	15.286
		CARPET MATERIAL, Yardage	15.512
		CARPET, Rear Floor	15.306
		CARPET, Yardage	15.512
		CARRIAGE, Front Seat Adjuster	11.561

ALPHABETICAL INDEX

CARRIER, Differential, with Cap	5.505	CLIP, Early Fuel Evaporation	3.145
CARRIER PKG, Roof & Deck Lid(Group 12 810)	21.060	CLIP, Emission Control System	3.671
CARRIER, Roof Panel	12.810	CLIP, Energy Absorber Bar Guide	7.829
CARRIER, Spare Wheel	7.629	CLIP, Folding Top, Bow Binding End	13.342
CARRIER, Transmission Output Shaft or Carrier	4.175	CLIP, Front Door Trim Binding Strip	14.663
CARRIER, Transmission Planet	4.175	CLIP, Front Fender	8.154
CASE, A.C. Evaporator	9.211	CLIP, Front Seat Side Trim	14.818
CASE, Differential (Ring Gear and Pinion)	5.510	CLIP, Fuel Pipe	3.162
CASE, Heater and Defroster	8.857	CLIP, Fuel Tank Filler	3.003
CASE, Heater Core	8.854	CLIP, Fuel Tank Meter	3.107
CASE, Instrument Cluster	9.743	CLIP, Generator	2.313
CASE, Instrument Panel Compartment Door		CLIP, Ignition Switch Warning, Lock or	
Lock	10.266	Headlamp	2.195
CASE KIT, Transmission Case	4.103	CLIP, Instrument Cluster	9.744
CASE, Transmission Case	4.103	CLIP, Instrument Panel	14.655
CASE, Windshield Wiper Motor	10.150	CLIP KIT, Radio Antenna	9.547
CATCH, Hood Latch	8.080	CLIP, Outside Air	9.787
CAULKING KIT, Back Window	11.204	CLIP, Radiator Baffle and Shroud	1.276
CAULKING KIT, Windshield Glass	10.027	CLIP, Radio Mounting	9.677
CHAIN, Cruise Control	3.885	CLIP, Rear Compartment Floor	12.981
CHAIN, Engine Timing	0.724	CLIP, Roof Panel	12.810
CHANNEL, Back Window Glass	11.207	CLIP, Roof Trim Headlining	14.640
CHANNEL, Door Ventilator Glass (With Tee		CLIP, Seat Belt	14.875
Shaft)	10.655	CLIP, Side Marker and Hazard Flasher	2.575
CHANNEL, Door Window Regulator	10.792	CLIP, Spark Plug Wire	2.251
CHANNEL, Front Door Window	10.685	CLIP, Speedometer to Instrument	
CHANNEL, Quarter Window Glass	11.015	Panel (Domestic)	9.761
CHANNEL, Windshield Glass	10.092	CLIP, Speedometer Drive Gear	4.345
CHOKE HOUSING KIT, Automatic Choke Control	3.750	CLIP, Steering Column	6.521
CLAMP, A.C. Evaporator Expansion Valve	9.214	CLIP, Stop Lamp	2.447
CLAMP, A.C. Evaporator	9.211	CLIP, Sunshade	10.219
CLAMP, A.C. Refrigerant	9.196	CLIP, Transmission to Speedometer	4.342
CLAMP, A.C. Vacuum & Temperature	9.281	CLIP, Transmission Control Lock Cable	4.070
CLAMP, Air Distributor	3.786	CLIP, Transmission De'ent	4.279
CLAMP, Air Injection Reactor and Exhaust Gas		CLIP, Transmission Oil Cooler	4.128
Recirculation	3.680	CLIP, Transmission Oil Pan	4.197
CLAMP, Battery Hold Down	2.335	CLIP, Transmission Throttle Valve Control	4.052
CLAMP, Carburetor Throttle Control	3.425	CLIP, Transmission Vacuum	4.255
CLAMP, Distributor and Fuel Injector	2.363	CLIP, Turn Signal Lamp	2.892
CLAMP, Engine Cooling	1.219	CLIP, Windshield Glass	10.092
CLAMP, Exhaust Pipe	3.616	CLIP, Windshield Reveal	10.096
CLAMP, Exhaust System Attaching	3.708	CLIP, Windshield Washer	10.154
CLAMP, Heater Core	8.854	CLIP, Windshield Washer	10.155
CLAMP, Heater Water Flow	8.866	CLOCK, Clock	9.772
CLAMP, Hose (Radiator, Heater, A.C.)	1.166	CLOTH, Polishing(Group 8.800)	21.090
CLAMP, Intake & Exhaust Manifold	3.273	CLUSTER, Instrument Panel Gage	9.735
CLAMP KIT, Steering Gear Shaft	6.525	CLUTCH DRIVE, A.C. Compressor Clutch	
CLAMP, Outside Air	9.787	Actuating	9.188
CLAMP, Power Brake Booster(Vacuum)	4.930	CLUTCH, Engine Air Cool Fan	1.050
CLAMP, Power Steering Hose	6.672	CLUTCH, Transmission Synchronizing	4.380
CLAMP, Steering Gear Ball Return Guide	6.843	CLUTCH, Transmission Clutch	4.164
CLAMP, Steering Gear Shaft	6.525	CLUTCH, Transmission Clutch	4.164
CLAMP, Steering Relay	6.870	CLUTCH, Transmission Clutch(Low & Reverse)	4.180
CLAMP, Steering Tie Rod	6.234	CLUTCH, Transmission Synchronizing	4.380
CLAMP, Valve In Receiver	9.199	COIL, A.C. Compressor Clutch Actuating	9.186
CLEANER, Carburetor	3.402	COIL, Automatic Choke Control	3.750
CLEVIS, Master Cylinder Adjusting	4.662	COIL, Ignition	2.170
CLEVIS, Transmission Control Rod To Lever	4.037	COIL, Radio Antenna	9.647
CLIP, A.C. Compressor	9.242	COIL, Starter Motor	2.049
CLIP, Air Distributor	9.262	COLLAR, Generator Drive End	2.307
CLIP, Air Distributor	9.786	COLLAR, Starter Motor Thrust	2.063
CLIP, Air Injection Reactor and Exhaust Gas		COLUMN, Steering Column	6.518
Recirculation	3.680	COMPARTMENT, Instrument Panel	10.260
CLIP, Air Outlet	9.264	COMPARTMENT, Rear Compartment Floor	12.981
CLIP, Ash Receiver Mounting	12.016	COMPASS PKG, Auto(Group 8.873)	21.100
CLIP, Back Up Lamp	2.698	COMPRESSOR, A.C. Compressor	9.170
CLIP, Back Window Reveal Molding	11.209	COMPRESSOR PKG, Air Lift Shocks(Group	
CLIP, Battery Cable	2.343	7.455)	21.110
CLIP, Body Wiring	13.090	CONDENSER, A.C. Condenser	9.190
CLIP, Brake Hose or Pipe	4.686	CONDENSER, Distributor	2.393
CLIP, Brake Shoe Anchor Pin	5.056	CONDUIT, Chassis Electrical	2.530
CLIP, Carburetor and Fuel Meter Intake (with		CONDUIT, Door	10.778
Seat and Gasket)	3.814	CONE, Differential Drive Pinion	5.484
CLIP, Carburetor and Fuel Injection Choke	3.752	CONNECTOR, A.C. Vacuum & Temperature	9.281
CLIP, Carburetor Throttle Control	3.425	CONNECTOR, Air Injection Reactor and Exhaust	
CLIP, Chassis Wiring	2.480	Gas Recirculation	3.680
CLIP, Chassis Wiring Harness	2.559	CONNECTOR, Body Harness	13.100
CLIP, Cruise Control	3.895	CONNECTOR, Brake Hose or Pipe	4.686
CLIP, Door Inside Locking Rod	10.565	CONNECTOR, Carburetor Vacuum	3.765
CLIP, Door Lock	10.474	CONNECTOR, Carburetor	3.755
CLIP, Door Lock	10.506	CONNECTOR, Chassis Electrical	2.530
CLIP, Door Weatherstrip	10.695	CONNECTOR, Cigarette Lighter	9.709
CLIP, Door Window	10.777	CONNECTOR, Clock	9.772
CLIP, Early Fuel Evaporation Control	3.140		

ALPHABETICAL INDEX

CONNECTOR, Concealed Headlamp Control Opening Cover	2.765	COVER, Heater Core	8.854
CONNECTOR, Crankcase	1.745	COVER, Hydraulic Steering Valve	6.554
CONNECTOR, Distributor	2.400	COVER, Ignition and Locks	2.187
CONNECTOR, Early Fuel Evaporation	3.145	COVER, Inside Rear View Mirror	10.187
CONNECTOR, Engine and Transmission Controlled Spark	2.408	COVER, Instrument Panel Opening	10.256
CONNECTOR, Intake Manifold Vacuum	3.278	COVER, Instrument Panel Ash Tray	12.009
CONNECTOR, Oil Distribution	1.531	COVER, King Pin Oil	6.225
CONNECTOR, Oil Filter	1.855	COVER KIT, Engine Valve Rocker Arm	0.386
CONNECTOR, Parking Brake Cable	4.785	COVER KIT, Hydraulic Steering Valve	6.554
CONNECTOR, Steering Gear Oil Pressure Hose	6.673	COVER KIT, Steering Column	6.518
CONNECTOR, Transmission Control Valve	4.265	COVER KIT, Transmission Oil Pump	4.224
CONNECTOR, Transmission Oil Cooler	4.128	COVER, Oil Pump	1.723
CONNECTOR, Transmission Smog Control	4.075	COVER, Parking Brake Lever Housing	4.612
CONNECTOR, Transmission Converter	4.115	COVER, Radio Static Suppression	9.663
CONSOLE, Rear Compartment Floor	12.981	COVER, Rear Axle Housing	5.398
CONTACT, Door Electric and Vacuum Locks	10.485	COVER, Rear Compartment	15.222
CONTACT, Horn Button Blowing	2.819	COVER, Rear Compartment Floor	12.981
CONTACT, Starter Motor Switch	2.102	COVER, Roof Panel	12.810
CONTAINER, Seat Belt	14.875	COVER, Seat Adjuster	11.556
CONTAINER, Windshield Washer	10.154	COVER, Seat Belt	14.675
CONTROL, A.C. Electric Control	9.275	COVER, Shroud and Dash and Vent Duct	12.804
CONTROL, Carburetor	3.755	COVER, Spare Wheel	7.629
CONTROL, Carburetor Vacuum	3.765	COVER, Steering Column	6.518
CONTROL, Courtesy Lamp	11.935	COVER, Steering Column Housing	6.500
CONTROL, Distributor Vacuum	2.410	COVER, Steering Column Attaching	6.760
CONTROL, Door Lock Remote Control	10.500	COVER, Steering Gear Housing Side	6.807
CONTROL, Folding Top Compartment Lid	12.242	COVER, Transmission Case	4.105
CONTROL, Heater	8.849	COVER, Transmission Control Indicator	4.020
CONTROL, Heater & A.C. Control	9.273	COVER, Transmission Case	4.105
CONTROL, Heater Water Flow	8.866	COVER, Transmission Governor	4.256
CONTROLLER, Emission Control System	3.670	COVER, Transmission Oil Pan	4.197
CONTROLLER, Ignition Switch Warning, Lock or Headlamp	2.195	COVER, Transmission Oil Pump	4.224
CONTROLLER, Windshield Wiper Control	10.163	COVER, Transmission Oil Pump	4.203
CONTROL PKG, Dash Control(Group 7.460)	21.155	COVER, Transmission Rear Servo	4.241
CONTROL, Rear View Mirror	10.186	COVER, Transmission Servo & Accumulator	4.228
CONTROL, Windshield Wiper Control	10.163	COVER, Turn Signal Lamp	2.895
CONVERSION KIT, Transmission Clutch(Low & Reverse)	4.180	COVER, Turn Signal Switch	2.906
CONVERTER, Catalytic Converter	3.685	COVER, Wheel Carrier Lock	7.675
CONVERTER, Transmission Converter	4.115	COVER, Wheel Trim	5.858
COOLER, Transmission Oil	4.128	COVER, Windshield Wiper Motor	10.150
CORD, Engine Coolant Warmer	1.152	CRANKSHAFT, Engine	0.646
CORE, A.C. Compressor	9.177	CUP, Brake Main Cylinder	4.654
CORE, A.C. Evaporator	9.210	CUP, Horn Button Blowing	2.819
CORE, Heater Core	8.854	CUP, Turn Signal Switch	2.906
CORE, Suction Throttling (P.O.A.)	9.198	CUP, Wheel Brake	4.667
COUPLING, Steering Gear Shaft	6.525	CUSHION, Body to Frame Bolt	9.023
COUPLING, Tachometer	9.750	CUSHION, Bumper Energy Absorber	7.840
COVER, A.C. Compressor (Internal Parts)(Axial)	9.172	CUSHION, Differential Carrier Mounting	5.500
COVER, A.C. Evaporator	9.211	CUSHION, Door Window	10.716
COVER, Accelerator Pedal	3.451	CUSHION, Frame Cross, Intermediate	7.012
COVER, Air Cleaner Air Intake	3.417	CUSHION KIT, Body to Frame Bolt	9.023
COVER, Air Distributor	9.262	CUSHION, Radiator	1.270
COVER, Automatic Choke Control	3.750	CUSHION, Rear Spring	7.545
COVER, Back Window Reveal Molding	11.209	CUSHION, Windshield Wiper Access	10.130
COVER, Battery Filler	2.345	CYLINDER, A.C. Compressor	9.170
COVER, Brake and Clutch Pedal	4.630	CYLINDER, Brake Master	4.650
COVER, Brake Adjusting Hole	5.117	CYLINDER, Ignition Switch	2.188
COVER, Brake Cylinder and Pedal Shaft	4.648	CYLINDER, Instrument Panel Compartment Door Lock	10.266
COVER, Brake Master Cylinder	4.651	CYLINDER KIT, Door Outside Lock	10.550
COVER, Bumper	7.832	CYLINDER KIT, Ignition Switch	2.188
COVER, Bumper Face	7.831	CYLINDER, Steering Gear Hydraulic	6.576
COVER, Carburetor (with Leather and Shaft)	3.838	CYLINDER W/SHAFT, A.C. Compressor	9.170
COVER, Carburetor Air Cleaner	3.410	CYLINDER, Wheel Brake	4.665
COVER, Carburetor Idle Air Compensator	3.820	CYLINDER, Wheel Carrier Lock	7.575
COVER, Chassis Wiring Harness	2.559		
COVER, Cruise Control	3.885	D	
COVER, Distributor Cap Retaining	2.368	DAMPER, Engine Crankshaft	0.659
COVER, Door Hinge	10.450	DECAL, Front Door	12.112
COVER, Door Inner Panel	10.355	DECAL, Front Fender and Body Ornamentation ..	8.132
COVER, Engine Clutch	0.859	DECAL, Hood Panel Ornamentation	8.055
COVER, Engine Clutch Plate	0.861	DECAL, Rear Quarter Ornamentation	12.116
COVER, Engine Cover Front	0.206	DECAL, Transmission Control Lever Trim	4.017
COVER, Engine Valve Rocker Arm	0.386	DEFLECTOR, Air Distributor	9.262
COVER, Exhaust Manifold Heater	3.602	DEFLECTOR, Air Outlet	9.264
COVER, Flywheel	0.679	DEFLECTOR, Cumper to Body	7.832
COVER, Folding and Hard Top	14.080	DEFLECTOR, Propeller Shaft Pinion	5.545
COVER, Front Seat Bottom Hinge	11.375	DEFLECTOR, Radiator Air	1.272
COVER, Fuel Pump Mounting	3.901	DEFLECTOR, Rear Axle Universal Joint	5.425
COVER, Generator	2.313	DESICCANT, A.C. Refrigerant	9.195
COVER, Hardtop	13.346		

ALPHABETICAL INDEX

DESICCANT KIT, A.C. Refrigerant	9.195	ESCUTCHEON, Radio	9.650
DIAL, Transmission Control Indicator	4.020	ESCUTCHEON, Rear Compartment	12.249
DIAPHRAGM, Brake Master Cylinder	4.651	ESCUTCHEON, Rear Compartment Floor	12.981
DIAPHRAGM, Carburetor Throttle	3.758	ESCUTCHEON, Rear View Mirror	10.186
DIAPHRAGM, Carburetor (with Leather and Shaft)	3.838	ESCUTCHEON, Seat Adjuster	11.558
DIAPHRAGM, Power Brake Booster(Vacuum)	4.972	ESCUTCHEON, Seat Back Locking	11.390
DIFFUSER, Carburetor Air Cleaner	3.710	ESCUTCHEON, Windshield Wiper Transmission	10.160
DIODE, Distributor	2.383	EXTENSION, Air Injection Reactor	3.675
DIODE, Generator	2.319	EXTENSION, Bumper	7.836
DISC, Concealed Headlamp Control Drive	2.760	EXTENSION, Chassis Wiring	2.480
DISC, Front and Rear Wheel Brake	5.809	EXTENSION, Door Opening Rocker	12.934
DISC, Power Brake Booster Reaction	4.934	EXTENSION, Exhaust	3.609
DISC, Windshield Wiper Motor	10.150	EXTENSION, Exhaust Tail Pipe	3.705
DISTRIBUTOR, Ignition	2.361	EXTENSION, Fender Wheelhouse	8.155
DIVERTER, Door Inner Panel	10.355	EXTENSION, Flywheel	0.679
DOOR, Carburetor Air Cleaner Controls	3.415	EXTENSION, Front Body Hinge Pillar	12.840
DOOR, Fuel Tank Filler	12.945	EXTENSION, Front Fender	8.153
DOOR, Instrument Panel Compartment	10.261	EXTENSION, Front Fender Panel	8.131
DOOR, Parking Lamp	2.593	EXTENSION, Instrument Panel	10.230
DOOR, Plenum Air	9.789	EXTENSION KIT, Transmission Rear Main	4.317
DOOR, Rear Compartment Floor	12.981	EXTENSION, Radiator	1.263
DOWEL, Engine Clutch Housing or Transmission	0.685	EXTENSION, Radiator to Grille	1.287
DOWEL, Engine Flywheel	0.669	EXTENSION, Radiator Fan	1.277
DRIVE, Starter Motor	2.086	EXTENSION, Rear Quarter	15.100
DRUM, Front and Rear Wheel Brake	5.809	EXTENSION, Roof Panel	12.810
DRUM, Transmission Clutch	4.169	EXTENSION, Steering Wheel	6.512
DUCT, Air Cleaner Air Intake	3.417	EXTENSION, Tire Valve And Cover Lock	5.875
DUCT, Air Distributor	9.262	EXTENSION, Transmission Extension	4.317
DUCT, Air Distributor	9.786	EXTENSION, Transmission Rear	4.317
DUCT, Rear Window Defogger	9.778	EXTENSION, Transmission Rear Main	4.317
DUCT, Windshield Defroster	9.779	EXTENSION, Transmission Rear Main Bearing	4.317
		EXTENSION, Windshield Wiper Access	10.130
		EXTENSION, Windshield Washer	10.154
		EYELET, Front Door Trim	14.685
		EYELET, Instrument Panel	10.230

E

ELBOW, Air Cleaner Air Intake	3.417
ELBOW, Air Injection Reactor and Exhaust Gas Recirculation	3.680
ELBOW, Crankcase	1.745
ELBOW, Engine Coolant By-Pass Hose	1.097
ELBOW, Fuel Injection	3.330
ELBOW, Fuel Line	3.163
ELBOW, Heater Motor Cool	8.859
ELBOW, Oil Pressure Gage	1.803
ELBOW, Power Brake Booster(Vacuum)	4.931
ELEMENT, Carburetor Air Cleaner	3.410
ELEMENT, Cigarette Lighter	9.709
ELEMENT, Engine Fuel	3.890
ELEMENT, Oil Filter	1.836
EMBLEM, Engine Valve Rocker Arm	0.386
EMBLEM, Floor Console	10.240
EMBLEM, Front Fender Name	8.147
EMBLEM, Fuel Tank Filler	12.945
EMBLEM, Hood Panel Ornamentation	8.055
EMBLEM, Horn Button	2.820
EMBLEM KIT, Front Fender Name	8.147
EMBLEM KIT, Radiator Grille and Front End Ornamentation	1.303
EMBLEM, License Plate	7.800
EMBLEM, Radiator Grille and Front End Ornamentation	1.303
EMBLEM, Rear Compartment Lid and Rear End Panel	12.182
EMBLEM, Wheel Cover Appearance	5.871
END, Concealed Headlamp Opening Cover	2.770
ENGINE, Engine	0.033
ENGINE, Universal	0.000
EQUALIZER, Parking Brake Cable	4.765
ESCUTCHEON, Arm Rest Ash Tray	12.048
ESCUTCHEON, Door Lock Inside Handle Escutcheon(Trim Protector)	10.515
ESCUTCHEON, Door Outside Handle	10.537
ESCUTCHEON, Door Window Regulator Handle	10.805
ESCUTCHEON, Front Seat Head Restraint	11.376
ESCUTCHEON, Ignition Switch Warning, Lock or Headlamp	2.195
ESCUTCHEON, Instrument Panel Compartment Door Lock	10.267

F

FAN, A.C. Evaporator Blower	9.216
FAN, Air Injector Reactor Pump	3.665
FAN, Engine Air Cooling(Electrical)	1.055
FAN, Engine Cooling	1.064
FAN, Generator	2.274
FAN, Heater and Defroster	8.857
FAN, Rear Window Defogger	9.778
FAN, Roof Ventilation	12.811
FASTENER, Bottom of Top Front Roof Rail to Windshield	14.060
FASTENER, Door Handle Push Button	12.195
FASTENER, Door Weatherstrip	10.695
FASTENER, Front Door Trim	14.685
FASTENER, Front Door Trim Binding Strip	14.683
FASTENER, Front Door Window	10.685
FASTENER, Hardtop	13.346
FASTENER, Instrument Panel	15.280
FASTENER, Radiator	1.270
FASTENER, Radio Mounting	9.667
FASTENER, Roof Panel	12.810
FASTENER, Windshield Garnish Molding	10.056
FELT, Air Outlet	9.264
FELT, Front Wheel Hub Bearing	6.326
FERRULE, Hardtop	13.346
FERRULE, Headlamp Switch	2.487
FERRULE, Ignition Lock	2.198
FILLER, Bumper Face	7.831
FILLER, Bumper Guard	7.828
FILLER, Front Door Window	10.685
FILLER, Windshield Upper and Lower	12.807
FILTER, Air Injection Reactor and Exhaust Gas Recirculation	3.680
FILTER, Carburetor and Fuel Meter Fuel Inlet	3.740
FILTER, Concealed Headlamp Control Drive	2.760
FILTER, Engine Fuel	3.890
FILTER, Fuel Tank Evaporator Control(Engine End)	3.130
FILTER, Fuel Tank Gage	3.110
FILTER, Instrument Cluster	9.748
FILTER KIT, Engine Fuel	3.890
FILTER, Oil Filter	1.836
FILTER, Power Brake Booster	4.913
FILTER, Tachometer	9.750

ALPHABETICAL INDEX

FILTER, Transmission Oil Pan	4.197
FILTER, Windshield Washer	10.154
FITTING, A.C. Compressor	9.226
FITTING, Air Injection Reactor and Exhaust Gas Recirculation	3.680
FITTING, Auto Shock Absorber	7.447
FITTING, Intake Manifold Vacuum	3.278
FITTING, Oil Pressure Gage	1.803
FITTING, Power Brake Booster(Vacuum)	4.931
FITTING PKG, Filler(Group 7.482)	21.205
FITTING, Speedometer Driven Gear	4.338
FITTING, Steering Gear Oil Pressure Hose	6.673
FLANGE, Air Cleaner to Carburetor Mounting	3.406
FLANGE, Exhaust Pipe	3.610
FLANGE, Exhaust Tail Pipe	3.705
FLANGE, Oil Pan Drain	1.453
FLANGE, Propeller Shaft Pinion	5.545
FLANGE, Rear Axle Universal Joint	5.425
FLANGE, Rear Wheel	5.806
FLANGE, Steering Gear Shaft	6.525
FLANGE, Transmission Oil	4.195
FLANGE, Transmission Low Sun Gear and Clutch	4.162
FLASHER, Ignition Switch Warning, Lock or Headlamp	2.195
FLASHER, Side Marker and Hazard Flasher	2.575
FLASHER, Turn Signal Lamp	2.892
FLOAT, Carburetor and Fuel Meter	3.745
FLOUID, Hydraulic Brake System	4.683
FLYWHEEL, Engine Crankshaft	0.666
FORK, Engine Clutch Release	0.795
FORK, Transmission Gearshift	4.303
FRAME, Back Window	11.204
FRAME, Carburetor Air Cleaner Controls	2.115
FRAME, Chassis Frame	7.003
FRAME, Front Seat Back	11.373
FRAME, Front Seat Cushion	11.419
FRAME, Generator Drive End	2.305
FRAME, Generator Slip Ring	2.297
FRAME, License Plate	7.800
FRAME, Plenum Air	9.789
FRAME, Rear Compartment Floor	12.981
FRAME, Roof Panel	12.810
FRAME, Starter Motor Commutator End	2.067
FRAME, Windshield Side	12.808
FRAME, Windshield Upper and Lower	12.807
FUSE, A.C. Compressor (Internal Parts)(Axial)	9.172

G

GAGE, Engine Coolant Temperature (Dash Unit)	1.148
GAGE, Fuel Tank Meter	3.107
GAGE, Instrument Panel	2.515
GAGE, Instrument Panel Fuel Gage	3.108
GAGE, Oil Pressure Gage	1.803
GASKET, A.C. Compressor	9.177
GASKET, A.C. Evaporator Expansion Valve	9.214
GASKET, A.C. Evaporator	9.211
GASKET, Air Duct	9.782
GASKET, Air Injection Reactor and Exhaust Gas Recirculation	3.680
GASKET, Automatic Choke Control	3.750
GASKET, Axle Housing to Differential Carrier	5.508
GASKET, Back Up Lamp	2.697
GASKET, Brake Flange Plate	5.002
GASKET, Brake Master Cylinder	4.651
GASKET, Carburetor and Fuel Meter Fuel Inlet	3.740
GASKET, Carburetor to Manifold	3.726
GASKET, Carburetor Air Cleaner and Silencer	3.403
GASKET, Carburetor Float Bowl to Cover (or Air Horn)	3.738
GASKET, Carburetor Idle Air Compensator	3.820
GASKET, Choke Heater or Air	3.603
GASKET, Crankcase Oil Filler	1.758
GASKET, Distributor and Fuel Injector	2.363
GASKET, Door Handle Push Button	12.195
GASKET, Door Hinge	10.450
GASKET, Door Inner Panel	10.355
GASKET, Door Outside Lock	10.550
GASKET, Emission Control System	3.671
GASKET, Engine Coolant Pump	1.079

GASKET, Engine Coolant Outlet	1.154
GASKET, Engine Cylinder Head	0.289
GASKET, Engine Front Cover	0.207
GASKET, Engine Fuel	3.890
GASKET, Engine Valve Rocker Arm Cover	0.423
GASKET, Exhaust Manifold Heater	3.602
GASKET, Exhaust Pipe	3.611
GASKET, Folding and Hard Top	14.080
GASKET, Fuel Gage to Tank	3.112
GASKET, Fuel Injection	3.308
GASKET, Fuel Injector Metering	3.332
GASKET, Fuel Meter Control	3.318
GASKET, Fuel Pump Mounting	3.904
GASKET, Fuel Tank Filler Neck	3.008
GASKET, Generator Drive End	2.307
GASKET, Headlamp Body to Fender	2.722
GASKET, Heater and Defroster	8.857
GASKET, Heater Core	8.854
GASKET, Hydraulic Steering Valve	6.554
GASKET, Ignition Switch Warning, Lock or Headlamp	2.195
GASKET, Instrument Cluster	9.749
GASKET KIT, Carburetor	3.724
GASKET KIT, Door Outside Handle	10.537
GASKET KIT, Engine	0.010
GASKET KIT, Engine Cylinder Head	0.289
GASKET KIT, Manifold to Cylinder Head	3.270
GASKET KIT, Oil Pan	1.429
GASKET KIT, Transmission Overhaul	4.005
GASKET KIT, Transmission Control Valve	4.265
GASKET KIT, Transmission Overhaul	4.005
GASKET, Main Cylinder Outlet Fitting	4.661
GASKET, Manifold to Cylinder Head	3.270
GASKET, Oil Filter	1.844
GASKET, Oil Pan Drain Plug	1.456
GASKET, Power Brake Booster(Vacuum)	4.931
GASKET, Power Brake Booster	4.910
GASKET, Radio Antenna	9.647
GASKET, Rear Axle or Final Drive Filler and Drain	5.400
GASKET, Rear Axle Housing Cover	5.399
GASKET, Rear View Mirror	10.186
GASKET, Rear Window Defogger	9.778
GASKET, Spark Plug	2.271
GASKET, Speedometer to Instrument Panel(Domestic)	9.761
GASKET, Starter Solenoid	2.104
GASKET, Steering Gear Housing Side Cover	6.809
GASKET, Tail Lamp	2.660
GASKET, Tail Lamp Lens	2.684
GASKET, Transmission Cover	4.109
GASKET, Transmission Main Drive Gear Bearing Retainer	4.358
GASKET, Transmission Rear Main Bearing	4.318
GASKET, Transmission Case	4.109
GASKET, Transmission Rear Main Bearing	4.318
GASKET, Transmission Control Valve	4.265
GASKET, Transmission Oil Pan	4.196
GASKET, Transmission Oil Pump	4.226
GASKET, Transmission Rear Servo	4.241
GASKET, Transmission Main Valve Body	4.217
GASKET, Transmission Governor	4.256
GASKET, Transmission Oil Pump	4.203
GASKET, Transmission Oil Pan	4.197
GASKET, Transmission Governor	4.256
GASKET, Transmission Oil Pan	4.196
GASKET, Transmission Vacuum	4.205
GASKET, Transmission Oil Pump Suction	4.197
GASKET, Transmission Main Drive Gear Bearing Retainer	4.358
GASKET, Transmission Extension	4.318
GASKET, Transmission Servo	4.212
GASKET UNIT, Oil Pan	1.429
GASKET, Valve Push Rod Cover	0.443
GASKET, Windshield Washer Pump	10.153
GASKET, Windshield Wiper Motor	10.152
GATE, Transmission Gearshift Shaft	4.027
GATE, Transmission Shift Control Lever	4.027
GEAR, Concealed Headlamp Control Drive	2.760
GEAR, Differential Pinion	5.526
GEAR, Differential Side	5.528
GEAR, Engine Flywheel	0.673
GEAR KIT, Differential Side	5.527
GEAR KIT, Distributor Drive and Driven	2.374

ALPHABETICAL INDEX

GEAR KIT, Transmission Governor	4.256	GUARD PKG, Fender Splash(Group B.214)	21.220
GEAR, Radio Antenna	9.647	GUARD, Steering Pump	6.655
GEAR, Ring and Pinion	5.529	GUIDE, A.C. Compressor Pulley	9.181
GEAR, Speedometer Drive	4.343	GUIDE, Ash Receiver Mounting	12.016
GEAR, Speedometer Driven	4.337	GUIDE, Back Window	11.204
GEAR, Speedometer Drive	4.343	GUIDE, Differential Clutch	5.511
GEAR, Speedometer Driven	4.337	GUIDE, Engine Valve Push Rod	0.439
GEAR, Steering	6.508	GUIDE, Folding Top Compartment Lid	12.242
GEAR, Steering Gear Pitman	6.850	GUIDE, Folding Top Roof Rail	14.090
GEAR, Tachometer	9.750	GUIDE, Generator	2.274
GEAR, Transmission Countershaft	4.421	GUIDE, Hood Latch Release Cable	8.077
GEAR, Transmission Countershaft	4.421	GUIDE, Parking Brake Cable	4.785
GEAR, Transmission First and Reverse	4.417	GUIDE, Parking Brake Release	4.594
GEAR, Transmission Governor	4.256	GUIDE, Plenum Air	9.789
GEAR, Transmission Input	4.158	GUIDE, Radio Antenna	9.647
GEAR, Transmission Main Drive	4.351	GUIDE, Seat Belt	14.875
GEAR, Transmission Main Drive (Clutch)	4.351	GUIDE, Steering Column	6.514
GEAR, Transmission Reverse Idler	4.430	GUIDE, Steering Gear Ball Return	6.842
GEAR, Transmission Reverse Idler	4.430	GUIDE, Transmission Clutch	4.164
GEAR, Transmission Rear Internal Gear	4.187	GUIDE, Transmission Oil Pump	4.226
GEAR, Transmission Rear Unit	4.187	GUSSET, Differential Carrier Mounting	5.500
GEAR, Transmission Second Speed	4.395	GUSSET, Frame Front Cross Member	7.039
GEAR, Transmission Speedometer Driven	4.337	GUSSET, Front Body Hinge Pillar	12.840
GEAR, Transmission Speedometer Drive	4.343		
GEAR, Transmission Sun Gear	4.159		
GEAR, Transmission Third Gear	4.415		
GEAR, Transmission 1st and Reverse Sliding	4.417		
GEAR, Windshield Wiper Motor Drive	10.151		
GENERATOR, Engine Electrical	2.275		
GLASS, Back Window	11.204		
GLASS, Front Door Window	10.681		
GLASS, Quarter Window	11.011		
GLASS, Rear Hatch Window	12.180		
GLASS, Windshield Glass	10.027		
GOVERNOR KIT, Transmission Governor	4.256		
GOVERNOR, Transmission Governor	4.256		
GRILLE, Cowl Top Vent Louver	12.800		
GRILLE, Hood Panel Ornamentation	8.055		
GRILLE, Radiator Grille	1.266		
GRILLE, Radio Auxiliary Speakers	9.665		
GRILLE, Radio Speaker	9.655		
GRILLE, Rear Window Defogger	9.778		
GRILLE, Roof Ventilation	12.811		
GRILLE, Windshield Defroster	9.779		
GROMMET, A.C. Refrigerant	9.196		
GROMMET, Back Up Lamp	2.697		
GROMMET, Bumper to Body	7.833		
GROMMET, Chassis Wiring	2.480		
GROMMET, Concealed Headlamp Control Opening Cover	2.765		
GROMMET, Concealed Headlamp Control Drive	2.760		
GROMMET, Crankcase	1.745		
GROMMET, Distributor	2.383		
GROMMET, Distributor	2.372		
GROMMET, Distributor	2.401		
GROMMET, Door Inside Locking Rod	10.565		
GROMMET, Engine Valve Rocker Arm	0.386		
GROMMET, Folding Top Compartment	12.170		
GROMMET, Folding Top Motor and Pump	14.482		
GROMMET, Hood Hinge	8.016		
GROMMET, Hood Latch Release Cable	8.077		
GROMMET, Hydraulic Steering Cylinder Piston Rod	6.581		
GROMMET, Instrument Panel Compartment Door	10.262		
GROMMET, Parking Brake Release	4.594		
GROMMET, Power Brake Booster(Vacuum)	4.930		
GROMMET, Power Brake Booster Check(Vacuum)	4.955		
GROMMET, Radio Antenna	9.647		
GROMMET, Rear Window Defogger	9.778		
GROMMET, Seat Belt	14.875		
GROMMET, Shock Absorber	7.388		
GROMMET, Spark Plug Wire	2.251		
GROMMET, Stabilizer Link	7.244		
GROMMET, Starter Motor Switch	2.102		
GROMMET, Transmission Oil Pan	4.197		
GROMMET, Transmission Control Rod To Lever	4.037		
GROMMET, Windshield Wiper Access	10.130		
GROMMET, Windshield Wiper Motor	10.150		
GROMMET, Windshield Wiper Motor	10.152		
GROMMET, Wiring and Pipes	9.775		
GUARD, Bumper Guard	7.828		
GUARD, Engine Fuel Intake Manifold	3.265		
		H	
		HAMMER, Wheel and Jack Wrench	8.821
		HANDLE, Door Inside Locking Rod	10.559
		HANDLE, Door Lock Inside	10.512
		HANDLE, Door Outside Handle	10.527
		HANDLE, Door Window Regulator	10.797
		HANDLE, Front Door Trim Finish	14.691
		HANDLE, Parking Brake Apply Lever	4.592
		HANDLE, Quarter Window	11.044
		HANDLE, Rear Compartment Floor	12.981
		HANDLE, Transmission Gearshift Control (Hand)	4.006
		HANDLE, Transmission Control	4.006
		HANDLE, Transmission Control Lever	4.006
		HANGER, Catalytic Converter	3.690
		HANGER, Exhaust Mounting	3.706
		HANGER, Exhaust Muffler	3.704
		HANGER, Exhaust Pipe	3.616
		HANGER, Exhaust Pipe	3.706
		HANGER KIT, Exhaust Mounting	3.704
		HANGER KIT, Exhaust Muffler	12.810
		HANGER, Roof Panel	7.829
		HANGER, Spare Wheel	9.276
		HARNES, A.C. Wiring	13.090
		HARNES, Body Wiring	2.480
		HARNES, Chassis Wiring	3.887
		HARNES, Cruise Control	2.383
		HARNES, Distributor	10.485
		HARNES, Door Electric and Vacuum Locks	2.525
		HARNES, Engine Wiring	8.852
		HARNES, Heater Control	3.675
		HARNES HOSE-PIPE, Air Injection Reactor	10.185
		HARNES, Inside and Outside Rear View	9.656
		HARNES KIT, Radio and Speaker	14.875
		HARNES KIT, Seat Belt	9.656
		HARNES, Radio and Speaker	9.647
		HARNES, Radio Antenna	9.778
		HARNES, Rear Window Defogger	14.875
		HARNES, Seat Belt	7.068
		HARNES, Towing	9.174
		HEAD, A.C. Compressor	0.269
		HEAD, Engine Cylinder	4.924
		HEAD, Power Brake Booster(Vacuum)	9.761
		HEAD, Speedometer to Instrument Panel(Domestic)	21.240
		HEATER PKG, Engine Block(Group 1.152)	2.319
		HEAT SINK, Generator	10.450
		HINGE, Door Hinge	11.375
		HINGE, Front Seat Bottom Hinge	12.945
		HINGE, Fuel Tank Filter	8.015
		HINGE, Hood Panel	12.981
		HINGE, Rear Compartment Floor	12.184
		HINGE, Rear Compartment Lid and End Gate	3.806
		HOLDER KIT, Carburetor Metering	2.291
		HOLDER KIT, Generator Brush	2.052
		HOLDER, Starter Motor Brush	10.150
		HOLDER, Windshield Wiper Motor	8.000
		HOOD, Panel	

ALPHABETICAL INDEX

HOOK, Coat	15.388
HOOK, Rear Compartment Floor	12.981
HORN, Carburetor Air	3.730
HORN, Ignition Switch Warning, Lock or Headlamp	2.195
HORN, Warning	2.810
HOSE, A.C. Refrigerant (Metal and Rubber Sections)	9.225
HOSE, A.C. Vacuum & Temperature	9.281
HOSE, Air Distributor	9.786
HOSE, Air Injection Reactor	3.675
HOSE, Air Outlet	9.260
HOSE, Back Window Gutter	10.997
HOSE, Crankcase Ventilation	1.762
HOSE, Engine Coolant By-Pass Hose	1.087
HOSE, Fuel Line	3.163
HOSE, Fuel Tank Filler	3.003
HOSE, Heater	8.846
HOSE, Heater Temperature Control	8.850
HOSE, Oil Pressure Gage	1.803
HOSE, Power Brake Booster(Vacuum)	4.931
HOSE, Radiator Inlet (upper)	1.159
HOSE, Radiator Outlet (lower)	1.173
HOSE, Steering Gear Oil Return	6.671
HOSE, Steering Gear Oil Pressure	6.670
HOSE, Transmission Vacuum	4.205
HOSE, Wheel Brake	4.680
HOSE, Windshield Defroster	9.779
HOUSING, A.C. Refrigerant	9.195
HOUSING, Air Distributor	9.786
HOUSING, Bolt Engine Clutch	0.683
HOUSING, Brake Cylinder and Pedal Shaft	4.648
HOUSING, Cigarette Lighter	9.709
HOUSING, Concealed Headlamp Opening Cover	2.770
HOUSING, Dome and Reading Lamp	11.927
HOUSING, Door Outside Handle	10.529
HOUSING, Folding and Hard Top	14.080
HOUSING, Front Door Wedge	10.584
HOUSING, Front Door Window Regulator	10.783
HOUSING, Heater Control	8.852
HOUSING, Ignition Distributor	2.352
HOUSING, Instrument Cluster Warning	9.765
HOUSING KIT, Radio Antenna	9.647
HOUSING KIT, Steering Column	6.518
HOUSING KIT, Steering Column	6.514
HOUSING KIT, Transmission Clutch	4.169
HOUSING, Outside Air	9.767
HOUSING, Parking, Turn Signal and Cornering Lamp	2.586
HOUSING, Radiator Grille	1.266
HOUSING, Radio Antenna	9.647
HOUSING, Radio Auxiliary Speakers	9.665
HOUSING, Roof Panel	12.810
HOUSING, Speedometer to Instrument Panel(Domestic)	9.761
HOUSING, Starter Motor Drive	2.085
HOUSING, Steering Column	6.518
HOUSING, Steering Gear	6.803
HOUSING, Steering Pump	6.608
HOUSING, Tail Lamp	2.680
HOUSING, Temperature Control	8.858
HOUSING, Transmission Control Lever	4.010
HOUSING, Transmission Input	4.158
HOUSING, Transmission Servo & Accumulator	4.228
HOUSING, Transmission Clutch	4.169
HOUSING, Transmission Control Lever	4.010
HOUSING, Wheel Brake	4.665
HUB, Front and Rear Wheel Brake	5.809
HUB, Front Wheel	6.307
HUB, Steering Wheel	6.512
HUB, Transmission Clutch	4.164
HUB, Wheel Cover Appearance	5.871
I	
INDICATOR, Oil Level	1.516
INDICATOR, Transmission Control Indicator	4.020
INDICATOR, Transmission Oil Filler	4.133
INLET, A.C. Refrigerant	9.195
INSERT, Brake Hose	4.671
INSERT, Carburetor Float	3.734

INSERT, Carburetor Metering	3.806
INSERT, Concealed Headlamp Motor	2.755
INSERT, Lamp Monitor	2.584
INSERT, Luggage Carrier	12.815
INSERT, Main Cylinder Outlet Fitting	4.661
INSERT, Transmission Control Lever Trim	4.017
INSERT, Wheel Cover Appearance	5.871
INSERT, Windshield Wiper	10.146
INSULATION, Carburetor to Manifold	3.726
INSULATION, Floor Pan	15.492
INSULATION, Starter Motor	2.049
INSULATOR, A.C. Expansion Refrigerant	9.213
INSULATOR, Body to Frame Bolt	9.023
INSULATOR, Carburetor to Manifold	3.726
INSULATOR, Distributor	2.383
INSULATOR, Door Lock	10.506
INSULATOR, Exhaust Muffler	3.704
INSULATOR, Floor Pan	15.492
INSULATOR, Floor Pan	12.980
INSULATOR, Fuel Tank Mounting	3.022
INSULATOR, Generator	2.313
INSULATOR, Hood Panel	9.021
INSULATOR, Horn Button Blowing	2.819
INSULATOR, Instrument Panel	15.280
INSULATOR, Radiator	1.270
INSULATOR, Rear Spring	7.545
INSULATOR, Roof Panel	12.810
INSULATOR, Wheel Cylinder	4.668
INTERLOCK, Transmission Gearshift Shaft	4.027

J

JACK, auto Jack	8.820
JACKET, Steering Column	6.518
JET, Carburetor Metering Rod, with Gasket	3.792

K

KEY, A.C. Compressor Clutch Actuating	9.188
KEY, Door Outside Lock	10.550
KEY, Engine Valve Spring	0.310
KEY, Hydraulic Steering Adapter	6.560
KEY, Ignition and Locks	2.187
KEY, Speedometer Adapter	4.330
KEY, Speedometer Drive Adapter	4.330
KEY, Transmission Speedometer Drive	4.330
KEY, Transmission Synchronizing	4.384
KEY, Transmission Synchronizer	4.384
KIT, A.C. Refrigerant	9.195
KIT, Brake Shoe Adjusting	5.110
KIT, Engine Tune-up	2.270
KIT, Steering Gear Repair	6.507
KNOB, Clock	9.772
KNOB, Door Inside Locking Rod	10.559
KNOB, Door Lock Inside	10.512
KNOB, Door Lock Inside Handle	
Escutcheon(Trim Protector)	10.515
KNOB, Front Door Vent Regulator	10.664
KNOB, Front Seat Manual Adjuster	11.588
KNOB, Heater Control	8.852
KNOB KIT, Clock	9.772
KNOB, Outside Air	9.787
KNOB, Radio Control	9.649
KNOB, Rear Window Defogger	9.778
KNOB, Seat Back Locking	11.390
KNOB, Side Marker and Hazard Flasher	2.575
KNOB, Speedometer to Instrument Panel(Domestic)	9.761
KNOB, Transmission Control Lever	4.006
KNOB, Transmission Control	4.006
KNOB, Transmission Gearshift Control (Hand)	4.006
KNOB, Turn Signal Control	2.897
KNOB, Windshield Washer and Wiper Control	10.164
KNUCKLE, Steering	6.020

ALPHABETICAL INDEX

L

LABEL, Fuel Tank Filler	12.945
LABEL, Fuel Tank Filler	3.028
LAMP, Back Up Lamp	2.697
LAMP, Luggage Compartment	9.988
LAMP, Parking, Turn Signal and Cornering	2.585
LAMP PKG, Fog(Group 2 727)	21.270
LAMP, Rear License Lamp	2.700
LAMP, Side Marker and Hazard Flasher	2.575
LAMP, Tail lamp	2.679
LAMP, Underhood	8.890
LATCH, Rear Compartment	12.247
LEAD, Distributor	2.400
LEAD, Starter Motor Brush Ground	2.055
LENS, A.C. Control	9.279
LENS, Back Up Lamp	2.697
LENS, Courtesy Dome and Reading Lamp	11.928
LENS, Instrument Cluster	9.748
LENS, Instrument Panel Compartment Lamp	10.275
LENS, Lamp Monitor	2.583
LENS, Parking, T/Signal or Cornering Lamp	2.589
LENS, Rear License Lamp	2.709
LENS, Sunshade Vanity Mirror	10.195
LENS, Tail Lamp	2.682
LENS, Transmission Control Indicator	4.020
LETTER KIT, Hood Panel Ornamentation	8.055
LETTER KIT, Rear Compartment Lid and Rear End Panel	12.182
LEVEL INDICATOR, Windshield Washer	10.154
LEVER, A.C. Control	9.278
LEVER, Accelerator Pedal Lever	3.454
LEVER, Brake Shoe Automatic Adjusting	5.103
LEVER, Carburetor and Fuel Injection Choke	3.752
LEVER, Carburetor and Fuel Injection Fast Idle	3.766
LEVER, Carburetor Power	3.858
LEVER, Carburetor Pump	3.842
LEVER, Cruise Control	3.883
LEVER, Door Lock	10.506
LEVER, Engine Clutch Control	0.852
LEVER, Folding Top	14.340
LEVER, Ignition Switch Warning, Lock or Headlamp	2.195
LEVER KIT, Parking Brake	5.149
LEVER, Parking Brake	5.149
LEVER, Parking Brake Apply	4.591
LEVER, Side Marker and Hazard Flasher	2.575
LEVER, Starter Motor Drive Shift	2.108
LEVER, Steering Column Housing	6.500
LEVER, Steering Column	6.514
LEVER, Steering Idler	6.895
LEVER, Transmission Control Lever	4.010
LEVER, Transmission Control Lever	4.006
LEVER, Transmission Control	4.045
LEVER, Transmission Control Lever	4.006
LEVER, Transmission Detent	4.279
LEVER, Transmission Gearshift	4.045
LEVER, Transmission Gearshift Shaft	4.030
LEVER, Transmission Manual Valve	4.218
LEVER, Transmission Shift Control	4.030
LEVER, Transmission Shift Control	4.004
LEVER, Transmission Throttle Valve	4.278
LEVER, Transmission Throttle Valve	4.275
LEVER, Turn Signal Control	2.897
LEVER, Turn Signal Lamp	2.895
LIFTER, Engine Valve	0.459
LIMITER, Carburetor and Fuel Injection Idle Adjusting Screw	3.823
LINER, Door Inner Panel	10.355
LINER, Front Door Trim	14.685
LINER, Rear Leaf Spring	7.495
LINK, Air Distributor	9.786
LINK, Brake Shoe Automatic Adjusting Lever	5.105
LINK, Carburetor	3.755
LINK, Concealed Headlamp Control Opening Cover	2.765
LINK, Cruise Control	3.885
LINK, Stabilizer	7.240
LINK, Transmission Control Indicator	4.020
LINK, Transmission Detent	4.279
LINK, Transmission Throttle Valve	4.275
LINK, Wheel Cylinder to Brake Shoe Thrust	4.675
LITTER PKG, Container & Tissue(Group 8.891) ..	21.320

LOCK, Air Injection Reactor and Exhaust Gas Recirculation	3.680
LOCK, Air Injection Reactor	3.675
LOCK, Back Window Glass	11.207
LOCK CYL KIT, Rear Compartment	12.248
LOCK, Emission Control System	3.671
LOCK, Exhaust Manifold End Bolt	3.604
LOCK, Exhaust System Attaching	3.708
LOCK, Folding and Hard Top	14.080
LOCK, Folding Top Compartment Lid	12.242
LOCK, Front Door	10.470
LOCK, Ignition Switch	2.188
LOCK KIT, Steering Column Housing	6.500
LOCK, Rear Axle U Joint	5.428
LOCK, Rear Compartment Lid	12.242A
LOCK, Roof Panel	12.810
LOCK, Seat Back Locking	11.390
LOCK, Steering Column Housing	6.500
LOCK, Transmission Control Idler	4.042
LOCK, Transmission Main Drive Gear Bearing	4.356
LOGIC, Body Harness	13.095
LOUVER, Front Fender Name	8.147
LUBRICATOR KIT, Distributor	2.364

M

MAGNET KIT, Radio Antenna	9.647
MAGNET KIT, Transmission Case	4.105
MAGNET, Windshield Wiper Motor	10.150
MANIFOLD, Engine Exhaust Manifold	3.601
MANIFOLD, Engine Fuel Intake Manifold	3.265
MAT, Front Floor	15.286
MAT, Instrument Panel	15.280
MAT, Rear Compartment	15.222
MEMBER, Bumper Face	7.831
MEMBER, Frame Cross, Intermediate	7.012
MEMBER KIT, Front Frame Cross	7.010
MEMBER, Rear Frame Cross	7.014
MEMBER, Transmission Support	7.011
MEMBER, Transmission Mounting	4.081
METER, Fuel Tank Meter	3.107
MICROPHONE, Radio	9.650
MIRROR, Inside and Outside Rear View	10.185
MIRROR PKG, Visor Vanity(Group 10.195)	21.440
MIRROR, Sunshade Vanity Mirror	10.195
MODULATOR KIT, Transmission Vacuum	4.205
MODULATOR, Transmission Vacuum	4.205
MODULATOR, Transmission Vacuum	4.205
MODULE, Chassis Wiring	2.480
MODULE, Distributor	2.383
MODULE, Emission Control System	3.670
MODULE, Instrument Cluster Warning	9.765
MOLDING, Back Window Garnish	11.120
MOLDING, Back Window Reveal	11.208
MOLDING, Exhaust Manifold Heater	3.602
MOLDING, Front Door	12.112
MOLDING, Front Door Window Reveal	10.707
MOLDING, Front Fender and Body Ornamentation	8.132
MOLDING, Headlamp	2.728
MOLDING, Instrument Panel Trim	10.252
MOLDING KIT, Hood Panel	8.015
MOLDING PKG, Front Fender and Body Side(Group 8.132)	21.450
MOLDING, Radiator Grille	1.268
MOLDING, Rear Compartment Floor	12.981
MOLDING, Rear Quarter Ornamentation	12.116
MOLDING, Rocker Panel	8.304
MOLDING, Roof Drip	12.075
MOLDING, Roof Panel	12.810
MOLDING, Windshield Garnish Molding	10.051
MOLDING, Windshield Reveal Molding	10.093
MOTOR, A.C. Evaporator Blower	9.215
MOTOR, Carburetor Air Cleaner Controls	3.415
MOTOR, Concealed Headlamp Control Drive	2.760
MOTOR, Engine Air Cooling(Electrical)	1.055
MOTOR, Front Door Window Regulator	10.783
MOTOR, Heater Blower Motor	8.855
MOTOR, Radio Antenna	9.647
MOTOR, Rear Window Delogger	9.778
MOTOR, Seat Adjuster	11.556

ALPHABETICAL INDEX

MOTOR, Starter	2 041
MOTOR, Windshield Wiper Motor	10 140
MOUNTING, Engine	0 027
MOUNTING, Transmission Mounting	4 081
MOUNT, Transmission Mounting	4 081
MOUNT, Transmission Mounting	4 081

N

NECK, Fuel Tank Filler	3 003
NEEDLE, Carburetor and Fuel Injection Idle Adjusting	3 822
NEEDLE KIT, Carburetor and Fuel Meter Intake (with Seat and Gasket)	3 814
NIPPLE, Crankcase	1 745
NIPPLE, Fuel Tank Filler	3 003
NIPPLE, Heater Water Flow	8 866
NIPPLE, Spark Plug Wire	2 258
NOZZLE, Carburetor	3 774
NOZZLE, Fuel Injector Metering	3 332
NOZZLE, Windshield Washer	10 156
NUMERAL, Hood Panel Ornamentation	8 055
NUT, A.C. Compressor Pulley	9 181
NUT, A.C. Electric Control	9 275
NUT, Air Injection Reactor Pump	3 655
NUT, Body Moldings	12 118
NUT, Body Rear End(Plastic Laminated)	12 986
NUT, Bumper to Body	7 833
NUT, Bumper Face	7 831
NUT, Carburetor and Fuel Meter Intake (with Seat and Gasket)	3 814
NUT, Carburetor and Fuel Meter Fuel Inlet	3 740
NUT, Carburetor Air Cleaner and Silencer	3 403
NUT, Chassis Spring Harness	2 559
NUT, Clock	9 772
NUT, Clutch Release Lever	0 873
NUT, Crankcase	1 745
NUT, Distributor	2 383
NUT, Door Lock	10 474
NUT, Door Outside Handle	10 527
NUT, Door Window	10 716
NUT, Door Window Regulator	10 792
NUT, Emission Control System	3 671
NUT, Engine Air Cooling(Electrical)	1 055
NUT, Engine Connecting Rod Bolt	0 626
NUT, Engine Mounting	0 002
NUT, Engine Valve Adjusting	0 429
NUT, Exhaust Muffler	3 704
NUT, Exhaust Pipe	3 613
NUT, Exhaust Pipe	3 616
NUT, Front Door Trim Finish	14 691
NUT, Front Door Window	10 685
NUT, Front Fender Name	8 147
NUT, Fuel Tank Filler	12 945
NUT, Generator Rotor Shaft	2 280
NUT, Hardtop	13 346
NUT, Headlamp Mounting	2 729
NUT, Headlamp Retaining Ring	2 736
NUT, Headlamp Switch	2 487
NUT, Heater and Defroster	8 857
NUT, Hood Panel Closing	8 024
NUT, Hub Front and Rear	5 813
NUT, Hydraulic Steering Cylinder	6 575
NUT, Ignition Lock	2 198
NUT, Instrument Cluster	9 743
NUT, Instrument Panel Compartment Door	10 262
NUT KIT, A.C. Compressor	9 170
NUT, License Plate	7 800
NUT, Luggage Carrier	12 815
NUT, Luggage Compartment	9 988
NUT, Propeller Shaft Pinion Flange	5 595
NUT, Radiator	1 270
NUT, Radiator Baffle and Shroud	1 276
NUT, Radiator Grille	1 269
NUT, Radiator Grille and Front End Panel	1 267
NUT, Radiator Grille and Front End Ornamentation	1 303
NUT, Radio Antenna	9 647
NUT, Radio Mounting	9 667
NUT, Radio Static Suppression	9 663
NUT, Rear Axle	5 829

NUT, Rear Axle Control Arm	5 383
NUT, Rear Compartment Floor	12 981
NUT, Rear Compartment Lid and End Gate	12 184
NUT, Rear Compartment Lid Lock	12 237
NUT, Rear Spring and Axle	7 529
NUT, Rear Spring and Shock Absorber Anchor Plate	7 516
NUT, Rear View Mirror	10 186
NUT, Rear Window Defogger	9 778
NUT, Rocker Panel Molding	8 309
NUT, Roof	12 952
NUT, Roof Panel	12 812
NUT, Roof Panel	12 810
NUT, Shock Absorber	7 347
NUT, Shock Absorber Anchor	7 395
NUT, Side Marker and Hazard Flasher	2 575
NUT, Spare Wheel Carrier	7 633
NLT, Speedometer to Instrument Panel(Domestic)	9 761
NUT, Stabilizer Link	7 245
NUT, Starter Solenoid	2 104
NUT, Steering Column Attaching	6 760
NUT, Steering Gear Housing	6 832
NUT, Steering Gear Shaft	6 525
NUT, Steering Knuckle Spindle	6 022
NUT, Steering Knuckle Lower Control Arm	6 172
NUT, Steering Pitman Arm	6 861
NUT, Steering Pump	6 655
NUT, Steering Relay & Tie Rod	6 104
NUT, Tail Lamp	2 660
NUT, Transmission Band Adjusting	4 253
NUT, Transmission Control Indicator	4 022
NUT, Transmission Control Rod	4 037
NUT, Transmission Control Rod To Lever	4 037
NUT, Transmission Gearshift Rod	4 037
NUT, Transmission Main Drive Gear Bearing	4 356
NUT, Transmission Throttle Valve	4 275
NUT, Underhood	8 890
NUT, Upper Control Arm Shaft	6 164
NUT, Windshield Wiper Motor Drive	10 151
NUT, Windshield Wiper Access	10 130

O

O-RING, A.C. Compressor Pressure Relief	9 178
OIL, A.C. Maintenance	9 282
ORIFICE, A.C. Expansion Refrigerant	9 213
O RING, A.C. Compressor (Internal parts)(Radial)	9 172A
O RING, A.C. Compressor (Internal Parts)(Axial)	9 172
O RING, A.C. Refrigerant	9 196
O RING KIT, A.C. Compressor	9 170
O RING, Power Brake Booster(Vacuum)	4 924
O RING, Rear Axle Shaft Bearing or Hub	5 822
O RING, Suction Throttling (P.O.A.)	9 198
O RING, Turn Signal Lamp	2 895
ORNAMENT, Hood Panel Ornamentation	8 055
ORNAMENT, Parking, Turn Signal and Cornering Lamp	2 586
ORNAMENT, Wheel Cover Appearance	5 871
OUTLET, Air Distributor	9 262
OUTLET, Engine Coolant	1 153
OVERHAUL KIT, Transmission Overhaul	4 005

P

PACKING, Exhaust Pipe	3 611
PAD, Brake and Clutch Pedal	4 630
PAD, Door	10 587
PAD, Front Seat Back	14 802
PAD, Instrument Panel	14 655
PAD, Steering Column Housing	6 500
PAN, Engine Oil	1 426
PANEL, Air Distributor	9 262
PANEL, Back Window Inner	12 964
PANEL, Body Rear End(Plastic Laminated)	12 986
PANEL, Cowl Top Vent Louver	12 800
PANEL, Door Opening Rocker	12 934
PANEL, Folding Top Front Roof	14 050

ALPHABETICAL INDEX

PANEL, Front Door	10 35 1	PiN, Transmission Reverse Idler Gear	4 435
PANEL, Front Door Trim	14 685	PiN, Transmission Reverse Idler Shaft	4 435
PANEL, Front Fender	8 130	PiN, Transmission Servo & Accumulator	4 228
PANEL, Front Seat Back Trim	11 358	PiN, Transmission Servo & Accumulator	4 229
PANEL, Instrument Panel	10 230	PiN, Transmission Shift Shaft Detent	4 311
PANEL, Panel	8 000	PiN, Transmission Shift Control Cable	4 047
PANEL, Plenum Air	9 789	PiN, Transmission Throttle Valve	4 275
PANEL, Radiator	1 263	PIPE, Air Cleaner Air Intake	3 417
PANEL, Radio Auxiliary Speakers	9 665	PIPE, Air Injection Reactor	3 675
PANEL, Rear Body Lock Pillar	12 942	PIPE, Automatic Choke Control	3 750
PANEL, Rear Compartment	15 222	PIPE, Carburetor and Fuel Meter Fuel Inlet	3 740
PANEL, Rear Compartment Floor	12 981	PIPE, Choke Heater or Air	3 603
PANEL, Rear Compartment Lid and Rear End Panel	12 182	PIPE, Crankcase Ventilation	1 762
PANEL, Rear End	12 966	PIPE, Early Fuel Evaporation	3 145
PANEL, Rear Quarter	15 100	PIPE, Exhaust Manifold Heat	3 647
PANEL, Rear Quarter Side Outer	12 940	PIPE, Fuel Line	3 163
PANEL, Rear Quarter Trim Pad	15 101	PIPE, Heater	8 846
PANEL, Rear Quarter Upper (Above Belt)	14 645	PIPE, Oil Pressure Gage	1 803
PANEL, Roof Panel	12 810	PIPE, Steering Gear Oil Pressure	6 670
PANEL, Roof Trim Headlining	14 640	PIPE, Transmission Case	4 104
PANEL, Shroud and Dash and Vent Duct	2 804	PIPE, Transmission Oil Pan	4 197
PANEL, Tail Lamp	2 680	PIPE, Transmission Oil	4 248
PANEL, Windshield Wiper Access	10 130	PIPE, Transmission Oil Cooler	4 128
PAN KIT, Engine Oil	1 426	PIPE, Transmission Vacuum	4 205
PAN, Transmission Oil	4 195	PISTON, A.C. Compressor (Internal Parts)(Axial)	9 172
PAWL, Door Outside Lock Cylinder	10 551	PISTON, Brake Master Cylinder Secondary	4 653
PAWL KIT, Windshield Washer Pump	10 153	PISTON, Carburetor Power	3 858
PAWL, Transmission Park Lock	4 220	PISTON, Engine	0 629
PAWL, Transmission Parking Brake	4 294	PISTON KIT, Power Brake Booster(Vacuum)	4 922
PAWL, Windshield Wiper Motor Drive	10 151	PISTON KIT, Transmission Clutch	4 166
PEDAL, Accelerator Pedal	3 451	PISTON, Power Brake Booster(Vacuum)	4 922
PEDAL, Brake Pedal	4 625	PISTON, Suction Throttling (P.O.A.)	9 198
PEDAL, Engine Clutch Pedal	0 830	PISTON, Transmission Clutch	4 166
PILLAR, Front Body Hinge Pillar	12 840	PISTON, Transmission Low Servo	4 228
PILLAR, Rear Body Lock Pillar	12 942	PISTON, Transmission Clutch	4 166
PILTER, Engine Fuel	3 890	PISTON, Transmission Servo & Accumulator	4 228
PiN, A.C. Compressor Pressure Relief	9 178	PISTON, Transmission Servo	4 241
PiN, Accelerator Pedal Mounting	3 452	PISTON, Wheel Cylinder	4 668
PiN, Brake Shoe Anchor	5 055	PISTON, Windshield Washer Pump	10 153
PiN, Brake Shoe Hold Down	5 043	PIVOT, Brake Shoe Automatic Adjusting	5 103
PiN, Carburetor and Fuel Meter Float Lever	3 747	PIVOT, Concealed Headlamp Control Opening Cover	2 765
PiN, Clutch Fork Push Rod Adj	0 793	PIVOT, Headlamp Dimmer	2 459
PiN, Clutch Release Lever	0 875	PIVOT KIT, Headlamp Dimmer	2 459
PiN, Concealed Headlamp Control Opening Cover	2 765	PLASTIGAGE, Engine Main Bearing Clearance	0 093
PiN, Distributor Shaft Thrust and Gear	2 379	PLATE, A.C. Compressor (Internal Parts)(Axial)	9 172
PiN, Door Hinge	10 466	PLATE, A.C. Compressor (Internal parts)(Radial)	9 172A
PiN, Door Inside Locking Rod	10 565	PLATE, A.C. Control	9 279
PiN, Engine Cylinder Head	0 293	PLATE, Accelerator Pedal	3 451
PiN, Folding and Hard Top	14 080	PLATE, Air Cleaner Air Intake	3 417
PiN, Folding Top Actuator	14 478	PLATE, Air Distributor	9 262
PiN, Front Door Wedge	10 584	PLATE, Air Distributor	9 786
PiN, Front Door Window Regulator	10 783	PLATE, Automatic Choke Control	3 750
PiN, Fuel Injection Distributor	3 340	PLATE, Brake and Clutch Pedal	4 630
PiN, Fuel Tank Filler	12 945	PLATE, Brake Flange	5 001
PiN, Headlamp Dimmer	2 459	PLATE, Brake Shoe Guide	5 045
PiN, Hood Latch	8 080	PLATE, Bumper	7 836
PiN, Hood Latch Release Cable	8 077	PLATE, Clutch Pedal Pull Back Spring	0 846
PiNION KIT, Transmission Output Shaft or Carrier	4 175	PLATE, Differential Clutch	5 511
PiN, King	6 203	PLATE, Distributor Breaker	2 385
PiN KIT, Brake Shoe Hold Down	5 043	PLATE, Dome and Reading Lamp	11 927
PiN KIT, King	6 203	PLATE, Door Lock	10 571
PiN, Master Cylinder Adjusting	4 662	PLATE, Door Lock Inside Handle Escutcheon(Trim Protector)	10 515
PiN, Oil Pump	1 639	PLATE, Door Window Regulator Handle	10 805
PiN, Plenum Air	9 789	PLATE, Door Window Regulator	10 792
PiN, Rear Spring and Axle	7 529	PLATE, Engine Clutch	0 859
PiN, Roof Panel	12 810	PLATE, Engine Clutch Driven	0 886
PiN, Starter Motor Brush	2 052	PLATE, Engine Clutch Pressure	0 863
PiN, Starter Motor Drive Shift	2 108	PLATE, Floor Pan	12 980
PiN, Steering Column	6 514	PLATE, Folding Top Component	12 170
PiN, Steering Pump	6 608	PLATE, Folding Top Roof Rail	14 090
PiN, Transmission Converter	4 115	PLATI, Front Body Hinge Pillar	12 840
PiN, Transmission Control Valve	4 265	PLATI, Front Door Sill	11 175
PiN, Transmissio. Control	4 008	PLATI, Front Fender and Body Ornamentation	8 132
PiN, Transmission Control Lever	4 008	PLATI, Front Fender Name	8 147
PiN, Transmission Gearshift	4 307	PLATE, Front Seat Back	11 373
PiN, Transmission Governor	4 256	PLATE, Fuel Pump Mounting	3 901
PiN, Transmission Oil Pump	4 226	PLATE, Generator Drive End	2 307
PiN, Transmission Oil Pump	4 203	PLATE, Headlamp Dimmer	2 459
PiN, Transmission Pressure Regulator and Oil Pump	4 216	PLATE, Heater	8 845
PiN, Transmission Rear Servo	4 241	PLATE, Heater	8 849
		PLATE, Heater and Defroster	8 857
		PLATE, Hood Latch	8 083

ALPHABETICAL INDEX

PLATE, Hood Latch	8.080	PLUG, Transmission Control Lever	4.008
PLATE, Hood Panel	8.021	PLUG, Transmission Gearshift Control Hand Lever	4.008
PLATE, Hood Panel Ornamentation	8.055	PLUG, Transmission Mainshaft	4.172
PLATE, Ignition Switch Warning, Lock or Headlamp	2.195	PLUG, Transmission Oil Pump	4.224
PLATE, Instrument Cluster	9.743	PLUG, Transmission Parking Brake	4.294
PLATE, Instrument Panel Harness	2.483	PLUG, Transmission Pressure Regulator and Oil Pump	4.216
PLATE KIT, Differential Clutch	5.511	PLUG, Transmission Shift Shaft Detent	4.311
PLATE KIT, Steering Pump	6.612	PLUG, Wheel Cylinder	4.666
PLATE, Power Brake Booster(Vacuum)	4.922	PLUNGER, Power Brake Booster(Vacuum)	4.918
PLATE, Power Brake Booster	4.910	PLUNGER, Starter Motor Solenoid	2.113
PLATE, Radiator	1.270	PLUNGER, Transmission Vacuum	4.205
PLATE, Radio Antenna	9.647	POCKET, Instrument Panel	14.655
PLATE, Rear Axle Control Arm	5.381	POINTER, Engine Front Cover	0.219
PLATE, Rear Body Lock Pillar	12.942	POINT KIT, Distributor	2.384
PLATE, Rear Compartment Floor	12.981	POLE PIECE, Distributor	2.372
PLATE, Rear Compartment Lid and Rear End Panel	12.182	POLE, Starter Motor Shoe	2.077
PLATE, Rear Spring and Shock Absorber Anchor	7.518	POPPET, Power Brake Booster Valve Body	4.940
PLATE, Rear View Mirror	10.186	POUCH, Catalytic Converter	3.585
PLATE, Roof Panel	12.810	PRINTED CIRCUIT, Instrument Cluster	9.744
PLATE, Seat Belt	14.875	PROTECTOR, Door Edge	10.352
PLATE, Stabilizer Link	7.245	PROTECTOR, Door Lock	10.569
PLATE, Steering Column	6.518	PROTECTOR, Folding Top	14.340
PLATE, Steering Column	6.514	PULLEY, A.C. Compressor Drive	9.180
PLATE, Steering Column Housing	6.500	PULLEY, Air Injection Reactor Pump	3.650
PLATE, Steering Pump	6.609	PULLEY, Engine Crankshaft	0.659
PLATE, Steering Pump	6.612	PULLEY, Fan and Coolant Pump	1.062
PLATE, Transmission Clutch	4.163	PULLEY, Generator	2.274
PLATE, Transmission Clutch(Low & Reverse)	4.180	PULLEY, Parking Brake	4.790
PLATE, Transmission Control Valve	4.265	PULLEY, Steering Pump	6.655
PLATE, Transmission Clutch Drive and Driven	4.163	PUMP, Air Injection Reactor Pump	3.660
PLATE, Transmission Control Indicator	4.020	PUMP, Carburetor (with Leather and Shaft)	3.838
PLATE, Transmission Control Selector	4.020	PUMP, Engine Fuel Pump	3.900
PLATE, Transmission Control Lever Trim	4.017	PUMP, Engine Oil Pump	1.652
PLATE, Transmission Control Lever	4.015	PUMP KIT, A.C. Compressor (Internal Parts)(Axial)	9.172
PLATE, Transmission Control Lever Trim	4.017	PUMP KIT, Engine Coolant Pump	1.069
PLATE, Transmission Counter Gear	4.423	PUMP, Power Steering	6.605
PLATE, Transmission Control Lever	4.015	PUMP, Transmission Oil Supply	4.200
PLATE, Transmission Gearshift Hand Lever (Floor Mounted)	4.017	PUMP, Windshield Washer Pump	10.153
PLATE, Transmission Indicator Dial	4.020	PURGE VALVE, Fuel Tank Evaporator Control(Engine End)	3.130
PLATE, Transmission Reverse Idler Gear Thrust	4.437		
PLATE, Transmission Rear Servo	4.241	R	
PLATE, Transmission Synchronizer	4.384	RACE, A.C. Compressor (Internal Parts)(Axial)	9.172
PLATE, Transmission Shift Control Cable	4.047	RACE, Steering Column	6.521
PLATE, Turn Signal Lamp	2.895	RACE, Steering Gear Thrust	6.835
PLATE, Windshield Wiper Motor	10.152	RACE, Transmission Clutch(Low & Reverse)	4.180
PLENUM, Rear Quarter Side Inner	12.941	RACE, Transmission Clutch	4.168
PLIERS, Outside Air	9.787	RACK CAGE, Front Seat Adjuster	11.561
PLUG, Air Injection Reactor and Exhaust Gas Recirculation	3.680	RACK, Ignition Switch Warning, Lock or Headlamp	2.195
PLUG, Body Center	12.491	RACK KIT, Ignition Switch Warning, Lock or Headlamp	2.195
PLUG, Carburetor Air Valve	3.757	RADIATOR, Engine Cooling	1.219
PLUG, Catalytic Converter	3.685	RAIL, Door Window Regulator	10.792
PLUG, Concealed Headlamp Opening Cover	2.770	RECEIVER, A.C. Refrigerant	9.195
PLUG, Coolant Temperature (Engine Unit)	1.150	RECEIVER, Door, Quarter Arm Rest or Front Seat Back	12.045
PLUG, Door	10.587	RECEIVER, Radio	9.650
PLUG, Door	10.778	REFLECTOR, Cigarette Lighter	9.709
PLUG, Door Ventilator	10.661	REFLECTOR, Dome and Reading Lamp	11.927
PLUG, Door Weatherstrip	10.694	REGULATOR, Door Ventilator	10.661
PLUG, Engine Block	0.034	REGULATOR, Front Door Window Regulat... ..	10.783
PLUG, Engine Camshaft Bearing	0.553	REGULATOR, Voltage	2.500
PLUG, Engine Clutch Pedal	0.829	REINFORCEMENT, Battery Hold Down	2.335
PLUG, Engine Cylinder Head	0.293	REINFORCEMENT, Brake Pedal	4.634
PLUG, Engine Fuel Intake Manifold	3.265	REINFORCEMENT, Bumper Face	7.831
PLUG, Engine Tune-up	2.270	REINFORCEMENT, Bumper Guard	7.828
PLUG, Floor Pan	12.980	REINFORCEMENT, Differential Carrier Mounting	5.500
PLUG, Hood Latch Release	8.075	REINFORCEMENT, Door Electric and Vacuum Locks	10.485
PLUG, Hydraulic Steering Cylinder Piston Rod	6.581	REINFORCEMENT, Door Window	10.777
PLUG, Hydraulic Steering Adapter	6.560	REINFORCEMENT, Energy Absorber Bar Guide	7.829
PLUG, Oil Distribution	1.531	REINFORCEMENT, Engine Valve Rocker Arm Cover	0.413
PLUG, Oil Pan Drain	1.453	REINFORCEMENT, Fan and Coolant Pump	1.062
PLUG, Oil Pressure Regulator	1.609	REINFORCEMENT, Fender Wheelhouse	8.155
PLUG, Rear Axle or Final Drive Filler and Drain	5.400	REINFORCEMENT, Floor Console	10.240
PLUG, Rear Compartment Floor	12.981		
PLUG, Seat Belt	14.875		
PLUG, Steering Connecting Rod End	6.881		
PLUG, Steering King Pin Dust	6.223		
PLUG, Tail Lamp	2.694		
PLUG, Tail Lamp Mounting	2.688		
PLUG, Transmission Case	4.105		
PLUG, Transmission Case	4.105		
PLUG, Transmission Control Valve	4.265		

ALPHABETICAL INDEX

REINFORCEMENT, Frame Front Cross Member	7.039	RETAINER, Carburetor and Fuel Injection Choke	3.752
REINFORCEMENT, Front Fender	8.141	RETAINER, Carburetor Pump Outlet Valve	3.325
REINFORCEMENT, Front Body Hinge Pillar	12.840	RETAINER, Cigarette Lighter	9.709
REINFORCEMENT, Hood Latch	8.080	RETAINER, Clutch and Brake Pedal Shaft	0.837
REINFORCEMENT, Hydraulic Steering Cylinder	6.575	RETAINER, Concealed Headlamp Control Drive	2.760
REINFORCEMENT, Instrument Panel	10.230	RETAINER, Cowl Ledge	12.801
REINFORCEMENT, Radiator	1.263	RETAINER, Cruise Control	3.885
REINFORCEMENT, Radiator to Grille	1.287	RETAINER, Cylinder Poppet	4.942
REINFORCEMENT, Radio Antenna	9.647	RETAINER, Differential Clutch	5.511
REINFORCEMENT, Rear Compartment Floor	12.981	RETAINER, Distributor	2.372
REINFORCEMENT, Rear Compartment Lid and End Gate	12.184	RETAINER, Distributor	2.364
REINFORCEMENT, Roof Panel	12.810	RETAINER, Door Lock Cylinder	10.553
REINFORCEMENT, Seat Belt	14.875	RETAINER, Door Outside Lock Cylinder	10.551
REINFORCEMENT, Shroud and Dash and Vent Duct	12.804	RETAINER, Door Window Regulator Handle	10.806
REINFORCEMENT, Steering Column	6.521	RETAINER, Engine Piston Pin	0.639
REINFORCEMENT, Tail Lamp Mounting	2.662	RETAINER, Exhaust Muffler	3.704
REINFORCEMENT, Windshield Wiper Transmission	10.160	RETAINER, Exhaust Pipe	3.616
REINFORCEMENT, Windshield Wiper Access	10.130	RETAINER, Fender Wheelhouse	8.155
REINFORCEMENT, Windshield Wiper Motor	10.152	RETAINER, Floor Pan	12.980
RELAY, A.C. Electrical	9.277	RETAINER, Front Door Trim Binding Strip	14.683
RELAY, Automatic Choke Control	3.750	RETAINER, Front Fender Molding	8.133
RELAY, Body Harness	13.095	RETAINER, Front Fender Name	8.147
RELAY, Carburetor Air Cleaner Controls	3.415	RETAINER, Front Fender	8.141
RELAY, Carburetor Idle	3.440	RETAINER, Front Seat Bottom Hinge	11.375
RELAY, Concealed Headlamp Motor	2.755	RETAINER, Front Wheel Hub Grease	6.330
RELAY, Emission Control System	3.670	RETAINER, Fuel Pipe	3.162
RELAY, Engine and Transmission Controlled Spark	2.408	RETAINER, Fuel Tank Evaporator Control(Engine End)	3.130
RELAY, Engine Fuel Pump	3.900	RETAINER, Headlamp Control	2.775
RELAY, Horn	2.815	RETAINER, Hood Latch	8.085
RELAY, Ignition Switch Warning, Lock or Headlamp	2.195	RETAINER, Hood Latch Release Cable	8.077
RELAY, Radio Antenna	9.647	RETAINER, Hood Panel	8.021
RELAY, Rear Window Defogger	9.778	RETAINER, Horn Button Blowing	2.819
RELAY, Transmission Control Spark	4.075	RETAINER, Horn Button	2.820
RELAY, Transmission Smog Control	4.075	RETAINER, Ignition Switch Warning, Lock or Headlamp	2.195
RELAY, Windshield Wiper Motor	10.150	RETAINER, Instrument Panel	10.230
REPAIR KIT, carburetor (rochester)MAJOR	3.725A	RETAINER, Instrument Panel Trim	10.252
REPAIR KIT, Brake Master Cylinder	4.649	RETAINER, Instrument Panel Compartment Door Lock	10.267
REPAIR KIT, Carburetor (Rochester) Minor	3.725B	RETAINER, Instrument Panel Ash Tray	12.009
REPAIR KIT, Carburetor (Holly) Minor	3.725G	RETAINER, Instrument Cluster Lens	9.747
REPAIR KIT, Carburetor (holly) major	3.725F	RETAINER, Instrument Cluster	9.743
REPAIR KIT, Catalytic Converter	3.685	RETAINER, Luggage Carrier	12.815
REPAIR KIT, Chassis Electrical	2.530	RETAINER, Master Cylinder Adjusting	4.662
REPAIR KIT, Power Brake Booster(Vacuum)	4.898	RETAINER, Oil Pressure Regulator	1.609
REPAIR KIT, Propeller Shaft Universal Joint	5.548	RETAINER, Oil Pump	1.639
REPAIR KIT, Rear Axle Universal Joint	5.425	RETAINER, Outside Air	9.787
REPAIR KIT, Refrigerant Flow Sight	9.202	RETAINER, Parking Brake Lever	5.158
REPAIR KIT, Steering Gear Hydraulic Valve	6.551	RETAINER, Parking Brake Lever Housing	4.612
REPAIR KIT, Wheel Brake	4.665	RETAINER, Parking Brake Cable	4.765
REPAIR KIT, Wheel Brake	4.667	RETAINER, Parking Brake Cable	4.785
RESERVOIR, Engine Coolant Recovery	1.240	RETAINER, Power Brake Booster	4.910
RESERVOIR KIT, Steering Pump	6.635	RETAINER, Power Brake Booster(Vacuum)	4.922
RESERVOIR, Steering Pump	6.635	RETAINER, Power Brake Booster(Hydraulic)	4.810
RESERVOIR, Windshield Washer	10.154	RETAINER, Power Brake Booster	4.913
RESISTOR, A.C. Electric Control	9.275	RETAINER, Propeller Shaft Universal Joint Trunion	5.560
RESISTOR, Distributor	2.383	RETAINER, Radiator	1.270
RESISTOR, Generator	2.319	RETAINER, Radio Mounting	9.667
RESISTOR, Heater Blower Motor	8.855	RETAINER, Rear Axle Control Arm	5.381
RESISTOR, Ignition Coil	2.173	RETAINER, Rear Axle U Joint	5.428
RESTRICTOR, Fuel Line	3.163	RETAINER, Rear Compartment Floor	12.981
RETAINER, auto Jack	8.820	RETAINER, Rear Compartment Lid or Tailgate Decoration	12.183
RETAINER, A.C. Compressor Shaft	9.175	RETAINER, Rear Compartment	12.249
RETAINER, A.C. Compressor (Internal Parts)(Axial)	9.172	RETAINER, Rear Hatch Window	12.180
RETAINER, Accelerator Pedal Lever	3.454	RETAINER, Rear Hatch Window	12.187
RETAINER, Air Duct	9.782	RETAINER, Rear Quarter	15.100
RETAINER, Air Outlet	9.264	RETAINER, Rear Spring	7.545
RETAINER, Automatic Choke Control	3.750	RETAINER, Rear Spring and Axle	7.529
RETAINER, Battery Hold Down	2.335	RETAINER, Rear View Mirror	10.186
RETAINER, Brake Pedal	4.634	RETAINER, Rocker Panel Molding	8.309
RETAINER, Bumper	7.832	RETAINER, Roof Panel	12.810
RETAINER, Bumper to Body	7.833	RETAINER, Seat Belt	14.875
RETAINER, Bumper Energy Absorber	7.840	RETAINER, Shock Absorber	7.389
RETAINER, Bumper Face	7.831	RETAINER, Spark Plug Wire	2.251
RETAINER, Bumper Mounting	7.865	RETAINER, Speedometer Driven Gear	4.338
RETAINER, Bumper Mounting	7.874	RETAINER, Stabilizer Link	7.245
RETAINER, Carburetor Air Cleaner	3.410	RETAINER, Stabilizer Shaft	7.242
RETAINER, Carburetor Air Cleaner Controls	3.415	RETAINER, Steering Column	6.514
RETAINER, Carburetor Throttle Control	3.425	RETAINER, Steering Column Housing	6.500
RETAINER, Carburetor Pump	3.841	RETAINER, Steering Column	6.521
		RETAINER, Steering Gear Shaft	6.525

ALPHABETICAL INDEX

RETAINER, Steering Gear Hydraulic Valve	6.552	RING, Transmission Governor	4.256
RETAINER, Steering Knuckle Lower Control Arm	6.170	RING, Transmission Housing	4.162
RETAINER, Steering Knuckle Upper Control Arm	6.163	RING, Transmission Input and Turbine Shaft	4.123
RETAINER, Steering Wheel	6.515	RING, Transmission Low Servo	4.228
RETAINER, Tail Lamp	2.660	RING, Transmission Mainshaft	4.172
RETAINER, Transmission Clutch	4.164	RING, Transmission Main Drive Gear Bearing Retainer	4.376
RETAINER, Transmission Parking Brake	4.290	RING, Transmission Oil Pump	4.226
RETAINER, Transmission	4.115	RING, Transmission Oil Pump	4.224
RETAINER, Transmission Oil Pump	4.226	RING, Transmission Output Shaft or Carrier	4.176
RETAINER, Transmission Vacuum	4.205	RING, Transmission Output Shaft or Carrier	4.175
RETAINER, Transmission Clutch	4.167	RING, Transmission Pressure Regulator and Oil Pump	4.216
RETAINER, Transmission Throttle Valve	4.275	RING, Transmission Reverse Servo	4.241
RETAINER, Transmission Governor	4.256	RING, Transmission Rear Internal Gear	4.187
RETAINER, Transmission Rear Main Shaft	4.317	RING, Transmission Rear Servo	4.242
RETAINER, Transmission Input and Turbine Shaft	4.123	RING, Transmission Rear Bearing and Mainshaft	4.412
RETAINER, Transmission Main Drive Gear Bearing	4.356	RING, Transmission Reverse Idler Gear	4.435
RETAINER, Transmission Control Lock Cable	4.070	RING, Transmission Servo & Accumulator	4.229
RETAINER, Transmission Control Lock Cable	4.070	RING, Transmission Servo & Accumulator	4.228
RETAINER, Transmission Synchronizing	4.383	RING, Transmission Shift Control Shaft	4.027
RETAINER, Transmission Control Indicator	4.022	RING, Transmission Shift Control Lever	4.027
RETAINER, Transmission Control Lock Cable	4.070	RING, Transmission Synchronizer	4.384
RETAINER, Transmission Control Lever	4.015	RING, Transmission Synchronizing	4.384
RETAINER, Transmission Shift Control Shaft	4.027	RING, Transmission Synchronizer	4.383
RETAINER, Transmission Main Drive Gear Bearing	4.356	RING, Transmission Synchronizing	4.383
RETAINER, Transmission Control Indicator	4.020	RING, Universal Joint Bearing and Flange	5.586
RETAINER, Transmission Gearshift Shaft	4.027	RING, Wheel Cover Appearance	5.871
RETAINER, Transmission Converter	4.115	RING, Wheel Cylinder	4.666
RETAINER, Transmission Control Switch	4.060	RING, Windshield Washer Pump	10.153
RETAINER, Transmission Control Rod To Lever	4.037	RING, Windshield Wiper Motor Drive	10.151
RETAINER, Transmission Clutch(Low & Reverse)	4.180	RIVET, Bumper Energy Absorber	7.840
RETAINER, Transmission Servo & Accumulator	4.233	RIVET, Door Ventilator	10.669
RETAINER, Transmission Clutch	4.169	RIVET, Rear Compartment Floor	12.981
RETAINER, Transmission Output Shaft or Carrier	4.176	RIVET, Transmission Pressure Regulator and Oil Pump	4.216
RETAINER, Transmission Low Servo	4.228	RIVET, Windshield Wiper Access	10.130
RETAINER, Transmission Control Lock Cable	4.070	ROD, Accelerator Pedal	3.431
RETAINER, Transmission Servo & Accumulator	4.228	ROD, Back Up Lamp	2.698
RETAINER, Transmission Rear Servo	4.246	ROD, Brake Pedal Push	4.658
RETAINER, Universal Joint Bearing and Flange	5.586	ROD, Bumper	7.836
RETAINER, Vacuum Power Brake Cylinder Relay Valve	4.935	ROD, Bumper Mounting	7.865
RETAINER, Wheel Cover Appearance	5.871	ROD, Carburetor	3.755
RETAINER, Windshield Reveal Molding	10.093	ROD, Carburetor and Fuel Injection Choke	3.752
RETAINER, Windshield Reveal	10.096	ROD, Carburetor Air Cleaner Controls	3.415
RETAINER, Windshield Wiper Transmission	10.160	ROD, Carburetor Metering	3.806
RING, A.C. Compressor Shaft	9.175	ROD, Carburetor Pump Connector	3.843
RING, A.C. Compressor (Internal Parts)(Axial)	9.172	ROD, Carburetor Throttle	3.762
RING, A.C. Compressor Pulley	9.181	ROD, Clutch Fork Release	0.787
RING, A.C. Compressor (Internal parts)(Radial)	9.172A	ROD, Concealed Headlamp Control Opening Cover	2.765
RING, A.C. Refrigerant	9.195	ROD, Cruise Control	3.885
RING, Carburetor and Fuel Meter Fuel Inlet	3.740	ROD, Door Inside Locking Rod	10.559
RING, Differential Bearing Adjusting	5.537	ROD, Door Inside Locking	10.563
RING, Door Outside Handle	10.529	ROD, Engine Clutch Pedal Control	0.854
RING, Exhaust Pipe	3.611	ROD, Engine Piston	0.603
RING, Front Seat Back	11.373	ROD, Engine Valve Push	0.426
RING GEAR, Transmission Output Shaft or Carrier	4.175	ROD, Folding Top	14.340
RING, Headlamp	2.726	ROD, Fuel Pump	3.935
RING, Headlamp Retaining	2.731	ROD, Headlamp Dimmer	2.459
RING, Horn Button Blowing	2.819	ROD, Headlamp Switch	2.486
RING, Hydraulic Steering Cylinder Piston Rod	6.581	ROD, Ignition Switch Warning, Lock or Headlamp	2.195
RING, King Pin Oil	6.225	ROD KIT, Radio Antenna	9.647
RING KIT, Engine Piston	0.643	ROD, Outside Air	9.787
RING KIT, Steering Pump	6.610	ROD, Power Brake Booster(Vacuum)	4.924
RING KIT, Transmission Overhaul	4.005	ROD, Radiator to Grille	1.287
RING KIT, Transmission Rear Bearing and Mainshaft	4.412	ROD, Radiator Support Mounting	1.274
RING, Rear Axle Shaft Bearing	5.816	ROD, Radio Antenna	9.647
RING, Rear Axle U Joint	5.428	ROD, Rear Axle Tie	5.415
RING, Rear Compartment Floor	12.981	ROD, Rear Hatch Window	12.187
RING, Speedometer Driven Gear	4.338	ROD, Roof Panel	12.810
RING, Starter Motor Thrust	2.063	ROD, Steering Column	6.514
RING, Steering Pump	6.609	ROD, Steering Column Housing	6.500
RING, Steering Pump Drive Shaft Outer Bearing Retainer	6.616	ROD, Steering Relay	6.870
RING, Transmission Clutch	4.164	ROD, Throttle Control	3.430
RING, Transmission Clutch	4.168	ROD, Tie Rod	6.233
RING, Transmission Clutch	4.167	ROD, Transmission Control	4.035
RING, Transmission Clutch	4.163	ROD, Transmission Control Lever	4.006
RING, Transmission Clutch	4.169	ROD, Transmission Control	4.035
RING, Transmission Clutch(Low & Reverse)	4.180	ROD, Transmission Gearshift Control (Hand)	4.006
RING, Transmission Gearshift Shaft	4.027	ROD, Transmission Safety Starting Switch	4.054
		ROD, Transmission Servo & Accumulator	4.228
		ROD, Transmission Throttle Valve	4.050

WAREHOUSING DISTRIBUTION DIVISION OF GENERAL MOTORS CORPORATION—CHEVROLET—14A

ALPHABETICAL INDEX

ROD, Windshield Wiper Control	10.163
ROD, Windshield Wiper Blade	10.147
ROLLER, Air Distributor	9.786
ROLLER, Door Window	10.728
ROLLER, Front Door Window Regulator	10.783
ROLLER KIT, Transmission Clutch(Low & Reverse)	4.180
ROLLER, Transmission Planet Carrier	4.176
ROLLER, Transmission Manual Detent	4.293
ROLLER, Transmission Mainshaft	4.352
ROLLER, Transmission Clutch	4.167
ROLLER, Transmission Countershaft Gear	4.422
ROLLER, Transmission Mainshaft Front Pilot to Main Drive Gear	4.352
ROTATOR, Engine Valve Spring	0.309
ROTOR, A.C. Compressor (Internal parts)(Radial)	9.172A
ROTOR, Distributor	2.382
ROTOR, Generator	2.279
RUN, Front Door Window Glass	10.701

S

SASH, Door Ventilator Glass (With Tee Shaft)	10.655
SASH, Front Door Window	10.685
SCREEN, A.C. Compressor (Internal Parts)(Axial)	9.172
SCREEN, A.C. Refrigerant	9.195
SCREEN, Carburetor and Fuel Meter Fuel Inlet ...	3.740
SCREEN, Carburetor Air Cleaner	3.410
SCREEN, Instrument Panel Opening	10.256
SCREEN KIT, Transmission Oil Pan	4.197
SCREEN, Oil Pump	1.656
SCREEN, Rear Quarter Side Inner	12.941
SCREEN, Transmission Throttle Valve	4.265
SCREEN, Transmission Oil	4.248
SCREEN, Transmission Oil Pump	4.224
SCREEN, Transmission Oil Pump Suction	4.197
SCREW, A.C. Compressor Drive	9.177
SCREW, A.C. Compressor	9.180
SCREW, A.C. Compressor Drive	9.172
SCREW, A.C. Compressor (Internal Parts)(Axial) ..	9.172
SCREW, A.C. Condenser	9.190
SCREW, A.C. Evaporator Expansion Valve	9.214
SCREW, A.C. Refrigerant	9.195
SCREW, Air Distributor	9.262
SCREW, Automatic Choke Control	3.750
SCREW, Back Up Lamp	2.698
SCREW, Back Window Reveal Molding	11.209
SCREW, Battery Cable	2.343
SCREW, Battery Hold Down	2.334
SCREW, Brake Cylinder and Pedal Shaft	4.648
SCREW, Brake Main Cylinder	4.656
SCREW, Brake Shoe Adjusting	5.110
SCREW, Carburetor	3.755
SCREW, Carburetor (with Leather and Shaft)	3.838
SCREW, Carburetor and Fuel Injection Fast Idle Cam	3.767
SCREW, Carburetor and Fuel Injection Choke	3.752
SCREW, Carburetor and Fuel Injection Fast Idle ..	3.766
SCREW, Carburetor and Fuel Injection Idle Adjusting	3.822
SCREW, Carburetor and Fuel Meter Intake (with Seat and Gasket)	3.814
SCREW, Carburetor and Fuel Meter Fuel Inlet	3.740
SCREW, Carburetor Air	3.730
SCREW, Carburetor Body	3.741
SCREW, Carburetor Choke	3.751
SCREW, Carburetor Pump	3.841
SCREW, Carburetor Throttle Valve and Throttle Lever Adjusting	3.761
SCREW, Concealed Headlamp Control Drive	2.760
SCREW, Concealed Headlamp Control Opening Cover	2.765
SCREW, Differential Carrier	5.506
SCREW, Distributor	2.393
SCREW, Distributor	2.383
SCREW, Distributor	2.372
SCREW, Distributor Cap Retaining	2.368
SCREW, Door Handle Push Button	12.195
SCREW, Door Lock	10.474
SCREW, Door Window Regulator	10.792
SCREW, Emission Control System	3.671
SCREW, Engine Valve Adjusting	0.429

SCREW, Flywheel	0.679
SCREW, Folding and Hard Top	14.080
SCREW, Folding Top	14.340
SCREW, Front Body Hinge Pillar	12.840
SCREW, Front Fender	8.143
SCREW, Front Fender Name	8.147
SCREW, Front Seat Bottom Hinge	11.375
SCREW, Fuel or Air Meter	3.314
SCREW, Fuel Gage to Tank	3.112
SCREW, Fuel Meter	3.322
SCREW, Fuel Pump Mounting	3.901
SCREW, Fuel Tank Evaporator Control(Engine End)	3.130
SCREW, Fuel Tank Filler	3.028
SCREW, Fuel Tank Filler	3.003
SCREW, Generator	2.319
SCREW, Generator Brush	2.291
SCREW, Generator Drive End	2.307
SCREW, Generator Mounting	2.277
SCREW, Hardtop	13.346
SCREW, Headlamp Control	2.775
SCREW, Headlamp Mounting	2.729
SCREW, Headlamp Retaining Ring	2.736
SCREW, Hood Latch	8.080
SCREW, Horn Button Blowing	2.819
SCREW, Ignition Coil Mounting	2.183
SCREW, Ignition Switch	2.188
SCREW, Ignition Switch Warning, Lock or Headlamp	2.195
SCREW, Instrument Cluster	9.743
SCREW, Instrument Panel Trim	10.252
SCREW, Instrument Panel Compartment Door	10.262
SCREW, License Plate	7.800
SCREW, Luggage Carrier	12.815
SCREW, Oil Pan	1.428
SCREW, Oil Pan Drain	1.453
SCREW, Pinion Shaft Lock	5.518
SCREW, Radiator	1.270
SCREW, Radiator Baffle and Shroud	1.276
SCREW, Radio Static Suppression	9.663
SCREW, Rear Axle or Final Drive Filler and Drain	5.400
SCREW, Rear Axle Housing	5.398
SCREW, Rear Compartment Lid Lock	12.237
SCREW, Rear End Belt or Panel	12.121
SCREW, Rear License Lamp	2.708
SCREW, Rear View Mirror	10.186
SCREW, Rocker Panel Molding	8.309
SCREW, Roof	12.952
SCREW, Roof Drip	12.075
SCREW, Roof Panel	12.810
SCREW, Roof Trim Headlining	14.640
SCREW, Seat Back Locking	11.390
SCREW, Stabilizer Shaft	7.242
SCREW, Starter Motor	2.042
SCREW, Starter Motor Shoe	2.077
SCREW, Steering Column	6.514
SCREW, Steering Column Housing	6.500
SCREW, Steering Column Attaching	6.760
SCREW, Steering Column	6.518
SCREW, Steering Gear Ball Return Guide	6.843
SCREW, Steering Gear Shaft	6.525
SCREW, Suction Throttling (P.O.A.)	9.198
SCREW, Transmission Control	4.012
SCREW, Transmission Control Lever	4.012
SCREW, Transmission Front Servo	4.226
SCREW, Transmission Oil Pan	4.196
SCREW, Transmission Oil	4.195
SCREW, Transmission Oil Pump	4.203
SCREW, Transmission Oil Pump	4.226
SCREW, Turn Signal Lamp	2.895
SCREW, Turn Signal Switch	2.906
SCREW, Voltage	2.500
SCREW, Wheel Cover Appearance	5.871
SCREW, Wheel Cylinder	4.668
SCREW, Windshield Upper and Lower	12.807
SCREW, Windshield Washer Pump	10.153
SCREW, Windshield Wiper Motor	10.150
SEAL & CLAMP KIT, Steering Gear Hydraulic Valve	6.551
SEAL, A.C. Compressor Shaft	9.175
SEAL, A.C. Compressor (Internal parts)(Radial) ...	9.172A
SEAL, A.C. Compressor	9.226
SEAL, A.C. Evaporator Expansion Valve	9.214

ALPHABETICAL INDEX

SEAL, A.C. Evaporator	9.211	SEAL, Steering Gear Pitman Shaft	6.855
SEAL, Accelerator Cable	3.469	SEAL, Steering Gear Repair	6.507
SEAL, Air Cleaner to Carburetor Mounting	3.406	SEAL, Steering Gear Shaft	6.525
SEAL, Air Cleaner Air Intake	3.417	SEAL, Steering Idler	6.898
SEAL, Air Distributor	9.786	SEAL, Steering Knuckle Upper and Lower	
SEAL, Air Distributor	9.262	Control Arm	6.166
SEAL, Air Outlet	9.260	SEAL, Steering Pump	6.635
SEALANT, Engine Coolant Outlet	1.154	SEAL, Steering Pump	6.609
SEALANT, Engine Valve Rocker Arm Cover	0.423	SEAL, Steering Pump Drive Shaft	6.617
SEALANT, Manifold to Cylinder Head	3.270	SEAL, Steering Tie Rod	6.242
SEAL, Brake Cylinder and Pedal Shaft	4.648	SEAL, Suction Throttling (P.O.A.)	9.198
SEAL, Bumper to Body	7.833	SEAL, Transmission	4.115
SEALBEAM, Headlamp	2.727	SEAL, Transmission Case	4.103
SEAL, Carburetor and Fuel Injection Choke	3.752	SEAL, Transmission Converter	4.115
SEAL, Differential Drive Pinion	5.469	SEAL, Transmission Control Lever	4.015
SEAL, Distributor and Fuel Injector	2.363	SEAL, Transmission Control Lever Trim	4.017
SEAL, Distributor Drive Shaft	2.375	SEAL, Transmission Control Lever	4.015
SEAL, Door Outside Handle	10.529	SEAL, Transmission Detent Control	4.050
SEAL, Door Window Regulator	10.792	SEAL, Transmission Extension	4.318
SEAL, Engine Clutch Lever & Shaft	0.851	SEAL, Transmission Front Servo	4.226
SEAL, Engine Clutch Pedal	0.829	SEAL, Transmission Gearshift Shaft	4.027
SEAL, Engine Crankshaft Front	0.213	SEAL, Transmission Gearshift	4.107
SEAL, Engine Rear Main Bearing	0.137	SEAL, Transmission Governor	4.256
SEAL, Engine Valve	0.308	SEAL, Transmission Hand Lever (Floor Mounted)	4.015
SEAL, Folding Top Motor and Pump	14.482	SEAL, Transmission Internal Selector Shaft	4.313
SEAL, Front Door	10.470	SEAL, Transmission Internal Shift	4.302
SEAL, Front Door Wedge	10.584	SEAL, Transmission Input and Turbine Shaft	4.123
SEAL, Front Door Window Glass Channel (Outer		SEAL, Transmission Main Drive Gear Bearing	4.354
& Inner)	10.710	SEAL, Transmission Manual Shaft	4.282
SEAL, Front Fender	8.154	SEAL, Transmission Oil Pan	4.197
SEAL, Front Wheel Hub Bearing	6.326	SEAL, Transmission Oil Pump	4.226
SEAL, Fuel Meter	3.322	SEAL, Transmission Oil Filler	4.133
SEAL, Fuel Tank Filler Neck	3.008	SEAL, Transmission Oil Pump	4.203
SEAL, Generator Slip Ring End Frame	2.298	SEAL, Transmission Oil Filler	4.133
SEAL, Headlamp Control	2.775	SEAL, Transmission Output Shaft or Carrier	4.176
SEAL, Heater	8.845	SEAL, Transmission Park Lock	4.220
SEAL, Heater Core	8.854	SEAL, Transmission Rear Servo	4.242
SEAL, Hood Panel Ornamentation	8.055	SEAL, Transmission Rear Bearing Retainer	4.318
SEAL, Hydraulic Steering Cylinder Piston Rod	6.581	SEAL, Transmission Rear Main Bearing	4.318
SEAL, Ignition Coil Mounting	2.183	SEAL, Transmission Servo & Accumulator	4.229
SEAL, Instrument Cluster	9.749	SEAL, Transmission Servo	4.212
SEAL, Instrument Panel	10.230	SEAL, Transmission Servo & Accumulator	4.227
SEAL KIT, A.C. Compressor	9.170	SEAL, Transmission Shift Control Shaft	4.027
SEAL KIT, A.C. Compressor Shaft	9.175	SEAL, Transmission Sclenoid	4.122
SEAL KIT, Engine Rear Main Bearing	0.137	SEAL, Transmission Throttle Valve	4.278
SEAL KIT, Engine Valve	0.308	SEAL, Transmission Throttle Valve	4.275
SEAL KIT, Rear Axle Shift Bearing or Hub	5.822	SEAL, Transmission Vacuum	4.205
SEAL KIT, Steering Pump	6.609	SEAL, Wheel Brake	4.667
SEAL KIT, Transmission Clutch	4.166	SEAL, Wiring and Pipes	9.775
SEAL KIT, Transmission Servo & Accumulator	4.229	SEAT, A.C. Compressor (Internal Parts)(Axial)	9.172
SEAL KIT, Transmission Oil Pump	4.226	SEAT, Engine Clutch Lever & Shaft	0.851
SEAL KIT, Transmission Oil Pump	4.203	SEAT, Folding Top Compartment Lid	12.242
SEAL KIT, Transmission Clutch	4.166	SEAT, Hood Latch	8.085
SEAL, Lamp Monitor	2.584	SEAT, Hydraulic Steering Adapter	6.560
SEAL, Oil Pan	1.429	SEAT, Hydraulic Steering Cylinder Piston Rod	6.581
SEAL, Parking Brake Cable	4.784	SEAT, Intake Manifold Vacuum	3.278
SEAL, Parking Brake Lever Housing	4.612	SEAT, Rear Compartment Lid Lock	12.237
SEAL, Power Brake Booster	4.910	SEAT, Steering Column	6.521
SEAL, Power Brake Booster(Vacuum)	4.918	SEAT, Steering Connecting Rod	6.874
SEAL, Power Brake Booster	4.845	SEAT, Steering Gear Oil Pressure Hose	6.673
SEAL, Power Brake Booster(Vacuum)	4.924	SEAT, Transmission Clutch	4.164
SEAL, Propeller Shaft Universal Joint Trunnion	5.560	SEAT, Transmission Pressure Regulator and Oil	
SEAL, Radiator Support Mounting	1.274	Pump	4.216
SEAL, Rear Axle Shaft Bearing or Hub	5.822	SEAT, Transmission Servo & Accumulator	4.233
SEAL, Rear Axle U Joint	5.430	SECTOR, Ignition Switch Warning, Lock or	
SEAL, Rear Compartment Floor	12.981	Headlamp	2.195
SEAL, Rear Compartment	12.169	SECTOR KIT, Ignition Switch Warning, Lock or	
SEAL, Rear Compartment Lid and Rear End		Headlamp	2.195
Panel	12.182	SENDER, Coolant Temperature (Engine Unit)	1.150
SEAL, Rear Window Defogger	9.778	SENDER, Oil Pressure or Temperature	1.800
SEAL, Roof Panel	12.810	SENSOR, Carburetor Air Cleaner Controls	3.415
SEAL RING, A.C. Evaporator Expansion Valve	9.214	SENSOR, Coolant Temperature (Engine Unit)	1.150
SEAL RING, A.C. Refrigerant (All Metal)	9.220	SENSOR, Emission Control Sensors	3.682
SEAL RING, A.C. Refrigerant	9.196	SENSOR, Oil Pressure or Temperature	1.800
SEAL RING KIT, A.C. Refrigerant	9.196	SENSOR, Speedometer to Instrument	
SEAL RING, Refrigerant Flow Sight	9.202	Panel(Domestic)	9.761
SEAL, Shroud and Dash and Vent Duct	12.804	SEPARATOR, Evaporation Emission System(Fuel	
SEAL, Speedometer Driven Gear	4.338	Tank End)	3.120
SEAL, Steering Column	6.758	SERVO, Cruise Control	3.885
SEAL, Steering Column	6.519	SHACKLE KIT, Rear Spring	7.523
SEAL, Steering Connecting Rod	6.886	SHAFT, A.C. Compressor	9.170
SEAL, Steering Gear Hydraulic Valve	6.552	SHAFT, Air Distributor	9.786
SEAL, Steering Gear Oil Hose	6.674	SHAFT, Brake Pedal	4.634
SEAL, Steering Gear Oil Pressure Hose	6.673	SHAFT, Carburetor and Fuel Injection Choke	3.752

MICROFICHE INDEX
GROUPS 0.000 THRU 2.000 & 21.000
FICHE 1 OF 6

GROUP DESCRIPTION	STARTING GRID LOCATION	
	PARTS	ILLUSTRATIONS
- INTRODUCTION	A-6	J-2
- GENERAL INFORMATION	A-2	J-2
- ALPHABETICAL INDEX	C-11	N.A.
- INDEX FOR ADDITIONAL INFORMATION	A-5	N.A.
0.000 ENGINE - CLUTCH	D-12	J-6
1.000 COOLING - GRILLE - OIL SYSTEM	E-11	K-15
2.000 CHASSIS WIRING - LAMPS	G-13	L-7
21.000 ACCESSORY REFERENCE LIST	D-9	N.A.
- OUT OF FICHE CALLS	N.A.	N-2

D-1

ALPHABETICAL INDEX

SHAFT, Differential Side Pinion	5.517	SHIM, Bumper Mounting	7.865
SHAFT, Distributor	2.372	SHIM, Differential Clutch	5.511
SHAFT, Front Door Window Regulator	10.783	SHIM, Distributor Shaft Thrust and Gear	2.379
SHAFT, Fuel Injection Distributor	3.340	SHIM, Door Hinge	10.450
SHAFT, Ignition Switch Warning, Lock or Headlamp	2.195	SHIM, Engine Mounting	0.002
SHAFT KIT, Oil Pump	1.639	SHIM, Engine Valve	0.303
SHAFT KIT, Transmission Parking Brake	4.294	SHIM, Folding Top	14.340
SHAFT KIT, Transmission Input and Turbine Shaft	4.123	SHIM, Hood Hinge	8.016
SHAFT, Oil Pump	1.639	SHIM, King Pin Thrust Bearing	6.214
SHAFT, Power Brake Booster(Vacuum)	4.924	SHIM KIT, Differential Rear Pinion Bearing	5.460
SHAFT, Propeller	5.544	SHIM KIT, Differential Bearing Adjusting	5.537
SHAFT, Rear Axle	5.420	SHIM KIT, Engine Main Bearing Cap	0.153
SHAFT, Rear Axle Control Arm	5.381	SHIM KIT, Steering Gear Lash Adjuster	6.828
SHAFT, Rear Axle Universal Joint	5.425	SHIM, Radiator	1.270
SHAFT, Rear Compartment Lid Lock Cylinder	12.252	SHIM, Rear Axle Control Arm	5.380
SHAFT, Speedometer to Instrument Panel(Domestic)	9.761	SHIM, Rear Compartment Lid and End Gate	12.184
SHAFT, Stabilizer	7.241	SHIM, Rear View Mirror	10.186
SHAFT, Starter Motor Drive Shift	2.108	SHIM, Rear Wheel	5.855
SHAFT, Steering Column	6.524	SHIM, Roof Panel	12.810
SHAFT, Steering Knuckle Lower Control Arm	6.169	SHIM, Seat Back	11.381
SHAFT, Steering Pump	6.614	SHIM, Seat Back Locking	11.390
SHAFT, Tachometer	9.750	SHIM, Starter Motor	2.042
SHAFT, Transmission Countergear	4.428	SHIM, Steering Knuckle Upper Control Arm	6.178
SHAFT, Transmission Gearshift	4.309	SHIM, Warning	2.810
SHAFT, Transmission Gearshift Control Shifter	4.025	SHIM, Windshield Wiper Access	10.130
SHAFT, Transmission Internal Shift	4.302	SHOE KIT, Brake	5.017
SHAFT, Transmission Input and Turbine Shaft	4.123	SHOE, Steering Column	6.514
SHAFT, Transmission Mainshaft	4.172	SHROUD, Radiator Fan	1.277
SHAFT, Transmission Main Drive	4.403	SHROUD, Steering Column	6.518
SHAFT, Transmission Main Drive	4.403	SHROUD, Transmission Control Lever	4.010
SHAFT, Transmission Output Shaft or Carrier	4.175	SIGHT GLASS KIT, Refrigerant Flow Sight	9.202
SHAFT, Transmission Parking Brake	4.294	SILENCER, Power Brake Booster	4.913
SHAFT, Transmission Reverse Idler	4.433	SILL, Door Opening Rocker	12.934
SHAFT, Transmission Reverse Idler	4.433	SKI ADAPTER PKG, Roof & Deck Lid(Group 12.810)	21.060
SHAFT, Transmission Shift Control	4.025	SKIRT, Front Fender	8.153
SHAFT, Transmission Sun Gear and Shaft	4.161	SLEEVE, A.C. Compressor (Internal Parts)(Axial)	9.172
SHAFT, Transmission Shifter Shaft	4.309	SLEEVE, Air Injection Reactor Pump	3.655
SHAFT, Transmission Throttle Valve	4.275	SLEEVE, Carburetor Throttle Control	3.425
SHAFT, Upper Control Arm Shaft	6.164	SLEEVE, Clock	9.772
SHAFT, Valve Rocker Arm	0.353	SLEEVE, Concealed Headlamp Control Opening Cover	2.765
SHAFT, Windshield Wiper Motor Drive	10.151	SLEEVE, Distributor Breaker	2.385
SHELF, Instrument Panel	14.655	SLEEVE, Emission Control System	3.671
SHELL, A.C. Compressor	9.170	SLEEVE, Heater	8.846
SHELL, A.C. Refrigerant	9.195	SLEEVE, Instrument Cluster	9.748
SHELL KIT, A.C. Refrigerant	9.195	SLEEVE, Intake & Exhaust Manifold	3.273
SHELL, Power Brake Booster(Vacuum)	4.906	SLEEVE KIT, A.C. Condenser	9.190
SHELL, Transmission Output Shaft or Carrier	4.175	SLEEVE KIT, Steering Tie Rod Adjuster	6.232
SHIELD, Back Window Gutter	10.997	SLEEVE KIT, Transmission Control Rod To Lever	4.037
SHIELD, Brake Flange Plate	5.002	SLEEVE, Luggage Carrier	12.815
SHIELD, Catalytic Converter	3.690	SLEEVE, Oil Pump	1.639
SHIELD, Chassis Wiring Harness	2.559	SLEEVE, Roof Panel	12.810
SHIELD, Distributor	2.383	SLEEVE, Speedometer Driven Gear	4.338
SHIELD, Door Lock Remote Control	10.500	SLEEVE, Speedometer Driven Gear	4.338
SHIELD, Engine Fuel Intake Manifold	3.265	SLEEVE, Transmission Gearshift	4.307
SHIELD, Engine Valve	0.308	SLEEVE, Transmission First And Reverse Gear Thrust	4.419
SHIELD, Exhaust Manifold Heater	3.602	SLEEVE, Transmission Oil Pump	4.224
SHIELD, Exhaust Tail Pipe	3.705	SLIDE BLOCK, Front Seat Adjuster	11.561
SHIELD, Floor Pan	12.980	SLINGER, Differential Drive Pinion	5.484
SHIELD, Front Door	10.470	SLINGER, Generator Drive End	2.307
SHIELD, Front Fender	8.153	SLINGER, Transmission Main Drive Gear Bearing	4.374
SHIELD, Fuel Line	3.163	SOCKET, Back Up Lamp	2.697
SHIELD, Headlamp	2.726	SOCKET, Brake Shoe Adjusting Screw	5.111
SHIELD, Ignition Switch Warning, Lock or Headlamp	2.195	SOCKET, Instrument Cluster	9.744
SHIELD, Instrument Cluster	9.748	SOCKET, Instrument Cluster Warning	9.765
SHIELD, Instrument Panel Compartment Lamp	10.275	SOCKET, Luggage Compartment	5.988
SHIELD KIT, Distributor	2.393	SOCKET, Parking Lamp	2.596
SHIELD, Radiator to Grille	1.287	SOCKET, Rear License Lamp	2.714
SHIELD, Radio Static Suppression	9.663	SOCKET, Side Marker and Hazard Flasher	2.575
SHIELD, Rear Axle Universal Joint	5.425	SOCKET, Tail Lamp	2.694
SHIELD, Rear Compartment Floor	12.981	SOCKET, Tie Rod	6.233
SHIELD, Rear Wheel Bearing Dust	5.815	SOLENOID, Carburetor Air Cleaner Controls	3.415
SHIELD, Rear Wheel Bearing Dust	2.575	SOLENOID, Carburetor Idle	3.440
SHIELD, Side Marker and Hazard Flasher	2.251	SOLENOID, Early Fuel Evaporation Control	3.140
SHIELD, Spark Plug Wire	2.104	SOLENOID, Emission Control System	3.670
SHIELD, Starter Solenoid	6.514	SOLENOID, Engine and Transmission Controlled Spark	2.408
SHIELD, Steering Column	12.944	SOLENOID, Transmission Solenoid	4.122
SHIELD, Wheelhouse	10.151	SOLENOID VALVE, Windshield Wiper Access	10.130
SHIELD, Windshield Wiper Motor Drive	9.171	SPACER, A.C. Compressor Pulley	9.181
SHIM, A.C. Compressor Mounting	9.023	SPACER, A.C. Compressor Mounting	9.171
SHIM, Body to Frame Bolt	7.840		

ALPHABETICAL INDEX

SPACER, A.C. Evaporator Blower	9.215	SPRING, Carburetor Metering Rod	3.810
SPACER, Air Distributor	9.262	SPRING, Carburetor Power Piston	3.859
SPACER, Air Distributor	9.786	SPRING, Carburetor Pump	3.841
SPACER, Air Injection Reactor and Exhaust Gas Recirculation	3.680	SPRING, Carburetor Throttle Valve and Throttle Lever Adjusting	3.761
SPACER, Air Injection Reactor Pump	3.650	SPRING, Clutch and Brake Pedal Shaft	0.837
SPACER, Air Injection Reactor Pump	3.655	SPRING, Clutch Pressure	0.865
SPACER, Back Window	11.204	SPRING, Clutch Pressure Lever Retainer	0.878
SPACER, Battery	2.333	SPRING, Concealed Headlamp Control Opening Cover	2.765
SPACER, Body to Frame Bolt	9.023	SPRING, Concealed Headlamp Control Drive	2.760
SPACER, Brake Pedal	4.626	SPRING CLIP, A.C. Vacuum & Temperature	9.781
SPACER, Jumper Energy Absorber	7.840	SPRING CLIP, Concealed Headlamp Control Opening Cover	2.765
SPACER, Concealed Headlamp Opening Cover	2.770	SPRING CLIP, Cruise Control	3.885
SPACER, Differential Bearing Adjusting	5.537	SPRING CLIP, Speedometer to Instrument Panel(Domestic)	9.761
SPACER, Differential Drive Pinion Front and Center Bearing	5.453	SPRING CLIP, Windshield Washer	10.155
SPACER, Door Weatherstrip	10.695	SPRING, Differential Clutch	5.511
SPACER, Early Fuel Evaporation	3.145	SPRING, Distributor Breaker	2.385
SPACER, Engine Cooling	1.064	SPRING, Distributor Weight	2.389
SPACER, Engine Fan Coolant	1.060	SPRING, Door Lock Cylinder	10.553
SPACER, Exhaust	3.609	SPRING, Door Lock Inside	10.512
SPACER, Front Seat Back Panel	11.368	SPRING, Door Outside Handle	10.529
SPACER, Fuel Line	3.163	SPRING, Engine Clutch Fork Return	0.844
SPACER, Generator	2.317	SPRING, Engine Clutch Lever & Shaft	0.851
SPACER, Generator Mounting	2.277	SPRING, Engine Clutch	0.864
SPACER, hardtop	13.346	SPRING, Engine Clutch Release Fork	0.796
SPACER, Hydraulic Steering Valve	6.554	SPRING, Engine Valve	0.303
SPACER, Hydraulic Steering Cylinder Piston Rod	6.581	SPRING, Folding and Hard Top	14.080
SPACER, Parking Brake	4.790	SPRING, Folding Top Compartment Lid	12.242
SPACER, Radiator Grille and Front End Panel	1.267	SPRING, Folding Top Compartment	12.170
SPACER, Radio Antenna	9.647	SPRING, Front Chassis	7.412
SPACER, Radio Control	9.549	SPRING, Front Seat Adjuster	11.561
SPACER, Rear Axle Shaft Bearing	5.816	SPRING, Front Seat Manual Adjuster	11.581
SPACER, Rear Compartment	12.269	SPRING, Fuel Tank Evaporator Control(Engine End)	3.130
SPACER, Rear Compartment Lid and End Gate	12.184	SPRING, Fuel Tank Filler	12.945
SPACER, Rear Compartment Lid Lock	12.237	SPRING, Generator	2.319
SPACER, Rear Spring	7.535	SPRING, Generator Brush	2.286
SPACER, Rear Spring and Shock Absorber Anchor	7.518	SPRING, Headlamp Adjuster	2.737
SPACER, Seat Belt	14.875	SPRING, Headlamp Dimmer	2.459
SPACER, Stabilizer	7.240	SPRING, Heat Valve Actuator	3.641
SPACER, Starter Motor	2.042	SPRING, Hood Latch	8.083
SPACER, Steering Column	6.514	SPRING, Hood Latch	8.085
SPACER, Steering Idler Lever	5.897	SPRING, Horn Button Blowing	2.819
SPACER, Steering Knuckle Control Arm	6.176	SPRING, Hydraulic Steering Cylinder Piston Rod	6.581
SPACER, Steering Pump Mounting	6.606	SPRING, Hydraulic Steering Adapter	6.560
SPACER, Transmission Housing	4.162	SPRING, Ignition Switch Warning, Lock or Headlamp	2.195
SPACER, Transmission Mainshaft Front Pilot to Main Drive Gear	4.353	SPRING, Instrument Cluster Warning	9.765
SPACER, Transmission Mounting	4.085	SPRING, Instrument Panel Ash Tray	12.009
SPACER, Transmission Pressure Regulator and Oil Pump	4.216	SPRING, Instrument Panel	14.655
SPACER, Transmission Mount and Support	4.085	SPRING KIT, Brake Shoe	5.026
SPACER, Transmission Counter Gear	4.423	SPRING KIT, Engine Valve	0.303
SPACER, Transmission Mainshaft Bearing	4.353	SPRING KIT, Windshield Washer Pump	10.153
SPACER, Transmission Oil Pump	4.226	SPRING, Oil Pressure Regulate	1.609
SPACER, Turn Signal Lamp	2.895	SPRING, Parking Brake Lever	5.151
SPACER, Universal Joint Yoke Trunnion	5.566	SPRING, Plenum Air	9.789
SPACER, Windshield Glass	10.027	SPRING, Power Brake Booster(Vacuum)	4.924
SPACER, Windshield Reveal	10.096	SPRING, Rear Chassis	7.503
SPEAKER, Radio	9.650	SPRING, Rear Compartment	12.249
SPEAKER, Radio Auxiliary Speakers	9.665	SPRING, Rear View Mirror	10.186
SPHERE KIT, Steering Column	6.514	SPRING, Side Marker and Hazard Flasher	2.575
SPHERE, Steering Column	6.514	SPRING, Starter Drive	2.087
SPINDLE, Rear Wheel	5.806	SPRING, Starter Motor Drive Shift	2.108
SPLITTER BOX, Radio Antenna	9.647	SPRING, Starter Motor Brush	2.053
SPOTLIGHT PKG, Portable Spot(Group 9.773)	21.290	SPRING, Steering Column	6.521
SPRAG, Transmission Clutch	4.167	SPRING, Steering Column Housing	6.500
SPRAG, Transmission Clutch(Low & Reverse)	4.180	SPRING, Steering Column	6.514
SPRING, auto lock	8.820	SPRING, Steering Connecting Rod	6.876
SPRING, Accelerator Return Spring	3.459	SPRING, Steering Gear Hydraulic Valve	6.552
SPRING, Air Distributor	9.786	SPRING, Steering Gear Shaft	6.525
SPRING, Brake Drum	5.810	SPRING, Steering Pump	6.612
SPRING, Brake Hose or Pipe	4.681	SPRING, Sunshade	10.213
SPRING, Brake Pull Back	4.760	SPRINGS, Front Chassis	7.412
SPRING, Brake Shoe	5.026	SPRINGS, Rear Chassis	7.503
SPRING, Brake Shoe Automatic Adjusting Lever	5.107	SPRING, Transmission Control Lev	4.008
SPRING, Carburetor (with Leather and Shaft)	3.838	SPRING, Transmission Clutch(Low & Reverse)	4.180
SPRING, Carburetor and Fuel Injection Idle Adjusting Screw	3.823	SPRING, Transmission Shift Shaft Detent	4.311
SPRING, Carburetor and Fuel Injection Fast Idle	3.766	SPRING, Transmission Clutch	4.163
SPRING, Carburetor and Fuel Meter Fuel Inlet	3.740	SPRING, Transmission Pressure Regulator and Oil Pump	4.216
SPRING, Carburetor Air Valve	3.757	SPRING, Transmission Shift Control Cable	4.047
SPRING, Carburetor Diaphragm Return	3.763		

WAREHOUSING DISTRIBUTION DIVISION OF GENERAL MOTORS CORPORATION—CHEVROLET—14A

ALPHABETICAL INDEX

SPRING, Transmission Clutch	4.164	STRUT, Parking Brake Lever	5.150
SPRING, Transmission Synchronizing	4.413	STRUT, Rear Axle Tie	5.415
SPRING, Transmission Oil Pump	4.226	STUD, A.C. Compressor Mounting	9.171
SPRING, Transmission Clutch	4.167	STUD, Accelerator Pedal Mounting	3.452
SPRING, Transmission Control Rod To Lever	4.037	STUD, Accelerator Return Spring	3.459
SPRING, Transmission Control	4.008	STUD, Air Cleaner Air Intake	3.417
SPRING, Transmission Control Rod	4.037	STUD, Air Distributor	9.786
SPRING, Transmission Shift Control Lever	4.027	STUD, Battery Hold Down	2.334
SPRING, Transmission Shift Shaft Detent	4.311	STUD, Carburetor to Manifold	3.288
SPRING, Transmission Synchronizing	4.413	STUD, Carburetor to Manifold	3.726
SPRING, Transmission First And Reverse Gear Thrust	4.419	STUD, Carburetor Air Cleaner and Silencer	3.403
SPRING, Transmission Rear Bearing and Mainshaft	4.412	STUD, Carburetor Throttle Control	3.425
SPRING, Transmission Gearshift Shaft	4.027	STUD, Concealed Headlamp Control Opening Cover	2.765
SPRING, Transmission Throttle Valve	4.275	STUD, Cruise Control	3.880
SPRING, Transmission Front Servo	4.233	STUD, Emission Control System	3.671
SPRING, Transmission Parking Brake	4.295	STUD, Engine Air Cool Fan	1.050
SPRING, Transmission Gearshift Control Hand Lever	4.008	STUD, Engine Clutch Lever & Shaft	0.851
SPRING, Transmission Main Valve	4.216	STUD, Engine Clutch Release Fork	0.796
SPRING, Transmission Servo & Accumulator	4.233	STUD, Engine Coolant	1.153
SPRING, Transmission Rear Servo	4.246	STUD, Engine Coolant Pump	1.073
SPRING, Transmission Gearshift Rod	4.037	STUD, Engine Fan Coolant	1.060
SPRING, Transmission Vacuum	4.205	STUD, Engine Fuel Intake Manifold	3.265
SPRING, Transmission Clutch	4.164	STUD, Engine Main Bearing Cap	0.056
SPRING, Transmission Control Lever	4.027	STUD, Engine Oil Pump	1.652
SPRING, Turn Signal Switch Cancelling	2.896	STUD, Engine Valve Adjusting	0.429
SPRING, Wheel Cylinder	4.669	STUD, Engine Valve Rocker Arm Cover	0.413
SPRING, Windshield Wiper Motor Drive	10.151	STUD, Exhaust Pipe	3.613
SPRING, Windshield Wiper Motor	10.150	STUD, Flywheel	0.679
SPROCKET, Engine Camshaft	0.736	STUD, Folding and Hard Top	14.080
SPROCKET, Engine Crankshaft	0.728	STUD, Fuel Pump Mounting	3.901
STATOR, Generator Field	2.310	STUD, Hardtop	13.345
STOP, Concealed Headlamp Control Opening Cover	2.765	STUD, Hydraulic Steering Cylinder Piston Rod	6.581
STOP, Door Window	10.716	STUD, Ignition Switch	2.188
STOP, Folding Top	14.340	STUD, Intake & Exhaust Manifold	3.275
STOP, Headlamp Control	2.775	STUD, Intake Manifold Vacuum	3.278
STOP, Transmission Pressure Regulator and Oil Pump	4.216	STUD, Oil Pan	1.428
STOVE, Air Cleaner Air Intake	3.417	STUD, Rear Hatch Window	12.187
STRAINER, Fuel Tank Gage	3.110	STUD, Starter Motor Drive Shift	2.108
STRAP, A.C. Compressor	9.242	STUD, Starter Motor Switch	2.102
STRAP, Battery(Negative)	2.341	STUD, Steering Connecting Rod	6.874
STRAP, Chassis Wiring Harness	2.559	STUD, Steering Pump Mounting	6.606
STRAP, Distributor	2.383	STUD, Throttle Control Lever	3.463
STRAP, Distributor	2.400	STUD, Transmission Throttle Valve Control	4.052
STRAP, Engine Cooling	1.219	STUD, Windshield Wiper Access	10.130
STRAP, Exhaust Manifold Heater	3.602	SUB BODY, Headlamp	2.725
STRAP, Fuel Tank Mounting	3.022	SUNSHADE, Windshield Sunshade	10.203
STRAP, Headlamp	2.485	SUPPORT, A.C. Compressor Mounting	9.171
STRAP, Heater Core	8.854	SUPPORT, Accelerator Pedal Lever	3.454
STRAP, Luggage Carrier	12.815	SUPPORT, Body Rear End(Plastic Laminated)	12.986
STRAP, Plenum Air	9.789	SUPPORT, Brake Flange	5.001
STRAP, Radio Static Suppression	9.663	SUPPORT, Bumper	7.836
STRAP, Rear Axle Rebound	5.390	SUPPORT, Bumper Energy Absorber	7.840
STRAP, Rear Compartment Floor	12.981	SUPPORT, Catalytic Converter	3.690
STRAP, Roof Panel	12.810	SUPPORT, Concealed Headlamp Control Opening Cover	2.765
STRIKER, Door Lock	10.569	SUPPORT, Floor Console	10.240
STRIKER, Folding Top Roof Rail	14.090	SUPPORT, Front Body Hinge Pillar	12.840
STRIKER, Hood Latch	8.080	SUPPORT, Fuel Tank Evaporator Control(Engine End)	3.130
STRIKER, Instrument Panel Compartment Door	10.268	SUPPORT, Fuel Tank Stone Shield	3.015
STRIKER, Rear Compartment Lid Lock	12.237	SUPPORT, Generator Mounting	2.277
STRIKER, Rear Compartment Floor	12.981	SUPPORT, Hood Panel	8.015
STRIKER, Rear View Mirror	10.186	SUPPORT, Horn Button Blowing	2.819
STRIKER, Stop Lamp	2.447	SUPPORT, Inside Rear View Mirror	10.187
STRIP, Bumper Energy Absorber	7.840	SUPPORT, Instrument Panel Compartment Lamp	10.275
STRIP, Bumper Face	7.831	SUPPORT KIT, Concealed Headlamp Control Opening Cover	2.765
STRIP, Bumper	7.832	SUPPORT, Parking Lamp	2.587
STRIPE, Front Door	12.112	SUPPORT, Power Brake Booster(Vacuum)	4.930
STRIPE, Front Fender and Body Ornamentation	8.132	SUPPORT, Radiator	1.270
STRIPE, Hood Panel Ornamentation	8.055	SUPPORT, Radiator Fan	1.277
STRIPE, Inside and Outside Rear View	10.185	SUPPORT, Radiator Grille and Front End Panel	1.267
STRIPE, Rear Compartment Lid and Rear End Panel	12.182	SUPPORT, Radio Static Suppression	9.663
STRIPE, Rear Quarter Ornamentation	12.116	SUPPORT, Rear Axle Control Arm	5.380
STRIPE, Roof Panel	12.812	SUPPORT, Rear Axle Tie Rod	5.418
STRIP, Front Body Hinge Pillar	12.840	SUPPORT, Rear Body Lock Pillar	12.942
STRIP, Rear Body Lock Pillar	12.942	SUPPORT, Rear Compartment Floor	12.981
STRIP, Rear Compartment Floor	12.981	SUPPORT, Roof Panel	12.810
STRIP, Roof Panel	12.810	SUPPORT, Sound and Dash and Vent Duct	12.804
STRIP, Windshield Glass	10.092	SUPPORT, Spare Wheel	7.629
STRUT, Clutch Release Lever	0.875	SUPPORT, Spark Plug Wire	2.251
		SUPPORT, Starter Motor Brush	2.052
		SUPPORT, Steering Column	6.518

ALPHABETICAL INDEX

SUPPORT, Steering Column Attaching	6.760	TEE, Auto Shock Absorber	7.447
SUPPORT, Sunshade	10.219	TEE, Concealed Headlamp Control Drive	2.760
SUPPORT, Transmission Housing	4.162	TEE, Crankcase	1.745
SUPPORT, Transmission Output Shaft or Carrier	4.175	TEE, Distributor Vacuum	2.420
SUPPORT, Transmission Control Lever	4.010	TEE, Fuel Line	3.163
SUPPORT, Transmission Control Valve	4.265	TEE, Fuel Tank Evaporator Control(Engine End)	3.130
SUPPORT, Turn Signal Switch	2.906	TEE, Intake Manifold Vacuum	3.278
SWITCH, A.C. Compressor (Internal Parts)(Axial)	9.172	TEE, Power Brake Booster(Vacuum)	4.931
SWITCH, A.C. Control Vacuum	9.280	TEE, Transmission Vacuum	4.205
SWITCH, A.C. Electric Control	9.275	TEE, Windshield Washer	10.155
SWITCH, Back Up Lamp	2.698	TERMINAL BLOCK, Distributor	2.383
SWITCH, Body Harness	13.095	TERMINAL, Chassis Electrical	2.530
SWITCH, Brake Pressure Regulator	4.690	TERMINAL, Concealed Headlamp Control Opening Cover	2.765
SWITCH, Concealed Headlamp Motor	2.755	TERMINAL, Heater Blower Motor	8.855
SWITCH, Coolant Temperature (Engine Unit)	1.150	TERMINAL KIT, Generator	2.313
SWITCH, Courtesy Lamp	11.950	THERMOSTAT, Automatic Choke Control	3.750
SWITCH, Distributor Vacuum	2.410	THERMOSTAT, Engine Coolant Temperature	1.246
SWITCH, Door Electric and Vacuum Locks	10.485	THERMOSTAT, Exhaust Manifold Heat Valve	3.640
SWITCH, Door Window	10.777	TIMER, Courtesy Lamp	11.935
SWITCH, Early Fuel Evaporation Control	3.140	TIMER, Instrument Cluster Warning	9.765
SWITCH, Emission Control System	3.670	TOOL, Wheel and Jack Wrench	8.821
SWITCH, Engine and Transmission Controlled Spark	2.408	TRANSCIEVER, Radio	9.650
SWITCH, Engine Air Cooling(Electrical)	1.055	TRANSDUCER, Cruise Control	3.885
SWITCH, Exhaust Manifold Heat Valve	3.640	TRANSISTOR, Distributor	2.383
SWITCH, Headlamp	2.485	TRANSISTOR, Voltage and Glow Plug	2.510
SWITCH, Headlamp Dimmer	2.459	TRANSMISSION, Automatic	4.003
SWITCH, Heater Control	8.852	TRANSMISSION, Manual (4 Speed)	4.003
SWITCH, Ignition Switch	2.188	TRANSMISSION, Seat Adjuster	11.556
SWITCH, Ignition Switch Warning, Lock or Headlamp	2.195	TRANSMISSION, Windshield Wiper	10.159
SWITCH, Instrument Panel Compartment Lamp	10.275	TRAY, Door, Quarter Arm Rest or Front Seat Back	12.045
SWITCH KIT, A.C. Compressor (Internal parts)(Radial)	9.172A	TRAY, Spare Wheel	7.629
SWITCH KIT, A.C. Compressor (Internal Parts)(Axial)	9.172	TRIM, Folding Top Cover	13.347
SWITCH KIT, Ignition Switch Warning, Lock or Headlamp	2.195	TRIM, Front Seat Back and Back of Back	14.800
SWITCH, Oil Pressure or Temperature	1.800	TRIM, Front Seat Cushion	14.880
SWITCH, Parking Brake Alarm	4.589	TRIM, Roof Trim Headlining	14.640
SWITCH, Radio Antenna	9.647	TUBE, A.C. Blower Motor Cooling	9.218
SWITCH, Rear View Mirror	10.186	TUBE, A.C. Compressor (Internal Parts)(Axial)	9.172
SWITCH, Rear Window Defogger	9.778	TUBE, A.C. Evaporator	9.211
SWITCH, Seat Adjuster	11.558	TUBE, A.C. Refrigerant (All Metal)	9.220
SWITCH, Side Marker and Hazard Flasher	2.575	TUBE, A.C. Refrigerant	9.195
SWITCH, Starter Motor	2.100	TUBE, Air Injection Reactor and Exhaust Gas Recirculation	3.680
SWITCH, Stop Lamp	2.447	TUBE, Choke Heater or Air	3.603
SWITCH, Transmission Smog Control	4.075	TUBE, Crankcase	1.745
SWITCH, Transmission Control Spark	4.075	TUBE, Crankcase Ventilation	1.762
SWITCH, Transmission Control	4.057	TUBE, Front Seat Adjuster	11.561
SWITCH, Transmission Safety Starting Switch	4.054	TUBE, Oil Level	1.516
SWITCH, Transmission Control Spark	4.075	TUBE, Power Brake Booster(Vacuum)	4.930
SWITCH, Transmission Safety Starting Switch	4.054	TUBE, Shock Absorber Air Lift	7.346
SWITCH, Transmission Converter	4.115	TUBE, Speedometer to Instrument Panel(Domestic)	3.761
SWITCH, Transmission Control Valve	4.265	TUBE, Steering Column	6.518
SWITCH, Transmission Control Safety	4.054	TUBE, Transmission Gearshift Control Shifter	4.025
SWITCH, Turn Signal Lamp	2.895	TUBE, Transmission Oil Filler	4.133
SWITCH, Windshield Wiper Motor	10.150	TUBE, Transmission Oil Filler	4.133
SWITCH, Windshield Wiper Control	10.163	TUBE, Transmission Shift Control	4.025
SWIVEL, Carburetor Throttle Control	3.425	TUMBLER, Door Lock Cylinder	10.553
SWIVEL, Clutch Fork Release	0.787	TUMBLER, Rear Compartment	12.249
SWIVEL, Transmission Control Rod To Lever	4.037		
SWIVEL, Transmission Throttle Valve Control	4.052	U	
SWIVEL, Transmission Safety Starting Switch	4.054	U BOLT, Exhaust System Attaching	3.708
SWIVEL, Transmission Control Rod	4.037	U BOLT KIT, Exhaust System Attaching	3.708
SWIVEL, Transmission Throttle Valve Control	4.052	U BOLT, Rear Spring and Shock Absorber Anchor Plate	7.516
SWIVEL, Transmission Safety Starting Switch	4.054	U BOLT, Universal Joint Bearing and Flange	5.586
SWIVEL, Transmission Throttle Valve Control	4.052	UNDERPAN, Flywheel	0.679
SWIVEL, Transmission Control Safety	4.054	UNIT, Rear Spring and Axle	7.529
SYNCHRONIZER, Transmission Synchronizing	4.380	UNIT, Steering Gear Repair	6.507
		V	
T		VALVE, A.C. Compressor (Internal Parts)(Axial)	9.172
TACHOMETER, Tachometer	9.750	VALVE, A.C. Compressor Pressure Relief	9.178
TANK, Concealed Headlamp Control Drive	2.760	VALVE, A.C. Expansion Refrigerant	9.213
TANK, Engine Cooling	1.219	VALVE, Air Distributor	9.262
TANK, Fuel	3.001		
TAPE, Back Window Glass	11.207		
TAPE, Bumper	7.832		
TAPE, Front Fender and Body Ornamentation	8.132		
TEE, A.C. Vacuum & Temperature	9.281		

ALPHABETICAL INDEX

VALVE, Air Distributor	9.786
VALVE, Air Duct	9.782
VALVE, Brake Pressure Regulator	4.690
VALVE, Carburetor Air Cleaner Controls	3.415
VALVE, Carburetor Choke	3.751
VALVE, Carburetor Idle Vapor Vent	3.652
VALVE, Concealed Headlamp Control Drive	2.760
VALVE, Crankcase	1.745
VALVE, Cruise Control	3.885
VALVE, Early Fuel Evaporation Control	3.140
VALVE, Emission Control System	3.670
VALVE, Engine and Transmission Controlled Spark	2.408
VALVE, Exhaust	0.297
VALVE, Exhaust Manifold Heat	3.647
VALVE EGR, Emission Control System	3.670
VALVE, Fuel Tank Evaporator Control(Engine End)	3.130
VALVE, Heater Temperature Control	8.850
VALVE, Heater Water Temperature Control	9.795
VALVE, Intake	0.296
VALVE KIT, Carburetor Power	3.858
VALVE KIT, Emission Control System	3.670
VALVE KIT, Transmission Control Valve	4.265
VALVE KIT, Transmission Main Valve	4.216
VALVE KIT, Transmission Pressure Regulator and Oil Pump	4.216
VALVE, Main Cylinder	4.657
VALVE, Oil Filter	1.837
VALVE, Oil Pressure Regulator	1.609
VALVE, Power Brake Booster Check(Vacuum)	4.955
VALVE, Shock Absorber Air Lift	7.346
VALVE, Steering Gear Hydraulic	6.550
VALVE, Steering Pump Control	6.624
VALVE, Suction Throttling (P.O.A.)	9.198
VALVE, Tire Valve And Cover Lock	5.875
VALVE, Transmission Control Valve	4.265
VALVE, Transmission Converter	4.115
VALVE, Transmission Pressure Regulator and Oil Pump	4.216
VALVE, Transmission Vacuum	4.205
VALVE, Transmission Vacuum	4.205
VALVE, Wheel Cylinder	4.666
VALVE, Windshield Washer Pump	10.153
VALVE, Windshield Wiper Control	10.163
VANE, Transmission Oil Pump	4.226
VENTILATOR, Crankcase	1.745
VENTILATOR, Door (Less Glass)	10.650
VENTILATOR, Rear Axle	5.387
VENTILATOR, Transmission Case	4.104
VENTILATOR, Transmission Case	4.104
VENTILATOR, Transmission Case	4.104
VENT, Transmission Case	4.104

W

WASHER, A.C. Compressor Drive	9.180
WASHER, Air Distributor	9.262
WASHER, Battery Filler	2.345
WASHER, Battery Hold Down	2.334
WASHER, Brake Hose	4.671
WASHER, Brake Master Cylinder Rod	4.659
WASHER, Brake Pedal	4.634
WASHER, Brake Shoe Adjusting	5.110
WASHER, Bumper to Body	7.833
WASHER, Bumper Energy Absorber	7.840
WASHER, Bumper Mounting	7.865
WASHER, Carburetor to Manifold	3.288
WASHER, Carburetor Throttle Valve and Throttle Lever Adjusting	3.761
WASHER, Clutch and Brake Pedal Shaft	0.837
WASHER, Clutch Fork Push Rod Adj	0.793
WASHER, Concealed Headlamp Control Opening Cover	2.765
WASHER, Differential Pinion Thrust	5.542
WASHER, Differential Side Gear Thrust	5.543
WASHER, Distributor	2.364
WASHER, Distributor Shaft Thrust and Gear	2.379
WASHER, Door Lock	10.571
WASHER, Door Outside Handle	10.529
WASHER, Door Weatherstrip	10.694

WASHER, Door Window	10.728
WASHER, Door Window	10.716
WASHER, Door Window Regulator	10.792
WASHER, Engine Clutch Lever & Shaft	0.851
WASHER, Engine Coolant Temperature (Dash Unit)	1.148
WASHER, Engine Crankshaft Pulley and Balancer	0.662
WASHER, Engine Cylinder Head	0.293
WASHER, Engine Oil Pump	1.652
WASHER, Exhaust Mounting	3.706
WASHER, Exhaust Muffler	3.704
WASHER, Folding and Hard Top	14.080
WASHER, Folding Top Side Rail Center	14.190
WASHER, Folding Top Side Roof Rail	14.162
WASHER, Frame Front Cross Member	7.039
WASHER, Front Door Window Regulator	10.783
WASHER, Front Door Window	10.685
WASHER, Front Fender	8.143
WASHER, Fuel Injection Distributor	3.340
WASHER, Fuel Pump Mounting	3.901
WASHER, Fuel Tank Mounting Strap	3.023
WASHER, Generator	2.313
WASHER, Generator Brush	2.291
WASHER, Generator Drive End	2.307
WASHER, Generator Mounting	2.277
WASHER, Generator Rotor Shaft	2.280
WASHER, Hydraulic Steering Cylinder Piston Rod	6.581
WASHER, Hydraulic Steering Valve	6.554
WASHER, Ignition Switch Warning, Lock or Headlamp	2.195
WASHER, Instrument Panel	2.515
WASHER, Instrument Panel Fuel Gage	3.108
WASHER KIT, A.C. Compressor	9.170
WASHER KIT, Transmission Low Sun Gear and Clutch	4.162
WASHER, Luggage Carrier	12.815
WASHER, Master Cylinder Adjusting	4.662
WASHER, Oil Pressure Gage	1.803
WASHER, Parking Brake Lever	5.158
WASHER, Propeller Shaft Pinion Flange	5.595
WASHER, Quarter Window Sash	1.007
WASHER, Radiator	1.263
WASHER, Radiator	1.270
WASHER, Rear Axle	5.387
WASHER, Rear Axle	5.830
WASHER, Rear Axle Control Arm	5.380
WASHER, Rear Axle Control Arm	5.383
WASHER, Rear Axle Tie Rod	5.418
WASHER, Roof Panel	12.810
WASHER, Seat Back	11.381
WASHER, Shock Absorber	7.347
WASHER, Starter Motor Switch	2.102
WASHER, Starter Motor Thrust	2.063
WASHER, Steering Column	6.521
WASHER, Steering Column Attaching	6.760
WASHER, Steering Column Housing	6.500
WASHER, Steering Gear Shaft	6.525
WASHER, Steering Gear Hydraulic Valve	6.552
WASHER, Steering Idler Lever	6.897
WASHER, Steering Knuckle Upper Control Arm	6.178
WASHER, Steering Knuckle Spindle	6.321
WASHER, Steering Knuckle Lower Control Arm	6.172
WASHER, Steering Pitman Arm	6.861
WASHER, Steering Pump	6.655
WASHER, Steering Pump Mounting	6.606
WASHER, Tachometer	9.750
WASHER, Transmission Servo & Accumulator	4.233
WASHER, Transmission Clutch	4.169
WASHER, Transmission Control Indicator	4.022
WASHER, Transmission Main Drive Gear Bearing Retainer	4.376
WASHER, Transmission Clutch	4.164
WASHER, Transmission Reverse Gear Thrust	4.419
WASHER, Transmission First And Reverse Gear Thrust	4.419
WASHER, Transmission Input	4.158
WASHER, Transmission Reverse Idler Gear Thrust	4.437
WASHER, Transmission Control Lever	4.012
WASHER, Transmission Oil Pump	4.226
WASHER, Transmission Control Valve	4.265

ALPHABETICAL INDEX

WASHER, Transmission Reverse Idler Gear Thrust	4.437
WASHER, Transmission Shift Control Cable	4.047
WASHER, Transmission Output Shaft or Carrier	4.175
WASHER, Transmission Output Shaft or Carrier	4.176
WASHER, Transmission Pressure Regulator and Oil Pump	4.216
WASHER, Transmission Housing	4.162
WASHER, Transmission Counter Gear	4.423
WASHER, Transmission Rear Servo	4.241
WASHER, Transmission Countergear Bearing	4.423
WASHER, Transmission Control Lever	4.012
WASHER, Transmission Gearshift Shaft	4.027
WASHER, Transmission Shift Control Lever	4.027
WASHER, Transmission Low Servo	4.228
WASHER, Transmission Governor	4.256
WASHER, Transmission Clutch	4.164
WASHER, Transmission Clutch	4.169
WASHER, Transmission Gearshift Lever Selector and Indicator	4.022
WASHER, Transmission Planet Carrier	4.176
WASHER, Transmission Control	4.012
WASHER, Transmission Shift Control Shaft	4.027
WASHER, Windshield Reveal Molding	10.093
WASHER, Windshield Wiper Access	10.130
WASHER, Windshield Wiper Motor Drive	10.151
WASHER, Windshield Wiper Motor	10.150
WEATHERSTRIP, Back Window Glass	11.207
WEATHERSTRIP, Bottom of Top Front Roof Rail to Windshield	14.060
WEATHERSTRIP, Cowl Ledge	12.801
WEATHERSTRIP, Cowl Top Vent Louver	12.800
WEATHERSTRIP, Door Ventilator	10.652
WEATHERSTRIP, Door Weatherstrip	10.794
WEATHERSTRIP, Folding Top Side Roof Rail-Front	14.120
WEATHERSTRIP, Folding Top Side Rail Center	14.190
WEATHERSTRIP, Folding Top Cover (On Side Belt Rail)	13.352
WEATHERSTRIP, Folding Top Side Roof Rail Rear	14.260
WEATHERSTRIP, Folding Top	14.340
WEATHERSTRIP, Hardtop	13.346
WEATHERSTRIP, Rear Compartment	12.269
WEATHERSTRIP, Roof Panel	12.810
WEATHERSTRIP, Windshield Glass	10.092
WEDGE, Back Window Glass	11.207
WEDGE, Steering Column	6.514
WEIGHT, Distributor	2.388
WEIGHT, Wheel Balance	5.805
WHEEL, Front or Rear	5.803
WHEEL, Steering	6.513
WICK, Generator Oil	2.301
WINDLACE, Carpet	15.294
WINDOW, Folding Top Back	13.389
WIRE, Back Up Lamp	2.697
WIRE, Battery(Negative)	2.341
WIRE, Body Wiring	13.090
WIRE, Chassis Wiring	2.480
WIRE, Door Window	10.777
WIRE, Engine Air Cooling(Electrical)	1.055
WIRE, Engine Wiring	2.525
WIRE, Horn	2.815
WIRE, Horn Lead	2.859
WIRE KIT, Spark or Glow Plug	2.239
WIRE, Outside Air	9.787
WIRE, Parking Lamp	2.596
WIRE, Radio and Speaker	9.656
WIRE, Radio Antenna	9.647
WIRE, Rear Window Defogger	9.778
WIRE, Spark Plug	2.240
WIRE, Transmission Converter	4.115
WIRE, Transmission Safety Starting Switch	4.054
WIRE, Transmission Smog Control	4.075
WIRE, Transmission Throttle Valve	4.275
WIRE, Windshield Wiper Motor	10.150
WORM, Steering Column	6.524
WRENCH, Wheel and Jack Wrench	8.821

Y

YOKE, Propeller Shaft Pinion	5.545
YOKE, Rear Axle Universal Joint	5.425
YOKE, Rear Wheel	5.806
YOKE, Steering Column	6.524
YOKE, Universal Joint	5.555

Z

ZZCHART, A.C. Refrigerant Lines	9.222
---------------------------------------	-------

PARTS

21

ACCESSORIES

	21.060	CARRIER PKG-SKI ADAPTER PKG, Roof & Deck Lid(Group 12.810)			
78-82	Y	996729	1	N.L.	CARRIER PKG, RF PNL (RR DECK)
82	Y	998285	1	6.50	SKI ADAPTER PKG.
	21.090	CLOTH, Polishing(Group 8.800)			
82	Y	994954	1	2.50	CLOTH, POLISHING (DEALER-YEAR ROUND)
	21.100	COMPASS PKG, Auto(Group 8.873)			
53-82	Y	983335	1	9.15	COMPASS PKG.
	21.110	COMPRESSOR PKG, Air Lift Shocks(Group 7.455)			
79-82	Y	22016643	1	68.05	COMPRESSOR PKG, ELEC AIR
	21.155	CONTROL PKG, Dash Control(Group 7.460)			
79-80	Y	22016645	1	34.00	CONTROL PKG, DASH CONTROL (USE W/COMPR PKG 22016643)
	21.205	FITTING PKG, Filler(Group 7.482)			
79-82	Y	22016649	1	13.90	FITTING PKG, FILL HOSE (USE W/COMPR PKG 22016643)
	21.220	GUARD PKG, Fender Splash(Group 8.214)			
70-82	Y	997676	1	5.35	GUARD PKG, FDR SPLASH (BLACK W/WHITE LOGO) (CHEV BOW TIE)
70-82	Y	997696	1	5.35	GUARD PKG, FDR SPLASH (WHITE W/BLACK LOGO) (CHEV BOW TIE)
77-82	Y	996744	1	5.50	GUARD PKG, FDR SPLASH(WHITE)
	21.240	HEATER PKG, Engine Block(Group 1.152)			
78-81	Y	996246	1	12.75	HEATER PKG, ENG BLOCK
	21.250	BALL PKG, Trailer(Group 7.068)			
80-82	Y	981148	1	4.95	BALL PKG, TRLR HITCH (1 7/8" DIA)
82	Y	980870	1	4.95	BALL PKG, TRLR HITCH (2" DIA)
	21.270	LAMP PKG, Fog(Group 2.727)			
79-82	Y (EXC SOFT FASICA BUMPER)	996921	1	50.75	LAMP PKG, FOG
	21.290	SPOTLIGHT PKG, Portable Spot(Group 9.773)			
81-82	Y	998284	1	24.25	SPOTLIGHT PKG, PORTABLE
	21.320	LITTER PKG, Container & Tissue(Group 8.891)			
77-82	Y	994476	1	3.95	LITTER PKG, CONTAINER & TISSUE DISP-3LK
	21.440	MIRROR PKG, Visor Vanity(Group 10.195)			
77-82	Y	981825	1	7.00	MIRROR PKG.
	21.450	MOLDING PKG, Front Fender and Body Side(Group 8.132)			
		<i>NOTE 1: CONSISTS OF TWO 9 FOOT ROLLS</i>			
82	Y	997619	1	23.50	MOLDING PKG, F/FDR & BODY SI (DK REDWOOD) (NOTE 1)

PARTS

0



CHEVROLET CHASSIS GROUP 0.000



ENGINE — CLUTCH

ALPHABETICAL INDEX

A			
ARM, Engine Valve Rocker	0.333	DOWEL, Engine Clutch Housing or Transmission	0.685
ARM KIT, Engine Valve Rocker	0.333	DOWEL, Engine Flywheel	0.669
B		E	
BALANCER, Engine Crankshaft	0.659	EMBLEM, Engine Valve Rocker Arm	0.386
BALL, Engine Valve	0.459	ENGINE, Engine	0.033
BALL, Engine Valve Adjusting	0.429	ENGINE, Universal	0.000
BEARING, Engine Camshaft Thrust	0.533	EXTENSION, Flywheel	0.679
BEARING, Engine Camshaft	0.539		
BEARING, Engine Clutch Release fork	0.799	F	
BEARING, Engine Crankshaft Clutch Pilot	0.649	FLYWHEEL, Engine Crankshaft	0.666
BEARING KIT, Engine Connecting Rod	0.616	FORK, Engine Clutch Release	0.795
BEARING KIT, Engine Crankshaft	0.096		
BLOCK, Engine	0.033	G	
BOLT, Clutch Release Lever	0.873	GASKET, Engine Cylinder Head	0.289
BOLT, Engine Clutch	0.864	GASKET, Engine Front Cover	0.207
BOLT, Engine Clutch Cover to Flywheel	0.862	GASKET, Engine Valve Rocker Arm Cover	0.423
BOLT, Engine Connecting Rod Cap	0.623	GASKET KIT, Engine	0.010
BOLT, Engine Crankshaft Pulley and Balancer	0.662	GASKET KIT, Engine Cylinder Head	0.289
BOLT, Engine Cylinder Head	0.293	GASKET, Valve Push Rod Cover	0.443
BOLT, Engine Flywheel	0.669	GEAR, Engine Flywheel	0.673
BOLT, Engine Main Bearing Cap	0.056	GROMMET, Engine Valve Rocker Arm	0.386
BOLT, Engine Mounting	0.002	GUIDE, Engine Valve Push Rod	0.439
BOLT, Engine Valve Rocker Arm Cover	0.413		
BOLT, Flywheel	0.679	H	
BOOT, Engine Clutch Release Fork	0.797	HEAD, Engine Cylinder	0.269
BRACKET, Engine Clutch Control	0.852	HOUSING, Bolt Engine Clutch	0.683
BRACKET, Engine Lift	0.004		
BRACKET, Engine Mounting	0.029	K	
BUMPER, Engine Clutch Pedal	0.829	KEY, Engine Valve Spring	0.310
BUSHING, Engine Clutch Pedal	0.831		
BUSHING, Engine Clutch Lever & Shaft	0.851	L	
C		LEVER, Engine Clutch Control	0.852
CAMSHAFT, Engine	0.519	LIFTER, Engine Valve	0.459
CAP, Engine Main Bearing	0.095		
CAP, Engine Valve Spring	0.309		
CHAIN, Engine Timing	0.724		
COVER, Engine Clutch	0.859		
COVER, Engine Clutch Plate	0.861		
COVER, Engine Cover Front	0.206		
COVER, Engine Valve Rocker Arm	0.386		
COVER, Flywheel	0.679		
COVER KIT, Engine Valve Rocker Arm	0.386		
CRANKSHAFT, Engine	0.646		
D			
DAMPER, Engine Crankshaft	0.659		

ALPHABETICAL INDEX

M

MOUNTING, Engine 0.027

N

NUT, Clutch Release Lever 0.873
 NUT, Engine Connecting Rod Bolt 0.626
 NUT, Engine Mounting 0.002
 NUT, Engine Valve Adjusting 0.429

P

PEDAL, Engine Clutch Pedal 0.830
 PIN, Clutch Fork Push Rod Adj 0.792
 PIN, Clutch Release Lever 0.875
 PIN, Engine Cylinder Head 0.293
 PISTON, Engine 0.629
 PLASTIGAGE, Engine Main Bearing Clearance 0.093
 PLATE, Clutch Pedal Pull Back Spring 0.846
 PLATE, Engine Clutch 0.859
 PLATE, Engine Clutch Driven 0.886
 PLATE, Engine Clutch Pressure 0.863
 PLUG, Engine Block 0.034
 PLUG, Engine Camshaft Bearing 0.553
 PLUG, Engine Clutch Pedal 0.829
 PLUG, Engine Cylinder Head 0.293
 POINTER, Engine Front Cover 0.219
 PULLEY, Engine Crankshaft 0.659

R

REINFORCEMENT, Engine Valve Rocker Arm
 Cover 0.413
 RETAINER, Clutch and Brake Pedal Shaft 0.837
 RETAINER, Engine Piston Pin 0.639
 RING KIT, Engine Piston 0.643
 ROD, Clutch Fork Release 0.787
 ROD, Engine Clutch Pedal Control 0.854
 ROD, Engine Piston 0.603
 ROD, Engine Valve Push 0.426
 ROTATOR, Engine Valve Spring 0.309

S

SCREW, Engine Valve Adjusting 0.429
 SCREW, Flywheel 0.679
 SEALANT, Engine Valve Rocker Arm Cover 0.423
 SEAL, Engine Clutch Lever & Shaft 0.851
 SEAL, Engine Clutch Pedal 0.820
 SEAL, Engine Crankshaft Front 0.213
 SEAL, Engine Rear Main Bearing 0.137
 SEAL, Engine Valve 0.308
 SEAL KIT, Engine Rear Main Bearing 0.137
 SEAL KIT, Engine Valve 0.308
 SEAT, Engine Clutch Lever & Shaft 0.851
 SHAFT, Valve Rocker Arm 0.353
 SHIELD, Engine Valve 0.308
 SHIM, Engine Mounting 0.002
 SHIM, Engine Valve 0.303
 SHIM KIT, Engine Main Bearing Cap 0.153
 SPRING, Clutch and Brake Pedal Shaft 0.837
 SPRING, Clutch Pressure 0.865
 SPRING, Clutch Pressure Lever Retainer 0.878
 SPRING, Engine Clutch Fork Return 0.844
 SPRING, Engine Clutch Lever & Shaft 0.851
 SPRING, Engine Clutch 0.864
 SPRING, Engine Clutch Release Fork 0.796
 SPRING, Engine Valve 0.303
 SPRING KIT, Engine Valve 0.303
 SPROCKET, Engine Camshaft 0.736

SPROCKET, Engine Crankshaft 0.728
 STRUT, Clutch Release Lever 0.875
 STUD, Engine Clutch Lever & Shaft 0.851
 STUD, Engine Clutch Release Fork 0.796
 STUD, Engine Main Bearing Cap 0.056
 STUD, Engine Valve Adjusting 0.429
 STUD, Engine Valve Rocker Arm Cover 0.413
 STUD, Flywheel 0.679
 SWIVEL, Clutch Fork Release 0.787

U

UNDERPAN, Flywheel 0.679

V

VALVE, Exhaust 0.297
 VALVE, Intake 0.296

W

WASHER, Clutch and Brake Pedal Shaft 0.837
 WASHER, Clutch Fork Push Rod Adj 0.793
 WASHER, Engine Clutch Lever & Shaft 0.851
 WASHER, Engine Crankshaft Pulley and
 Balancer 0.662
 WASHER, Engine Cylinder Head 0.233

ENGINE

0.000 ENGINE, Universal

NOTE 1: THIS ENGINE HAS THE FOLLOWING ITEMS DELETED: WATER PUMP, TORSIONAL DAMPER, INLET AND EXHAUST MANIFOLDS, DISTRIBUTOR, FLYWHEEL, SPARK PLUGS, CLUTCH, CLUTCH HOUSING AND RELATED PARTS. THESE PARTS MAY BE TRANSFERRED FROM THE REPLACED ENGINE IF IN SATISFACTORY CONDITION, OR PURCHASED NEW. WHEN REPLACEMENT PARTS ARE REQ'D FOR THIS ENGINE AS IT IS RECEIVED, THEY SHOULD BE ORDERED USING THE LATEST MODEL YEAR CATALOG. IF PARTS ARE REQUIRED FOR THESE ITEMS BEING TRANSFERRED FROM THE REPLACED ENGINE OR ANY DRESS ITEMS, THEY SHOULD BE ORDERED ACCORDING TO THE MODEL YEAR OF THE VEHICLE. WHEN USED WITH AUTOMATIC TRANSMISSIONS, REMOVE CLUTCH PILOT BEARING FROM CRANKSHAFT.

NOTE 2: MODEL YEAR IDENTIFICATION WHICH MAY BE REQUIRED FOR DETERMINATION OF REPLACEMENT PARTS IS LOCATED IN THE ENGINE IDENTIFICATION SECTION AT THE FRONT OF THIS CATALOG.

NOTE 3: THIS ENGINE MAY HAVE BEEN BUILT WITH CYL HD INCORPORATING 3/8 SENDER HOLE IN LH HEAD. IT WILL BE NECESSARY TO PROCURE SENDER-WATER TEMP #89993164 FOR 1979 MDLS. IF USED ON 1978 AND PRIOR MDLS, THE FOLLOWING IS REQUIRED: REMOVE EXISTING TEMP LGHT SENDING UNIT AND DISCARD. USING 3/8" PIPE HOLE IN CYL HD AS A TEMPLATE, DRILL OUT HOLE TO 23/32" & TAP TO 1/2-14 N.P.S.I. INSTALL ORIGINAL SENDER SW FROM REPLACED ENGINE.

71-79 Y (350) (EXC. SP. H/PER.) 14009800 1 N.L. ENGINE, (NOTE 1,2,3)

0.002 BOLT -NUT -SHIM, Engine Mounting

53-74 Y	9775107	AR	.72	BOLT (7/16-14 X 4 7/8 H PT 280M PC)
72-82 Y	399803	2	.88	BOLT, ENG MT TO ENG BRKT (HEX. 7/16-14 X 4 7/16") (6.509)
74-82 Y	331248	AR	.33	BOLT (3/8-16 X 15/16)(300M)
76-79 Y	334972	2	.58	BOLT (7/16-14 X 5 1/8) (300M)
66-82 Y	3774712	2	.44	NUT (7/16-20)
76-79 Y	6262212	AR	.33	NUT, ENG MT FLANGE HD (7/16 14) (301M)
66-74 Y (427, 454) W/A.C.	3910758	2	2.55	SHIM, FRT MT

0.004 BRACKET, Engine Lift

75-81 Y	3923243	1	1.75	BRACKET, ENG LIFTING RR
80 Y (305)	14047070	1	2.85	BRACKET, ENG LIFTING FRT

0.010 GASKET KIT, Engine

NOTE: THE BELOW ENGINE GASKET KITS TOGETHER WITH OIL PAN GASKET KIT (GROUP 1.429) AND CYLINDER HEAD GASKET KIT (GROUP 0.289) PROVIDE ALL NECESSARY GASKETS FOR COMPLETE ENGINE OVERHAUL.

59-74 Y (283, 327, 350)	14050646	1	8.50	GASKET KIT, ENG
65-74 Y (396, 427, 454)	476074	1	16.75	GASKET KIT, ENG
75-82 Y	14050645	1	8.50	GASKET KIT, ENG

0.027 MOUNTING, Engine

63-62 Y	3703873	2	13.50	MOUNTING, FRT UPR
63 Y	3913498	1	9.75	MOUNTING (4.081)
63-82 Y	6258154	2	N.L.	MOUNTING

0.029 BRACKET, Engine Mounting

56-63 Y (8 CYL.)	3786779	1	11.65	BRACKET (BETWEEN WATER PUMP AND ENG)
63-82 Y	3819305	LH	17.25	BRACKET, FRT
63-82 Y	3923680	RH	25.75	BRACKET, FRT
68-79 Y	3913882	1	6.55	BRACKET, TRANS SUPT MT (USAGE 4.083)

0.033 BLOCK-ENGINE, Engine

NOTE: CAUTION COMBINATION NOT APPEARING BELOW SHOULD BE CHECKED IN THE ENGINE SERIES NUMBER AND SUFFIX CHART IN FRONT OF CATALOG TO DETERMINE IF THE COMBINATION WAS AVAILABLE IN PRODUCTION. IF NOT AVAILABLE, NO ATTEMPT SHOULD BE MADE TO MAKE THE INSTALLATION.

NOTE: FITTED BLOCK INCLUDES BLOCK, PISTON & PIN ASM, CRANKSHAFT BRGS. AND RR SEAL.

NOTE 1: PARTIAL ENGINES 3974228 (1ST DESIGN) AND 3970699 (2ND DESIGN) ARE NOT INTERCHANGEABLE. PARTIAL ENGINE 3970699 HAS FLOATING PISTON DESIGN AND IS USED WITH OPEN CHAMBER CYLINDER HEAD.

NOTE 2: INCLUDES BLOCK, CONNECTING ROD/PISTON ASM, CAMSHAFT AND RELATED PARTS, CRANKSHAFT, BEARINGS, AND REAR SEAL.

NOTE 3: WHEN USING ON 1968 AND PAST MODELS, IT IS NECESSARY TO REMOVE THE TWO DOWEL PINS FROM FRONT OF CASE WHEN TRANSFERING FRONT END COVER FROM REPLACED ENGINE

NOTE 4: TRANSFER BRG. CAP STUDS FROM REPLACED ENGINE.

NOTE 5: INCLUDES BLOCK, CONNECTING ROD/PISTON ASM, CRANKSHAFT, BEARINGS, RR SEAL; LESS CAMSHAFT AND RELATED PARTS.

NOTE 6: WHEN USING ON 1982-84 MODELS, IT WILL BE NECESSARY TO REPLACE (3) CR/SHF BRG CAP STUDS WITH (3) BOLTS, F/N 3932480, GROUP 0.056.

ENGINE

0.033 BLOCK-ENGINE, Engine (Con't)

NOTE 7: INCLUDES BLOCK, PISTON & PIN ASM, CRANKSHAFT BRGS, AND RR SEAL

71-72	Y (350) (EXC. SP. H/PER.)	3997426	1	N.L.	BLOCK, FITTED(W/REAR SEAL)
71-79	Y (350) W/SP. H/PER.	474172	1	1188.00	BLOCK, FITTED(W/REAR SEAL)
71-72	Y (454) W/H/PER.	462849	1	1322.00	BLOCK, FITTED
73-79	Y (350) (EXC. SP. H/PER.)	6259425	1	924.00	BLOCK, FITTED(W/REAR SEAL)
73	Y (454)	462849	1	1322.00	BLOCK, FITTED
80	Y (305)	14019867	1	882.00	BLOCK, FITTED
80	Y (350) W/SP H/PER	14019870	1	1290.00	BLOCK, FITTED
80	Y (350) (EXC SP H/PER)	14019869	1	849.00	BLOCK, FITTED
81	Y (350)	14019869	1	849.00	BLOCK, FITTED
82	Y (5.7-8)	14083502	1	1290.00	BLOCK, FITTED (NOTE 6,7)
69	Y (427) W/H.D. (2ND DESIGN)	3970699	1	2468.00	ENGINE, PARTIAL (NOTE 1,2)
70	Y (350) W/SP. H/PER.	3966921	1	1899.00	ENGINE, PARTIAL (NOTE 2)
71-72	Y (350) (EXC. SP. H/PER.)	464153	1	N.L.	ENGINE, PARTIAL (NOTE 2)
71-72	Y (454) W/H/PER.	6272185	1	1846.00	ENGINE, PARTIAL (NOTE 2)
71-79	Y W/SP. H/PER.	474171	1	1713.00	ENGINE, PARTIAL (NOTE 5)
73	Y (350) (EXC. SP. H/PER.)	14034904	1	1406.00	ENGINE, PARTIAL (NOTE 5)
73	Y (454)	462851	1	1846.00	ENGINE, PARTIAL (NOTE 5)
74-75	Y (350) (EXC. CALIF., SP. H/PER.)	14034904	1	1406.00	ENGINE, PARTIAL (NOTE 5)
74-75	Y (350) W/CALIF. (EXC. SP. H/PER.)	464151	1	N.L.	ENGINE, PARTIAL (NOTE 2)
74	Y (454)	359072	1	1846.00	ENGINE, PARTIAL (NOTE 2)
76-79	Y (350) (EXC. SP. H/PER.)	14034904	1	1406.00	ENGINE, PARTIAL (NOTE 5)
80	Y (305)	14019868	1	1363.00	ENGINE, PARTIAL (NOTE 5)
80	Y (350) (EXC SP H/PER)	14019871	1	1293.00	ENGINE, PARTIAL (NOTE 5)
80	Y (350) W/SP H/PER	14019872	1	1863.00	ENGINE, PARTIAL (NOTE 5)
81	Y (350)	14019871	1	1293.00	ENGINE, PARTIAL (NOTE 5)
82	Y (5.7-8)	14083505	1	1863.00	ENGINE, PARTIAL (NOTE 5,6)

0.034 PLUG, Engine Block

53-55	Y (6 CYL.)	3835121	AR	.66	PLUG, FRT AND RR(2")
53-55	Y (6 CYL.)	3835577	AR	.28	PLUG, EXPANSION, OIL PRESS PIPE-IN BLOCK (19/32 O.D., CUP SHAPE)
65-74	Y (396, 427, 454) (EXC. AL. CYL. AND CASE)	3743389	11	.58	PLUG, EXPANSION, WAT JKT HOLE (CUP TYPE 1 3/4" O.D.)
75	Y (350)	3826504	1	2.05	PLUG, EXPANSION, WAT JKT

0.056 BOLT-STUD , Engine Main Bearing Cap

53-55	Y (6 CYL.)	3835867	2	1.05	BOLT, FRT AND RR INTER (9/16-12 X 3)
82-65	Y	3872781	AR	.71	BOLT (7/16-14 X 3 9/32)
65-69	Y (396, 427) W/SP. H/PER.	3859927	10	.66	BOLT, OTR
65-69	Y (396, 427) W/SP. H/PER.	3909834	AR	.72	BOLT, INR (3 11/32 X 1 3/16)
66-68	Y (EXC. 427)	3872781	AR	.71	BOLT (7/16-14 X 3 9/32)
66-69	Y (427) W/H/PER.	3909834	AR	.72	BOLT, INR (3 11/31 X 1 3/16)
67-69	Y (427) (EXC. AL. CYL. AND CASE)	3909834	AR	.72	BOLT (3 11/32 X 1 3/16)
67-69	Y (427) W/H.D.	3859927	10	.66	BOLT, OTR
69-81	Y (350)	3932480	10	.66	BOLT (7/16-14 X 3 11/32)
69	Y (427) W/AL. CYL. AND CASE	3952321	6	2.70	BOLT, INR (1/2-13 X 4 1/4)
70-80	Y (350) W/SP. H/PER.	3877669	6	1.40	BOLT, SHORT (2 1/16 O.L.) (0.293)
70-74	Y (454) (EXC. H.D.)	3909834	AR	.72	BOLT (3 11/32 X 1 3/16)
71	Y (454) W/SP. H/PER.	3859927	10	.66	BOLT, OTR (2 39/64 X 53/64)
80	Y (305)	3932480	10	.66	BOLT (7/16-14 X 3 11/32)
82	Y (5.7-8)	3932480	10	.66	BOLT (7/16-14 X 3 11/32)
62-65	Y (327) W/SP. H/PER., F.I.	3872718	AR	2.60	STUD (7/16-14,3/8-16 X 5 1/4)
65-69	Y (396, 427)	3902885	4	4.60	STUD (1/2-13,3/8-16 X 5 1/8)
69-80	Y (350) W/SP. H/PER.	3960312	AR	3.90	STUD (3/8 -16 X 7/16-14 X 5 5/8)
69	Y (427) W/AL. CYL. AND CASE	336719	4	9.15	STUD, INR
72-74	Y (454)	3902885	4	4.60	STUD (1/2-13,3/8-16 X 5 1/8)

0.093 PLASTIGAGE , Engine Main Bearing Clearance

53-82	Y	1390274	AR	9.10	PLASTIGAGE (TYPE PG-1)
-------	---	---------	----	------	------------------------

0.095 CAP, Engine Main Bearing

55-68	Y (EXC. 396, 427)	3970194	4	16.40	CAP (BLUE STRIPE)(NO. 1,2,3,4)
65-66	Y (396, 427) (EXC. SP. H/PER.)	3877462	4	17.00	CAP (NO. 1,2,3,4)
65-68	Y (396, 427) W/SP. H/PER.	14019825	4	30.50	CAP (NO. 1,2,3,4)
65-74	Y (396, 427, 454)	14019827	1	31.25	CAP,
67-69	Y (427) (EXC. SP. H/PER., H.D., AL. CYL. AND CASE)	3877462	4	17.00	CAP (NO. 1,2,3,4)
67-69	Y (427) W/H.D., AL. CYL. AND CASE	14019825	4	30.50	CAP (NO. 1,2,3,)
68-81	Y (305, 327, 350)	3911007	1	14.60	CAP, CR/SHF RR BRG

ENGINE

0.095 CAP, Engine Main Bearing (Con't)

69-80	Y (350) W/O 4 BOLT MAINS	3956688	4	25.30	CAP (NO. 1,2,3,4)
69-80	Y (350) W/4 BOLT MAINS	3956686	3	27.40	CAP (NO. 2,3,4)
69-80	Y (350) W/4 BOLT MAINS	3956688	1	25.30	CAP (NO. 1)
70-74	Y (454) W/H/PER.	3877462	4	17.00	CAP (NO. 1,2,3,4)
70-71	Y (454) W/SP. H/PER.	14019825	4	30.50	CAP (NO. 1,2,3,4)
80	Y (305)	3956688	4	25.30	CAP (NO. 1,2,3,4)
81	Y (350)	3956688	4	25.30	CAP (NO. 1,2,3,4)
82	Y (5.7-8)	3911007	1	14.60	CAP. CR/SHF #5
82	Y (5.7-8)	3956688	4	25.30	CAP. CR/SHF #1,2,3,4

0.096 BEARING KIT, Engine Crankshaft

NOTE: BEARINGS HAVING NO SUPPLEMENTARY NOTE ARE DUREX 100.

NOTE 1: ALUMINIUM M-400.

NOTE 2: ALUMINIUM M-420.

NOTE 3: USE IN ENGINE WITH STANDARD SIZE CRANKSHAFT MAIN BEARING JOURNALS AS FOLLOWS - POSITION #1-2-3-4 2.299 INCH DIA. AND POSITION #5 2.430 INCH DIA.

NOTE 4: USE IN ENGINE WITH STANDARD SIZE CRANKSHAFT MAIN BEARING JOURNALS AS FOLLOWS - POSITION #1-2-3-4 2.449 INCH DIA. AND REAR POSITION #5 2.448 INCH DIA.

57-67	Y (283, 327)	3876116	1	11.80	BEARING KIT (FRT)(STD) (NOTE 1,3)
57	Y (8 CYL.)	3832930	1	11.80	BEARING KIT (STD) (NOTE 2,3)
58-61	Y (283) (EXC. H.L. CAM)	3832930	1	11.80	BEARING KIT (STD) (NOTE 2,3)
62-68	Y (327)	3832930	1	11.80	BEARING KIT (EXC RR)(STD) (NOTE 2,3)
62-68	Y (327)	3912030	1	N.L.	BEARING KIT (RR)(STD) (NOTE 4)
62-68	Y (327)	3912032	1	N.L.	BEARING KIT (RR)(.001 U.S.) (NOTE 4)
62-68	Y (327)	3912033	1	16.15	BEARING KIT (RR)(.002 U.S.) (NOTE 4)
62-68	Y (327)	3912034	1	16.15	BEARING KIT (RR)(.009 U.S.) (NOTE 4)
62-68	Y (327)	3912035	1	16.15	BEARING KIT (RR)(.010 U.S.) (NOTE 4)
62-68	Y (327)	3912036	1	16.15	BEARING KIT (RR)(.020 U.S.) (NOTE 4)
62-68	Y (327)	3912037	1	11.80	BEARING KIT (EXC. RR) (.009 U.S.) (NOTE 4)
62-68	Y (327)	3912038	1	N.L.	BEARING KIT (EXC. RR)(STD) (NOTE 4)
62-68	Y (327)	3912039	1	11.70	BEARING KIT (EXC. RR) (.001 U.S.) (NOTE 4)
62-68	Y (327)	3912040	1	11.80	BEARING KIT (EXC. RR) (.002 U.S.) (NOTE 4)
62-68	Y (327)	3912041	1	11.80	BEARING KIT (EXC. RR) (.010 U.S.) (NOTE 4)
62-68	Y (327)	3912042	1	11.45	BEARING KIT (EXC. RR) (.020 U.S.) (NOTE 4)
65-74	Y (396, 427, 454)	347013	1	N.L.	BEARING KIT (EXC. RR)(STD)
65-74	Y (396, 427, 454)	347014	1	14.55	BEARING KIT (EXC. RR)(.001 U.S.)
65-74	Y (396, 427, 454)	347016	1	14.55	BEARING KIT (EXC. RR)(.010 U.S.)
65-74	Y (396, 427, 454)	347017	1	20.40	BEARING KIT (EXC. RR)(.020 U.S.)
65-74	Y (396, 427, 454)	347018	1	20.40	BEARING KIT (RR)(STD)
65-74	Y (396, 427, 454)	347019	1	20.40	BEARING KIT (RR)(.001 U.S.)
65-74	Y (396, 427, 454)	347020	1	20.40	BEARING KIT (RR)(.002 U.S.)
65-74	Y (396, 427, 454)	347021	1	26.75	BEARING KIT (.010 U.S.)
65-74	Y (396, 427, 454)	347022	1	26.75	BEARING KIT (RR)(.020 U.S.)
65-74	Y (396, 427, 454)	3885378	1	14.55	BEARING KIT (EXC. RR)(.002 U.S.)
68-75	Y (350)	3912040	1	11.80	BEARING KIT (#1,2,3,4)(.002 U.S.)
68-75	Y (350)	3912041	1	11.80	BEARING KIT (#1,2,3,4)(.010 U.S.)
68-75	Y (350)	3912042	1	11.45	BEARING KIT (#1,2,3,4)(.020 U.S.)
69-81	Y (305, 350)	3912030	1	N.L.	BEARING KIT (#5)(STD)
69-81	Y (305, 350)	3912032	1	N.L.	BEARING KIT (#5)(.001 U.S.)
69-81	Y (305, 350)	3912033	1	16.15	BEARING KIT (#5)(.002 U.S.)
69-81	Y (305, 350)	3912034	1	16.15	BEARING KIT (#5)(.009 U.S.)
69-81	Y (305, 350)	3912035	1	16.15	BEARING KIT (#5)(.010 U.S.)
69-81	Y (305, 350)	3912036	1	16.15	BEARING KIT (#5)(.020 U.S.)
69-75	Y (350)	3912037	1	11.80	BEARING KIT (#1,2,3,4)(.009 U.S.)
69-75	Y (350)	3912038	1	N.L.	BEARING KIT (#1,2,3,4)(STD)
69-75	Y (350)	3912039	1	11.70	BEARING KIT (#1,2,3,4)(.001 U.S.)
76-81	Y (305, 350)	462661	1	5.95	BEARING KIT (#1 UPR)(STD)
76-81	Y (305, 350)	462664	1	5.95	BEARING KIT (#1 LWR)(STD)
76-81	Y (305, 350)	462673	1	5.95	BEARING KIT (#1 UPR)(.001 U.S.)
76-81	Y (305, 350)	462674	1	5.95	BEARING KIT (#1 UPR)(.002 U.S.)
76-81	Y (305, 350)	462677	1	5.95	BEARING KIT (#1 LWR)(.001 U.S.)
76-81	Y (305, 350)	462678	1	5.95	BEARING KIT (#1 LWR)(.002 U.S.)
76-81	Y (305, 350)	464047	1	11.80	BEARING KIT (#1)(.010 U.S.)
76-81	Y (305, 350)	464048	1	11.80	BEARING KIT (#1)(.020 U.S.)
76-81	Y (305, 350)	476011	1	14.35	BEARING KIT (#1)(.009 U.S.)
76-81	Y (305, 350)	3912037	1	11.80	BEARING KIT (#2,3,4)(.009 U.S.)
76-81	Y (305, 350)	3912038	1	N.L.	BEARING KIT (#2,3,4)(STD)
76-81	Y (305, 350)	3912039	1	11.70	BEARING KIT (#2,3,4)(.001 U.S.)
76-81	Y (305, 350)	3912040	1	11.80	BEARING KIT (#2,3,4)(.002 U.S.)
76-81	Y (305, 350)	3912041	1	11.80	BEARING KIT (#2,3,4)(.010 U.S.)

ENGINE

0.096 BEARING KIT, Engine Crankshaft (Con't)

76-81	Y (305, 350)	3912042	1	11.45	BEARING KIT (#2,3,4)(.020 U.S.)
82	Y (5.7-8)	462661	1	5.95	BEARING KIT (#1 UPR)(STD)
82	Y (5.7-8)	462664	1	5.95	BEARING KIT (#1 LWR)(STD)
82	Y (5.7-8)	462673	1	5.95	BEARING KIT (#1 UPR)(.001 U.S.)
82	Y (5.7-8)	462674	1	5.95	BEARING KIT (#1 UPR)(.002 U.S.)
82	Y (5.7-8)	462677	1	5.95	BEARING KIT (#1 LWR)(.001 U.S.)
82	Y (5.7-8)	462678	1	5.95	BEARING KIT (#1 LWR)(.002 U.S.)
82	Y (5.7-8)	464047	1	11.80	BEARING KIT (#1)(.010 U.S.)
82	Y (5.7-8)	464048	1	11.80	BEARING KIT (#1)(.020 U.S.)
82	Y (5.7-8)	476011	1	14.35	BEARING KIT (#1)(.009 U.S.)
82	Y (5.7-8)	3912030	1	N.L.	BEARING KIT (#5)(STD)
82	Y (5.7-8)	3912032	1	N.L.	BEARING KIT (#5)(.001 U.S.)
82	Y (5.7-8)	3912033	1	16.15	BEARING KIT (#5)(.002 U.S.)
82	Y (5.7-8)	3912034	1	16.15	BEARING KIT (#5)(.009 U.S.)
82	Y (5.7-8)	3912035	1	16.15	BEARING KIT (#5)(.010 U.S.)
82	Y (5.7-8)	3912036	1	16.15	BEARING KIT (#5)(.020 U.S.)
82	Y (5.7-8)	3912037	1	11.80	BEARING KIT (#2,3,4)(.009 U.S.)
82	Y (5.7-8)	3912038	1	N.L.	BEARING KIT (#2,3,4)(STD)
82	Y (5.7-8)	3912039	1	11.70	BEARING KIT (#2,3,4)(.001 U.S.)
82	Y (5.7-8)	3912040	1	11.80	BEARING KIT (#2,3,4)(.002 U.S.)
82	Y (5.7-8)	3912041	1	11.80	BEARING KIT (#2,3,4)(.010 U.S.)
82	Y (5.7-8)	3912042	1	11.45	BEARING KIT (#2,3,4)(.020 U.S.)

0.137 SEAL -SEAL KIT, Engine Rear Main Bearing

NOTE 1: UPPER AND LOWER SEAL MUST BE REPLACED SIMULTANEOUSLY.

53-55	Y (6 CYL.)	3835774	2	1.30	SEAL (GRAPHITE IMPREGNATED - 6 13/16 LONG)
55-58	Y (8 CYL.)	9772826	2	1.20	SEAL (4 3/4 O.L.)
65-74	Y (396, 427, 454)	460571	2	5.20	SEAL, (NOTE 1)
59-81	Y (283, 327, 350)	473424	1	N.L.	SEAL KIT, CR/SHF RR OIL
82	Y (5.7-8)	473424	1	N.L.	SEAL KIT, CR/SHF RR OIL

0.153 SHIM KIT, Engine Main Bearing Cap

NOTE 1: FOR USE WITH 3956688 BEARING CAP.

55-68	Y (EXC. 396, 427)	3911010	AR	3.85	SHIM KIT (NO. 1,2,3,4)
55-68	Y (EXC. 396, 427)	3911011	AR	3.85	SHIM KIT (RR)
65-74	Y (396, 427, 454)	3877488	AR	3.85	SHIM KIT (NO. 1,2,3,4)
65-74	Y (396, 427, 454)	3877476	AR	3.85	SHIM KIT (RR)
69-81	Y (350)	3911011	AR	3.85	SHIM KIT (RR)
69-80	Y (350) W/O 4 BOLT MAINS	3911010	AR	3.85	SHIM KIT (NO. 1,2,3,4)
69-80	Y (350) W/4 BOLT MAINS	3911010	AR	3.85	SHIM KIT (NO. 1) (NOTE 1)
69-80	Y (350) W/4 BOLT MAINS	3956690	AR	3.85	SHIM KIT (NO. 2,3,4)
80-81	Y (350)	3911010	AR	3.85	SHIM KIT (NO. 1,2,3,4)
82	Y (5.7-8)	3911010	4	3.85	SHIM KIT (#1,2,3,4)
82	Y (5.7-8)	3911011	1	3.85	SHIM KIT (#5)

0.206 COVER, Engine Cover Front

55-61	Y (8 CYL.)	361926	1	16.55	COVER, W/OIL SEAL
62-65	Y (EXC. F.I., SP. H/PER.)	361926	1	16.55	COVER, W/OIL SEAL
62-68	Y (327) W/SP. H/PER., F.I.	361925	1	15.45	COVER
65-74	Y (396, 427, 454)	330850	1	15.65	COVER,
66-67	Y (327) (EXC. SP. H/PER.)	361926	1	16.55	COVER, W/OIL SEAL (DOUBLE TIMING MARK BRKT.)
68	Y (327) (EXC. SP. H/PER.)	361927	1	15.45	COVER,
75-82	Y	3991433	1	13.80	COVER,

0.207 GASKET, Engine Front Cover

53-55	Y (6 CYL.)	838206	1	.41	GASKET
55-74	Y (EXC. 396, 427, 454)	3799620	1	.55	GASKET,
65-68	Y (396, 427)	3860098	1	.73	GASKET
69-74	Y (427, 454)	3935449	1	.83	GASKET
75-82	Y	3799620	1	.55	GASKET,

0.213 SEAL, Engine Crankshaft Front

53-79	Y (EXC. 396, 427, 454)	14033199	1	4.85	SEAL,
65-74	Y (396, 427, 454)	3860095	1	4.65	SEAL
80-82	Y	14033199	1	4.85	SEAL,

0.219 POINTER, Engine Front Cover

65-74	Y (396, 427, 454)	3992073	1	.97	POINTER,
69-80	Y (350) (EXC SP H/PER)	3991435	1	1.15	POINTER, TIMING
69-80	Y (350) W/SP H/PER	3991436	1	1.15	POINTER,
81-82	Y	3991435	1	1.15	POINTER, TIMING

ENGINE

0.269 HEAD, Engine Cylinder

NOTE 1: WHEN USED ON 1953 CORVETTE, VALVE ROCKER COVER 3836242 AND GASKET 3708646 OR 3708648 MUST BE USED. INSTALL (2) 9411925 VALVE ROCKER COVER SHAFT SUPPORT BOLTS.
NOTE 2: PART NO. 838539 IS NOT REQUIRED IF REPLACED HEAD HAS SPRING SEATS WHICH CAN BE TRANSFERRED.
NOTE 3: WHEN USING 3817680 ON 1957-1958 MODELS IT WILL ALSO BE NECESSARY TO USE CYL. HEAD GASKET 3830711.
NOTE 4: WHEN USING ON MODELS PRIOR TO 1968 USE PIPE PLUG 444667 OR 444746 TO PLUG WATER TEMP. SWITCH HOLE.
NOTE 5: 367125 AND 6260856 IDENT. BY 2 HALF ROUND SCALLOPS AT LOWER EDGE, 464036 AND 464045 IDENT. BY ENTIRE LOWER EDGE SCALLOPED AROUND CYL. HD. BOLTS.
NOTE 6: WHEN USING 464045 IN PLC. OF 369125, MEASURE FROM TOP OF GUIDE TO VALVE SPRING SEAT. IF DIMENSION IS .75, USE 6263796 VALVE SPRING & DAMPER. IF DIMENSION IS .84, USE 3911068 VALVE SPRING & DAMPER.
NOTE 7: WHEN USING 464036 IN PLC. OF 6260856, MEASURE FROM TOP OF GUIDE TO VALVE SPRING SEAT. IF DIMENSION IS .75, USE 6263796 VLV SPRING & DAMPER. IF DIMENSION IS .84, USE 3911068 VLV SPRING & DAMPER.

56-61	Y	3817680	2	222.00	HEAD, RH AND LH (IDENT NO 3795896) (NOTE 1, 2, 3)
61	Y	W/F.I.	3958603	2	209.00	HEAD, W/STUDS
62-64	Y	(327) (EXC. H/PER., F.I., SP. H/PER.)	3817680	2	222.00	HEAD, RH AND LH (IDENT NO 3795896) (NOTE 3)
62-63	Y	(327) W/H/PER., SP. H/PER., F.I.	3958603	2	209.00	HEAD, W/STUDS
64	Y	(327) W/H/PER.	3958603	2	209.00	HEAD, W/STUDS
64-68	Y	(327) W/SP. H/PER., F.I.	3987376	2	233.00	HEAD, W/GDE AND STUDS
65-68	Y	(327) (EXC. SP. H/PER., F.I.)	3958603	2	209.00	HEAD, W/STUDS
65-69	Y	(396, 427) W/SP. H/PER.	3919839	2	276.00	HEAD, W/VLV GDE (CAST IRON HEAD) (NOTE 4)
69-70	Y	(350) (EXC. H/PER., SP. H/PER.)	3958603	2	209.00	HEAD, W/STUDS
69	Y	(350) W/H/PER.	3987376	2	233.00	HEAD, W/GDE AND STUDS
69	Y	(427) W/H.D., AL. CYL. AND CASE	14011076	2	619.00	HEAD, W/VLV GDE
70	Y	(350) W/H/PER., SP. H/PER.	3987376	2	233.00	HEAD, W/GDE AND STUDS
70	Y	(454) (EXC. H.D.)	3964286	2	284.00	HEAD, W/GDE AND CYL VLV
70-71	Y	(454) W/H.D., SP. H/PER.	14011076	2	619.00	HEAD, W/VLV GDE (ALUM HEAD)
71-80	Y	(350) (EXC. SP. H/PER.)	14034808	2	243.00	HEAD, (NOTE 5, 7)
71-79	Y	(350) W/SP. H/PER.	464045	2	246.00	HEAD, W/STUDS AND GDE (NOTE 5, 6)
71-72	Y	(454) (EXC. SP. H/PER.)	3999240	2	284.00	HEAD, W/VLV GDE
71	Y	(454) W/SP. H/PER.	6260432	2	299.00	HEAD, W/VLV GDE
73	Y	(454)	353047	2	284.00	HEAD, W/GDE
74	Y	(454)	352625	2	284.00	HEAD, W/GDE
80	Y	(305)	14034807	2	209.00	HEAD
80	Y	(350) W/SP. H/PER.	14022206	2	246.00	HEAD
81-82	Y	14034808	2	243.00	HEAD

0.289 GASKET-GASKET KIT, Engine Cylinder Head

55-68	Y	(265, 283, 327)	3830711	2	5.20	GASKET
65	Y	(396) W/SP. H/PER.	330860	2	5.25	GASKET (22 1/2 O.L.)
66-70	Y	(427, 454) (EXC. H.D.)	330880	2	5.25	GASKET (22 1/2 O.L.)
67	Y	(427) W/H.D.	3887179	2	14.15	GASKET
68-69	Y	(427) W/SP. H/PER.	3921940	2	13.75	GASKET (ALUM CYL HEAD)
68-69	Y	(427) W/H.D.	3989885	2	20.10	GASKET
69-81	Y	(350)	462691	2	N.L.	GASKET
71-72	Y	(454) W/H/PER.	330860	2	5.25	GASKET (22 1/2 O.L.)
71	Y	(454) W/SP. H/PER.	3921940	2	13.75	GASKET (ALUM CYL HEAD)
73-74	Y	(454)	330860	2	5.25	GASKET (22 1/2 O.L.)
80	Y	(305)	462690	2	5.85	GASKET
82	Y	(5.7-8)	462691	2	N.L.	GASKET
57-68	Y	(283, 327)	3931606	1	30.75	GASKET KIT
66	Y	(427)	465397	1	69.75	GASKET KIT
67	Y	(427) W/H.D.	6259319	1	53.25	GASKET KIT (ALUM HEAD)
67-72	Y	(427, 454) (EXC. SP. H/PER., H.D.)	465397	1	69.75	GASKET KIT
68-69	Y	(427) W/H.D.	3974218	1	56.50	GASKET KIT
68-71	Y	(427, 454) W/SP. H/PER.	6259319	1	53.25	GASKET KIT (ALUM HEAD)
69-71	Y	(327, 350)	465283	1	N.L.	GASKET KIT
73	Y	(350)	465261	1	N.L.	GASKET KIT
73	Y	(454)	465400	1	66.50	GASKET KIT
74	Y	(350)	465262	1	N.L.	GASKET KIT
75	Y	(350)	465283	1	N.L.	GASKET KIT
76	Y	(EXC. CALIF.)	465283	1	N.L.	GASKET KIT
76	Y	W/CALIF.	465261	1	N.L.	GASKET KIT

ENGINE

0.289 GASKET-GASKET KIT, Engine Cylinder Head (Con't)

77	Y	465261	1	N.L.	GASKET KIT
78-80	Y (3-50)	14038090	1	N.L.	GASKET KIT
90	Y (305)	14038089	1	23.60	GASKET KIT
81	Y (350)	14033554	1	44.50	GASKET KIT
82	Y (5.7-8)	14045085	1	51.25	GASKET KIT,

0.293 BOLT -PIN -PLUG-WASHER, Engine Cylinder Head

NOTE 1: USE WITH CYLINDER HEAD WITH CAST-IN OIL TROUGH ON OUTER EDGE.

NOTE 2: CIRCLE ON TOP OF HEAD.

NOTE 3: RAISED CROSS ON TOP OF HEAD.

53-55	Y (6 CYL.)	1494589	AR	1.80	BOLT (12/32-13 X 4 1/2) (NOTE 2)
55-81	Y (265, 283, 305, 327, 350)	3704796	16	.54	BOLT (7/16-14 X 1 3/4)
55-81	Y (265, 283, 305, 327, 350)	3734594	AR	.57	BOLT (7/16 -14 X 3 3/4) (NOTE 2)
59-81	Y (265, 283, 305, 327, 350)	3767468	4	.54	BOLT (7/16 -14 X 3) (NOTE 1,2)
65-74	Y (396, 427, 454) (EXC. AL. CYL. AND CASE)	3877668	24	.84	BOLT (4 1/2 O.L.) (NOTE 3)
65-74	Y (396, 427, 454)	3877669	E	1.40	BOLT (2 1/16 O.L.)
69	Y (427) W/AL. CYL. AND CASE	3952330	24	1.25	BOLT (7/16-14 X 4 9/16)
75-80	Y (350) W/SP. H/PER.	3877669	6	1.40	BOLT (9/16-14X2.06)(0.293)
82	Y (5.7-8)	3704796	16	.54	BOLT (7/16-14 X 1 3/4)
82	Y (5.7-8)	3734594	14	.57	BOLT (7/16 -14 X 3 3/4)
82	Y (5.7-8)	3767468	4	.54	BOLT (7/16 -14 X 3)
65-74	Y (396, 427, 454)	3894327	4	.36	PIN (1/2 I.D. X 5/8 DIA)
75-78	Y (350)	585927	4	.36	PIN (5/16 X 9/16)
65-69	Y (396, 427)	3864810	4	.54	PLUG, EXPANSION, CYL HEAD AND WAT JKT HOLE (CASTIRON HDS)
70-74	Y (454) (EXC. H.D.)	3864810	4	.54	PLUG, EXPANSION, CYL HEAD AND WAT JKT HOLE (CASTIRON HDS)
53-74	Y (454) W/SP. H/PER.	3899696	AR	.40	WASHER (ALUM)
66-68	Y (427) W/SP. H/PER., H.D., AL. CYL. AND CASE	3899696	AR	.40	WASHER (ALUM)

0.296 VALVE, Intake

55-56	Y (8 CYL.) (EXC. DUAL 4BC)	3989083	1	10.55	VALVE (STD)
55-56	Y (8 CYL.) (EXC. DUAL 4BC)	3995684	1	10.55	VALVE (.003 O.S.)
55-56	Y (8 CYL.) (EXC. DUAL 4BC)	3995685	1	10.55	VALVE (.015 O.S.)
55-56	Y (8 CYL.) (EXC. DUAL 4BC)	14033020	1	10.65	VALVE (.030 O.S.)
57-61	Y (8 CYL.) (EXC. H.L. CAM)	3989083	1	10.55	VALVE (STD)
57-61	Y (8 CYL.) (EXC. H.L. CAM)	3995684	1	10.55	VALVE (.003 O.S.)
57-61	Y (8 CYL.) (EXC. H.L. CAM)	3995685	1	10.55	VALVE (.015 O.S.)
57-61	Y (8 CYL.) (EXC. H.L. CAM)	14033020	1	10.65	VALVE (.030 O.S.)
61	Y W/F.I.	3995681	1	10.55	VALVE (.003 O.S.)
61	Y W/F.I.	3995683	1	10.55	VALVE (.030 O.S.)
61	Y W/F.I.	14025572	1	N.L.	VALVE (STD)
61	Y W/F.I.	14033147	1	11.00	VALVE (.0155 O.S.)
62-64	Y (283, 327) (EXC. H/PER., SP. H/PER., F.I.)	3989083	1	10.55	VALVE (STD)
62-64	Y (283, 327) (EXC. H/PER., SP. H/PER., F.I.)	3995684	1	10.55	VALVE (.003 O.S.)
62-64	Y (283, 327) (EXC. H/PER., SP. H/PER., F.I.)	3995685	1	10.55	VALVE (.015 O.S.)
62-64	Y (283, 327) (EXC. H/PER., SP. H/PER., F.I.)	14033020	1	10.65	VALVE (.030 O.S.)
62-63	Y W/SP. H/PER., H/PER., F.I.	3995681	1	10.55	VALVE (.003 O.S.)
62-63	Y W/SP. H/PER., H/PER., F.I.	3995683	1	10.55	VALVE (.070 O.S.)
62-63	Y W/SP. H/PER., H/PER., F.I.	14025572	1	N.L.	VALVE (STD)
62-63	Y W/SP. H/PER., H/PER., F.I.	14033147	1	11.00	VALVE (.0155 O.S.)
64-68	Y (327) W/SP. H/PER., F.I.	3849814	1	14.70	VALVE (STD)
64-68	Y (327) W/SP. H/PER., F.I.	3849815	1	14.65	VALVE (.003 O.S.)
64-68	Y (327) W/SP. H/PER., F.I.	3849816	1	14.65	VALVE (.015 O.S.)
64-68	Y (327) W/SP. H/PER., F.I.	3849817	1	14.65	VALVE (.030 O.S.)
64	Y W/H/PER.	3995681	1	10.55	VALVE (.003 O.S.)
64	Y W/H/PER.	3995683	1	10.55	VALVE (.030 O.S.)
64	Y W/H/PER.	14025572	1	N.L.	VALVE (STD)
64	Y W/H/PER.	14033147	1	11.00	VALVE (.0155 O.S.)
65-68	Y (327) (EXC. SP. H/PER., F.I.)	3995681	1	10.55	VALVE (.003 O.S.)
65-68	Y (327) (EXC. SP. H/PER., F.I.)	3995683	1	10.55	VALVE (.030 O.S.)
65-68	Y (327) (EXC. SP. H/PER., F.I.)	14025572	1	N.L.	VALVE (STD)
65-68	Y (327) (EXC. SP. H/PER., F.I.)	14033147	1	11.00	VALVE (.0155 O.S.)
65-68	Y (396, 427) W/SP. H/PER., H.D.	3864808	1	14.65	VALVE (STD)
65-69	Y (396, 427) (EXC. SP. H/PER., H.D., ALUM. CYL. AND CASE)	6263754	1	10.55	VALVE (STD)
65-69	Y (396, 427) (EXC. SP. H/PER., H.D., ALUM. CYL. AND CASE)	6263767	1	10.55	VALVE (.003 O.S.)

ENGINE

0.296 VALVE , Intake (Con't)

65-69	Y (396, 427) (EXC. SP. H/PER., H.D., ALUM. CYL. AND CASE)	6263768	1	10.55	VALVE (.015 O.S.)
65-69	Y (396, 427) (EXC. SP. H/PER., H.D., ALUM. CYL. AND CASE)	6263769	1	10.55	VALVE (.030 O.S.)
69-80	Y (350) (EXC. H/PER., SP. H/PER.)	3995681	1	10.55	VALVE (.003 O.S.)
69-80	Y (350) (EXC. H/PER., SP. H/PER.)	3995683	1	10.55	VALVE (.030 O.S.)
69-80	Y (350) (EXC. H/PER., SP. H/PER.)	14J25572	1	N.L.	VALVE (STD)
69-80	Y (350) (EXC. H/PER., SP. H/PER.)	14033147	1	11.00	VALVE (.0155 O.S.)
69-70	Y (350) W/H/PER.	3849815	1	14.65	VALVE (.003 O.S.)
69-70	Y (350) W/H/PER.	3849816	1	14.65	VALVE (.015 O.S.)
69-70	Y (350) W/H/PER.	3849817	1	14.65	VALVE (.030 O.S.)
69-70	Y (350) W/H/PER.	3942556	1	10.55	VALVE (STD)
69	Y (427) W/SP. H/PER.	3864808	1	14.65	VALVE (STD)
69	Y (427) W/H.D. (1ST DESIGN)	3864808	1	14.65	VALVE (STD)
69	Y (427) W/ALUM. CYL. AND CASE	3969815	1	14.65	VALVE (STD)
69-70	Y (427) W/H.D. (2ND DESIGN)	3969815	1	14.65	VALVE (STD)
70-79	Y (350) W/SP. H/PER.	3849814	1	14.70	VALVE (STD)
70-79	Y (350) W/SP. H/PER.	3849815	1	14.65	VALVE (.003 O.S.)
70-79	Y (350) W/SP. H/PER.	3849817	1	14.65	VALVE (.030 O.S.)
70	Y (454) (EXC. H.D.)	6263764	1	10.55	VALVE (STD)
70	Y (454) (EXC. H.D.)	6263767	1	10.55	VALVE (.003 O.S.)
70	Y (454) (EXC. H.D.)	6263768	1	10.55	VALVE (.015 O.S.)
70	Y (454) (EXC. H.D.)	6263769	1	10.55	VALVE (.030 O.S.)
71	Y (454) W/SP. H/PER.	3969815	1	14.65	VALVE (STD)
71-72	Y (454) W/H/PER.	6263764	1	10.55	VALVE (STD)
71-72	Y (454) W/H/PER.	6263767	1	10.55	VALVE (.003 O.S.)
71-72	Y (454) W/H/PER.	6263768	1	10.55	VALVE (.015 O.S.)
71-72	Y (454) W/H/PER.	6263769	1	10.55	VALVE (.030 O.S.)
73-74	Y (454)	6263764	1	10.55	VALVE (STD)
73-74	Y (454)	6263767	1	10.55	VALVE (.003 O.S.)
73-74	Y (454)	6263768	1	10.55	VALVE (.015 O.S.)
73-74	Y (454)	6263769	1	10.55	VALVE (.030 O.S.)
80	Y (305)	14025571	8	10.65	VALVE (STD)
80	Y (305)	14037603	8	10.65	VALVE (.0035 O.S.)
80	Y (305)	14037604	8	10.65	VALVE (.0155 O.S.)
80	Y (305)	14037605	8	10.65	VALVE (.0305 O.S.)
80	Y (350) W/SP. H/PER.	3995946	1	10.55	VALVE (.015 O.S.)
80	Y (350) W/SP. H/PER.	3995947	1	15.90	VALVE (.030 O.S.)
80	Y (350) W/SP. H/PER.	14025573	1	11.65	VALVE (STD)
80	Y (350) W/SP. H/PER.	14034078	1	15.90	VALVE (.003 O.S.)
81	Y (350)	14025572	8	N.L.	VALVE (STD)
81	Y (350)	14033146	8	11.00	VALVE (.0035 O.S.)
81	Y (350)	14033147	8	11.00	VALVE (.0155 O.S.)
81	Y (350)	14033148	8	11.00	VALVE (.0305 O.S.)
82	Y (5.7-8)	14025572	8	N.L.	VALVE (STD)
82	Y (5.7-8)	14033146	8	11.00	VALVE (.0035 O.S.)
82	Y (5.7-8)	14033147	8	11.00	VALVE (.0155 O.S.)
82	Y (5.7-8)	14033148	8	11.00	VALVE (.0305 O.S.)

0.297 VALVE , Exhaust

53-55	Y (6 CYL.)	3995602	1	12.30	VALVE (.003 O.S.)
53-55	Y (6 CYL.)	6263775	1	28.50	VALVE (.015 O.S.)
53-55	Y (6 CYL.)	6263776	1	28.50	VALVE (.030 O.S.)
53-55	Y (6 CYL.)	6263778	1	28.00	VALVE (STD)
55-57	Y (265) (EXC. F.I., H.L. CAM)	3995602	1	12.30	VALVE (.003 O.S.)
55-57	Y (265) (EXC. F.I., H.L. CAM)	6263775	1	28.50	VALVE (.015 O.S.)
55-57	Y (265) (EXC. F.I., H.L. CAM)	6263776	1	28.50	VALVE (.030 O.S.)
55-57	Y (265) (EXC. F.I., H.L. CAM)	6263778	1	28.00	VALVE (STD)
56-63	Y (265, 283, 327) W/H.L. CAM	3779486	1	12.65	VALVE (STD)
58-61	Y (283) (EXC. DUAL 4BC, H.L. CAM)	3995602	1	12.30	VALVE (.003 O.S.)
58-61	Y (283) (EXC. DUAL 4BC, H.L. CAM)	6263775	1	28.50	VALVE (.015 O.S.)
58-61	Y (283) (EXC. DUAL 4BC, H.L. CAM)	6263776	1	28.50	VALVE (.030 O.S.)
58-61	Y (283,) (EXC. DUAL 4BC, H.L. CAM)	6263778	1	28.00	VALVE (STD)
62-70	Y (327, 350) (EXC. H/PER., SP. H/PER., F.I.)	3995602	1	12.30	VALVE (.003 O.S.)

ENGINE

0.297 VALVE , Exhaust (Con't)					
62-70	Y (327, 350) (EXC. H/PER., SP. H/PER., F.I.)	6263775	1	28.50	VALVE (.015 O.S.)
62-70	Y (327, 350) (EXC. H/PER., SP. H/PER., F.I.)	6263776	1	28.50	VALVE (.030 O.S.)
62-70	Y (327, 350) (EXC. H/PER., SP. H/PER., F.I.)	6263778	1	28.00	VALVE (STD)
64-88	Y (327) W/SP. H/PER., F.I.	3849818	1	17.05	VALVE (STD)
65-69	Y (396, 427) W/SP. H/PER. (EXC. ALUM. HEADS)	3860002	1	17.15	VALVE (STD)
65-69	Y (396, 427) (EXC. SP. H/PER., H.D., ALUM. CYL. AND CASE)	3931006	1	12.30	VALVE (STD)
65-69	Y (396, 427) (EXC. SP. H/PER., H.D., ALUM. CYL. AND CASE)	3931097	1	12.30	VALVE (.003 O.S.)
65-69	Y (396, 427) (EXC. SP. H/PER., H.D., ALUM. CYL. AND CASE)	3931098	1	12.30	VALVE (.015 O.S.)
65-69	Y (396, 427) (EXC. SP. H/PER., H.D., ALUM. CYL. AND CASE)	3931099	1	12.25	VALVE (.030 O.S.)
65-69	Y (396, 427) W/SP. H/PER. (EXC. ALUM. HEADS)	14045189	1	30.42	VALVE (.015 O.S.)
67-69	Y (427) W/SP. H/PER., W/ALUM. HEADS	3879619	1	17.15	VALVE (STD)
68-70	Y (350) W/H/PER.	3937750	1	17.15	VALVE (STD)
68-70	Y (350) W/H/PER.	3940912	1	17.15	VALVE (.003 O.S.)
68-70	Y (350) W/H/PER.	3940913	1	17.15	VALVE (.015 O.S.)
68-70	Y (350) W/H/PER.	3940914	1	17.15	VALVE (.030 O.S.)
69	Y (427) W/H.D. (1ST DESIGN)	3879619	1	17.15	VALVE (STD)
69	Y (427) W/H.D. (2ND DESIGN)	3946077	1	17.15	VALVE (STD)
69	Y (427) W/ALUM. CYL & CASE	3946077	1	17.15	VALVE (STD)
70-72	Y (350) W/SP. H/PER.	3849818	1	17.05	VALVE (STD)
70	Y (454) (EXC. H.D.)	3931006	1	12.30	VALVE (STD)
70	Y (454) (EXC. H.D.)	3931097	1	12.30	VALVE (.003 O.S.)
70	Y (454) (EXC. H.D.)	3931098	1	12.30	VALVE (.015 O.S.)
70	Y (454) (EXC. H.D.)	3931099	1	12.25	VALVE (.030 O.S.)
71-72	Y (454) W/H/PER.	3931006	1	12.30	VALVE (STD)
71-72	Y (454) W/H/PER.	3931097	1	12.30	VALVE (.003 O.S.)
71-72	Y (454) W/H/PER.	3931098	1	12.30	VALVE (.015 O.S.)
71-72	Y (454) W/H/PER.	3931099	1	12.25	VALVE (.030 O.S.)
71	Y (454) W/SP. H/PER.	3946077	1	17.15	VALVE (STD)
72-79	Y (350) (EXC. SP. H/PER.)	3995602	1	12.30	VALVE (.003 O.S.)
72-75	Y (350) (EXC. SP. H/PER.)	6263775	1	28.50	VALVE (.015 O.S.)
72-75	Y (350) (EXC. SP. H/PER.)	6263777	1	28.50	VALVE (.030 O.S.)
72-75	Y (350) (EXC. SP. H/PER.)	6263778	1	28.00	VALVE (STD)
73-79	Y (350) W/SP. H/PER.	3937750	1	17.15	VALVE (STD)
73-79	Y (350) W/SP. H/PER.	3940912	1	17.15	VALVE (.003 O.S.)
73-79	Y (350) W/SP. H/PER.	3940913	1	17.15	VALVE (.015 O.S.)
73-79	Y (350) W/SP. H/PER.	3940914	1	17.15	VALVE (.030 O.S.)
73-74	Y (454)	3931006	1	12.30	VALVE (STD)
73-74	Y (454)	3931097	1	12.30	VALVE (.003 O.S.)
73-74	Y (454)	3931098	1	12.30	VALVE (.015 O.S.)
73-74	Y (454)	3931099	1	12.25	VALVE (.030 O.S.)
75-79	Y (350)	3995602	1	12.30	VALVE (.0035 O.S.)
76-79	Y (350) (EXC. SP. H/PER.)	3995603	1	12.30	VALVE (.015 O.S.)
76-79	Y (350) (EXC. SP. H/PER.)	14033180	1	12.65	VALVE (.030 O.S.)
76-79	Y (350) (EXC. SP. H/PER.)	14037636	1		VALVE (STD)
80-81	Y (305, 350)	14033159	8	12.65	VALVE (.0155 O.S.)
80-81	Y (305, 350)	14037636	8	N.L.	VALVE (STD)
80-81	Y (350)	14033180	8	12.65	VALVE (.0305 O.S.)
80	Y (350, 305)	3995602	1	12.30	VALVE (.0035 O.S.)
81	Y (350)	14033158	8	12.65	VALVE (.0035 O.S.)
82	Y (5.7-8)	14033158	8	12.65	VALVE (.0035 O.S.)
82	Y (5.7-8)	14033159	8	12.65	VALVE (.0155 O.S.)
82	Y (5.7-8)	14033160	8	12.65	VALVE (.0305 O.S.)
82	Y (5.7-8)	11037636	8	N.L.	VALVE (STD)

0.303 SHIM -SPRING-SPRING KIT, Engine Valve

NOTE 1: WHEN USING 3970627 IT IS NECESSARY TO DISCARD THE VALVE SPRING CAP AND VALVE STEM OIL SEAL WHICH WERE USED WITH 1ST DESIGN SPRING.

NOTE 2: TO BE USED IN PLACE OF VALVE STEM OIL SHIELD WHEN REMOVED AT CUSTOMERS REQUEST.

55-74	Y (8 CYL.) (EXC. H.L. CAM, 396, 427, 454)	3731058	16	.41	SHIM (55/64 I.D. X 1 15/64 O.D. X 1/2" THICK) (NOTE 2)
66	Y (396) W/SP. H/PER.	3864904	16	.41	SHIM (45/64 I.D. X 1 3/64 THICK)
66-74	Y (427, 454)	3875916	16	.43	SHIM, SPRING (45/64" I.D. X 1 31/64" O.D. X 1/64" THICK)

ENGINE

0.303 SHIM -SPRING-SPRING KIT, Engine Valve (Con't)

67-69	Y (427) W/H.D., AL. CYL. AND CASE	3891521	16	.66	SHIM, SPRING
55-66	Y (8 CYL.) (EXC. 396, 427)	3735381	16	2.85	SPRING, W/DAMPER, INT AND EXH (2 YELLOW STRIPES PLUS MAROON, ALUM., DK. GREEN, BLACK, BLUE AND WHITE, OR TAN STRIPE)
67-72	Y (283, 327, 350)	3911068	16	2.75	SPRING, W/DAMPER
67-69	Y (427) W/H.D., AL. CYL. AND CASE	3916164	16	0.85	SPRING, W/DAMPER
73-77	Y (350) (EXC. SP. H/PER.)	6263796	8	2.90	SPRING, W/DAMPER
73-74	Y (454)	353075	16	4.20	SPRING, W/DAMPER
75-77	Y (350) W/SP. H/PER.	3911068	16	2.75	SPRING, W/DAMPER
78-81	Y	3911068	16	2.75	SPRING, W/DAMPER
82	Y (5.7-8)	3911068	16	2.75	SPRING, W/DAMPER
65	Y (396) W/SP. H/PER.	3970627	16	5.10	SPRING KIT (NOTE 1)
66-72	Y (427, 454) (EXC. H.D.)	3970627	16	5.10	SPRING KIT (NOTE 1)

0.308 SEAL-SEAL KIT-SHIELD, Engine Valve

53-82	Y (EXC. 396, 427, 454)	3835333	AR	N.L.	SEAL, VLV STEM OIL ("O" RING TYPE)
65-74	Y (396, 427, 454)	460527	AR	N.L.	SEAL, VLV STEM OIL
81	Y (350)	460483	8	2.50	SEAL, W/RET, INL VLV STEM (STD. .003 O.S.)
81	Y (350)	14025567	8	.57	SEAL, EXH VLV STEM OIL (.0305 O.S.)
81	Y (350)	14037715	8	10.20	SEAL, W/RET, INL VLV STEM OIL (.015 O.S.)
81	Y (350)	14037716	8	10.20	SEAL, W/RET, INL VLV STEM OIL (.030 O.S.)
82	Y (5.7-8)	460483	8	2.50	SEAL, W/RET, INL VLV STEM (STD. .003 O.S.)
82	Y (5.7-8)	14025563	8	.57	SEAL, EXH VLV STEM OIL (STD. .0035, .0155 O.S.)
82	Y (5.7-8)	14025567	8	.57	SEAL, EXH VLV STEM OIL (.0305 O.S.)
82	Y (5.7-8)	14037715	8	10.20	SEAL, W/RET, INL VLV STEM OIL (.015 O.S.)
82	Y (5.7-8)	14037716	8	10.20	SEAL, W/RET, INL VLV STEM OIL (.030 O.S.)
81	Y (350)	14033547	1	30.50	SEAL KIT, VLV STEM
82	Y (5.7-8)	14033547	1	30.50	SEAL KIT, VLV STEM
55-79	Y (8 CYL.)	3836755	AR	.45	SHIELD, VLV STEM OIL
80-81	Y (305, 350)	10007818	16	.53	SHIELD, VLV STEM OIL
82	Y (5.7-8)	10007818	16	.53	SHIELD, VLV STEM OIL

0.309 CAP-ROTATOR, Engine Valve Spring

NOTE 1: FOR 2ND DESIGN APPLICATION SEE 3964264 CAP ASM., GROUP 0.309.
 NOTE 2: 1ST DESIGN VEHICLE REQUIRED A CAP AND SEAL WHILE 2ND DESIGN VEHICLE REQUIRES 3964264 CAP ASM.

55-66	Y (EXC. 396, 427)	3729353	AR	.84	CAP, INT AND EXH (1 3/16 O.D.) (STAMPED "H")
65	Y (396) W/SP. H/PER.	3864900	16	.84	CAP (STAMPED "O")
66-69	Y (427) (EXC. H.D.) (1ST DESIGN)	3859909	16	.84	CAP, INT AND EXH (1 13/32" O.D.) (STAMPED "T") (NOTE 1)
67-78	Y (327, 350)	14003974	AR	.84	CAP, VLV SPRING, INT (1 3/32" O.D.) (STAMPED "A")
67-69	Y (427) W/H.D., AL. CYL. AND CASE	3879613	16	4.20	CAP, VLV SPRING
69-72	Y (427, 454) (EXC. H.D.) (2ND DESIGN)	3964264	16	1.20	CAP, W/DEFLECTOR (NOTE 2)
71-72	Y (454)	3999199	8	.90	CAP, INT VLV SPRING (.41 HIGH)
73-74	Y (454)	3864900	16	.84	CAP (STAMPED "O")
75-81	Y (305, 350)	14003974	8	.84	CAP, INL VLV SPRING
82	Y (5.7-8)	14003974	8	.84	CAP, INL VLV SPRING
73-74	Y (454)	330848	8	5.00	ROTATOR, EXH VLV
75-81	Y (305, 350)	6263794	8	4.55	ROTATOR, EXH VLV
82	Y (5.7-8)	6263794	8	4.55	ROTATOR, EXH VLV

0.310 KEY, Engine Valve Spring

53-82	Y (EXC. 396, 427, 454)	3947770	32	.43	KEY (PURPLE)
65-74	Y (396, 427, 454)	3947880	32	.43	KEY (GREEN)

0.333 ARM-ARM KIT, Engine Valve Rocker

55-82	Y (8 CYL.) (EXC. 396, 427, 454)	3974290	16	N.L.	ARM, W/BALL
69	Y (427) W/AL. CYL. AND CASE	3959182	16	7.65	ARM (STAMPED "H")
69-70	Y (427, 454) W/H.D. (2ND DESIGN)	3959182	16	7.65	ARM (STAMPED "H")

ENGINE

0.333 ARM-ARM KIT, Engine Valve Rocker (Con't)

71	Y (454) W/SP. H/PER.	3959182	16	7.65	ARM (STAMPED "H")
65-69	Y (396, 427) W/SP. H/PER.	6258611	16	N.L.	ARM KIT, W/BALL AND NUT
67-69	Y (427) W/H.D. (1ST DESIGN)	6258611	16	N.L.	ARM KIT, W/BALL AND NUT
63-69	Y (427) (EXC. SP. H/PER., H.D., AL. CYL. AND CASE)	6258611	16	N.L.	ARM KIT, W/BALL AND NUT
70	Y (454) (EXC. H.D.)	6258611	16	N.L.	ARM KIT, W/BALL AND NUT
71-72	Y (454) W/H/PER.	6258611	16	N.L.	ARM KIT, W/BALL AND NUT
73-74	Y (454)	6258611	16	N.L.	ARM KIT, W/BALL AND NUT

0.353 SHAFT, Valve Rocker Arm

NOTE 1: WHEN USED ON MODELS PRIOR TO 1954, FOUR 9411925 BOLTS AND TWO 3835659 STUDS ARE REQUIRED.

63-55	Y (6 CYL.)	3836138	2	8.80	SHAFT (2 GROOVES ON PLUG END) (NOTE 1)
-------	------------	---------	---	------	--

0.386 COVER-COVER KIT-EMBLEM-GROMMET, Engine Valve Rocker Arm

NOTE 1: MAY BE USED WITH OR WITHOUT CLOSED VENT.

NOTE 2: WHEN USING ON CLOSED VENT. EQUIPPED VEHICLES IT WILL BE NECESSARY TO REMOVE CENTER FROM GROMMET TO PERMIT ASSEMBLING OF FRESH AIR CONNECTOR INTO SIDE OF COVER.

56-59	Y W/DUAL 4BC, F.I.	3726086	2	22.95	COVER, CAST ALUMINUM (CORVETTE NA [UNBOSSSED])
59-61	Y W/4BC	3910298	2	15.90	COVER, RH OR LH
62-67	Y (327) (EXC. SP. H/PER., F.I.)	3910298	2	15.90	COVER, RH OR LH
66	Y (427) W/SP. H/PER.	325174	RH	41.50	COVER (CHROME)
60	Y (427) W/SP. H/PER.	3908923	LH	45.25	COVER (CHROME) (ALUM HD)
67	Y (427) (EXC. SP. H/PER., A.I.R.)	338262	RH	24.75	COVER
67	Y (427) W/SP. H/PER. (EXC. A.I.R.)	325174	RH	41.50	COVER (CHROME)
67	Y (427) W/SP. H/PER., A.I.R.	3902390	RH	45.25	COVER (CHROME PLATE) (ALUM HD)
67	Y (427) W/SP. H/PER.	3908923	LH	45.25	COVER (CHROME) (ALUM HD)
68	Y (327) (EXC. SP. H/PER.)	6272227	2	21.85	COVER
68	Y (327) W/SP. H/PER.	3923226	2	37.75	COVER (CHROME)
68-69	Y (427)	325174	RH	41.50	COVER (CHROME)
68-70	Y (427, 454)	325169	LH	43.75	COVER (CHROME)
69-73	Y (350) (EXC. H/PER., SP. H/PER.)	6272227	2	21.85	COVER
69	Y (350) W/H/PER.	474207	LH	59.75	COVER, W/OIL FILLER CAP
69-77	Y (350) W/H/PER., SP. H/PER.	474208	RH	59.75	COVER
70-77	Y (350) W/H/PER., SP. H/PER.	474207	LH	59.75	COVER, W/OIL FILLER CAP
70	Y (454)	325174	RH	41.50	COVER (CHROME)
71-72	Y (454)	338261	LH	24.65	COVER
71-74	Y (454)	338262	RH	24.75	COVER
73-76	Y (EXC. 454, SP. H/PER.)	14025551	RH	20.15	COVER
74-77	Y (350) (EXC. SP. H/PER.)	14025552	LH	21.95	COVER
77-80	Y (305, 350) (EXC. SP. H/PER.)	14025551	RH	20.15	COVER
78-79	Y (350) (EXC. SP. H/PER.)	464677	LH	21.60	COVER
78-80	Y (350) W/SP. H/PER.	14025553	LH	65.00	COVER
78-80	Y (350) W/SP. H/PER.	14025554	RH	65.00	COVER
80	Y (305)	14025552	LH	21.95	COVER
80	Y (305) (EXC. SP. H/PER.)	14095094	LH	21.60	COVER
81-82	Y	14025553	LH	65.00	COVER
81-82	Y	14025554	RH	65.00	COVER
59-61	Y (EXC. 4BC)	3767493	2	20.45	COVER KIT
62-67	Y (327) W/SP. H/PER., F.I.	3767493	2	20.45	COVER KIT
69-82	Y	3946860	2	1.35	EMBLEM, CVR
65-69	Y	3894337	1	.35	GROMMET, COVER TO A/CL (15/16 ID X 1 7/32 OD) (1.745) (NOTE 1, 2)
72	Y (454) W/H/PER.	3894337	1	.35	GROMMET, COVER TO A/CL (15/16 ID X 1 7/32 OD) (1.745) (NOTE 1, 2)

0.413 BOLT-REINFORCEMENT -STUD, Engine Valve Rocker Arm Cover

NOTE 1: USE WITH BOLT 180016.

64-82	Y	388708	AR	.30	BOLT, FLG HEX (1/4-20 X 9/16, 275M)
78	Y	460578	8	.36	BOLT (1/4-20 X .440)
80	Y (305, 350) (EXC. SP. H/PER.)	460578	7	.36	BOLT (1/4-20 X .440)
54-77	Y	3877670	AR	.28	REINFORCEMENT (1 1/2 O.L.) (NOTE 1)
80	Y (305, 350) (EXC. SP. H/PER.) (01.428)	6270052	RH	.40	STUD, VLV RKR CVR (RR-OUTBOARD)

0.423 GASKET-SEALANT, Engine Valve Rocker Arm Cover

NOTE: FOR 1978-81, SEALER IS USED IN PLACE OF VALVE ROCKER COVER GASKET.

54-55	Y (6 CYL.)	3708648	1	4.05	GASKET (CORK-1.4 THICK)
55-77	Y (EXC. 396, 427, 454)	3933964	2	N.L.	GASKET

ENGINE

0.423 GASKET-SEALANT, Engine Valve Rocker Arm Cover (Con't)

65-74	Y (396, 427, 454)	3860315	2	N.L.	GASKET (21 31/32 O.L. X 6 11/16 WIDE) (6 TABS)
81-82	Y	1052366	AR	7.35	SEALANT, VLV RKR CVR(C.800)

0.426 ROD, Engine Valve Push

NOTE 1: MAY ALSO BE USED ON ALL PAST MODEL 283 CU. IN. HIGH PERFORMANCE ENGINES IF IMPROVED DURABILITY IS REQUIRED.

NOTE 2: BLUE STRIPE, BUT MAY ALSO HAVE BLACK STRIPE AT ONE END.

NOTE 3: COLOR MARKED END TO BE AT VALVE ROCKER ARM.

NOTE 4: 1ST DESIGN ENGINES WILL BE BUILT PRIOR TO 9-1-66 AND WILL BE IDENTIFIED ON THE ENGINE STAMP PAD BY T08 PLUS THE DAY BUILT.

55-82	Y (EXC. 396, 427, 454)	3796243	16	4.45	ROD (7 25/32 O.L.) (NOTE 1...2...3)
65-66	Y (396, 427)	3946067	8	3.80	ROD, INT (8 7/32 O.L.)
65-66	Y (396, 427)	3946069	8	3.80	ROD, EXH (9 3/16 O.L.) (NOTE 4)
67	Y (427) (EXC SP. H/PER.) (1ST DES)	346280	8	2.80	ROD, INT (8 7/32 O.L.) (NOTE 4)
67	Y (427) (EXC SP. H/PER.) (1ST DES)	346282	8	2.80	ROD, EXH (9 3/16 O.L.) (NOTE 4)
67	Y (427) (EXC. SP. H/PER.)	3946067	8	3.80	ROD, INT (8 7/32 O.L.)
67	Y (427) (EXC SP. H/PER.) (2ND DES)	3946069	8	3.80	ROD, EXH (9 3/16 O.L.) (NOTE 4)
67-69	Y (427) W/SP. H/PER.	3946067	8	3.80	ROD, INT (8 7/32 O.L.)
67-69	Y (427) W/SP. H/PER.	3946069	8	3.80	ROD, EXH (9 3/16 O.L.) (NOTE 4)
69	Y (427) W/H.D., AL. CYL. AND CASE	3942415	8	4.65	ROD, EXH
69	Y (427) W/H.D., AL. CYL. AND CASE	3942416	8	4.65	ROD, INT
70-72	Y (454)	3946069	8	3.80	ROD, EXH (9 3/16 O.L.) (NOTE 4)
70-72	Y (454) (EXC. H.D.)	3946067	8	3.80	ROD, INT (8 7/32 O.L.)
73-74	Y (454)	346280	8	2.80	ROD, INT (8 7/32 O.L.) (NOTE 4)
73-74	Y (454)	346282	8	2.80	ROD, EXH (9 3/16 O.L.) (NOTE 4)

0.429 BALL-NUT-SCREW -STUD, Engine Valve Adjusting

65-74	Y (396, 427, 454)	5232762	16	.84	BALL, VLV RKR ARM (61/64 DIA)
70-81	Y (305, 350)	3959142	16	.76	BALL, RKR ARM (13/16 DIA)
82	Y (5.7-E)	3959142	16	.76	BALL, RKR ARM(13/16 DIA)
55-81	Y (EXC. 396, 427, 454)	3744341	16	.54	NUT, VLV RKR ARM (3/8-24) (5/8 ACROSS THE FLATS X 1/2 THK.)
65-74	Y (396, 427, 454)	3896648	16	.54	NUT, VLV RKR ARM (7/8-20)
82	Y (5.7-8)	3744341	16	.54	NUT, VLV RKR ARM(3/8-24)(5/8 X 1/2)
53-55	Y (6 CYL.)	837385	16	.35	SCREW (7, 16-20 X 1 9/32 BALL END)
57-62	Y (8 CYL.)	3814692	16	1.15	STUD, VLV RKR ARM BALL (.003 O.S.-LIGHT BLUE PAINT)
57-62	Y (8 CYL.)	3815892	16	1.15	STUD, VLV RKR ARM BALL (.013 O.S.-BLUE PAINT)
63-69	Y (EXC. 396, 427)	3814692	16	1.15	STUD, VLV RKR ARM BALL (.003 O.S.-LIGHT BLUE PAINT)
63-69	Y (EXC. 396, 427)	3815892	16	1.15	STUD, VLV RKR ARM BALL (.013 O.S.-BLUE PAINT)
65-74	Y (396, 427, 454)	3921912	16	1.20	STUD, VLV RKR ARM BALL
70-80	Y (305, 350) W/SP. H/PER.	3973416	16	1.15	STUD, VLV RKR ARM BALL
70-79	Y (350) (EXC. SP. H/PER.)	3814692	16	1.15	STUD, VLV RKR ARM BALL (.003 O.S.-LIGHT BLUE PAINT)
70-79	Y (350) (EXC. SP. H/PER.)	3815892	16	1.15	STUD, VLV RKR ARM BALL (.013 O.S.-BLUE PAINT)
80-81	Y	3814692	AR	1.15	STUD, VLV RKR ARM (.003 O.S.)
80-81	Y	3815892	AR	1.15	STUD, VLV RKR ARM (.013 O.S.-BLUE PAINT)
82	Y (5.7-8)	3814692	AR	1.15	STUD, VLV RKR ARM BALL (.003 O.S.-LT BLUE PAINT)
82	Y (5.7-8)	3815892	16	1.15	STUD, VLV RKR ARM BALL (.013 O.S.-BLUE PAINT)

0.439 GUIDE, Engine Valve Push Rod

NOTE 1: 1ST DESIGN ENGINES WILL BE BUILT PRIOR TO 9-1-66 AND WILL BE IDENTIFIED ON THE ENGINE STAMP PAD BY T08 PLUS THE DAY BUILT.

65-66	Y (396, 427)	3860038	8	1.90	GUIDE (2 HOLES AND 2 "U" SLOTS) (NOTE 1)
67	Y (427) (EXC SP. H/PER.) (2ND DES)	3860038	8	1.90	GUIDE (2 HOLES AND 2 "U" SLOTS) (NOTE 1)
67	Y (427) (EXC. SP. H/PER.) (1ST DESIGN)	3904378	8	2.85	GUIDE (3/16 PUSH ROD SLOT 3/32 THICK) (NOTE 1)

ENGINE

0.439 GUIDE, Engine Valve Push Rod (Con't)					
67	Y (427) W/SP. H/PER.	3860038	8	1.90	GUIDE (2 HOLES AND 2 "U" SLOTS) (NOTE 1)
67	Y (427) W/H.D.	3879620	8	4.90	GUIDE
68-72	Y (427, 454) (EXC. H.D.)	3860038	8	1.90	GUIDE (2 HOLES AND 2 "U" SLOTS) (NOTE 1)
70-80	Y (305, 350) W/SP. H/PER.	3973418	8	1.30	GUIDE
73-74	Y (454)	3904378	8	2.85	GUIDE (3/16 PUSH ROD SLOT 3/32 THICK) (NOTE 1)
0.443 GASKET, Valve Push Rod Cover					
53-55	Y (6 CYL.)	3701542	1	2.45	GASKET (5 5/8 X 27 W/LOBE ON BOTTOM)
0.459 BALL-LIFTER, Engine Valve					
78-81	Y (EXC. SP. H/PER.)	453569	16	.43	BALL, HYD VLV LIFTER CHK (4.256)
55-65	Y (8 CYL.) W/HYD LIFTER (EXC. 396)	5232720	16	N.L.	LIFTER,
57-58	Y W/M.T., H.L. CAM	5231585	16	4.62	LIFTER, MECH TYPE (TWO PIECE BODY-2 HOLES IN BODY-SINGLE GROOVE AROUND BODY)
59-65	Y W/H.L. CAM	5231585	16	4.62	LIFTER, MECH TYPE (TWO PIECE BODY-2 HOLES IN BODY-SINGLE GROOVE AROUND BODY)
65-69	Y (396, 427) W/SP. H/PER., H.D.	5232695	16	5.15	LIFTER, MECH TYPE (2 O.L. X 27/32 O.D.)
66-69	Y (327, 350)	5232720	16	N.L.	LIFTER,
66	Y (427)	5232720	16	N.L.	LIFTER,
67-69	Y (427) (EXC. SP. H/PER.)	5232720	16	N.L.	LIFTER,
70-72	Y (350) (EXC. SP. H/PER.)	5232720	16	N.L.	LIFTER,
70-72	Y (350) W/SP. H/PER.	5231585	16	4.62	LIFTER, MECH TYPE (TWO PIECE BODY-2 HOLES IN BODY-SINGLE GROOVE AROUND BODY)
70-74	Y (454) (EXC. H.D.)	5232720	16	N.L.	LIFTER,
71	Y (454) W/SP. H/PER.	5232695	16	5.15	LIFTER, MECH TYPE (2 O.L. X 27/32 O.D.)
73-80	Y (305, 350)	5232720	16	N.L.	LIFTER,
81	Y (350)	5234315	16	N.L.	LIFTER,
82	Y (5.7-8)	5232720	16	N.L.	LIFTER,
0.519 CAMSHAFT, Engine					
57-61	Y (283) W/H.L. CAM	3736097	1	108.00	CAMSHAFT (IDENT NO 3736098)
57-66	Y (EXC. H.L. CAM, 396, 427)	14060651	1	108.00	CAMSHAFT (IDENT NO 3896930)
62-63	Y W/F.I., SP. H/PER.	3736097	1	108.00	CAMSHAFT (IDENT NO 3736098)
64-65	Y W/SP. H/PER., F.I., MECH. LIFTERS	3972178	1	108.00	CAMSHAFT
65-68	Y (327) W/SP. H/PER., HYD. LIFTERS	3863151	1	125.00	CAMSHAFT (IDENT NO 3863152)
65-69	Y (396, 427) W/SP. H/PER.	3863143	1	139.00	CAMSHAFT (IDENT NO 3863143)
65-66	Y (396, 427) W/H.D.	3925535	1	187.00	CAMSHAFT (CHAIN DRIVEN)
66-68	Y (427) (EXC. SP. H/PER. H.D.)	3883986	1	139.00	CAMSHAFT
67-69	Y (427) W/H.D.	3925535	1	187.00	CAMSHAFT (CHAIN DRIVEN)
67-80	Y (327, 350) (EXC. H/PER., SP. H/PER.)	14060651	1	108.00	CAMSHAFT (IDENT NO 3896930)
69-70	Y (350) W/H/PER.	3896962	1	108.00	CAMSHAFT
69	Y (427) (EXC. SP. H/PER., H.D., AL. CYL. AND CASE)	3883986	1	139.00	CAMSHAFT
69-70	Y (427) W/AL. CYL. AND CASE	3959180	1	171.00	CAMSHAFT
70-72	Y (350) W/SP. H/PER.	3972178	1	108.00	CAMSHAFT
70-72	Y (454) (EXC. H.D., SP. H/PER.)	3883986	1	139.00	CAMSHAFT
71	Y (454) W/SP. H/PER.	3863143	1	139.00	CAMSHAFT (IDENT NO 3863143)
73-80	Y (350) W/SP. H/PER.	3896962	1	108.00	CAMSHAFT
73-74	Y (454)	353040	1	120.00	CAMSHAFT
80	Y (305)	14060653	1	110.00	CAMSHAFT
81	Y (350)	14060651	1	108.00	CAMSHAFT,
82	Y (5.7)	14044613	1	138.00	CAMSHAFT,
0.533 BEARING, Engine Camshaft Thrust					
53-55	Y (6 CYL.)	3707916	1	2.95	BEARING, W/SPACING RING (FLAT ON 2 SIDES)
0.539 BEARING, Engine Camshaft					
55-76	Y (8 CYL.) (EXC. 396, 427, 454)	474005	1	15.35	BEARING (PRECISION TYPE) (STAMPED 1)
55-76	Y (8 CYL.) (EXC. 396, 427, 454)	474006	1	15.30	BEARING (PRECISION TYPE) (STAMPED 2)
55-76	Y (8 CYL.) (EXC. 396, 427, 454)	474007	AR	15.35	BEARING (PRECISION TYPE) (STAMPED 3 & 4)
65-74	Y (396, 427, 454)	3967808	1	5.25	BEARING (STAMPED 1)

ENGINE

0.539 BEARING , Engine Camshaft (Con't)

65-74	Y (396, 427, 454)	3967809	2	5.25	BEARING (STAMPED 3 & 4)
65-74	Y (396, 427, 454)	3967810	1	5.20	BEARING (STAMPED 2)
77-81	Y (305, 350)	474005	1	15.35	BEARING (STAMPED 1)
77-81	Y (305, 350)	474006	1	15.30	BEARING (STAMPED 2)
77-81	Y (305, 350)	474007	2	15.35	BEARING (STAMPED 3 & 4)
82	Y (5.7-8)	474005	1	15.35	BEARING (PRECISION TYPE)(STAMPED 1)
82	Y (5.7-8)	474006	1	15.30	BEARING (PRECISION TYPE)(STAMPED 2)
82	Y (5.7-8)	474007	AR	15.35	BEARING (PRECISION TYPE) (STAMPED 3 & 4)

0.553 PLUG, Engine Camshaft Bearing

53-55	Y (6 CYL.)	3704158	1	.52	PLUG (2 1/8 DIA.)
57	Y (8 CYL.) (2ND DESIGN)	3704158	1	.52	PLUG (2 1/8 DIA.)
58	Y	3704158	1	.52	PLUG (2 1/8 DIA.)
60-71	Y (EXC. 396, 427, 454)	3704158	1	.52	PLUG (2 1/8 DIA.)
65-74	Y (396, 427, 454) (EXC. AL. CYL. AND CASE)	3859926	1	.52	PLUG (2 7/32 DIA. X 1/4 THK)

0.603 ROD, Engine Piston

NOTE 1: SOME EARLY 1968 (32") MODELS USED 1967 ENGINES BUILT TO 1968 SPEC. REFER TO NOTE 4 GROUP 0.033.

NOTE 2: USE WITH 2.00 INCH DIA. STANDARD CRANKSHAFT PINS.

62-67	Y (327)	3864881	8	30.25	ROD. (NOTE 2)
62-67	Y (327)	14031310	8	36.50	ROD. (NOTE 1)
65-69	Y (396, 427) W/SP. H/PER.	3856240	8	52.00	ROD (IDENT RIB ON CONN ROD CAP) (BLUE)
65-69	Y (396, 427) (EXC. SP. H/PER. H.D., AL. CYL. AND CASE)	14015328	8	38.25	ROD (ORANGE)
67	Y (427) W/H.D.	3909846	8	98.25	ROD (PINK)
68-80	Y (305, 350) (EXC. H/PER., SP. H/PER.)	14031310	8	36.50	ROD (NOTE 1)
68	Y (427) W/H.D. (1ST DES)	3909846	8	98.25	ROD (PINK) (3/8 BOLT)
68	Y (427) W/H.D. (2ND DES)	3969804	8	189.00	ROD (7/16 BOLT)
69	Y (350) W/SP. H/PER.	3946841	8	85.25	ROD
69-80	Y (350) W/H/PER., SP. H/PER.	14095071	8	85.25	ROD
69	Y (427) W/H.D., AL. CYL. AND CASE	3969804	8	189.00	ROD
70-74	Y (454) (EXC. H.D., SP. H/PER.)	14015328	8	38.25	ROD (ORANGE)
71	Y (454) W/SP. H/PER.	3963552	8	75.50	ROD
81-82	Y (350)	14031310	8	36.50	ROD

0.616 BEARING KIT , Engine Connecting Rod

NOTE 1: ALUMINUM M-420.

NOTE 2: ALUMINUM M-400.

NOTE 3: SOME EARLY 1968 (327) MODELS USE 1967 ENGINES, BUILT TO 1968 SPEC. REFER TO NOTE 4 IN GROUP 0.033.

NOTE 4: USE WITH 2.01 INCH DIA. STANDARD CRANKSHAFT PINS.

53-55	Y (6 CYL.)	3704856	1	7.15	BEARING KIT (STD)
55-61	Y (8 CYL.) (EXC. DUAL 4BC. F.I. W/H.L. CAM)	3715046	1	9.30	BEARING KIT (.002 U.S.)
55-61	Y (8 CYL.) (EXC. DUAL 4BC. F.I. W/H.L. CAM)	3715047	1	9.30	BEARING KIT (.020 U.S.)
55-61	Y (8 CYL.) (EXC. DUAL 4BC. F.I. W/H.L. CAM)	3715048	1	9.30	BEARING KIT (.010 U.S.)
55-61	Y (8 CYL.) (EXC. DUAL 4BC. F.I. W/H.L. CAM)	18009469	1	7.15	BEARING KIT (STD)
56-57	Y	3711828	1	9.25	BEARING KIT (STD) (NOTE 2)
56-57	Y	3715045	1	9.20	BEARING KIT (.001 U.S.)
56-57	Y	3715046	1	9.30	BEARING KIT (.002 U.S.)
56-57	Y	3715047	1	9.30	BEARING KIT (.020 U.S.) (NOTE 1)
56-57	Y	3715048	1	9.30	BEARING KIT (.010 U.S.) (NOTE 1)
56-57	Y	3711828	1	9.25	BEARING KIT (STD) (NOTE 2)
58-61	Y (283) W/H.L. CAM	3715045	1	9.20	BEARING KIT (.001 U.S.)
58-61	Y (283) W/H.L. CAM	3715046	1	9.30	BEARING KIT (.002 U.S.)
58-61	Y (283) W/H.L. CAM	3715047	1	9.30	BEARING KIT (.020 U.S.) (NOTE 1)
58-61	Y (283) W/H.L. CAM	3715048	1	9.30	BEARING KIT (.010 U.S.) (NOTE 1)
58-61	Y (283) W/H.L. CAM	3711828	1	9.25	BEARING KIT (STD) (NOTE 2)
62-67	Y (327)	3715045	1	9.20	BEARING KIT (.001 U.S.)
62-67	Y (327)	3715046	1	9.30	BEARING KIT (.002 U.S.)
62-67	Y (327)	3715047	1	9.30	BEARING KIT (.020 U.S.) (NOTE 1)
62-67	Y (327)	3715048	1	9.30	BEARING KIT (.010 U.S.) (NOTE 1)
64-81	Y (305, 327, 350)	3910555	8	N.L.	BEARING KIT (STD) (NOTE 2,3,4)
64-81	Y (305, 327, 350)	3910556	8	7.15	BEARING KIT (.001 U.S.) (NOTE 2,3,4)
64-81	Y (305, 327, 350)	3910557	8	7.20	BEARING KIT (.002 U.S.) (NOTE 2,3,4)

ENGINE

0.616 BEARING KIT , Engine Connecting Rod (Crr't)					
64-81	Y (305, 327, 350)	3910558	8	8.65	BEARING KIT (.010 U.S.) (NOTE 2,3,4)
64-81	Y (305, 327, 350)	3910559	8	8.65	BEARING KIT (.020 U.S.) (NOTE 2,3,4)
65-74	Y (396, 427, 454)	347002	1	N.L.	BEARING KIT (STD)
65-74	Y (396, 427, 454)	347003	1	9.30	BEARING KIT (.001 U.S.)
65-74	Y (396, 427, 454)	347004	1	10.50	BEARING KIT (.002 U.S.)
65-74	Y (396, 427, 454)	347005	1	11.30	BEARING KIT (.010 U.S.)
65-74	Y (396, 427, 454)	347006	1	15.55	BEARING KIT (.020 U.S.)
82	Y (5.7-8)	3910555	8	N.L.	BEARING KIT (STD)
82	Y (5.7-8)	3910556	8	7.15	BEARING KIT (.001 U.S.)
82	Y (5.7-8)	3910557	8	7.20	BEARING KIT (.002 U.S.)
82	Y (5.7-8)	3910558	8	8.65	BEARING KIT (.010 U.S.)
82	Y (5.7-8)	3910559	8	8.65	BEARING KIT (.020 U.S.)

0.623 BOLT , Engine Connecting Rod Cap					
65-68	Y (8 CYL.) (EXC. 396, 427)	460405	AR	1.80	BOLT (11/32-24 X 1 7/8)
65-69	Y (396, 427) (EXC H.D., AL. CYL & CASE)	3862720	16	1.30	BOLT (3/8-24 X 2 1/8) (KNURLED SHANK)
68-81	Y (305, 327, 350)	461372	16	1.30	BOLT (3/8-24 X 1 59/64)
70-74	Y (454) (EXC. H.D., SP. H/PER.)	3862720	16	1.30	BOLT (3/8-24 X 2 1/8) (KNURLED SHANK)
70	Y (454) W/H.D.	3981092	16	1.30	BOLT (7/16-20 X 2.28) (KNURLED SHANK)
71	Y (454) W/SP. H/PER.	3981092	16	1.30	BOLT (7/16-20 X 2.28) (KNURLED SHANK)
82	Y (5.7-8)	461372	16	1.30	BOLT (3/8-24 X 1 59/64)

0.626 NUT , Engine Connecting Rod Bolt					
<i>NOTE 1: ALSO USED WITH BOLTS NOT REQUIRING COTTER PINS.</i>					
55-67	Y (8 CYL.) (EXC. SP. H/PER., F.I., 396, 427)	527599	16	.57	NUT (11/32-24) (TYPE EA)
63-82	Y	225854	16	.35	NUT (3/8-24 X 3/8 THICK) (HEX NUT) (BOTH ENDS FLAT) (NOTE 1)
71	Y (454; W/SP. H/PER)	3942410	16	.59	NUT (7/16-20 X 7/16 THICK)

0.629 PISTON , Engine					
<i>NOTE: INDIVIDUAL PISTON ASSEMBLIES ARE AVAILABLE FOR WARRANTY PURPOSES AND FOR REPLACEMENT OF PISTONS DAMAGED WHEN MAKING REPAIRS TO ENGINE ASSEMBLIES. WHEN ORDERING SUCH PARTS IT IS NECESSARY THAT YOU SPECIFY ON YOUR ORDER THE REASON THE PARTS ARE REQUIRED AND ALSO THAT THE FOLLOWING NOTE APPEARS ON YOUR ORDER: "DO NOT SHIP UNIT PACKAGE QUANTITY."</i>					

57-61	Y (283) (EXC. F.I. W/H.L. CAM)	3860407	1	33.50	PISTON (STD)
62-68	Y (327) (EXC. SP. H/PER., F.I.)	3799491	1	32.75	PISTON (STD)
62-68	Y (327) (EXC. SP. H/PER., F.I.)	3799494	1	34.75	PISTON (.030 O.S.)
62-65	Y (327) W/SP. H/PER., F.I.	3850139	1	52.75	PISTON (.030 O.S.)
62-65	Y (327) W/SP. H/PER., F.I.	3871208	1	52.75	PISTON (STD)
65	Y (396) W/SP. H/PER.	3878231	1	71.00	PISTON (STD)
66-68	Y (327) W/SP. H/PER.	3850139	1	52.75	PISTON (.030 O.S.)
66-68	Y (327) W/SP. H/PER.	3871208	1	52.75	PISTON (STD)
66-69	Y (427) (EXC. SP. H/PER. H.D. ALUM. CYL. AND CASE)	3888327	LH	50.00	PISTON (STD)
66-69	Y (427) (EXC. SP. H/PER. H.D. ALUM. CYL. AND CASE)	3888328	RH	50.00	PISTON (STD)
66-69	Y (427) W/SP. H/PER.	3888342	1	64.75	PISTON (STD)
66-69	Y (427) W/SP. H/PER.	3888344	1	64.75	PISTON (.030 O.S.)
66-68	Y (427) W/H.D.	3909857	1	72.25	PISTON (STD)
69-70	Y (350) (EXC. H/PER., SP. H/PER.)	3911020	1	50.00	PISTON (STD)
69-70	Y (350) (EXC. H/PER., SP. H/PER.)	3911021	1	50.00	PISTON (.001 O.S.)
69-70	Y (350) (EXC. H/PER., SP. H/PER.)	3911023	1	50.00	PISTON (.030 O.S.)
69-70	Y (350) W/H/PER., SP. H/PER.	3942541	1	71.75	PISTON (STD)
69-70	Y (350) W/H/PER., SP. H/PER.	3942542	1	64.50	PISTON (.001 O.S.)
69-70	Y (350) W/H/PER., SP. H/PER.	3942543	1	64.50	PISTON (.030 O.S.)
69	Y (427) W/H.D.	3959105	1	80.75	PISTON (STD)
69	Y (427) W/ALUM. CYL. & CASE	3959105	1	80.75	PISTON (STD)
69	Y (427) W/H.D.	3959107	1	80.75	PISTON (.030 O.S.)
69	Y (427) W/ALUM. CYL. & CASE	3959107	1	80.75	PISTON (.030 O.S.)
70	Y (350) W/SP. H/PER.	3989048	1	68.50	PISTON (STD)
70	Y (350) W/SP. H/PER.	3989051	1	68.50	PISTON (.030 O.S.)
70	Y (454) (EXC. H.D.)	3976027	LH	70.75	PISTON (.030 O.S.)
71-73	Y (350) W/SP. H/PER.	336754	1	68.50	PISTON (STD) (3.9959-3.9969 DIA)
71-80	Y (350) W/SP. H/PER.	474191	1	71.00	PISTON (STD HI-LIMIT) (3.9990-4.0000 DIA)
71-80	Y (350) W/SP. H/PER.	474192	1	71.00	PISTON (.030 O.S.)
71	Y (454) W/SP. H/PER.	6262976	1	91.00	PISTON (STD)
71	Y (454) W/SP. H/PER.	6262977	1		PISTON (.001 O.S.)
71	Y (454) W/SP. H/PER.	6262979	1	126.00	PISTON (.030 O.S.)

MICROFICHE INDEX
GROUPS 0.000 THRU 2.000 & 21.000
FICHE 1 OF 6

GROUP DESCRIPTION	STARTING GRID LOCATION	
	PARTS	ILLUSTRATIONS
- INTRODUCTION	A-6	J-2
- GENERAL INFORMATION	A-2	J-2
- ALPHABETICAL INDEX	C-11	N.A.
- INDEX FOR ADDITIONAL INFORMATION	A-5	N.A.
0.000 ENGINE - CLUTCH	D-12	J-6
1.000 COOLING - GRILLE - OIL SYSTEM	E-11	K-15
2.000 CHASSIS WIRING - LAMPS	G-13	L-7
21.000 ACCESSORY REFERENCE LIST	D-9	N.A.
- OUT OF FICHE CALLS	N.A.	N-2

E-1

ENGINE

0.629 PISTON , Engine (Con't)					
72	Y (350) (EXC. SP. H/PER.)	3991488	1	48.50	PISTON (STD)
72	Y (350) (EXC. SP. H/PER.)	3991489	1	44.00	PISTON (.001 O.S.)
72	Y (350) (EXC. SP. H/PER.)	3991491	1	44.00	PISTON (.030 O.S.)
72	Y (454) (EXC. SP. H/PER.)	353058	1	68.50	PISTON (STD)(4.2487-4.2497 DIA)
72	Y (454) (EXC. SP. H/PER.)	353059	1	68.50	PISTON (STD HI LIMIT) (4.2497-4.2507 DIA)
72	Y (454) (EXC. SP. H/PER.)	353061	1	68.50	PISTON (.030 O.S.)
73-80	Y (350) (EXC. SP. H/PER.)	329238	1	50.00	PISTON (.030 O.S.)
73-80	Y (350) (EXC. SP. H/PER.)	6271097	1	50.00	PISTON (STD)(3.9998-4.0008 DIA)
73-80	Y (350) (EXC. SP. H/PER.)	6271098	1	50.00	PISTON (STD HI LIMIT) (4.0008-4.0018 DIA)
73	Y (454)	353058	1	68.50	PISTON (STD)(4.2487-4.2497 DIA)
73	Y (454)	353059	1	68.50	PISTON (STD HI LIMIT) (4.2497-4.2507 DIA)
73	Y (454)	353061	1	68.50	PISTON (.030 O.S.)
74-77	Y (350) W/SP. H/PER.	336754	1	68.50	PISTON (STD)(3.9959-3.9969 DIA)
74	Y (454)	340206	1	68.50	PISTON (STD)
74	Y (454)	340208	1	68.50	PISTON (.030 O.S.)
78-80	Y (350) W/SP. H/PER.	474190	1	71.00	PISTON (STD)(3.9980-3.9990 DIA)
80	Y (305)	364702	1	39.25	PISTON (STD)(3.7358-3.7368)
80	Y (305)	364703	1	39.25	PISTON (STD HI LIMIT)(3.7368-3.7378)
80	Y (305)	364704	1	41.75	PISTON (.030 O.S.)
81	Y (350)	329238	1	50.00	PISTON (.030 O.S.)
81	Y (350)	6271097	1	50.00	PISTON (STD)(3.9998-4.0008 DIA)
81	Y (350)	6271098	1	50.00	PISTON (STD HI LIMIT) (4.0008-4.0018 DIA)
82	Y (5.7-8)	474190	8	71.00	PISTON (STD)(3.9980-3.9990 DIA)
82	Y (5.7-8)	474191	8	71.00	PISTON (STD HI LIMIT) (3.9990-4.0000 DIA)
82	Y (5.7-8)	474192	8	71.00	PISTON (.030 O.S.)

0.639 RETAINER, Engine Piston Pin

67-69	Y (427) W/H.D., AL. CYL. AND CASE	3942423	16	1.55	RETAINER
69	Y (350) W/4-SPD., SP. H/PER.	3946848	16	.54	RETAINER

0.643 RING KIT , Engine Piston

NOTE 1: INDIVIDUAL CYLINDER REPLACEMENT UNIT ONLY.

NOTE 2: CROMFLEX RING SET HAVING CHROME-PLATED OIL RINGS, TOP COMPRESSION RING, AND CHROME-PLATED RAIL FOR MIDDLE COMPRESSION RING.

57-58	Y (EXC. F.I. W/H.L. CAM)	328503	1	13.70	RING KIT (.030 O.S.) (NOTE 1)
57-61	Y (283)	326400	1	N.L.	RING KIT (STD) (NOTE 2)
57-61	Y W/F.I., H.L. CAM	328503	1	13.70	RING KIT (.030 O.S.) (NOTE 1)
59-61	Y (EXC. H.L. CAM)	328503	1	13.70	RING KIT (.030 O.S.) (NOTE 1)
59-61	Y W/DUAL 4BC, H.L. CAM	328503	1	13.70	RING KIT (.030 O.S.) (NOTE 1)
62-81	Y (327, 350)	328506	8	N.L.	RING KIT (STD) (NOTE 1)
62-81	Y (327, 350)	328516	8	14.95	RING KIT (.030 O.S.) (NOTE 1)
65	Y (396) W/SP. H/PER.	328521	1	14.85	RING KIT (STD) (NOTE 1)
65	Y (396) W/SP. H/PER.	328526	1	15.90	RING KIT (.030 O.S.) (NOTE 1)
66-69	Y (427) (EXC. H.D., ALUM. CYL. AND CASE)	475987	1	N.L.	RING KIT (STD) (NOTE 1)
66-69	Y (427) (EXC. H.D., ALUM. CYL. AND CASE)	475989	1	14.85	RING KIT (.030 O.S.)
67-68	Y (427) W/H.D.	3993828	1	18.45	RING KIT (STD)
67-68	Y (427) W/H.D.	3993830	1	18.45	RING KIT (.030 O.S.)
67-68	Y (427) W/H.D.	3993831	1	18.45	RING KIT (.060 O.S.)
69	Y (427) W/H.D., ALUM. CYL. AND CASE	3993828	1	18.45	RING KIT (STD)
69	Y (427) W/H.D., ALUM. CYL. AND CASE	3993830	1	18.45	RING KIT (.030 O.S.)
70-72	Y (454) (EXC. H.J.)	475987	1	N.L.	RING KIT (STD) (NOTE 1)
70-72	Y (454) (EXC. H.D.)	475989	1	14.85	RING KIT (.030 O.S.)
73-74	Y (454)	475987	1	N.L.	RING KIT (STD) (NOTE 1)
73-76	Y (454)	475989	1	14.85	RING KIT (.030 O.S.)
80	Y (305)	370409	1	N.L.	RING KIT (STD) (NOTE 1)
80	Y (305)	370419	1	13.75	RING KIT (.030 O.S.) (NOTE 1)
82	Y (5.7-8)	328506	8	N.L.	RING KIT (STD) (NOTE 1)
82	Y (5.7-8)	328516	8	14.95	RING KIT (.030 O.S.) (NOTE 1)

0.646 CRANKSHAFT, Engine

NOTE 1: WHEN USED ON A.T. IT WILL BE NECESSARY TO REMOVE THE PILOT BEARING.

NOTE 2: SOME EARLY 1968 (327) MODELS USE 1967 ENGINES, BUILT TO 1968 SPEC. REFER TO NOTE 2 IN GROUP 0.033.

NOTE 3: WITH STANDARD SIZE CRANKSHAFT MAIN BEARING JOURNALS AS FOLLOWS - POSITION #1-2-3-4 2.299 INCH DIA. AND REAR POSITION #5 2.430 INCH DIA.

ENGINE

0.646 CRANKSHAFT, Engine (Con't)

NOTE 4: WITH STANDARD SIZE CRANKSHAFT MAIN BEARING JOURNALS AS FOLLOWS - POSITION
 #1-2-3-4 2.449 INCH DIA. AND REAR POSITION #5 2.448 INCH DIA.

NOTE 5: MUST BE USED WITH PISTON AND PIN ASM., 3942541 OR 3942542 OR 3942543.

57-61	Y (8 CYL.)	3889303	1	332.00	CRANKSHAFT (NOTE 1)
62-67	Y (327) W/SP. H/PER., F.I.	3838495	1	401.00	CRANKSHAFT (IDENT NO 2680) (NOTE 3)
64-68	Y (327)	3941172	1	332.00	CRANKSHAFT (NOTE 4...3)
65	Y (396)	3882841	1	435.00	CRANKSHAFT (NOTE 1...3)
66-68	Y (427) (EXC. SP. H/PER., H.D.)	3882849	1	384.00	CRANKSHAFT (NOTE 1...3)
68	Y (327) (EXC. SP. H/PER.)	3930809	1	332.00	CRANKSHAFT (NOTE 1...2)
68-69	Y (427) W/H.D.	3967811	1	518.00	CRANKSHAFT (NOTE 1...2)
69-80	Y (350) (EXC. H/PER., SP. H/PER.)	3932444	1	332.00	CRANKSHAFT (NOTE 1...2)
69-80	Y (350) W/H/PER., SP. H/PER.	3941184	1	421.00	CRANKSHAFT (NOTE 1...5)
69	Y (427) (EXC. SP. H/PER., H.D., AL. CYL. AND CASE)	3982849	1	384.00	CRANKSHAFT (NOTE 1...5)
70	Y (454) W/A.T.	336782	1	384.00	CRANKSHAFT
71	Y (454) W/SP. H/PER.	3963523	1	512.00	CRANKSHAFT
71-72	Y (454) W/H/PER.	3993878	1	512.00	CRANKSHAFT
73-74	Y (454)	336782	1	384.00	CRANKSHAFT
80	Y (305)	361982	1	332.00	CRANKSHAFT (NOTE 1)
81-82	Y	3932444	1	332.00	CRANKSHAFT, (NOTE 1)

0.649 BEARING, Engine Crankshaft Clutch Pilot

53-81	Y W/M.T.	3752487	1	N.L.	BEARING (BUSH TYPE 19/32 I.D. 1 3/32 O.D. X 3/4)
-------	----------	---------	---	------	--

0.659 BALANCER-DAMPER-PULLEY, Engine Crankshaft

NOTE: IN SOME CASES DOUBLE GROOVE PULLEYS MAY BE USED IN PLACE OF SINGLE GROOVE PULLEYS.

NOTE 1: WHEN USING THIS PART USE 3883206 KEY.

57-61	Y	3896904	1	54.50	BALANCER
62-65	Y (FORGED CRANKSHAFT W/8 CYL.) (EXC. SP. H/PER., F.I., 396)	3896904	1	54.50	BALANCER
62-68	Y (327) W/F.I., SP. H/PER.	3817173	1	92.25	BALANCER, W/O PULLEY (HUB 8" O.D.) (NOTE 1)
65-69	Y (396, 427) W/SP. H/PER.	3860010	1	92.25	BALANCER, W/O PULLEY (8 O.D.)
65-69	Y (396, 427) (EXC. SP. H/PER., H.D., AL. CYL. AND CASE)	3860008	1	92.25	BALANCER
66	Y (4BC W/FORGED CRANKSHAFT) (327) (EXC. SP. H/PER.)	3896903	1	54.50	BALANCER,
67	Y (327) (EXC. SP. H/PER.)	3896903	1	54.50	BALANCER, W/O PULLEY
67-69	Y (427) W/H.D., AL. CYL. AND CASE	3879623	1	87.00	BALANCER
68	Y (327) (EXC. SP. H/PER.)	3914684	1	54.50	BALANCER
69-71	Y (350) (EXC. H/PER., SP. H/PER.)	6272222	1	N.L.	BALANCER
69-80	Y (350) W/H/PER., SP. H/PER.	6272224	1	92.25	BALANCER
70	Y (454) (EXC. H.D.)	3963529	1	92.25	BALANCER
71-72	Y (454) W/H/PER.	3963529	1	92.25	BALANCER
71	Y (454) W/SP. H/PER.	3963530	1	99.00	BALANCER
73-74	Y (454)	330849	1	54.50	BALANCER
72-79	Y (350) (EXC. SP. H/PER.)	6272221	1	54.50	DAMPER, TORSIONAL
80	Y (305, 350) (EXC. SP. H/PER.)	6272221	1	54.50	DAMPER, TORSIONAL
81	Y (350)	6272221	1	54.50	DAMPER, TORSIONAL
82	Y (5.7-8)	6272221	1	54.50	DAMPER, TORSIONAL
55-57	Y (8 CYL.) (EXC. A.C., DUAL 4BC, F.I.)	3755820	1	16.15	PULLEY,
58-61	Y	3756328	1	19.50	PULLEY
62	Y (EXC. SP. H/PER., F.I.)	3756328	1	19.50	PULLEY
62-65	Y W/SP. H/PER., F.I. (EXC. 396)	3958533	1	17.05	PULLEY (2 GROOVE-6 5/8 DIA.)
63-66	Y (EXC. H/PER., SP. H/PER., F.I., A.C.)	3744043	1	17.05	PULLEY (DOUBLE-6 5/8 O.D.-PAINTED BLACK)
63-65	Y W/P.S. (EXC. SP. H/PER.)	3744043	1	17.05	PULLEY (DOUBLE-6 5/8 O.D.-PAINTED BLACK)
64-66	Y (EXC. SP. H/PER., F.I., 427)	3850838	1	18.50	PULLEY (7 21/64 O.D.)
65-66	Y (396, 427) W/A.C.	3863108	1	61.25	PULLEY (2 GROOVES) (CAST)
66-67	Y (327) (EXC. A.C., SP. H/PER., A.I.R.)	3755820	1	16.15	PULLEY,
66-68	Y (327) W/SP. H/PER., A.C., P.S.	3850838	1	18.50	PULLEY (7 21/64 O.D.)
66-68	Y (327) W/SP. H/PER. (EXC. P.S.)	3858533	1	17.05	PULLEY (2 GROOVE-6 5/8 DIA.)

ENGINE

0.659 BALANCER-DAMPER-PULLEY, Engine Crankshaft (Con't)

66	Y (327, 427) W/H/PER. SP. H/PER., P.S.	3744043	1	17.05	FULLEY (DOUBLE-6 5/8 O.D.-PAINTED BLACK)
67-68	Y (327) W/SP. H/PER., A.C., P.S.	3751232	1	16.15	PULLEY
67-68	Y (327) W/A.C. (EXC. SP. H/PER.) (1ST DESIGN)	3850838	1	18.50	PULLEY (7 21/64 O.D.)
87	Y (427) W/A.C. (EXC. 3/2BC. H/PER.)	3863108	1	61.25	PULLEY (2 GROOVES) (CAST)
67	Y W/P.S. (427) SP. H/PER. (327) (EXC. H/PER.)	3751232	1	16.15	PULLEY
68	Y (EXC. A.C., H/PER., SP. H/PER.) (1ST DESIGN)	3744043	1	17.05	PULLEY (DOUBLE-6 5/8 O.D.-PAINTED BLACK)
68	Y (EXC. A.C., H/PER., SP. H/PER.) (2ND DESIGN)	3850638	1	18.50	PULLEY (7 21/64 O.D.)
68-69	Y (427) W/H.D., SP. H/PER. (1ST DESIGN)	3921923	1	18.15	PULLEY (2 GROOVE)
68-69	Y (427) W/H/PER (EXC 3/2BC)	3921923	1	18.15	PULLEY (2 GROOVE)
68-69	Y W/A.C. (EXC. 427) (2ND DESIGN)	3911013	1	18.50	PULLEY (7 47/64 O.D.)
69-70	Y (350) (EXC. P.S., A.C., H/PER., SP. H/PER.)	3850838	1	18.50	PULLEY (7 21/64 O.D.)
69-71	Y (350) W/H/PER., A.C., P.S.	3751232	1	16.15	PULLEY
69-73	Y (350) W/H/PER., SP. H/PER. (EXC. A.C., H.D. 4-SPD.)	3858533	1	17.05	PULLEY (2 GROOVE-6 5/8 DIA)
69	Y (427) W/H.D. (2ND DESIGN)	3863108	1	61.25	PULLEY (2 GROOVES) (CAST)
70-71	Y (350) (EXC. H/PER., SP. H/PER.)	3751232	1	16.15	PULLEY
70-74	Y (350) W/A.C. (EXC. H.D. 4- SPD.)	3911013	1	18.50	PULLEY (7 47/64 O.D.)
70-72	Y (350) W/H.D. 4-SPD., SP. H/PER.	3929697	1	59.63	PULLEY (2 GROOVE)
70-73	Y (454) (EXC. H.D., SP. H/PER.)	3921923	1	18.15	PULLEY (2 GROOVE)
71	Y (454) W/SP. H/PER.	3863108	1	61.25	PULLEY (2 GROOVES) (CAST)
72-74	Y (350) W/P.S., A.C.	3751232	1	16.15	PULLEY
74-80	Y (350) (EXC. A.C.)	3858533	1	17.05	PULLEY (2 GROOVE-6 5/8 DIA.)
74	Y (454) (EXC. A.C.)	3921923	1	18.15	PULLEY (2 GROOVE)
74	Y (454) W/A.C.	336098	1	21.10	PULLEY
75-82	Y	346290	1	16.70	PULLEY (1 GROOVE, 6 11/16 DIA.)
75-82	Y	14023151	1	19.10	PULLEY (2 GROOVE, 7 3/4 DIA.)

0.662 BOLT-WASHER, Engine Crankshaft Pulley and Balancer

62-68	Y (327) W/SP. H/PER., F.I.	3815933	1	1.50	BOLT (7/16-20 X 2 1/4)
62-68	Y (327) W/SP. H/PER., F.I.	14001829	1	1.05	WASHER (12.4X44.5X8.0 THK)
65-74	Y (396, 427, 454)	3864814	1	1.30	WASHER
69	Y (350) W/H/PER., SP. H/PER.	14001829	1	1.05	WASHER (12.4X44.5X8.0 THK)
70-82	Y	14001829	1	1.05	WASHER (12.4X44.5X8.0 THK)

0.666 FLYWHEEL, Engine Crankshaft

NOTE 1: IT IS NECESSARY TO USE SHORTER (45/64 O.L.) MOUNTING BOLT 3727207 WITH THIS FLY WHEEL ASM.

55-61	Y (8 CYL.) W/P.G.	3868806	1	63.50	FLYWHEEL (2 15/32 CTR. HOLE) (NOTE 1)
55-62	Y (8 CYL.) (EXC. P.G.) (2ND DESIGN)	3986390	1	122.00	FLYWHEEL, W/10" COIL AND DIAPH SPRING CLU (CAST 3729004)
55	Y (8 CYL.) (EXC. P.G.) (1ST DESIGN)	3991469	1	142.00	FLYWHEEL
62	Y (327) W/P.G.	3789821	1	55.25	FLYWHEEL, SPOKE TYPE (6-2" DIA. HOLES AROUND CTR.)
63-68	Y (327) W/M.T. (EXC. H.D. CLU.)	366860	1	131.00	FLYWHEEL, SOLID TYPE (CAST 3791021)
63-68	Y W/P.G. (EXC. 396, 427)	3789821	1	55.25	FLYWHEEL, SPOKE TYPE (6-2" DIA. HOLES AROUND CTR.)
65	Y (396) W/SP. H/PER.	3991406	1	150.00	FLYWHEEL
66-69	Y (427) W/M.T.	3991469	1	142.00	FLYWHEEL
66	Y (427) W/P.G.	3868806	1	63.50	FLYWHEEL (2 15/32 CTR. HOLE)
67	Y (427) W/P.G.	3899668	1	63.50	FLYWHEEL (2 31/64 CTR. HOLE)
67-69	Y (427) W/H.D., AL. CYL. AND CASE	3991406	1	150.00	FLYWHEEL
68	Y W/T.H.	361950	1	73.25	FLYWHEEL
69	Y (427) W/H.D., T.H., SP. H/PER.	361950	1	73.25	FLYWHEEL
69	Y W/T.H. (EXC. SP. H/PER., H.D.)	361950	1	73.25	FLYWHEEL

ENGINE

0.666 FLYWHEEL, Engine Crankshaft (Con't)

69	Y (350) W/M.T. (EXC. SP. H/PER.)	3991469	1	142.00	FLYWHEEL
70	Y (350) W/A.T. (EXC. H/PER. SP. H/PER.)	361950	1	73.25	FLYWHEEL
70	Y (350) W/H.D. 4-SPD. H/PER.	3991406	1	150.00	FLYWHEEL
70-74	Y (454) W/A.T. H/PER.	343738	1	83.50	FLYWHEEL
70-74	Y (454) W/M.T. H/PER.	3993827	1	122.00	FLYWHEEL
70	Y W/3-SPD.	3991469	1	142.00	FLYWHEEL
71-72	Y (350) W/A.T.	361950	1	73.25	FLYWHEEL
71-72	Y (350) W/H.D. 4-SPD.	3991406	1	150.00	FLYWHEEL
71	Y (454) W/A.T. SP. H/PER.	336717	1	83.50	FLYWHEEL
71-77	Y (350) W/M.T.	3991469	1	142.00	FLYWHEEL
73-74	Y (350) W/A.T.	361950	1	73.25	FLYWHEEL
75-77	Y (350) W/A.T. (EXC. SP. H/PER.)	340296	1	N.L.	FLYWHEEL
75-77	Y (350) W/T.H. SP. H/PER.	361950	1	73.25	FLYWHEEL
78	Y (350) W/M.T. (EXC. SP. H/PER.)	3986390	1	122.00	FLYWHEEL, W/10" COIL AND DIAPH SPRING CLU (CAST 3729004)
78	Y W/A.T.	340296	1	N.L.	FLYWHEEL
78	Y (350) W/M.T. SP. H/PER.	3991469	1	142.00	FLYWHEEL
79-81	Y (350) W/A.T.	471598	1	49.25	FLYWHEEL
79-81	Y (350) W/M.T.	3991469	1	142.00	FLYWHEEL
80	Y (305)	471598	1	49.25	FLYWHEEL
82	Y W/A.T.	471598	1	49.25	FLYWHEEL

0.669 BOLT -DOWEL, Engine Flywheel

55-81	Y W/M.T.	839756	6	.33	BOLT (7/16-20 X 1)
61-79	Y	3727207	AR	.77	BOLT
55-61	Y (8 CYL.)	3701679	1	.36	DOWEL, FLYWHL (7/16 X 7/8)
70-74	Y (454)	3701679	1	.36	DOWEL, FLYWHL (7/16 X 7/8)

0.673 GEAR, Engine Flywheel

66-69	Y (427) (EXC. H.D.)	460583	1	17.80	GEAR
68	Y (327) W/A.T. (M40)	460583	1	17.80	GEAR
69-74	Y (350) (EXC. 4-SPD.)	460583	1	17.80	GEAR
71-74	Y (454)	460583	1	17.80	GEAR
75-82	Y	460583	1	17.80	GEAR

0.679 BOLT-COVER-EXTENSION-SCREW-STUD-UNDERPAN, Flywheel

NOTE 1: HAS TWO INDENTED THROUGH ON SURFACE, TRIM EXCESS METAL TO FIT AS NECESSARY.

53-75	Y	3817006	AR	.30	BOLT, W/WA (1/4-20 X 7/16)
63-66	Y (283, 327)	354497	1	5.55	COVER, CLU HSG
65-66	Y (396, 427) W/SP. H/PER.	354497	1	5.55	COVER, CLU HSG
66-69	Y (350, 427) W/M.T. (EXC. H.D., AL. CYL. AND CASE)	3843943	1	6.55	COVER, CLU HSG (HAS 2 7/8 DIA ROUND HOLE)
67-69	Y (427) W/H.D., AL. CYL. AND CASE	354497	1	5.55	COVER, CLU HSG
70-72	Y (350) W/H.D. 4-SPD.	354497	1	5.55	COVER, CLU HSG
70-73	Y (350) W/M.T. (EXC. H.D. 4-SPD.)	3843943	1	6.55	COVER, CLU HSG (HAS 2 7/8 DIA ROUND HOLE)
70-74	Y (454) W/M.T. (EXC. H.D.)	3843943	1	6.55	COVER, CLU HSG (HAS 2 7/8 DIA ROUND HOLE)
75-82	Y	14038632	1	9.80	COVER, TRANS CONV
75-81	Y (350) W/M.T.	340252	1	5.55	COVER, CLU HSG
55-62	Y (8 CYL.)	3734908	1	3.10	EXTENSION, CLU HSG FLYWHL (NOTE 1)
62-68	Y W/P.G.	3924780	AR	.36	SCREW, W/WASHER (5/16-18 X 7/8)
75-78	Y	376300	3	.36	SCREW, TRANS. PAN (1/4-20 X 7/8)
80-81	Y	14020511	RH	2.90	STUD, VLV RKR CVR RR OUTBOARD
82	Y	14063748	RH	2.95	STUD, VLV RKR CVR RR OUTBOARD
55-62	Y (8 CYL.) W/M.T.	3704923	1	9.25	UNDERPAN, CLU (15 1/2 O.L.) (NOTE 1)
62-67	Y W/P.G.	3933089	1	9.20	UNDERPAN, TRANS (17 51/64 O.L.)
67	Y (427) W/H/PER. (EXC. 3/2 BC)	3831527	1	16.35	UNDERPAN, TRANS CONV
68-69	Y (M40)	3868810	1	7.70	UNDERPAN, TRANS CONV
70-74	Y (M40)	342467	1	10.10	UNDERPAN, TRANS CONV

0.683 HOUSING, Bolt Engine Clutch

64-68	Y (327, 396)	3858403	1	71.50	HOUSING, CLU (IDENT. NO. 3840383)
66-81	Y (350, 427, 454)	3899621	1	85.50	HOUSING, CLU
66	Y (427) W/SP. H/PER.	3858403	1	71.50	HOUSING, CLU (IDENT. NO. 3840383)
67-69	Y (427) W/H.D., AL. CYL. AND CASE	3858403	1	71.50	HOUSING, CLU (IDENT. NO. 3840383)

ENGINE

0.685 DOWEL , Engine Clutch Housing or Transmission					
70-82	Y	3712745	2	1.10	DOWEL (2 1/32" X 1 1/8")
0.724 CHAIN, Engine Timing					
55-66	Y (8 CYL.) (EXC. 396, 427)	3704150	1	23.05	CHAIN, EARLY LINK TYPE
65-66	Y (396, 427)	3860036	1	23.05	CHAIN, LINK TYPE
67-81	Y (305, 327, 350)	346261	1	N.L.	CHAIN, EARLY LINK TYPE
67-69	Y (396, 427) (EXC. SP. H/PER., H.D., AL. CYL. AND CASE)	3902428	1	23.05	CHAIN, LINK TYPE
67-69	Y (427) W/SP. H/PER., H.D., AL. CYL. AND CASE	3860036	1	23.05	CHAIN, LINK TYPE
70-74	Y (454) (EXC. H.D., SP. H/PER.)	3902428	1	23.05	CHAIN, LINK TYPE
71	Y (454) W/SP. H/PER.	3860036	1	23.05	CHAIN, LINK TYPE
82	Y (5.7-8)	346261	1	N.L.	CHAIN, EARLY LINK TYPE
0.728 SPROCKET , Engine Crankshaft					
55-66	Y (8 CYL.) (EXC. 396, 427)	3759980	1	14.70	SPROCKET (18 TEETH-2 7/8 O.D.) (EARLY LINK TYPE)
65-66	Y (396, 427)	3860035	1	21.35	SPROCKET (19 TEETH-3 1/32 O.D.)
67-81	Y (305, 327, 350)	3896953	1	N.L.	SPROCKET (18 TEETH-2 7/8 O.D.) (EARLY LINK TYPE)
67-69	Y (396, 427) W/SP. H/PER., H.D., AL. CYL. AND CASE	3860035	1	21.35	SPROCKET (19 TEETH-3 1/32 O.D.)
67-69	Y (396, 427) (EXC. SP. H/PER., H.D., AL. CYL. AND CASE)	3902426	1	14.70	SPROCKET (19 TEETH-3 1/32 O.D.)
70	Y (454) (EXC. H.D.)	3902426	1	14.70	SPROCKET (19 TEETH-3 1/32 O.D.)
71	Y (454) W/SP. H/PER.	3860035	1	21.35	SPROCKET (19 TEETH-3 1/32 O.D.)
71-74	Y (454) W/H/PER.	3902426	1	14.70	SPROCKET (19 TEETH-3 1/32 O.D.)
82	Y (5.7-8)	3896959	1	N.L.	SPROCKET (18 TEETH-2 7/8 O.D.)
0.736 SPROCKET , Engine Camshaft					
55-66	Y (8 CYL.) (EXC. 396, 427)	3865964	1	22.35	SPROCKET (CAST 3704214-36 TEETH) (IRON) (EARLY LINK TYPE)
65-66	Y (396, 427)	330815	1	22.35	SPROCKET (NYLON) (38 TEETH)
67-81	Y (305, 327, 350)	340235	1	23.30	SPROCKET (36 TEETH)
67-69	Y (427) (EXC. SP. H/PER., H.D., AL. CYL. AND CASE)	330814	1	22.35	SPROCKET (38 TEETH)
67-69	Y (427) W/SP. H/PER., H.D., AL. CYL. AND CASE	330815	1	22.35	SPROCKET (NYLON) (38 TEETH)
70	Y (454) (EXC. H.D.)	330814	1	22.35	SPROCKET (38 TEETH)
71-72	Y (454) W/H/PER.	330814	1	22.35	SPROCKET (38 TEETH)
71	Y (454) W/SP. H/PER.	330815	1	22.35	SPROCKET (NYLON) (38 TEETH)
73-74	Y (454)	330814	1	22.35	SPROCKET (38 TEETH)
82	Y (5.7-8)	340235	1	23.30	SPROCKET (36 TEETH)
0.787 ROD-SWIVEL, Clutch Fork Release					
NOTE 1: WHEN USING 3764588 ON SOME 1957-59 MODELS IT IS MAY BE NECESSARY TO USE 1-3749084 CLIP AND DISCARD 1-120333 WASHER, 1-121222 PIN AND 1-371704 SPRING.					
57-62	Y	3739045	1	3.20	ROD, FORK PUSH (9 13/16 O.L.)
64-66	Y (EXC. 396, 427)	3844209	1	3.60	ROD, FORK PUSH (10 9/16 O.L.)
65-66	Y (396, 427)	3872960	1	4.20	ROD, FORK PUSH (8 37/64 O.L.)
67-81	Y	3872960	1	4.20	ROD, FORK PUSH (8 37/64 O.L.)
57-70	Y	3764588	1	.79	SWIVEL, FORK PUSH ROD (NOTE 1)
63-81	Y	3813225	1	2.15	SWIVEL, PEDAL OR CLIP FORK PUSH ROD
0.793 PIN -WASHER , Clutch Fork Push Rod Adj					
64-81	Y	3738054	1	.36	PIN (1 1/2 O.L.)
58-62	Y	3834560	1	.25	WASHER (11/32 I.D. X 11/16 O.D. X 3/16 THK.) (0.837)
73-78	Y	331247	AR	.35	WASHER, FLAT (3/4 O.D. X 3/8 I.D.)
0.795 FORK , Engine Clutch Release					
NOTE 1: WHEN USING ON 1955-56 MODELS IT IS NECESSARY TO USE 3739045 PUSH ROD (0.787), 376 4588 SWIVEL (0.787), 3738054 PIN (0.787), COTTER PIN AND SPRING.					
55-62	Y	3739043	1	16.75	FORK (STAMPED TYPE) (NOTE 1)
63	Y	3820008	1	18.50	FORK
64-81	Y	3887177	1	17.65	FORK
0.796 SPRING-STUD , Engine Clutch Release Fork					
57-65	Y	3849698	1	1.35	SPRING, RET (4 1/16 O.L.)
66	Y (427) W/SP. H/PER.	3849698	1	1.35	SPRING, RET (4 1/16 O.L.)
74-81	Y	3784619	2	.44	SPRING, PUSH ROD RET
75-81	Y	3849698	1	1.35	SPRING, RET
55-65	Y	3729000	1	3.45	STUD (1 1/2 STUD)
66-75	Y (1ST DESIGN-1975)	3887159	1	1.85	STUD (1 3/8 STUD)

ENGINE

0.796 SPRING-STUD , Engine Clutch Release Fork (Con't)					
75-81	Y (350) W/M.T. (2ND DESIGN-1975)	3729000	1	3.45	STUD (1 1/2 STUD)
82	Y (5.7-8)	3790556	1	1.80	STUD, CLU FORK BALL
0.797 BOOT, Engine Clutch Release Fork					
63-81	Y	14007355	1	4.50	BOOT.
0.799 BEARING , Engine Clutch Release fork					
55	Y (8 CYL.) (1ST DESIGN)	908092	1	N.L.	BEARING (BALL BRG TYPE) (1 7/8 LONG) (PRESS PLT 328566)
55-63	Y (8 CYL.) (2ND DESIGN)	908244	1	N.L.	BEARING (BALL BRG TYPE) (1 1/4 LONG)
64-82	Y	908244	1	N.L.	BEARING (BALL BRG TYPE) (1 1/4 LONG)
0.829 BUMPER-PLUG-SEAL, Engine Clutch Pedal					
55-73	Y	14046866	1	.57	BUMPER, PED
75-76	Y (EXC. P.B.)	1380966	1	.41	BUMPER, PED
77-81	Y	14046866	1	.57	BUMPER, PED
67-77	Y	4768119	1	.33	PLUG, PEDAL PUSH ROD HOLE (10.778)
68-81	Y	3915689	1	2.50	SEAL, PEDAL PUSH ROD HOLE
0.830 PEDAL, Engine Clutch Pedal					
NOTE 1: (1979 & PAST MODEL)-WHEN USING 14020844 IN PLACE OF 3960621, COVER 14009148 MUST BE USED. (SEE GROUP 4.630).					
63-66	Y	3832855	1	18.60	PEDAL
68-81	Y	14020844	1	18.85	PEDAL, (NOTE 1)
0.831 BUSHING , Engine Clutch Pedal					
55	Y (8 CYL.)	14004821	2	.57	BUSHING (5/8 DIA PEDAL SHAFT)
63-82	Y	14004821	2	.57	BUSHING (5/8 DIA PEDAL SHAFT)
0.837 RETAINER-SPRING-WASHER, Clutch and Brake Pedal Shaft					
63-73	Y	3828428	1	.54	RETAINER, SHAFT (4.634)
55-56	Y (8 CYL.)	371704	AR	.38	SPRING, CLU PEDAL AND FORK PUSH ROD, PUSH ROD ANTI-RATTLE (4.037)
74-79	Y	3834560	1	.25	WASHER, PEDAL PUSH ROD (11/32 X 11/16 X 3/16)
0.844 SPRING, Engine Clutch Fork Return					
57-62	Y	3784619	1	.44	SPRING, RET (3" FREE LENGTH)
63-67	Y	3813226	1	1.35	SPRING, PED RTN (6 7/64 FREE LENGTH-32 COILS)
64-81	Y	3784619	1	.44	SPRING, RET (3" FREE LENGTH)
68-81	Y	3921656	1	1.25	SPRING, CLU PED PULL BK
0.846 PLATE , Clutch Pedal Pull Back Spring					
55-62	Y	3764732	1	.60	PLATE (WITH 35/64 & 17/64 HOLES)
0.851 BUSHING-SEAL-SEAT-SPRING-STUD-WASHER, Engine Clutch Lever & Shaft					
55-62	Y	3716811	1	2.30	BUSHING (3/8 I.D. X 7/8 O.D.)
74-81	Y W/M.T.	3743355	1	.36	SEAL, SHF BALL STUD/TO ENG/DUST (FELT)
76-81	Y	3743360	1	.40	SEAL, SHF BALL STUD/TO ENG/DUST (FELT)
63-81	Y	3743349	2	.57	SEAT, LVR BALL (7/8 DIA.) (NYLON)
63-81	Y	3750696	1	.36	SPRING, LVR BALL STUD SEAT RET (1" O.D.)
63-72	Y	3866568	1	4.15	STUD, TO ENG
63-71	Y	3898610	1	2.45	STUD, TO FRAME (3/8-24 X 1 13/16 O.L.)
72-01	Y	3935289	1	2.60	STUD, TO FRAME
73-81	Y	3752863	1	4.35	STUD, TO ENG
63-81	Y	3756326	1	.38	WASHER, STUD TO FRAME (61/64 X 9/16)
0.852 BRACKET-LEVER, Engine Clutch Control					
55-62	Y	3723603	1	9.80	BRACKET, ENG
63-77	Y	3814217	1	3.50	BRACKET, SHF FRAME
80-81	Y W/M.T.	475390	1	4.35	BRACKET, SHF FRM
55-62	Y	3732881	1	50.00	LEVER, W/SHF (8 7/8 O.L.)
63-66	Y (EXC. 396, 427)	3832857	1	34.75	LEVER, W/SHF
65-66	Y (396, 327)	3872962	1	34.00	LEVER, W/SHF
67-81	Y	3888279	1	33.00	LEVER, W/SHF
0.854 ROD, Engine Clutch Pedal Control					
63-65	Y (EXC. 396)	3888213	1	4.35	ROD, PUSH

ENGINE

0.854		ROD, Engine Clutch Pedal Control		(Con't)	
66-67	Y	3888213	1	4.35	ROD, PUSH
68-81	Y	3921654	1	4.75	ROD, PUSH
0.859		COVER-PLATE, Engine Clutch			
NOTE 1: COMPONENT PARTS NOT SERVICEABLE.					
NOTE 2: THIS ASM. CONSISTS OF A COVER, DUAL PRESSURE PLATE (FRONT AND REAR DRIVEN PLATE NOT INCLUDED).					
55	Y	3999253	1	129.00	COVER, W/PLATE (DIAPHRAGM TYPE) (11") (CAST 3748721)
56	Y	3729002	1	133.00	COVER, W/PLATE (COIL SPRING TYPE) (1402 STAMPED ON CVR) (10 1/2" CLU)
57-62	Y	3816144	1	135.00	COVER, W/PLATE (COIL SPRING TYPE) (1589 STAMPED ON CVR)
63-68	Y (327)	3841673	1	133.00	COVER, W/PLATE
65	Y (396)	3841673	1	133.00	COVER, W/PLATE
63-69	Y (350, 427) (EXC. H.D., SP. H/PER., AL. CYL. AND CASE)	3884598	1	N.L.	COVER, W/PLATE (11 O.D.) (BENT FINGER) (BELLEVILLE SPRING)
66-69	Y (427) W/SP. H/PER. (EXC. H.D. CLUTCH)	3884598	1	N.L.	COVER, W/PLATE (11 O.D.) (BENT FINGER) (BELLEVILLE SPRING)
67-69	Y (427) W/H.D., AL. CYL. AND CASE	6273958	1	222.00	COVER, W/PLATE (10.4 O.D.) (SINGLE PLATE DESIGN) (NOTE 1)
69-76	Y (350)	3884598	1	N.L.	COVER, DIAPH SPRING TYPE (11" O.D.)
69	Y (427) (EXC. H.D. CLUTCH, SP. H/P)	3884598	1	N.L.	COVER, DIAPH SPRING TYPE (11" O.D.)
69	Y (427) W/H.D. CLUTCH, SP. H/PER.	231254	1	219.00	COVER, W/PLATES (10 1/2 O.D.) (NOTE 2)
70-77	Y (350) (EXC. H.D. 4-SPD.)	3884598	1	N.L.	COVER, W/PLATE (11 O.D.) (BENT FINGER) (BELLEVILLE SPRING)
70-72	Y (350) W/H.D. 4-SPD.	6273958	1	222.00	COVER, W/PLATE (10.4 O.D.) (SINGLE PLATE DESIGN) (NOTE 1)
70	Y (454) (EXC. H.D.)	3884598	1	N.L.	COVER, DIAPH SPRING TYPE (11" O.D.)
70-74	Y (454) (EXC. H.D., SP. H/PER.)	3884598	1	N.L.	COVER, W/PLATE (11 O.D.) (BENT FINGER) (BELLEVILLE SPRING)
71	Y (454) W/SP. H/PER.	231254	1	219.00	COVER, W/PLATES (10 1/2 O.D.) (NOTE 2)
71-73	Y (454) W/H/PER.	3884598	1	N.L.	COVER, DIAPH SPRING TYPE (11" O.D.)
75-80	Y	3884598	1	N.L.	COVER, DIAPH SPRING TYPE (11" O.D.)
78-80	Y	3884598	1	N.L.	COVER, W/PLATE (11 O.D.) (BENT FINGER) (BELLEVILLE SPRING)
78	Y W/M.T. (EXC. SP. H/PER.)	3841673	1	133.00	COVER, W/PLATE
81	Y (350)	3962052	1	N.L.	COVER, W/PLATE
66-68	Y (427) (EXC. H.D.)	3884598	1	N.L.	PLATE,
69-70	Y (350)	3884598	1	N.L.	PLATE,
69-70	Y (396, 427, 454) (EXC. H.D., AL. CYL. AND CASE, H.D. CLUTCH)	3884598	1	N.L.	PLATE,
71-76	Y (350) (EXC. H.D. 4-SPD.)	3884598	1	N.L.	PLATE,
71-73	Y (454) W/H/PER.	3884598	1	N.L.	PLATE,
77-78	Y (350) W/SP. H/PER.	3884598	1	N.L.	PLATE,
0.861		COVER, Engine Clutch Plate			
63-65	Y (327)	3841673	1	133.00	COVER, DIAPH SPRING TYPE (12 31/64 O.D.)
66-68	Y (327, 427) (EXC. SP. H/PER.)	3841673	1	133.00	COVER, DIAPH SPRING TYPE (12 31/64 O.D.)
77	Y (350) (EXC. SP. H/PER.)	3841673	1	133.00	COVER, DIAPH SPRING TYPE (12 31/64 O.D.)
0.862		BOLT , Engine Clutch Cover to Flywheel			
53-69	Y	838653	AR	.30	BOLT (3/8-16 X 1)
54-72	Y	3962058	AR	.54	BOLT, RETRAC. SPRING (5/16-18 X 29/32 HEX) (0.864)
73-81	Y	838653	AR	.30	BOLT (3/8-16 X 1)
0.863		PLATE , Engine Clutch Pressure			
63-68	Y (327)	3793480	1	72.25	PLATE (CAST 3703480) (10 1/2)
65	Y (396)	3793480	1	72.25	PLATE (CAST 3703480) (10 1/2)
77	Y (350) (EXC. SP. H/PER.)	3793480	1	72.25	PLATE (CAST 3703480) (10 1/2)
0.864		BOLT-SPRING, Engine Clutch			
NOTE 1: REPLACE ONLY IN SETS OF THREE.					

ENGINE

0.864		BOLT-SPRING, Engine Clutch		(Con't)
55	Y (8 CYL.)	3962058	AR	.54 BOLT, RETRAC SPRING (5/16-18 X 29/32 HEX)
64-78	Y	3962058	AR	.54 BOLT, RETRAC SPRING (5/16-18 X 29/32 HEX)
62-79	Y	3788605	3	.36 SPRING, RETRACTING (NOTE 1)
0.865		SPRING, Clutch Pressure		
57-61	Y	3837099	AR	1.60 SPRING (RED) (312 LBS.)
0.873		BOLT-NUT, Clutch Release Lever		
55-62	Y (8 CYL.)	3981870	3	2.85 BOLT, W/NUT, LVR ADJ EYE
55-62	Y (8 CYL.)	418252	3	.77 NUT, ADJ (3/8-24 X 11/16)
0.875		PIN-STRUT, Clutch Release Lever		
55-62	Y (8 CYL.)	328571	3	.33 PIN (1 3/16 LONG X 5/16 O.D.)
55-62	Y (8 CYL.)	3837095	3	.46 STRUT (1/8 X 5/8 X 1 1/2)
0.878		SPRING, Clutch Pressure Lever Retainer		
55-62	Y (8 CYL.)	403051	3	.77 SPRING, ANTI-RATTLE (BLUE)
0.886		PLATE, Engine Clutch Driven		
NOTE 1: ONE REQUIRED FRONT DRIVEN, ONE REQUIRED REAR DRIVEN.				
NOTE 2: DUAL PLATE DESIGN.				
NOTE 3: SINGLE PLATE DESIGN.				
55	Y	6259177	1	96.00 PLATE, W/STEEL BACKED FACING (11 O.D.) (HUB PAINTED WHITE)
56	Y	14007393	1	86.50 PLATE, W/WOVEN FACING (10 13/32 O.D.)
57-62	Y	3889346	1	83.75 PLATE, W/WOVEN FACINGS (10" (LAVENDER PAINT ON OIL SLINGER)
63-68	Y	14007393	1	86.50 PLATE, W/WOVEN FACINGS (10 13/32 O.D.)
66-68	Y (427) (EXC. H.D.)	3908960	1	84.75 PLATE, W/WOVEN FACINGS (11" O.D.)
67-69	Y (427) W/H.D., AL. CYL. AND CASE	3886059	1	214.00 PLATE, W/WOVEN FACINGS (10.4 O.D.) (10 TOOTH SPLINE) (NOTE 3)
69-70	Y (350) (EXC. SP. H/PER.)	3908960	1	84.75 PLATE, W/WOVEN FACINGS (11" O.D.)
69-70	Y (427, 454) (EXC. H.D., H.D. CLUTCH)	3908960	1	84.75 PLATE, W/WOVEN FACINGS (11" O.D.)
70-71	Y (350) W/H.D. 4-SPD., SP. H/PER.	3886059	1	214.00 PLATE, W/WOVEN FACINGS (10.4 O.D.) (10 TOOTH SPLINE) (NOTE 3)
70	Y (350) W/SP. H/PER. (EXC. H.D. 4-SPD.)	3908960	1	84.75 PLATE, W/WOVEN FACINGS (11" O.D.)
71-72	Y (350) (EXC. SP. H/PER., H.D. 4-SPD.)	3989030	1	87.00 PLATE, W/WOVEN FACINGS (11" O.D.) (26 TOOTH SPLINE)
71-72	Y (350) W/H.D. 4-SPD., SP. H/PER.	3991428	1	214.00 PLATE, W/WOVEN FACINGS (10.4 O.D.) (26 TOOTH SPLINE)
71-72	Y (350) W/SP. H/PER. (EXC. H.D. 4-SPD.)	3991428	1	214.00 PLATE, W/WOVEN FACINGS (10.4 O.D.) (26 TOOTH SPLINE)
71-72	Y (454) W/H/PER.	3989030	1	87.00 PLATE, W/WOVEN FACINGS (11" O.D.) (26 TOOTH SPLINE)
71	Y (454) W/SP. H/PER.	3993815	2	119.00 PLATE, W/WOVEN FACINGS (10 O.D.) (26 TOOTH SPLINE) (NOTE 1, 2)
73-81	Y (350)	3989030	1	87.00 PLATE, W/WOVEN FACINGS (11" O.D.) (26 TOOTH SPLINE)
78	Y (350) (EXC. SP. H/PER.)	458629	1	N.L. PLATE, W/WOVEN FACINGS (10 13/32 OD) (10 TOOTH SPLINE)

PARTS

1



CHEVROLET CHASSIS GROUP 1.000



COOLING — GRILLE — OIL SYSTEM

ALPHABETICAL INDEX

A	
ADAPTER, Oil Distribution	1.531
ADAPTER, Oil Filter	1.840
ARRESTOR, Crankcase	1.745

B	
BAFFLE, Oil Pan	1.430
BAFFLE, Radiator Air	1.272
BAR, Radiator Grille	1.268
BEARING, Engine Fan Coolant	1.060
BELT, Drive Belts	1.066
BODY, Oil Filter	1.837
BOLT, Engine Coolant Pump	1.073
BOLT, Engine Oil Pump	1.652
BOLT, Oil Filter	1.840
BOLT, Radiator	1.270
BONDING STRIP, Radiator	1.263
BRACE, Radiator and Front End Tie	1.271
BRACKET, Engine Air Cooling(Electrical)	1.055
BRACKET, Engine Cooling	1.219
BRACKET, Radiator	1.270
BRACKET, Radiator to Grille	1.287
BRACKET, Radiator Fan	1.277
BRACKET, Radiator Grille and Front End Panel	1.267
BUSHING, Oil Pressure Gage	1.803

C	
CAP, Crankcase Oil Filler	1.758
CAP, Engine Coolant Pump	1.073
CAP, Engine Coolant Recovery	1.240
CAP, Radiator Filler	1.203
CLAMP, Engine Cooling	1.219
CLAMP, Hose (Radiator, Heater, A.C.)	1.166
CLIP, Radiator Baffle and Shroud	1.276
CLUTCH, Engine Air Cool Fan	1.050
CONNECTOR, Crankcase	1.745
CONNECTOR, Oil Distribution	1.531
CONNECTOR, Oil Filter	1.855
CORD, Engine Coolant Warmer	1.152
COVER, Oil Pump	1.723
CUSHION, Radiator	1.270

D	
DEFLECTOR, Radiator Air	1.272

E	
ELBOW, Crankcase	1.745
ELBOW, Engine Coolant By-Pass Hose	1.097
ELBOW, Oil Pressure Gage	1.803
ELEMENT, Oil Filter	1.836
EMBLEM KIT, Radiator Grille and Front End Ornamentation	1.303
EMBLEM, Radiator Grille and Front End Ornamentation	1.303
EXTENSION, Radiator	1.263
EXTENSION, Radiator to Grille	1.287
EXTENSION, Radiator Fan	1.277

F	
FAN, Engine Air Cooling(Electrical)	1.055
FAN, Engine Cooling	1.064
FASTENER, Radiator	1.270
FILTER, Oil Filter	1.836
FITTING, Oil Pressure Gage	1.803
FLANGE, Oil Pan Drain	1.453

G	
GAGE, Engine Coolant Temperature (Dash Unit)	1.148
GAGE, Oil Pressure Gage	1.803
GASKET, Crankcase Oil Filler	1.758
GASKET, Engine Coolant Pump	1.079
GASKET, Engine Coolant Outlet	1.154
GASKET KIT, Oil Pan	1.429
GASKET, Oil Filter	1.844
GASKET, Oil Pan Drain Plug	1.456
GASKET UNIT, Oil Pan	1.429
GRILLE, Radiator Grille	1.266
GROMMET, Crankcase	1.745

H	
HOSE, Crankcase Ventilation	1.762
HOSE, Engine Coolant By-Pass Hose	1.097
HOSE, Oil Pressure Gage	1.803
HOSE, Radiator Inlet (upper)	1.159
HOSE, Radiator Outlet (lower)	1.173
HOUSING, Radiator Grille	1.266

I	
INDICATOR, Oil Level	1.516
INSULATOR, Radiator	1.270

ALPHABETICAL INDEX

M			
MOLDING, Radiator Grille	1.268	SHIM, Radiator	1.270
MOTOR, Engine Air Cooling(Electrical)	1.055	SHROUD, Radiator Fan	1.277
		SLEEVE, Oil Pump	1.639
N		SPACER, Engine Cooling	1.064
NIPPLE, Crankcase	1.745	SPACER, Engine Fan Coolant	1.060
NUT, Crankcase	1.745	SPACER, Radiator Grille and Front End Panel	1.267
NUT, Engine Air Cooling(Electrical)	1.055	SPRING, Oil Pressure Regulator	1.609
NUT, Radiator	1.270	STRAP, Engine Cooling	1.219
NUT, Radiator Baffle and Shroud	1.276	STUD, Engine Air Cool Fan	1.050
NUT, Radiator Grille	1.269	STUD, Engine Coolant	1.153
NUT, Radiator Grille and Front End Panel	1.267	STUD, Engine Coolant Pump	1.073
NUT, Radiator Grille and Front End Ornamentation	1.303	STUD, Engine Fan Coolant	1.060
		STUD, Engine Oil Pump	1.652
		STUD, Oil Pan	1.428
		SUPPORT, Radiator	1.270
		SUPPORT, Radiator Fan	1.277
		SUPPORT, Radiator Grille and Front End Panel	1.267
		SWITCH, Coolant Temperature (Engine Unit)	1.150
		SWITCH, Engine Air Cooling(Electrical)	1.055
		SWITCH, Oil Pressure or Temperature	1.800
O		T	
OUTLET, Engine Coolant	1.153	TANK, Engine Cooling	1.219
		TEE, Crankcase	1.745
		THERMOSTAT, Engine Coolant Temperature	1.246
P		TUBE, Crankcase	1.745
PAN, Engine Oil	1.426	TUBE, Crankcase Ventilation	1.762
PANEL, Radiator	1.263	TUBE, Oil Level	1.516
PAN KIT, Engine Oil	1.426		
PIN, Oil Pump	1.639	V	
PIPE, Crankcase Ventilation	1.762	VALVE, Crankcase	1.745
PIPE, Oil Pressure Gage	1.803	VALVE, Oil Filter	1.837
PLATE, Radiator	1.270	VALVE, Oil Pressure Regulator	1.609
PLUG, Coolant Temperature (Engine Unit)	1.150	VENTILATOR, Crankcase	1.745
PLUG, Oil Distribution	1.531		
PLUG, Oil Pan Drain	1.453	W	
PLUG, Oil Pressure Regulator	1.609	WASHER, Engine Coolant Temperature (Dash Unit)	1.148
PULLEY, Fan and Coolant Pump	1.062	WASHER, Engine Oil Pump	1.652
PUMP, Engine Oil Pump	1.652	WASHER, Oil Pressure Gage	1.803
PUMP KIT, Engine Coolant Pump	1.069	WASHER, Radiator	1.263
		WASHER, Radiator	1.270
		WIRE, Engine Air Cooling(Electrical)	1.055
R			
RADIATOR, Engine Cooling	1.219		
REINFORCEMENT, Fan and Coolant Pump	1.062		
REINFORCEMENT, Radiator	1.263		
REINFORCEMENT, Radiator to Grille	1.287		
RESERVOIR, Engine Coolant Recovery	1.240		
RETAINER, Oil Pressure Regulator	1.609		
RETAINER, Oil Pump	1.639		
RETAINER, Radiator	1.270		
ROD, Radiator to Grille	1.287		
ROD, Radiator Support Mounting	1.274		
S			
SCREEN, Oil Pump	1.656		
SCREW, Oil Pan	1.428		
SCREW, Oil Pan Drain	1.453		
SCREW, Radiator	1.270		
SCREW, Radiator Baffle and Shroud	1.276		
SEALANT, Engine Coolant Outlet	1.154		
SEAL, Oil Pan	1.429		
SEAL, Radiator Support Mounting	1.274		
SENDER, Coolant Temperature (Engine Unit)	1.150		
SENDER, Oil Pressure or Temperature	1.800		
SENSOR, Coolant Temperature (Engine Unit)	1.150		
SENSOR, Oil Pressure or Temperature	1.800		
SHAFT KIT, Oil Pump	1.639		
SHAFT, Oil Pump	1.639		
SHIELD, Radiator to Grille	1.287		

COOLING-GRILLE-OIL SYSTEM

1.050 CLUTCH-STUD , Engine Air Cool Fan

NOTE 1: WHEN USING 343721 IN PLC. OF 342714, IT WILL BE NECESSARY TO ALSO USE (4) 9419683 BOLTS(5/16-18 X 5/8) WHEN USING 342714 IN PLC OF 343721, IT WILL BE NECESSARY TO ALSO USE (4) 5/16-24 NUTS AND (4) 5/16 LOCKWASHERS

60-67	Y (EXC. 427)	3916141	1	71.75	CLUTCH, FAN (STAMPED CK)
66-67	Y (427)	3916141	1	71.75	CLUTCH, FAN (STAMPED CT)
68-70	Y	3916141	1	71.75	CLUTCH, FAN
71	Y	3991426	1	42.25	CLUTCH, FAN
72-73	Y	460742	1	71.75	CLUTCH, FAN (EATCN)
74-76	Y (EXC. A.C.)	460742	1	71.75	CLUTCH, FAN (EATON)
74-75	Y W/A.C.	343721	1	122.00	CLUTCH, FAN (AX) (NOTE 1)
76-78	Y (350) W/SP. H/PER., A.C.	343721	1	122.00	CLUTCH, FAN (AX) (NOTE 1)
76-78	Y W/A.C. (EXC. H/PER., H.D.C.)	372502	1	78.50	CLUTCH, FAN (AZ)
77-79	Y (EXC. A.C., H.D. RAD. (V01)	460742	1	71.75	CLUTCH, FAN (EATON)
77-79	Y W/H.D. RAD. (V01)	343721	1	122.00	CLUTCH, FAN (AX) (NOTE 1)
79	Y (350) (EXC SP. H/PER., H.D. RAD)	372502	1	78.50	CLUTCH, FAN (AZ)
79-80	Y (350) W/SP. H/PER.	14047080	1	71.75	CLUTCH, FAN (AA)
80	Y (305, 350) (EXC H.D.C., SP.H/PER.)	372502	1	78.50	CLUTCH, FAN (AZ)
80-81	Y W/H.D.C. (V08)	343721	1	122.00	CLUTCH, FAN (AX) (NOTE 1)
81-82	Y (EXC H.D.C.)	14047080	1	71.75	CLUTCH, FAN (AA)
82	Y W/H.D.C. (V08)	372502	1	78.50	CLUTCH, FAN (AZ)
61 79	Y	22506258	AR	.36	STUD (5/16-18 X 5/16-24) (1.118 LONG 280M)
69 82	Y	3964274	4	1.05	STUD, FAN CLU (5/16-18-24 X 15/16)

1.055 BRACKET-FAN-MOTOR-NUT-SWITCH-WIRE, Engine Air Cooling(Electrical)

78-79	Y W/A.C., SP. H/PER.	22016952	1	46.85	BRACKET
81-82	Y	22034728	1	28.00	BRACKET
79-82	Y	22016679	1	25.30	FAN
79-82	Y	22035623	1	59.20	MOTOR
79-82	Y	22016612	AR	.8	NUT, FAN BLADE
81-82	Y	25036238	1	11.4	SWITCH, ENG TEMP FAN
79-82	Y	12005576	1	34.75	WIRE, AUX CLG FAN JPR

1.060 BEARING-SPACER-STUD, Engine Fan Coolant

62-66	Y W/SP. H/PER., F.I. (EXC. A.C.)	908076	1	11.58	BEARING, PUMP AND FAN IDLER PULLEY (4.850)
68-69	Y (427) W/4BC, A.C.	908076	1	11.58	BEARING, PUMP AND FAN IDLER PULLEY (4.850)
70-73	Y (454) W/A.C.	908076	1	11.58	BEARING, PUMP AND FAN IDLER PULLEY (4.850)
68-74	Y (427, 454) W/A.C. (EXC. P.S., 3/2BC)	3925594	1	1.75	SPACER, PUMP AND FAN IDLER PULLEY
69-74	Y (427, 454) W/A.C. (EXC. 3/2BC)	3952335	1	3.50	SPACER, PUMP AND FAN IDLER PULLEY
62-65	Y W/SP. H/PER., F.I. (EXC. A.C.)	3793288	1	4.25	STUD, PUMP (LWR L.H. HOLE) (3/8-16 X 4 1/8)

1.062 PULLEY-REINFORCEMENT , Fan and Coolant Pump

NOTE: IN SOME CASES DOUBLE GROOVE PULLEYS MAY BE USED IN PLACE OF SINGLE GROOVE PULLEYS.

NOTE 1: WHEN USING 3905995, ON SOME MODELS, IT MAY BE NECESSARY TO USE REINFORCEMENT 3720616.

55-56	Y (8 CYL.)	3905995	1	25.50	PULLEY (NOTE 1)
57	Y (8 CYL.) (EXC. DUAL 4BC, A.C., F.I.)	3905995	1	25.50	PULLEY, (NOTE 1)
57	Y W/DUAL 4BC, F.I.	3827846	1	23.20	PULLEY, W/REINF
58	Y (1ST DESIGN)	3827846	1	23.20	PULLEY, W/REINF
58	Y (2ND DESIGN)	3724816	1	35.50	PULLEY, FRT
59-62	Y (1ST DESIGN)	3724816	1	35.50	PULLEY, FRT
62	Y (2ND DESIGN)	3770245	1	35.50	PULLEY, DOUBLE (7 1/8 O.D.)
63-65	Y (EXC. SP. H/PER., F.I., A.C.)	3900434	1	19.70	PULLEY
63-68	Y (327) W/SP. H/PER., F.I. (EXC. A.C.) (1ST DESIGN)	3770245	1	35.50	PULLEY, DOUBLE (7 1/8 O.D.)
64-65	Y (327) W/SP H/PER., A.C.	3995641	1	18.35	PULLEY, DOUBLE (5 57/64)
64-68	Y W/A.C. (EXC. SP. H/PER.)	3995643	1	19.70	PULLEY
65	Y (327) W/SP. H/PER., P.S. (EXC. A.C.)	3827846	1	23.20	PULLEY, W/REINF
65	Y (396)	3906656	1	56.25	PULLEY
66	Y (327) (EXC. SP. H/PER., A.C., A.I.R.)	3724816	1	35.50	PULLEY, FRT
66	Y (327) (EXC. H/PER., A.C., A.I.R.)	3905995	1	25.50	PULLEY, (NOTE 1)

COOLING-GRILLE-OIL SYSTEM

1.062		PULLEY-REINFORCEMENT		, Fan and Coolant Pump		(Con't)
66-68	Y (327) W/SP. H/PER. A.I.R. A.C. (EXC. P.S.)	3883235	1	17.50	PULLEY, FRT (DIA. 5 7/8)	
66-68	Y (327) W/A.I.R. (EXC. A.C. SP. H/PER.)	3900434	1	19.70	PULLEY	
66-68	Y (327) W/SP. H/PER. A.C. (EXC. P.S.)	3995641	1	18.35	PULLEY, DOUBLE (5.890 O.D.)	
66-68	Y (327) W/SP. H/PER. P.S. A.C.	3995643	1	19.70	PULLEY,	
66-68	Y (327, 427) W/SP. H/PER. A.I.R. (EXC. A.C.)	3765427	1	35.50	PULLEY, FRT (7 1/8 O.D.)	
66-67	Y (427) (EXC. A.C.)	3906656	1	56.25	PULLEY,	
66-68	Y (427) W/A.C. (EXC. 3/2BC)	3995644	1	24.45	PULLEY (3 GROOVE)	
67	Y (327) (EXC. A.C. A.I.R. SP. H/PER.)	3883235	1	17.50	PULLEY, FRT (DIA. 5 7/8)	
67	Y (327) (EXC. A.C. A.I.R. SP. H/PER.)	3905995	1	25.50	PULLEY (NOTE 1)	
68	Y (EXC. 427) (2ND DESIGN)	3883235	1	17.50	PULLEY, FRT (DIA. 5 7/8)	
68	Y (T.H. W/H/PER. 427) (EXC. 3/2BC)	3995644	1	24.45	PULLEY (3 GROOVE)	
68	Y (327) (EXC. SP. H/PER. A.C.)	3995643	1	19.70	PULLEY,	
68	Y (327) W/SP. H/PER. (EXC. A.C.) (2ND DESIGN)	3995641	1	18.35	PULLEY, DOUBLE (5.890 O.D.)	
68	Y (427) (EXC. T.H.) (1ST DESIGN)	3883235	1	17.50	PULLEY, FRT (DIA. 5 7/8)	
68	Y (427) (EXC. T.H. A.C.) (1ST DESIGN)	3995641	1	18.35	PULLEY, DOUBLE (5.890 O.D.)	
68	Y (427) W/H.D.	3883235	1	17.50	PULLEY, FRT (DIA. 5 7/8)	
68-69	Y (427) W/H.D.	3995641	1	18.35	PULLEY, DOUBLE (5.890 O.D.)	
68-69	Y (427) W/H/PER. SP. H/PER. (2ND DES)	3995644	1	24.45	PULLEY (3 GROOVE)	
68-70	Y W/C.A.C. (EXC. 454)	3995642	1	21.15	PULLEY, DOUBLE	
69-70	Y (350) (EXC. A.C. H/PER. SP. H/PER.)	3995643	1	19.70	PULLEY,	
69-70	Y (350) W/H/PER. SP. H/PER. (EXC. A.C.)	3995641	1	18.35	PULLEY, DOUBLE (5.890 O.D.)	
69-74	Y (427, 454) W/A.C. (EXC. 3/2BC)	3952332	1	116.00	PULLEY, BELT IDLER	
70	Y (350) (EXC. H/PER. SP. H/PER. A.C.)	3995643	1	19.70	PULLEY,	
70	Y (350) W/SP. H/PER.	3883235	1	17.50	PULLEY, FRT (DIA. 5 7/8)	
70	Y (454) (EXC. H.D.)	3995644	1	24.45	PULLEY (3 GROOVE)	
71-75	Y (350)	14023158	1	17.50	PULLEY (1 GROOVE, 5 3/4 DIA)	
71-80	Y (350) (EXC. A.C.)	3991423	1	54.50	PULLEY, W/PUMP (2 GROOVE, 5 13/16 DIA.)	
71-74	Y (350) W/A.C.	3991424	1	26.50	PULLEY,	
71-73	Y (454)	3992071	1	34.75	PULLEY	
74	Y (454) (EXC. A.C.)	3992071	1	34.75	PULLEY,	
74	Y (454) W/A.C.	336097	1	36.75	PULLEY,	
75-77	Y W/A.C.	14023159	1	20.50	PULLEY (2 GROOVE, 6 1/4 DIA.)	
76-78	Y (350) W/ALT. CALIF.	14023158	1	17.50	PULLEY, FRT (1 GROOVE, 5 3/4 DIA.)	
78-79	Y W/A.C. OR F44 (EXC. SP. H/PER.)	14023159	1	20.50	PULLEY (2 GROOVE, 6 1/4 DIA.)	
78	Y W/A.T. (M38) A.C. SP. H/PER.	14023159	1	20.50	PULLEY (2 GROOVE, 6 1/4 DIA.)	
79-80	Y (350) W/SP. H/PER.	3991423	1	54.50	PULLEY, W/PUMP (2 GROOVE, 5 13/16 DIA.)	
79	Y (350) W/CALIF. (EXC. SP. H/PER.)	14023158	1	17.50	PULLEY (1 GROOVE, 5 3/4 DIA.)	
80-82	Y	14023158	1	17.50	PULLEY (1 GROOVE, 5 3/4 DIA.)	
80	Y (305, 350) (EXC. SP. H/PER.)	14023159	1	20.50	PULLEY (2 GROOVE, 6 1/4 DIA.)	
81-82	Y	14023159	1	20.50	PULLEY (2 GROOVE, 6 1/4 DIA.)	
58-61	Y	3720616	1	1.80	REINFORCEMENT (CUP SHAPE-1/4 DEEP-3 1/2 O.D. X 5/8 I.D. W/FOUR 11/32 HOLES)	
67-68	Y (327) (EXC. A.C. SP. H/PER.)	3720616	1	1.80	REINFORCEMENT (CUP SHAPE-1/4 DEEP-3 1/2 O.D. X 5/8 I.D. W/FOUR 11/32 HOLES)	

1.064 FAN -SPACER , Engine Cooling

NOTE: ORIGINAL EQUIPMENT FANS MAY BE REPLACED BY FANS WITH ADDITIONAL BLADES, HIGHER STRENGTH MATERIAL OR COMPOSITE BOLT CIRCLES.

60	Y W/FAN DRIVE EQUIP.	3770529	1	28.50	FAN (17", 5 BLADES) (3 BOLT CIRCLE-2 HUB HOLE)
61-67	Y (EXC. A.C., 396, 427)	3770529	1	28.50	FAN (17", 5 BLADES) (3 BOLT CIRCLE 2 HUB HOLE)

COOLING-GRILLE-OIL SYSTEM

1.064 FAN -SPACER , Engine Cooling (Con't)

63-66	Y W/A.C.	3931002	1	29.25	FAN (18", 7 BLADES) (4 BOLT CIRCLE)
66-68	Y (327) W/A.C.	3931002	1	29.25	FAN (18", 7 BLADES) (4 BOLT CIRCLE)
66-67	Y (427)	3955182	1	27.75	FAN (17 1/2, 7 BLADES)
68-70	Y (EXC. A.C.)	3955182	1	27.75	FAN (17 1/2, 7 BLADES)
69	Y (350, 427) W/H/PER., A.C. (EXC. 3/2BC)	3955182	1	27.75	FAN (17 1/2, 7 BLADES)
70	Y (350) W/A.C.	3955182	1	27.75	FAN (17 1/2, 7 BLADES)
70	Y (454) W/A.C.	3993889	1	27.50	FAN (17 1/2, 7 BLADES)
71-79	Y (EXC. A.C., F44)	3991420	1	26.25	FAN (17 1/2, 5 BLADES)
71-73	Y (350) W/A.C.	3991427	1	35.50	FAN (17 1/2, 7 BLADES)
71-73	Y (454) W/A.C.	3992095	1	35.75	FAN (17 1/2, 7 BLADES)
74-75	Y W/A.C.	342715	1	40.00	FAN (17 1/2, 7 BLADES)
76	Y (350) W/H/PER., A.C.	342715	1	40.00	FAN (17 1/2, 7 BLADES)
76	Y (350) W/A.C. (EXC. H/PER.)	372501	1	40.00	FAN (17 1/2, 7 BLADES)
76-77	Y W/A.C.	469580	1	26.25	FAN (18 1/2, 7 BLADES)
78-81	Y W/A.C. OR H.D. RAD.	469580	1	26.25	FAN (18 1/2, 7 BLADES)
79-80	Y (350) (W/SP. H/PER.)	14023200	1	34.00	FAN (47MM-5 BLADES)
80	Y (305, 350) (EXC. SP. H/PER.)	469580	1	26.25	FAN (18 1/2, 7 BLADES)
81-82	Y (EXC. H.D.C.)	14023200	1	34.00	FAN (47MM-5 BLADES)
81-82	Y W/H.D.C.	469580	1	26.25	FAN (18 1/2, 7 BLADES)
60	Y	3814241	1	3.85	SPACER (2 3/8 O.D. X 2 THK.)
69-75	Y	3947132	1	4.60	SPACER (2 55/64 O.D. X 2 1/2 THICK)

1.066 BELT, Drive Belts

NOTE: REFER TO CHART AT THE END OF 1.000 GROUP FOR V-BELTS.

1.069 PUMP KIT, Engine Coolant Pump

NOTE 1: USE OLD PUMP AS GUIDE BY CHECKING DISTANCE FROM HUB TO PUMP BODY. PART NUMBER 3998206 HAS A DISTANCE OF 1/4, 3998207 HAS A DISTANCE OF 3/8, ABOVE PUMPS DO NOT HAVE ADJUSTABLE HUBS.

55-70	Y (EXC. 396, 427, 454)	3998206	1	N.L.	PUMP KIT (NOTE 1)
55-70	Y (EXC. 396, 427, 454)	3998207	1	57.75	PUMP KIT (NOTE 1)
65-69	Y (396, 427)	458486	1	102.00	PUMP KIT
66-70	Y (427) W/H.D.	14058915	1	118.00	PUMP KIT
70	Y (454) (EXC. H.D.)	458486	1	102.00	PUMP KIT
71-81	Y (305, 350)	6258551	1	N.L.	PUMP KIT,
71-74	Y (454)	6260822	1	105.00	PUMP KIT
82	Y (5.7)	6258551	1	N.L.	PUMP KIT,

1.073 BOLT-CAP-STUD, Engine Coolant Pump

82	Y	454467	LH	.79	BOLT, LWR (4.085)
64-70	Y	1191141	1	.92	CAP. HTR HOSE PIPE
66	Y (396, 427) W/A.I.R.	461318	LH	.72	STUD, UPR
66-68	Y (427) (EXC. A.I.R.)	3759755	RH	.40	STUD, UPR R.H. PUMP ATTACH (5/16-24 X 3/8-16 X 2 9/16)
67	Y W/A.I.R.	461318	LH	.72	STUD, UPR
68-69	Y (327, 350, 427)	461318	LH	.72	STUD, UPR
69-71	Y (327, 350)	3932368	1	.43	STUD, CLNT OTLT (3/8-16 X 1 13/16) (2.277)
70	Y (350) W/SP. H/PER.	461318	LH	.72	STUD, UPR
70-71	Y (454) W/P.S.	461318	LH	.72	STUD, UPR
72-82	Y (V8) W/70 AMP	461318	LH	.72	STUD, UPR
75-81	Y (327, 350)	3932368	1	.43	STUD, CLNT OTLT (3/8-16 X 1 13/16) (2.277)
82	Y	3903324	1	2.40	STUD, COOLANT PUMP UPR LH (3/8-16X1.65/3/8-16X.90)
82	Y (5.7)	3932368	1	.43	STUD, CLNT OTLT (3/8-16 X 1 13/16) (2.277)

1.079 GASKET, Engine Coolant Pump

NOTE 1: WHEN USING AS L.H. GASKET TRIM OFF 1/2 DIA. HOLE.

55-67	Y (8 CYL.) (EXC. 396, 427)	3754587	2	.47	GASKET, LEFT OR RIGHT (13/32 LARGE I.D.) (CORK) (NOTE 1)
65-74	Y (396, 427, 454)	3860039	2	.47	GASKET (1 7/16 I.D. X TWO 13/32 HOLES AT ENDS)
69-82	Y	3754587	2	.47	GASKET, LEFT OR RIGHT (13/32 LARGE I.D.) (CORK) (NOTE 1)

1.097 ELBOW-HOSE, Engine Coolant By-Pass Hose

63-67	Y (327) W/SP. H/PER., F.I.	3829819	1	10.85	ELBOW, THERM BY-PASS AT WAT PUMP
63	Y W/SP. H/PER., F.I.	3794094	1	2.65	HOSE, THERM BY-PASS (8.846)
65	Y (396)	1485552	1	6.65	HOSE, THERM BY-PASS (CUT AS REQD)
66-67	Y (427) (EXC. A.I.R.)	1485552	1	6.65	HOSE, THERM BY-PASS (CUT AS REQD)
68-69	Y (427) (EXC. H.D.)	1485552	1	6.65	HOSE, THERM BY-PASS (CUT AS REQD)
70-74	Y (454)	1485552	1	6.65	HOSE, THERM BY-PASS (CUT AS REQD)

COOLING-GRILLE-OIL SYSTEM

1.148 GAGE-WASHER, Engine Coolant Temperature (Dash Unit)

NOTE 1: LESS CASE, FACE PLATE, AND LENS

63	Y	6400616	1	42.95	GAGE (NOTE 1)
64	Y	6401290	1	42.95	GAGE (NOTE 1)
65-67	Y	6402594	1	22.95	GAGE
68-74	Y	6490857	1	18.10	GAGE
75-76	Y	8992298	1	18.60	GAGE
77	Y	8992792	1	17.30	GAGE
78	Y	8993063	1	18.45	GAGE
79	Y	8993319	1	20.20	GAGE
80-82	Y	8993702	1	20.85	GAGE, W/RES. TEMP
82	Y	6455751	AR	20	WASHER, GAGE MT (3.108)

1.150 PLUG-SENDER-SENSOR-SWITCH, Coolant Temperature (Engine Unit)

80	Y (350) W/SP. H/PER. A.T.	8993410	1	4.10	PLUG, COOLANT TEMP
56-78	Y W/GAGES	1513321	1	N.L.	SENDER, COOLANT TEMP (BUT CONN)
79-80	Y (305, 350)	8993372	1	9.45	SENSOR, THERMO(ENG)
81	Y (350)	25036135	1	9.65	SENSOR, THERMO(ENG)
82	Y	25036135	1	9.65	SENSOR, THERMO(ENG)
70-72	Y	648972	1	9.07	SWITCH
74	Y	3030951	1	N.L.	SWITCH, THERM VAC (3.670)
75-76	Y	3031386	1	N.L.	SWITCH, EXH HT VLV ACTR VAC CONT (IN CLNT OTLT HSG)
79-80	Y (350) W/SP. H/PER.	8993358	1	9.10	SWITCH, ENG TEMP
81-82	Y	25036238	1	11.40	SWITCH, ENG TEMP

1.152 CORD, Engine Coolant Warmer

69-70	Y	732591	1	7.45	CORD
82	Y	737986	1	11.65	CORD, ENG BLK HTR (DIST BETWEEN TERMS 13.46 MM)
82	Y	742318	1	11.02	CORD, ENG BLK HTR (DIST BETWEEN TERMS 12.30 MM)

1.153 OUTLET -STUD, Engine Coolant

NOTE 1: WHEN USING 469519 IN PLACE OF 336790 OR 14014426 IT WILL BE NECESSARY TO USE ONE 444667 PLUG (8.971).

55-61	Y W/4BC	3827369	1	14.65	OUTLET (CAST IRON)
56-60	Y W/DUAL 4BC, F.I.	3837223	1	4.65	OUTLET (CAST ALUM)
62-65	Y (EXC. F.I., SP. H/PER.)	3827369	1	14.65	OUTLET (CAST IRON)
62	Y W/F.I., SP. H/PER.	3837223	1	4.65	OUTLET (CAST ALUM)
63-65	Y (327) W/SP. H/PER., F.I.	3827370	1	6.15	OUTLET (CAST IRON)
65	Y (396)	3827369	1	14.65	OUTLET (CAST IRON)
66-68	Y (327) W/SP. H/PER.	3827369	1	14.65	OUTLET (CAST IRON)
66-70	Y (327, 350, 427) (EXC. SP. H/PER.)	3877660	1	5.05	OUTLET (CAST ALUMINUM)
66	Y (427) W/A.I.R.	3827369	1	14.65	OUTLET (CAST IRON)
70-73	Y	3877660	1	5.05	OUTLET (CAST ALUMINUM)
74-81	Y	469519	1	5.40	OUTLET (NOTE 1)
82	Y (5.7-8)	14043376	1	5.40	OUTLET.
74-82	Y	3776391	AR	.83	STUD, HEX (5/16-18X.50/3/8-16X1.12 300M P) (3.275)

1.154 GASKET-SEALANT, Engine Coolant Outlet

53-82	Y	3701777	1	.47	GASKET (2 HOLES 13/16 I.D.)
81-82	Y	1052366	AR	7.35	SEALANT, COOLANT OUTLET (8.800)

1.159 HOSE, Radiator Inlet (upper)

NOTE: INLET HOSE IS USED BETWEEN TOP OF RADIATOR AND ENGINE COOLANT OUTLET. OUTLET HOSES (GROUP 1.173) ARE USED BETWEEN BOTTOM OF RADIATOR AND CYLINDER BLOCK.

NOTE: SOME HOSES HAVE BEEN REPLACED WITH HOSES OF A DIFFERENT LENGTH OR CONFIGURATION. THIS REPLACEMENT HOSE, IN MANY INSTANCES WILL REQUIRE CUTTING, USING OLD PART AS GUIDE.

55-61	Y (8 CYL.) (EXC. DUAL 4BC)	3788191	1	8.90	HOSE (1 1/2 I.D.)
58-61	Y W/F.I., H/P	3777482	1	8.90	HOSE (1 1/2 I.D.)
61-62	Y (EXC. H.L. CAM) (2ND DESIGN)	3788191	1	8.90	HOSE (1 1/2 I.D.)
63-65	Y (EXC. F.I., SP. H/PER., A.C.)	3768956	1	8.90	HOSE (1 1/2 I.D.)
63-65	Y W/F.I., SP. H/PER. (EXC. 396)	3777482	1	8.90	HOSE (1 1/2 I.D.)
65	Y (396) (2ND DESIGN)	3879680	1	8.90	HOSE (1 39/64 I.D.)
66-67	Y (327) (EXC. SP. H/PER.)	3887154	1	8.90	HOSE (1 9/64 I.D.)
66-67	Y (327) W/SP. H/PER.	3887156	1	8.90	HOSE (1 9/16 I.D.)
66-67	Y (427)	3906616	1	8.90	HOSE (1 1/2 I.D.)
68	Y (327) W/SP. H/PER.	3935466	1	8.90	HOSE (1 1/2 I.D.)
68	Y (327) W/4-SPD. (EXC. SP. H/PER., A.C.)	3935466	1	8.90	HOSE (1 1/2 I.D.)
68	Y (427) W/H.D.	3906616	1	8.90	HOSE (1 1/2 I.D.)

COOLING-GRILLE-OIL SYSTEM

1.159		HOSE , Radiator Inlet (upper)		(Con't)	
68	Y W/C.A.C. (EXC. 427, T.H.)	3917670	1	8.90	HOSE (1 1/2 I.D.)
68	Y W/T.H. (EXC. 427)	3917670	1	8.90	HOSE (1 1/2 I.D.)
68-70	Y W/3-SPD. (EXC. H/PER., A.C., 427)	3935466	1	8.90	HOSE (1 1/2 I.D.)
69-70	Y (350) W/SP. H/PER. (EXC. H.D.)	3768956	1	8.90	HOSE (1 1/2 I.D.)
69	Y (427) W/H/PER., SP. H/PER.	331876	1	8.90	HOSE (1 1/2 I.D.)
69	Y (427) W/H.D. 4-SPD., H.D.	3946011	1	8.90	HOSE (1 1/2 I.D.)
69	Y W/A.C. (EXC. T.H. 427)	368685	1	8.90	HOSE (1 1/2 I.D.)
69-70	Y W/T.H. (EXC. 427, 454)	368685	1	8.90	HOSE (1 1/2 I.D.)
70	Y (350) W/M.T., A.C. (EXC. H/PER.)	368685	1	8.90	HOSE (1 1/2 I.D.)
70	Y (350) W/H/PER.	368685	1	8.90	HOSE (1 1/2 I.D.)
70	Y (350) W/SP. H/PER., H.D., 4-SPD.	3946011	1	8.90	HOSE (1 1/2 I.D.)
70-72	Y (454) (EXC. H.D. RAD.)	331876	1	8.90	HOSE (1 1/2 I.D.)
70-72	Y (454) W/A.C., H/PER.	3905149	1	8.90	HOSE, RAD OTLT TUBE FRT HOSE
70-71	Y W/H.D. RAD.	3946011	1	8.90	HOSE (1 1/2 I.D.)
71-72	Y (350) W/A.C.	368685	1	8.90	HOSE (1 1/2 I.D.)
71-72	Y (350) W/SP. H/PER. (EXC. HD 4-SPD)	368685	1	8.90	HOSE (1 1/2 I.D.)
71-72	Y (350) W/A.T.	368685	1	8.90	HOSE (1 1/2 I.D.)
71-72	Y (350) W/HD 4-SPD, H/PER	368685	1	8.90	HOSE (1 1/2 I.D.)
71-72	Y (350) W/4-SPD. (EXC. SP. H/PER., A.C.)	3935466	1	8.90	HOSE (1 1/2 I.D.)
73-75	Y (350)	368685	1	8.90	HOSE (1 1/2 I.D.)
73-74	Y (454)	331876	1	8.90	HOSE (1 1/2 I.D.)
76	Y (1ST DESIGN)	368685	1	8.90	HOSE (1 1/2 I.D.) (STAMPED 368685)
76	Y (2ND DESIGN)	371443	1	10.90	HOSE (STAMPED 371443)
77-79	Y (1ST DESIGN-1979)	3970124	1	10.90	HOSE (1 1/2 I.D.)
79-82	Y (2ND DESIGN-1979)	14018075	1	6.75	HOSE (1 1/4 I.D. AT RAD INL & 1 1/2 I.D. AT ENG OTLT)

1.166		CLAMP, Hose (Radiator, Heater, A.C.)			
53-81	Y	1470029	AR	1.60	CLAMP, WORM TYPE (FOR 13/16" DIA.)
53-82	Y	2488394	AR	1.60	CLAMP, WORM ADJ TYPE (1 3/8 TO 2 1/4 DIA.)
53-79	Y	3749810	AR	1.60	CLAMP, HEX HD WORM GEAR (1" TO 6")
53-82	Y	22518665	AR	.43	CLAMP, WORM TYPE (.56" TO 1.06" DIA)
56-82	Y	2465838	AR	1.25	CLAMP, WORM TYPE (2 1/2 TO 3 1/2)
61-82	Y	3786275	AR	.45	CLAMP, HOSE (SPRING BAND) YELLOW-PC (.562)
67-79	Y	2488394	AR	1.60	CLAMP, HEX SL HD (1.82-1.94) (TYPE C HOSE)
70-82	Y	14052374	2	N.L.	CLAMP, WORM TYPE (11/16" X 1 5/16" I.D.)
75-79	Y	8868639	AR	1.75	CLAMP, TYPE D (4 9/32 OPEN, 3 31/32 CLOSD)
76-79	Y	477402	AR	1.15	CLAMP (.31 TO .75 DIA.)
82	Y	22518664	AR	.42	CLAMP, HEX HD WORM (1.06" TO 2.00")

1.173 HOSE , Radiator Outlet (lower)
 NOTE: OUTLET HOSES ARE USED BETWEEN BOTTOM OF RADIATOR AND CYL. BLOCK. INLET HOSE (GRP 1.159) IS USED BETWEEN TOP OF RADIATOR AND ENG. COOLANT OUTLET.
 NOTE: SOME HOSES HAVE BEEN REPLACED WITH HOSES OF A DIFFERENT LENGTH OR CONFIGURATION. THIS REPLACEMENT HOSE, IN MANY INSTANCES WILL REQUIRE CUTTING, USING OLD PART AS GUIDE.

66-62	Y (8 CYL.)	3754505	1	10.85	HOSE (1 3/4 I.D.)
63-65	Y (EXC. 396)	3832170	1	12.60	HOSE (1 3/4 I.D.)
66-67	Y (327)	3917669	1	10.90	HOSE (1 3/4 I.D.)
66-68	Y (427)	3921908	1	10.60	HOSE (1 7/8 I.D.)
68	Y (EXC. 427, A.C., T.H.)	3917669	1	10.90	HOSE (1 3/4 I.D.)
68	Y W/A.C. (EXC. 427)	3917671	1	11.75	HOSE (1 3/4 I.D.)
69	Y (350) W/3-SPD. (EXC. A.C.)	3917669	1	10.90	HOSE (1 3/4 I.D.)
69-70	Y (350) W/H/PER., SP. H/PER.	3946854	1	8.90	HOSE (1 3/4 I.D.)
69	Y (427) (EXC. H.D.)	3947888	1	8.55	HOSE (1 7/8 I.D.)
69	Y (427) W/M.T., H.D.	3948012	1	12.60	HOSE (1 3/4 I.D.)
69	Y W/A.C. (EXC. 427)	3946854	1	8.90	HOSE (1 3/4 I.D.)
69	Y W/A.T.	3947888	1	8.55	HOSE (1 7/8 I.D.)
69	Y W/T.H. (EXC. 427, 454)	3946854	1	8.90	HOSE (1 3/4 I.D.)
70	Y (350) (EXC. H/PER., SP. H/PER., A.C.)	3917669	1	10.90	HOSE (1 3/4 I.D.)
70-72	Y (350) W/M.T., A.C. (EXC. H/PER.)	3946854	1	8.90	HOSE (1 3/4 I.D.)
70-71	Y (454) (EXC. H.D. RAD., A.C.)	3947888	1	8.55	HOSE (1 7/8 I.D.)

COOLING-GRILLE-OIL SYSTEM

1.173 HOSE, Radiator Outlet (lower) (Con't)

70-71	Y (454) W/A.T.	3947868	1	8.55	HOSE (1 7/8 I.D.)
70-73	Y (454) W/A.C.	3989929	1	6.15	HOSE, RR
70-71	Y W/H.D. RAD.	3948012	1	12.60	HOSE (1 3/4 I.D.)
71-72	Y (350) W/4-SPD. (EXC. A.C.)	3917869	1	10.90	HOSE (1 3/4 I.D.)
71-72	Y (350) W/A.T.	3948854	1	8.90	HOSE (1 3/4 I.D.)
73-76	Y (1ST DESIGN-1976)	355347	1	10.60	HOSE (355347 PRINTED ON HOSE)
73	Y (454) (EXC. A.C.)	3947868	1	8.55	HOSE (1 7/8 I.D.)
73	Y (454) W/A.C.	3905149	1	8.90	HOSE (1 3/4 I.D.)
74	Y (454)	3947868	1	8.55	HOSE (1 7/8 I.D.)
76-82	Y (2ND DESIGN-1976)	379933	1	10.60	HOSE (379933 PRINTED ON HOSE)

1.203 CAP, Radiator Filler

NOTE 1: THIS CAP IS TO BE USED WITH ALUMINUM RADIATORS.

65-61	Y (8 CYL.) (EXC. F.I.) (1ST DESIGN)	850795	1	N.L.	CAP, PRESSURE TYPE (7 LB.) (RC-1)
65-59	Y W/F.I.	850800	1	3.88	CAP, PRESSURE TYPE (13 LB.)
60-63	Y (2ND DESIGN)	6410206	1	8.05	CAP, SUPPLY TANK FILLER (RC-26) (15 LB.) (NOTE 1)
64-67	Y (EXC. A.C., 427) (1ST DESIGN)	6410206	1	8.05	CAP, SUPPLY TANK FILLER (RC-26) (15 LB.) (NOTE 1)
64-65	Y W/A.C.	861050	1	N.L.	CAP
66	Y (EXC. 427) (2ND DESIGN)	861050	1	N.L.	CAP
68-72	Y	861050	1	N.L.	CAP
73-82	Y	6410865	1	N.L.	CAP

1.219 BRACKET-CLAMP-RADIATOR --STRAP-TANK, Engine Cooling

NOTE: FOR DRAIN COCKS SEE STD. PARTS GROUP 8.951.

NOTE: IN SOME CASES STANDARD RADIATORS ARE REPLACED BY HEAVY DUTY RADIATORS AND RADIATORS WITH OIL COOLERS CAN BE USED IN PLACE OF ONES WITHOUT OIL COOLERS.

NOTE 1: TOP RADIATOR TANK NOT AN INTEGRAL PART OF THIS CORE-SEE 3151016 FOR TANK ASM.

NOTE 2: IT MAY BE NECESSARY TO REPLACE THE RADIATOR INLET HOSE WITH PART 3879680.

NOTE 3: USED IN CONJUNCTION WITH SECOND DESIGN CORE 3150916.

NOTE 4: WHEN USED IN PLACE OF 3825093 ON 1963 MODELS 2-3843432 CLAMPS AND 1-3843431 BRACKET SHOULD BE USED.

NOTE 5: DOES NOT INCLUDE OIL COOLER OR FINGER GUARD.

64-66	Y (EXC. 427)	3843431	1	7.35	BRACKET, SUPPLY TANK
67-68	Y (327) (EXC. A.C., T.H.)	3843431	1	7.35	BRACKET, SUPPLY TANK
69-70	Y W/3, H.D. 4-SPD. (EXC. A.C., H/PER. 350)	3843431	1	7.35	BRACKET, SUPPLY TANK
71-72	Y W/M.T. (EXC. A.C., SP. H/PER. 350)	3843431	1	7.35	BRACKET, SUPPLY TANK
63	Y	3843432	1	.67	CLAMP, SUPPLY TANK (NOTE 4)
64-66	Y (EXC. 427)	3843432	1	.67	CLAMP, SUPPLY TANK (NOTE 4)
67-68	Y (327) (EXC. A.C., T.H.)	3843432	1	.67	CLAMP, SUPPLY TANK (NOTE 4)
69-70	Y W/3, H.D. 4-SPD. (EXC. A.C., H/PER. 350)	3843432	1	.67	CLAMP, SUPPLY TANK (NOTE 4)
71-72	Y W/M.T. (EXC. A.C., SP. H/PER. 350)	3843432	1	.67	CLAMP, SUPPLY TANK (NOTE 4)
61-62	Y	3150916	1	855.00	RADIATOR (ALUMINUM) (STMPD. 3150916) (NOTE 1)
63-72	Y W/M.T. (EXC. 396, 427, 454, H.D.)	3155316	1	665.00	RADIATOR (CORE 19" WIDE) (NOTE 5)
65	Y (396)	3007436	1	640.00	RADIATOR (CORE 21" WIDE) (NOTE 2,5)
66-67	Y (427) (EXC. 3/2BC)	3008566	1	282.00	RADIATOR, W/OIL COOLER, W/O FINGER GUARD
67-69	Y (427) W/H.D.	3007436	1	640.00	RADIATOR (CORE 21" WIDE) (NOTE 2,5)
69	Y (EXC. H.D.)	3008566	1	282.00	RADIATOR, W/OIL COOLER, W/O FINGER GUARD
69	Y (427)	3019190	1	251.00	RADIATOR, W/OIL COOLER (CORE 27 1/2" WIDE)
69-72	Y W/T.M. (EXC. 427, 454)	3018802	1	316.00	RADIATOR, W/OIL COOLER (CORE 26" WIDE)
70-72	Y (350) W/H.D. 4-SPD., SP. H/PER.	3007436	1	640.00	RADIATOR (CORE 21" WIDE) (NOTE 2,5)
70-72	Y (454) (EXC. H.D.)	3019190	1	251.00	RADIATOR, W/OIL COOLER (CORE 27 1/2" WIDE)
70-71	Y W/H.D. RAD.	3007436	1	640.00	RADIATOR (CORE 21" WIDE) (NOTE 2,5)
72	Y (350) W/SP. H/PER. (EXC. H.D. 4-SPD.)	3018802	1	316.00	RADIATOR, W/OIL COOLER (CORE 26" WIDE)
73-75	Y	3030199	1	371.00	RADIATOR (MC)
76	Y (350) (EXC. H/PER.) (1ST DESIGN)	3030199	1	371.00	RADIATOR (MC, MD, ME, MG)

WAREHOUSING AND DISTRIBUTION DIVISION OF GENERAL MOTORS CORPORATION — CHEVROLET—14A

1.173-1.219

1-6

REV. 12-83

COOLING-GRILLE-OIL SYSTEM

1.219 BRACKET-CLAMP-RADIATOR -STRAP-TANK, Engine Cooling
(Con't)

76	Y (350) (EXC. H/PER.) (2ND DESIGN)	3035558	1	261.00	RADIATOR (MK) (1 1/2"RAD INL)
76	Y (350) W/H/PER. (EXC. A.C.) (2ND DESIGN)	3035558	1	261.00	RADIATOR (MK, MH, MI, MJ) (1 1/2"RAD INL)
76	Y (350) W/H/PER., A.C. (2ND DESIGN)	3035856	1	331.00	RADIATOR (ML)
77-79	Y (EXC. H.D. RAD.) (1ST DES 1979)	3035558	1	261.00	RADIATOR (MK, MJ) (1 1/2"RAD INL)
77-78	Y (350) W/A.C. (EXC. SP. H/PER.)	3035558	1	261.00	RADIATOR (MK) (1 1/2"RAD INL)
77-79	Y (350) W/SP. H/PER., A.C. (1ST DESIGN 1979)	3035856	1	331.00	RADIATOR (ML) (1 1/2"RAD INL)
77-79	Y W/H.D. RAD. (V01) (1ST DESIGN 1979)	3035856	1	331.00	RADIATOR (ML) (1 1/2"RAD INL)
79	Y (350) H/PERF) W/A.C. (2ND DESIGN)	3043087	1	317.00	RADIATOR (CODE FW) (1 1/4"RAD INL)
79	Y W/H.D. RAD (V01) (2ND DESIGN)	3043087	1	317.00	RADIATOR (CODE FW) (1 1/4"RAD INL)
79	Y (EXC. H.D. RAD) (V01) (2ND DESIGN)	3053440	1	265.00	RADIATOR (CODES FF, FN, FP, FR) (1 1/4"RAD INL)
80	Y (305H) (EXC. V08)	3053440	1	265.00	RADIATOR (CODES FF, FN, FP, FR)
80	Y (350) H/PERF W/A.C.	3043087	1	317.00	RADIATOR (CODE FW) (1 1/4"RAD INL)
80-81	Y W/H.D.C.	3043087	1	317.00	RADIATOR (CODE FW) (1 1/4"RAD INL)
80	Y (350) (EXC. SP. H/PERF. H.D.C. V08)	3053440	1	265.00	RADIATOR (CODES FF, FN, FP, FR)
81	Y (EXC. H.D.C. V08)	3053440	1	265.00	RADIATOR (CODE FF, FN, FP, FR)
82	Y	3053440	1	265.00	RADIATOR (CODES FK, FN, FP, FR)
63-66	Y (EXC. 427)	3816659	3	58	STRAP, SUPPLY TANK TO HOSE (2.559)
61-62	Y (2ND DESIGN)	3151016	1	91.50	TANK, SUPPLY (NOTE 3)
63-67	Y (EXC. 427)	3155418	1	79.25	TANK, SUPPLY
68	Y (EXC. A.C.)	3016340	1	93.00	TANK, SUPPLY
69	Y (EXC. T.H. 400, A.C.)	3016340	1	93.00	TANK, SUPPLY
70	Y W/3, H.D. 4-SPD. (EXC. A.C., H/PER. 350)	3016340	1	93.00	TANK, SUPPLY
71-72	Y W/M.T. (EXC. A.C., SP. H/PER. 350)	3016340	1	93.00	TANK, SUPPLY

1.240 CAP-RESERVOIR, Engine Coolant Recovery

NOTE 1: 2ND DESIGN 1977 W/SCREW ON CAP & MOLDED CONNECTIONS ON REC TANK HOSE.

73-76	Y	340194	1	2.25	CAP, TANK
77-82	Y	14011345	1	1.30	CAP, COOLANT RECOVERY
73	Y	334762	1	7.45	RESERVOIR,
74-77	Y (1ST DESIGN-1977)	339185	1	7.40	RESERVOIR, (NOTE 1)
77-82	Y (2ND DESIGN-1977)	473260	1	6.00	RESERVOIR (LESS CAP) (NOTE 1)

1.246 THERMOSTAT, Engine Coolant Temperature

53-64	Y	3041388	1	N.L.	THERMOSTAT (170 DEGREES)
53-62	Y	3041425	1	6.50	THERMOSTAT,
53-59	Y	3156260	1	10.00	THERMOSTAT (160 DEGREES)
65-69	Y (EXC. A.I.R.)	3041388	1	N.L.	THERMOSTAT (170 DEGREES)
66-69	Y W/A.I.R.	1254894	1	N.L.	THERMOSTAT (195 DEGREES)
70-74	Y	3041388	1	N.L.	THERMOSTAT (170 DEGREES)
75-80	Y	1254894	1	N.L.	THERMOSTAT (195 DEGREES)
81-82	Y	3051139	1	N.L.	THERMOSTAT (195 DEGREES)

1.263 BONDING STRIP-EXTENSION-PANEL-REINFORCEMENT-WASHER, Radiator

NOTE 1: WHEN USED ON EARLY DES. MDLS. IT MAY BE NECESSARY TO DRILL THE ATTACHING HOLES .78 DIA.

NOTE 2: PLASTIC LAMINATE.

63-67	Y	3797481	1	42.25	BONDING STRIP, FRT FDR UPR TO RAD GRILLE UPR PNL
63-67	Y	3859043	1	28.75	BONDING STRIP, FRT FDR UPR REINF AT RAD PNL
77-78	Y W/H.D. RAD.	466651	1	26.25	EXTENSION, RAD GRILLE LWR PNL
79	Y (350) W/SP. H/PER., A.C. (EXC. D75)	14004685	1	11.45	EXTENSION, RAD GRILLE LWR PNL
79	Y W/H.D. RAD. (V01) (EXC. D75)	14004685	1	11.45	EXTENSION, RAD GRILLE LWR PNL
63-67	Y	3831931	1	29.75	PANEL, GRILLE UPR (NOTE 1,2)
63-67	Y	3831932	1	46.75	PANEL, GRILLE LWR (NOTE 1,2)
68-72	Y	3995085	1	46.75	PANEL, GRILLE LWR

COOLING-GRILLE-OIL SYSTEM

1.263 BONDING STRIP-EXTENSION-PANEL-REINFORCEMENT-WASHER, Radiator (Con't)

73-79 Y	327641	1	46.75	PANEL, GRILLE LWR
68-72 Y	3938095	1	15.95	REINFORCEMENT, FRT FDR, UPR PNL FRT
69-82 Y	14030159	LH	2.30	REINFORCEMENT, FRT FDR SK
69-82 Y	14030160	RH	2.30	REINFORCEMENT, F/END PNL OUTER
80-82 Y	3958325	AR	.57	WASHER, RAD SUPT (8.143)

1.266 GRILLE -HOUSING, Radiator Grille

NOTE 1: 3875746 TOGETHER WITH 3897389 SUPPORT (2 REQ) MAY BE USED IN PLACE OF 3869148.

62 Y	3799730	1	74.50	GRILLE (ALUMINUM) (BLACK ANODIZED)
65-67 Y	3875746	1	153.00	GRILLE (NOTE 1)
68-89 Y	3988553	LH	18.30	GRILLE, OTR
68-69 Y	3966554	RH	17.35	GRILLE, OTR
68-69 Y	3986555	1	14.65	GRILLE, CTR
70-72 Y	3966772	1	21.75	GRILLE, CTR
73 Y	331834	1	35.50	GRILLE, CTR
73 Y	331835	LH	35.25	GRILLE, OTR
73 Y	331836	RH	35.25	GRILLE, OTR
74 Y	342275	LH	30.50	GRILLE, OTR
74 Y	342276	RH	30.50	GRILLE, OTR
74 Y	342277	1	35.25	GRILLE, CTR
75-79 Y	345487	LH	24.25	GRILLE, OTR
75-79 Y	345488	RH	24.25	GRILLE, OTR
80-82 Y	14011879	LH	24.25	GRILLE, OTR
80-82 Y	14011880	RH	24.25	GRILLE, OTR
70-72 Y	5964683	LH	130.00	HOUSING, W/GRL, PARK LP (2.586)
70-72 Y	5964384	RH	130.00	HOUSING, W/GRL, PARK LP (2.586)

1.267 BRACKET-NUT-SPACER-SUPPORT, Radiator Grille and Front End Panel

70-72 Y	3974009	LH	1.25	BRACKET, GRILLE
70-72 Y	3974010	RH	1.25	BRACKET, GRILLE
70-72 Y	3976359	LH	1.05	BRACKET, OTR
70-72 Y	3976360	RH	.65	BRACKET, OTR
75-79 Y	345485	LH	6.45	BRACKET, OTR
75-79 Y	345486	RH	6.45	BRACKET, OTR
75-79 Y	347917	LH	1.50	BRACKET, INR
75-79 Y	347918	RH	1.50	BRACKET, INR
64-66 Y	3831934	2	.35	NUT, CTR SUPT (10.262)
62 Y	3709917	1	.35	SPACER, HORIZONTAL BAR
65-67 Y	3897389	2	2.75	SUPPORT
69 Y (2ND DESIGN)	3953037	LH	4.90	SUPPORT, OTR, OTR (APPROX. 9")
70-72 Y	3963133	LH	1.40	SUPPORT, CTR
70-72 Y	3963134	RH	1.40	SUPPORT, CTR

1.268 BAR-MOLDING, Radiator Grille

NOTE 1: CUT AS REQUIRED.

63-64 Y	3830152	RH	5.75	BAR, OTR (NO. 1)
65 Y	3830152	RH	5.75	BAR, OTR (NO. 1, 2, 3) (NOTE 1)
58-62 Y	3740209	LH	21.50	MOLDING, BODY FRT TOP PNL FRT
58-62 Y	3740210	RH	21.50	MOLDING, BODY FRT TOP PNL FRT
58-62 Y	3740211	LH	16.10	MOLDING, BODY FRT BOTTOM PNL FRT
58-62 Y	3740212	RH	16.10	MOLDING, BODY FRT BOTTOM PNL FRT
58-62 Y	3799991	1	65.25	MOLDING, FRAME ASM, UPR
58-60 Y	3799993	1	71.25	MOLDING, FRAME ASM, LWR
63-64 Y	3797235	1	21.60	MOLDING, CTR
68-69 Y	3915847	LH	18.10	MOLDING, OTR
68-69 Y	3915848	RH	18.10	MOLDING, OTR

1.269 NUT, Radiator Grille

53-82 Y	1494257	AR	.30	NUT, FRT FDR UPR CBL
53-79 Y	3982098	AR	.38	NUT,

1.270 BOLT-BRACKET-CUSHION-FASTENER-INSULATOR-NUT-PLATE-RETAINER-SCREW -SHIM -SUPPORT-WASHER, Radiator

NOTE 1: WHEN RAD. SUPPORT ASM. 3858963 IS USED IN PLACE OF 3874760, BRACKET ASM. 3797221 MUST ALSO BE USED.

NOTE 2: 1ST DESIGN HAS STUDS AT LOWER CORNERS FOR ATTACHMENT OF FAN SHROUD, 2ND DESIGN HAS NO STUDS.

NOTE 3: IT MAY BE NECESSARY TO ADD TWO 1/4" HOLES FOR ATTACHING UPPER RAD. FAN SHROUD.

NOTE 4: 1ST DESIGN FOR 1982 HAS DEPRESSION AREA OF APPROX. 3 1/2 X 3/8. 2ND DESIGN HAS DEPRESSION AREA OF APPROX. 2 3/4 X 3/8.

COOLING-GRILLE-OIL SYSTEM

1.270 BOLT-BRACKET-CUSHION-FASTENER-INSULATOR-NUT-PLATE-RETAINER-SCREW -SHIM -SUPPORT-WASHER, Radiator (Con't)

74-79	Y		340717	AR	1.25	BOLT, RND HD SQ NK (7/16-14 X 1 3/4 PC)
74-79	Y		340718	AR	.54	BOLT, RND HD SQ NK (7/16-14 X 1 3/4 PC)
66-68	Y (427)	(EXC. H.D.)	3886877	LH	3.85	BRACKET, UPR
66-68	Y (427)	(EXC. H.D.)	3886878	RH	3.80	BRACKET, UPR
69	Y	(EXC. H/PER., SP. H/PER. 427)	3966657	1	3.00	BRACKET, SUPT UPR
70	Y	(350) W/M.T. (EXC. A.C. PERF. SUSP.)	3966657	1	3.00	BRACKET, SUPT UPR
71-72	Y	(350) W/SP. H/PER., PERF. SUSP.	3966657	1	3.00	BRACKET, SUPT UPR
71	Y	W/H.D. RAD. (EXC. SP. H/PER. 454)	3966657	1	3.00	BRACKET, SUPT UPR
71-72	Y	W/M.T. (EXC. A.C., H/PER. 454)	3966657	1	3.00	BRACKET, SUPT UPR
73-79	Y		327842	2	2.85	BRACKET, SUPT MT INTER
53-62	Y		367314	AR	.67	CUSHION, SUPT (1 1/2" X 4 X 3/16" THICK)
63-72	Y		3797412	1	.43	CUSHION, UPR
69-72	Y	(350) W/M.T. (EXC. A.C.)	3784424	4	.51	FASTENER, SUPT SI SEAL RET (6.758)
66-67	Y	(427) (EXC. H.D.)	3886891	4	1.00	INSULATOR, LWR SUPT BRKT (5 3/8)
68	Y		3886891	4	1.00	INSULATOR, LWR SUPT BRKT (5 3/8)
69	Y	(427) W/A.C., T.H. 400, H/PER., SP. H/PER.	3886891	4	1.00	INSULATOR, LWR SUPT BRKT (5 3/8)
70	Y	(350) W/M.T., A.C. (EXC. H/PER.)	3886891	4	1.00	INSULATOR, SUPT BRKT (5 3/8)
70-72	Y	(350) W/A.T.	3886891	4	1.00	INSULATOR, SUPT BRKT (5 3/8)
70	Y	(350) W/H/PER.	3886891	1	1.00	INSULATOR, SUPT BRKT (5 3/8)
70-72	Y	(454) (EXC. H.D.)	3886891	4	1.00	INSULATOR, SUPT BRKT (5 3/8)
71-72	Y	(350) W/M.T., A.C.	3886891	4	1.00	INSULATOR, SUPT BRKT (5 3/8)
73-76	Y	(1ST DESIGN)	3886891	4	1.00	INSULATOR, SUPT BRKT (5 3/8)
76	Y	(350) W/SP. H/PER. (2ND DESIGN)	379932	4	.65	INSULATOR, UPR SUPT (4")
76-80	Y	(350) W/SP. H/PER. (EXC. A.C.) (2ND DESIGN)	379932	4	.65	INSULATOR, UPR SUPT (4")
76	Y	(350) W/SP. H/PER. (EXC. A.C.) (2ND DESIGN)	379941	2	.60	INSULATOR, LWR SUPT (4")
76	Y	(350) W/SP. H/PER., A.C. (2ND DESIGN)	458355	2	.60	INSULATOR, LWR SUPT (4")
76	Y	(350) W/SP. H/PER., A.C. (2ND DESIGN)	458356	2	.60	INSULATOR, UPR SUPT (4")
77-80	Y	(350) (EXC. SP. H/PER., H.D. RAD (V01, V08)	379932	2	.65	INSULATOR, UPR SUPT (4")
77-80	Y	(350) (EXC. SP. H/PER., H.D. RAD (V01, V08)	379941	2	.60	INSULATOR, LWR SUPT (4")
77-80	Y	(350) W/SP. H/PER., (EXC. A.C.)	379941	2	.60	INSULATOR, LWR SUPT (4")
77-80	Y	(350) W/SP. H/PER., A.C. (C60)	458355	2	.60	INSULATOR, LWR SUPT (4")
77-80	Y	(350) W/SP. H/PER., A.C. (C60)	458356	2	.60	INSULATOR, UPR SUPT (4")
77-81	Y	W/H.D. RAD (V01, V08)	458355	2	.60	INSULATOR, LWR SUPT (4")
77-82	Y	W/H.D. RAD. (V01, V08) (1ST DES 1982)	458356	2	.60	INSULATOR, UPR SUPT (4") (NOTE 4)
80	Y	(305H) (EXC. V08)	379941	2	.60	INSULATOR, LWR SUPT (4")
81	Y	(EXC. V08)	379932	2	.65	INSULATOR, UPR SUPT (4")
81	Y	(EXC. V08)	379941	2	.60	INSULATOR, LWR SUPT (4")
82	Y	(2ND DESIGN)	379932	2	.65	INSULATOR, UPR SUPT (4") (NOTE 4)
82	Y	W/H.D. RAD (V01, V08) (1ST DESIGN)	458355	2	.60	INSULATOR, LWR SUPT
82	Y	(2ND DESIGN)	379941	2	.60	INSULATOR, LWR SUPT (4")
67-82	Y		3903539	AR	.54	NUT (1/4-20)
69-70	Y	(350) W/M.T., A.C. (EXC. H/PER.)	3952974	RH	6.45	PLATE
69-72	Y	(350) W/A.T.	3952974	RH	6.45	PLATE
69-72	Y	(350) W/A.T.	3952977	LH	4.20	PLATE
69	Y	(427) W/H/PER. SP. H/PER. (EXC. A.C.)	3952976	RH	4.20	PLATE
69	Y	(427) W/A.C., H/PER., SP. H/PER.	3952977	LH	4.20	PLATE
70	Y	(350) W/H/PER.	3952974	RH	6.45	PLATE

COOLING-GRILLE-OIL SYSTEM

1.270 BOLT-BRACKET-CUSHION-FASTENER-INSULATOR-NUT-PLATE-RETAINER-SCREW -SHIM -SUPPORT-WASHER, Radiator (Con't)

70	Y (350) W/M.T., A.C. (EXC. H/PER.)	3952977	LH	4.20	PLATE
70	Y (350, 454) W/H/PER.	3952977	LH	4.20	PLATE
70-72	Y (454) (EXC. H.D. RAD.)	3952976	RH	4.20	PLATE
71-72	Y (350) W/M.T., A.C.	3952974	RH	6.45	PLATE
71-72	Y (350) W/M.T., A.C.	3952977	LH	4.20	PLATE
71-72	Y (454) (EXC. H.D. RAD.)	3952977	LH	4.20	PLATE
73-76	Y	3952976	RH	4.20	PLATE
73-76	Y	3952977	LH	4.20	PLATE
69-79	Y	3966532	AR	.42	RETAINER, SUPT SEAL
77-79	Y	3966532	2	.42	RETAINER, UPR RAD SEAL
82	Y	3966532	2	.42	RETAINER, FRT AIR INT DUCT (PUSH IN)
67-82	Y	3903536	AR	.35	SCREW (1/4-20 X .81)
67-81	Y	3714962	AR	.35	SHIM (1 3/4 X 1 3/4 X 1/16 THK.) (.54 SLOT)
69-73	Y	3952926	4	.35	SHIM, SUPT LWR
63-65	Y (EXC. A.C., 396)	3858963	1	99.50	SUPPORT, (NOTE 1)
69	Y (EXC. A.C., T.H. 400, 427)	3966591	1	102.00	SUPPORT
69	Y (427) (EXC. H.D.)	339176	1	142.00	SUPPORT
69	Y (427) W/H.D.	3966597	1	117.00	SUPPORT
69	Y W/A.C. (EXC. T.H. 400, 427 H/PER.)	3966594	1	102.00	SUPPORT
69	Y W/T.H. 400 (EXC. H/PER., SP. H/PER., H.D., 427)	3966594	1	102.00	SUPPORT
70	Y (350) W/M.T., A.C. (EXC. H/PER.)	3966594	1	102.00	SUPPORT
70-72	Y (350) W/SP. H/PER. (EXC. H.D. 4-SPD.)	3966594	1	102.00	SUPPORT
70	Y (350) W/H/PER.	3966594	1	102.00	SUPPORT
70-72	Y (350) W/H.D. 4-SPD., SP. H/PER.	3966597	1	117.00	SUPPORT
70-72	Y (454) (EXC. H.D. RAD.)	339176	1	142.00	SUPPORT
70-72	Y W/A.T. (EXC. 454)	3966594	1	102.00	SUPPORT
70-71	Y W/H.D. RAD.	3966597	1	117.00	SUPPORT
70	Y W/3-SPD. (EXC. A.C., H/PER. 350, 454)	3966591	1	102.00	SUPPORT
71-72	Y (350) W/4-SPD. (EXC. A.C., SP. H/PER)	3966591	1	102.00	SUPPORT
71-72	Y (350) W/M.T., A.C.	3966594	1	102.00	SUPPORT
73-75	Y	339176	1	142.00	SUPPORT, (NOTE 3)
76	Y (1ST DESIGN)	339176	1	142.00	SUPPORT, (NOTE 2)
76	Y (2ND DESIGN)	14045929	1	142.00	SUPPORT, (NOTE 2)
77-81	Y	14045929	1	142.00	SUPPORT
82	Y	14045929	1	142.00	SUPPORT
53-77	Y	3833649	AR	.54	WASHER, FL (468 X 1.76 X .18 STL PL)
80-82	Y	3813432	2	.33	WASHER, RAD FAN SHRD (7.833)

1.271 BRACE, Radiator and Front End Tie

80-82	Y	14016173	1	4.60	BRACE
-------	---	----------	---	------	-------

1.272 BAFFLE-DEFLECTOR, Radiator Air

58-62	Y	3740282	1	28.00	BAFFLE, LWR (PLASTIC LAMINATE)
80-82	Y	14015276	1	94.75	DEFLECTOR, LWR

1.274 ROD-SEAL, Radiator Support Mounting

63-65	Y	3830916	RH	4.00	ROD, HDLP OPG BODY INR END BRACE
66-67	Y (EXC. H.D. 427)	3886881	LH	3.85	ROD, HDLP OPG BODY INR END BRACE
67	Y (427) W/H.D.	3830916	RH	4.00	ROD, HDLP OPG BODY INR END BRACE
68-70	Y	3919753	1	1.20	SEAL, LWR BAFFLE FRT
68-69	Y (EXC. 427, 454)	3919739	1	2.80	SEAL, UPR BAFFLE
69-75	Y	14016160	2	3.95	SEAL, SUPT SI(3.417)
69	Y (427) W/M.T. (EXC. H.D., A.C.)	14016160	1	3.95	SEAL, UPR LWR SI RH AND LH RAD SUPT (3.417)
70-71	Y	14016160	1	3.95	SEAL, UPR, LWR SI RH & LH RAD SUPT, SUPT TO HOOD (3.417)
70-71	Y (350) (EXC. H.D. 4-SPD.)	331871	1	13.10	SEAL, SUPT TO HOOD
70-71	Y (350) (EXC. H.D. 4-SPD.)	3919739	1	2.80	SEAL, UPR BAFFLE
70-71	Y (350) W/H.D. 4-SPD., SP. H/PER.	347910	1	15.00	SEAL, SUPT UPR
70-71	Y (454) (EXC. H.D. RAD.)	347910	1	15.00	SEAL, SUPT UPR
72-81	Y	331871	1	13.10	SEAL, SUPT TO HOOD
72	Y (454)	14016160	1	3.95	SEAL, UPR(3.417)

COOLING-GRILLE-OIL SYSTEM

1.274 ROD-SEAL, Radiator Support Mounting (Con't)

73-74	Y (150)	14016160	1	3.95	SEAL, RAD FAN SHRD LWR SI RAD SUPT UPR LWR ST
73-74	Y (454) (EXC. A.C.)	14016160	1	3.95	SEAL, RAD FAN SHRD LWR, SI RAD, SUPT UPR LWR ST (3.417)
75-76	(EXC. A.C.)	347910	1	15.00	SEAL, SUPT UPR
75-77	Y (350)	14016160	AR	3.95	SEAL, SUPT SI (CUT TO SIZE & ADD HOLES AS REQD) (3.417)
76	Y (EXC. A.C.) (2ND DESIGN)	379988	RH	2.55	SEAL, SUPT UPR (5" LONG)
76	Y (350) W/SP.H/PER, W/A.C. (CGO) (2ND DES)	458360	RH	2.55	SEAL, SUPT UPR (5" LONG)
76-81	Y W/A.C., H.D. RAD	458359	LH	3.30	SEAL, SUPT UPR
77-81	Y (EXC. A.C. OR H.D.C.V08)	379988	RH	2.55	SEAL, SUPT UPR (5" LONG)
77-81	Y W/A.C., H.D. RAD	458360	RH	2.55	SEAL, SUPT UPR (5" LONG)
78-81	Y (EXC. A.C., H.D. RAD. (V01)	14016160	1	3.95	SEAL, SUPT SI (3.417)
80-82	Y	14016160	2	3.95	SEAL, SUPT SI(3.417)
82	Y (EXC H.D.C. V08)	379987	LH	2.55	SEAL, SUPT UPR
82	Y (EXC H.D.C. V08)	379988	RH	2.55	SEAL, SUPT UPR (5" LONG)
82	Y W/H.D.C. (V08) (2ND DES)	379987	LH	2.55	SEAL, SUPT UPR (1.80" HEIGHT)
82	Y W/H.D.C. (V08) (2ND DES)	379988	RH	2.55	SEAL, SUPT UPR (1.80" HEIGHT)
82	Y W/H.D.C. (V08) (1ST DES)	458359	LH	3.30	SEAL, SUPT UPR (1.10" HEIGHT)
82	Y W/H.D.C. (V08) (1ST DESIGN)	458360	RH	2.55	SEAL, SUPT UPR (1.10" HEIGHT)

1.276 CLIP-NUT-SCREW, Radiator Baffle and Shroud

76-77	Y	10013764	2	.35	CLIP, FAN SHROUD TO SUPT
78-82	Y	8264031	AR	.30	CLIP, FAN SHROUD TO SUPT (3.162)
68-79	Y	3915336	4	.54	NUT, SHROUD
74-82	Y	3915336	1	.54	NUT, HTR & A.C. DUCT
77-81	Y	3960314	AR	.33	SCREW (5/16-18 X 13/16 PC)

1.277 BRACKET-EXTENSION-SHROUD-SUPPORT, Radiator Fan

NOTE 1: IT MAY BE NECESSARY TO ADD TWO HOLES FOR ATTACHING TO UPPER SHROUD MOUNTING BRACKET, AND RELOCATE UPPER MOUNTING BRACKET FORWARD AND DRILL TWO NEW HOLES FOR ATTACHING BRACKET.

NOTE 2: WITH ANGULAR TABS FOR SHROUD MOUNTING.

NOTE 3: NO ANGULAR TABS FOR SHROUD MOUNTING.

NOTE 4: 2ND DESIGN 14018585 DOES NOT HAVE AIR DOOR, FOR 1ST DESIGN SEE 14016177 (1980).

69-76	Y (1ST DESIGN-1976)	339177	LH	3.85	BRACKET, FAN SHROUD UPR SUPT (NOTE 3)
69-76	Y (1ST DESIGN-1976)	339178	RH	3.85	BRACKET, FAN SHROUD UPR SUPT (NOTE 3)
76-82	Y (2ND DESIGN-1976)	14016151	LH	3.85	BRACKET, FAN SHROUD SUPT (NOTE 2)
76-82	Y (2ND DESIGN-1976)	14016152	RH	3.85	BRACKET, FAN SHROUD SUPT (NOTE 2)
70-75	Y (350)	331870	1	17.75	EXTENSION, SHROUD
70-74	Y (454) W/A.C.	338152	1	16.20	EXTENSION, SHROUD
71	Y W/H.D. RAD.	331870	1	17.75	EXTENSION, SHROUD
55-62	Y	3770284	1	43.50	SHROUD, UPR (ROUND)
55-62	Y	3770287	LH	20.05	SHROUD, LWR
55-62	Y	3770288	RH	20.05	SHROUD, LWR
65	Y (396)	3872995	LH	38.25	SHROUD (PLASTIC) (ROUND)
66-67	Y (327)	3888885	LH	18.55	SHROUD (PLASTIC)
66-67	Y (327)	3888886	RH	18.55	SHROUD (PLASTIC)
66-67	Y (327)	3888268	1	18.55	SHROUD, UPR (PLASTIC)
66-68	Y (427)	3938940	1	84.50	SHROUD (PLASTIC)
68	Y W/A.C., T.H. (EXC. 427)	3938940	1	84.50	SHROUD (PLASTIC)
68	Y W/A.T. (EXC. A.C.)	3938940	1	84.50	SHROUD (PLASTIC)
69	Y (427) W/A.C., H/PER., SP. H/PER.	3958119	1	46.25	SHROUD (PLASTIC)
69	Y W/A.C. (EXC. 427 H/PER.)	3958109	1	46.25	SHROUD (PLASTIC)
70	Y (350) W/3-SPD (EXC H/PER. 454)	3938940	1	84.50	SHROUD (PLASTIC)
70	Y (350) W/A.T.	3938940	1	84.50	SHROUD (PLASTIC)
70	Y (350) W/M.T., A.C. (EXC. H/PER.)	3958109	1	46.25	SHROUD (PLASTIC)
70	Y (350) W/4-SPD., SP. H/PER. (EXC. H.D.4-SPD.)	3958109	1	46.25	SHROUD (PLASTIC)
70-72	Y (350) W/A.T.	3958109	1	46.25	SHROUD (PLASTIC)
70	Y (350) W/H/PER	3958109	1	46.25	SHROUD (PLASTIC)
70-72	Y (454) (EXC. A.C., H.D. RAD.)	3958119	1	46.25	SHROUD (PLASTIC)
71	Y (350) W/A.T. (EXC. A.C.)	3938940	1	84.50	SHROUD (PLASTIC)
71-72	Y (350) W/M.T., A.C.	3958109	1	46.25	SHROUD (PLASTIC)
71-72	Y (350) W/SP.H/PER (EXC. HD 4-SPD)	3958109	1	46.25	SHROUD (PLASTIC)
71	Y W/H.D. RAD.	3958109	1	46.25	SHROUD (PLASTIC)
72	Y (454) W/A.C.	3958119	1	46.25	SHROUD (PLASTIC)

COOLING-GRILLE-OIL SYSTEM

1.277 BRACKET-EXTENSION-SHROUD-SUPPORT, Radiator Fan (Con't)

73-75	Y	339175	1	46.25	SHROUD (NOTE 1)
76	Y (1ST DESIGN)	368081	1	46.25	SHROUD (PLASTIC) (NOTE 3)
76	Y (2ND DESIGN)	14028585	1	46.25	SHROUD, (NOTE 2)
77	Y (350) (EXC SP H/PER)	14028585	1	46.25	SHROUD, (NOTE 2)
78	Y	14028585	1	46.25	SHROUD, (NOTE 2)
79-80	Y (350) W/SP. H/PER.	14016176	1	46.25	SHROUD.
79-80	Y (350) (EXC. SP H/PER.)	14028585	1	46.25	SHROUD, (NOTE 2)
80	Y (305H)	14028585	1	46.25	SHROUD, (NOTE 2)
80	Y (350) (EXC. SP H/PER.) (2ND DESIGN)	14028585	1	46.25	SHROUD (NOTE 4)
81-82	Y	14028585	1	46.25	SHROUD
88-71	Y (EXC. H.D. 427)	3919745	2	7.40	SUPPORT, SI SHROUD LWR
72	Y (350)	3919745	2	7.40	SUPPORT, SI SHROUD LWR

1.287 BRACKET-EXTENSION-REINFORCEMENT-ROD-SHIELD, Radiator to Grille

NOTE 1: WHEN USING 3963112 IN PLACE OF 3947978 CUT AS REQ'D FOR EXHAUST PIPE CLEARANCE.

NOTE 2: SHIM AS REQUIRED.

68-76	Y	3976514	2	1.10	BRACKET, U/B SPLASH SHIELD
69-72	Y	3840474	2	2.80	BRACKET, U/B SPLASH SHIELD (8.857)
68-72	Y	3974013	1	26.50	EXTENSION, LWR PNL
73-79	Y (EXC. Z78)	327695	1	23.75	EXTENSION, LWR PNL
73-74	Y (454) W/A.C.	336176	1	5.45	EXTENSION, LWR PNL
80-82	Y	14018063	LH	21.85	EXTENSION, LWR PNL
80-82	Y	14018064	RH	21.85	EXTENSION, LWR PNL
73-74	Y (454) W/A.C.	336177	1	2.45	REINFORCEMENT, LWR PNL EXT
77-79	Y W/H.D. RAD (V01) (EXC. Z78, D75)	336177	1	2.45	REINFORCEMENT, LWR PNL EXT
78-79	Y W/SP. H/PER., A.C. (EXC. D75)	336177	1	2.45	REINFORCEMENT, LWR PNL EXT
69-72	Y	3974016	1	2.65	ROD, SUPT TO FRT FDR UPR (NOTE 2)
73-79	Y	331841	1	2.65	ROD, SUPT TO FRT FDR UPR
69-75	Y	6263551	LH	3.85	SHIELD, U/B SPLASH
69-75	Y W/A.C.	6263554	RH	7.30	SHIELD, U/B SPLASH
70-72	Y	6263552	RH	3.80	SHIELD, U/B SPLASH
73-75	Y (EXC. A.C.)	6263552	RH	3.80	SHIELD, U/B SPLASH

1.303 EMBLEM-EMBLEM KIT-NUT, Radiator Grille and Front End Ornamentation

65-66	Y	3872929	1	9.75	EMBLEM, BODY FRT
67	Y	3894544	1	9.75	EMBLEM, BODY FRT
68-72	Y	3912706	1	9.75	EMBLEM (CROSSED FLAGS)
77-79	Y	379918	1	9.75	EMBLEM, BODY FRT
78	Y	472717	1	12.40	EMBLEM, BODY FRT
80	Y	14018098	1	9.75	EMBLEM, BODY FRT
81	Y	14030129	1	9.75	EMBLEM, BODY FRT
82	YY07	14042290	1	10.40	EMBLEM, BODY FRT
82	Y87	14042292	1	9.45	EMBLEM, BODY FRT
73-74	Y	6259872	1	13.75	EMBLEM KIT, W/NUTS, BODY FRT
75-76	Y	358738	1	18.05	EMBLEM KIT, BODY FRT
75-76	Y	368895	2	.30	NUT, FRT EMBLEM (5/32" x 3/4")

1.426 PAN-PAN KIT, Engine Oil

NOTE 1: INCLUDES PAN, GASKET KIT.

56	Y	380867	1	105.00	PAN
57-62	Y	359937	1	75.00	PAN (5 QT. CAP.) (18" HOLES)
63-65	Y (EXC. F.I., SP. H/PER., W/MECH. LIFTERS)	380866	1	75.00	PAN
63-65	Y W/F.I., SP. H/PER., MECH. LIFTERS (EXC. 396)	359942	1	77.25	PAN
66-68	Y (327)	380866	1	75.00	PAN
69-72	Y (350) (EXC. SP. H/PER.)	380866	1	75.00	PAN
69-71	Y (350) W/SP. H/PER.	359942	1	77.25	PAN
72	Y (350) W/H.D. 4-SPD., SP. H/PER.	359942	1	77.25	PAN
72	Y (350) W/SP. H/PER. (EXC. H.D. 4-SPD.)	380866	1	75.00	PAN
73-74	Y (350)	360866	1	75.00	PAN
80-82	Y	14067383	1	70.25	PAN,
65-74	Y (396, 427, 454)	3977591	1	98.25	PAN KIT
74-79	Y (350) (EXC SP. H/PER)	465221	1	53.75	PAN KIT, (NOTE 1)
75-79	Y W/SP. H/PER.	465220	1	65.25	PAN KIT,

MICROFICHE INDEX
GROUPS 0.000 THRU 2.000 & 21.000
FICHE 1 OF 6

GROUP DESCRIPTION	STARTING GRID LOCATION	
	PARTS	ILLUSTRATIONS
- INTRODUCTION	A-6	J-2
- GENERAL INFORMATION	A-2	J-2
- ALPHABETICAL INDEX	C-11	N.A.
- INDEX FOR ADDITIONAL INFORMATION	A-5	N.A.
0.000 ENGINE - CLUTCH	D-12	J-6
1.000 COOLING - GRILLE - OIL SYSTEM	E-11	K-15
2.000 CHASSIS WIRING - LAMPS	G-13	L-7
21.000 ACCESSORY REFERENCE LIST	D-9	N.A.
- OUT OF FICHE CALLS	N.A.	N-2

F1

COOLING-GRILLE-OIL SYSTEM

1.428 SCREW-STUD, Oil Pan

66-82	Y	3856691	1	.23	SCREW, W/LW, FRT CTR HOLE (1/4-20 X 5/8)
82	Y	6270052	2	.40	STUD, OIL PAN (#4 & 5 PH)

1.429 GASKET KIT-GASKET UNIT-SEAL, Oil Pan

NOTE 1: WHEN USING ON H/PER. (327) MODELS, USE (2) 3767556 EXHAUST PIPE PACKING.
 NOTE 2: CONTAINS SIDE GASKETS, SEALS, AND PACKING.
 NOTE 3: IF ORIGINAL OIL PAN HAS BEEN REPLACED, PART 357159 FRONT SEAL MAY BE REQUIRED ON 1974 AND PRIOR MODELS.

57-74	Y (8 CYL.) (EXC. 454)	14002201	1	9.40	GASKET KIT, (NOTE 1...2...3)
65-70	Y (396, 427, 454)	3958614	1	N.L.	GASKET KIT
75-79	Y	14002203	1	N.L.	GASKET KIT
75-76	Y (454)	3958614	1	N.L.	GASKET KIT
80-81	Y (305, 350)	14019828	1	N.L.	GASKET KIT, OIL PAN
82	Y	14019828	1	N.L.	GASKET KIT, OIL PAN
56-67	Y (265, 283, 327)	3931599	1	3.60	GASKET UNIT, LH AND RH SI
68-77	Y (327, 350)	3931599	1	3.60	GASKET UNIT, SI
55-74	Y (8 CYL.) (EXC. 396, 427, 454)	458625	1	1.70	SEAL, RR
55-68	Y (8 CYL.) (EXC. 396, 427)	3887151	1	1.30	SEAL, FRT (.22" THICK)
65-70	Y (396, 427, 454)	3909800	1	2.50	SEAL, FRT
65-74	Y (396, 427, 454)	3955115	1	2.50	SEAL, RR
69-74	Y (350)	3887151	1	1.30	SEAL, FRT (.22" THICK)
72-74	Y (454)	3909800	1	2.50	SEAL, FRT
75-81	Y	357159	1	1.35	SEAL, FRT (.41" THICK)
75-81	Y	458625	1	1.70	SEAL, RR
82	Y	357159	1	1.35	SEAL, FRT (.41" THICK)
82	Y	458625	1	1.70	SEAL, RR

1.430 BAFFLE, Oil Pan

60-61	Y W/4BC, F.I., H.L. CAM	3769768	1	3.75	BAFFLE
62-65	Y W/F.I., SP. H/PER., MECH. LIFTERS	3769768	1	3.75	BAFFLE
65-74	Y (396, 427, 454)	3967854	1	4.95	BAFFLE
69	Y (350) W/SP. H/PER.	3769768	1	3.75	BAFFLE
70-72	Y (350) W/4-SPD., SP. H/PER. (EXC. H.D.4-SPD.)	3989075	1	6.80	BAFFLE
73-75	Y (350) W/SP. H/PER.	3989075	1	6.80	BAFFLE
76-79	Y W/SP. H/PER.	3927136	1	15.55	BAFFLE
80	Y (350) W/SP. H/PER.	14031347	1	6.65	BAFFLE, UPR

1.453 FLANGE -PLUG -SCREW, Oil Pan Drain

53-57	Y	3723008	1	.74	FLANGE (1 3/8 X 7/8 W/1/2"-20 HOLE IN CTR)
62-65	Y (EXC. 396)	3723008	1	.74	FLANGE (1 3/8 X 7/8 W/1/2"-20 HOLE IN CTR)
66-67	Y W/P.G.	3723008	1	.74	FLANGE (1 3/8 X 7/8 W/1/2"-20 HOLE IN CTR)
70	Y (350) W/SP. H/PER.	3723008	1	.74	FLANGE (1 3/8 X 7/8 W/1/2"-20 HOLE IN CTR)
71	Y (350) W/4-SPD.	3723008	1	.74	FLANGE (1 3/8 X 7/8 W/1/2"-20 HOLE IN CTR)
71-74	Y (454)	3723008	1	.74	FLANGE (1 3/8 X 7/8 W/1/2"-20 HOLE IN CTR.)
53-70	Y W/MAGNETIC DRAIN PLUG	337185	1	3.35	PLUG (1/2-20)
53-81	Y	3923420	AR	.61	SCREW (NON-MAGNETIC) (1/2"-20 X 13/16")
82	Y	3923420	AR	.61	SCREW, OIL PAN DRAIN(1/2-20 X 7/8")

1.456 GASKET, Oil Pan Drain Plug

53-82	Y	3921989	AR	.48	GASKET, OIL PAN DRN SCR (NYLON 1/2" I.D. X 29/32" O.D.)
-------	---	---------	----	-----	---

1.516 INDICATOR-TUBE, Oil Level

NOTE 1: MUST BE USED WITH TUBE 3981089 ONLY.
 NOTE 2: 1ST DES FOR 1976 MEASURES 17 5/16 FROM CAP TO FULL MARK AND 18 3/16 FROM CAP TO ADD MARK.
 NOTE 3: 2ND DES FOR 1976 MEASURES 20 IN FROM CAP TO FULL MARK AND 21 IN FROM CAP TO ADD MARK.
 NOTE 4: WHEN USING 3981089 IN PLACE OF 3870324, 3981088 INDICATOR MUST BE USED.

53-55	Y (8 CYL.)	3701558	1	2.45	INDICATOR (DIP-STICK)
56-57	Y	3722959	1	2.45	INDICATOR (DIP-STICK)
58-64	Y	3846810	1	2.45	INDICATOR (DIP-STICK)
65-74	Y (327, 350) (EXC. F.I.)	3862730	1	2.20	INDICATOR (DIP-STICK)
65-74	Y (396, 427, 454)	3981088	1	2.60	INDICATOR (DIP-STICK) (NOTE 1)
65-66	Y W/SP. H/PER., F.I. (EXC. 427)	3862730	1	2.20	INDICATOR (DIP-STICK)

COOLING-GRILLE-OIL SYSTEM

1.516		INDICATOR-TUBE, Oil Level		(Con't)		
75-76	Y	3951576	1	2.60	INDICATOR (DIP-STICK) (NOTE 2)	
76-79	Y	3981019	1	1.80	INDICATOR (DIP-STICK) (NOTE 3)	
80-82	Y	14028165	1	1.30	INDICATOR (DIP-STICK)	
53-55	Y (6 CYL.)	3829073	1	1.00	TUBE	
56	Y (2ND DESIGN)	3732488	1	1.30	TUBE, UPR (8 21/32" O.L.) (CURVED)	
56-68	Y (2ND DESIGN) (EXC. 396, 427)	3951600	1	1.30	TUBE, LWR	
57-64	Y	3732488	1	1.30	TUBE, UPR (8 21/32" O.L.) (CURVED)	
65-74	Y (327, 350)	3865664	1	1.65	TUBE, UPR	
65-74	Y (396, 427, 454)	3981089	1	10.90	TUBE (NOTE 4)	
69-70	Y (327, 350)	3951600	1	1.30	TUBE, LWR	
73-74	Y (350)	3951600	1	1.30	TUBE, LWR	
75-79	Y	3951600	1	1.30	TUBE, LWR	
75-76	Y (1ST DESIGN)	3876870	1	1.30	TUBE, UPR (6 1/2" FROM SHLDR TO TOP OF TUBE)	
76-79	Y (2ND DESIGN)	480147	1	1.40	TUBE, UPR (8 3/4" FROM SHLDR TO TOP OF TUBE)	
80-81	Y	14028101	1	1.50	TUBE	
82	Y	14055168	1	4.10	TUBE	
1.531		ADAPTER-CONNECTOR-PLUG, Oil Distribution				
68-72	Y	3906194	1	.51	ADAPTER, OIL PRESS GAGE HOSE CONN AT ENG	
53-58	Y (6 CYL.)	3836566	1	5.80	CONNECTOR, W/PIPE (NO CENTER PIN)	
64-79	Y	3853958	AR	.62	CONNECTOR (.127-27 PL)	
53-61	Y (6 CYL.)	3835577	AR	.28	PLUG, BLOCK MAIN OIL GALLERY FRT. HOLE (0.034)	
1.609		PLUG-RETAINER-SPRING-VALVE, Oil Pressure Regulator				
75-81	Y	3704871	1	.77	PLUG, OIL PRESS REG VLV SPRING STOP	
82	Y	3704871	1	.77	PLUG, OIL PRESS REG VLV SPRING STOP	
53-63	Y	3701564	1	.30	RETAINER, PRESS REG. VLV SPRING (7/16" O.D.)	
65-74	Y (396, 427, 454)	3701564	1	.30	RETAINER, PRESS REG. VLV SPRING (7/16" O.D.)	
62	Y (283, 327)	3814903	1	.36	SPRING, PRESS REG VLV (21 COILS-2 7/32 FREE LENGTH)	
63	Y (1ST DESIGN)	3814903	1	.36	SPRING, PRESS REG VLV (21 COILS-2 7/32 FREE LENGTH)	
63-64	Y (2ND DESIGN)	3848911	1	.77	SPRING, PRESS REG VLV (21 COILS) (STRIPE OF WHITE)	
65	Y (EXC. F.I., SP. H/PER. W/MECH LIFTERS)	3814903	1	.36	SPRING, PRESS REG VLV (21 COILS-2 7/32 FREE LENGTH)	
65	Y (396)	3876866	1	.36	SPRING, PRESS REG VLV (24 COILS, 5/16 O.D. X 2 7/16 FREE LENGTH) (STRIPE OF LT. GREEN)	
65	Y W/F.I., SP. H/PER., MECH. LIFTERS (EXC. 396)	3848911	1	.77	SPRING, PRESS REG VLV (21 COILS) (STRIPE OF WHITE)	
66-72	Y (327, 350) (EXC. SP. H/PER.)	3814903	1	.36	SPRING, PRESS REG VLV (21 COILS-2 7/32 FREE LENGTH)	
66-74	Y (396, 427, 454) (EXC. SP. H/PER., 3/2BC, H.D., AL. CYL. AND CASE)	3860378	1	.56	SPRING, PRESS REG VLV (27/64 O.D. X 2 1/2 FREE LENGTH)	
66-69	Y (427) W/SP. H/PER., H.D., AL. CYL. AND CASE	3876866	1	.36	SPRING, PRESS REG VLV (24 COILS, 5/16 O.D. X 2 7/16 FREE LENGTH) (STRIPE OF LT. GREEN)	
69-72	Y (350) W/SP. H/PER.	3848911	1	.77	SPRING, PRESS REG VLV (21 COILS) (STRIPE OF WHITE)	
71	Y (454) W/SP. H/PER.	3876866	1	.36	SPRING, PRESS REG VLV (24 COILS, 5/16 O.D. X 2 7/16 FREE LENGTH) (STRIPE OF LT. GREEN)	
73-81	Y	3814903	AR	.36	SPRING, PRESS REG VLV (21 COILS-2 7/32 FREE LENGTH)	
82	Y (5.7)	3814903	AR	.36	SPRING, PRESS REG VLV (21 COILS-2 7/32 FREE LENGTH)	
53-70	Y (EXC. 396, 427, 454)	3702366	1	1.25	VALVE, PRESS REG (11/32 I.D. X 7/16 O.D. X 1 3/16, 16 O.L.)	
65-74	Y (396, 427, 454)	3860377	1	1.30	VALVE, PRESS REG (1 49/64" O.L. X 7/16" O.D.)	
73-81	Y	3702366	1	1.25	VALVE, PRESS REG (11/32 I.D. X 7/16 O.D. X 1 3/16 16 O.L.)	

COOLING-GRILLE-OIL SYSTEM

	1.609	PLUG-RETAINER-SPRING-VALVE, Oil Pressure Regulator (Con't)			
82	Y	3702366	1	1.25	VALVE, PRESS REG
	1.639	PIN-RETAINER-SHAFT-SHAFT KIT-SLEEVE, Oil Pump			
		<i>NOTE 1: FOR USE WITH PUMP HAVING RETAINER RING GROOVE.</i>			
65	Y (396) W/SP. H/PER.	3877674	1	.35	PIN, DIST TO OIL PUMP INTER RET
65-74	Y (396, 427, 454) (EXC. SP. H/PER, H.D.)	3836903	2	.35	PIN, OIL PUMP (8.939)
66-71	Y (427, 454) W/SP. H/PER., H.D., AL. CYL. AND CASE	3877674	1	.35	PIN, DIST TO OIL PUMP INTER RET
59-81	Y (8 CYL.) (EXC. 396, 427, 454)	3764554	1	.31	RETAINER, DIST TO PUMP INTER SHF
82	Y	3764554	1	.31	RETAINER, DIST TO OIL PUMP SHF
58-59	Y (283)	3739828	1	5.70	SHAFT, W/SLEEVE, DIST TO PUMP (2.372)
59-69	Y (283, 307, 327, 350)	3998287	1	5.60	SHAFT, DIST TO PUMP INTER (2.372) (NOTE 1)
59-69	Y (283, 327, 350) (2ND DESIGN)	3998287	1	5.60	SHAFT, W/INTER, TO OIL PUMP
73-81	Y (305, 350)	3998287	1	5.60	SHAFT, INTER, TO OIL PUMP
73	Y (350)	3998287	1	5.60	SHAFT, DIST TO PUMP INTER (2.372) (NOTE 1)
82	Y	3998287	1	5.60	SHAFT, DISTR TO OIL PUMP INTER
65-70	Y (396, 427) W/H.D., SP. H/PER.	3865886	1	7.35	SHAFT KIT, W/RET, DIST TO OIL PUMP INTER (2.372)
65-69	Y (396, 427) (EXC. SP. H/PER., H.D. AL. CYL. AND CASE)	3998289	1	4.50	SHAFT KIT, W/RET, DISTR TO OIL PUMP INTER
70-71	Y (454) (EXC. SP. H/PER.)	3998289	1	4.50	SHAFT KIT, W/RET, DISTR TO OIL PUMP INTER
70-74	Y (454) (EXC. SP. H/PER.)	3998289	1	4.50	SHAFT KIT, W/RET, DISTR TO OIL PUMP INTER
71	Y (454) W/SP. H/PER.	3865886	1	7.35	SHAFT KIT, W/RET, DIST TO OIL PUMP INTER (2.372)
75-76	Y (454)	3998289	1	4.50	SHAFT KIT, W/RET, DISTR TO OIL PUMP INTER
58-59	Y (8 CYL.)	3877672	1	2.35	SLEEVE, DIST TO OIL PUMP INTER SHAFT
65-71	Y (396, 427, 454) W/SP. H/PER., H.D., AL. CYL. AND CASE	3877672	1	2.35	SLEEVE, DIST TO OIL PUMP INTER SHAFT
	1.652	BOLT -PUMP-STUD-WASHER, Engine Oil Pump			
		<i>NOTE 1: INCLUDES PUMP ASM., SCREEN ASM., INTERMEDIATE SHAFT AND RETAINER. WHEN INSTALLING ON MODELS WITH (348) ENGINE DISCARD THE INTERMEDIATE SHAFT AND USE OLD SHAFT.</i>			
55-62	Y (8 CYL.)	3754998	1	.54	BOLT (7/16"-14 X 2 3/16" HEX LOCK)
67-81	Y (305, 327, 350)	3892678	1	.54	BOLT, PUMP AND SCREEN (7/16-14 X 2)
82	Y	3892678	1	.54	BOLT, OIL PUMP (7/16-14 X 2)
59-63	Y (1ST DESIGN)	3764547	1	N.L.	PUMP
63-64	Y (2ND DESIGN)	3848907	1	55.50	PUMP
65	Y (327) (EXC. F.I., SP. H/PER. W/MECH. LIFTERS)	3764547	1	N.L.	PUMP
65	Y (327) W/F.I., SP. H/PER., MECH. LIFTERS	3848907	1	55.50	PUMP
66-69	Y (327, 350)	3764547	1	N.L.	PUMP
66	Y (427) (EXC. SP. H/PER., H.D.)	14067529	1	77.25	PUMP
67-74	Y (396, 427, 454) (EXC. 3/28C, SP. H/PER., H.D., AL. CYL. AND CASE)	14067529	1	77.25	PUMP
67-70	Y (427) W/H.D.	175902	1	66.50	PUMP, W/SCREEN
69	Y (427) W/AL. CYL. AND CASE	389870	1	72.00	PUMP, W/SCREEN
69	Y (427) W/H/PER.	14024484	1	66.50	PUMP, W/SCREEN
70-72	Y (350) (EXC. SP. H/PER.)	3764547	1	N.L.	PUMP
70-72	Y (350) W/SP. H/PER.	3848907	1	55.50	PUMP
70-73	Y (454) W/H/PER.	14024484	1	66.50	PUMP, W/SCREEN
71	Y (454) W/SP. H/PER.	175902	1	66.50	PUMP, W/SCREEN
72-74	Y (454)	14024484	1	66.50	PUMP, W/SCREEN
73-81	Y (305, 350)	3764547	1	N.L.	PUMP
82	Y	3764547	1	N.L.	PUMP
65-74	Y (396, 427, 454)	3866604	1	1.60	STUD, PUMP AND SCREEN (3 13/64 O.L.)
76-81	Y	3882643	AR	.28	WASHER, OIL PUMP

1.656 SCREEN, Oil Pump

NOTE 1: FOR USE WITH PUMP HAVING RETAINER RING GROOVE.

55-57	Y (8 CYL.)	3754942	1	4.95	SCREEN (2" O.L.) W/SUCTION PIPE
58-62	Y	3764113	1	4.80	SCREEN (NOTE 1)

COOLING-GRILLE-OIL SYSTEM

1.656		SCREEN, Oil Pump (Con't)			
63-75	Y (327, 350)	3830080	1	4.80	SCREEN (YELLOW STAIN ON PIPE NEAR SCREEN)
67-69	Y (427) (EXC. H.D.)	6269895	1	4.95	SCREEN
70-74	Y (454)	6269895	1	4.95	SCREEN
76-79	Y (350)	3855152	1	4.80	SCREEN
80-81	Y (350)	3830080	1	4.80	SCREEN (YELLOW STAIN ON PIPE NEAR SCREEN)
82	Y	3830080	1	4.80	SCREEN (YELLOW STAIN ON PIPE NEAR SCREEN)
1.723		COVER, Oil Pump			
55-59	Y (8 CYL.)	3836980	1	11.15	COVER
63	Y (1ST DESIGN)	3836980	1	11.15	COVER
65	Y (327) (EXC. F.I., SP. H/PER. W/MECH. LIFTERS)	3836980	1	11.15	COVER
66-69	Y (327)	3836980	1	11.15	COVER
67-74	Y (396, 427, 454) (EXC. SP. H/PER., 3/2BC, H.D., AL. CYL. AND CASE)	3908628	1	11.15	COVER
69-72	Y (350) (EXC. SP. H/PER.)	3836980	1	11.15	COVER
73-81	Y (305, 350)	3836980	1	11.15	COVER
82	Y	3836980	1	11.15	COVER
1.745		ARRESTOR-CONNECTOR-ELBOW-GROMMET-NIPPLE-NUT-TEE-TUBE-VALVE-VENTILATOR, Crankcase			
NOTE 1: GROMMET 383167; REPLACED GROMMET 3715628 AND RETAINER 3727693.					
64-66	Y W/CLOSED VENT., A.I.R. (EXC. F.I.)	3849858	1	1.30	ARRESTOR, FLAME
64-65	Y W/F.I.	3857476	1	2.05	ARRESTOR, FLAME C/CASE VENT
67-68	Y (327, 427) (EXC. 3/2BC)	3849858	1	1.30	ARRESTOR, FLAME
67	Y (427) W/3/2BC	3857476	1	2.05	ARRESTOR, FLAME C/CASE VENT
69-72	Y	3849858	1	1.30	ARRESTOR, FLAME
53-81	Y	3829150	1	2.75	CONNECTOR (1 1/8" LONG)
53-81	Y	3856955	1	4.00	CONNECTOR (5 16/32" LONG)
64-76	Y	555214	1	1.65	CONNECTOR (1 1/16" LONG)
65-73	Y	3868642	1	2.30	CONNECTOR (1 5/8" LONG)
68-74	Y	3923260	1	1.75	CONNECTOR (3 1/4" LONG)
78-81	Y	472852	1	2.45	CONNECTOR, C/CASE VENT HOSE (2" LONG)
76-82	Y	391095	AR	1.55	ELBOW, VENT PIPE (RUBBER GROMMET)
63	Y (8 CYL.)	3831671	1	1.10	GROMMET, VENT. HOSE CONN (NOTE 1)
65-71	Y	3894337	AR	.35	GROMMET (15/16 I.D. X 1 7/32 O.D.)
65-67	Y (396, 427) (EXC. SP. H/PER.)	3989347	1	.47	GROMMET, VENT VLV
66-67	Y (427) W/SP. H/PER.	3989347	1	.47	GROMMET, VENT PIPE, VENT VALVE
68-69	Y (EXC. 396, 427)	3994239	AR	.59	GROMMET, C/CASE VENT
68-70	Y (427, 454)	3989347	1	.47	GROMMET, VENT. PIPE, VENT. VALVE
69	Y (350)	3989348	RH	.72	GROMMET, VENT (3/4" X 1/8" O.D. SQ FLAT)
70-81	Y	3989350	AR	.72	GROMMET (23/32" X 1 3/16")
70-71	Y (350) (EXC. H/PER., SP. H/PER.)	3994239	AR	.59	GROMMET, VENT HOSE R.H. (23/32 I.D. X 1 7/32 O.D.)
70-71	Y (350) W/H/PER., SP. H/PER.	3989348	RH	.72	GROMMET, VENT (3/4" X 1/8" O.D. SQ FLAT)
71-72	Y	3989348	RH	.72	GROMMET, VENT (3/4" X 1/8" O.D. SQ FLAT)
71-74	Y (454)	3989347	1	.47	GROMMET, VENT (23/32" I.D. X 1 7/16" O.D.)
75-82	Y	3989348	RH	.72	GROMMET, VENT (3/4" X 1/8" OD)
75-78	Y (350) (EXC. H/PER.)	3994239	AR	.59	GROMMET, VENT HOSE R.H. (23/32 I.D. X 1 7/32 O.D.)
75-80	Y W/SP. H/PER.	3989349	LH	.81	GROMMET, VENT. (3/4" X 3/8")
81-82	Y	3989349	LH	.81	GROMMET, VENT (3/4" X 3/8 OD)
76-79	Y (EXC. SP. H/PER.)	336018	1	.49	NIPPLE, VENT TO MANIF HOSE (1/14"-18)
82	Y	336018	1	.49	NIPPLE, C/CASE VENT TO MANIF HOSE (1/14-18)
82	Y	14047089	1	6.55	NUT, OIL FIL TUBE
64-67	Y	3989020	1	1.20	TEE, C/CASE VENT HOSE (3/8-18 PIPE THDS ONE 3/8 HOSE)
64-65	Y (8 CYL.) W/P.G., ALL WEATHER A.C.	336015	1	1.75	TEE, VAC INL MANIF (3/8-18 THDS. AND TWO 1/4 HOSE TAKE-OFFS) (3.278)
70-71	Y (350) W/E.E.C.	3970076	1	2.20	TEE, C/CASE VENT HOSE
73	Y (EXC. SP. H/PER.)	3970076	1	2.20	TEE, EVAP EMISSION HOSE

COOLING-GRILLE-OIL SYSTEM

1.745 ARRESTOR-CONNECTOR -ELBOW-GROMMET-NIPPLE-NUT-TEE-TUBE-VALVE-VENTILATOR , Crankcase (Con't)

80-81	Y (350) W/M.T. (M18)	1234292	1	8.30	TEE, HOSE (4.931)
55-62	Y (8 CYL.)	3711724	1	2.60	TUBE, W/BRKT, FIL (6 13/32" LONG)
63	Y W/SP. H/PER.	3834118	1	9.90	TUBE, FIL (CHROME)
64-65	Y (EXC. SP. H/PER., F.I.)	3846123	1	11.50	TUBE, FIL
64-65	Y (327) W/SP. H/PER., F.I.	3846102	1	8.95	TUBE, FIL
66-67	Y (327)	3888362	1	12.25	TUBE, OIL FIL (CHROME)
68	Y (EXC. 396, 427)	3923234	1	6.15	TUBE, OIL FIL
82	Y	14047081	1	10.60	TUBE, FIL
62	Y (8 CYL) W/CLOSED VENT. (EXC. 283)	6421934	1	3.00	VALVE, VENT (9CV-590)
63-64	Y (327) (1ST DESIGN)	6421934	1	3.00	VALVE, VENT (9CV-590)
63-64	Y (427) (EXC. 3/2BC) (1ST DESIGN)	6423695	1	N.L.	VALVE, VENT (CV-736C)
66	Y (327)	6422721	1	4.19	VALVE, VENT (CV-726C)
66-67	Y (427) (EXC. 3/2BC) (1ST DESIGN)	6423695	1	N.L.	VALVE, VENT (CV-736C)
66-68	Y (427) W/SP. H/PER. (2ND DESIGN)	6423695	1	N.L.	VALVE, VENT (CV-736C)
68-70	Y (427) W/H.D.	6484525	1	2.69	VALVE, VENT (CV-746C)
69-72	Y (8 CYL.) (EXC. H.D. 427, 454, SP. H/PER. 350)	6423695	1	N.L.	VALVE, VENT (CV-736C)
70-73	Y (350) W/SP. H/PER.	6484525	1	2.69	VALVE, VENT (CV-746C)
73	Y (EXC. SP. H/PER.)	6487532	1	N.L.	VALVE, VENT
74-75	Y (EXC. SP. H/PER.)	6487779	1	N.L.	VALVE, VENT (CV-774C)
74-80	Y (350) W/SP. H/PER.	6487945	1	3.14	VALVE, VENT (CV-775C)
76-80	Y (350) (EXC. SP. H/PER.)	6487779	1	N.L.	VALVE, VENT (CV-774C)
80	Y (305)	6487779	1	N.L.	VALVE, VENT (CV-774C)
81	Y (350)	6487779	1	N.L.	VALVE, VENT (CV-774C)
82	Y	25040026	1	N.L.	VALVE, VENT
55-67	Y (265, 283, 327)	3728502	1	24.65	VENTILATOR (MTD. INSIDE OF ENGINE 5 3/4" LG.)

1.758 CAP-GASKET , Crankcase Oil Filler

53-55	Y (6 CYL.)	6410961	1	N.L.	CAP
55	Y (8 CYL.)	6419440	1	4.33	CAP (AIR BREATHER TYPE FB8)
63-65	Y (EXC. 396)	3714893	1	1.75	CAP
66-67	Y (396, 427)	6410961	1	N.L.	CAP
66-67	Y (327) W/SP. H/PER.	3881834	1	2.20	CAP
66	Y (427) (EXC. SP. H/PER.)	3714893	1	1.75	CAP
67-68	Y	3881834	1	2.20	CAP
68-70	Y (427, 454)	3851735	1	2.75	CAP (CHROME)
69-80	Y	6410961	1	N.L.	CAP (TYPE FC-2)
69-81	Y (350) W/SP. H/PER.	3851735	1	2.75	CAP (CHROME)
71	Y (350)	3980273	1	1.15	CAP (RUBBER PUSH ON TYPE)
71-72	Y (454)	14067301	1	N.L.	CAP (RUBBER PUSH ON TYPE)
81	Y	6410961	1	N.L.	CAP (TYPE FC-2)
81	Y (350)	3851735	1	2.75	CAP
82	Y	14047082	1	3.25	CAP
63-65	Y	3723688	1	.35	GASKET (CORK)

1.762 HOSE-PIPE-TUBE, Crankcase Ventilation

NOTE 1: IT MAY BE NECESSARY TO CUT 6-1/2" FROM LOWER END TO TUBE ASM.

NOTE 2: IT MAY BE NECESSARY TO CUT 1" FROM THE 1-1/8" END.

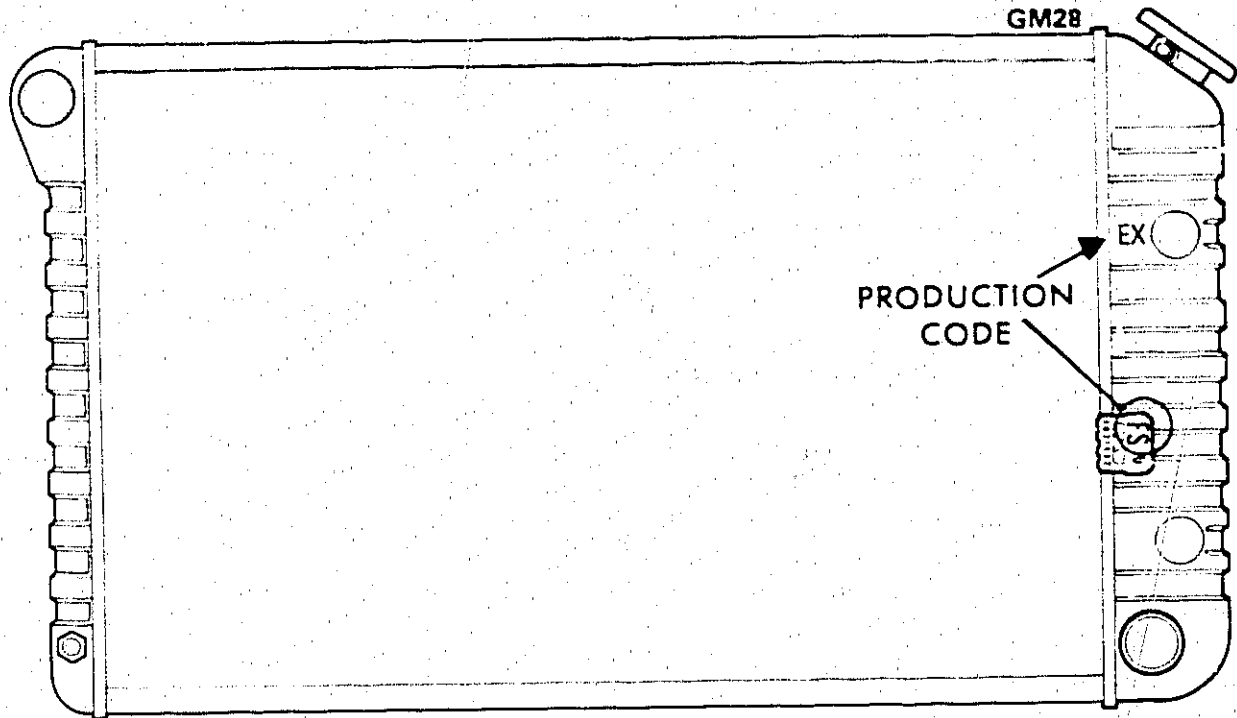
67	Y (427) W/SP. H/PER.	3902350	1	4.00	HOSE, VENT TO A/CL
68-72	Y (EXC. 427, 454)	3932336	1	4.80	HOSE, VENT A/CL TO RKR CVR (NOTE 2)
68-72	Y (427, 454) (EXC. 3/2BC, SP. H/PER., H.D.)	3916380	1	3.80	HOSE, TO A/CL
73-75	Y	3905067	1	8.45	HOSE, TO A/CL (3.675)
82	Y	14045839	1	2.75	HOSE, VENT
73-75	Y (350)	330534	1	4.80	PIPE
73-74	Y (454)	330523	1	4.60	PIPE
76-80	Y	3970072	1	1.60	PIPE (5 3/4")
81	Y	14067348	1	1.80	PIPE
82	Y	14045840	1	4.90	TUBE, VENT

1.800 SENDER-SENSOR-SWITCH, Oil Pressure or Temperature

73-75	Y	14039612	1	N.L.	SENDER, OIL PRESS
76-81	Y W/GAGES	14039612	1	N.L.	SENDER, OIL PRESS
82	Y	14073454	1	18.50	SENDER, OIL PRESS (3-BLADE TERM, 1/8- 27 THREAD)
81-82	Y W/STEREO, C.B.	25036292	1	10.25	SENSOR, OIL TEMP
74-79	Y (EXC. GAGES)	3815936	1	N.L.	SWITCH
77-79	Y (EXC. SP. H/PER.)	3815936	1	N.L.	SWITCH

COOLING-GRILLE-OIL SYSTEM

1.803		BUSHING-ELBOW-FITTING-GAGE-HOSE -PIPE-WASHER, Oil Pressure Gage		
74-79	Y	14022026	1	4.60 BUSHING, OIL PRESS SENDER
69-72	Y (396, 427, 454) (EXC. SF. H/PER. H.D.)	3954219	1	2.75 ELBOW, SW
80-81	Y	3954222	1	3.85 FITTING, SENDER
81-82	Y	14047147	1	3.55 FITTING, OIL PRESS GA
68-73	Y	6462928	1	31.30 GAGE
74	Y	8464081	1	20.40 GAGE
75-76	Y	6464285	1	18.85 GAGE, W/RES
77	Y	6464854	1	17.25 GAGE, W/RES
78-82	Y	25025147	1	18.30 GAGE, W/RES, OIL PRESS
81-82	Y	8993781	1	26.70 GAGE, W/BK PLT, OIL TEMP
73	Y (350)	3906192	1	2.90 HOSE (5/64 I.D. X 1/8 O.D. W/5/16-24 INT. THREAD NUT EACH END) (BLACK NYLON)
70-72	Y (454)	3961560	1	5.10 PIPE, GAGE
82	Y	6455751	AR	.20 WASHER, GAGE MT (3.108)
1.836		ELEMENT-FILTER, Oil Filter		
NOTE 1: SOME 1968 MODELS USED 1967 ENGINES. REFER TO NOTE NO. 4 IN GROUP 0.033.				
NOTE 2: CONSISTS OF 12 SINGLE ELEMENTS 5574540.				
55	Y (8 CYL.)	5572288	1	7.80 ELEMENT (AC-P-115) TYPE SC-353 (1 QT. CAP)
58-67	Y (8 CYL.)	5574540	1	5.93 ELEMENT (AC-PF-141) (PM-16-1) (1 QT. CAP) (FLEET PACK) (REPLACEABLE ELEMENT)
58-67	Y (8 CYL.)	5576054	1	5.08 ELEMENT (FLEET PACK) (TYPE 12-141) (NOTE 2)
68-82	Y	6438261	1	N.L. FILTER, OIL (PF25) (NOTE 1)
1.837		BODY-VALVE, Oil Filter		
56-67	Y (8 CYL.)	5574535	1	18.22 BODY, W/STUD (1 QT. CAP)
56-67	Y (8 CYL.)	5573979	1	16.83 VALVE, BY PASS (1 QT. CAP)
69-70	Y (427) W/AL. CYL. AND CASE	5575416	1	2.38 VALVE, BY PASS
1.840		ADAPTER-BOLT, Oil Filter		
NOTE 1: SOME EARLY 1968 MODELS USED 1967 ENGINES. REFER TO NOTE NO. 3 IN GROUP 0.033.				
NOTE 2: WHEN USING 3952301 IN PLACE OF 3916238 IT IS NECESSARY TO DISCARD THE ATTACHING SCREWS AND USE TWO 3951644 BOLTS.				
68-78	Y (8 CYL.) (EXC. AL. CYL. AND CASE)	3952301	1	6.75 ADAPTER, W/VLV (NOTE 1...2)
79-82	Y	3952301	1	6.75 ADAPTER, OIL FILTER BY PASS VLV
68	Y (8 CYL.)	3933126	2	.44 BOLT, FILTER ADAPTER (5/16-18 X 1 1/4)
1.844		GASKET, Oil Filter		
58-67	Y (8 CYL.)	5573980	1	.45 GASKET, BODY OR CAVITY CVR
82	Y	14047090	1	.61 GASKET, OIL FILL TUBE
1.855		CONNECTOR, Oil Filter		
69	Y (427) W/AL. CYL. AND CASE	3853870	1	1.80 CONNECTOR, ELEMENT TO ENG



**GM REFERENCE
1976 THRU 1979
RADIATOR CHART**

PRODUCTION RADIATOR CODE	SERVICE NUMBER	PRODUCTION RADIATOR CODE	SERVICE NUMBER	PRODUCTION RADIATOR CODE	SERVICE NUMBER	PRODUCTION RADIATOR CODE	SERVICE NUMBER
AA	3031551	CU	3030100	EN	3030125	HM	3038863
AC	3031551	CV	3031446	EO	3030125	HN	3038863
BA	3035459	CW	3030100	EP	3030125	HO	3038863
BB	3035459	CX	3030100	ES	3030128	HT	3037633
BC	3035459	CY	3030100	ET	3030125	HU	3038868
BD	3035459	CZ	3030100	EU	3030125	HW [ⓑ]	3034803
BF	3035459	DA	3031657	FA	3032109	HX [ⓐ]	3038868
BH	3035459	DB [ⓐ]	3031657	FB	3032109	HY	3038868
BI	3035459	DC	3031657	FC	3032109	HZ	3038868
BJ	3040815	DD	3041394	FD	3031059	LA	3030125
BK	3035459	DF	3031657	FE	3031058	LB	3040994
BL	3035459	DG	3031657	FI	3031059	LC	3030125
BM	3035459	DH [ⓐ]	3036408	FJ	3031058	LD	3030125
BN	3035459	DI	3036408	FK	3030837	LG	3030128
BO	3035459	DJ	3036408	FM	3033326	LH	3030125
BP	3037822	DK [ⓐ]	3046408	FN	3031058	LJ	3030125
BR	3037822	DL	3041394	FO	3031059	LK	3039053
BS	3037823	DM	3041394	FP	3053440	LL	3030125
BU	3040815	DN	3041394	FQ	3031058	LM	3040994
BW	3035459	DO	3041394	FR [ⓐ]	3031058	LO	3031644
CA [ⓐ]	3030142	DP	3041394	FS	3030837	LQ	3030128
CB [ⓐ]	3030142	DR	3041394	FT	3042475	LR	3039053
CC	3033759	DS	3041394	FU	3032109	LS	3031644
CD	3030100	DT	3041394	FW [ⓐ]	3031058	LT	3030128
CE	3030100	DU	3031657	FX	3031058	LU	3030125
CF	3043525	DV	3031657	FY	3031058	LV	3030125
CG [ⓐ]	3030142	DW	3031657	FZ	3036403	LW	3030125
CH	3030100	DX [ⓐ]	3030108	HA	3037633	LY	3030125
CI	3030100	DY	3041394	HB	3037633	MC	3030199
CJ	3033759	DZ [ⓐ]	3041403	HC	3041743	MH	3035558
CK	3030100	EC	3030125	HD	3041743	MI	3035558
CL	3030100	ED	3030125	HE	3041181	MJ	3035558
CM	3030100	EE	3031644	HG	3039932	MK	3035558
CN	3030100	EG	3030125	HH	3039932	ML	3035856
CO [ⓐ]	3030142	EH	3033326	HI	3037633		
CP	3030142	EJ	3030125	HJ	3037633		
CR	3030100	EK	3030125	HK [ⓐ]	3037633		
CT [ⓐ]	3030142	EM	3033326	HL	3038863		

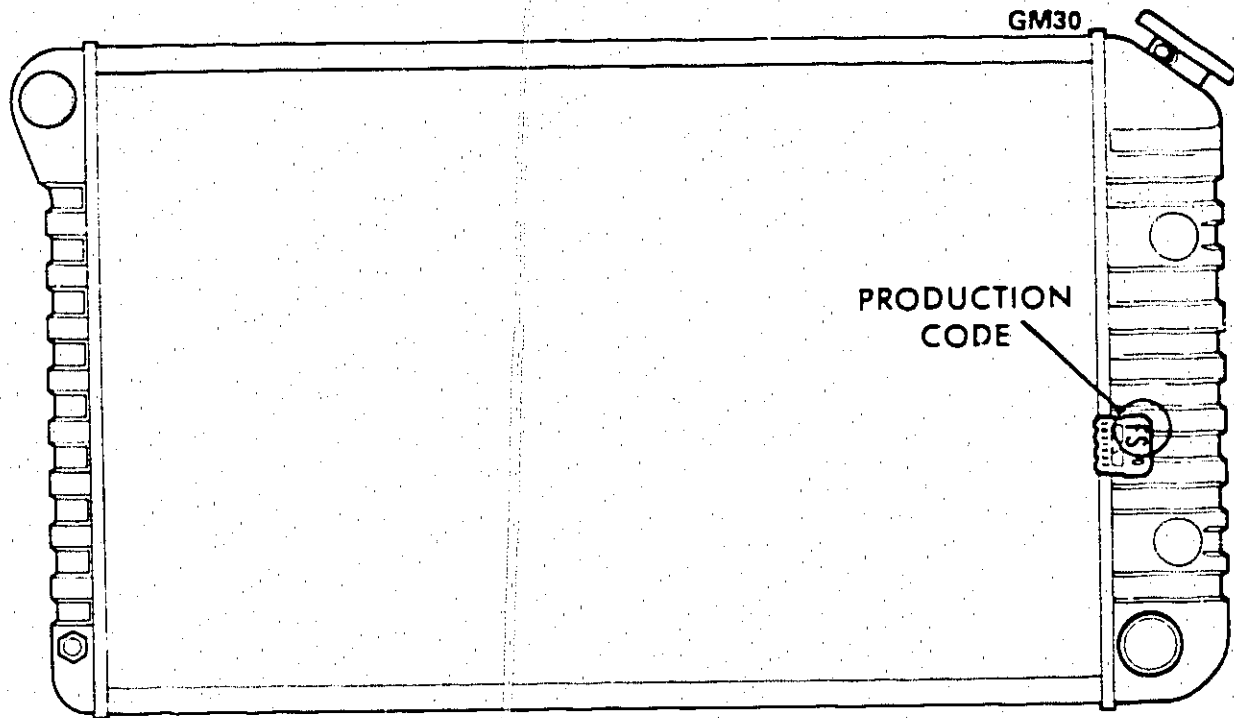
**GM REFERENCE
1976 THRU 1979
RADIATOR CHART
(Continued)**

GM29

PRODUCTION RADIATOR CODE	SERVICE NUMBER	PRODUCTION RADIATOR CODE	SERVICE NUMBER	PRODUCTION RADIATOR CODE	SERVICE NUMBER	PRODUCTION RADIATOR CODE	SERVICE NUMBER
MR	3041007	PK	3038045	TP	3036576	XJ	3039111
MS	3041007	PL	3038045	TR ¹⁶	3036657	XL	3031067
MT	3040956	PM	3038045	TS	3036657	XM	3030217
MU	3040956	PN	3038045	TT	3039932	XN	3030223
MW	3041007	PO	3038045	TU	3040829	XO	3030223
MX	3041067	PP	3038057	TW ²¹	3040833	XP	3030222
MY	3041067	PR	3038057	TX ²¹	3040833	XQ	3030223
MZ	3041067	PS	3038057	TY ²¹	3040833	XR	3039115
MT	3041067	PT	3038057	TZ ²¹	3040833	XS	3031067
MZ	3041067	PU	3038057	UD	3036657	XT	3039115
NA	3039648	PX	3038057	UE	3034918	XU	3039117
NB	3039650	PY	3038057	UF ²¹	3039525	XV	3027207
NC	3039650	RA	3037877	UG ²¹	3039525	XW	3027208
NF	3042251	RB	3037878	UH	3034963	XX	3039117
NI	3025911	RC	3037877	UI ¹⁸	3033389	XY	3028734
NN	3037084	RD	3037878	UJ ¹⁵	3034963	YA	3036977
NO	3037084	RF	3036890	UK ¹⁵	3034963	YB	3036977
NP	3037084	RH	3036990	UL	3038868	YC	3036977
NR	3037084	RK	3036991	UM	3034918	YD	3036977
NS	3037084	RL	3041014	UN	3034918	YF	3035447
NT	3037582	RN	3040957	UO	3038868	YH	3035697
NU	3037084	RO	3041014	UR	3037096	YI	3035534
NW	3037582	RS	3039184	US ¹⁵	3037309	YJ	3035534
NX	3036977	RT	3039463	UT	3038868	YK	3035534
NY	3036977	RU	3037910	UU	3037932	YL	3037084
NZ ²¹	3025911	SA ²¹	3030142	UW	3035525	YM	3035447
OA	3030100	SB	3033759	UX	3039525	YN	3035697
OB	3031988	SC	3036576	UY	3039525	YO	3035697
OC ²¹	3030142	SD	3036576	UZ	3039525	YR	3036977
OD	3031988	SF ¹¹	3037488	WA	3030475	YS	3035447
OE	3030100	SH	3041727	WB	3030476	YT	3035447
OF	3030100	SI	3030100	WC	3039704	YU	3035447
OG	3030100	SJ ¹¹	3030100	WD	3039704	YW	3036977
OH ²¹	3030142	SK	3030100	WE	3031992	YX	3036977
OJ	3030100	SL	3037433	WF	3039704	YY	3036977
OK	3031446	SM ¹⁴	3037488	WG	3031992	YZ	3035447
OL	3030142	SN	3041731	WJ	3030475	ZA	3038057
OM	3030142	SO	3040896	WK	3031992	ZB	3038057
ON	3030142	SP	3040896	WM	3039665	ZC	3038057
OO	3037669	SR	3040896	WN	3039665	ZD	3038057
OQ	3031989	SS	3040896	WO	3039665	ZF	3038057
OR	3030100	ST	3036576	WP	3039665	ZJ	3040821
OS	3030142	SU	3036576	WR	3039111	ZK	3040821
OT ¹¹	3030142	TA	3036567	WS	3039111	ZL	3040821
OU	3030142	TB	3040829	WT	3039115	ZM	3040821
OV	3030142	TC	3040829	WU	3039704	ZN	3040821
OW	3030100	TD ²¹	3040833	WW	3039731	ZO	3040821
OX	3030143	TF ²¹	3040833	WX	3039731	ZP	3040821
OY	3030100	TH ²¹	3040833	WZ	3039655	ZR	3040821
PA	3038045	TI ²¹	3040833	XA ¹¹	3036736	ZS	3040821
PB ¹¹	3038045	TJ	3036581	XC	3036736	ZW	3030437
PC ¹¹	3038045	TK	3036581	XD	3036739	ZY	3030437
PD ¹¹	3038045	TL ¹⁸	3036581	XF	3030223		
PF	3038045	TM	3036576	XH	3037853		
PH	3038045	TN	3036576	XK	3030217		
PJ	3038045	TO	3036576				

- ① FOR 76 & 77 MODELS USE - 3036656
- ② FOR OLDSMOBILE USE - 3038816
- ③ FOR PONTIAC USE - 3027578
- ④ FOR CHEVY T-CAR USE - 3036567
- ⑤ FOR ALL ENGINES (EXC. 301, 305U) USE - 3027578
- ⑥ FOR CHEVROLET B-CAR USE - 3027578
- ⑦ FOR OLDSMOBILE USE - 3031446
- ⑧ FOR BUICK USE - 3039932, FOR CHEVROLET USE - 303496 NR
- ⑨ FOR 78 & 79 MODELS USE - 3039115
- ⑩ FOR 79 USE - 3041394
- ⑪ FOR 79 USE - 3031181 NR
- ⑫ FOR 79 USE - 3041743
- ⑬ FOR 79 USE - 3041727

- ⑭ FOR 79 USE - 3041731
- ⑮ FOR 79 USE - 3038868
- ⑯ FOR 79 USE - 3042243
- ⑰ FOR 79 USE - 3042072
- ⑱ FOR CHEVETTE USE - 3040829
- ⑲ FOR CHEVROLET USE - 3043083
- ⑳ FOR CHEVROLET USE - 3043087
- ㉑ FOR BUICK A, B (231-3) w/GU4, GU5 AC (EXC V08) USE 3041394
- ㉒ FOR 79 USE 3041394
- ㉓ USE WITH 1191141 PLUG & 1470030 CLAMP TO CLOSE EXTRA HOLE



**GM REFERENCE
1980-81 RADIATOR CHART**

PRODUCTION RADIATOR CODE	SERVICE NUMBER	PRODUCTION RADIATOR CODE	SERVICE NUMBER	PRODUCTION RADIATOR CODE	SERVICE NUMBER	PRODUCTION RADIATOR CODE	SERVICE NUMBER
AA	3042661	CF	3043525	FB	3043076	MC	3043406
AB	3042661	CH	3043530	FC	3043076	MD	3043391
AC	3042661	CJ	3047999	FD	3043079	MF	3043390
AD	3042661	CK	3043530	FH	3043076	MH	3043406
AF	3042661	CL	3043525	FJ	3043077	MJ	3043390
AH	3042661	CM	3047999	FL	3043076	MK	3043390
AJ	3043070	CN	3048001	FM	3043077	ML	3043391
AK	3042661	CO	3048001	FN	3053440	MM	3043390
AL	3042675	CP	3043525	FP	3053440	MN	3043391
AM	3042668	CS	3043527	FR	3053440	MO	3043391
AN	3042668	CU	3043527	FS	3043084	MP	3043390
AO	3042668	CY	3043530	FT	3043084	MR	3043390
AP	3042668	DA	3042776	FU	3043086	MS	3043396
AR	3042675	DB	3042777	FW	3043087	MT	3043396
AS	3042675	DC	3043361	FX	3043086	MU	3043406
AT	3042668	DD	3043360	HG	3039932	MW	3043406
AU	3042668	DF	3043361	HW	3041743	MX	3043399
AW	3042668	DH	3043213	LA	3051137	MY	3043406
AX	3043070	DJ	3043214	LB	3051137	MZ	3043390
AY	3042661	DK	3043201	LC	3049173	ND	3042650
AZ	3042675	DL	3043201	LD	3043877	NF	3042920
BA	3042930	DM	3043211	LF	3043877	NH	3042920
BB	3042930	DN	3043211	LH	3049173	NJ	3042650
BC	3043350	DO	3043801	LJ	3051136	NK	3042650
BD	3042931	DP	3042935	LK	3051136	NL	3042650
BJ	3042930	DR	3043357	LL	3043877	NM	3042650
BK	3042934	DS	3043382	LM	3043880	NN	3042650
BL	3042934	DT	3043801	LN	3043869	NR	3042928
BM	3043351	DU	3043801	LO	3046776	NU	3042928
BN	3043353	DW	3043802	LR	3047101	NW	3042928
BO	3043354	DX	3043801	LS	3047101	NY	3043213
BP	3043212	DY	3043390	LT	3043866	NZ	3043214
BR	3042931	DZ	3043801	LU	3043870	OA	3043408
BS	3043212	EU	3042685	LW	3043870	OB	3043408
BT	3043358	EW	3042685	LX	3043870	OC	3043418
BX	3042934	EX	3042685	LY	3045973	OD	3043799
BY	3042934	EZ	3042926	LZ	3045974	OF	3043411
BZ	3042934	FA	3043076	MB	3043382	OH	3043408

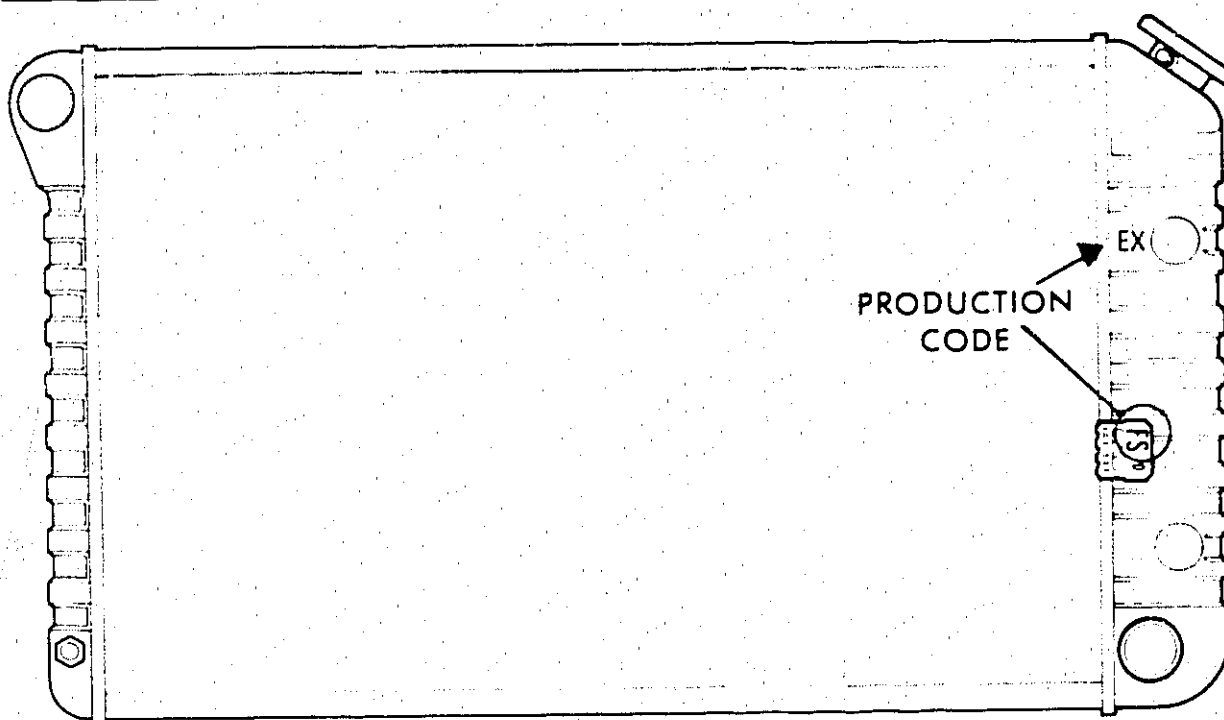
**GM REFERENCE
1980-81 RADIATOR CHART
(Continued)**

GM31

PRODUCTION RADIATOR CODE	SERVICE NUMBER	PRODUCTION RADIATOR CODE	SERVICE NUMBER	PRODUCTION RADIATOR CODE	SERVICE NUMBER	PRODUCTION RADIATOR CODE	SERVICE NUMBER
OJ	3043416	WL	3047103				
OL	3043414	WM ^②	3039665				
OM	3043415	WN ^②	3039665				
ON	3043416	WO ^②	3039665				
OP	3043418	WP ^②	3039665				
OR	3043418	WR	3043865				
OS	3043419	WS	3043872				
OT	3043419	WT	3043874				
OU	3043799	WU	3039704				
PA	3042658	WW	3046773				
PB	3042658	WX ^③	3039731				
PC	3042658	WY ^④	3039704				
PD	3042658	WZ ^⑤	3039665				
PF	3042658	XB	3043406				
PH	3042658	XC	3043391				
PJ	3042658	XJ	3046773				
PK	3042658	XL	3043870				
PL	3042659	XM	3049171				
PM	3042658	XN	3049173				
PS	3042926	XO	3049173				
PW	3042926	XP	3045972				
PX	3042926	XR	3045972				
PY	3042926	XV	3027207				
PZ	3042926	XW	3027208				
RM	3043402	XY	3028734				
PN	3043403	YA	3043206				
RO	3043402	YB	3043206				
RP	3043403	YC	3043206				
RT	3043404	YD	3043206				
RU	3043405	YF	3043206				
SF	3041727	YH	3046783				
SH	3047192	YJ	3046783				
SW	3047192	YK ^⑥	3046783				
TA	3048521	YL	3046783				
TB ^⑦	3040829	YM	3046784				
TC	3040829	YO	3048393				
TK	3036581	ZA	3043089				
TL	3040829	ZB	3043089				
TU	3040829	ZC	3043362				
TW	3040833	ZD	3048053				
TX	3040833						
TY	3040833						
TZ	3040833						
UG	3039525						
US	3041743						
UU	3039932						
UY	3039525						
UZ	3039525						
WA	3045972						
WB	3045972						
WC ^⑧	3039704						
WD ^⑨	3039704						
WF ^⑩	3039704						
WH	3043865						
WJ	3047103						
WK	3047103						

- ① TRUCK USE 3047103
- ② FOR 1981 USE 3042931
- ③ FOR 1981 USE 3046770
- ④ FOR 1981 USE 3046771
- ⑤ FOR 1981 USE 3043865
- ⑥ FOR 1981 USE 3046774
- ⑦ FOR 1981 USE 3047932
- ⑧ FOR 1981 USE 3046775
- ⑨ FOR 1981 USE 3043874
- ⑩ FOR 1981 USE 3043872
- ⑪ FOR 1981 DIESEL ENGINES USE 3048521

COOLANT - GRILLE - OIL SYSTEM



GM REFERENCE
1982 RADIATOR CHART

PRODUCTION RADIATOR CODE	SERVICE NUMBER	PRODUCTION RADIATOR CODE	SERVICE NUMBER	PRODUCTION RADIATOR CODE	SERVICE NUMBER	PRODUCTION RADIATOR CODE	SERVICE NUMBER
AA	03042661	DJ	03043214	LB	03051137	SJ	03048159
AB	03042661	DK	03043201	LD	03043877	SM	03049123
AC	03042661	DM	03043211	LJ	03051136	SP	03050252
AF	03042661	DP	03042935	LK	03051136	SR	03050252
AH	03042661	DR	03043357	LN	03043869	SS	03050253
AK	03042661	FA	03043076	LO	03046776	SU	03052034
AY	03042661	FB	03043076	LS	03047101	SW	03052752
BA	03042930	FC	03043076	LT	03043866	SX	03052752
BB	03042930	FD	03043079	LU	03043870	SY	03052753
BD	03042931	FE	03043083	LX	03043870	SZ	03053192
BF	03052773	FJ	03043077	LY	03045973	TA	03048521
BH	03052773	FK	03053440	LZ	03045974	TB	03048521
BJ	03042930	FL	03043076	NA	03042650	TL	03040829
BK	03042934	FM	03043077	NB	03053138	TU	03040829
BM	03043351	FN	03051048	ND	03042650	TW	03040833
BN	03043353	FO	03051049	NK	03042650	TX	03040833
BC	03043354	FR	03043083	NL	03042650	TY	03040833
BP	03043212	FS	03043084	NM	03042650	TZ	03040833
BR	03042931	FU	03043086	NN	03042650	UA	03048772
BS	03043212	HA	03049205	NR	03042928	UB	03048772
BT	03042931	HB	03048734	NU	03042928	UC	03048774
BY	03042934	HC	03049205	NW	03042928	UD	03050260
CF	03043525	HD	03049205	PL	03042659	UF	03048776
CH	03043530	HF	03049205	PS	03042926	JH	03048776
CJ	03047999	HH	03049205	PW	03042926	UJ	03048778
CK	03043530	HK	03049205	PX	03042926	UK	03048778
CL	03043525	HL	03047198	PY	03042926	UL	03050260
CM	03048000	HM	03049266	PZ	03042926	WA	03045972
CN	03048001	HN	03049266	RB	03051136	WB	03045972
CO	03048001	HO	03049266	RB	03051136	WC	03046770
CP	03043525	HP	03049266	RC	03051137	WD	03046771
CR	03048003	HR	03049231	RC	03051137	WF	03043865
CS	03043527	HS	03049231	RM	03043402	WH	03043865
CT	03048003	HT	03049231	RO	03043402	WK	03047103
CU	03043527	HU	03049231	SA	03048155	WL	03047103
DA	03042776	HY	03049266	SB	03048155	WM	03043872
DC	03043361	JX	03050860	SC	03048155	WN	03043872
DD	03043360	JZ	03052288	SF	03053192	WO	03043874
DH	03043213	LA	03051137	SH	03053192	WP	03043874

COOLANT - GRILLE - OIL SYSTEM

GM REFERENCE
1982 RADIATOR CHART
(CONTINUED)

PRODUCTION RADIATOR CODE	SERVICE NUMBER	PRODUCTION RADIATOR CODE	SERVICE NUMBER	PRODUCTION RADIATOR CODE	SERVICE NUMBER	PRODUCTION RADIATOR CODE	SERVICE NUMBER
WR	03043865						
WS	03043872						
WT	03043874						
WW	03046773						
WX	03046774						
WA	03046775						
XB	03050783						
XC	03050783						
XD	03050785						
XF	03050783						
XH	03050471						
XL	03043870						
XM	03049171						
XN	03049173						
XO	03049173						
XP	03045972						
XR	03045972						
XS	03050471						
XU	03050473						
XV	03027207						
XW	03027208						
XX	03050753						
XY	03028734						
YA	03050108						
YC	03049205						
YD	03049205						
YF	03049205						
YH	03049205						
YK	03047103						
YL	03049205						
YR	03050265						
YS	03050265						
YW	03047803						
ZA	03043089						
ZB	03043089						
ZF	03050452						
ZH	03050453						
ZM	03053231						
ZN	03053537						
ZO	03049621						
ZP	03050421						
ZR	03049480						
ZS	03049482						
ZT	03049482						
ZU	03049483						
ZW	03049617						
ZX	03049617						
ZY	03049621						
ZZ	03049622						

**1976 — RADIATORS (1.219)
CORVETTE**

VIN ENGINE CODE		L	X
ENGINE SIZE		350	350
ENGINE OPTION		1-L48	1-L82
SERIES	USAGE		
Y	(CODE MC, MD, ME, MG)	3030199	3030199
Y	(CODE MH, MI, MJ, MK, ML)	3035558	
Y	(EXC. A.C.) (CODE MH, MI, MJ, MK, ML)		3035558
Y	w/A.C. (CODE MH, MI, MJ, MK, ML)		3035556

**1977 — RADIATORS (1.219)
CORVETTE**

VIN ENGINE CODE		L	X
ENGINE SIZE		350	350
ENGINE OPTION		1-L48	1-L82
SERIES	USAGE		
Y	(EXC. V01)	3035558	
Y	w/V01	3035856	
Y	(EXC. A.C./V01)		3035558
Y	w/A.C./V01		3035556

**1978 — RADIATORS (1.219)
CORVETTE**

VIN ENGINE CODE		L	X
ENGINE SIZE		350	350
ENGINE OPTION		1-L48	1-L82
SERIES	USAGE		
Y	(EXC. V01)	3035558	
Y	w/V01	3035856	
Y	(EXC. A.C./V01)		3035558
Y	w/A.C.		3035856

**1979 — RADIATORS (1.219)
CORVETTE**

VIN ENGINE CODE		L	X
ENGINE SIZE		350	350
ENGINE OPTION		1-L48	1-L82
SERIES	USAGE		
Y	(EXC. V01)	3053440	
Y	w/V01	3038087	
Y			3038087

**1980 — RADIATORS (1.219)
CORVETTE**

VIN ENGINE CODE		H	L	X
ENGINE SIZE		305	350	350
ENGINE OPTION		LG4	L48	L82
SERIES	USAGE			
Y	(EXC. V08)	3053440	3053440	
Y				3043087
Y	w/V08	3043087	3043087	

**1981 — RADIATORS (1.219)
CORVETTE**

VIN ENGINE CODE		B
ENGINE SIZE		350-6
ENGINE OPTION		L81
SERIES	USAGE	
Y	(EXC. V08)	3053440
Y	w/V08	3048087

1982 — RADIATORS (1.219)
CORVETTE

VIN ENGINE CODE		8
ENGINE SIZE		5.7
ENGINE OPTION		LB3
SERIES	USAGE	
Y	w/ H.O.C. (V08)	3053440
Y	(EXC. H.O.C. V08)	3053119

1953-1966 FAN BELT CHART

CORVETTE

Belt No.	Length	Belt No.	Length	Belt No.	Length
1/8" WIDE		9433734	41	3952336	31 1/2
9433714	30 1/2	3953778	43 1/2	9433738	43 1/2
9433716	30 1/2	9433741	44 1/2	3999272	45 1/2
9433717	32 1/2	9433748	47 1/2	9433751	49 1/2
		3932330	52 1/2	9433752	50
9433720	33 1/2	9433759	53	9433757	52 1/2
		9433761	54	3845654	53 1/2
9433723	35 1/2	9433762	55	9433766	57
9433725	36 1/2	3917208	56	9433769	58
9433728	37 1/2	9433766	57	9433743	45 1/2
3915962	38	9433722	34 1/2		
9433764	55 1/2				

1967 FAN BELT CHART

NOTE See charts at beginning of group for belt dimensions and prices

CORVETTE

Generator	Water Pump	Power Steering Pump	Air Conditioning Compressor	Air Injection Reactor Pump
327 9433759		9433725	9433722	(exc. C.A.C.) 9433748 (w/C.A.C.)
327 Sp. H/Per (exc. C.A.C., P/S) 9433722		(exc. C.A.C.) 9433632		(w/C.A.C.) (exc. P/S) 9433716
P/S 9433761 C.A.C. (exc. P/S) 3932330 427 H/Per.	9433722	(w/C.A.C.) 9433725	9433757	(exc. C.A.C.) 9433720 (C.A.C. w/P/S)
(exc. P/S, C.A.C.) 3917208 C.A.C. (exc. P/S) 9433761	(exc. C.A.C.) 9433722	(exc. C.A.C.) 9433716 (Gen. to Pump)		(exc. C.A.C.) 9433720
P/S (exc. C.A.C.) 9433716 P/S w/C.A.C. 9433716	(w/C.A.C.) 9433717	(w/C.A.C.) 9433716 (Gen. to Pump) (w/C.A.C.) 3953778	9433743	(w/C.A.C.) 9433716
427 Sp. H/Per. (exc. P/S) 3917208 9433716	P/S 9433722	9433716 (Gen. to Pump) 9433632	9433735	9433720

1968 FAN BELT CHART

V28

CORVETTE

Generator	Water Pump	Power Steering Pump	Air Conditioning Compressor	Air Injection Reactor Pump
327 9433759	9433723	9433725		(exc. C.A.C.) 9433720
327 Sp. H/Per. C.A.C. (exc. P/S) 3932330 (C.A.C. w/P/S) 9433761 (exc. C.A.C., P/S) 9433759 427 H/Per. (exc. C.A.C., P/S) 9433762 C.A.C. (exc. P/S) 9433761	9433722	(w/C.A.C.) 9433725 (exc. C.A.C.) 9433743		(exc. C.A.C.) 9433720 (w/C.A.C.) 9433720
P/S (exc. C.A.C.) 9433716 (P/S w/C.A.C.) 9433716 427 Sp. H/Per. w/P/S 9433716 (exc. P/S) 9433762	(w/C.A.C.) 9433720 (exc. C.A.C.) (T.H.) 9433717	(w/C.A.C.) 9433738 (exc. C.A.C.) 9433741	9433751	(w/C.A.C.) 9433751 (exc. C.A.C.) 9433716
		9433741		9433716

(¹) 1st design.
(²) 2nd design.

1969 FAN BELT CHART

CORVETTE

Generator	Water Pump	Power Steering Pump	Air Conditioning Compressor	Air Injection Reactor Pump
350 (exc. H/Per., Sp. H/Per.) (exc. C.A.C.) 9433761 (w/C.A.C.) 9433759 350 H/Per. 9433759(¹)	(exc. C.A.C.) 9433723 (exc. C.A.C.) (P/S)	9433725 (w/C.A.C.) 9433725 (exc. C.A.C.) 9433738	943376 9433769	9433720 9433720

(¹) Also used on Sp. H/Per.

427 H/Per. (exc. C.A.C., P/S) 9433762 w/P/S (exc. C.A.C. 9433716 (C.A.C. w/P/S) 9433716 427 Sp. H/Per. (exc. P/S) 9433762 (w/P/S) 9433716	3952336 (w/C.A.C.) 9433720 3952336	9433738 9433738	9433752	(exc. C.A.C.) 9433716 9433716 3952336(¹)
--	--	------------------------	---------	---

(¹) H.D. Operation.

1970 FAN BELT CHART

V29

CORVETTE

FAN AND GENERATOR

Usage	Part Number	Width—Length
350 (exc. H/Per., Sp. H/Per., C.A.C.) (C.A.C. w/H/Per.) (350)	9433761	1/16" - 54 1/2"
w/H/Per. (350) (exc. C.A.C.)	3932330	1/8" - 52 1/4"
w/Sp. H/Per. (350)	3932330	1/8" - 52 1/4"
(454) (exc. P/S)	3845654	11/32" - 53 1/2"
w/P/S (454)	9433714	1/16" - 30 1/2"

POWER STEERING PUMP

(350) (exc. H/Per., Sp. H/Per.), (C.A.C. w/H/Per.) (350)	9433725	1/16" - 36"
w/H/Per. (350) (exc. C.A.C.), w/Sp. H/Per. (350), (454)	9433738	1/16" - 43 1/4"

AIR COND. COMPRESSOR

(350)	9433769	1/16" - 58"
(454)	3999272	11/32" - 46 1/4"

WATER PUMP AND FAN

(350) (exc. H/Per., Sp. H/Per.) (454)	9433723 3952336	1/16" - 35 1/2" 11/32" - 31 1/4"
--	--------------------	-------------------------------------

1971-72 FAN BELT CHART

FAN AND GENERATOR

Usage	Part Number	Width—Length
350, 454 w/C.A.C.	9433761	1/16" - 54 1/2"
350 (exc. C.A.C.)	3932330	1/8" - 52 1/4"
454 w/H/Per. (exc. C.A.C.)	3845654	11/32" - 53 1/2"
454 w/P/S	9433714	1/16" - 30 1/2"
454 w/Sp. H/Per. (exc. P/S)	9433762	1/16" - 55"

POWER STEERING PUMP

350, 454 w/C.A.C.	9433725	1/16" - 36"
350, 454 (exc. C.A.C.)	9433738	1/16" - 43 1/4"

AIR COND. COMPRESSOR

350	9433769	1/16" - 58"
454	3999272	11/32" - 45 1/4"

WATER PUMP AND FAN

454	3952336	11/32" - 31 1/4"
-----	---------	------------------

A.I.R. PUMP

454	9433716	7/16" — 30 3/4"
-----	---------	-----------------

1973 FAN BELT CHART

FAN AND GENERATOR

Usage	Part Number	Width—Length
*350 (exc. C.A.C.)	326088	7/8" — 52 3/4"
*350 w/C.A.C.	326089	7/8" — 54 1/4"
454 (exc. P/S)	9433761	7/16" — 54 1/2"
*454 w/P/S	326092	7/8" — 30 11/32"

POWER STEERING PUMP

*350 w/C.A.C.	326083	7/8" — 36 1/4"
*350 (exc. C.A.C.), *454	9433741	11/32" — 44"

AIR COND. COMPRESSOR

350 *454	9433769 326094	7/16" — 58" 11/32" — 49 1/4"
-------------	-------------------	---------------------------------

WATER PUMP AND FAN

454	3952336	11/32" — 31 1/4"
-----	---------	------------------

A.I.R. PUMP

*454 (exc. C.A.C.) *350	9433714 9433718	7/16" — 31" 7/16" — 33"
----------------------------	--------------------	----------------------------

1974 FAN BELT CHART

V31

FAN AND GENERATOR

Usage	Part Number	Width—Length
454 (exc. C.A.C. P/S)	9433761	1/16" - 54 1/2"
350 (exc. C.A.C.)	326088	3/8" - 52 1/2"
350 w/C.A.C.	326089	3/8" - 54 1/2"
w/C.A.C. (454) (exc. P/S)	9433760	1/16" - 54"
454 w/P/S	326092	3/8" - 30 1/2"

POWER STEERING PUMP

350 w/C.A.C.	326083	1/16" - 36 1/2"
350, 454 (exc. C.A.C.)	9433741	19/32" - 44"
454 w/C.A.C.	9433739	1/16" - 43 1/2"

AIR COND. COMPRESSOR

454	9433751	1/16" - 49 1/2"
350	9433770	7/16" - 59"

WATER PUMP AND FAN

350 (exc. C.A.C., P/S)	9433718	1/16" - 33"
454 (P)	3952336	19/32" - 31 1/4"

A.I.R. PUMP

350 w/C.A.C.	9433719	1/16" - 33 1/2"
350 (exc. C.A.C.)	9433718	1/16" - 33"
454	9433714	1/16" - 31"

NOTE 1: Crankshaft pulley must be pulled to install belt.

1975 FAN BELT CHART

FAN AND GENERATOR

Usage	Part Number	Width—Length
350 (exc. C.A.C.)	9433758	1/16" - 53"
350 w/C.A.C.	9433760	1/16" - 54"
350 (exc. C.A.C.)	9433757	1/16" - 52 1/2"
350 w/C.A.C.	9433759	1/16" - 53 1/2"
350 w/A.C.	5433657	3/8" - 53 1/2"

POWER STEERING PUMP

350	9433725	1/16" - 36"
-----	---------	-------------

AIR COND. COMPRESSOR

350	() 9433770	1/16" - 59"
350	9433725	1/16" - 36 1/2"

WATER PUMP AND FAN

350 (exc. C.A.C.)	9433718	1/16" - 33"
-------------------	---------	-------------

1.066 BELT, Fan, Gen. and Accessory Drive (Con't)

V32

A.i.R. PUMP

350 (exc C.A.C.) 350 w/C.A.C.	9433718 9433719	1/2"-33" 1/2"-33 1/2"
----------------------------------	--------------------	--------------------------

NOTE See V-belt chart for 1976-1980 part numbers at end of Group 1
NOTE 2: Used for 1975 only.

Instructions:

I. Standard Belt Size Chart

- A. Can be used if the size and/or belt code is known, i.e.,

<u>Belt Length</u>	<u>Code</u>	<u>3/8" — .380</u>
32.50	AR	9433718

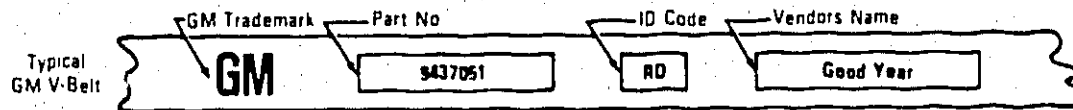
II. Standard V-Belt Codes and Numbers

- A. Alpha-numeric order
B. Can be used if 2 letter code is known, i.e.,
EG 9433702

III. Model Usage Chart

- A. This chart can be used by determining the belt required, i.e. Power Strg., Fan & Gen., etc. After getting to correct belt section, then locate model application, following across the page to the correct Engine VIN code, C.I.D. and/or Engine Option number. This now will give the 2 letter code for Standard Belts, refer back to the correct alpha numeric code chart and locate the service number of the belt needed.

1.066 — GENERAL MOTORS STANDARD V-BELTS



Instructions: Step 1: Find required belt length listed in the left column or ID code from belt or usage listing.

$\frac{3}{16}$ " — .315					
Nominal Belt Length	Part Ident Code	Prod or Service Number	Nominal Belt Length	Part Ident Code	Prod or Service Number
25.00	JN	9433804	39.00	KS	9433837
32.00	KC	9433818	39.50	KT	9433833
32.50	KD	9433819	40.50	KV	9433835
33.00	KE	9433820	41.50	KX	9433837
33.50	KF	9433821	42.00	KY	9433838
34.00	KG	9433822	44.50	LD	9433843
35.50	KK	9433825	45.00	LE	9433844
37.00	KN	9433828	46.00	LG	9433846
37.50	KP	9433829	46.50	LH	9433847
38.00	AQ	9433830	23.50	RN	9433832
38.50	KR	9433831	23.00	RP	9433856

$\frac{3}{16}$ " — .360											
Nominal Belt Length	Belt Ident Code	Prod or Service Number	Use Service Number	Nominal Belt Length	Belt Ident Code	Prod or Service Number	Use Service Number	Nominal Belt Length	Belt Ident Code	Prod or Service Number	Use Service Number
24.50	RD	9437051	9433702	41.00	BJ	9433632	9433735	54.50	CM	9433659	9433762
25.50	AB	9433601	9433601	41.50	BK	9433633	9433736	55.00	CN	9433660	9433760
27.00	AE	9433604	9433604	42.00	BL	9433634	9433737	55.50	CP	9433661	9433764
27.50	AF	9433605	9433708	42.50	BM	9433635	9433738	56.00	CQ	9433662	9433662
28.00	AG	9433606	9433709	43.00	RN	9433636	9433739	56.50	CR	9433663	9433766
29.00	AJ	9433608	9433711	43.50	BP	9433637	9433740	57.00	CS	9433664	9433767
30.50	AM	9433611	9433714	44.00	BQ	9433638	9433741	57.50	CT	9433665	9433768
31.00	AN	9433612	9433715	44.50	BR	9433639	9433742	58.00	CU	9433666	9433769
31.50	AP	9433613	9433716	45.00	BS	9433640	9433743	58.50	CV	9433667	9433770
32.00	AQ	9433614	9433717	45.50	BT	9433641	9433744	59.00	CW	9433668	9433771
32.50	AR	9433615	9433718	46.00	BU	9433642	9433745	59.50	CX	9433669	9433772
33.00	AS	9433616	9433719	46.50	BV	9433643	9433746	60.00	CY	9433670	9433773
33.50	AT	9433617	9433720	47.00	BW	9433644	9433747	60.50	CZ	9433671	9433774
34.00	AU	9433618	9433721	47.50	BX	9433645	9433748	61.00	DA	9433672	9433775
34.50	AV	9433619	9433722	48.00	BY	9433646	9433749	61.50	DB	9433673	9433776
35.00	AW	9433620	9433723	48.50	BZ	9433647	9433750	62.00	DC	9433674	9433777
35.50	AX	9433621	9433724	49.00	CA	9433648	9433751	62.50	DD	9433675	9433778
36.00	AY	9433622	9433725	49.50	CB	9433649	9433752	63.00	DE	9433676	9433779
36.50	AZ	9433623	9433726	50.00	CC	9433650	9433753	63.50	DF	9433677	9433780
37.00	BA	9433624	9433727	50.50	CD	9433651	9433754	64.00	DG	9433678	9433781
37.50	BB	9433625	9433728	51.00	CE	9433652	9433755	64.50	DH	9433679	9433782
38.00	BC	9433626	9433729	51.50	CF	9433653	9433756	65.00	DJ	9433680	9433783
38.50	BD	9433627	9433730	52.00	CG	9433654	9433757	65.50	DN	9433684	9433787
39.00	BE	9433628	9433731	52.50	CH	9433655	9433758				
39.50	BF	9433629	9433732	53.00	CJ	9433656	9433759				
40.00	BG	9433630	9433733	53.50	CK	9433657	9433657				
40.50	BH	9433631	9433734	54.00	CL	9433658	9433761				

NOTE: This chart does not include special notched belts required with some installations. See Special V-Belt Chart.

NOTE: Belt Lengths and Belt Ident Codes on this chart identify Production Numbers (Service Numbers are 1/16 wider and 1/2 inch longer than Production Numbers).

Ⓢ For 1980 and after use Production Number for Service.

7/16" — .440								
Nominal Belt Length	Part Ident Code	Prod & Service Number	Nominal Belt Length	Part Ident Code	Prod & Service Number	Nominal Belt Length	Part Ident Code	Prod & Service Number
25.00	EG	9433702	41.50	FR	9433735	54.50	GT	9433761
26.00	EJ	9433704	42.00	FS	9433736	55.00	GU	9433762
28.00	EN	9433708	42.50	FT	9433737	55.50	GV	9433763
28.50	EP	9433709	43.00	FU	9433738	56.00	GW	9433764
29.50	ER	9433711	43.50	FV	9433739	56.50	GX	9433765
31.00	EU	9433714	44.00	FW	9433740	57.00	GY	9433766
31.50	EV	9433715	44.50	FX	9433741	57.50	GZ	9433767
32.00	EW	9433716	45.00	FY	9433742	58.00	HA	9433768
32.50	EX	9433717	45.50	FZ	9433743	58.50	HB	9433769
33.00	EY	9433718	46.00	GA	9433744	59.00	HC	9433770
33.50	FZ	9433719	46.50	GB	9433745	59.50	HD	9433771
34.00		9433720	47.00	GC	9433746	60.00	HE	9433772
34.50	Fi	9433721	47.50	GD	9433747	60.50	HF	9433773
35.00	FC	9433722	48.00	GE	9433748	61.00	HG	9433774
35.50	FD	9433723	48.50	GF	9433749	61.50	HH	9433775
36.00	FE	9433724	49.00	GG	9433750	62.00	HJ	9433776
36.50	FF	9433725	49.50	GH	9433751	62.50	HK	9433777
37.00	FG	9433726	50.00	GJ	9433752	63.00	HL	9433778
37.50	FH	9433727	50.50	GK	9433753	63.50	HM	9433779
38.00	FJ	9433728	51.00	GL	9433754	64.00	HN	9433780
38.50	FK	9433729	51.50	GM	9433755	64.50	HP	9433781
39.00	FL	9433730	52.00	GN	9433756	65.00	HQ	9433782
39.50	FM	9433731	52.50	GP	9433757	66.00	HR	9433783
40.00	FN	9433732	53.00	GQ	9433758	70.00	HV	9433787
40.50	FP	9433733	53.50	GR	9433759			
41.00	FO	9433734	54.00	GS	9433760			

Note: Belt Lengths and Part Ident Codes on this chart identify Service Numbers.

1/2" — .500								
Nominal Belt Length	Part Ident Code	Prod & Service Number	Nominal Belt Length	Part Ident Code	Prod & Service Number	Nominal Belt Length	Part Ident Code	Prod & Service Number
29.00	LZ	9433863	46.50	NL	9433898	59.00	PM	9433923
36.00	MP	9433877	48.50	NQ	9433902	60.00	PP	9433925
36.00	MT	9433881	49.50	NS	9433904	60.50	PQ	9433926
38.50	MU	9433882	51.00	NV	9433907	62.00	PT	9433929
39.00	MV	9433883	52.00	NX	9433909	63.50	PW	9433932
39.50		9433884	53.00	NZ	9433911	64.50	PY	9433934
40.00		9433885	54.00	PB	9433913	65.00	PZ	9433935
40.50		9433886	55.00	PD	9433915	66.00	QA	9433936
41.50		9433888	55.50	PE	9433916	67.00	QB	9433937
42.50	NC	9433890	56.00	PF	9433917	68.00	QC	9433938
43.50	NE	9433892	56.50	PJ	9433918	72.00	QG	9433942
44.00	NF	9433893	57.50	PJ	9433920	77.00	QM	9433947
45.00	NH	9433895	58.00	PK	9433921			
45.50	NJ	9433896	58.50	PL	9433922			

NOTE: This chart does not include special notched belts required with some installations. See Special V-Belt Chart.

1.066 — GENERAL MOTORS STANDARD METRIC V-BELTS

8.5 mm			
Nominal Belt Length	Belt Ident. Code	Prod or Service Number	Use Service Number
770.0 mm	AAQ	11501994	11501994
780.0 mm	AAR	11501995	11501995
800.0 mm	AAT	11501997	11501997

13.7 mm			
Nominal Belt Length	Belt Ident. Code	Prod or Service Number	Use Service Number
1430.0 mm	ASX	11502385	9433918
1520.0 mm	ATG	11502394	9433925
1530.0 mm	ATH	11502395	9433925
1550.0 mm	ATK	11502397	9433926

GM STANDARD V-BELT CODES AND NUMBERS

ALPHA NUMERIC ORDER

PRODUCTION	FOR SERVICE USE	PRODUCTION	FOR SERVICE USE	PRODUCTION & SERVICE	PRODUCTION & SERVICE
AB- *9433601	AB- 9433601	CA- 9433648	GH- *9433751	EG- 9433702	GA- 9433744
AE- *9433604	AE- *9433604	CB- 9433649	GJ- 9433752	EJ- 9433704	GB- 9433745
AF- 9433605	EN- 9433708	CC- 9433650	GK- 9433753	EN- 9433703	GC- 9433746
AG- 9433606	EP- 9433709	CD- ①9433651	GL- 9433754	EP- 9433709	GD- 9433747
AJ- 9433608	ER- 9433711	CE- *9433652	GM- 9433755	ER- 9433711	GE- 9433748
AM- 9433611	EU- 9433714	CF- ①9433653	GN- 9433756	EU- 9433714	GF- 9433749
AN- 9433612	EV- 9433715	CG- *9433654	GP- 9433757	EV- 9433715	GG- 9433750
AP- 9433613	EW- 9433716	CH- 9433655	GO- 9433758	EW- 9433716	GH- 9433751
AQ- 9433614	EX- 9433717	CJ- 9433656	GR- 9433759	EX- 9433717	GJ- 9433752
AH- 9433615	EY- 9433718	CK- *9433657	CK- 9433657	EY- 9433718	GK- 9433753
AS- 9433616	EZ- 9433719	CL- 9433658	GT- 9433761	EZ- 9433719	GL- 9433754
AT- 9433617	FA- 9433720	CM- ①9433659	GU- 9433762		GM- 9433755
AU- 9433618	FB- 9433721	CN- *9433660	CN- 9433660		GN- 9433756
AV- 9433619	FC- 9433722	CP- 9433661	GW- 9433764		GP- 9433757
AW- 9433620	FD- 9433723	CQ- *9433662	CQ- 9433662		GQ- 9433758
AX- 9433621	FE- 9433724	CR- 9433663	GY- 9433766		GR- 9433759
AY- 9433622	FF- 9433725	CS- *9433664	GZ- 9433767		GS- 9433760
AZ- 9433623	FG- 9433726	CT- ①9433665	HA- 9433768		GT- 9433761
		CU- 9433666	HB- 9433769		GU- 9433762
		CV- 9433667	HC- 9433770		GV- 9433763
		CW- 9433668	HD- 9433771		GW- 9433764
		CX- 9433669	HE- 9433772		GX- 9433765
		CY- 9433670	HF- 9433773		GY- 9433766
		CZ- 9433671	HG- 9433774		GZ- 9433767
BA- 9433624	FH- 9433727	DA- 9433672	HH- 9433775	FA- 9433720	HA- 9433768
BB- *9433625	BB- 9433625	DB- 9433673	HJ- 9433776	FB- 9433721	HB- 9433769
BC- 9433626	FK- 9433729	DC- 9433674	HK- 9433777	FC- 9433722	HC- 9433770
BD- 9433627	FL- 9433730	DD- 9433675	HL- 9433778	FD- 9433723	HD- 9433771
BE- 9433628	FM- 9433731	DE- 9433676	HM- 9433779	FE- 9433724	HE- 9433772
BF- 9433629	FN- 9433732	DF- 9433677	HN- 9433780	FF- 9433725	HF- 9433773
BG- 9433630	FP- 9433733	DG- 9433678	HP- 9433781	FG- 9433726	HG- 9433774
BH- 9433631	FQ- 9433734	DH- 9433679	HQ- 9433782	FH- 9433727	HH- 9433775
BJ- *9433632	BJ- 9433632	DJ- 9433680	HR- 9433783	FJ- 9433728	HJ- 9433776
BK- 9433633	FS- 9433736	DN- 9433684	HV- 9433787	FK- 9433729	HK- 9433777
BL- 9433634	FT- 9433737			FL- 9433730	HL- 9433778
BM- ①9433635	FU- 9433738			FM- 9433731	HM- 9433779
BN- 9433636	FV- 9433739			FN- 9433732	HN- 9433780
BP- 9433637	FW- 9433740			FP- 9433733	HP- 9433781
BQ- 9433638	FX- 9433741			FQ- 9433734	HQ- 9433782
BR- ①9433639	FY- 9433742			FR- 9433735	HR- 9433783
BS- ①9433640	FZ- 9433743			FS- 9433736	HV- 9433787
BT- 9433641	GA- 9433744			FT- 9433737	
BU- 9433642	GB- 9433745			FU- 9433738	
BV- 9433643	GC- 9433746			FV- 9433739	
BW- 9433644	GD- 9433747			FW- 9433740	
BX- ①9433645	GE- 9433748			FX- 9433741	
BY- ①9433646	GF- 9433749			FY- 9433742	
BZ- ①9433647	GG- 9433750			FZ- 9433743	

*Production number also serviced

①For 1980 and after use Production Number for service

GM STANDARD V-BELT CODES AND NUMBERS

ALPHA NUMERIC ORDER

PRODUCTION & SERVICE	PRODUCTION & SERVICE	PRODUCTION & SERVICE	PRODUCTION & SERVICE
KC- 9433818	PB- 9433913		
KD- 9433819	PD- 9433915		
KE- 9433820	PE- 9433916		
KF- 9433821	PF- 9433917		
KG- 9433822	PG- 9433918		
KK- 9433825	PJ- 9433920		
KN- 9433828	PK- 9433921		
KP- 9433829	PL- 9433922		
KQ- 9433830	PM- 9433923		
KR- 9433831	PP- 9433925		
KS- 9433832	PQ- 9433926		
KT- 9433833	PT- 9433929		
KV- 9433835	PW- 9433932		
KX- 9433837	PY- 9433934		
KY- 9433838	PZ- 9433935		
LD- 9433843	QA- 9433936		
LE- 9433844	QB- 9433937		
LG- 9433846	QC- 9433938		
LH- 9433847	QG- 9433942		
LZ- 9433863	QM- 9433947		
MT- 9433881	RN- 9438532		
MU- 9433882	RP- 9439256		
MV- 9433883			
MW- 9433884			
MX- 9433885			
NA- 9433888			
NC- 9433890			
NE- 9433892			
NF- 9433893			
NH- 9433895			
NJ- 9433896			
NL- 9433898			
NO- 9433902			
NS- 9433904			
NV- 9433907			
NX- 9433909			
NZ- 9433911			

MICROFICHE INDEX
GROUPS 0.000 THRU 2.000 & 21.000
FICHE 1 OF 6

GROUP DESCRIPTION	STARTING GRID LOCATION	
	PARTS ILLUSTRATIONS	
- INTRODUCTION	A-6	J-2
- GENERAL INFORMATION	A-2	J-2
- ALPHABETICAL INDEX	C-11	N.A.
- INDEX FOR ADDITIONAL INFORMATION	A-5	N.A.
0.000 ENGINE - CLUTCH	D-12	J-6
1.000 COOLING - GRILLE - OIL SYSTEM	E-11	K-15
2.000 CHASSIS WIRING - LAMPS	G-13	L-7
21.000 ACCESSORY REFERENCE LIST	D-9	N.A.
- OUT OF FICHE CALLS	N.A.	N-2

G-1

SPECIAL V-BELTS

Nominal Belt Length	Part Ident. Code	Prod or Service Number	Use Service Number	Apx. Width	Description
31"	JA	3953733	3953733	3/8"	Notched
45 1/2"	SA	1232791	1232791	3/8"	Notched
41 1/2"	SB	1253629	1253629	3/8"	Notched
56"	SC	1254877	1254877	3/8"	Notched
44"	SD	1254814	1254814	3/8"	Notched
46"	SE	1255243	1255243	3/8"	Notched
45"	SP	1264036	1264036	3/8"	Notched
41"	SR	25501243	25501243	3/8"	Notched
48 1/2"	ST	1231018	1231018	3/8"	Notched
42"	SU	25502290	25502290	3/8"	Notched
51"	SY	25509425	25518654	3/8"	Notched
51"	S5	25518654	25518654	3/8"	Notched
34 1/2"	S9	25519607	25519607	3/8"	Notched
622.0mm	WA	10022530	10022530	14.24mm	Poly Rib-4 Pk
1016.0mm	WB	10022531	10022531	14.24mm	Poly Rib-4 Pk
1118.0mm	WC	10022532	10022532	14.24mm	Poly Rib-4 Pk
629.0mm	WD	10026653	10022530	14.24mm	Poly Rib-4 Pk
610.0mm	WN	10032192	10032192	14.24mm	Poly Rib-4 Pk
1270.0mm	WF	10027870	10027870	17.80mm	Poly Rib-5 Pk
2250.0mm	6 Pk 2250	14055157	14055157	21.36mm	Poly Rib-6 Pk
1942.0mm	6 Pk 1842	22514332	22514332	21.36mm	Poly Rib-6 Pk
2616.0mm	6 Pk 2626	22514333	22514333	21.36mm	Poly Rib-6 Pk
1523.0mm	6 Pk 2523	22514557	22514557	21.36mm	Poly Rib-6 Pk
1867.0mm	6 Pk 1867	22516490	22516490	21.36mm	Poly Rib-6 Pk
2595.0mm	6 Pk 2595	22518599	22518599	21.36mm	Poly Rib-6 Pk
2490.0mm	6 Pk 2490	22518600	22518600	21.36mm	Poly Rib-6 Pk
1785.0mm	6 Pk 1785	22518601	22518601	21.36mm	Poly Rib-6 Pk
1860.0mm	—	25519488	25519488	21.36mm	Poly Rib-6 Pk
2830.0mm	—	25519489	25519489	21.36mm	Poly Rib-6 Pk
40 1/4"	—	14057103	14057103	3/8"	3 Ply Lamin. Const.
22 3/4"	TC	1621307	1621307	3/8"	3 Ply Lamin. Const.
42 1/4"	TR	1610192	1610192	1/2"	3 Ply Lamin. Const.
46"	—	10009102	10009102	3/8"	3 Ply Lamin. Const.
935.0mm	WM	10029007	10029007	7.937mm	3 Ply Lamin. Const.
56 1/4"	UR	14072800	14072800	3/8"	3 Ply Lamin. Const.
41 3/4"	UF	14076310	14076310	1/8"	3 Ply Lamin. Const.
44 1/2"	BR	25512309	25512309	3/8"	4 Ply Lamin. Const.
43"	JH	22511772	22511772	3/8"	4 Ply Lamin. Const.
43 1/2"	JG	25511773	Ⓢ 22511773	3/8"	4 Ply Lamin. Const.
49"	JS	22514315	22514315	3/8"	4 Ply Lamin. Const.
50"	JT	22514316	22514316	3/8"	4 Ply Lamin. Const.
45 1/2"	JZ	22516006	22516006	3/8"	4 Ply Lamin. Const.
43 1/2"	KB	22517019	22517019	3/8"	4 Ply Lamin. Const.
56"	—	22514319	22514319	3/8"	4 Ply Lamin. Const.
56 1/2"	—	22514320	22514320	3/8"	4 Ply Lamin. Const.
57"	—	22514321	22514321	3/8"	4 Ply Lamin. Const.
44 1/2"	—	25512309	25512309	3/8"	4 Ply Lamin. Const.
55 1/2"	UH	14060636	14060636	1/2"	4 Ply Lamin. Const.

Ⓢ Exhaust stock of 2251173 on other than LF9 (350N-Diesel) engines. Use part 22517019 on Diesel application.

SPECIAL V-BELTS (Continued)

Nominal Belt Length	Part Ident. Code	Prod or Service Number	Use Service Number	Arx. Thickness	Description
45"	UF	14054477	14054477	3/8"	COG
52 1/2"	VR	14029058	14029058	3/8"	COG
53"	VS	14029059	14029059	3/8"	COG
48 1/2"	VT	14029060	14029060	3/8"	COG
49"	VU	14029061	14029061	3/8"	COG
54"	ZA	550187	550187	3/8"	COG
48 1/4"	ZB	405593	405593	3/8"	COG
56"	ZG	560875	560875	3/8"	COG
43"	ZN	22505379	22505379	3/8"	COG
43 1/2"	ZS	22507243	22507243	3/8"	COG
51 3/4"	—	406084	406084	3/8"	COG
34"	BD	14017896	14017896	1/16"	Lamin. COG
38 1/2"	BK	14025234	14025234	1/16"	Lamin. COG
40"	BN	14025275	14025275	1/16"	Lamin. COG
57"	TD	1621674	1621674	1/16"	Lamin. COG
1392mm	TH	1624011	1624011	12.7mm	Lamin. COG
38 1/4"	TK	1623056	1623056	1/16"	Lamin. COG
38"	UN	14025230	14025230	1/16"	Lamin. COG
40"	UY	14077233	14077233	1/16"	Lamin. COG
38"	US	14077230	14077230	1/16"	Lamin. COG
38 1/2"	UW	14077231	14077231	1/16"	Lamin. COG
39"	UX	14077232	14077232	1/16"	Lamin. COG
45"	UUD	14072731	14072731	3/8"	Lamin. COG
44 1/2"	UUF	14072732	14072732	3/8"	Lamin. COG
39"	VY	14025259	14025259	1/16"	Lamin. COG
1283 mm	WL	10029075	10029075	7.93 mm	Lamin. COG
58 1/4"	WN	10017208	10017208	1/16"	Lamin. COG
57 1/2"	WP	10017209	10017209	1/16"	Lamin. COG
56"	WR	10017221	10017221	1/16"	Lamin. COG
45 1/4"	WS	10019362	10019362	1/16"	Lamin. COG
47 1/2"	WT	10024881	10024881	1/16"	Lamin. COG
44 1/2"	WU	10024880	10024880	1/16"	Lamin. COG
25 1/2"	WJ	10003518	10003518	3/8"	3 Ply Lamin. Spun COG
28"	WK	10003519	10003519	3/8"	3 Ply Lamin. Spun COG
26"	WL	10013593	10013593	3/8"	3 Ply Lamin. Spun COG
50"	WM	10014015	10014015	1/2"	3 Ply Lamin. Spun COG
56 1/2"	ZL	22502393	22502393	3/8"	3 Ply Lamin. Spun COG
57"	ZM	22502394	22502394	3/8"	3 Ply Lamin. Spun COG
55 1/4"	VD	469595	469595	3/8"	Centered Cord Const.
46"	XB	14025593	14025593	3/8"	Centered Cord Const.
47"	XC	14025594	14025594	3/8"	Centered Cord Const.
48"	XD	14025595	14025595	3/8"	Centered Cord Const.
57 1/2"	XW	14042547	14042547	3/8"	Centered Cord Const.
55 1/2"	XS	14036027	14036027	3/8"	Centered Cord Const.
46"	UUC	14062238	9433745	3/8"	Special "V" COG
45"	3 BK	14064191	14064191	3/8"	Special "V" COG

SPECIAL V-BELTS (Continued)

Nominal Belt Length	Part Ident. Code	Prod or Service Number	Use Service Number	Apx. Width	Description
49"	JS	22514315	22514315	3/4"	Special "V" High Ride
50"	JT	22514316	22514316	3/4"	Special "V" High Ride
42 1/2"	KQ	22522281	22524186	3/4"	Special "V" High Ride
43"	KU	22524186	22524186	3/4"	Special "V" High Ride
44 1/2"	UL	14076346	14076346	3/4"	Special "V" High Ride
44 1/2"	UM	14079250	14079250	3/4"	Special "V" High Ride
45 1/2"	UN	14079251	14079251	3/4"	Special "V" High Ride
48 1/2"	US	14076347	14076347	3/4"	Special "V" High Ride
51 1/4"	UT	14076348	14076348	3/4"	Special "V" High Ride
39"	UZ	14076345	14076345	3/4"	Special "V" High Ride
48"	XA	14050499	14050499	3/4"	Special "V" High Ride
60"	XN	14033869	14033869	3/4"	Special "V" High Ride
45 1/2"	VZ	14050459	14050459	3/4"	Special "V" High Ride
	UUB	14062237	9433732	3/4"	Special "V" High Ride
47 1/2"	UUH	14077871	14077871	3/4"	Special "V" High Ride
49"	—	14071081	14071081	3/4"	Special "V" High Ride
49 1/2"	—	14071082	14071082	3/4"	Special "V" High Ride
56"	3 BK	14066274	14066274	3/4"	Special "V" High Ride

**1976 — V-BELTS (1.066)
CHEVROLET CORVETTE**

VIN ENGINE CODE		L	X
CUBIC INCH DISPLACEMENT		350	350
OPTION NUMBER		1-L48	1-L42
SERIES	USAGE		

FAN AND GENERATOR BELTS

Y	(EXC. A.C.)	GQ-9433758	GQ-9433758
Y	w/A.C.	CK-9433657	CK-9433657

WATER PUMP AND FAN BELTS

Y	(EXC. A.C.)	EY-9433718	EY-9433718
---	-------------	------------	------------

POWER STEERING BELTS

Y		FF-9433725	FF-9433725
---	--	------------	------------

AIR CONDITIONING COMPRESSOR BELTS

Y	w/6 CYL. ROTARY CMPR. 1ST DESIGN	GX-9433765	GX-9433765
Y	w/4 CYL. ROTARY CMPR. 2ND DESIGN	PG-9433918	PG-9433918

AIR INJECTION PUMP BELTS

Y	(EXC. A.C.)	EY-9433718	EY-9433718
Y	w/A.C.	EZ-9433719	EZ-9433719

**1977 — V-BELTS (1.066)
CHEVROLET CORVETTE**

VIN ENGINE CODE		L	X
CUBIC INCH DISPLACEMENT		350	350
OPTION NUMBER		L48	L42
SERIES	USAGE		

FAN AND GENERATOR BELTS

Y	(EXC A.C. HD RAD.)	GP-9433757	GP-9433757
Y	w/A.C. OR HD RAD.	GR-9433759	GR-9433759

WATER PUMP AND FAN BELTS

Y	(EXC A.C. HD RAD.)	EY-9433718	EY-9433718
---	--------------------	------------	------------

POWER STEERING BELTS

Y		FF-9433725	FF-9433725
---	--	------------	------------

AIR CONDITIONING COMPRESSOR BELTS

Y		PG-9433918	PG-9433918
---	--	------------	------------

AIR INJECTION PUMP BELTS

Y	(EXC A.C.)	EY-9433718	EY-9433718
Y	w/A.C.	EZ-9433719	EZ-9433719

**1978 — V-BELTS (1.066)
CHEVROLET CORVETTE**

VIN ENGINE CODE		L	X
LITER OR CUBIC INCH		350	350
OPTION NUMBERS		1-L48	1-L12
SERIES	USAGE		

FAN AND GENERATOR BELTS

Y	(EXC. A.C.)	GP-9433757	GP-9433757
Y	w/A.C. AT		GR-9433759
Y	w/A.C.	GR-9433759	
Y	w/M.T., A.C.		GM-9433756

WATER PUMP AND FAN BELTS

Y	(EXC. A.C.)	EY-9433718	EY-9433718
---	-------------	------------	------------

POWER STEERING BELTS

Y		FF-9433725	FF-9433725
---	--	------------	------------

AIR CONDITIONING COMPRESSOR BELTS

Y	w/A.T. (EXC. ALT., CALIF.)	PE-9433916	
Y	w/A.T., ALT., CALIF.	PG-9433918	
Y	w/M.T.	PG-9433918	
Y	w/M.T.		PE-9433916
Y	w/A.T.		PG-9433918

AIR INJECTION - (A.I.R.) PUMP BELTS

Y	w/ALT., CALIF. (EXC. A.C.)	EY-9433718	
Y	w/A.C., ALT., CALIF.	EZ-9433719	
Y	(EXC. A.C.)		EY-9433718
Y	w/M.T., A.C.		EY-9433718
Y	w/A.T., A.C.		EZ-9433719

NOTE: Refer to Standard Belt Chart for Sizes.

**1979 — V-BELTS (1.066)
CHEVROLET CORVETTE**

VIN ENGINE CODES		L	X
LITER OR CUBIC INCH		350	350
OPTION NUMBERS		1-L48	1-L82
SERIES	USAGE		

FAN AND GENERATOR BELTS

Y	(EXC A/C) (1ST DES FOR LBZ ONLY)	GP-9433757	GP-9433757 (3)
Y	w/A/C (1ST DES FOR L48 ONLY)	GR-9433759 (3)	GN-9433756
Y	w/70 AMP GEN (2ND DES)	GT-9433761 (4)	GO-943-756 (4)

POWER STEERING BELTS

Y		FF-9433725	FF-9433725
---	--	------------	------------

A/C CONDITIONING COMPRESSOR BELTS

Y	(2ND DES)	PF-9433917 (2)	PD-9433915 (2)
Y	(1ST DES)	PG-9433918 (1)	PE-9433916 (1)

AIR INJECTION PUMP BELTS

Y			EY-9433718
Y	w/ALT. CALIF (EXC A/C)	EY-9433718	
Y	w/A/C, ALT. CALIF	EZ-9433719	

WATER PUMP AND FAN BELTS

Y	(EXC A/C)	EY-9433718	EY-9433718
Y	w/A/C, MT.		GN-9433756

- (1) - 5.5 Diameter A/C Compressor Pulley - 1st Design
 (2) - 5.0 Diameter A/C Compressor Pulley - 2nd Design
 (3) - Used on Vehicle Without K73 - (70 Amp Gen) - 1st Design
 (4) - Used on Vehicle With K73 - (70 Amp Gen.) - 2nd Design

1980 — V-BELTS (1.066)
CHEVROLET CORVETTE

VIN ENGINE CODE	H	L	X
LITER OR CUBIC INCH	305H	350	350
OPTION NUMBERS	LG4	LG8	LG2
SERIES	USAGE		

FAN AND GENERATOR BELTS

Y				GO-9433758
Y	(EXC. 70 AMP. GEN.)	GS-9433760	GS-9433760	
Y	w/70 AMP. GEN.	GT-9433761	GT-9433761	

POWER STEERING BELTS

Y		FF-9433725	FF-9433725	FF-9433725
---	--	------------	------------	------------

AIR CONDITIONING COMPRESSOR BELTS

Y		PF-9433917	PF-9433917	PD-9433915
---	--	------------	------------	------------

AIR INJECTION PUMP BELTS

Y	w/M.T. (M18)		AM-9433611	
Y	w/A.T. (MV4, M33)	EX-9433717	EX-9433717	EX-9433717

Refer to Standard Belt Chart for Sizes.

1981 — V-BELTS (1.066)

CHEVROLET CORVETTE

VIN ENGINE CODE		6
LITER OR CUBIC INCH		350
OPTION NUMBERS		L81
SERIES	USAGE	

FAN AND GENERATOR BELTS

Y	(EXC. 70 AMP. GEN.)	GS-9433760
Y	w/70 AMP. GEN.	GT-9433761

POWER STEERING BELT

Y		FF-9433725
---	--	------------

AIR CONDITIONING COMPRESSOR BELT

Y		PF-9433917
---	--	------------

AIR INJECTION PUMP BELT

Y		EW-9433716
---	--	------------

NOTE: Refer To Standard Belt Chart for Sizes.

**1982 — V-BELTS (1.066)
CHEVROLET CORVETTE**

VIN ENGR' E CODE		8
LITER OR CUBIC INCH		5.7
OPTION NUMBERS		L83
SERIES	USAGE	

FAN AND GENERATOR BELTS

Y		GT-9433761
---	--	------------

POWER STEERING BELT

Y		FF-9433725
---	--	------------

AIR CONDITIONING COMPRESSOR BELT

Y		UH-14060636
---	--	-------------

AIR INJECTION PUMP BELT

Y		EW-S*33716
---	--	------------

NOTE: Refer To Standard Belt Chart for Sizes.

PARTS

2



CHASSIS WIRING — LAMPS

ALPHABETICAL INDEX

A			
ACTUATOR, Concealed Headlamp Control Drive	2.760	BUSHING, Horn Button Blowing	2.819
ACTUATOR, Headlamp Dimmer	2.459	BUSHING, Starter Motor Drive End	2.083
ACTUATOR, Ignition Switch Warning, Lock or Headlamp	2.195	BUTTON, Distributor	2.381
ACTUATOR KIT, Ignition Switch Warning, Lock or Headlamp	2.195	BUTTON, Side Marker and Hazard Flasher	2.575
AMMETER, Instrument Panel	2.515	BUZZER, Headlamp Warning	2.461
AMPLIFIER, Distributor	2.383	BUZZER, Ignition Switch Warning, Lock or Headlamp	2.195
ARMATURE, Starter Motor	2.043		
ARM, Turn Signal Lamp	2.895		
		C	
		CABLE, Battery(Negative)	2.341
		CABLE, Battery(Positive)	2.342
		CABLE, Turn Signal Lamp	2.895
		CAM CONVERSION KIT, Turn Signal Switch Cancelling	2.896
		CAM, Distributor	2.381
		CAM, Horn Button Blowing	2.819
		CAM, Turn Signal Switch Cancelling	2.896
		CAPACITOR, Distributor	2.393
		CAPACITOR, Generator	2.319
		CAPACITOR, Stop Lamp	2.447
		CAP, Distributor	2.367
		CAP, Horn Button	2.820
		CAPSULE, Headlamp	2.725
		CLAMP, Battery Hold Down	2.335
		CLAMP, Distributor and Fuel Injector	2.363
		CLIP, Back Up Lamp	2.698
		CLIP, Battery Cable	2.343
		CLIP, Chassis Wiring	2.480
		CLIP, Chassis Wiring Harness	2.559
		CLIP, Generator	2.313
		CLIP, Ignition Switch Warning, Lock or Headlamp	2.195
		CLIP, Side Marker and Hazard Flasher	2.575
		CLIP, Spark Plug Wire	2.251
		CLIP, Stop Lamp	2.447
		CLIP, Turn Signal Lamp	2.892
		COIL, Ignition	2.170
		COIL, Starter Motor	2.049
		COLLAR, Generator Drive End	2.307
		COLLAR, Starter Motor Thrust	2.063
		CONDENSER, Distributor	2.393
		CONDUIT, Chassis Electrical	2.530
		CONNECTOR, Chassis Electrical	2.530
		CONNECTOR, Concealed Headlamp Control Opening Cover	2.765
		CONNECTOR, Distributor	2.400
		CONNECTOR, Engine and Transmission Controlled Spark	2.408
		CONTACT, Horn Button Blowing	2.819
		CONTACT, Starter Motor Switch	2.102
		CONTROL, Distributor Vacuum	2.410
		CONTROLLER, Ignition Switch Warning, Lock or Headlamp	2.195
		COVER, Battery Filler	2.345
		COVER, Chassis Wiring Harness	2.559
		COVER, Distributor Cap Retaining	2.368
		COVER, Generator	2.313
		COVER, Ignition and Locks	2.187
		COVER, Turn Signal Lamp	2.895
		COVER, Turn Signal Switch	2.906
B			
BEARING, Concealed Headlamp Control Opening Cover	2.765		
BEARING, Generator Drive End	2.307		
BEARING, Generator Slip Ring End Frame	2.298		
BEARING, Turn Signal Lamp	2.895		
BEZEL, Headlamp	2.728		
BEZEL, Headlamp Switch	2.487		
BEZEL, Side Marker and Hazard Flasher	2.575		
BEZEL, Tail Lamp Lens	2.689		
BLOCK, Battery(Positive)	2.342		
BOLT, Battery Hold Down	2.334		
BOLT, Generator	2.313		
BOLT, Generator Mounting	2.277		
BOLT KIT, Battery Cable	2.343		
BOLT, Starter Motor	2.042		
BOLT, Starter Motor Shoe	2.077		
BRACE, Generator	2.317		
BRACE, Starter Motor	2.042		
BRACKET, Back Up Lamp	2.698		
BRACKET, Battery Cable	2.343		
BRACKET, Chassis Wiring Harness	2.559		
BRACKET, Chassis Wiring	2.480		
BRACKET, Concealed Headlamp Motor	2.755		
BRACKET, Concealed Headlamp Control Opening Cover	2.765		
BRACKET, Concealed Headlamp Control Drive	2.760		
BRACKET, Distributor	2.383		
BRACKET, Distributor	2.393		
BRACKET, Generator Mounting	2.277		
BRACKET, Headlamp Adjuster	2.737		
BRACKET, Ignition Coil Mounting	2.183		
BRACKET, Ignition Switch Warning, Lock or Headlamp	2.195		
BRACKET KIT, Headlamp Adjuster	2.737		
BRACKET, Spark Plug Wire	2.251		
BRACKET, Stop Lamp	2.447		
BREAKER, Headlamp	2.485		
BRIDGE, Generator	2.319		
BRUSH, Distributor Cap Retaining	2.368		
BRUSH, Generator	2.285		
BRUSH, Generator Brush	2.291		
BRUSH, Starter Motor	2.051		
BUSHING, Concealed Headlamp Control Opening Cover	2.765		
BUSHING, Distributor	2.401		

ALPHABETICAL INDEX

CUP, Horn Button Blowing 2.819
 CUP, Turn Signal Switch 2.906
 CYLINDER, Ignition Switch 2.188
 CYLINDER KIT, Ignition Switch 2.188

D

DIODE, Distributor 2.383
 DIODE, Generator 2.319
 DISC, Concealed Headlamp Control Drive 2.760
 DISTRIBUTOR, Ignition 2.361
 DOOR, Parking Lamp 2.593
 DRIVE, Starter Motor 2.086

E

EMBLEM, Horn Button 2.820
 END, Concealed Headlamp Opening Cover 2.770
 ESCUTCHEON, Ignition Switch Warning, Lock
 or Headlamp 2.195
 EXTENSION, Chassis Wiring 2.480

F

FAN, Generator 2.274
 FERRULE, Headlamp Switch 2.487
 FERRULE, Ignition Lock 2.198
 FILTER, Concealed Headlamp Control Drive 2.760
 FLASHER, Ignition Switch Warning, Lock or
 Headlamp 2.195
 FLASHER, Side Marker and Hazard Flasher 2.575
 FLASHER, Turn Signal Lamp 2.892
 FRAME, Generator Drive End 2.305
 FRAME, Generator Slip Ring 2.297
 FRAME, Starter Motor Commutator End 2.067

G

GAGE, Instrument Panel 2.515
 GASKET, Back Up Lamp 2.697
 GASKET, Distributor and Fuel Injector 2.363
 GASKET, Generator Drive End 2.307
 GASKET, Headlamp Body to Fender 2.722
 GASKET, Ignition Switch Warning, Lock or
 Headlamp 2.195
 GASKET, Spark Plug 2.271
 GASKET, Starter Solenoid 2.104
 GASKET, Tail Lamp 2.660
 GASKET, Tail Lamp Lens 2.684
 GEAR, Concealed Headlamp Control Drive 2.760
 GEAR KIT, Distributor Drive and Driven 2.374
 GENERATOR, Engine Electrical 2.275
 GROMMET, Back Up Lamp 2.697
 GROMMET, Chassis Wiring 2.480
 GROMMET, Concealed Headlamp Control
 Opening Cover 2.765
 GROMMET, Concealed Headlamp Control Drive 2.760
 GROMMET, Distributor 2.383
 GROMMET, Distributor 2.372
 GROMMET, Distributor 2.401
 GROMMET, Spark Plug Wire 2.251
 GROMMET, Starter Motor Switch 2.102
 GUIDE, Generator 2.274

H

HARNESS, Chassis Wiring 2.480
 HARNESS, Distributor 2.383
 HARNESS, Engine Wiring 2.525

HEAT SINK, Generator 2.319
 HOLDER KIT, Generator Brush 2.291
 HOLDER, Starter Motor Brush 2.052
 HORN, Ignition Switch Warning, Lock or
 Headlamp 2.195
 HORN, Warning 2.810
 HOUSING, Concealed Headlamp Opening Cover 2.770
 HOUSING, Ignition Distributor 2.362
 HOUSING, Parking, Turn Signal and Cornering
 Lamp 2.586
 HOUSING, Starter Motor Drive 2.085
 HOUSING, Tail Lamp 2.680

I

INSERT, Concealed Headlamp Motor 2.755
 INSERT, Lamp Monitor 2.584
 INSULATION, Starter Motor 2.049
 INSULATOR, Distributor 2.383
 INSULATOR, Generator 2.313
 INSULATOR, Horn Button Blowing 2.819

K

KEY, Ignition and Locks 2.187
 KIT, Engine Tune-up 2.270
 KNOB, Side Marker and Hazard Flasher 2.575
 KNOB, Turn Signal Control 2.897

L

LAMP, Back Up Lamp 2.697
 LAMP, Parking, Turn Signal and Cornering 2.585
 LAMP, Rear License Lamp 2.700
 LAMP, Side Marker and Hazard Flasher 2.575
 LAMP, Tail Lamp 2.679
 LEAD, Distributor 2.400
 LEAD, Starter Motor Brush Ground 2.055
 LENS, Back Up Lamp 2.697
 LENS, Lamp Monitor 2.583
 LENS, Parking, Turn Signal or Cornering Lamp 2.589
 LENS, Rear License Lamp 2.709
 LENS, Tail Lamp 2.682
 LEVER, Ignition Switch Warning, Lock or
 Headlamp 2.195
 LEVER, Side Marker and Hazard Flasher 2.575
 LEVER, Starter Motor Drive Shift 2.108
 LEVER, Turn Signal Control 2.897
 LEVER, Turn Signal Lamp 2.895
 LINK, Concealed Headlamp Control Opening
 Cover 2.765
 LOCK, Ignition Switch 2.188
 LUBRICATOR KIT, Distributor 2.364

M

MODULE, Chassis Wiring 2.480
 MODULE, Distributor 2.383
 MOLDING, Headlamp 2.728
 MOTOR, Concealed Headlamp Control Drive 2.760
 MOTOR, Starter 2.041

N

NIPPLE, Spark Plug Wire 2.258
 NUT, Chassis Wiring Harness 2.559
 NUT, Distributor 2.383
 NUT, Generator Rotor Shaft 2.280
 NUT, Headlamp Mounting 2.729

ALPHABETICAL INDEX

NUT, Headlamp Retaining Ring	2.736
NUT, Headlamp Switch	2.487
NUT, Ignition Lock	2.198
NUT, Side Marker and Hazard Flasher	2.575
NUT, Starter Solenoid	2.104
NUT, Tail Lamp	2.660

O

O RING, Turn Signal Lamp	2.895
ORNAMENT, Parking, Turn Signal and Cornering Lamp	2.586

P

PANEL, Tail Lamp	2.680
PIN, Concealed Headlamp Control Opening Cover	2.765
PIN, Distributor Shaft Thrust and Gear	2.379
PIN, Headlamp Dimmer	2.459
PIN, Starter Motor Brush	2.052
PIN, Starter Motor Drive Shift	2.108
PIVOT, Concealed Headlamp Control Opening Cover	2.765
PIVOT, Headlamp Dimmer	2.459
PIVOT KIT, Headlamp Dimmer	2.459
PLATE, Distributor Breaker	2.385
PLATE, Generator Drive End	2.307
PLATE, Headlamp Dimmer	2.459
PLATE, Ignition Switch Warning, Lock or Headlamp	2.195
PLATE, Instrument Panel Harness	2.483
PLATE, Turn Signal Lamp	2.895
PLUG, Concealed Headlamp Opening Cover	2.770
PLUG, Engine Tune-up	2.270
PLUG, Tail Lamp	2.694
PLUG, Tail Lamp Mounting	2.688
PLUNGER, Starter Motor Solenoid	2.113
POINT KIT, Distributor	2.384
POLE PIECE, Distributor	2.372
POLE, Starter Motor Shoe	2.077
PULLEY, Generator	2.274

R

RACK, Ignition Switch Warning, Lock or Headlamp	2.195
RACK KIT, Ignition Switch Warning, Lock or Headlamp	2.195
REGULATOR, Voltage	2.500
REINFORCEMENT, Battery Hold Down	2.335
REINFORCEMENT, Tail Lamp Mounting	2.662
RELAY, Concealed Headlamp Motor	2.755
RELAY, Engine and Transmission Controlled Spark	2.408
RELAY, Horn	2.815
RELAY, Ignition Switch Warning, Lock or Headlamp	2.195
REPAIR KIT, Chassis Electrical	2.530
RESISTOR, Distributor	2.383
RESISTOR, Generator	2.319
RESISTOR, Ignition Coil	2.173
RETAINER, Battery Hold Down	2.335
RETAINER, Concealed Headlamp Control Drive	2.760
RETAINER, Distributor	2.372
RETAINER, Distributor	2.364
RETAINER, Headlamp Control	2.775
RETAINER, Horn Button Blowing	2.819
RETAINER, Horn Button	2.820
RETAINER, Ignition Switch Warning, Lock or Headlamp	2.195
RETAINER, Spark Plug Wire	2.251
RETAINER, Tail Lamp	2.660
RING, Headlamp	2.726
RING, Headlamp Retaining	2.731

RING, Horn Button Blowing	2.819
RING, Starter Motor Thrust	2.063
ROD, Back Up Lamp	2.698
ROD, Concealed Headlamp Control Opening Cover	2.765
ROD, Headlamp Dimmer	2.459
ROD, Headlamp Switch	2.486
ROD, Ignition Switch Warning, Lock or Headlamp	2.195
ROTOR, Distributor	2.382
ROTOR, Generator	2.279

S

SCREW, Back Up Lamp	2.698
SCREW, Battery Cable	2.343
SCREW, Battery Hold Down	2.334
SCREW, Concealed Headlamp Control Drive	2.760
SCREW, Concealed Headlamp Control Opening Cover	2.765
SCREW, Distributor	2.393
SCREW, Distributor	2.383
SCREW, Distributor	2.372
SCREW, Distributor Cap Retaining	2.368
SCREW, Generator	2.319
SCREW, Generator Brush	2.291
SCREW, Generator Drive End	2.307
SCREW, Generator Mounting	2.277
SCREW, Headlamp Control	2.775
SCREW, Headlamp Mounting	2.729
SCREW, Headlamp Retaining Ring	2.736
SCREW, Horn Button Blowing	2.819
SCREW, Ignition Coil Mounting	2.183
SCREW, Ignition Switch	2.188
SCREW, Ignition Switch Warning, Lock or Headlamp	2.195
SCREW, Rear License Lamp	2.708
SCREW, Starter Motor	2.042
SCREW, Starter Motor Shoe	2.077
SCREW, Turn Signal Lamp	2.895
SCREW, Turn Signal Switch	2.906
SCREW, Voltage	2.500
SEALBEAM, Headlamp	2.727
SEAL, Distributor and Fuel Injector	2.363
SEAL, Distributor Drive Shaft	2.375
SEAL, Generator Slip Ring End Frame	2.298
SEAL, Headlamp Control	2.775
SEAL, Ignition Coil Mounting	2.183
SEAL, Lamp Monitor	2.584
SECTOR, Ignition Switch Warning, Lock or Headlamp	2.195
SECTOR KIT, Ignition Switch Warning, Lock or Headlamp	2.195
SHAFT, Distributor	2.372
SHAFT, Ignition Switch Warning, Lock or Headlamp	2.195
SHAFT, Starter Motor Drive Shift	2.108
SHIELD, Chassis Wiring Harness	2.559
SHIELD, Distributor	2.383
SHIELD, Headlamp	2.726
SHIELD, Ignition Switch Warning, Lock or Headlamp	2.195
SHIELD KIT, Distributor	2.393
SHIELD, Side Marker and Hazard Flasher	2.575
SHIELD, Spark Plug Wire	2.251
SHIELD, Starter Solenoid	2.104
SHIM, Distributor Shaft Thrust and Gear	2.379
SHIM, Starter Motor	2.042
SHIM, Warning	2.810
SLEEVE, Concealed Headlamp Control Opening Cover	2.765
SLEEVE, Distributor Breaker	2.385
SLINGER, Generator Drive End	2.307
SOCKET, Back Up Lamp	2.697
SOCKET, Parking Lamp	2.596
SOCKET, Rear License Lamp	2.714
SOCKET, Side Marker and Hazard Flasher	2.575
SOCKET, Tail Lamp	2.694
SOLENOID, Engine and Transmission Controlled Spark	2.408
SPACER, Battery	2.333

ALPHABETICAL INDEX

SPACER, Concealed Headlamp Opening Cover	2.770
SPACER, Generator	2.317
SPACER, Generator Mounting	2.277
SPACER, Starter Motor	2.042
SPACER, Turn Signal Lamp	2.895
SPRING, Concealed Headlamp Control Opening Cover	2.765
SPRING, Concealed Headlamp Control Drive	2.760
SPRING CLIP, Concealed Headlamp Control Opening Cover	2.765
SPRING, Distributor Breaker	2.385
SPRING, Distributor Weight	2.389
SPRING, Generator	2.319
SPRING, Generator Brush	2.286
SPRING, Headlamp Adjuster	2.737
SPRING, Headlamp Dimmer	2.459
SPRING, Horn Button Blowing	2.819
SPRING, Ignition Switch Warning, Lock or Headlamp	2.195
SPRING, Side Marker and Hazard Flasher	2.575
SPRING, Starter Drive	2.087
SPRING, Starter Motor Drive Shift	2.108
SPRING, Starter Motor Brush	2.053
SPRING, Turn Signal Switch Cancelling	2.896
STATOR, Generator Field	2.310
STOP, Concealed Headlamp Control Opening Cover	2.765
STOP, Headlamp Control	2.775
STRAP, Battery(Negative)	2.341
STRAP, Chassis Wiring Harness	2.559
STRAP, Distributor	2.383
STRAP, Distributor	2.400
STRAP, Headlamp	2.485
STRIKER, Stop Lamp	2.447
STUD, Battery Hold Down	2.334
STUD, Concealed Headlamp Control Opening Cover	2.765
STUD, Ignition Switch	2.188
STUD, Starter Motor Drive Shift	2.108
STUD, Starter Motor Switch	2.102
SUB BODY, Headlamp	2.726
SUPPORT, Concealed Headlamp Control Opening Cover	2.765
SUPPORT, Generator Mounting	2.277
SUPPORT, Horn Button Blowing	2.819
SUPPORT KIT, Concealed Headlamp Control Opening Cover	2.765
SUPPORT, Parking Lamp	2.587
SUPPORT, Spark Plug Wire	2.251
SUPPORT, Starter Motor Brush	2.052
SUPPORT, Turn Signal Switch	2.906
SWITCH, Back Up Lamp	2.698
SWITCH, Concealed Headlamp Motor	2.755
SWITCH, Distributor Vacuum	2.410
SWITCH, Engine and Transmission Controlled Spark	2.408
SWITCH, Headlamp	2.485
SWITCH, Headlamp Dimmer	2.459
SWITCH, Ignition Switch	2.188
SWITCH, Ignition Switch Warning, Lock or Headlamp	2.195
SWITCH KIT, Ignition Switch Warning, Lock or Headlamp	2.195
SWITCH, Side Marker and Hazard Flasher	2.575
SWITCH, Starter Motor	2.100
SWITCH, Stop Lamp	2.447
SWITCH, Turn Signal Lamp	2.895

T

TANK, Concealed Headlamp Control Drive	2.760
TEE, Concealed Headlamp Control Drive	2.760
TEE, Distributor Vacuum	2.420
TERMINAL BLOCK, Distributor	2.383
TERMINAL, Chassis Electrical	2.530
TERMINAL, Concealed Headlamp Control Opening Cover	2.765
TERMINAL KIT, Generator	2.313
TRANSISTOR, Distributor	2.383
TRANSISTOR, Voltage and Glow Plug	2.510

V

VALVE, Concealed Headlamp Control Drive	2.760
VALVE, Engine and Transmission Controlled Spark	2.408

W

WASHER, Battery Filler	2.345
WASHER, Battery Hold Down	2.334
WASHER, Concealed Headlamp Control Opening Cover	2.765
WASHER, Distributor	2.364
WASHER, Distributor Shaft Thrust and Gear	2.379
WASHER, Generator	2.313
WASHER, Generator Brush	2.291
WASHER, Generator Drive End	2.307
WASHER, Generator Mounting	2.277
WASHER, Generator Rotor Shaft	2.280
WASHER, Ignition Switch Warning, Lock or Headlamp	2.195
WASHER, Instrument Panel	2.515
WASHER, Starter Motor Switch	2.102
WASHER, Starter Motor Thrust	2.063
WEIGHT, Distributor	2.388
WICK, Generator Oil	2.301
WIRE, Back Up Lamp	2.697
WIRE, Battery(Negative)	2.341
WIRE, Chassis Wiring	2.480
WIRE, Engine Wiring	2.524
WIRE, Horn	2.815
WIRE, Horn Lead	2.859
WIRE KIT, Spark or Glow Plug	2.239
WIRE, Parking Lamp	2.596
WIRE, Spark Plug	2.240

CHASSIS WIRING-LAMPS

2.041 MOTOR, Starter

NOTE: FOR STARTER MOTORS ACCEPTABLE FOR EXCHANGE CREDIT SEE EXCHANGE SECTION OF DEALER PRICE SCHEDULE.

NOTE: LIST PRICE SHOWN DOES NOT INCLUDE EXCHANGE CHARGE. REFER TO DEALER PRICE SCHEDULE FOR EXCHANGE CHARGE.

62-65	Y (327)	801218	1	78.05	MOTOR (REMANUFACTURED)
65	Y (396) W/H.D. 4-SPD., SP. H/PER.	1108400	1	225.25	MOTOR, W/SW(NEW)
65	Y (396) W/H.D., 4-SPD., SP. H/PER.	1108789	1	197.45	MOTOR, W/SW (STAMPED 1108351-1108381) (NEW)
65-68	Y (396, 427) W/H.D. CLU.	801218	1	N.L.	MOTOR (REMANUFACTURED)
66-68	Y (EXC. H.D. CLU.)	1876552	1	78.85	MOTOR (REMANUFACTURED)
66-68	Y (427) (EXC. H.D.)	1108400	1	225.25	MOTOR, W/SW(NEW)
66-68	Y (427) W/H.D.	1108789	1	197.45	MOTOR, W/SW (STAMPED 1108351-1108381) (NEW)
69	Y (EXC. 427)	1108400	1	225.25	MOTOR, W/SW(NEW)
69	Y (427) W/H.D. CLU. (EXC. A.T.)	801218	1	N.L.	MOTOR (REMANUFACTURED)
69	Y (427) W/H.D., T.H.	1108400	1	225.25	MOTOR, W/SW(NEW)
69	Y (427) W/H.D. (EXC. T.H.)	1108789	1	197.45	MOTOR, W/SW (STAMPED 1108351-1108381) (NEW)
69	Y (427) W/H.D. CLU., A.T. (350)	1876552	1	78.85	MOTOR (REMANUFACTURED)
69-72	Y W/H.D. 4-SPD.	1108789	1	197.45	MOTOR, W/SW (STAMPED 1108351-1108381) (NEW)
70-72	Y (350) W/M.T. (EXC. H.D. 4-SPD.)	1108400	1	225.25	MOTOR, W/SW(NEW)
70-72	Y (350) W/M.T. (EXC. H.D. CLU.)	1876552	1	78.85	MOTOR (REMANUFACTURED)
70-74	Y (454) W/M.T.	1108400	1	225.25	MOTOR, W/SW(NEW)
70-77	Y W/A.T.	1108429	1	185.20	MOTOR, W/SW(NEW)
70-74	Y W/A.T.	1876555	1	N.L.	MOTOR (REMANUFACTURED)
70-72	Y W/H.D. CLU.	801218	1	N.L.	MOTOR (REMANUFACTURED)
71-77	Y W/M.T.	1876552	1	78.85	MOTOR (REMANUFACTURED)
74-77	Y (350) W/M.T.	1108400	1	225.25	MOTOR, W/SW(NEW)
75-77	Y W/A.T.	1894142	1	N.L.	MOTOR (REMANUFACTURED)
75-76	Y W/M.T. (M20, M21)	1977070	1		MOTOR (REMANUFACTURED)
78-81	Y W/A.T.	1109068	1	193.85	MOTOR (W/1109065)(NEW)
78-81	Y W/A.T.	1988603	1	92.83	MOTOR (REMANUFACTURED)
78-81	Y W/M.T.	1109067	1	201.05	MOTOR (W/1109067)(NEW)
78-81	Y W/M.T.	1977070	1		MOTOR (REMANUFACTURED)
82	Y W/A.T.	1998243	1	220.45	MOTOR (NEW)

2.042 BOLT-BRACE-SCREW-SHIM-SPACER, Starter Motor

62	Y (327) W/P.G.	1366042	1	1.30	BOLT, ATTACH (3/8 X 1 27/32)
62	Y (327) W/P.G.	14057099	AR	1.30	BOLT, AT INR HOLE (3/8 X 4 21/32)
63-69	Y (EXC. 396, 427 H.D. CLUTCH, T.H.)	14057099	AR	1.30	BOLT, AT INR HOLE (3/8 X 4 21/32)
65-66	Y (EXC. 427)	1366042	1	1.30	BOLT, ATTACH (3/8 X 1 27/32)
66-68	Y (427) W/H.D. (EXC. H.D. 4-SPD.)	3733289	2	.91	BOLT, ATTACH (3/8-16 X 3 5/8)
69	Y (350) (EXC. SP. H/PER.)	3733289	2	.91	BOLT, ATTACH (3/8-16 X 3 5/8)
69-70	Y (427, 454) W/H.D.	1366042	1	1.30	BOLT, ATTACH (3/8 X 1 27/32)
70-72	Y (350)	14057099	AR	1.30	BOLT, AT INR HOLE (3/8 X 4 21/32)
70	Y (350) (H.D. 4-SPD. W/SP. H/PER.)	1366042	1	1.30	BOLT, ATTACH (3/8 X 1 27/32)
71-79	Y (350)	1366042	1	1.30	BOLT, ATTACH. (3/8 X 1 27/32)
73-82	Y W/A.T.	14057099	AR	1.30	BOLT, AT INR HOLE (3/8 X 4 21/32)
73-81	Y W/M.T.	3733289	2	.91	BOLT, ATTACH (3/8-16 X 3 5/8)
82	Y	14037730	2	1.30	BOLT, START. MTR (3/8-16 X 4.66)
62	Y W/P.G. (327)	354353	1	2.25	BRACE
63-69	Y (283, 327, 350)	354353	1	2.25	BRACE
65-67	Y (396, 427) W/SP. H/PER.	3866768	1	3.60	BRACE
68-67	Y (427) (EXC. H.D. 4-SPD.)	3864972	1	.75	BRACE
67-69	Y (427) W/H.D. (EXC. T.H.)	3866768	1	3.60	BRACE
67-69	Y (427) (EXC H/PER, H.D. 4-SPD.)	3965589	1	1.20	BRACE
68-69	Y (EXC. 427, T.H.)	354353	1	2.25	BRACE
68-69	Y (427)	3864972	1	.75	BRACE
70-72	Y (350) (H.D. 4-SPD. W/SP. H/PER.)	354353	1	2.25	BRACE
70-74	Y (454)	3965588	1	.52	BRACE
70-72	Y (350) (EXC H.D. 4-SPD.)	3965589	1	1.20	BRACE
73-76	Y (305, 350)	3965589	1	1.20	BRACE
77-82	Y	3965589	1	1.20	BRACE
73-82	Y	14020698	1	.35	SCREW, W/LW, STR MTR BRACE TO CYL AND CASE

CHASSIS WIRING-LAMPS

2.042 BOLT-BRACE-SCREW-SHIM-SPACER, Starter Motor (Con't)

53-82	Y	10008053	AR	38	SHIM, START MTR (24.4 X 106.7 X 0.38 STEEL)
78-82	Y	1246249	AR	57	SHIM (1 X 1 7/8 X .015)(STEEL)
62	Y	3819824	1	88	SPACER
63	Y	3819824	1	88	SPACER

2.043 ARMATURE, Starter Motor

NOTE 1: LIST PRICE SHOWN DOES NOT INCLUDE EXCHANGE CHARGE. REFER TO DEALER PARTS PRICE SCHEDULE FOR EXCHANGE PRICE.

NOTE 2: IDENTIFIED BY PART NUMBER STAMPED ON STARTER MOTOR.

57-81	Y	(8 CYL.)	1955937	1	50.25	ARMATURE
61-82	Y	(327) (EXC. P.G.)	1955937	1	50.25	ARMATURE
62	Y	(283)	1955937	1	50.25	ARMATURE
63-85	Y	(EXC. 396)	1955937	1	50.25	ARMATURE
65-88	Y	(396, 427) W/SP. H/PER.	1940624	1	62.05	ARMATURE
66-87	Y	(EXC. 396, 427, H.D. CLUTCH)	1955937	1	50.25	ARMATURE (EXCHANGE ITEM)
66-88	Y	(427) (EXC. SP. H/PER.)	1965724	1	60.20	ARMATURE
69	Y	(EXC. H.D. 427)	1966228	1	50.80	ARMATURE
69	Y	(427) W/H.D.	1940624	1	62.05	ARMATURE
70-72	Y	(350) W/SP. H/PER., H.D. 4-SPD.	1940624	1	62.05	ARMATURE (EXCHANGE ITEM) (NOTE 1)
70-72	Y	(350) W/M.T. (EXC. H.D. 4-SPD.)	1966228	1	50.80	ARMATURE (EXCHANGE ITEM) (NOTE 1)
70-78	Y	(350) W/A.T.	1971568	1	N.L.	ARMATURE (W/1108427) (EXCHANGE ITEM) (NOTE 1)
70-71	Y	(454) W/M.T.	1965724	1	60.20	ARMATURE
71-79	Y	W/A.T.	1970548	1	N.L.	ARMATURE
72-76	Y	W/M.T. (EXC. H.D. 4-SPD.)	1965724	1	60.20	ARMATURE (EXCHANGE ITEM) (NOTE 1)
80	Y	W/A.T. (MV4, M33) (1ST DESIGN)	1970548	1	N.L.	ARMATURE (W/1108429-30-8775-76)
80	Y	W/A.T. (MV4) (2ND DESIGN)	1978517	1	53.25	ARMATURE (W/1998222) (NOTE 2)
80	Y	W/M.T. (M18) (2ND DESIGN)	1978517	1	53.25	ARMATURE (W/1998225) (NOTE 2)
81-82	Y		1970548	1	N.L.	ARMATURE

2.049 COIL -INSULATION, Starter Motor

57-81	Y		1974924	1	26.10	COIL (4 COILS)
82-89	Y	(327)	1935131	1	6.00	COIL, SHUNT(1 COIL)
62-89	Y	(327)	1975249	1	25.85	COIL (3 COILS)
65-89	Y	(396, 427)	1877306	1	N.L.	COIL (4 COILS)
66	Y	(427) (EXC. SP. H/PER.)	1935131	1	6.00	COIL, SHUNT(1 COIL)
66	Y	(427) (EXC. SP. H/PER.)	1975249	1	25.85	COIL (3 COILS)
70-79	Y		1877306	1	N.L.	COIL (4 COILS) (W/1107352-65-1108351-1108400-1R-1108429-30)
70-72	Y	(350) (EXC. H.D. 4-SPD.)	1935131	1	6.00	COIL, SHUNT(1 COIL)
70-72	Y	(350) (EXC. H.D. 4-SPD.)	1975249	1	25.85	COIL (3 COILS)
73-76	Y	(350) (EXC. 4-SPD.)	1935131	1	6.00	COIL, SHUNT (1 COIL) (W/1107233-42-7320-8338-61)
73-74	Y	(350) (EXC. 4-SPD.)	1975249	1	25.85	COIL (3 COILS) (W/1107233-42-7320-8338-61-8427-30)
80	Y	W/A.T. (M33) (1ST DESIGN)	1877306	1	N.L.	COIL (4 COILS)(W/1109065)
80	Y	W/A.T. (MV4), M.T. (M18)	1877306	1	N.L.	COIL (4 COILS)
80	Y	W/A.T. (M33) (2ND DESIGN)	1974183	1	18.95	COIL, FLD(W/1998226)
81-82	Y		1877306	1	N.L.	COIL, FLD
70-77	Y	W/A.T.	1927853	4	.13	INSULATION.

2.051 BRUSH, Starter Motor

55-83	Y	(12 VOLT)	1908945	4	N.L.	BRUSH (STAMPED 945) (13/64 HOLE)
64-82	Y		1908945	4	N.L.	BRUSH (STAMPED 945)(13/64 HOLE)

2.052 HOLDER-PIN-SUPPORT, Starter Motor Brush

NOTE 1: CONSISTS OF 1 EA. SUPPORT, LEAD, PIN AND 2 EA. SCREWS, NUTS WASHERS.

55-82	Y		1926618	2	1.32	HOLDER (INSULATED)
55-82	Y		1940477	2	1.21	HOLDER, BRUSH(GROUND)
70-78	Y	(350) (EXC. H.D. 4-SPD.)	1938058	2	.30	PIN, HOLDER (W/1108338-1108427)
70-72	Y	(350) W/SP. H/PER., H.D. 4-SPD.	1968923	2	.38	PIN, SUPT (W/1108351-81-1108400-29-30)
70-72	Y	(454)	1968923	2	.38	PIN, SUPT (W/1108351-81-1108400-29-30)
73-76	Y	(350) (EXC. 4-SPD.)	1968923	2	.38	PIN, SUPT (W/1108351-81-1108400-29-30)
77-82	Y		1968923	2	.38	PIN, SUPT
55-82	Y		1928015	2	1.64	SUPPORT, BRUSH HOLDER (NOTE 1)

CHASSIS WIRING-LAMPS

2.053		SPRING, Starter Motor Brush			
55-82	Y (12 VOLT)	1926622	2	.53	SPRING, BRUSH (HAIR PIN TYPE 1/2" WIDE)
2.055		LEAD, Starter Motor Brush Ground			
55-82	Y	1980864	2	.32	LEAD, GROUND (2 TERMINALS 2 3/8" LONG)
2.063		COLLAR-RING-WASHER, Starter Motor Thrust			
55-82	Y (12 VOLT)	1927849	1	1.05	COLLAR, PINION STOP DRIVE END (15/32 I.D. X 11/16 O. D. X 3/16 WIDE)
55-82	Y (12 VOLT)	1927850	1	.32	COLLAR, THRUST DRIVE END (15/32 I.D. X 11/16 O.D.) (7/64 THK.)
55-82	Y (12 VOLT)	1927848	1	.09	RING, PINION STOP RETAINER (LOCK TYPE-7/16 I.D.)
53-82	Y	818265	1	.32	WASHER, BRAKE C.E.
53-55	Y (6 VOLT)	1928023	1	1.16	WASHER, DRIVE END (STEEL-1/2 I.D. X 3/4 O.D. X 1/16)
2.067		FRAME, Starter Motor Commutator End			
55-63	Y (12 VOLT)	1974157	1	N.L.	FRAME, W/BSHG (4 1/4 O.D.)
64-82	Y	1974157	1	N.L.	FRAME, W/BSHG(4 1/4 O.D.)
2.077		BOLT-POLE-SCREW, Starter Motor Shoe			
55-82	Y	1941111	1	.82	BOLT, W/EXT. THRU (1/4-20 X 5 7/8 W/5/8 EXT)
66-69	Y (427) (EXC. SP. H/PER.)	1939970	1	3.12	BOLT, THRU
70-82	Y	1939970	1	3.12	BOLT, THRU
70-74	Y (454) W/A.T.	810601	4	3.48	POLE, SHOE
75-79	Y	810601	4	3.48	POLE, SHOE (W/1109065)
80	Y W/A.T. (M33)	1931129	4	3.22	POLE, SHOE (W/1998226)
80-81	Y W/M.T. (M18)	810601	4	3.48	POLE, SHOE (W/1109065)
82	Y	810601	4	3.48	POLE, SHOE
78-82	Y	1968396	4	.30	SCREW, POLE SHOE
2.083		BUSHING , Starter Motor Drive End			
53-55	Y (6 VOLT)	1839345	1	.76	BUSHING (1/2 I.D. X 9/16 O.D. X 25/32 LONG)
55-69	Y (12 VOLT)	1923907	1	.50	BUSHING (15/32 I.D. X 33/64 O.D., 23/32 LONG)
70-77	Y W/A.T.	1932190	1	.42	BUSHING
70-77	Y W/M.T.	1923907	1	.50	BUSHING (15/32 I.D. X 33/64 O.D. 23/32 LONG)
78-79	Y	1932190	1	.42	BUSHING
80-81	Y W/M.T., A.T. (M33)	1932190	1	.42	BUSHING
2.085		HOUSING , Starter Motor Drive			
57-62	Y (8 CYL.)	1970297	1	39.40	HOUSING(W/1107664-688-7712-7889-7233-7273-7274-7286-7315-7369-7497-1108355-60-8368-8372-8385)
62	Y (327) W/P.G.	1988122	1	23.35	HOUSING
63-69	Y (EXC. 396, 427, H.D. CLUTCH)	1988122	1	23.35	HOUSING
65-66	Y (396, 427) W/SP. H/PER.	1988122	1	23.35	HOUSING
66-69	Y (427) (EXC. SP. H/PER.)	1984098	1	53.90	HOUSING(W/1107365-7385-8338-8382-8418)
68-69	Y (427) W/H.D.	1988122	1	23.35	HOUSING
70-72	Y (350) W/M.T. (EXC. H.D. 4-SPD.)	1984098	1	53.90	HOUSING
70-72	Y (454) W/M.T.	1984098	1	53.90	HOUSING
70-82	Y W/A.T.	1984097	1	28.90	HOUSING,
70-72	Y W/H.D. 4-SPD.	1988122	1	23.35	HOUSING(W/1107237-7242-7247-7259-7260-7320-7352-7399-7496-8351-61-65-67-81-8420)
73-81	Y W/M.T.	1984098	1	53.90	HOUSING (W/1108338-8400)
78-81	Y W/M.T.	1984098	1	53.90	HOUSING,
2.086		DRIVE, Starter Motor			
55-56	Y (12 VOLT)	1946221	1	25.50	DRIVE,
57-82	Y	1875687	1	N.L.	DRIVE,
2.087		SPRING, Starter Drive			
NOTE 1: IDENTIFIED BY PART NUMBER STAMPED ON STARTER MOTOR, NO COMPARABLE 1ST DESIGN.					
80	Y W/A.T. (MV4) (2ND DESIGN)	1932209	1	1.75	SPRING, ASSIST (W/1998222) (NOTE 1)
80	Y W/A.T. (M33) (2ND DESIGN)	1932209	1	1.75	SPRING, ASSIST (W/1998226) (NOTE 1)

CHASSIS WIRING-LAMPS

2.087		SPRING, Starter Drive (Con't)			
80	Y W/M.T. (M18) (2ND DESIGN)	1932209	1	1.75	SPRING, ASSIST (W/1998225) (NOTE 1)
2.100		SWITCH, Starter Motor			
56-71	Y	1114458	1	N.L.	SWITCH, SOL
55-56	Y (12 VOLT)	1119789	1	49.50	SWITCH, SOL (W/1912448 BOOT)
72-74	Y (454)	1114458	1	N.L.	SWITCH, SOL
73	Y	1114458	1	N.L.	SWITCH, SOL
75-81	Y	1114458	1	N.L.	SWITCH, SOL
82	Y	1114531	1	N.L.	SWITCH, SOL
2.102		CONTACT-GROMMET-STUD-WASHER, Starter Motor Switch			
57-81	Y	1956226	1	2.32	CONTACT, W/PUSH ROD
58-76	Y	1935645	1	.33	CONTACT, SWITCH (W/1107664-7652-7674-7677-7687-77 12-8810)
82	Y	1978337	1	4.64	CONTACT, W/PUSH ROD, SOL
62-69	Y (327)	1986391	1	.63	GROMMET, FIELD FRAME (7/16 I.D. X 3/4 O.D. W/SLOT AND IDENT RECESSES)
64-69	Y (396, 427)	1949327	1	.69	GROMMET, FIELD FRM
70-72	Y (350) (EXC. H.D. 4-SPD.)	1986391	1	.63	GROMMET, FIELD FRAME (7/16 I.D. X 3/4 O.D. W/SLOT AND IDENT RECESSES)
70-72	Y (350) W/H.D. 4-SPD., SP. H/PER.	1949327	1	.69	GROMMET, FIELD FRM
70-72	Y (454) W/M.T.	1949327	1	.69	GROMMET, FIELD FRM
70-79	Y W/A.T.	1846097	1	.20	GROMMET, FIELD FRM (W/1108429-30, 1109068)
73-74	Y (454) W/M.T.	1986391	1	.63	GROMMET, FIELD FRAME (7/16 I.D. X 3/4 O.D. W/SLOT AND IDENT RECESSES) (W/1107233-7242-7274-7315-7320-7336-7687-7688-8338-8427)
73-77	Y W/M.T.	1949327	1	.69	GROMMET, FIELD FRM
78-82	Y	1893370	1	.30	GROMMET, FIELD FRM (W/1109062, 059, 065)
55-64	Y (12 VOLT)	800487	1	.60	STUD, SW TERM
55-73	Y (12 VOLT)	3981507	2	.21	WASHER, SW CVR AND TERMINAL STUD. (NYLON-3/16 I.D. X 7)
2.104		GASKET-NUT-SHIELD, Starter Solenoid			
73-75	Y (350)	1986034	1	1.77	GASKET, SOL SW CVR
68-74	Y (427, 454)	3943648	1	2.55	NUT, SOL SHIELD (BARREL 1/4-20)
64-77	Y (EXC. 396, 427, 454)	3959552	1	1.15	SHIELD, SOL SPLASH
68-74	Y (427, 454)	3943647	1	6.30	SHIELD, SOL (STAINLESS STEEL)
78-82	Y	3959552	1	1.15	SHIELD, SOL SPLASH
2.108		LEVER-PIN-SHAFT-SPRING-STUD, Starter Motor Drive Shift			
57-69	Y	1951567	1	4.09	LEVER (3 17/32 BETWEEN END HOLES)
70-82	Y W/A.T.	801433	1	4.27	LEVER, SHIFT
70-81	Y W/M.T.	1951567	1	4.09	LEVER (3 17/32 BETWEEN END HOLES)
78-82	Y	1894321	1	.14	PIN, LVR TO PLUNGER
82	Y	809593	1	.24	PIN, DOWEL C.E.
62	Y (327) W/P.G.	1945804	1	1.08	SHAFT, LVR
63-67	Y (EXC. 396, 427)	1945804	1	1.08	SHAFT, LVR
65-67	Y (396, 427) W/SP. H/PER.	1945804	1	1.08	SHAFT, LVR
68-69	Y (EXC. 427)	1945804	1	1.08	SHAFT, LVR
70-72	Y (350) W/SP. H/PER., H.D. 4-SPD.	1945804	1	1.08	SHAFT, LVR
70-72	Y W/A.T.	1945804	1	1.08	SHAFT, LVR
73-82	Y	1945804	1	1.08	SHAFT, LVR
57-81	Y	1958679	1	1.40	SPRING, PLUNGER RTN
82	Y	1978281	1	1.46	SPRING, PLUNGER RTN
66-71	Y	1932197	1	.70	STUD, LVR (5/16-18 X 1 3/16)
72-81	Y W/M.T.	1932197	1	.70	STUD, LVR (5/16-18 X 1 3/16)
2.113		PLUNGER, Starter Motor Solenoid			
57-81	Y	1941113	1	9.05	PLUNGER, W/LINK
82	Y	1978297	1	9.45	PLUNGER
2.170		COIL, Ignition			
53-55	Y (6 VOLT)	1115380	1	32.50	COIL (NORMAL WEATHER OPERATION) (EMBOSS. 380-6-V)
55-67	Y W/12 VOLT (EXC. T. IGN.)	1115202	1	N.L.	COIL, W/1.8 OHM WIRE (STAMPED 202-12-V)
64-71	Y	1115207	1	39.40	COIL (EMBOSSED 176-12-V) (1.8 OHM WIRE)

CHASSIS WIRING-LAMPS

2.170		COIL, Ignition (Con't)			
67-74	Y	1115238	1	N.L.	COIL, W/1.3 OHM WIRE (STAMPED 238-BR)
75-81	Y	1985473	1	N.L.	COIL
82	Y	1985474	1	N.L.	COIL
2.173		RESISTOR, Ignition Coil			
65-82	Y (12 VOLT)	1931385	1	8.55	RESISTOR, PRIM (BLACK DOT) (.03 OHMS)
63	Y (EXC. SP. H/PER., F.I.) (1ST DESIGN)	1931385	1	8.55	RESISTOR, PRIM (BLACK DOT) (.03 OHMS)
63-64	Y (2ND DESIGN) (EXC. SP. H/PER., F.I.)	1957154	1	6.25	RESISTOR, PRIM (BLUE STRIPE) (1.8 OHMS)
63-64	Y W/SP. H/PER., F.I.	1931385	1	8.55	RESISTOR, PRIM (BLACK DOT) (.03 OHMS)
65	Y	1957154	1	6.25	RESISTOR, PRIM (BLUE STRIPE) (1.8 OHMS)
66-67	Y (EXC. T. IGN.)	1957154	1	6.25	RESISTOR, PRIM (BLUE STRIPE) (1.8 OHMS)
2.183		BRACKET-SCREW-SEAL, Ignition Coil Mounting			
55	Y (8 CYL.)	1909326	1	2.91	BRACKET
58-62	Y (EXC. F.I.)	3826072	1	13.30	BRACKET, SPARK PLUG WIRE
60	Y	1909326	1	2.91	BRACKET
60-61	Y	1929496	1	1.00	BRACKET, W/SCR
62	Y W/F.I.	1929496	1	1.00	BRACKET, W/SCR
63-68	Y (EXC. 396, 427)	3826072	1	13.30	BRACKET, SPARK PLUG WIRE
64	Y W/T. IGN.	1929496	1	1.00	BRACKET, W/SCR
67-68	Y (427)	1970344	1	3.95	BRACKET
68	Y	1970344	1	3.95	BRACKET
69	Y (EXC. T. IGN., H/PER., 427)	1970344	1	3.95	BRACKET
69	Y (427) W/T. IGN.	1970344	1	3.95	BRACKET
70-72	Y (350, 454)	1970344	1	3.95	BRACKET
73-74	Y	1846538	1	1.88	BRACKET
75-82	Y	1875961	4	.26	SCREW, W/WA, IGN COIL ATTACH
75-82	Y	1875962	1	3.37	SEAL, UNDER IGN COIL
2.187		COVER-KEY, Ignition and Locks			
53-82	Y	7839425	1	.16	COVER, KEY LK CYL(SQUARE)(BLACK)
53-82	Y	20364745	1	.16	COVER, KEY LK CYL(OVAL)(BLACK)
53-66	Y	3694624	AR	.72	KEY, BLANK (OCTAGON HEAD)
67	Y	1154810	AR	.69	KEY, SQUARE HD (BLANK) (PRIMARY) (B&S 320588A)
67	Y	7033455	AR	.38	KEY, I/P, FRT AND RR COMPT (ROUND HD)
69	Y	1154608	AR	.69	KEY, SQUARE HD, UNCODED
69	Y	1154607	AR	.69	KEY, OVAL HD, UNCODED
70	Y	1154608	AR	.69	KEY, SQUARE HD, UNCODED
70	Y	1154609	AR	.69	KEY, OVAL HD, UNCODED
71	Y	1154610	AR	.69	KEY, SQUARE HD (BLANK)
71	Y	1154611	AR	.69	KEY, OVAL HD (BLANK) (B&S 302589)
72	Y	1154604	AR	.69	KEY, SQUARE HD (BLANK) (PRIMARY)
72-76	Y	1154605	AR	.69	KEY, OVAL HD (BLANK) (SECONDARY)
73	Y	1154606	AR	.69	KEY, SQUARE HD, UNCODED
73	Y	1154607	AR	.69	KEY, OVAL HD, UNCODED
74	Y	1154608	AR	.69	KEY, SQUARE HD, UNCODED
74	Y	1154609	AR	.69	KEY, OVAL HD, UNCODED
75	Y	1154610	AR	.69	KEY, SQUARE HD (BLANK)
75	Y	1154611	AR	.69	KEY, OVAL HD (BLANK) (SECONDARY) (B&S 302589)
76	Y	1154604	AR	.69	KEY, SQUARE HD (BLANK) (PRIMARY)
77	Y	1154607	AR	.69	KEY, OVAL HD (BLANK) (SECONDARY) (B&S 320405A)
78	Y	1154608	AR	.69	KEY, SQUARE HD (BLANK) (PRIMARY) (B&S 320470A)
78	Y	1154609	AR	.69	KEY, OVAL HD (BLANK) (SECONDARY) (B&S 320471A)
79	Y	1154610	AR	.69	KEY, SQUARE HD (BLANK) (PRIMARY) (B&S 320588A)
79	Y	1154611	AR	.69	KEY, OVAL HD (BLANK) (SECONDARY) (B&S 320589A)
80	Y	1154604	AR	.69	KEY, SQUARE HD (BLANK) (PRIMARY) (B&S 320652A)
80	Y	1154605	AR	.69	KEY, OVAL HD (BLANK) (SECONDARY)

CHASSIS WIRING-LAMPS

2.187 COVER-KEY, Ignition and Locks (Con't)

81	Y	1154606	AR	69	KEY, SQUARE HD (BLANK) (PRIMARY) (B&S 320404)
81	Y	1154607	AR	69	KEY, OVAL HD (BLANK) (SECONDARY) (B&S 320405A)
82	Y	1154608	AR	69	KEY, SQUARE HD, UNCODED
82	Y	1154609	AR	69	KEY, BLANK OVAL HEAD (SECONDARY)

**2.188 CYLINDER -CYLINDER KIT -LOCK-SCREW-STUD-SWITCH ,
Ignition Switch**

NOTE: SEE GROUP 10.553 FOR CYLINDER TUMBLERS.
NOTE 1: CONSIST OF (1) ONE EACH SLEEVE, ADAPTER, CYLINDER ASM., RING AND WASHER.
NOTE 2: LESS CYLINDER AND KEYS.
NOTE 3: 1978 1ST DESIGN IDENT BY COLUMN WITH NO LOCK CYLINDER RETAINING SCREW, 1978 2ND DESIGN HAS A RETAINING SCREW.

53-64	Y	3772085	1	3.75	CYLINDER (UNCODED) (LESS KEYS)
66-67	Y	695450	1	N.L.	CYLINDER (UNCODED) (LESS TUMBLERS, SPRING AND RETAINER)
68	Y	1154183	1	8.85	CYLINDER (UNCODED)
71	Y	3990946	1	16.05	CYLINDER KIT (UNCODED) (NOTE 1)
73	Y	7047678	1	15.10	CYLINDER KIT (UNCODED) (NOTE 1)
69	Y	20071252	1	N.L.	LOCK, W/KEY (CODED) (B&S 607893)
72	Y	20071252	1	N.L.	LOCK, W/KEY (CODED) (B&S 607893) (NOTE 1)
74-78	Y (1ST DESIGN-1978)	20071252	1	N.L.	LOCK, W/KEY (CODED) (B&S 607893) (NOTE 3)
78-79	Y (2ND DESIGN-1978)	7830380	1	N.L.	LOCK, W/KEY (CODED) (B&S 607872) (NOTE 3)
79-82	Y	7830380	1	N.L.	LOCK, IGN (CODED W/KEY) (B&S 607872)
69-82	Y	7806433	AR	.73	SCREW,
79-82	Y	7829779	1	.93	STUD, DIMR AND IGN SW MT
55-57	Y (12 VOLT)	1116512	1	21.25	SWITCH (STAMPED 512) (NOTE 2)
58-59	Y	1116547	1	14.90	SWITCH (STAMPED 547) (NOTE 2)
60-62	Y	1116577	1	12.50	SWITCH (NOTE 2)
65	Y	1116680	1	15.90	SWITCH (NOTE 2)
66-67	Y	1116686	1	16.75	SWITCH
69-78	Y (EXC. T&T WHL.)	1990109	1	10.95	SWITCH, STRG COL IGN
69-82	Y W/T&T WHL.	1990110	1	11.10	SWITCH,

**2.195 ACTUATOR-ACTUATOR KIT-BRACKET-BUZZER-CLIP-
CONTROLLER-ESCUTCHEON-FLASHER-GASKET-HORN-
LEVER-PLATE-RACK-RACK KIT-RELAY-RETAINER-
ROD-SCREW-SECTOR-SECTOR KIT-SHAFT-SHIELD-
SPRING-SWITCH-SWITCH KIT-WASHER, Ignition Switch Warning,
Lock or Headlamp**

NOTE: FOR ANY RACKS NOT LISTED, USE ACTUATOR & RACK ASM.
NOTE 1: ANTI-THEFT SWITCH MOUNTED IN FENDER.
NOTE 2: ANTI-THEFT SWITCH MOUNTED IN DOOR.
NOTE 3: 2ND DESIGN IDENTIFIED BY COL WITH LOCK CYLINDER RETAINER SCREW, 1ST DESIGN HAS NO RETAINER SCREW.
NOTE 4: WITH ROUND FLANGE UNDER HEAD.
NOTE 5: W/OUT ROUND FLANGE UNDER HEAD.

77-82	Y W/T&T WHL.	7827193	1	6.10	ACTUATOR, IGN SW
39-74	Y W/T&T WHL	7819747	1	15.50	ACTUATOR KIT, W/RACK, IGN SW
73-81	Y	336121	1	.64	BRACKET, ANTI-THEFT HOOD SW
74-77	Y	6258291	1	.52	BRACKET, ANTI-THEFT ALARM SW ADJ
72-77	Y	6262663	1	6.50	BUZZER, IGN KEY LOCK
74-76	Y	6258257	1	7.30	BUZZER, ST BELT WARNING (9.765)
77-78	Y	377596	1	13.75	BUZZER, AUDIO ALARM
79	Y (EXC. HDLP WARN)	377596	1	13.75	BUZZER, AUDIO ALARM
68	Y W/ANTI-THEFT	3986825	1	.38	CLIP, HORN FLASHER (2.892)
69-78	Y (EXC. T.W., TEL. WHL.)	7804419	1	1.50	CLIP, IGN KEY WARNING BUZZER SW
69-78	Y W/T.W., TEL. WHL.	7804518	1	1.60	CLIP, IGN KEY WARNING BUZZER SW
77-80	Y	3943610	1	.38	CLIP, ANTI-THEFT HORN FLSHR (2.892)
79-82	Y W/T&T WHL.	7830376	1	1.60	CLIP, BUZZER SW RET
81-82	Y	16012660	1	180.00	CONTROLLER, THEFT DETER
70-71	Y	3897449	1	2.60	ESCUTCHEON, ANTI-THEFT ALARM SYSTEM SW (10.537)
74-82	Y	491391	1	3.15	FLASHER, ANTI-THEFT HORN (2.575)
72	Y	4587931	1	.54	GASKET, ALARM SYSTEM SW (12.247)
68-71	Y W/ANTI-THEFT	1892247	1	23.35	HORN, VIB. (HI NOTE) (2.810)
74-80	Y W/ANTI-THEFT (UA6)	1892246	1	N.L.	HORN, ALARM (C NOTE) (2.810)
74-80	Y W/ANTI-THEFT	1892247	1	23.35	HORN, HIGH F NOTE (2.810)
77-79	Y (EXC. T&T WHL)	7819515	1	2.95	LEVER, KEY REL
78-79	Y W/T.W., TEL. WHL.	7815896	1	7.85	LEVER, KEY REL
69-71	Y (EXC. T.W., TEL. WHL.)	7804761	1	2.70	PLATE, RACK GUIDE

CHASSIS WIRING-LAMPS

2.195

**ACTUATOR-ACTUATOR KIT-BRACKET-BUZZER-CLIP-
CONTROLLER-ESCUTCHEON-FLASHER-GASKET-HORN-
LEVER-PLATE-RACK-RACK KIT-RELAY-RETAINER-
ROD-SCREW-SECTOR-SECTOR KIT-SHAFT-SHIELD-
SPRING-SWITCH-SWITCH KIT-WASHER, Ignition Switch Warning,
Lock or Headlamp (Con't)**

72-78 Y	3823546	1	1.00	PLATE, ANTI-THEFT HORN MT(11.375)
77 Y W/T&T WHL.	7819320	1	2.15	PLATE, INHIBITOR RET
77 Y (EXC. T&T WHL)	7810020	1	2.70	RACK, IGN SW ACTR
77-82 Y W/T&T WHL.	7827157	1	2.70	RACK, SW ACTR
78-82 Y W/T& WHL	7844651	1		RACK KIT, IGN SW ACTR
68-71 Y	1115889	1	12.95	RELAY, W/BUZZER (2.815)
68-71 Y W/ANTI-THEFT	1115878	1	10.20	RELAY, ANTI-THEFT HORN (3 TERMINAL) (2.815)
74-77 Y W/ANTI-THEFT	1115878	1	10.20	RELAY, ANTI-THEFT HORN (3 TERMINAL) (2.815)
77-80 Y W/ANTI-THEFT	356284	1	17.05	RELAY, ANTI-THEFT HORN (4 TERMINAL)
81-82 Y	1616422	1	4.95	RELAY, THEFT DETER
69-76 Y W/T.W., TEL. WHL.	7804911	1	1.20	RETAINER, IGN SW ACTR SECTOR
70-72 Y	9728247	1	1.20	RETAINER, ANTI-THEFT ALARM SYSTEM SW
72 Y	9728247	1	1.20	RETAINER, ANTI-THEFT LK UNIT (10.551)
69-76 Y (EXC. T.W., TEL. WHL.)	7806118	1	8.80	ROD, W/RACK, IGN SW ACTR
69-71 Y (EXC. T.W., TEL. WHL.)	7807282	1	12.30	ROD, W/RACK, IGN SW ACTR
77 Y (EXC. T.W., TEL. WHL.)	7827138	1	5.25	ROD, IGN SW ACTR
79-82 Y W/T&T WHL.	7830378	1	2.10	SCREW, CYL LOCK RET
69-78 Y (EXC. T.W., TEL. WHL.)	7812526	1	2.85	SECTOR, IGN SW ACTR (NOTE 3)
69-76 Y W/T.W., TEL. W.	7805158	1	3.90	SECTOR, IGN SW ACTR
77-82 Y W/T&T WHL	7827158	1	2.85	SECTOR, IGN SW ACTR
79 Y (EXC. T&T WHL.)	7836245	1	4.05	SECTOR KIT, IGN SW ACTR (NOTE 3)
72-82 Y W/T.W., TEL. WHL.	7809368	1	7.00	SHAFT, IGN SW SEL DR (NOTE 4)
77-82 Y W/T&T WHL	7837466	1	7.00	SHAFT, STRG COL IGN SW SEL DRIVE (NOTE 5)
74-77 Y	342230	1	10.70	SHIELD, ANTI-THEFT LK SW
69-78 Y (EXC. T.W., TEL. WHL.)	7804410	1	1.30	SPRING, IGN SW RACK PRELOAD
69-82 Y W/T&T WHL	7804908	1	1.25	SPRING, IGN SW RACK PRELOAD
69-78 Y (EXC. T.W., TEL. WHL.)	7804414	1	5.50	SWITCH, IGN KEY WARNING BUZZER
69-76 Y W/T.W., TEL. WHL.	7811093	1	4.85	SWITCH, STRG COL IGN KEY WRG BUZZER
70-77 Y W/ANTI-THEFT (1ST DESIGN-1977)	374169	1	12.55	SWITCH, THEFT ALARM LOCK (NOTE 1)
74-76 Y	3951239	1	4.55	SWITCH, ANTI-THEFT ALARM PROTECTOR (2.755)
75-80 Y	6258295	1	1.70	SWITCH, DR AJAR WARNING LP (11.950)
75-82 Y	6258295	1	1.70	SWITCH, ANTI-THEFT HOOD (11.950)
77 Y W/ANTI-THEFT (2ND DESIGN)	14009687	1	15.65	SWITCH, W/WIRE, ANTI-THEFT (NOTE 2)
77-82 Y W/T&T WHL	7811092	1	4.15	SWITCH, IGN KEY WARNING BUZZER
78-80 Y	14009687	1	15.65	SWITCH, W/WIRE, DR ANTI-THEFT
81-82 Y	14038094	1	15.65	SWITCH, W/WIRE, DR ANTI-THEFT (B&S 592399)
81-82 Y	14048377	1	15.65	SWITCH, W/WIRE, SI DR ANTI-THEFT
81-82 Y (EXC ELEC DR LK)	14032011	LH	22.65	SWITCH, THEFT DETERRENT DR LK
81-82 Y (EXC ELEC DR LK)	14032012	RH	22.65	SWITCH, THEFT DETERRENT DR LK
82 Y (07)	14057520	1	21.70	SWITCH, THEFT DETERRENT HATCH
68-69 Y W/ANTI-THEFT	3937671	1	8.70	SWITCH KIT, THEFT ALARM LOCK
77-78 Y (EXC. TILT WHL.)	7811188	1	1.20	WASHER, KEY REL

2.198 FERRULE-NUT, Ignition Lock

58-62 Y	3747647	1	2.25	FERRULE, CHROME (1 I.D. X 1 5/8 O.D.)
60-65 Y	3902185	1	1.10	NUT, IGN AND START SW

2.239 WIRE KIT , Spark or Glow Plug

NOTE 1: KIT INCLUDES 8 SPARK FLUG WIRES AND 1 COIL HIGH TENSION WIRE WITH NIPPES AND CLIPS.

NOTE 2: KIT INCLUDES 8 SPARK PLUG WIRES AND 1 COIL WIRE.

63-70 Y (283, 327, 350) (EXC. F.I.)	8912437	1	N.L.	WIRE KIT (GLASS INTERBRAID) (90 DEG PLUG BOOT, STRAIGHT DIST. NIPPLE) (NOTE 1)
63-65 Y W/F.I.	2987482	1	35.00	WIRE KIT (GLASS INTERBRAID) (NOTE 1)
65-69 Y (396, 427) (EXC. RADIO)	8909665	1	N.L.	WIRE KIT (NOTE 2)
65-67 Y (396, 427) W/SP. H/PER., RADIO	8912284	1	71.75	WIRE KIT (GLASS INTERBRAID) (NOTE 1)
67-68 Y (427) W/RADIO (EXC. H.D.)	8912284	1	71.75	WIRE KIT (GLASS INTERBRAID) (NOTE 1)
67-74 Y (427, 454) W/H.D.	8909665	1	N.L.	WIRE KIT (NOTE 2)
70-71 Y (454) W/H/PER., SP. H/PER.	8912284	1	71.75	WIRE KIT (GLASS INTERBRAID) (NOTE 1)

CHASSIS WIRING-LAMPS

2.239 WIRE KIT , Spark or Glow Plug (Con't)

71.74	Y (350)	8912437	1	N.L.	WIRE KIT (GLASS INTERBRAID) (90 DEG. PLUG BOOT, STRAIGHT DIST. NIPPLE) (NOTE 1)
-------	---------	---------	---	------	---

2.240 WIRE , Spark Plug

NOTE: REFER TO THE END OF 2.000 GROUP FOR 1982-1983 SERVICE SPARK PLUG WIRE CHART.
 NOTE 1: UNIVERSAL LENGTH UNIT FOR ALL APPLICATIONS 36 INCHES AND SHORTER.
 NOTE 2: UNIVERSAL LENGTH UNIT 37 TO 53 INCHES AS REQUIRED.

53.71	Y	2979302	AR	N.L.	WIRE (36 1/4 IN) (GLASS INTERBRAID) (NOTE 1)
55.62	Y	2979303	AR	5.85	WIRE (54 1/2 IN) (GLASS INTERBRAID) (NOTE 2)
56.70	Y	6293970	AR	4.00	WIRE, IGN COIL TO DIST
63.70	Y (8 CYL.) (EXC. 396, 427, 454)	2979303	AR	5.85	WIRE (54 1/2 IN) (GLASS INTERBRAID) (NOTE 2)
65.67	Y (396, 427) W/SP. H/PER. (EXC. AM/FM RADIO)	2989400	AR	6.40	WIRE, NO. 1-2-3-4 (34 IN) (GLASS INTERBRAID) (135 DEGREE BOOT)
65.67	Y (396, 427) (EXC. AM/FM RADIO)	2989404	AR	6.10	WIRE, NO. 5-6-7-8
65.69	Y (396, 427) W/AM/FM RADIO (EXC. H.D.)	8912482	AR	12.95	WIRE, NO. 5-6-7-8 (25 IN) (GLASS INTERBRAID) (135 DEGREE BOOT) (SHIELDED)
68.69	Y (396, 427)	2989400	AR	6.40	WIRE, NO. 1-2-3-4 (34 IN) (GLASS INTERBRAID) (135 DEGREE BOOT)
68.69	Y (396, 427)	2989404	AR	6.10	WIRE, NO 5-6-7-8
70.71	Y (454) W/SP. H/PER. (EXC. FM RADIO)	2989400	AR	6.40	WIRE, NO. 1-2-3-4 (34 IN) (GLASS INTERBRAID) (135 DEGREE BOOT)
70.71	Y (454) W/SP. H/PER. (EXC. FM RADIO)	2989404	AR	6.10	WIRE, NO. 5-6-7-8 (28 IN) (GLASS INTERBRAID) (135 DEGREE BOOT)
70.71	Y (454) W/H/PER. (EXC. AM/FM RADIO)	8903191	AR	6.85	WIRE (32 IN) (GLASS INTERBRAID)
70.71	Y (454) W/H/PER., AM/FM RADIO (EXC. H.D.)	8912482	AR	12.95	WIRE, NO 5-6-7-8 (25 IN) (GLASS INTERBRAID)
70.71	Y (454) W/SP H/PER. AM/FM RADIO	8912482	AR	12.95	WIRE, NO 5-6-7-8 (25 IN) (GLASS INTERBRAID)
71.74	Y	2985954	AR	1.50	WIRE, COIL TO DIST/HIGH TEN
71.74	Y (350)	6293982	AR	N.L.	WIRE (50 IN) (GLASS INTERBRAID)
72.74	Y (454)	8908299	AR	21.15	WIRE, NO 1-2-4 (35 IN)
73.74	Y (454)	8908133	AR	19.35	WIRE, NO 3-5-6-7-8 (29 IN)
75.76	Y	8914090	AR	11.05	WIRE, NO 2-3
75	Y	8914094	AR	8.90	WIRE, NO 1
75.81	Y	12002104	2	6.85	WIRE, NO 5-6 (28 IN)
75.77	Y	12036908	AR	N.L.	WIRE, NO 7
75.77	Y (350)	12002176	1	3.35	WIRE, NO 1 (46 IN)
75.77	Y (350)	12036910	1	N.L.	WIRE, NO 8 (26 IN)
75.77	Y (350)	12036915	AR	1.62	WIRE, NO 4 (42 IN)
77	Y	12002111	AR	7.95	WIRE, NO 2-3 (54 IN)
78.81	Y	12036908	2	N.L.	WIRE, NO 7-8 (22 IN)
78.81	Y	12036914	1	N.L.	WIRE, NO 4 (40 IN)
78.81	Y	12036915	1	11.62	WIRE, NO 1 (42 IN)
78.81	Y	12036917	2	9.88	WIRE, NO 2-3 (50 IN)

2.251 BRACKET-CLIP -GROMMET-RETAINER-SHIELD-SUPPORT, Spark Plug Wire

NOTE: FOR RADIO STATIC SUPPRESSION PARTS SEE GROUP 9.663.
 NOTE 1: NOT USED ON 1957 CORVETTE WITH RADIO EQUIPMENT.

78.79	Y (EXC. SP. H/PER.)	330521	LH	.40	BRACKET, SPLG SHLD RR
80	Y (305)	330521	2	.40	BRACKET, SPLG SHLD RR
58.71	Y (283, 327, 350)	3744409	2	.54	CLIP (9/32 WIDE 19/64 HOLE) SPLG. WIRE TO OIL PAN
65.82	Y	3744409	2	.54	CLIP (9/32 WIDE 19/64 HOLE) SPLG. WIRE TO OIL PAN-LH
75.76	Y	372539	1	.38	CLIP, SPLG WIRE
56.57	Y	3707952	8	.36	GROMMET, SI, CONT SPEED AND CRUISE (9/32 HOLE 1/2 O.D.)
56.67	Y (EXC. 396, 427)	3719963	AR	.36	GROMMET, RR UPR AND LWR (FOUR 9/32 HOLES)
65.69	Y (350, 396, 427)	3869716	AR	.54	GROMMET, SIDE

CHASSIS WIRING-LAMPS

2.251 BRACKET-CLIP -GROMMET-RETAINER-SHIELD-SUPPORT, Spark Plug Wire (Con't)

68-70 Y (EXC. 427)	3719963 AR	36	GROMMET, RR UPR AND LWR (FOUR 9/32 HOLES)
70-74 Y	3869718 AR	54	GROMMET, SIDE
70-74 Y (EXC. 454)	3719963 AR	36	GROMMET, RR UPR AND LWR (FOUR 9/32 HOLES)
75-77 Y	351892 2	65	GROMMET
75-82 Y	351894 2	57	GROMMET (USE W/8 MM WIRE)
64-68 Y	2965950 AR	57	RETAINER
65 Y (396)	372540 AR	38	RETAINER, RR SI
66-71 Y (427, 454) W/SP. H/PER.	372540 AR	38	RETAINER, RR SI
72-74 Y (454)	372540 AR	39	RETAINER, RR SI
73-74 Y (350) (EXC. CALIF.)	2965950 AR	57	RETAINER
74-82 Y	1615135 AR	30	RETAINER, SPARK PLUG WIRE (4 WIRE) (NYLON)
76-82 Y	357125 AR	38	RETAINER (SLIP ON)(4 WIRE)
77-79 Y	372540 2	38	RETAINER, 4 WIRE (BRKT MT W/LK TOP)
80-82 Y	12004716 1	3.15	RETAINER
80 Y (305)	8911952 1	2.45	RETAINER
82 Y	8917256 LH	2.20	RETAINER, SPLG 4 WIRE (BRKT MT W/LK TOP)
57-69 Y (8 CYL.) (EXC. 396, 427) (EXC CANADIAN)	3817657 AR	2.55	SHIELD, LH RR AND RH FRT
57-68 Y (8 CYL.) (EXC. 396, 427)	3917664 RH	1.95	SHIELD, RR (NOTE 1)
68-71 Y (8 CYL.) (EXC. 396, 427, 454, AM/FM RADIO)	3919807 LH	1.80	SHIELD, FRT.
69-79 Y (EXC. 454)	3917864 RH	1.95	SHIELD, RR
70-76 Y (EXC. 454) (EXC CANADIAN)	3817657 AR	2.55	SHIELD, LH RR AND RH FRT
72-75 Y (350)	3919807 LH	1.80	SHIELD, FRT
73-74 Y (454)	465840 8	.78	SHIELD, HT
77-78 Y (EXC CANADIAN)	3917657 RH	2.55	SHIELD, FRT
77-78 Y (W/CANADIAN)	460723 RH		SHIELD,
77-79 Y (305, 350) W/CANADIAN	458628 AR	1.25	SHIELD, SPLG
79-82 Y	3817657 RH	2.55	SHIELD, SPLG FRT
80-82 Y	14017767 LH	12.50	SHIELD, RDO IGN & SPLG RR
80-82 Y	14047066 1	12.50	SHIELD, RDO IGN & SPLG RR HT
81-82 Y	14045835 1	2.10	SHIELD, RDO IGN SI INR
56-67 Y (EXC. 396, 427)	3728953 LH	3.15	SUPPORT, IGN WIRE, LWR
58-74 Y (283, 327, 350)	3744408 2	.52	SUPPORT, SI
65-74 Y (EXC. 396, 427, 454)	3864498 RH	1.05	SUPPORT, LWR
66 Y (427) (EXC. SP. H/PER.)	3728953 LH	3.15	SUPPORT, IGN WIRE, LWR
68-71 Y (396, 427, 454)	3928902 RH	.73	SUPPORT, FRT
70-82 Y (EXC. 454)	3923971 LH	1.70	SUPPORT, IGN LWR SHLD LWR
75-82 Y	351893 RH	1.10	SUPPORT, RR LWR
75-82 Y	354332 2	1.60	SUPPORT, SI
75-77 Y	354418 RH	2.75	SUPPORT, RDO IGN SHLD
75-79 Y (350)	354416 AR	.80	SUPPORT, SPLG WIRE
76 Y W/A.T.	369334 LH	2.80	SUPPORT, RDO IGN SHLD
78-80 Y (305, 350)	468244 1	1.20	SUPPORT, SPLG WIRE RR UPR (3.454)

2.258 NIPPLE, Spark Plug Wire

53-69 Y	5289527 AR	14	NIPPLE, DISTR (PLASTIC 1 3/16 LONG)
---------	------------	----	-------------------------------------

2.270 KIT-PLUG, Engine Tune-up

NOTE: WHEN INDIVIDUAL DRIVING CONDITIONS WARRANT, DIFFERENT HEAT RANGE PLUGS MAY BE USED BY SELECTING HIGHER TYPE NOS. FOR HOTTER AND LOWER TYPE NOS. FOR COLDER PLUGS AS NECESSARY.

NOTE 1: MAY BE USED ON PREVIOUS MODELS USING 14MM PLUGS NOT EQUIPPED WITH BOOTS.

NOTE 2: KIT CONSISTS OF 8 AC-R45TS SPARK PLUGS AND GF471 FUEL FILTER.

76-80 Y (305, 350)	1155145 1	N.L.	KIT, ENG TUNE UP (NOTE 2)
53-55 Y	5569992 AR	2.98	PLUG, RADIO SUPPRESSION (AC-R43) (14 MM)
56 Y	1559492 AR	2.53	PLUG, H.D. OPERATION (COLD)
56-59 Y	1559493 AR	2.53	PLUG, HOT PLUG, CONTINUOUS CITY OPER (AC-45) (14MM)
56-59 Y	5612371 AR	2.53	PLUG, HOT PLUG, CONTINUOUS CITY OPER (EXTENDED SHIELD) (AC-45S) (14 MM)
56 Y	5612386 AR	2.53	PLUG, H.D. OPERATION (COLD)
57-59 Y	1559494 AR	2.53	PLUG, CITY TYPE OPER (AC-46) (14 MM) (NOTE 1)
57-59 Y	5612002 AR	2.53	PLUG, COLD PLUG, H.D. OPERATION (AC-43) (14 MM) (NOTE 1)
57-59 Y	5612390 AR	N.L.	PLUG, CITY TYPE OPER (EXTENDED SHIELD) (AC-46S) (14 MM) (NOTE 1)

CHASSIS WIRING-LAMPS

2.270 KIT-PLUG, Engine Turn Plug		(Con't)	
58-59 Y	1559475 AR	2.53	PLUG, TOWN AND COUNTRY (AC-44) (14 MM) (NOTE 1)
58-59 Y	561240 AR		PLUG, CONTINUOUS HIGH SPEED (AC-42-1) (14 MM) (NOTE 1)
58-59 Y	5612356 AR	2.53	PLUG, TOWN AND COUNTRY (EXTENDED SHIELD) (AC-44S) (14 MM) (NOTE 1)
60 Y (283) (EXC. F.I.)	5612386 AR	2.53	PLUG, TOWN AND COUNTRY (EXTENDED SHIELD) (AC-44S) (14 MM) (NOTE 1)
60 Y W/F.I.	1559494 AR	2.53	PLUG, CITY TYPE OPER (AC-46) (14 MM) (NOTE 1)
60 Y W/F.I.	5612390 AR	N.L.	PLUG, CITY TYPE OPER (EXTENDED SHIELD) (AC-46S) (14 MM) (NOTE 1)
62-68 Y (327)	1559492 AR	2.53	PLUG, STANDARD
62-68 Y (327) (EXC. H/PER., SP. H/PER., F.I.)	5612386 AR	2.53	PLUG, TOWN AND COUNTRY (EXTENDED SHIELD) (AC-44S) (14MM) (NOTE 1)
64-68 Y (396, 427)	5612241 AR	2.53	PLUG, HOT PLUG, CITY TYPE DRIVING (AC-43N) (14 MM)
66-69 Y (427)	5613312 8	2.17	PLUG, NORMAL SERVICE (W/ALUMINUM CYL. HEAD ONLY) (AC-R43XL)
69-70 Y (350) (EXC. SP. H/PER.)	5569993 AR	2.98	PLUG (AC-R-44)
69-70 Y (350) W/SP. H/PER.	5569992 AR	2.98	PLUG, RADIO SUPPRESSION (AC-R43) (14 MM)
69 Y (396, 427) W/H/PER., SP. H/PER.	5612425 8	2.98	PLUG, HOT PLUG (AC-R43N)
70 Y (454) (EXC. H.D.)	5613354 8	N.L.	PLUG (AC-R43T)
71 Y (350) (EXC. SP. H/PER.)	5613355 8	2.98	PLUG (AC-R44T)
71 Y (350) W/SP. H/PER.	5613354 8	N.L.	PLUG (AC-R43T)
71 Y (454) (EXC. SP. H/PER.)	5613354 8	N.L.	PLUG (AC-R43T)
72-74 Y	5613355 8	2.98	PLUG (AC-R44T)
75 Y	5613572 8	2.98	PLUG (AC-R44TX)
76-82 Y	5613303 8	2.98	PLUG (AC-R45TS)

2.271 GASKET, Spark Plug

NOTE 1: REAM OR REMOVE INTERNAL PROJECTIONS WHEN USING ON LONG REACH PLUGS.

53-71 Y	1555475 AR	.06	GASKET (14 MM-CHROME) (LESS RETENTION DIMPLE)
72-82 Y	5612328 AR	.06	GASKET (9 I.D. X 25 O.D.) (14 MM) (CHROME) (W/RETENTION DIMPLE) (NOTE 1)

2.274 FAN-GUIDE-PULLEY, Generator

NOTE: IN SOME CASES DOUBLE GROOVE PULLEYS MAY BE USED IN PLACE OF SINGLE GROOVE PULLEYS.

53-59 Y W/5" SEPARATE FAN	1866400 1	4.64	FAN (12 BLADES)
68-79 Y W/42, 61, 63 AMP	800594 1	4.02	FAN,
74-77 Y W/A.C. (C60)	800594 1	4.02	FAN,
80-82 Y W/37 THRU 63 AMP	1978057 1	14.20	FAN,
80-82 Y W/70 AMP	1978026 1	12.85	FAN, GEN
77-81 Y	460755 1	2.85	GUIDE, GEN BELT
82 Y	14053829 1	2.85	GUIDE, GEN BELT
53-55 Y (6 VOLT)	1949356 1	7.20	PULLEY,
58-61 Y (EXC. F.I. W/H.L. CAM)	1949356 1	7.20	PULLEY,
63 Y W/A.C.	1949356 1	7.20	PULLEY,
63-64 Y W/F.I., SP. H/PER. (EXC. A.C.)	3871242 1	16.75	PULLEY
64-65 Y (327) W/A.C., SP. H/PER.	3844100 1	14.95	PULLEY,
65-67 Y (327) SP. H/PER. W/H.L., P.S. (EXC. A.C.)	3829387 1	13.75	PULLEY
Y (327) W/F.I., SP. H/PER. (EXC. A.C., P.S.)	3871242 1	16.75	PULLEY
65-66 Y (396) W/SP. H/PER.	3829387 1	13.75	PULLEY
66 Y (327) W/SP. H/PER. (EXC. A.C., P.S.)	3871242 1	16.75	PULLEY
66-68 Y (427) (EXC. P.S.)	3829387 1	13.75	PULLEY
66-68 Y (427) A.C., W/P.S.	3883978 1	12.45	PULLEY
66 Y (427) SP. H/PER. W/P.S.	3871242 1	16.75	PULLEY
66-68 Y W/P.S. (427) (EXC. A.C., SP. H/PER.)	3871242 1	16.75	PULLEY
66-68 Y (427) W/A.C., H/PER. (EXC. P.S.)	3844100 1	14.95	PULLEY,
68 Y W/61 AMP. (EXC. P.S.)	1949356 1	7.20	PULLEY,
69-70 Y (350) (EXC. H/PER., SP. H/PER., A.C.)	1949356 1	7.20	PULLEY,
69-71 Y (350) W/A.C.	1949356 1	7.20	PULLEY,

CHASSIS WIRING-LAMPS

2.274 FAN-GUIDE-PULLEY, Generator (Con't)

69-72	Y (350) W/H/PER., SP. H/PER. (EXC. A.C., T. IGN.)	1970831	1	15.60	PULLEY
69	Y (427) W/H.D.	3829387	1	13.75	PULLEY
69-71	Y (427, 454) P.S. W/SP. H/PER.	3871242	1	16.75	PULLEY
69-72	Y (427, 454) P.S. W/H/PER.	3883978	1	12.45	PULLEY
69	Y (427, 4BC) W/SP. H/PER. (EXC. P.S.)	3844100	1	14.95	PULLEY
70-72	Y (454) (EXC. SP. H/PER., P.S.)	3844100	1	14.95	PULLEY
71	Y (454) W/SP. H/PER. (EXC. P.S.)	3829387	1	13.75	PULLEY
73-74	Y (454) W/P.S. (EXC. A.C.)	1867560	1	20.35	PULLEY
73-74	Y (454) W/A.C., P.S.	3883978	1	12.45	PULLEY
73-74	Y (350) (EXC. A.C.)	3844100	1	14.95	PULLEY
73	Y (454) (EXC. A.C., P.S.)	3844100	1	14.95	PULLEY
73-74	Y (454) W/A.C. (EXC. P.S.)	3844100	1	14.95	PULLEY
75-77	Y (EXC. A.C.)	1970831	1	15.60	PULLEY
78-79	Y W/42 AMP	3844100	1	14.95	PULLEY
79	Y W/70 AMP	14015512	1	5.25	PULLEY
80-82	Y W/70 AMP	1979359	1	13.15	PULLEY
82	Y (EXC. 70 AMP)	1978065	1	8.80	PULLEY

2.275 GENERATOR, Engine Electrical

NOTE: MOUNTINGS ON REBUILT GENERATORS ARE THE SAME AS THOSE USED ON NEW GENERATORS. REFER TO TYPE NUMBERS FOR SIMILARITY.
 NOTE: FOR GENERATORS ACCEPTABLE FOR EXCHANGE CREDIT SEE EXCHANGE SECTION OF THE DEALER PRICE SCHEDULE.
 NOTE 1: LIST PRICE SHOWN DOES NOT INCLUDE EXCHANGE CHARGE. REFER TO DEALER PARTS PRICE SCHEDULE FOR EXCHANGE PRICE.
 NOTE 2: REPLACES 37 AMP. GENERATOR 1933776.
 NOTE 3: LESS PULLEY AND FAN.

62-68	Y W/42 AMP	1100842	1	150.50	GENERATOR (NEW) (NOTE 1,,3)
62-68	Y W/52 AMP, A.C.	1963778	1	60.70	GENERATOR (REMANUFACTURED) (NOTE 1)
63-78	Y W/42 AMP (EXC. A.C.)	1846935	1	66.05	GENERATOR (REMANUFACTURED) (NOTE 1,, 2)
69-81	Y W/37, 42 AMP	1105360	1	205.70	GENERATOR (NEW) (NOTE 1)
69-78	Y W/37, 42 AMP (EXC. A.C., H/PER.)	1979858	1	N.L.	GENERATOR (REMANUFACTURED) (NOTE 1)
69-80	Y W/55, 63 AMP	1105360	1	205.70	GENERATOR (NEW) (NOTE 1)
69-79	Y W/61 AMP, A.C.	1979865	1	N.L.	GENERATOR (REMANUFACTURED) (NOTE 1)
73-78	Y W/55 AMP	1976063	1	91.56	GENERATOR (REMANUFACTURED)
75-77	Y W/80 AMP	1101061	1	377.60	GENERATOR (NEW)
75-78	Y W/80 AMP	1979868	1	N.L.	GENERATOR (REMANUFACTURED)
78-81	Y W/42 AMP	1979858	1	N.L.	GENERATOR (REMANUFACTURED)
79-80	Y W/70 AMP	1101040	1	256.70	GENERATOR (NEW) (NOTE 1)
79-82	Y W/70 AMP	1984272	1	195.30	GENERATOR (REMANUFACTURED)
80-82	Y W/63 AMP	1979865	1	N.L.	GENERATOR (REMANUFACTURED)
80-82	Y W/70 AMP	1101070	1	289.95	GENERATOR (NEW) (NOTE 1)
81	Y W/55, 63 AMP	1105360	1	205.70	GENERATOR (NEW)

2.277 BOLT-BRACKET-SCREW-SPACER-SUPPORT-WASHER, Generator Mounting

72	Y (454)	9430724	1	1.00	BOLT, GEN. TO BRACKET (3/8-16 X 3 3/4) (6.606)
63-65	Y (EXC. A.C., 396)	3860461	1	11.00	BRACKET
63	Y W/A.C.	3825461	1	10.70	BRACKET
66-74	Y (427, 454) W/P.S.	3878236	1	12.45	BRACKET
66-74	Y (427, 454) (EXC. P.S.)	3882810	1	24.95	BRACKET
74	Y (350) (1ST DESIGN)	14015539	1	12.05	BRACKET (MALLEABLE IRON)
74	Y (350) (2ND DESIGN)	14015510	1	12.30	BRACKET (ALUMINUM)
75-82	Y (1ST DESIGN)	14015539	1	12.05	BRACKET (MALLEABLE IRON)
75-82	Y (2ND DESIGN)	14015510	1	12.30	BRACKET (ALUMINUM)
75-82	Y	10008893	AR	.36	SCREW, SPL WA HEX HD (M8X1.25-6G THD)
80-82	Y	10008894	AR	.59	SCREW, W/SPL WA HEX HD (M10 X 1.5-6G)
63-65	Y (EXC. A.C.)	3825451	1	.44	SPACER, BRKT
63	Y W/A.C.	3825451	1	.44	SPACER, BRKT
65-67	Y (327) W/SP. H/PER., P.S. (EXC. A.C.)	3825451	1	.44	SPACER, BRKT
65-67	Y (396, 427) (EXC. P.S.)	3825451	1	.44	SPACER, BRKT
66	Y (EXC. 427)	3825451	1	.44	SPACER, BRKT

MICROFICHE INDEX
GROUPS 0.000 THRU 2.000 & 21.000
FICHE 1 OF 6

GROUP DESCRIPTION	STARTING GRID LOCATION	
	PARTS	ILLUSTRATIONS
- INTRODUCTION	A-6	J-2
- GENERAL INFORMATION	A-2	J-2
- ALPHABETICAL INDEX	C-11	N.A.
- INDEX FOR ADDITIONAL INFORMATION	A 5	N.A.
0.000 ENGINE - CLUTCH	D-12	J-6
1.000 COOLING - GRILLE - OIL SYSTEM	E-11	K-15
2.000 CHASSIS WIRING - LAMPS	G-13	L-7
21.000 ACCESSORY REFERENCE LIST	D-9	N.A.
- OUT OF FICHE CALLS	N.A.	N-2

H-1

CHASSIS WIRING-LAMPS

2.277		BOLT-BRACKET-SCREW-SPACER-SUPPORT-WASHER		Generator Mounting (Con't)	
66	Y (327) W/SP. H/PER. (EXC. A.C., P.S.)	3825451	1	.44	SPACER, BRKT
68-69	Y (427) (EXC. P.S.)	3825451	1	.44	SPACER, BRKT
70-72	Y (454)	3825451	1	.44	SPACER, BRKT
73-79	Y	3825451	1	.44	SPACER, BRKT
74-79	Y	6271064	AR	4.05	SPACER (.42 I.D. X .69 O.D. X .256 LONG)
76-78	Y	3977982	1	1.15	SPACER, GENERATOR (7/16 I.D. X 11/16 O.D. X 7/8 LONG)
65	Y (327) W/A.C.	3848565	1	2.70	SUPPORT, GEN MT (ON EXH MANIF)
66-68	Y (327)	3848565	1	2.70	SUPPORT, GEN MT (ON EXH MANIF)
66-74	Y (427, 454) W/P.S. (EXC. H.D.)	3878240	1	2.35	SUPPORT, BRKT LWR
59-71	Y (350)	3846585	1	2.70	SUPPORT, GEN MT (ON EXH MANIF)
70-74	Y (454) W/P.S.	3986109	1	2.45	SUPPORT, BRKT UPR
53-62	Y	3682643	2	.28	WASHER (5/16)
58-81	Y	537209	AR	.28	WASHER (11/32 X 3/4 X 29/32)
2.279		ROTOR, Generator			
62-68	Y	1958565	1	40.25	ROTOR, W/SHAFT
69-78	Y W/42, 61 AMP	1876163	1	N.L.	ROTOR, W/SHAFT
79	Y W/42, 63 AMP	1876163	1	N.L.	ROTOR, W/SHAFT
80-81	Y W/37 THRU 63 AMP	1876163	1	N.L.	ROTOR, W/SHAFT
80-82	Y W/70, 85 AMP	1975333	1	N.L.	ROTOR, W/SHAFT
82	Y W/63 AMP	1976163	1	N.L.	ROTOR, W/SHAFT
2.280		NUT-WASHER, Generator Rotor Shaft			
53-72	Y	3947122	1	1.20	NUT (5/8 X 20 X 1 3/8)
53-82	Y W/97 AMP	1915172	1	.93	NUT, D.E. 5/8-20 THD. 1/4)
55-82	Y	1941978	1	.39	WASHER, SPRING (DRIVE END) (WAVE)
2.285		BRUSH, Generator			
55-62	Y	1932506	2	1.83	BRUSH, W/LEAD (STAMPED 956) (12 VOLT)
2.286		SPRING, Generator Brush			
78-81	Y (EXC. 70, 85 AMP)	1977357	2	.14	SPRING,
80-82	Y W/70, 85 AMP	1975325	2	.20	SPRING,
82	Y W/63 AMP	1977357	2	.14	SPRING,
2.291		BRUSH-HOLDER KIT-SCREW-WASHER, Generator Brush			
80-82	Y W/70, 85 AMP	1975323	1	N.L.	BRUSH, W/HOLDER, GEN(W/1101066)
62-68	Y	1964682	1	19.60	HOLDER KIT, W/BRUSH
69-82	Y (EXC. 70, 85 AMP)	1984462	1	N.L.	HOLDER KIT, W/BRUSH
69-82	Y	1876681	2	.29	SCREW, BRUSH HOLDER (INSUL) (W/1100543-44-54-0825-33-35-59-81-82-84-0900-01-50)
69-81	Y	1876682	1	.24	SCREW, BRUSH HLD R ATCH (GRD)
78-82	Y	1975737	1	.20	SCREW, BRUSH HOLDER ATCH (GRD)
82	Y W/63 AMP	1876682	1	.24	SCREW, BRUSH HLD R ATCH (GRD)
69-70	Y	1970149	2	.36	WASHER, BRUSH HOLDER ATCH (INSUL)
2.297		FRAME, Generator Slip Ring			
62-69	Y	1852934	1	43.50	FRAME, SLIP RING END W/1100615-0618-0620-0623-0629-0633-0665-0668-0669-0670-0693-0694-0695-0696-0697-750-0834-36-37-38-39-41-42-43-45-46-47
69	Y	1852101	1	23.80	FRAME, SLIP RING END (W/1100825-33-59-82)
70-71	Y	1852101	1	23.80	FRAME, SLIP RING END
72-82	Y W/37 THRU 63 AMP	1984460	1	43.25	FRAME, SLIP RING END
80-82	Y W/70, 85 AMP	1975310	1	30.85	FRAME, SLIP RING END
2.298		BEARING-SEAL, Generator Slip Ring End Frame			
55-68	Y	905429	1	N.L.	BEARING, ROTOR SHAFT END (W/1102020-2025-2041-2043-2059-2084-2115-5947-6982-2173-2174-2268-5116-5123-5124-0693-94-95-96-97-9F0-1117754-65-82) (12 VOLT)
76-80	Y (EXC 70, 85 AMP)	9436831	1	N.L.	BEARING, RLR SLIP RING END
80-82	Y W/70, 85 AMP	1975322	1	4.95	BEARING, RLR SLIP RING END
82	Y W/63 AMP	9436831	1	N.L.	BEARING, RLR SLIP RING END
69-75	Y	1961323	1	1.95	SEAL, SLIP RING END BRG

CHASSIS WIRING-LAMPS

2.301 WICK , Generator Oil					
53-55	Y (6 VOLT)	1947350	1	.63	WICK (FELT 7/32 DIA. X 3 1/2 LONG) (2364)
2.305 FRAME, Generator Drive End					
62-82	Y W/37 THRU 63 AMP	1974937	1	17.60	FRAME, GEN D.E
80-82	Y W/70, 85 AMP	1975331	1	21.70	FRAME, GEN D.E.
2.306 BEARING , Generator Drive End					
53-68	Y	905429	1	N.L.	BEARING (EXC. W/1006976-6981-6982- 6985-1117765) (2.298)
69-82	Y W/32 THRU 85 AMP	907998	1	N.L.	BEARING.
79	Y W/70, 80, 85 AMP	1893306	1	6.00	BEARING.
2.307 COLLAR-GASKET-PLATE-SCREW-SLINGER-WASHER, Generator Drive End					
62-82	Y W/70 AMP	1959991	1	F	COLLAR, BRG SPACER (OUTSIDE) (7/8 OD) (W/1100543-4454-600-601-613- 615-618-620-628-629-633-665-668-669- 693-694-695-696-697-742-750-0825- 26-33-834-836-837-838 THR RU 849- 859-881-882-884-900-901-950)
64-77	Y	1963139	1	1.54	COLLAR, BRG SPACER (INSIDE) (W/1100543-44-54-0665-668-669-670- 693-694-695-696-697-742-750-0825-26- 33-0834-0849-0859-81-82-84-0900-01- 5J)
80	Y (EXC. 70 AMP)	1978064	1	1.16	COLLAR, BRG SPACER
80-81	Y W/70, 85 AMP	1975350	1	.73	COLLAR, BRG SPACER (INSIDE) (W/1101066)
82	Y W/70 AMP	1975350	1	.73	COLLAR, SHF DR END(I.S.)
82	Y W/70 AMP	1978064	1	1.16	COLLAR, BRG SPACER
82	Y W/70 AMP	1978940	1	1.07	COLLAR, GEN(1.00 O.D.)
53-69	Y	1912008	1	.24	GASKET, BRG RET PLT, INR
62-82	Y	1971993	1	2.16	PLATE, BRG RET D.E.
53-64	Y	1914580	3	.17	SCREW, BRG RET PLT (NO. 10-32 X 7/16)
62-82	Y	1965104	3	.17	SCREW, BRG RET PLT (W/1100543-44- 54-0665-668-669-670-693-694-695-696- 697-742-750-94-95-96-0818-0825-33- 0849-0859-81-82-84-0900-01-50)
69-70	Y	1851612	1	.20	SCREW, CAPAC LEAD ATCH (2.319)
62-68	Y	1947344	1	.16	SLINGER, BALL BRG GREASE (W/1100628-33-65-68-93-94-96-97-750)
53-69	Y	809945	1	.23	WASHER, METAL, SPACER (11/16 I.D. X 15/16 O.D.X 3/32 THK.)
53-69	Y	809961	1	.11	WASHER, FELT, OUTSIDE (29/32 I.D. X 15/16 O.D.) (W/1117765)
69-77	Y	800832	1	.16	WASHER, BALL BRG GREASE
78-81	Y (EXC. 70, 85 AMP)	800832	1	.16	WASHER, BALL BRG GREASE
2.310 STATOR , Generator Field					
62-68	Y	1959381	1	29.60	STATOR(W/1100615-620-628-629-668- 669-670-693-695-696-0834 THRU 0842)
66-68	Y	1962025	1	29.60	STATOR(W/1100742-750-796-0843-45- 46-47-48)
69-77	Y W/42 AMP.	1971986	1	29.25	STATOR(W/1100543-0833-59-0900-01- 50-2353-2484-2848)
69-82	Y W/55, 61, 63 AMP.	1971639	1	N.L.	STATOR(W/1100544-54-0825-82 94- 2474-2849)
78-81	Y W/37, 42 AMP	1971986	1	29.25	STATOR(W/110543-0833-59-0900-01- 50-2353-2484-2848)
79-81	Y W/70 AMP	1975303	1	44.15	STATOR (W/1101067-1101044)
2.313 BOLT-CLIP-COVER-INSULATOR-TERMINAL KIT-WASHER, Generator					
69-79	Y	3952222	1	1.35	BOLT, GEN AND FWD LP WRG HARN (TO GEN)
80-81	Y (EXC. 70 AMP)	14020036	1	.30	BOLT, GEN AND FWD LP WRG HARN (TO GEN)
82	Y W/63 AMP	14020036	1	.30	BOLT, GEN AND FWD LP WRG HARN (TO GEN)
78-79	Y	1846548	1	.25	CLIP, TERM STATOR LEAD
66-79	Y	497628	1	1.15	COVER, GEN BAT TERM
64-68	Y	1959389	1	.55	INSULATOR, CNDSR TERM SCR (W/1100668-670-693-694-695-696-697- 742-750-0834 THRU 0849)

CHASSIS WIRING-LAMPS

2.313 BOLT-CLIP-COVER-INSULATOR-TERMINAL KIT-WASHER, Generator (Con't)

62-68 Y	1959832	1	1.04	TERMINAL KIT, BATTERY (W/1100615-618-620-628-629-633-665-668-669-670-693-694-695-696-697-742-750-0834 THRU 0849)
62-68 Y	1959833	1	1.32	TERMINAL KIT, GROUND (W/1100615-618-620-628-629-633-665-668-669-670-693-694-695-696-697-742-750-0834 THRU 0849)
62-69 Y	1959834	3	.55	TERMINAL KIT, GEN JUNC
69-70 Y	1971704	1	2.60	TERMINAL KIT, BATTERY
71-76 Y (350) (EXC. A.C.)	1971704	1	2.60	TERMINAL KIT, BATTERY
71-76 Y (350) W/A.C.	1975471	1	3.04	TERMINAL KIT, BATTERY
71-74 Y (454)	1975471	1	3.04	TERMINAL KIT, BATTERY
77-79 Y	1975471	1	3.04	TERMINAL KIT, BATTERY
78-81 Y (EXC 80 AMP)	1975471	1	3.04	TERMINAL KIT, BATTERY
C2 Y	1975471	1	3.04	TERMINAL KIT, BATTERY
64-69 Y	1959523	1	.25	WASHER, CNDSR TERM INSL SCR (W/1100668-670-693-694-695-696-697-742-750-0834 THRU 0849)

2.317 BRACE -SPACER, Generator

NOTE: ORIGINAL EQUIPMENT BRACES MAY BE REPLACED BY SERVICE BRACES WHICH WILL REQUIRE DRILLING OF ATTACHING HOLE AND FORMING.

63-55 Y (6 VOLT) W/SP. EQUIP.	3914929	1	10.55	BRACE (9 13/16 LG-STRAIGHT)
66-67 Y (327) (EXC. SP. H/PER.)	3826928	1	4.45	BRACE (12 37/64 LG-CURVED)
66-67 Y (327) W/SP. H/PER. (EXC. P.S.)	460754	1	2.70	BRACE (11" LG-CURVED)
66-67 Y (327) W/SP. H/PER., P.S. W/A.C.	3826928	1	4.45	BRACE (12 37/64 LG-CURVED)
66-69 Y (427) W/P.S.	3826928	1	4.45	BRACE (12 37/64 LG-CURVED)
68-69 Y (EXC. 427)	3826928	1	4.45	BRACE (12 37/64 LG-CURVED)
68-69 Y (427) (EXC. P.S., H.D.)	3919886	1	6.85	BRACE (12 1/2 LG-CURVED)
70-74 Y (454) (EXC. P.S.)	3919886	1	6.85	BRACE (12 1/2 LG-CURVED)
75-82 Y (EXC. 70 AMP)	460754	1	2.70	BRACE (11" LG-CURVED)
79-81 Y W/70 AMP	14015511	1	2.60	BRACE, GEN ADJ
B2 Y	14015511	1	2.60	BRACE, GEN ADJ
69 Y (427)	3940943	1	1.30	SPACER, GEN. TO CYL. HD. (2 7/8" LONG)

2.319 BRIDGE-CAPACITOR -DIODE-HEAT SINK-RESISTOR-SCREW-SPRING, Generator

69-71 Y	1867531	1	32.95	BRIDGE, DIODE (POSITIVE)
72-82 Y W/37 THRU 63 AMP	1875627	1	N.L.	BRIDGE, DIODE (POSITIVE)
80-82 Y W/70, 85 AMP	1975313	1	N.L.	BRIDGE, RECT
62-69 Y	1959455	1	2.31	CAPACITOR(W/1100615-618-620-628-629-633-665-668-669-670-693-694-695-696-697-742-750-0834 THRU 0849)
69-82 Y	1978146	1	4.43	CAPACITOR (5MF)
62-68 Y	1852929	3	4.95	DIODE, POSITIVE (42-52-61 AMP.) (RED) (W/1100615-618-620-628-629-633-665-668-669-670-693-694-695-696-697-742-750-0834 THRU 0849)
69-82 Y W/37 THRU 63 AMP	1985348	1	N.L.	DIODE, TRIO (NEG) (W/1100543-44-54-0825-33-59-81-82-84-0900-01-50)
78-79 Y W/80 AMP	1977064	1	N.L.	DIODE, TRIO
80-81 Y W/70, 85 AMP	1984459	1	N.L.	DIODE, TRIO (NEG)
82 Y W/70 AMP	1984459	1	N.L.	DIODE, TRIO (NEG)
62-71 Y	1959828	1	26.15	HEAT SINK,
76-82 Y	830478	1	.45	RESISTOR, REG TO BRUSH GRD
69-82 Y	1984458	1	.38	SCREW, RECTIFIER BRIDGE ATCH
76-78 Y	1851612	1	.20	SCREW, CAPAC LEAD ATCH
62-69 Y	1960750	1	1.98	SPRING, CNDSR RET

2.333 SPACER, Battery

57-63 Y (EXC. A.C.)	760689	4	.44	SPACER, RETAINER (RUBBER 3/16" THK)
---------------------	--------	---	-----	-------------------------------------

2.334 BOLT-SCREW-STUD-WASHER, Battery Hold Down

53-67 Y (EXC. 396)	325053	AR	2.30	BOLT (HOOK HD. 5/16 -18 X 10 1/2 O.L.)
74-82 Y	458985	1	.55	SCREW, W/WA, BAT HOLDN RET(7.242)
63-67 Y (EXC. A.C., 395)	325192	2	3.20	STUD, RETAINER (5/16"-18 X 10 1/4") (3.403)
53-82 Y	3914674	AR	.25	WASHER, FLAT (3/8 I.D. X 1 O.D.)

2.335 CLAMP-REINFORCEMENT-RETAINER, Battery Hold Down

67 Y (EXC. A.C.)	3919633	1	.77	CLAMP, HOLDN
------------------	---------	---	-----	--------------

CHASSIS WIRING-LAMPS

2.335		CLAMP-REINFORCEMENT-RETAINER		Battery Hold Down	(Con't)
68-81	Y	3919633	1	.77	CLAMP, HOLDN
68-81	Y	3880196	LH	1.70	REINFORCEMENT, HOLDN
68-82	Y	14041102	RH	1.70	REINFORCEMENT, HOLDN
55-56	Y (12 VOLT) (EXC. SBC. H.D. BAT.)	468388	1	4.25	RETAINER (13 9/16 O.L. X 7)
57-63	Y	468388	1	4.25	RETAINER (13 9/16 O.L. X 7)
63-65	Y W/A.C.	580517	1	2.35	RETAINER (8 1/2 O.L. X 4)
64-66	Y (EXC. A.C., 396)	468388	1	4.25	RETAINER (13 9/16 O.L. X 7)
65	Y (396) W/SP. H/PER.	580517	1	2.35	RETAINER (8 1/2 O.L. X 4)
68-81	Y	6270159	1	1.15	RETAINER, HOLDN
2.341		CABLE-STRAP-WIRE		Battery(Negative)	
56-62	Y	2968183	1	8.50	CABLE, W/TERM, FLDG TOP GROUND (14) (ENG GRD)
62-64	Y (EXC. A.C.)	8907362	1	11.20	CABLE (30" CTR TO CTR HOLES) (NEG) (W/TERMINAL)
65-67	Y	8907362	1	11.20	CABLE (30" CTR TO CTR HOLES) (W/TERMINAL)
68-81	Y	8901980	1	8.35	CABLE (13" CTR TO CTR HOLES) (NEG) (ENG GRD)
70-75	Y	8901981	1	18.45	CABLE (29 1/2" CTR TO CTR HOLES) (W/TERMINAL)
76-81	Y	8908585	1	13.95	CABLE (2 1/2") (NEG) (W/TERMINAL)
82	Y	12016502	1	8.00	CABLE, BAT (NEG) (550 MM)
63-64	Y W/A.C.	6296304	1	10.00	STRAP (18" O.L.) (PACKARD 5L-16) (W/TERMINAL)
67-82	Y	6286800	AR	2.80	STRAP (19") (ENG GRD)
76-79	Y	6287160	1	4.45	STRAP (10 1/2") (9.663) (ENG GRD)
78-82	Y	8910791	1	7.55	WIRE (SEE GROUP 9.647 FOR USAGE) (ENG GRD)
2.342		BLOCK-CABLE		Battery(Positive)	
74	Y	340409	1	.81	BLOCK, ENG WRG JCT
80	Y W/STEREO (UM2, UN3)	340409	1	.81	BLOCK, ENG WRG JCT
81	Y W/UM4, UM5, UM6, UN5	340409	1	.81	BLOCK, ENG WRG JCT
82	Y	340409	1	.81	BLOCK, ENG WRG JUNC
55-61	Y (8 CYL.)	8907363	1	12.15	CABLE (29 1/2" CTR TO CTR HOLES)
62	Y	8907362	1	11.20	CABLE (26" CTR TO CTR HOLES)
63-65	Y (EXC. A.C., 396)	8907361	1	10.25	CABLE (26" CTR TO CTR HOLES)
63-67	Y W/A.C.	8907375	1	21.65	CABLE (70" CTR TO CTR HOLES)
65	Y (396) W/SP. H/PER.	8907375	1	21.65	CABLE (70" CTR TO CTR HOLES)
66-67	Y (EXC. A.C., 427)	8907361	1	10.25	CABLE (26" CTR TO CTR HOLES)
66-67	Y (427)	8907362	1	11.20	CABLE (26" CTR TO CTR HOLES)
68-69	Y (1ST DESIGN)	6295212	1	33.25	CABLE (85" CTR TO CTR HOLES)
69-82	Y (2ND DESIGN 1969)	12028598	1	36.35	CABLE (91) (POS.) (2310M)
81-82	Y	12028598	1	36.35	CABLE, BAT (POS)
2.343		BOLT KIT-BRACKET -CLIP-SCREW		Battery Cable	
53-69	Y	1846534	1	.46	BOLT KIT, W/NUT (FOR BOLT TYPE CLAMP)
68-82	Y	3840474	6	2.80	BRACKET (8.857)
82	Y	355930	1	1.35	CLIP, CABLE TO OIL PAN
69-72	Y	8917444	1	1.06	SCREW, POS BATT CABLE (SIDE TERM.)
2.345		COVER-WASHER		Battery Filler	
<i>NOTE 1: COVERS 3 FILLER HOLES.</i>					
68-75	Y	1876244	2	9.15	COVER, CAP (NOTE 1)
53-82	Y	378082	1	.28	WASHER, POS. TERM. (11/16 I.D. X 15/16 O.D. X 3/16)
2.361		DISTRIBUTOR		Ignition	
58-61	Y (EXC. DUAL 4BC, F.I.)	1111500	1	133.45	DISTRIBUTOR
62	Y W/SP. H/PER.	1110985	1	309.05	DISTRIBUTOR, W/DUAL POINTS
65	Y (EXC. SP. H/PER., F.I.)	1112021	1	307.10	DISTRIBUTOR
65-67	Y (327) W/SP. H/PER., HYD. LIFTERS (EXC. T. IGN.)	1111196	1	263.00	DISTRIBUTOR
65-67	Y (327) W/SP. H/PER., HYD. LIFTERS, T. IGN.	1111267	1	351.15	DISTRIBUTOR
66-68	Y (327)	1112021	1	307.10	DISTRIBUTOR
66-69	Y (427) W/H/PER. (EXC. T. IGN.)	1111926	1	261.10	DISTRIBUTOR
68	Y (327) W/SP. H/PER., T. IGN.	1112038	1	314.00	DISTRIBUTOR
69	Y (350) (EXC. H/PER., SP. H/PER.)	1112021	1	307.10	DISTRIBUTOR
69	Y (350) W/H/PER., T. IGN.	1111491	1	312.30	DISTRIBUTOR

CHASSIS WIRING-LAMPS

2.361		DISTRIBUTOR, Ignition		(Con't)		
69	Y (350) W/T. IGN.	1112038	1	314.00	DISTRIBUTOR	
69	Y (350) W/SP. H/PER. (EXC. T. IGN.)	1112150	1	313.00	DISTRIBUTOR	
70	Y (350) (EXC. SP. H/PER.)	1112021	1	307.10	DISTRIBUTOR	
70	Y (350) W/SP. H/PER.	1111491	1	312.30	DISTRIBUTOR	
70	Y (454)	1111464	1	196.00	DISTRIBUTOR	
71-72	Y (350) (EXC. SP. H/PER.)	1112528	1	271.60	DISTRIBUTOR	
71	Y (350) W/SP. H/PER.	1112038	1	314.00	DISTRIBUTOR	
71-72	Y (454) W/H/PER.	1112051	1	224.25	DISTRIBUTOR	
72-74	Y (350) W/SP. H/PER.	1112150	1	313.00	DISTRIBUTOR	
73	Y (350) (EXC. SP. H/PER.)	1112247	1	300.50	DISTRIBUTOR	
74	Y (350) W/A.T. (EXC. SP. H/PER.)	1112247	1	300.50	DISTRIBUTOR	
74	Y (350) W/M.T. (EXC. SP. H/PER., CALIF.)	1112247	1	300.50	DISTRIBUTOR	
74	Y (350) W/M.T., CALIF. (EXC. SP. H/PER.)	1112544	1	254.30	DISTRIBUTOR	
75-76	Y (350) (EXC. SP. H/PER., CALIF.)	1103253	1	308.35	DISTRIBUTOR	
75-76	Y (350) W/CALIF. (EXC. SP. H/PER.)	1103274	1	313.55	DISTRIBUTOR	
75	Y (350) W/SP. H/PER., CALIF.	1112883	1	320.90	DISTRIBUTOR	
75	Y W/SP. H/PER., FED.	1112979	1	317.50	DISTRIBUTOR	
76	Y W/SP. H/PER., M.T.	1103256	1	308.35	DISTRIBUTOR	
76	Y W/SP. H/PER., A.T.	1112979	1	317.60	DISTRIBUTOR	
77	Y (EXC. SP. H/PER., CALIF.)	1103246	1	308.35	DISTRIBUTOR	
77	Y W/CALIF. (EXC. SP. H/PER.)	1103248	1	280.60	DISTRIBUTOR	
77	Y W/SP. H/PER.	1103256	1	308.35	DISTRIBUTOR	
78	Y W/A.T. (EXC. SP. H/PER., CALIF.)	1103353	1	308.35	DISTRIBUTOR	
78-79	Y W/CALIF. (EXC. SP. H/PER.)	1103285	1	308.35	DISTRIBUTOR	
78	Y W/M.T. (EXC. SP. H/PER.)	1103337	1	308.35	DISTRIBUTOR	
78-79	Y W/SP. H/PER.	1103291	1	280.60	DISTRIBUTOR	
79	Y W/A.T., FED (EXC. SP. H/PER.)	1103302	1	308.35	DISTRIBUTOR	
79	Y W/ALT. (EXC. SP. H/PER.)	1103353	1	308.35	DISTRIBUTOR	
79	Y W/M.T. (EXC. SP. H/PER.)	1103353	1	308.35	DISTRIBUTOR	
80	Y (305)	1103386	1	308.35	DISTRIBUTOR	
80	Y (350) W/M.T., SP. H/PER.	1103291	1	280.60	DISTRIBUTOR	
80	Y (350) W/A.T. (EXC. SP. H/PER.)	1103353	1	308.35	DISTRIBUTOR	
80	Y (350) W/A.T., SP. H/PER.	1103435	1	308.35	DISTRIBUTOR	
81	Y (350)	1103443	1	338.65	DISTRIBUTOR	
82	Y	1103479	1	303.40	DISTRIBUTOR	

2.362 HOUSING, Ignition Distributor

58-61	Y	1966407	1	35.30	HOUSING
62-74	Y	1851158	1	124.90	HOUSING
75-80	Y	1876222	1	33.55	HOUSING
81-82	Y	1978152	1	40.40	HOUSING

2.363 CLAMP-GASKET-SEAL, Distributor and Fuel Injector

55-57	Y (8 CYL.) (EXC. DISTR. CONT. GOV.)	14007385	1	1.15	CLAMP, IGN TIMER DIST
59-63	Y W/F.I.	14007385	1	1.15	CLAMP, IGN TIMER DIST
68-82	Y	14007385	1	1.15	CLAMP, IGN TIMER DIST
82	Y	14007385	1	1.15	CLAMP, IGN TIMER DIST
55-81	Y (8 CYL.)	3932344	1	.35	GASKET, IGN. TIMER DIST. (1 13/16 O.D. X 1 9/32 I.D.)
58-65	Y W/F.I.	1940604	1	.20	GASKET, CVR PLT (FOUR 3/16 HOLES)
82	Y (5.7-8)	3932344	1	.35	GASKET, IGN. TIMER DIST. (1 13/16 O.D. X 1 9/32 I.D.)
60-65	Y W/F.I.	1876413	1	2.52	SEAL, HSG OIL (1" O.D. X 19/64" THICK)
63-82	Y	1950569	1	.45	SEAL, HSG OIL

2.364 LUBRICATOR KIT-RETAINER-WASHER, Distributor

58-62	Y (8 CYL.) (EXC. DUAL 4BC, H.L. CAM, H/PER.)	1852935	1	1.50	LUBRICATOR KIT
63-74	Y	1852935	1	1.50	LUBRICATOR KIT
71-74	Y	1963858	1	.47	RETAINER, FELT WICK
58-77	Y (8 CYL.)	1951099	1	.35	WASHER, HSG OIL SEAL (UNDER POLE PIECE)

2.367 CAP, Distributor

53-62	Y (6 CYL.)	1924248	1	8.20	CAP (3 5/16 O.D. X 2 7/8 HIGH)
-------	------------	---------	---	------	--------------------------------

CHASSIS WIRING-LAMPS

2.367 CAP, Distributor (Con't)					
55-57	Y (8 CYL.)	1917247	1	10.25	CAP (4" O.D. X 3" HIGH)
58-61	Y (8 CYL.) (EXC. DUAL 4BC)	1971244	1	N.L.	CAP, W/LATCH (3 11/16 O.D.)
58-61	Y W/DUAL 4BC. H/PER.	1917247	1	10.25	CAP (4" O.D. X 3" HIGH)
62	Y (8 CYL.) (EXC. F.I.)	1971244	1	N.L.	CAP, W/LATCH (3 11/16 O.D.)
63-74	Y (8 CYL.)	1971244	1	N.L.	CAP, W/LATCH (3 11/16 O.D.)
75-82	Y	1974408	1	N.L.	CAP
2.368 BRUSH-COVER-SCREW, Distributor Cap Retaining					
75-82	Y	1875987	1	2.44	BRUSH, RESISTOR
75-82	Y	1875960	1	5.75	COVER
75-82	Y	1876153	2	.69	SCREW, CVR ATCH
2.372 GROMMET-POLE PIECE-RETAINER-SCREW-SHAFT, Distributor					
NOTE 1: 3/16 DRIVE PIN HOLE. ALSO INCLUDES INTEGRAL GEAR ON CENTER OF SHAFT.					
64-68	Y (327) W/SP. H/PER., T. IGN. (EXC. F.I.)	1932023	1	.64	GROMMET, POLE PIECE AND PLATE (2.401)
64-65	Y W/T. IGN.	1932023	1	.64	GROMMET, POLE PIECE AND PLATE (2.401)
66-67	Y (427) W/T. IGN. (EXC. SP. H/PER., A.I.R., T.H.)	1932023	1	.64	GROMMET, POLE PIECE AND PLATE (2.401)
67	Y (396) W/SP. H/PER., T. IGN., A.I.R.	1932023	1	.64	GROMMET, POLE PIECE AND PLATE (2.401)
68	Y (427)	1932023	1	.64	GROMMET, POLE PIECE AND PLATE (2.401)
69	Y (427) (EXC. H/PER.)	1932023	1	.64	GROMMET, POLE PIECE AND PLATE (2.401)
69	Y W/T. IGN.	1932023	1	.64	GROMMET, POLE PIECE AND PLATE (2.401)
70	Y (350, 454) W/SP. H/PER.	1932023	1	.64	GROMMET, POLE PIECE AND PLT (2.401)
64-65	Y W/F.I., T. IGN.	1980779	1	69.30	POLE PIECE, W/PLT (W/1111064) (PICK-UP COIL)
65-66	Y (327) W/SP. H/PER., HYD. LIFTERS, T. IGN. (EXC. A.I.R.)	1964272	1	38.05	POLE PIECE, W/WEIGHT BASE (ROTATING)
65	Y (396) W/T. IGN.	1964272	1	38.05	POLE PIECE, W/WEIGHT BASE (ROTATING)
67	Y (427) (CHAIN DRIVE CAM W/H.D.)	1964272	1	38.05	POLE PIECE, W/WEIGHT BASE (W/1111074-1088-1093-1098) (ROTATING)
70-71	Y (350, 454) W/SP. H/PER.	1960779	1	69.30	POLE PIECE, W/PLT (W/1111059-1060-1074-1086-88-93-98-1125-26-37-40-42-1111491-1927-28-1954-71-2038-53-76) (PICK-UP COIL)
75-80	Y	1875981	1	N.L.	POLE PIECE, W/PLT
81	Y (350)	1976897	1	30.00	POLE PIECE, W/PLT
82	Y	1977207	1	31.70	POLE PIECE, W/PLT
75-82	Y	830446	1	.34	RETAINER, POLE PIECE AND PLT
81-82	Y	1977378	1	2.01	SCREW, POLE PIECE & PLT HOLD DOWN
58-59	Y (283) (1ST DESIGN)	3739826	1	5.70	SHAFT, W/SLEEVE, INTER. TO OIL PUMP
62-64	Y (EXC. F.I., T. IGN.) (1ST DESIGN)	1961402	1	38.85	SHAFT, W/AUTO CAM (W/1110984-85-1024-1062) (NOTE 1)
62-65	Y W/F.I. (1ST DESIGN)	1966078	1	60.50	SHAFT, TACH. DRIVE (W/1110990-1022-63-64-70)
65-66	Y (327) (EXC. SP. H/PER., F.I., A.I.R.)	1964925	1	33.00	SHAFT, MAIN, W/AUTO CAM (W/1111076-1087)
65-66	Y (327) W/SP. H/PER., HYD. LIFTERS (EXC. T. IGN., A.I.R.)	1964925	1	33.00	SHAFT, MAIN, W/AUTO CAM (W/1111076-1087)
65	Y (396, 427) W/SP. H/PER.	3865886	1	7.35	SHAFT, W/RET, DIST TO OIL PUMP INTER.
66-67	Y (327) W/A.I.R., SP. H/PER. (EXC. T. IGN.)	1968080	1	37.45	SHAFT, MAIN, W/AUTO CAM
66-68	Y (327) W/P.G. (EXC. A.I.R.)	1968080	1	37.45	SHAFT, MAIN, W/AUTO CAM
66-69	Y (427) (EXC. SP. H/PER., H.D.)	1852764	1	26.25	SHAFT, MAIN, W/AUTO CAM (W/1112101)
67-69	Y (427)	3865886	1	7.35	SHAFT, W/RET, DIST TO OIL PUMP INTER.
67-68	Y (427) W/4BC (EXC. T. IGN.)	1968530	1	43.45	SHAFT, MAIN, W/AUTO CAM (W/1111247-1293-1926)

CHASSIS WIRING-LAMPS

2.372 GROMMET-POLE PIECE-RETAINER-SCREW-SHAFT, Distributor (Con't)

69-71	Y (350) (EXC. H/PER. SP H/PER.)	1968080	1	37.45	SHAFT, MAIN, W/AUTO CAM (W/1111194-96-1490-2020-1111477)
69-70	Y (350) W/H/PER. (EXC. T. IGN.)	800476	1	36.20	SHAFT, MAIN, W/AUTO CAM (W/1111493-1112021)
69	Y (427) H/PER. W/T. IGN.	800473	1	26.05	SHAFT, MAIN, W/AUTO CAM (W/1111491)
69	Y (427) W/H/PER.	1968530	1	43.45	SHAFT, MAIN, W/AUTO CAM (W/1111247-1293-1920)
70	Y (350) W/SP. H/PER.	800473	1	26.05	SHAFT, MAIN, W/AUTO CAM (W/1111491)
71-72	Y (350) (EXC. SP. H/PER.)	1851625	1	27.75	SHAFT, MAIN, W/AUTO CAM (W/1112050)
71-72	Y (454) (EXC. SP. H/PER.)	1851164	1	28.35	SHAFT, MAIN, W/AUTO CAM (W/1112051)
71	Y (454) W/SP. H/PER.	3865886	1	7.35	SHAFT, W/RET. DIST TO OIL PUMP INTER.
72	Y (350) W/SP. H/PER.	1852764	1	26.25	SHAFT, MAIN, W/AUTO CAM (W/1112101)
73	Y (350) (EXC. SP. H/PER.)	1870658	1	41.65	SHAFT, MAIN, W/AUTO CAM (W/1112098)
73-74	Y (350) W/SP. H/PER.	1870718	1	33.80	SHAFT, MAIN, W/AUTO CAM
73-74	Y (454)	1870672	1	29.25	SHAFT, MAIN, W/AUTO CAM (W/1112114)
74	Y (350) W/A.T., CALIF. (EXC. SP. H/PER.)	1851624	1	53.50	SHAFT (W/1112247)
74	Y (350) W/4-SPD. (EXC. CALIF. SP. H/PER.)	1851624	1	53.50	SHAFT (W/1112247)
74	Y (350) W/A.T. (EXC. CALIF., SP. H/PER.)	1870858	1	41.65	SHAFT, MAIN, W/AUTO CAM (W/1112098)
75-76	Y (350) (EXC. SP. H/PER., CALIF.)	1894379	1	43.85	SHAFT, MAIN (W/1112888) (H.E.I.)
75-76	Y (350) W/SP. H/PER.	830110	1	50.40	SHAFT, MAIN (W/1112883) (H.E.I.)
76	Y (350) W/CALIF. (EXC. SP. H/PER.)	1894343	1	47.65	SHAFT, MAIN (W/1112959) (H.E.I.)
76	Y W/SP. H/PER., CALIF.	1894352	1	44.35	SHAFT, MAIN (W/1112979)
77	Y (EXC. SP. H/PER., CALIF.)	1894333	1	43.85	SHAFT, MAIN
77-79	Y W/SP. H/PER.	1894392	1	44.35	SHAFT, MAIN
78-79	Y W/CALIF. (EXC. SP. H/PER.)	1894333	1	43.85	SHAFT, MAIN
78-79	Y W/FED. (EXC. SP. H/PER.)	1894379	1	43.85	SHAFT, MAIN
80	Y (305)	1894344	1	43.85	SHAFT, MAIN
80	Y (350) W/ALT. (EXC. SP. H/PER.)	1894379	1	43.85	SHAFT, MAIN
81-82	Y	1976909	1	38.20	SHAFT, MAIN

2.374 GEAR KIT, Distributor Drive and Driven

55-82	Y (8 CYL.)	1958599	1	12.35	GEAR KIT,
-------	------------	---------	---	-------	-----------

2.375 SEAL, Distributor Drive Shaft

58-59	Y W/F.I.	1876413	1	2.52	SEAL, HOUSING OIL (1" O.D. X 19/64" THICK) (2.363)
-------	----------	---------	---	------	--

2.379 PIN -SHIM -WASHER, Distributor Shaft Thrust and Gear

53-55	Y (6 CYL.)	1857502	1	.14	PIN (3/16 DIA X 7/8 LONG)
56-57	Y	1927529	AR	.78	SHIM (1/2" I.D. X 1" O.D. X .005" THICK)
57-59	Y (F.I. W/H.L. CAM)	1927529	AR	.78	SHIM (1/2" I.D. X 1" O.D. X .005" THICK)
60-65	Y W/F.I.	1927529	AR	.78	SHIM (1/2" I.D. X 1" O.D. X .005" THICK)
55-66	Y (8 CYL.)	1837617	1	.27	WASHER, UNDER GEAR (1/2 I.D. X 1 O.D. X 1/32 THICK)
75-82	Y	1837617	1	.27	WASHER, UNDER GEAR (1/2 I.D. X 1 O.D. X 1/32 THICK)
75-82	Y	1965864	1	.60	WASHER, TANG UNDER GEAR

2.381 BUTTON-CAM, Distributor

68-74	Y	1957329	1	.51	BUTTON, TACH CROSS SHF THRUST
68	Y (427)	1957329	2	.51	BUTTON, WEIGHT BASE
69	Y (427) (EXC. H/PER.)	1957329	2	.51	BUTTON, WEIGHT BASE
70	Y (350) W/SP. H/PER.	1957329	2	.51	BUTTON, WEIGHT BASE
71-74	Y	1957329	2	.51	BUTTON, WEIGHT BASE (W/1111295-96-1491-2038-50-51-53-76-2101)
58-61	Y (8 CYL.) (EXC. DUAL 4BC)	1967002	1	17.20	CAM, W/WEIGHT PLATE
62-64	Y (EXC. F.I.)	1966686	1	17.20	CAM, W/WEIGHT PLT

CHASSIS WIRING-LAMPS

2.381		BUTTON-CAM, Distributor		(Con't)	
65	Y (EXC. SP. H/PER., F.I.)	1967002	1	17.20	CAM, W/WEIGHT PLATE
65-66	Y (327) (SP. H/PER. W/HYD. LIFTERS) (EXC. T. IGN., A.I.R.)	1967002	1	17.20	CAM, W/WEIGHT PLATE
66	Y (327) W/P.G. (EXC. A.I.R.)	1967002	1	17.20	CAM, W/WEIGHT PLATE
66	Y (327) W/SP. H/PER., A.I.R. (EXC. T. IGN.)	1967002	1	17.20	CAM, W/WEIGHT PLATE
66	Y (396, 427) (EXC. SP. H/PER., T. IGN., T.H.)	1967002	1	17.20	CAM, W/WEIGHT PLATE
67	Y (327) W/P.G. (EXC. A.I.R.)	1967002	1	17.20	CAM, W/WEIGHT PLATE
67-68	Y (327) W/SP. H/PER. (EXC. T. IGN.)	1967002	1	17.20	CAM, W/WEIGHT PLATE
68	Y (327) (EXC. SP. H/PER.)	1967002	1	17.20	CAM, W/WEIGHT PLATE
69	Y (350) W/SP. H/PER.	1963492	1	17.20	CAM, W/WEIGHT BASE, BREAKER
69	Y (350, 427) (EXC. H.D., SP. H/PER.)	1967002	1	17.20	CAM, W/WEIGHT PLATE
70	Y (350) (EXC. SP. H/PER.)	1967002	1	17.20	CAM, W/WEIGHT PLATE (W/1110920-0946-0947-1111015-076-087-1111107-109-112-141-150-153-156-191-1257-1481-1490-93-1500-1925-26-2020-21)
70-71	Y (350, 454) W/SP. H/PER. (EXC. T. IGN.)	1963492	1	17.20	CAM, W/WEIGHT BASE, BREAKER
70-71	Y (454) W/H/PER.	1966886	1	17.20	CAM, W/WEIGHT PLT (W/1110122-0907-0927-0930-0948-0985-0987-1006-1016-1023-1024-1062-1063-1075-1085-1152-1464-1489-2051)
71	Y (350) (EXC. SP. H/PER.)	1963492	1	17.20	CAM, W/WEIGHT BASE, BREAKER
72	Y (350) W/SP. H/PER.	1967002	1	17.20	CAM, W/WEIGHT PLT (W/1112101)
73-74	Y (350) (EXC. SP. H/PER.)	1870644	1	17.75	CAM, W/WEIGHT PLT (W/1112098)
73-74	Y (454)	1963492	1	17.20	CAM, W/WEIGHT BASE, BREAKER (W/1111496-1957-2050-2114)
2.382		ROTOR, Distributor			
53-55	Y (6 CYL.)	1924245	1	2.29	ROTOR (1 11/16 O.L. ACROSS TOP)
55-57	Y (8 CYL.)	1927393	1	3.09	ROTOR (1 11/16 O.L. ACROSS TOP)
58-61	Y (EXC. DUAL 4BC)	1852722	1	N.L.	ROTOR
58-61	Y W/DUAL 4BC, H/PER.	1927393	1	3.09	ROTOR (1 15/16 O.L. ACROSS TOP)
62-74	Y	1852722	1	N.L.	ROTOR
75-82	Y	1977026	1	N.L.	ROTOR
2.383		AMPLIFIER-BRACKET-DIODE-GROMMET-HARNESS-INSULATOR - MODULE-NUT-RESISTOR - SCREW - SHIELD-STRAP-TERMINAL BLOCK - TRANSISTOR, Distributor			
84-69	Y W/T. IGN.	3955511	1	267.00	AMPLIFIER, MAGNETIC IMPULSE
70-72	Y (350, 454) W/SP. H/PER.	3955511	1	267.00	AMPLIFIER, MAGNETIC IMPULSE
80-81	Y	14005096	1	4.80	BRACKET, MODULE
64-72	Y W/T. IGN.	1960642	1	21.40	DIODE, ZENER
80	Y (305H)	3979756	1	.66	GROMMET, CLOSED LOOP HARN (9.775)
81-82	Y	3979756	1	.66	GROMMET, CLSD LOOP HARN (9.775)
64-68	Y W/T. IGN.	6295077	1	43.75	HARNESS, AMPF
69	Y W/T. IGN.	6297596	1	56.00	HARNESS, AMPF
70-72	Y (350, 454) W/SP. H/PER.	6297596	1	56.00	HARNESS, AMPF
64-72	Y W/T. IGN.	1962715	1	.18	INSULATOR (MICA)
75-80	Y	1875990	1	N.L.	MODULE, DISTR
81	Y (350)	1978617	1	N.L.	MODULE, DISTR
82	Y	1976908	1	N.L.	MODULE, DISTR
82	Y W/CLSD LOOP	18024701	1	95.00	MODULE, ELEK SPARK
80-82	Y W/CLSD LOOP	14005097	3	.73	NUT, MODULE BRKT (M5 X 0.8) (SELF SEALING)
64-72	Y W/T. IGN.	1960640	1	.38	RESISTOR (10 OHM)
64-72	Y W/T. IGN.	1960641	1	.35	RESISTOR (1500 OHM)
75-82	Y	1875948	2	.17	SCREW, W/WA, ROTOR ATTACH
75-82	Y	1891234	1	.29	SCREW, W/LW, MODULE ATTACH
82	Y	1984382	1	.99	SHIELD, MODULE
82	Y W/CLSD LOOP	14047155	1	2.20	SHIELD, ELEK SPARK CONT KNOCK SEN
65-66	Y (396, 427) W/SP. H/PER.	3816659	3	.58	STRAP, AMPF HARN (2.559)
75-82	Y	1892261	1	N.L.	TERMINAL BLOCK (INCLUDES CAPACITOR)
81-82	Y	1979733	1	21.65	TERMINAL BLOCK (MODULE TO ELEK PKG)
84-72	Y W/T. IGN.	1960643	1	12.35	TRANSISTOR, TRIGGER
66-72	Y W/T. IGN.	1960632	1	44.55	TRANSISTOR (2.5 10)
2.384		POINT KIT, Distributor			
56-57	Y W/DUAL 4BC F.I.	1938330	2	9.35	POINT KIT, PRE-ASSEMBLED

WAREHOUSING AND DISTRIBUTION DIVISION OF GENERAL MOTORS CORPORATION — CHEVROLET—14A

REV. 12-83

2-19

2.381-2.384

CHASSIS WIRING-LAMPS

2.384 POINT KIT, Distributor		(Con't)			
53-65	Y (8 CYL.) (EXC. DUAL 4BC)	1931988	1	N.L.	POINT KIT, PRE-ASSEMBLED (CLIP ON TYPE)
58-61	Y W/DUAL 4BC, H/PER.	1938330	2	9.35	POINT KIT, PRE-ASSEMBLED
66	Y (427) (EXC. SP. H/PER. A.I.R., T.H.)	1966294	1	8.60	POINT KIT
66-69	Y (8 CYL.) (EXC. 427)	1931988	1	N.L.	POINT KIT, PRE-ASSEMBLED (CLIP ON TYPE)
68	Y (427) W/H/PER. (EXC. T. IGN.)	1966294	1	8.60	POINT KIT
69	Y (427) W/H/PER. (EXC. 3/2BC)	1966294	1	8.60	POINT KIT
69	Y W/SP. H/PER.	1966294	1	8.60	POINT KIT
70	Y (350) (EXC. SP. H/PER.)	1931988	1	N.L.	POINT KIT, PRE-ASSEMBLED (CLIP ON TYPE)
70	Y (454)	1966294	1	8.60	POINT KIT
71-74	Y	1966294	1	8.60	POINT KIT

2.385 PLATE-SLEEVE-SPRING, Distributor Breaker					
58-61	Y (8 CYL.) (EXC. H.L. CAM, H/PER.)	1962141	1	8.85	PLATE
62	Y (8 CYL.) (EXC. F.I., SP. H/PER.)	1962141	1	8.85	PLATE
62	Y W/SP. H/PER.	1953752	1	12.95	PLATE (W/1110985)
63-65	Y (8 CYL.)	1962141	1	8.85	PLATE
66	Y (327) W/A.I.R. (EXC. P.G., T. IGN.)	1962141	1	8.85	PLATE
66	Y (427) (EXC. SP. H/PER., A.I.R., T. IGN., T.H.)	1962141	1	8.85	PLATE
67-68	Y (427) (EXC. SP. H/PER., T. IGN.)	1962141	1	8.85	PLATE
69	Y (350, 427) W/4 BC, H/PER.	1962141	1	8.85	PLATE
70-74	Y	1876641	1	8.80	PLATE
65	Y (EXC. MECH. LIFTERS, F.I., 396)	1961234	1	.31	SLEEVE, SPRING POST (PLASTIC-1/4 O.D. X 3/16 O.L.)
66-68	Y (327) (EXC. A.I.R.)	1961234	1	.31	SLEEVE, SPRING POST (PLASTIC-1/4 O.D. X 3/16 O.L.)
66	Y (427) (EXC. SP. H/PER., A.I.R., T.H.)	1961234	1	.31	SLEEVE, SPRING POST (PLASTIC-1/4 O.D. X 3/16 O.L.)
67-68	Y (327) W/P.G.	1961234	1	.31	SLEEVE, SPRING POST (PLASTIC-1/4 O.D. X 3/16 O.L.)
67-68	Y (427) (EXC. SP. H/PER., T. IGN.)	1961234	1	.31	SLEEVE, SPRING POST (PLASTIC-1/4 O.D. X 3/16 O.L.)
69-74	Y	1961234	1	.31	SLEEVE, SPRING POST (PLASTIC-1/4 O.D. X 3/16 O.L.)
58-61	Y (8 CYL.)	1932024	1	.64	SPRING, PLT RET
62	Y (EXC. SP. H/PER., F.I.)	1932024	1	.64	SPRING, PLT RET
63-65	Y (8 CYL.)	1932024	1	.64	SPRING, PLT RET
66	Y (327) W/SP. H/PER.	1932024	1	.64	SPRING, PLT RET
66	Y (427) (EXC. SP. H/PER., A.I.R., T.H.)	1932024	1	.64	SPRING, PLT RET
67-68	Y (327) W/P.G.	1932024	1	.64	SPRING, PLT RET
67-68	Y (327) W/T. IGN, SP H/PER., A.I.R.	1932024	1	.64	SPRING, PLT RET
69-74	Y	1932024	1	.64	SPRING, PLT RET

2.388 WEIGHT, Distributor					
55	Y (8 CYL.)	1880902	AR	1.68	WEIGHT
56-57	Y	1881371	AR	1.68	WEIGHT
58-61	Y (F.I. W/H.L. CAM)	1924737	1	1.78	WEIGHT
58-62	Y (8 CYL.) (EXC. H.L. CAM, DUAL 4BC, 327)	1881371	AR	1.68	WEIGHT
62	Y	1924737	1	1.78	WEIGHT
63-64	Y (327)	1924737	1	1.78	WEIGHT
64	Y W/T. IGN.	1880902	2	1.38	WEIGHT
65-66	Y (EXC. SP. H/PER. W/MECH. LIFTERS, F.I.)	1881371	AR	1.68	WEIGHT
65	Y (327) W/SP. H/PER., F.I.	1880902	2	1.68	WEIGHT
65-66	Y (396, 427) W/SP. H/PER.	1881371	AR	1.68	WEIGHT
66	Y (250) W/A.I.R. (EXC. SP. H/PER., P.G.)	1965843	2	1.62	WEIGHT
66	Y (327) W/A.I.R., SP. H/PER., T. IGN.	1965843	2	1.62	WEIGHT

CHASSIS WIRING-LAMPS

2.388 WEIGHT, Distributor (Con't)

66	Y (427) (EXC. SP. H/PER., A.I.R., T.H.)	1965843	2	1.62	WEIGHT
67-68	Y (327)	1881371	AR	1.68	WEIGHT
67-69	Y (427) W/SP. H/PER.	1880902	2	1.68	WEIGHT
68	Y (327) W/SP. H/PER.	1965843	2	1.62	WEIGHT
68	Y (427) W/H.D.	1965843	2	1.62	WEIGHT
70-74	Y	1881371	AR	1.68	WEIGHT

2.389 SPRING, Distributor Weight

54-62	Y (6 CYL.)	1906766	2	.82	SPRING (W/1110467) (47/64" FREE LENGTH)
64	Y	1883498	2	1.25	SPRING (23/32" FREE LENGTH)
65	Y (EXC. SP. H/PER., F.I.)	1884094	2	.57	SPRING (49/64" FREE LENGTH)
65-66	Y (327) W/SP. H/PER., HYD. LIFTERS, T. IGN. (EXC. A.I.R.)	1964950	2	.94	SPRING (45/64" FREE LENGTH)
65-66	Y (396, 427) W/SP. H/PER.	1965903	2	1.25	SPRING (17/32" FREE LENGTH)
65	Y W/SP. H/PER., F.I. (EXC. T. IGN., HYD. LIFTERS)	1883498	2	1.25	SPRING (23/32" FREE LENGTH)
65-66	Y W/SP. H/PER., HYD. LIFTERS (EXC. T. IGN., A.I.R.)	1884094	2	.57	SPRING (49/64" FREE LENGTH)
66	Y (396) W/H/PER.	1965903	2	1.25	SPRING (17/32" FREE LENGTH)
67	Y (427) W/H.D.	1965903	2	1.25	SPRING (17/32" FREE LENGTH) (W/1111074-93-95-1240-1949)
67-69	Y (427) W/SP. H/PER.	1969107	2	1.60	SPRING
69	Y (350) W/SP. H/PER., T. IGN.	800474	2	1.20	SPRING
70	Y (350) W/SP. H/PER.	800474	2	1.20	SPRING (W/1111491)
70	Y (454)	1968543	2	1.35	SPRING (W/1111464)
71	Y (350) (EXC. SP. H/PER.)	1851764	2	1.60	SPRING
71-72	Y (454) (EXC. SP. H/PER.)	1882956	2	1.25	SPRING (W/1112051)
73-74	Y (350) (EXC. SP. H/PER.)	1870640	2	1.25	SPRING (W/1112098)
73-74	Y (350) W/SP. H/PER.	1851056	2	1.30	SPRING (W/1112150)
73-74	Y (454)	1851764	2	1.60	SPRING (W/1112050-2114)

2.393 BRACKET-CAPACITOR-CONDENSER -SCREW-SHIELD KIT, Distributor

58-82	Y	1869573	1	.85	BRACKET, CNDSR-CAPAC
62	Y W/SP. H/PER.	1944118	1	.49	BRACKET, CNDSR
75-79	Y	1876154	1	4.19	CAPACITOR
80	Y (350) (EXC. SP. H/PER.)	1876154	1	4.19	CAPACITOR
53-55	Y (8 CYL.)	1928111	1	2.48	CONDENSER (SPADE TYPE TERMINAL)
55-57	Y (8 CYL.)	1928111	1	2.48	CONDENSER (SPADE TYPE TERMINAL)
58-61	Y (EXC. DUAL 4BC, H.L. CAM)	1932004	1	N.L.	CONDENSER
58-61	Y W/DUAL 4BC	1928111	1	2.48	CONDENSER (SPADE TYPE TERMINAL)
62	Y (EXC. F.I.)	1932004	1	N.L.	CONDENSER
63-65	Y (8 CYL.) (EXC. T. IGN.)	1932004	1	N.L.	CONDENSER
66	Y (327) W/A.I.R. (EXC. P.G., T. IGN.)	1932004	1	N.L.	CONDENSER
66	Y (427) (EXC. SP. H/PER., A.I.R., T. IGN., T.H.)	1932004	1	N.L.	CONDENSER
67-68	Y (327) W/P.G.	1932004	1	N.L.	CONDENSER
67-68	Y (427) (EXC. SP. H/PER., T. IGN.)	1932004	1	N.L.	CONDENSER
69-71	Y (8 CYL.) (EXC. SP. H/PER.)	1932004	1	N.L.	CONDENSER
72-74	Y	1932004	1	N.L.	CONDENSER
70-71	Y (350) (EXC. SP. H/PER.)	1846215	1	.25	SCREW, W/LW, ROD INTERFERENCE SHIELD
71-74	Y	1846215	2	.25	SCREW, W/LW, RDO INTERFERENCE SHIELD (W/1112020-21-50-51-98-2114-2130-2150)
75-79	Y	1876639	1	.16	SCREW, W/LW, CAPAC BRKT
80	Y (350) W/ALT. (EXC SP H/PERF)	1876639	1	.16	SCREW, W/LW, CAPAC BRKT
70-74	Y	1846215	1	4.24	SHIELD KIT, RADIO FREQUENCY INTERFERENCE (W/1112020-21-50-51-98-2114-2130-2150)

2.400 CONNECTOR-LEAD-STRAP, Distributor

64-69	Y W/T. IGN.	2984883	1	.58	CONNECTOR, MALE (2 WAY 1 21/32 O.L.) (2.530)
70-71	Y (350) W/SP. H/PER.	2984883	1	.58	CONNECTOR, MALE (2-WAY 1 21/32 O.L.) (2.530)
58-60	Y (8 CYL.) (EXC. DUAL 4BC, F.I.)	1932002	1	1.33	LEAD, BREAKER PLT GROUND
58-60	Y W/4BC	1932002	1	1.33	LEAD, BREAKER PLT GROUND
58	Y W/4BC, F.I. (EXC. H.L. CAM)	1942518	1	1.22	LEAD, PRIM
59-61	Y (8 CYL.) (EXC. DUAL 4BC, F.I.)	1942518	1	1.22	LEAD, PRIM

WAREHOUSING AND DISTRIBUTION DIVISION OF GENERAL MOTORS CORPORATION — CHEVROLET—14A

REV. 12-83

2-21

2.388-2.400

CHASSIS WIRING-LAMPS

2.400 CONNECTOR-LEAD-STRAP, Distributor (Con't)					
62	Y (EXC. SP. H/PER., F.I.)	1932002	1	1.33	LEAD, BREAKER PLT GROUND
62	Y (EXC. SP. H/PER., F.I.)	1942518	1	1.22	LEAD, PRIM
63-65	Y (8 CYL.) (EXC. T. IGN.)	1932002	1	1.33	LEAD, BREAKER PLT GROUND
63-65	Y (8 CYL.) (EXC. F.I., T. IGN.)	1942518	1	1.22	LEAD, PRIM
66	Y (327) W/A.I.R. (EXC. P.G., T. IGN.)	1932002	1	1.33	LEAD, BREAKER PLT GROUND
66	Y (327) W/A.I.R. (EXT. P.G., T. IGN.)	1942518	1	1.22	LEAD, PRIM
66	Y (427) (EXC. SP. H/PER., A.I.R., T. IGN., T.H.)	1932002	1	1.33	LEAD, BREAKER PLT GROUND
66	Y (427) (EXC. SP. H/PER., A.I.R., T. IGN., T.H.)	1942518	1	1.22	LEAD, PRIM
67-68	Y (327) W/P.G.	1932002	1	1.33	LEAD, BREAKER PLT GROUND
67-68	Y (327) W/P.G.	1942518	1	1.22	LEAD, PRIM
67-68	Y (427) (EXC. SP. H/PER., T. IGN.)	1932002	1	1.33	LEAD, BREAKER PLT GROUND
67-68	Y (427) (EXC. SP. H/PER., T. IGN.)	1942518	1	1.22	LEAD, PRIM
69-70	Y (EXC. SP. H/PER.)	1932002	1	1.33	LEAD, BREAKER PLT GROUND
69-70	Y (EXC. SP. H/PER.)	1942518	1	1.22	LEAD, PRIM (W/1111490-93 FOR 1970)
73-74	Y	1875613	1	1.17	LEAD, PRIM (W/1112098-2114-2150)
73-74	Y	1932002	1	1.33	LEAD, BREAKER PLT GROUND (W/1110874-0890-0915-0946-0947-0948-0984-0987-1008-1015-16-22-23-24-62-63-60-70-73-75-76-85-87-96-100-109-114-117-120-132-141-149-150-1931-194-1961-249-1480)
75-78	Y	1876155	1	.99	LEAD, W/TERM, GROUND (LEAD AND TERM CONST)
78-82	Y	1894868	1	1.42	STRAP, GROUND (METAL STRAP CONST)
2.401 BUSHING-GROMMET, Distributor					
53-55	Y (6 CYL.)	1924370	1	.60	BUSHING, STUD (OUTSIDE)
58-62	Y (8 CYL.) (EXC. DUAL 4BC)	1932023	1	.64	GROMMET, HSG
63-65	Y (8 CYL.) (EXC. F.I.)	1932023	1	.64	GROMMET, HSG
63-65	Y W/F.I.	1963928	1	4.96	GROMMET, LEAD
64-65	Y W/F.I., T. IGN.	1963928	1	4.96	GROMMET, LEAD
66	Y (327) W/A.I.R. (EXC. P.G., T. IGN.)	1932023	1	.64	GROMMET, HSG
66	Y (427) (EXC. SP. H/PER., A.I.R., T. IGN., T.H.)	1932023	1	.64	GROMMET, HSG
67-68	Y (327) W/P.G.	1932023	1	.64	GROMMET, HSG
67-68	Y (427) (EXC. SP. H/PER., T. IGN.)	1932023	1	.64	GROMMET, HSG
69-74	Y	1932023	1	.64	GROMMET, HSG
2.408 CONNECTOR-RELAY-SOLENOID-SWITCH-VALVE, Engine and Transmission Controlled Spark					
70-72	Y W/A.T.	8629502	1	2.37	CONNECTOR, CONT SW (4.265)
70	Y	3981573	1	6.15	RELAY, CONT SPARK (4.075)
71	Y	3990842	1	5.25	RELAY, CONT SW REV (4.075)
72	Y	3996297	1	7.90	RELAY, CONT VAC ADVANCE DELAY (4.075)
73	Y	6270698	1	4.35	RELAY, CONT SPARK DELAY (4.075)
70	Y (350)	1114432	1	15.05	SOLENOID, SPARK CONT
70	Y (454) W/H/PER.	1114434	1	15.75	SOLENOID, SPARK CONT
72	Y (350)	1114451	1	17.60	SOLENOID, SPARK CONT
73-74	Y (350) W/M.T.	1997410	1	15.75	SOLENOID, SPARK CONT
73-74	Y (454) W/M.T.	1997411	1	17.60	SOLENOID, SPARK CONT
70-71	Y W/A.T.	6462286	1	3.60	SWITCH, CONT SPARK (4.075)
70-71	Y W/M.T.	3981567	1	5.95	SWITCH, CONT SPARK (4.075)
72	Y W/A.T.	8827332	1	10.60	SWITCH, CONT SPARK (4.075)
72	Y W/M.T.	3996286	1	5.80	SWITCH, CONT SPARK (4.075)
74	Y (454)	3C30951	1	N.L.	SWITCH, THERMO VAC (3.670)
80	Y	25040054	1	23.30	SWITCH, THERMO VAC (2.410)
80	Y (305, 350)	3031549	1	13.30	SWITCH, CONT SPARK (3.670)
80	Y (305, 350)	3043015	1	13.45	SWITCH, CONT SPARK (3.140)
81	Y (350)	3031549	1	13.30	SWITCH, CONT SPARK (3.670)
80	Y	14015578	1	4.15	VALVE, SPARK DELAY
2.410 CONTROL-SWITCH, Distributor Vacuum					
58-61	Y W/F.I. (EXC. H.L. CAM)	1116355	1	7.70	CONTROL
59-61	Y (8 CYL.) (EXC. DUAL 4BC, F.I.)	1116163	1	6.35	CONTROL
62	Y (EXC. SP. H/PER., F.I.)	1116163	1	6.35	CONTROL
63	Y (8 CYL.)	1116163	1	6.35	CONTROL

CHASSIS WIRING-LAMPS

2.410 CONTROL-SWITCH, Distributor Vacuum (Con't)					
64-67	Y (327) W/SP. H/PER., F.I.	1116236	1	7.75	CONTROL(W/1111060-62-63-64-69-70-85-86-87-88-119-125-156-157-198)
64	Y (8 CYL.) (EXC. SP. H/PER., F.I.)	1116163	1	6.35	CONTROL
65	Y (327) (EXC. SP. H/PER., F.I.)	1115357	1	7.05	CONTROL
65	Y (396) W/SP. H/PER., T. IGN.	1116163	1	6.35	CONTROL
65-66	Y (396, 427) W/SP. H/PER.	1115360	1	8.10	CONTROL
66-68	Y (327) W/A.I.R. (EXC. SP. H/PER., P.G.)	1115355	1	7.70	CONTROL
66-67	Y (427) (EXC. SP. H/PER., A.I.R.)	1115355	1	7.70	CONTROL(W/1111100-12-17-40-41-42-53-94-1257-1481-1499-1949-50)
67-69	Y (427) (CHAIN DRIVE CAM W/H.D.)	1115373	1	7.30	CONTROL (W/1111240-1295-1927)
67-68	Y (427) W/4BC	1115360	1	8.10	CONTROL
69-70	Y (350) (EXC. H/PER., SP. H/PER.)	1115357	1	7.05	CONTROL(W/1111109-37-73-75-76-98-109-120-126-137-1482-88-89-90-2020)
69	Y (350) W/T. IGN.	1116163	1	6.35	CONTROL
69	Y (350, 427) W/H/PER.	1115360	1	8.10	CONTROL
69	Y (427) W/SP. H/PER.	1116163	1	6.35	CONTROL
70	Y (350) W/H/PER.	1115360	1	8.10	CONTROL
70	Y (350) W/SP. H/PER.	1116163	1	6.35	CONTROL (W/1111491)
70	Y (454) W/H/PER.	1115360	1	8.10	CONTROL(W/1111093-1170-1247-48-1464-93-1926-1954-2021)
71-72	Y (350)	1973437	1	7.00	CONTROL (W/1112038-50)
71	Y (454) (EXC. SP. H/PER.)	1973436	1	7.45	CONTROL
72	Y (454)	1973436	1	7.45	CONTROL (W/1112051)
73-74	Y (350) (EXC. SP. H/PER.)	1973448	1	7.35	CONTROL (W/1112098)
73-74	Y (350) W/SP. H/PER.	1973448	1	7.45	CONTROL (W/1112150)
73-74	Y (454)	1116212	1	6.10	CONTROL (W/1112114)
75	Y	1973482	1	8.05	CONTROL
75	Y	1973517	1	9.15	CONTROL
76-77	Y (EXC. SP. H/PER., CALIF.)	1973517	1	9.15	CONTROL
76	Y (350) W/SP. H/PER., CALIF.	1973508	1	10.05	CONTROL (W/1112979)
76	Y W/A.T. (EXC. SP. H/PER., CALIF.)	1973482	1	8.05	CONTROL
76-77	Y W/SP. H/PER. OR CALIF.	1973577	1	10.40	CONTROL
78-79	Y (350) W/CALIF. (EXC. SP. H/PER.)	1973626	1	10.20	CONTROL
78-79	Y (350) W/SP. H/PER.	1973626	1	10.20	CONTROL
78	Y (350) W/M.T. (M20) (EXC. SP. H/PER.)	1973643	1	10.20	CONTROL
78	Y W/A.T. (EXC. CALIF., SP. H/PER.)	1973624	1	9.15	CONTROL
79	Y W/FED. (EXC. SP. H/PER.)	1973624	1	9.15	CONTROL
80	Y (305)	1973693	1	10.25	CONTROL
80	Y (350)	1973626	1	10.20	CONTROL
80	Y (350) W/ALT. (EXC. SP. H/PER.)	1973624	1	9.15	CONTROL
80	Y (350) W/A.T., SP. H/PER.)	1973644	1	9.30	CONTROL
80	Y (305)	25040055	1	13.10	SWITCH, THERMO VAC
80	Y (305)	25040054	1	23.30	SWITCH, THERMO VAC
2.420 TEE, Distributor Vacuum					
69	Y (427) W/3/2BC, M40, H/PER.	3752621	1	.53	TEE, SPARK CONT HOSE (3.278)
75-82	Y	10003294	1	.35	TEE, VAC HOSE (3/16 X 3/16 X 1/4)
2.447 BRACKET-CAPACITOR-CLIP-STRIKER-SWITCH, Stop Lamp					
69-76	Y	3952897	1	.54	BRACKET, SW
77-82	Y	378215	1	1.05	BRACKET, SW (3.885)
74-77	Y	3981558	1	4.10	CAPACITOR, SW (S.663)
77-81	Y	1381699	1	.45	CLIP, STOP LP SW
82	Y	1251368	1	.45	CLIP, STOP LP SW (TUBULAR)
69-77	Y (EXC. P.B.)	3974794	1	.54	STRIKER, SW
69-75	Y W/P.B.	378216	1	.75	STRIKER, SW
76-82	Y	378216	1	.75	STRIKER, BRK PED SW
58-79	Y (EXC. P.B., CRUISE CONT.)	1261219	1	1.55	SWITCH,
68	Y	1993446	1	22.05	SWITCH, W/LVR
77-80	Y W/CRUISE CONT.	9794882	1	N.L.	SWITCH,
80	Y W/A.T. (MV4, M33)	25504828	1	N.L.	SWITCH
81-82	Y W/A.T. (EXC. CRUISE CONT.)	25504828	1	N.L.	SWITCH,
81-82	Y W/A.T., CRUISE CONT	9794882	1	N.L.	SWITCH,

CHASSIS WIRING-LAMPS

2.459 ACTUATOR-PIN-PIVOT-PIVOT KIT-PLATE-ROD-SPRING-SWITCH , Headlamp Dimmer

NOTE 1: 1955-56 MODEL INITIAL INSTALLATION ALSO REQUIRES CONNECTOR 2962449.

77-82	Y W/T&T WHL.	7827028	1	3.20	ACTUATOR, DIMR SW ROD
78	Y (EXC. T&T WHL.)	7830384	1	2.95	PIN, STRG COL DIMR SW ACTR PIV
79-82	Y W/T&T WHL	7829787	1	2.95	PIN, DIMR SW ACTR PIVOT
79	Y (EXC. T&T WHL.)	7832881	1	N.L.	PIVOT, STRG COL SW ACTR
78	Y W/T&T WHL. (1ST DESIGN)	7833702	1	N.L.	PIVOT KIT, DIMR ACTR (THREADED PIVOT W/TAPPED HOUSING)
78	Y W/T&T WHL. (2ND DESIGN)	7833704	1	N.L.	PIVOT KIT, W/PIN, DIMR ACTR (PRESSED ON PIVOT PIN)
79-82	Y W/T&T WHL	7833283	1	9.55	PIVOT KIT, W/PIN DIMR ACTR
63-77	Y	344842	1	.64	PLATE, SW MT
77	Y (EXC. T&T WHL.)	7827145	1	3.70	ROD, DIMR SW ACTR
77	Y W/T&T WHL.	7827004	1	4.45	ROD, DIMR SW ACTR
77	Y W/T&T WHL.	7829984	1	7.00	ROD, DIMR SW
78	Y (EXC. T&T WHL.)	7829831	1	3.70	ROD, DIMR SW
78	Y (EXC. T&T WHL.)	7829836	1	4.45	ROD, DIMR SW ACTR
78-82	Y W/T&T WHL.	7830222	1	2.60	ROD, DIMR SW
77-82	Y W/T&T WHL.	7828351	1	.81	SPRING, PIN PRELOAD DIMR SW
55-62	Y	1997023	1	11.90	SWITCH (2 HOLE MT FLANGE) (NOTE 1)
63-76	Y	1997043	1	N.L.	SWITCH
77-78	Y	7829781	1	20.30	SWITCH.
79-82	Y	7832411	1	17.70	SWITCH.

2.461 BUZZER, Headlamp Warning

75-76	Y	364080	1	20.25	BUZZER
79-82	Y W/HDLP WARNING	14004971	1	20.25	BUZZER, AUDIO ALARM AND LGT MINDER

2.480 BRACKET-CLIP-EXTENSION-GROMMET-HARNESS-MODULE-WIRE, Chassis Wiring

NOTE 1: WHEN USING 6297660 IN PLACE OF 6297583, USE CONNECTOR ON CLUTCH SAFETY SWITCH LEAD OF 6297583 IN PLACE OF CONNECTOR SAME LEAD ON 6297660.

NOTE 2: USED ON VEHICLES HAVING A NYLON TUBE TO OIL GAGE.

NOTE 3: MAKE JUMPER WIRE FOR R.H. HORN.

NOTE 4: COURTESY LP TIMER MTD. BEHIND INST. PNL. AND LEFT OF STRG. COL.

NOTE 5: COURTESY LP TIMER MTD. BEHIND INST. PNL. AND RIGHT OF THE GLOVE BOX.

NOTE 6: ANTI-THEFT SWITCH MOUNTED IN FENDER.

NOTE 7: ANTI-THEFT SWITCH MOUNTED IN DOOR LOCK.

NOTE 8: SALVAGE IGNIT SWITCH LP & BRKT FROM OLD HARN OR MAKE NEW BRACKET & INSTALL ON NEW HARN.

82	Y	14043271	1	.31	BRACKET, I/P WRG HARN
80	Y W/FED	356298	1	.67	CLIP, I/P WRG HARN (2.559)
64-66	Y	2987617	2	15.00	EXTENSION, HDLP HARN(MAIN WRG)
68-75	Y	3919057	2	.36	GROMMET (MAIN WRG)(9.775)
58-62	Y	2970213	1	11.75	HARNESS, REG TO GEN (CVR 11 O.L.) (SEGMENTED)
58-62	Y	2980982	1	219.00	HARNESS (CVR 148 O.L.) (W/JUNC BLK) (FWD LP & INST CSTR) (SEGMENTED)
63-65	Y	2983580	1	60.00	HARNESS, HDLP(SEGMENTED)
63	Y	2983972	1	351.00	HARNESS, I/P WRG (NOTE 8)
65-66	Y	2988869	1	351.00	HARNESS, I/P WRG
66	Y	6289375	1	84.25	HARNESS (MAIN WRG)
67	Y	6291166	1	351.00	HARNESS, I/P WRG
67	Y	6292088	1	112.00	HARNESS (MAIN WRG)
70-71	Y	8901918	1	220.00	HARNESS (MAIN WRG) (NOTE 3)
70-74	Y W/ELEC WDO	8901971	1	84.00	HARNESS, WDO REG (SEGMENTED) (13.090)
71-73	Y W/A.C.	8908175	1	435.00	HARNESS, I/P WRG
72-73	Y	8908264	1	191.00	HARNESS (MAIN WRG)
73	Y W/A.C.	8908341	1	435.00	HARNESS, I/P WRG (NOTE 2)
74	Y W/A.C.	8908357	1	435.00	HARNESS, I/P WRG
75	Y	8908472	1	220.00	HARNESS (MAIN WRG)
75	Y W/A.T.	12001865	1	394.00	HARNESS, I/P WRG
75	Y W/ELEC WDO	12003664	1	125.00	HARNESS, WDO REG (SEGMENTED) (13.090)
76	Y	8916198	1	224.00	HARNESS (MAIN WRG)
76	Y W/A.T.	8916199	1	353.00	HARNESS, I/P WRG
76	Y W/M.T.	8916200	1	353.00	HARNESS, I/P WRG
77	Y (1ST DESIGN)	8916431	1	224.00	HARNESS, FWD LP WRG (MAIN WRG) (NOTE 6)
77	Y (1ST DESIGN)	12003773	1	353.00	HARNESS (SEGMENTED) (NOTE 6)
77	Y (2ND DESIGN)	12005302	1	202.00	HARNESS, FWD LP WRG (MAIN WRG) (NOTE 7)
77	Y (2ND DESIGN)	12005303	1	353.00	HARNESS (SEGMENTED) (NOTE 7)

CHASSIS WIRING-LAMPS

2.480 BRACKET-CLIP-EXTENSION-GROMMET-HARNESS-MODULE-WIRE, Chassis Wiring (Con't)

78	Y	12005321	1	352.00	HARNESS, I/P WRG (NOTE 4)
78-79	Y	12005527	1	224.00	HARNESS, GEN & FWD LP(MAIN WRG)
78	Y	12005560	1	353.00	HARNESS, I/P WRG (NOTE 5)
79	Y (EXC PWR DR LKS, PWR WIND, DELAY DOME LPS PULSE WPRS)	12005800	1	372.00	HARNESS, I/P WRG
79	Y W/PWR DR LKS, ELEC WDO, DELAY DOME LPS,	12005741	1	372.00	HARNESS, I/P WRG PULSE WPR
80	Y W/A.T. (MV4, M33)	12005831	1	397.00	HARNESS, I/P
80	Y W/M.T. (M18)	12005830	1	427.00	HARNESS, I/P
80	Y (305) W/CLSD LOOP	12005836	1	125.00	HARNESS, I/P WRG
80	Y (305) W/CLSD LOOP	12005895	1	132.00	HARNESS, CLOSED LOOP ENG COMPT (MAIN WRG)
80	Y (305) W/CLSD LOOP	12005896	1	381.00	HARNESS, CLOSED LOOP I/P(MAIN WRG)
81	Y W/A.T. (MX3)	12018463	1	427.00	HARNESS, I/P
81	Y W/CLSD LOOP	12016302	1	397.00	HARNESS, CLOSED LOOP I/P(MAIN WRG)
81	Y W/CLSD LOOP	12016304	1	178.00	HARNESS, CLOSED LOOP ENG COMPT (MAIN WRG)
81	Y W/M.T. (M18), CLSD LOOP	12016303	1	397.00	HARNESS, CLOSED LOOP I/P(MAIN WRG)
81	Y W/M.T. (M18)	12016388	1	389.00	HARNESS, I/P
82	Y	12016888	1	375.00	HARNESS, ELEK CONT MDL
82	Y W/A.T. (MD8)	12016716	1	596.00	HARNESS, I/P
82	Y W/A.T. (MD8), FEC, CANIF	12027103	1	624.00	HARNESS, I/P WRG
82	Y W/STEREO, C.B.	12016405	1	224.00	HARNESS, GEN & FWD LP
82	Y (EXPORT, CANADA)	12016876	1		HARNESS, I/P
79-80	Y	470354	1	3.10	MODULE, DM LP JPR(MAIN WRG)
73-79	Y	12007925	1	6.45	WIRE, BRK COMB VLV JPR ADAP (MAIN WRG)
78	Y W/DELAYED DOME LP (1ST DESIGN)	12005388	1	23.55	WIRE, CTSY LP DELAY TIMER (MAIN WRG) (NOTE 4)
78	Y W/DELAYED DOME LP (2ND DESIGN)	12005534	1	23.55	WIRE, CTSY LP DELAY TIMER (MAIN WRG) (NOTE 5)
80-81	Y	12005893	1	5.40	WIRE, OIL PRESS SENDER(MAIN WRG)
80-82	Y W/STEREO (UM2, UN3, UM4, UM5, UM6, UN5)	12005917	1	55.25	WIRE, BAT CHR G CIRC(MAIN WRG)
80-81	Y W/STEREO (UM2, UN3, U58, CB, U69)	12016015	1	225.00	WIRE, GEN & FWD LP WRG(MAIN WRG)
80	Y (350) W/SP H/PERF	12005891	1	46.50	WIRE, STARTER MTR SOL JPR (MAIN WRG)
81	Y	12016355	1	38.00	WIRE, ANTI THEFT DISARM DR LK JPR I/P WRG

2.483 PLATE, Instrument Panel Harness

80-82	Y W/STEREO (UM2, UM4, UM5, UM6, UN3, UN5)	14020018	1	54	PLATE, ELEC WRG JCT BLK
-------	---	----------	---	----	-------------------------

2.485 BREAKER-STRAP-SWITCH, Headlamp

75	Y	2474055	1	3.30	BREAKER, ELEC WDO REG MTR CIRC
68-77	Y	3928779	1	.35	STRAP, LIGHT SW GROUND
53-55	Y (6 VOLT)	1995041	1	70.85	SWITCH, SNAP-ON TERM (LESS FUSE)
55-57	Y (12 VOLT)	1995082	1	46.90	SWITCH
58-62	Y	1995096	1	25.20	SWITCH
64-67	Y	1995179	1	N.L.	SWITCH
68-77	Y	1995191	1	N.L.	SWITCH
78-82	Y	1995216	1	33.60	SWITCH

2.486 ROD, Headlamp Switch

68-71	Y	3961512	1	2.15	ROD
72-76	Y	3920884	1	2.85	ROD
77	Y	3961512	1	2.15	ROD
78-80	Y	489098	1	1.90	ROD
81-82	Y	14032060	1	1.90	ROD

2.487 BEZEL-FERRULE-NUT, Headlamp Switch

68-77	Y	3951226	1	1.55	BEZEL, LIGHTS
78-82	Y	473225	1	1.70	BEZEL
61-62	Y	1959820	1	.78	FERRULE
68-82	Y	3916710	1	.98	NUT, LGT SW ROD

2.500 REGULATOR-SCREW, Voltage

NOTE 1: LIST PRICE SHOWN DOES NOT INCLUDE EXCHANGE CHARGE. REFER TO DEALER PARTS PRICE SCHEDULE FOR EXCHANGE PRICE.

CHASSIS WIRING-LAMPS

2.500 REGULATOR-SCREW, Voltage (Con't)

NOTE 2: ALSO USED W/1105947 LOW CUT-IN GENERATOR.

NOTE 3: WHEN USING ON MODELS WITH 348 ENGINE, IT WILL BE NECESSARY TO USE 1944355 GROMMET IN LOWER ATTACHING HOLE.

63-64	Y	1119515	1	N.L.	REGULATOR
65-66	Y W/SP. H/PER. A.C. (EXC. 62 AMP., T. IGN.)	1119515	1	N.L.	REGULATOR.
65	Y W/T. IGN., A.C. (EXC. 62 AMP.)	1116378	1	107.85	REGULATOR (EXCHANGE ITEM) (NOTE 1)
67-68	Y	1119515	1	N.L.	REGULATOR
69	Y	1116387	1	N.L.	REGULATOR (W/1100825-33-59-82)
70-82	Y	1116387	1	N.L.	REGULATOR.
64-75	Y	3876129	AR	.35	SCREW, VOLTAGE AND CURRENT REG

2.510 TRANSISTOR, Voltage and Glow Plug

65-66	Y W/T. IGN., A.C. (EXC. 62 AMP., F.I.)	1960632	1	44.55	TRANSISTOR
67-72	Y W/T. IGN.	1960632	1	44.55	TRANSISTOR

2.515 AMMETER-GAGE-WASHER, Instrument Panel

63	Y	1502578	1	41.45	AMMETER
64	Y	1502876	1	41.35	AMMETER
65-67	Y	1503035	1	14.45	AMMETER
68-74	Y	6473859	1	24.70	GAGE, AMMETER
75-76	Y	6474268	1	20.70	GAGE, AMMETER
76	Y	6474343	1	23.90	GAGE, W/RES. VOLT
77	Y	6474366	1	18.25	GAGE, W/RES. VOLT
78-82	Y	6474610	1	20.10	GAGE, VOLT
82	Y	6455751	1	.20	WASHER, GAGE MT (3.108)

2.525 HARNESS-WIRE, Engine Wiring

NOTE 1: USED ON VEHICLES HAVING A NYLON TUBE TO OIL GAGE.

NOTE 2: ANTI-THEFT SWITCH MOUNTED IN FENDER.

NOTE 3: ANTI-THEFT SWITCH MOUNTED IN DOOR LOCK.

58-62	Y (EXC. P.G.)	2971440	1	31.25	HARNESS
63-65	Y (EXC. C.A.C., 396)	2983579	1	57.25	HARNESS
66	Y	6289375	1	84.25	HARNESS (2.480)
67	Y	6292088	1	112.00	HARNESS (2.480)
72	Y (350) W/M.T.	8901983	1	108.00	HARNESS
73	Y (350) W/4-SPD.	8908244	1	108.00	HARNESS (NOTE 1)
74	Y (350) W/A.T.	8908343	1	133.00	HARNESS
76	Y	8916198	1	178.00	HARNESS
77-78	Y (2ND DESIGN)	12005308	1	43.25	HARNESS, START MTR JPR (NOTE 3)
77	Y (1ST DESIGN)	8918429	1	108.00	HARNESS, (NOTE 2)
77-78	Y (2ND DESIGN 1977)	12005376	1	136.00	HARNESS, (NOTE 3)
79	Y	12005528	1	69.75	HARNESS
80	Y W/A.T. (MV4)	12005835	1	99.50	HARNESS, ENG WRG
80	Y W/M.T. (M18), A.T. (M33)	12005836	1	125.00	HARNESS, ENG WRG
81	Y W/A.T. (MX3)	12016007	1	202.00	HARNESS, ENG & A/C
81	Y W/M.T. (M18)	12016006	1	245.00	HARNESS, ENG WRG
82	Y W/A.T. (MD8)	12016404	1	181.00	HARNESS, ENG & A.C.
79-80	Y (EXC. SP. H/PER.)	12005529	1	37.00	WIRE, START MTR SOL JPR
79-80	Y W/SP. H/PER., A.C.	12005562	1	91.50	WIRE, START MTR SOL JPR
80	Y	12005842	1	13.25	WIRE, GEN JPR
80	Y	12017795	1	11.55	WIRE, ENG COOL FAN JPR
81-82	Y	12028586	1	56.50	WIRE, START MTR SOL

2.530 CONDUIT-CONNECTOR-REPAIR KIT-TERMINAL, Chassis Electrical

NOTE: FOR ILLUSTRATION ON TERMINALS AND CONNECTORS SEE STANDARD PARTS CATALOG.

53-82	Y	8919354	1	15.55	CONDUIT (15 FT. X .350 I.D.)
53-82	Y	8919355	1	19.25	CONDUIT (15 FT. X .500 I.D.) (CUT TO FIT)
53-82	Y	8919356	1	29.50	CONDUIT (15 FT. X .750 I.D.)
53-79	Y	2984570	AR	1.15	CONNECTOR, BODY (4-CONTACT)
53-79	Y	2984958	AR	1.65	CONNECTOR, BODY (3-CONTACT)
53-82	Y	12020132	AR	3.15	CONNECTOR, FUEL SOLENOID (TYPE 7 MALE)
58-63	Y	2973871	1	.55	CONNECTOR, LIGHT SW, 56 SERIES (7 FEMALE TERMINALS)
65	Y (396) W/SP. H/PER.	2984528	1	.45	CONNECTOR, IGN SW LEAD OF I/P HARN
67-76	Y W/ELEC. WDO.	6288909	2	.52	CONNECTOR, WDO WIRING HARN
68-77	Y	3927320	1	.62	CONNECTOR, STOP LP SW CAPAC
73-77	Y W/A.C.	2977253	1	.22	CONNECTOR, WIRING HARN (1 FEMALE TERMINAL)
74-82	Y	8900826	1	.96	CONNECTOR, SEAT LAP BELT WIRE
75-78	Y	2984528	1	.45	CONNECTOR, SEAT SEP COMPT LP SW (56 SERIES-1 MALE TERMINAL)

CHASSIS WIRING-LAMPS

2.530 CONDUIT-CONNECTOR-REPAIR KIT-TERMINAL, Chassis Electrical (Con't)

77-80	Y	2977048	1	30	CONNECTOR, ANTI-THEFT SW (ANTI-THEFT SWITCH MOUNTED IN DOOR) (USE W/475924)
78	Y W/ELEC. DR. LKS.	2984883	1	58	CONNECTOR, INR WIRING HARN
79-82	Y W/ILLUM. VAN. (D64)	2984883	1	58	CONNECTOR, I/P WIRING HARN VAN MIR WIRE
75-79	Y	1884873	AR	42.50	REPAIR KIT, ALUM WIRE THERM REPAIR (EMER)
82	Y	1884873	AR	42.50	REPAIR KIT, ALUM WIRE THERM REPAIR (EMER)
65-67	Y	5640018	AR	33	TERMINAL, INST CSTR GROUND TERM
67	Y W/T. IGN.	2971982	1	17	TERMINAL, IGN SW TO IGN PULSE AMPLIFIER HARN (MALE) (USED W/12 GAGE WIRE)
70-76	Y	5640018	1	33	TERMINAL (39/64 O.L.)
74-76	Y	2973324	1	39	TERMINAL, DOME LP WIRE
75-79	Y W/A.C.	3033932	1	1.10	TERMINAL, BLO MTR
77-82	Y	3033932	1	1.10	TERMINAL, BLO GRD

2.559 BRACKET-CLIP-COVER-NUT -SHIELD-STRAP, Chassis Wiring Harness

75-76	Y	495169	2	30	BRACKET, VAC HOSE RET TO RKR CVR
79	Y	495169	AR	30	BRACKET, WIRE VLV CVR
81	Y	14032056	1	.63	BRACKET, START MTR SOL JPR WIRE
82	Y	14047168	1	.63	BRACKET, START MTR SOL JPR WIRE
53-82	Y	6270410	1	.38	CLIP, TUBE (.700-HOLE .344 ID-PH-RUB CTD)
64-82	Y	340818	AR	.25	CLIP, A/C EVAP OTLT HOSE (CLOSED TYPE)
65-80	Y	9798433	AR	.44	CLIP, HDLP, ENG WRG, GEN AND FWD LP
68-72	Y	3927327	1	.44	CLIP, WDO REG WRG HARN CLIP, FUEL TANK MTR WRG
71-77	Y	9798433	AR	.44	CLIP, WRG HARN TO CNSL, A/C WRG HARN
74-79	Y	339856	AR	.30	CLIP, CLOSED (3/4 X 11/32 HOLE) (PHOS RUB)
74-77	Y	3833476	1	.44	CLIP, I/P WRG HARN TO PARK BRAKE
76-78	Y	3866187	1	.44	CLIP, I/P WIRE HARN TO PARK BRK BRKT
76-79	Y	3954218	AR	.57	CLIP, PARK LP WIRE
77-82	Y	3901794	3	.54	CLIP, ENG WRG HARN TO DASH
77-82	Y (EXC H/PER.)	3901794	1	.54	CLIP, START MTR SOL JPR WIRE
78	Y	527861	2	.44	CLIP, A/C WRG HARN TO MOD DUCT
78-80	Y	9798835	2	.38	CLIP, I/P WRG HARN
78-79	Y W/M.T. (M20) (EXC. SP. H/PER.)	368017	AR	.44	CLIP, ENG WRG HARN
79-81	Y W/M.T. (M18, M20, M21)	3901794	1	.54	CLIP, I/P WRG HARN TO PLNM
80	Y W/CLSD LOOP	3825416	1	1.15	CLIP, I/P WRG HARN
81-82	Y	3825416	1	1.15	CLIP, I/P WRG HARN
82	Y	570204	AR	1.20	CLIP, S TYPE (3/8 & 5/16 WIRE .08 THK PNL PC)
82	Y	2281863	AR	.18	CLIP, OPEN 3/4 CABLE, 13/32 ATCH HOLE, ZC PLTD, RUB CTD, WIRE HARN ATTACH
82	Y	3901794	1	.54	CLIP, I/P WRG HARN
82	Y	14043252	1	.35	CLIP, ELEK CONT MDL HARN
82	Y W/FED, CALIF	342876	AR	.36	CLIP, ELEC CONT MDL HARN (7.346)
82	Y	14043253	1	1.25	COVER, ELEC CONT MODULE WRG
78-82	Y	10010594	1	1.05	NUT (M16 X 1-6H)(BRASS)(9.242)
77-78	Y (350) (EXC. SP. H/PER.)	6258203	1	1.30	SHIELD, ENG WIRE HARN
80	Y W/STEREO (UM2, UN3)	14020100	1	4.05	SHIELD, BAT CHR G CIRC WIRE
81-82	Y W/STEREO (UM4, UM5, UM6, UN5)	14020100	1	4.05	SHIELD, BAT CHR G CIRC WIRE
73-77	Y	3818659	1	.58	STRAP, WRG HARN
82	Y	3818659	AR	.58	STRAP, PLASTIC 7" ADJUSTABLE

2.575 BEZEL-BUTTON-CLIP-FLASHER-KNOB-LAMP-LEVER-NUT-SHIELD-SOCKET-SPRING-SWITCH, Side Marker and Hazard Flasher

NOTE: IT IS NECESSARY TO CAREFULLY CHECK THE PARTS CATALOGS FOR CORRECT MODEL APPLICATION WHEN REPLACING LAMP SOCKET ASSEMBLIES. IF INCORRECT SOCKETS ARE USED FOR REPLACEMENT, THE BULB FILAMENT WILL BE IN THE WRONG LOCATION WITH RESPECT TO THE LENS AND/OR REFLECTOR. AS A RESULT, THE LAMP MAY FAIL TO MEET THE REQUIRED LIGHTING STANDARDS.

NOTE 1: 3 PIECE CONSISTS OF: 556741 KNOB, 556742 BUTTON & 556743 SPRING, PAINT AS REQ'D.

CHASSIS WIRING-LAMPS

2.575 BEZEL-BUTTON-CLIP-FLASHER-KNOB-LAMP-LEVER-NUT-SHIELD-SOCKET-SPRING-SWITCH, Side Marker and Hazard Flasher (Con't)

NOTE 2: ROUND BASE W/LK TABS & W/1 BLACK-1 BROWN CABLE, 18 GA, APPROX. 11.0 LG. P/N 6294015 MLDG ON GRIP.

NOTE 3: ROUND BASE 90 DEGREE APPROACH W/BRN & BLA CABLES 10.30 LONG-GRA SOC IDENT.

NOTE 4: WHEN USING IN PLACE OF OLD LAMPS IT MAY BE NECESSARY TO ENLARGE MOUNTING HOLES AND USE P/N 8797130 NUTS AS REQ'D TO INSTALL LAMPS.

NOTE 5: ROUND BASE W/BLA & BRN CABLES 9.8 LONG-P/N 8901283 STAMPED ON SOCKET.

NOTE 6: ROUND BASE W/BLA & BRN CABLES 10.0 LONG-CREAM LP SOC IDENT.

68	Y	3927459	2	2.35	BEZEL, RR QTR SI MARKER LP
77-82	Y (2ND DESIGN-1977)	556742	1	.35	BUTTON, HAZARD WARNING SW (NOTE 1)
68-81	Y	3961553	4	.21	CLIP, BODY WRG HARN
66-82	Y	491391	1	3.15	FLASHER, HAZARD LP
67-72	Y (EXC. T.W., TEL. WHL.)	411525	1	.97	KNOB, TRAFFIC HAZARD WARNING (1 PIECE)
69-72	Y W/T.W., TEL. WHL.	411525	1	.97	KNOB, TRAFFIC HAZARD WARNING (1 PIECE)
73-77	Y (1ST DESIGN)	411525	1	.97	KNOB, TRAFFIC HAZARD WARNING (1 PIECE)
77-82	Y (2ND DESIGN-1977)	22507977	1	.33	KNOB, TRAFFIC HAZARD WARNING SW (NOTE 1)
68	Y	916581	2	9.45	LAMP, FRT FDR MKR
68-69	Y	916632	2	9.45	LAMP, RR QTR MKR
69	Y	911045	2	9.45	LAMP, FRT FDR SI MKR
70-73	Y	3973639	LH	13.95	LAMP, FRT FDR SI MKR
70-73	Y	3973640	RH	13.95	LAMP, FRT FDR SI MKR
70-73	Y	3973653	LH	13.95	LAMP, RR QTR SI MKR
70-73	Y	3973654	RH	13.95	LAMP, RR QTR SI MKR
74-79	Y	362955	LH	8.50	LAMP, FRT FDR SI MKR (NOTE 4)
74-79	Y	362956	RH	8.50	LAMP, FRT FDR SI MKR (NOTE 4)
74-82	Y	362957	LH	8.50	LAMP, RR QTR SI MKR (SERV SOC 6298886) (NOTE 4)
74-82	Y	362958	RH	8.50	LAMP, RR QTR SI MKR (SERV SOC 6298886) (NOTE 4)
74-78	Y W/T.W., TEL. WHL.	7814336	1	1.65	LEVER, STRG COL HAZARD SW
74-82	Y	8797130	AR	.38	NUT, SI MKR LP RET (SELF-THREAD FOR .330 STUD)
80-82	Y	14016167	2	.78	SHIELD, FRT SI MKR LP SPH
73-80	Y	8901283	AR	3.60	SOCKET, W/CABLE, SI MKR LP (NOTE 5)
73-81	Y	8912750	AR	6.10	SOCKET, W/CABLE, SI MKR LP (NOTE 6)
75-78	Y	12001470	AR	13.20	SOCKET, W/CABLE, SI MKR LP (2.714) (NOTE 3)
77-82	Y (2ND DESIGN-1977)	556743	1	.25	SPRING, HAZARD WARNING SW KNOB (NOTE 1)
67-68	Y	5698520	1	43.00	SWITCH, DIR SIG AND TRAFFIC HAZARD (BOYNE) (2.895)
69-75	Y (EXC. T.W., TEL. WHL.)	1997988	1	32.40	SWITCH, DIR SIG AND TRAFFIC HAZARD (2.895)
69-75	Y W/T.W., TEL. WHL.	1893584	1	39.50	SWITCH, DIR SIG AND TRAFFIC HAZARD (2.895)

2.583 LENS, Lamp Monitor

68-71	Y	6294185	1	9.90	LENS, T/LAMP
68-71	Y	6294296	1	10.15	LENS, SIG INDICATOR
70-71	Y	5959740	2	1.25	LENS, PARK LP
70-71	Y	5960555	2	1.45	LENS

2.584 INSERT-SEAL, Lamp Monitor

70-71	Y	5959734	2	.87	INSERT, PARK LP FIBER OPTIC CONDUCTOR
68-71	Y	1818342	4	.50	SEAL, HDLP FIBER OPTIC CONDUCTOR CONN

2.585 LAMP, Parking, Turn Signal and Cornering

58-62	Y	898717	LH	47.00	LAMP
58-62	Y	898718	RH	47.00	LAMP
63-67	Y	910552	2	47.00	LAMP
68-69	Y	916785	2	41.25	LAMP
73-74	Y	925143	LH	31.00	LAMP
73-74	Y	925144	RH	31.00	LAMP
75-79	Y	912309	LH	31.00	LAMP
75-79	Y	912310	RH	31.00	LAMP
80-82	Y	914559	LH	30.00	LAMP (SERV SOC 12003757)
80-82	Y	914560	RH	30.00	LAMP (SERV SOC 12003757)

CHASSIS WIRING-LAMPS

2.585 LAMP, Parking, Turn Signal and Cornering (Con't)					
80-82 Y	914735 LH	26.25	LAMP, CORNERING & SI MKR (SERV SOC 6298886)		
80-82 Y	914736 RH	26.25	LAMP, CORNERING & SI MKR (SERV SOC 6298886)		
2.586 HOUSING-ORNAMENT, Parking, Turn Signal and Cornering Lamp					
70-72 Y	5964683 LH	130.00	HOUSING, DIR SIG, PARK RAD GRILLE OTR LP		
70-72 Y	5964684 RH	130.00	HOUSING, DIR SIG, PARK RAD GRILLE OTR LP		
80-82 Y	5936617 LH	4.25	ORNAMENT, CORNERING & SI MKR LP		
80-82 Y	5936618 RH	3.85	ORNAMENT, CORNERING & SI MKR LP		
2.587 SUPPORT, Parking Lamp					
63-67 Y	0819648 2	13.05	SUPPORT, PARK AND DIR SIG LP		
2.589 LENS, Parking, Turn Signal or Cornering Lamp					
53-62 Y	5936929 2	7.15	LENS (MOLDED F-57)		
63-67 Y	5954440 2	3.85	LENS (AMBER)		
68-69 Y	5960993 2	7.15	LENS, PARK AND DIR SIG		
70-71 Y	5962943 LH	7.15	LENS, PARK AND DIR SIG OTR LP HSG		
70-71 Y	5962944 RH	7.15	LENS, PARK AND DIR SIG OTR LP HSG		
72 Y	5965071 LH	7.15	LENS, DIR SIG, PARK RAD GRILLE OTR LP HSG		
72 Y	5965072 RH	7.15	LENS, DIR SIG, PARK RAD GRILLE OTR LP HSG		
2.593 DOOR, Parking Lamp					
53-62 Y	5933022 2	10.70	DOOR (2 1/8 I.D. X 2 5/8 O.D.)		
2.596 SOCKET-WIRE, Parking Lamp					
NOTE: IT IS NECESSARY TO CAREFULLY CHECK THE PARTS CATALOGS FOR CORRECT MODEL APPLICATION WHEN REPLACING LAMP SOCKET ASSEMBLIES. IF INCORRECT SOCKETS ARE USED FOR REPLACEMENT, THE BULB FILAMENT WILL BE IN THE WRONG LOCATION WITH RESPECT TO THE LENS AND/OR REFLECTOR. AS A RESULT, THE LAMP MAY FAIL TO MEET THE REQUIRED LIGHTING STANDARDS.					
NOTE 1: ANTI-THEFT SWITCH MOUNTED IN DOOR LOCK.					
NOTE 2: ANTI-THEFT SWITCH MOUNTED IN FENDER.					
NOTE 3: WHEN USING 8914822 IN PLACE OF 12005306 WIRE, ALSO USE 1-8917543 CONNECTOR.					
69-71 Y	8909518 AR	8.20	SOCKET, LP		
69-81 Y	8914822 AR	8.55	SOCKET, W/CABLE (TWIST LOCK-SOCKET) (GRAY-FOCAL LENGTH) PK & T/SIG LP (NOTE 3)		
69-78 Y	8914823 AR	8.55	SOCKET, W/CABLE (TWIST LOCK-SOCKET) (CREAM-FOCAL LENGTH)		
73-75 Y	8909518 2	8.20	SOCKET, LP		
80-82 Y	12003757 AR	17.10	SOCKET, W/CABLE, PK AND T/SIG LP (2.694)		
80-82 Y	12003758 2	11.55	SOCKET, W/CABLE, CORNERING LP (2.697)		
70-77 Y (1ST DESIGN 1977)	8901617 2	6.60	WIRE, PARK LP (NOTE 2)		
77-79 Y (2ND DESIGN 1977)	12005306 1	25.25	WIRE, PARK LP (NOTE 1)		
2.660 GASKET-NUT-RETAINER, Tail Lamp					
68-73 Y	5959850 AR	2.85	GASKET, TAIL STOP AND DIR SIG, BACK-UP LP		
75-82 Y	347923 8	.38	NUT, TAIL AND STOP MT ANCHOR		
75-79 Y	347922 4	2.40	RETAINER, TAIL AND STOP LP MT PNL		
80-82 Y	14011849 4	1.80	RETAINER, TAIL AND STOP LP MT PNL		
2.662 REINFORCEMENT, Tail Lamp Mounting					
75-76 Y	347921 4	1.15	REINFORCEMENT, MT PNL		
2.679 LAMP, Tail lamp					
NOTE 1: CENTER PORTION OF LENS IS CONICAL SHAPE.					
61-62 Y	899631 LH	41.75	LAMP, W/DIR SIG, INR		
61-62 Y	899632 RH	41.75	LAMP, W/DIR SIG, INR		
63-67 Y	910553 LH	41.75	LAMP, W/DIR SIG, OTR		
63-67 Y	910554 RH	41.75	LAMP, W/DIR SIG, OTR		
63-67 Y (EXC. BACK-UP LAMP)	910557 LH	39.50	LAMP, W/DIR SIG, INR		
63-67 Y (EXC. BACK-UP LAMP)	910558 RH	41.75	LAMP, W/DIR SIG, INR		
68 Y	916253 4	43.25	LAMP, TAIL, STOP AND DIR SIG		
70-71 Y	910388 2	43.25	LAMP, TAIL, STOP AND DIR OTR (NOTE 1)		
74 Y	897160 2	23.80	LAMP		
75-79 Y	897193 2	23.80	LAMP, RR COMB		

CHASSIS WIRING-LAMPS

2.679		LAMP, Tail lamp (Con't)				
80-82	Y	914031	2	23.10	LAMP, RR(SERV SOC 12013813)	
2.680		HOUSING-PANEL, Tail Lamp				
71-73	Y	5960549	1	28.25	HOUSING	
74	Y	345417	LH	14.05	PANEL, TAIL LP MT	
74	Y	345418	RH	14.05	PANEL, TAIL LP MT	
75-79	Y	461035	LH	17.70	PANEL, TAIL LP MT	
75-79	Y	461036	RH	17.70	PANEL, TAIL LP MT	
2.682		LENS, Tail Lamp				
<i>NOTE 1: CENTER PORTION OF LENS IS SPHERICAL SHAPE.</i>						
58-80	Y	5948772	2	31.00	LENS, OTR (GUIDE-RIC-58)	
61-67	Y	5954803	4	5.60	LENS	
68-69	Y	5959851	4	29.50	LENS, W/DIR SIG, TAIL AND STOP	
71-73	Y	(2NF, DESIGN)	2	29.25	LENS, W/DIR SIG, TAIL AND STOP (NOTE 1)	
2.684		GASKET, Tail Lamp Lens				
58-67	Y	5948748	AR	1.20	GASKET, INR STOP, DIR AND BACK UP LP (3 3/16 O.D.)	
68-73	Y	5959849	AR	2.85	GASKET, TAIL STOP AND DIR SIG, BACK-UP LP	
2.688		PLUG, Tail Lamp Mounting				
68-74	Y	4744981	2	.33	PLUG, TAIL AND STOP LP GROMMET HOLE, HOOD LK RELCEL	
2.689		BEZEL, Tail Lamp Lens				
58-60	Y	5949740	2	13.40	BEZEL, REFLEX MKR	
2.694		PLUG-SOCKET, Tail Lamp				
<i>NOTE 1: ROUND BASE 90 DEGREE APPROACH W/BRN & BLA CABLES 10.30 LONG-GRA SOC IDENT.</i>						
<i>NOTE 2: ROUND BASE 90 DEG APPROACH W/LK TABS & W/3 LEAD CBL 18 GA WHITE, BROWN & BLACK, 10 IN. LG, BLACK AND GRAY BASE.</i>						
54-57	Y	2971074	1	1.75	PLUG, DOUBLE CONTACT	
53-73	Y	8909517	AR	9.80	SOCKET, W/CABLE, T/SIG, TAIL & STOP	
75-78	Y	12001470	AR	13.20	SOCKET, W/CABLE, RR LP (2.714) (NOTE 1)	
77-82	Y	12003759	AR	13.50	SOCKET, W/CABLE, RR COMB LP (NOTE 2)	
77-81	Y	12013813	2	12.60	SOCKET, TAIL, STOP AND DIR LP(2.596)	
2.697		GASKET-GROMMET-LAMP-LENS -SOCKET-WIRE, Back Up Lamp				
<i>NOTE: IT IS NECESSARY TO CAREFULLY CHECK THE PARTS CATALOGS FOR CORRECT MODEL APPLICATION WHEN REPLACING LAMP SOCKET ASSEMBLIES. IF INCORRECT SOCKETS ARE USED FOR REPLACEMENT, THE BULB FILAMENT WILL BE IN WRONG LOCATION WITH RESPECT TO THE LENS AND/OR REFLECTOR, AS A RESULT, THE LAMP MAY FAIL TO MEET THE REQUIRED LIGHTING STANDARDS.</i>						
<i>NOTE 1: ROUND BASE 90 DEGREE APPROACH W/BRN & BLA CABLES 10.30 LONG-GRA SOC IDENT.</i>						
<i>NOTE 2: ROUND BASE W/LT GRN & BLA CABLES, 10.0 LG, WHITE LP SOC IDENT.</i>						
68	Y	5958753	2	4.10	GASKET, LP MT	
68	Y	6437746	2	1.08	GROMMET, BACK-UP LP (4.197)	
63-66	Y	910427	LH	42.00	LAMP	
63-66	Y	910428	RH	42.00	LAMP	
69	Y	918782	2	43.25	LAMP	
70-73	Y	917512	2	43.25	LAMP	
74	Y	897169	2	23.80	LAMP	
75-79	Y	912040	2	23.80	LAMP	
80-82	Y	914037	2	23.10	LAMP	
63-66	Y	5948757	2	3.45	LENS (CLEAR PLASTIC)	
67	Y	5959241	LH	6.65	LENS	
67	Y	5959242	RH	6.65	LENS	
68	Y	5959873	2	6.65	LENS	
69	Y	5960972	2	19.10	LENS	
70-71	Y	5961332	2	19.10	LENS	
72-73	Y	5964434	2	19.10	LENS	
75-78	Y	12001470	AR	13.20	SOCKET, W/CABLE, B/U LP (2.714) (NOTE 1)	
80-81	Y	8909518	AR	8.20	SOCKET, W/CABLE, B/U LP (2.596) (NOTE 2)	
78	Y	W/M.T. (EXC. SP. H/PER.)	8916531	1	8.75	WIRE, SW JPR
2.698		BRACKET-CLIP-ROD-SCREW-SWITCH, Back Up Lamp				
65-73	Y	W/MUNCIE 4-SPD.	3884298	1	2.25	BRACKET, SW MT
74-81	Y	W/M.T. (4-SPD)	6258268	1	4.90	BRACKET, SW CONT

CHASSIS WIRING-LAMPS

2.698 BRACKET-CLIP-ROD-SCREW-SWITCH, Back Up Lamp (Con't)					
80-81	Y W/M.T.	3989067	1	.33	CLIP, BRG LP SW CONT, ROD (3.425)
68-74	Y W/4-SPD.	3923915	1	4.50	ROD, SW CONT
75-81	Y W/M.T.	6258267	1	3.30	ROD, SW CONT
53-82	Y	558888	AR	.25	SCREW, HEX (8-18 X .270 STL)
63-67	Y W/4-SPD.	1993666	1	22.30	SWITCH, LP
65-67	Y W/P.G.	1993411	1	41.65	SWITCH, W/NEU SAF LP (4.054)
68-72	Y W/A.T.	3949538	1	24.95	SWITCH, NEU SAF AND BACKING (4.054)
68-78	Y W/M.T.	1993430	1	29.45	SWITCH, BACKING
74-82	Y	470108	1	16.30	SWITCH, NEU SAF AND BACKING LP (4.054)
78	Y W/M.T. (350) (M20) (EXC. SP. H/PER.)	3938481	1	N.L.	SWITCH, LP
79	Y W/M.T.	1994218	1	29.45	SWITCH, LP
80-81	Y W/M.T. (M18)	1994220	1	30.15	SWITCH, LP
2.700 LAMP, Rear License Lamp					
63-67	Y	898005	1	31.75	LAMP
68-73	Y	911908	1	13.75	LAMP
74	Y	896794	2	5.55	LAMP
75-82	Y	912116	1	5.80	LAMP, LIC PLT
78-82	Y	912116	1	5.80	LAMP
2.708 SCREW, Rear License Lamp					
61-67	Y	5951011	4	.35	SCREW
2.709 LENS, Rear License Lamp					
61-67	Y	5951010	1	4.85	LENS
68-73	Y	5957401	1	4.85	LENS
2.714 SOCKET, Rear License Lamp					
NOTE 1: ROUND BASE 90 DEGREE APPROACH W/BRN & BLA CABLES 10.30 LONG-GRA SOC IDENT.					
NOTE 2: ROUND BASE W/LK TABS, W/1 BLA, 1 BRN CABLE, 18 GA, APPROX. 11.0 LG.					
75-78	Y	8918527	1	7.55	SOCKET
82	Y	12001470	AR	13.20	SOCKET, W/CABLE, LIC PLT LP (NOTE 1)
2.722 GASKET, Headlamp Body to Fender					
53-57	Y	3722121	2	1.40	GASKET (RUBBER)
2.725 CAPSULE, Headlamp					
NOTE: CAPSULES CONSISTS OF: MT RG, SEALBEAM, RET RING, AND RET RING SCREW.					
64-78	Y	5963837	RH	17.85	CAPSULE, INR
64-78	Y	5963838	LH	17.85	CAPSULE, INR
64-82	Y	5963839	LH	17.85	CAPSULE (OUTBOARD)
64-82	Y	5963840	RH	17.85	CAPSULE (OUTBOARD)
79-82	Y	5930743	RH	26.50	CAPSULE (INBOARD)
79-82	Y	5930744	LH	26.50	CAPSULE (INBOARD)
2.726 RING-SHIELD-SUB BODY, Headlamp					
53-55	Y	924535	2	6.50	RING, MT BODY, INR
56-57	Y	5947771	2	8.10	RING, MT BODY, INR
58-82	Y	5950500	RH	5.60	RING, MT, INR
58-63	Y	5950506	AR	5.60	RING, LH INR
58-82	Y	5950507	LH	5.60	RING, MT, OTR
68-82	Y	5950508	LH	5.60	RING, MT, INR
68-82	Y	5950513	RH	5.60	RING, OTR
68-72	Y	3966559	LH	5.35	SHIELD
68-72	Y	3966560	RH	5.35	SHIELD
58-62	Y	5948835	LH	38.75	SUB BODY, W/TENS SPR
58-62	Y	5948836	RH	38.75	SUB BODY, W/TENS SPR
2.727 SEALBEAM, Headlamp					
55-57	Y	5962548	2	N.L.	SEALBEAM (12 VOLT)
58-78	Y	5965416	2	N.L.	SEALBEAM, INR
58-82	Y (EXC QUARTZ HDLP)	5964800	2	N.L.	SEALBEAM (OUTBOARD)
79-82	Y	5930632	2	N.L.	SEALBEAM (INBOARD)
2.728 BEZEL-MOLDING, Headlamp					
68-82	Y	331817	LH	26.50	BEZEL
68-82	Y	331818	RH	26.50	BEZEL
58-60	Y	3742509	2	26.50	MOLDING (CHROME)
61-62	Y	3779239	2	26.00	MOLDING
63-67	Y	3845801	LH	26.50	MOLDING
63-67	Y	3845802	RH	26.50	MOLDING

CHASSIS WIRING-LAMPS

2.729 NUT-SCREW, Headlamp Mounting				
67-82	Y	347347	AR	.36 NUT, SPL ANC (NYLON)
67-82	Y	14013246	AR	.38 NUT (M4.2 DIA SCR M7.8 DIA HOLE)
73-82	Y	567325	AR	.38 NUT, HDLP DR TO FRT END PNL
63-71	Y	3834926	AR	.36 SCREW, HDLP AND MLDG ATTACH
2.731 RING, Headlamp Retaining				
53-65	Y (6 VOLT)	5952000	2	5.20 RING (ONE PC. CONST) (CHROME-7 3/16 O.D.-THREE ATTACH. EARS 1 1/16 WIDE)
56-67	Y	5948399	2	7.50 RING, W/REFL
58-82	Y	5954892	4	3.30 RING,
2.736 NUT -SCREW, Headlamp Retaining Ring				
53-62	Y	3696396	AR	.36 NUT (NO. 10-12-J TYPE FOR GROUND)
58-82	Y	5966249	AR	.35 SCREW,
2.737 BRACKET-BRACKET KIT -SPRING, Headlamp Adjuster				
NOTE 1: 1ST DESIGN HAS CURVED TYPE LEG				
NOTE 2: 2ND DESIGN HAS SQUARED TYPE LEG.				
64-68	Y (1ST DESIGN)	5948813	8	.52 BRACKET (NOTE 1)
68-82	Y (2ND DESIGN)	5969752	8	.54 BRACKET (NOTE 2)
63	Y	5949838	AR	1.55 BRACKET KIT (ATTACH NUTS AND SCREWS)
64-82	Y	5949989	4	.72 SPRING
2.755 BRACKET-INSERT-RELAY-SWITCH, Concealed Headlamp Motor				
69-77	Y	3958714	1	.92 BRACKET, ACC DR MANUAL SW MT
78-82	Y	3922497	4	.31 INSERT, HSG ACTR RR LINK
68-82	Y	5638427	2	25.75 RELAY, ACTR
63-67	Y	3821864	2	4.85 SWITCH, LIMIT
63-67	Y	5716297	1	25.75 SWITCH, ACTR
69-77	Y	3951239	2	4.55 SWITCH, DR OPG WARNING
2.760 ACTUATOR-BRACKET-DISC-FILTER-GEAR-GROMMET-MOTOR-RETAINER-SCREW-SPRING-TANK-TEE-VALVE, Concealed Headlamp Control Drive				
63-82	Y	5638541	LH	56.25 ACTUATOR
68-62	Y	5638542	RH	56.25 ACTUATOR
72	Y	3840474	2	2.80 BRACKET, HDLP AND WSW VAC PIPE (8.857)
63-67	Y	4912266	2	1.58 DISC, ACTR HAND WHL (ALUMINUM)
68-82	Y	5638432	1	2.45 FILTER, AIR (CHECK VLV TYPE)
63-67	Y	4912262	2	26.30 GEAR, ACTR DRIVE
63-66	Y	4910180	2	.41 GROMMET, OPG MOTOR RET SPCR (10.152)
63-67	Y	5045374	RH	206.05 MOTOR, W/SUPT
63-67	Y	5045375	LH	206.05 MOTOR, W/SUPT
63-67	Y	3794287	2	.62 RETAINER, OPG MOTOR
63-66	Y	4906744	2	.12 SCREW, ACTR ARMATURE END PLAY SET (10.150)
63-66	Y	4913805	4	.73 SPRING, MOTOR BRUSH (10.150)
68-82	Y	3935516	2	.64 SPRING, HSG
80-82	Y	14011852	1	8.80 TANK, VAC RESV
82	Y	3992117	1	.86 TEE, HDLP VAC HOSE (9.198)
68-82	Y	3926296	1	3.30 VALVE, VAC RESV CHECK
68-82	Y	5638317	1	7.85 VALVE, ACTR
2.765 BEARING-BRACKET-BUSHING-CONNECTOR-GROMMET-LINK-PIN-PIVOT-ROD-SCREW-SLEEVE-SPRING-SPRING CLIP-STOP-STUD-SUPPORT-SUPPORT KIT-TERMINAL-WASHER, Concealed Headlamp Control Opening Cover				
63-67	Y	3825940	4	5.25 BEARING, PIVOT, SUPT
68-82	Y	382995	4	9.95 BEARING, W/RETS, OPG HSG
68-82	Y	3915687	1	7.85 BEARING, OPG HSG (LESS RET)
68-82	Y	3922499	2	1.70 BRACKET, HSG ACTR
68-82	Y	3915898	2	.46 BUSHING, HSG ACTR LINK (1/4 O.L.)
68-82	Y	3927674	2	.46 BUSHING, HSG ACTR LINK (1 3/4 O.L. 3/8 DIA.)
69-76	Y	3947949	2	2.35 CONNECTOR, VAC HOSE (2-HOSE)
73	Y	3750685	2	.48 CONNECTOR, VAC. HOSE (1/8-27 X 1 1/4 O.L.) (NOT THREADED)
68-76	Y	3934269	1	1.25 GROMMET, HDLP AND WSW VAC HOSE
68-82	Y	461162	2	7.05 LINK, HSG RR
68-82	Y	3953034	2	2.45 LINK, HSG FRT
68-82	Y	3926433	2	2.60 PIN, HSG ACTR FRT LVR

CHASSIS WIRING-LAMPS

2.765 BEARING-BRACKET-BUSHING-CONNECTOR-GROMMET-LINK-PIN-PIVOT-ROD-SCREW-SLEEVE-SPRING-SPRING CLIP-STOP-STUD-SUPPORT-SUPPORT KIT-TERMINAL-WASHER, Concealed Headlamp Control Opening Cover (Con't)

68-82 Y	3927672	2	.69	PIN, HSG ACTR RR LINK (2 1/2 O.L.)
68-82 Y	3927676	2	.58	PIN, HSG ACTR LVR
64-67 Y	3845789	LH	14.75	PIVOT, HSG OTR
64-67 Y	3845790	RH	14.75	PIVOT, HSG OTR
64-67 Y	3845791	LH	20.95	PIVOT, HSG INR
64-67 Y	3845792	RH	20.95	PIVOT, HSG INR
68-82 Y	3926351	LH	5.25	ROD, ACTR SUPT INR
68-82 Y	3926352	RH	5.25	ROD, ACTR SUPT INR
68-82 Y	3926353	LH	5.00	ROD, ACTR SUPT OTR
68-82 Y	3926354	RH	5.00	ROD, ACTR SUPT OTR
68-82 Y	3958887	2	6.80	ROD, ACTR LINK CLV
68-82 Y	3915899	2	1.35	SCREW, HSG ACTR LINK
68-77 Y	3918509	2	2.25	SCREW, HSG RR LINK ADJ
78-82 Y	473239	2	.42	SCREW, HSG RR LINK ADJ (5/16-18 X 2 1/2 CAD.)
68-82 Y	3922498	2	.53	SLEEVE, HDLP ACTR RR LINK
68-82 Y	3926434	2	.75	SPRING, HSG ACTR LINK
68-78 Y	9793032	AR	1.80	SPRING CLIP, STEEL (.312 X .468 CLEAR BLACK)
68-82 Y	3926235	4	.68	STOP, HSG BRG
63-67 Y	3825944	2	10.90	STUD, MOTOR SUPT
63-67 Y	3825355	LH	12.70	SUPPORT, PIVOT, INR
63-67 Y	3825356	RH	12.70	SUPPORT, PIVOT, INR
63-67 Y	3825357	2	7.15	SUPPORT, PIVOT, OTR
68-74 Y	6258533	LH	79.75	SUPPORT KIT, OPG ACTR
68-74 Y	6258534	RH	79.75	SUPPORT KIT, HDLP ACTR
75-82 Y	347889	LH	65.75	SUPPORT KIT, HDLP OPG ACTR
75-82 Y	347890	RH	65.75	SUPPORT KIT, HDLP OPG ACTR
69-78 Y	3934265	4	2.40	TERMINAL, VAC HOSE TO CONN
63-67 Y	6257691	4	1.05	WASHER, PIVOT BRG SEAL RET (2 1/4 O.D. 1 7/16 I.D. X 1/32 THK.) (5.543)

2.770 END-HOUSING-PLUG -SPACER, Concealed Headlamp Opening Cover

63-67 Y	3824829	LH	23.30	END, OTR
63-67 Y	3824830	RH	23.30	END, OTR
63-67 Y	3824833	LH	23.30	END, INR
63-67 Y	3824834	RH	23.30	END, INR
64-67 Y	3845787	LH	56.25	HOUSING
64-67 Y	3845788	RH	56.25	HOUSING
68 Y (1ST DESIGN)	3932936	LH	65.50	HOUSING
68 Y (1ST DESIGN)	3932936	RH	65.50	HOUSING
68-82 Y (2ND DESIGN)	3938116	LH	66.75	HOUSING
68-82 Y (2ND DESIGN)	3938116	RH	66.75	HOUSING
63-78 Y	4744981	4	.33	PLUG (15/16 PLASTIC)(12.491)
63-67 Y	3825346	2	2.50	SPACER, LP HSG

2.775 RETAINER-SCREW-SEAL-STOP, Headlamp Control

63-67 Y	3826160	4	.52	RETAINER, PIVOT BRG SEAL
63-67 Y	181567	4	.30	SCREW, OPG CVR PNL ADJ. (1/2-28 X 7/8 NYLON INSERT LK TYPE)
63-67 Y	3826148	4	.28	SEAL, OPG CVR PIVOT BRG (FELT-3/4 X 1 1/2 X 3/8 THK.)
63-67 Y	3826291	2	11.00	STOP, OPG CVR
68-69 Y	3958749	2	11.00	STOP, OPG CVR
70-82 Y	14018945	LH	2.55	STOP, OPG CVR
70-82 Y	14018946	RH	4.00	STOP, OPG CVR

2.810 HORN-SHIM, Warning

NOTE: ON SOME MODELS IT WILL BE NECESSARY TO USE THE MOUNTING BRACKET FROM THE REPLACED HORN AND ENLARGE THE HOSE TO 1 1/32 DIA., ALSO TO REWORK TRIUMPHET BY CUTTING 1/2" OFF END.

55-79 Y	1892163	1	N.L.	HORN, F NOTE
55-70 Y	1892164	1	N.L.	HORN, A NOTE
65-80 Y	1892162	1	N.L.	HORN, D NOTE
78-79 Y	1892164	1	N.L.	HORN, A NOTE
78-80 Y	1892246	1	N.L.	HORN, C NOTE
78-77 Y	1892247	1	23.35	HORN, F NOTE
81-82 Y (EXC U03 EXPORT)	1892164	1	N.L.	HORN, A NOTE
81-82 Y (EXC U03 EXPORT)	1892246	1	N.L.	HORN, C NOTE
67-82 Y W/T&T WHL	3910765	1	.44	SHIM, HORN BUTTON CAP

CHASSIS W "NG-LAMPS

2.815 RELAY-WIRE, Horn				
55-62	Y (12 VOLT)	1116781	1	9.70 RELAY
63-66	Y	1115824	1	15.40 RELAY
66-71	Y	1115889	1	12.95 RELAY, W/BUZZER
68-77	Y W/ANTI-THEFT	1115878	1	10.20 RELAY (2.195)
72-73	Y	3996283	1	11.55 RELAY
74-78	Y	344813	1	4.85 RELAY
74-82	Y	25513270	1	N.L. RELAY
82	Y	12021893	1	6.20 WIRE, HORN JPR

2.819 BUSHING-CAM-CONTACT-CUP-INSULATOR-RETAINER-RING-SCREW-SPRING-SUPPORT, Horn Button Blowing				
75-77	Y W/CUSTOM WHL (N31)	9754764	1	57 BUSHING, HORN BUTTON CAP ADAP
70-82	Y W/T&T WHL (N37)	7811996	1	8.55 CAM, STRG COL T/SIG CANC
67-82	Y	474102	1	1.80 CONTACT, W/EYELET AND SPRING
67	Y (EXC. TEL. WHL.)	3901330	1	8.35 CONTACT
67-82	Y W/T&T WHL (N37)	3947103	1	8.35 CONTACT, UPR
68	Y (EXC. TEL. WHL.)	3721046	1	8.35 CONTACT
69-75	Y (EXC. T.W., TEL. WHL.)	9751046	1	8.35 CONTACT
69-75	Y W/T.W., TEL. WHL.	3949105	1	6.45 CONTACT, LWR
76	Y	9753517	1	8.35 CONTACT, UPR (W/SPT. WHL)
76-82	Y W/T&T WHL (N37)	3994426	1	6.45 CONTACT, LWR
75-76	Y (EXC. T&T WHL. N37)	9748190	1	4.10 CUP, HORN BUTTON CAP
62	Y	768233	1	1.90 INSULATOR, CONTACT
68-70	Y	382117	1	.35 INSULATOR, CONTACT
71	Y	409190	1	.35 INSULATOR, CONTACT
71-73	Y W/SPORT WHL (N34)	9755872	1	2.05 INSULATOR, HORN BLO SPR
72	Y	382117	1	.35 INSULATOR, CONTACT
73-78	Y (EXC. T.W., TEL. WHL.)	409190	1	.35 INSULATOR, CONTACT
73-76	Y W/T.W., TEL. WHL.	382117	1	.35 INSULATOR, CONTACT
75-76	Y (EXC. T&T WHL.)	9755872	1	2.05 INSULATOR, CONTACT
79-82	Y	409190	1	.35 INSULATOR, CONTACT
70-82	Y W/T&T WHL (N37)	7808385	1	2.35 RETAINER, SNAP RING, HORN CONTACT CARR
76	Y W/CUSTOM WHL.	3994430	1	3.75 RETAINER, HORN BUTTON CAP
69-76	Y W/T.W., TEL. WHL.	5697735	1	1.65 RING, CARRIER LK
67-68	Y W/TEL. WHL.	3910764	3	.35 SCREW, HORN CONTACT (8-32 X 1 1/2)
69-82	Y W/T&T WHL. (N37)	3949107	3	.35 SCREW, CONTACT UPR
60-77	Y (EXC. T.W., TEL. WHL.)	9749363	1	1.70 SPRING, HORN BUTTON
72-82	Y	404234	1	.33 SPRING, HORN CONTACT
78	Y W/CUSTOM WHL (EXC. T&T WHL.)	9749363	1	1.70 SPRING, HORN CONTACT (BELLEVILLE)
76	Y W/T&T WHL.	9753107	1	13.75 SUPPORT, HORN CONTACT

2.820 CAP-EMBLEM-RETAINER, Horn Button				
63-64	Y	3899365	1	14.10 CAP
65-66	Y (EXC. TEL. WHL.)	3899365	1	14.10 CAP
67	Y	3899365	1	14.10 CAP
68	Y	3957946	1	14.10 CAP (PAINT TO MATCH)
69-76	Y (EXC. T.W., TEL. WHL.)	3957946	1	14.10 CAP (PAINT TO MATCH)
69-76	Y W/T.W., TEL. WHL.	3957952	1	14.10 CAP (BLACK)
76	Y (EXC. CUST. WHL.)	340379	1	4.05 CAP (SADDLE)
76-80	Y W/CUST WHL (EXC T&T WHL)			
76	Y W/CUST. WHL.	459003	1	4.00 CAP (BUCKSKIN)
77	Y (EXC. T&T WHL.)	3994425	1	5.90 CAP (BLACK)
77-81	Y W/T&T WHL.	458919	1	4.00 CAP (SMOKE GREY)
82	Y07	459082	1	6.50 CAP (PRIME FINISH)
82	Y87	9767514	1	41.75 CAP
82	Y87	459082	1	6.50 CAP (PRIME FINISH)
76-80	Y (EXC. T&T WHL.)	3994423	1	6.50 EMBLEM, BUTTON CAP
77	Y W/T&T WHL.	14020243	1	6.20 EMBLEM, BUTTON CAP
78	Y W/T&T WHL.	473082	1	6.20 EMBLEM, BUTTON CAP
79-81	Y W/T&T WHL.	14020243	1	6.20 EMBLEM, BUTTON CAP
82	Y07	9767693	1	7.75 EMBLEM, STRG WHL HORN CAP
82	Y87	14044504	1	6.20 EMBLEM, STRG WHL HORN CAP
76-80	Y (EXC. T&T WHL.)	329738	1	1.00 RETAINER, CAP
77-62	Y W/T&T WHL.	3946459	1	1.20 RETAINER, CAP

2.859 WIRE, Horn Lead				
82	Y	10024717	1	12.50 WIRE, HORN JPR

2.892 CLIP-FLASHER, Turn Signal Lamp				
65-68	Y (1ST DESIGN)	3986825	1	.38 CLIP, FLASHER
68-80	Y	3943610	1	.38 CLIP, T/SIG LP FLSHR
68	Y W/HORN ALARM SYSTEM	3986825	1	.38 CLIP, FLASHER
55-60	Y	491392	1	N.L. FLASHER (2 BULB) (ZN232)

CHASSIS WIRING-LAMPS

2.892 CLIP-FLASHER, Turn Signal Lamp (Con't)

61-65	Y (EXC BACK-UP LAMP)	491160	1	3.90	FLASHER (3 BULB) (STAT CO NO 143, 145, TUNG SOL NO 323, AP3734)
64-66	Y W/BACK-UP LAMP	491392	1	N.L.	FLASHER (2 BULB) (STAMPED LF224)
67-69	Y	491160	1	3.90	FLASHER (3 BULB) (STAT CO NO 145, TUNG SOL NO 323)
69-82	Y	491392	1	N.L.	FLASHER (2 BULB) (STAMPED LF224)

2.895 ARM-BEARING-CABLE COVER-LEVER-O RING-PLATE-SCREW-SPACER-SWITCH, Turn Signal Lamp

NOTE 1: 2ND DESIGN IDENT BY STRAIGHT TURN SIGNAL LEVER, WITH CORN LAMPS. 1ST DESIGN HAS BENT LEVER WITHOUT CORN LAMPS.

77	Y (EXC. T&T WHL.)	7826803	1	3.25	ARM, PIVOT
77-82	Y W/T&T WHL.	7827038	1	2.45	ARM, SIG SW
78	Y (EXC. T&T WHL.)	7827107	1	2.35	ARM, STRG COL SW ACTR
64-86	Y	5879206	1	N.L.	BEARING, CONT SW (6.521)
63-64	Y	3777469	1	2.45	CABLE, CONT SW
76	Y	7804558	1	2.80	CLIP, HORN WIRE PROTECTOR
74-76	Y W/TEL. WHL.	7814336	1	1.65	LEVER, HAZARD SW (2.575)
65-66	Y	483015	1	.58	O RING, CONT SW
64	Y (EXC. TEL. WHL.)	5955189	1	2.85	PLATE, CONT SW
65-67	Y (EXC. T.W., TEL. WHL.)	5957015	1	2.85	PLATE, CONT SW
65	Y W/TEL. WHL.	5957063	1	2.85	PLATE, ACTUATING
64-67	Y (EXC. T.W., TEL. WHL.)	3841575	1	.30	SCREW, CONT (10-32 X 1/2)
69	Y (EXC. T.W., TEL. WHL.)	7809128	1	.73	SCREW, SIG SW MT
70-82	Y	7809128	1	.73	SCREW, SIG SW MT
77	Y (EXC. T&T WHL.)	7825822	1	.81	SCREW, PIVOT ARM ATTACH.
77	Y (EXC. T&T WHL.)	7826172	1	.54	SPACER, SCREW
55-62	Y (12 VOLT)	5948173	1	30.50	SWITCH, W/WRG
63	Y	3824116	1	5.05	SWITCH
64-66	Y (EXC. T.W., TEL. WHL.)	310821	1	42.85	SWITCH
67-68	Y	5898520	1	43.00	SWITCH, DIR SIG AND TRAFFIC HAZARD (BOYNE)
69-79	Y (EXC. T.W., TEL. WHL.)	1997988	1	32.40	SWITCH, DIR SIG AND TRAFFIC HAZARD
69-78	Y W/T.W., TEL. WHL.	1893584	1	39.50	SWITCH, DIR SIG AND TRAFFIC HAZARD
76-79	Y W/T&T WHL. (1ST DESIGN 1979)	1997983	1	N.L.	SWITCH, DIR SIG AND TRAFFIC HAZARD (NOTE 1)
79-82	Y W/T&T WHL (2ND DESIGN 1979)	1997984	1	N.L.	SWITCH, DIR SIG AND TRAFFIC HAZARD (NOTE 1)

2.896 CAM-CAM CONVERSION KIT-SPRING, Turn Signal Switch Cancellling

67-68	Y (EXC. TEL. WHL.)	399292	1	1.35	CAM
67-68	Y W/TEL. WHL.	3901618	1	3.25	CAM
70-82	Y W/T&T WHL (N37)	7811996	1	8.55	CAM, STRG COL T/SIG CANCEL(2.819)
76-78	Y (EXC. T&T WHL.)	7812136	1	4.75	CAM
69-76	Y (EXC. T.W., TEL. WHL.)	7812210	1	4.75	CAM CONVERSION KIT, STRG COL TURN SIG CANCELLING
69-70	Y	1964784	RH	.16	SPRING, CANCELLING
89-70	Y	1964785	LH	.16	SPRING, CANCELLING
75-76	Y	1964784	RH	.16	SPRING, CANCELLING
75-82	Y	1964784	RH	.16	SPRING, T/SIG CANCEL
75-76	Y	1964785	LH	.16	SPRING, CANCELLING
75-82	Y	1964785	LH	.16	SPRING, T/SIG CANCELL
75-76	Y	1967685	1	.36	SPRING, LANE CHANGE
75-82	Y	1967685	1	.36	SPRING, LANE CHANGE

2.897 KNOB-LEVER, Turn Signal Control

NOTE 1: 1ST DESIGN LEVER SHAFT HAS A 30 DEGREE BEND TOWARD DRIVER, 2ND DESIGN LEVER HAS A STRAIGHT SHAFT.

53-63	Y	3782965	1	.76	KNOB, CONT LVR
53-62	Y	3783302	1	2.25	LEVER, CONT
64-66	Y (EXC. T.W.)	3854303	1	.95	LEVER, CONT
67	Y	3854303	1	.95	LEVER, CONT
67-68	Y (EXC. CRUISE CONT.)	3909580	1	1.55	LEVER, CONT
69-71	Y (EXC. T.W., TEL. WHL.)	3961517	1	1.50	LEVER, CONT
69-71	Y W/T.W., TEL. WHL.	3951240	1	2.35	LEVER, CONT
72-77	Y W/T.W., TEL. WHL.	3996243	1	4.05	LEVER, W/KNOB
73-76	Y (EXC. T.W., TEL. WHL.)	14006066	1	2.85	LEVER, W/KNOB
77	Y	459344	1	10.20	LEVER, W/KNOB, DIR SIG WSWA & DIM SW
78-79	Y (EXC. CRUISE CONT.)	475877	1	1.70	LEVER, W/KNOB

CHASSIS WIRING-LAMPS

2.897		KNOB-LEVER, Turn Signal Control		(Con't)	
78-79	Y W/CRUISE CONT. (EXC. T&T WHL.)	25030185	1	52.00	LEVER, W/SW, T/SIG AND CRUISE CONT & D/SW
78-79	Y W/CRUISE CONT., T&T WHL. (1ST DESIGN-1979)	25030522	1	50.00	LEVER, W/SW, T/SIG AND CRUISE CONT & D/SW (NOTE 1)
78-82	Y W/T&T WHL (EXC CRUISE CONT)	14009242	1	3.30	LEVER, W/KNOB, DIR SIG & D/SW CONT
79	Y W/CRUISE CONT, T&T WHL (2ND DESIGN)	25030492	1	39.75	LEVER, W/SW, T/SIG AND CRUISE CONT & D/SW (NOTE 1)
80	Y W/CRUISE CONT (K30), T&T WHL	25030492	1	39.75	LEVER, W/SW, T/SIG AND CRUISE CONT & D/SW
81-82	Y W/CRUISE CONT (K35)	25031169	1	41.40	LEVER, W/SW, T/SIG AND CRUISE CONT & D/SW

2.906		COVER-CUP-SCREW-SUPPORT, Turn Signal Switch			
69-77	Y (EXC. T.W., TEL. WHL.)	7804558	1	2.80	COVER, SIG SW AND HORN WIRE PROTR
69-78	Y W/T.W., TEL. WHL.	7805987	1	54.50	COVER, W/LOCK
69-82	Y W/T.W., TEL. WHL.	7833471	1	3.75	COVER, SIG SW AND HORN WIRE PROTR
77-78	Y (EXC. T&T WHL.)	7827561	1	4.55	COVER, SIG SW AND HORN WIRE PROTR
78	Y (EXC. TILT WHL.)	7804558	1	2.80	COVER, SIG SW AND HORN WIRE PROTR
71-78	Y	7804413	1	.89	CUP, STRG COL SIG SW HSG THRUST
69-79	Y (EXC. T.W., TEL. WHL.)	7808867	4	.42	SCREW, SIG SW HSG
69-71	Y W/T.W., TEL. WHL.	7807635	1	36.00	SUPPORT, SIG HSG (6.518)

MICROFICHE INDEX
GROUPS 0.000 THRU 2.000 & 21.000
FICHE 1 OF 6

<u>GROUP DESCRIPTION</u>	<u>STARTING GRID LOCATION</u>	
	<u>PARTS</u>	<u>ILLUSTRATIONS</u>
- INTRODUCTION	A-6	J-2
- GENERAL INFORMATION	A-2	J-2
- ALPHABETICAL INDEX	C-11	N.A.
- INDEX FOR ADDITIONAL INFORMATION	A-5	N.A.
0.000 ENGINE - CLUTCH	D-12	J-6
1.000 COOLING - GRILLE - OIL SYSTEM	E-11	K-15
2.000 CHASSIS WIRING - LAMPS	G-13	L-7
21.000 ACCESSORY REFERENCE LIST	D-9	N.A.
- OUT OF FICHE CALLS	N.A.	N-2

1-1

CHASSIS WIRING-LAMPS

SPARK PLUG WIRES

PLUG NO.1	PLUG NO.2	PLUG NO.3	PLUG NO.4	PLUG NO.5	PLUG NO.6	PLUG NO.7	PLUG NO.8
--------------	--------------	--------------	--------------	--------------	--------------	--------------	--------------

1982

Y 12036915 12036916 12036916 12036914 12036915 12036910 12036907 12036908

1981 GENERATOR CHART

GM96

PRODUCTION NUMBER	AMP.	DIV.	USAGE	SERV. NUMBER
1100110	(42)	1 5	A (231A)	1103061
		1	B (231A, 350N)	1103061
		1	F (231A)	1103061
		34	A (231A)	1103061
		3	A (305H/267)	1103061
		3	B (231 A, 267)	1103061
		4	B w/(4.1-4/231A)	1103061
1100111	(63)	1 5	A (305H/350L/267)	1103061
		1	B (350N/305H/350L/267)	1103061
		23	A (305 H/267)	1103061
		3	B (267)	1103061
		4	A (305 H/267)	1103061
		4	B, C (267)	1103061
1100113	(63)	1234	X (2.8X)	1103061
		1	B (350N) w/A.C.	1103061
1100124	(63)	2	B (350N) HD CLG	1103061
1100138	(42)	12	T	1103061
1100139	(63)	12	T	1100139
1100140	(37)	CT	C2 03 (250)	1103061
		CT	C2 03 (292) w/P/S	1103061
		CT	C2 43 (292) w/P/S	1103061
		CT	C3 K203 K309, 310 (292)	1103061
		CT	CK1 03, 16 (250)	1103061
		CT	G12 (250)	1103061
		CT	G12 (250)	1103061
1100141	(37)	CT	C2 03, 43 (292) Exc. P/S	1103061
1100142	(63)	CT	C1 03, 16 (305L/305F/305G)	1103061
		CT	C2 03 (454/305L/350L/350M)	1103061
		CT	C2 43 CK 309, 310 (454/350M)	1103061
		CT	C 314 (454/350M)	1103061
		CT	C 314 (350)	1103061
		CT	CK 12 06	1103061
		CT	K1 03, 16 (305L/350L)	1103061
		CT	K2 03 (350L/350M)	1103061
		CT	K314 (454/350M)	1103061
		CT	G12 (400R, 305G, 350L)	1103061
		CT	G 313	1103061
		CT	G 313 32	1103061
		CT	G 316	1103061
		CT	P2 (350M)	1103061
		CT	P3 42 (454/350M)	1103061
CT	P3 32	1103061		

1981 GENERATOR (Continued)

GM97

PRODUCTION NUMBER	AMP.	D.V.	USAGE	SERV. NUMBER
1100143	(55)	CT	C2 03 (350)	1103061
		CT	C2 03 (292) w/AC	1103061
		CT	C2 43 (292) w/AC	1103061
		CT	C3 K203 K309, 310 (292)	1103061
		CT	CK1 03, 16 (250)	1103061
		CT	G12 (250)	1103061
1100145	(37)	CT	C1 0316	1103061
		CT	C2 03 (454W/305H/350L/350M)	1103061
		CT	C243, C3, K309, 310 (454W/350M)	1103061
		CT	CK 12 06	1103061
		CT	K1 03, 16 (305H/350L)	1103061
		CT	K2 03 (350L/350M)	1103061
		CT	G12 (305F, G, H, 350L)	1103061
1100146	(63)	CT	C2 03 (250)	1103061
		CT	C2 03, 43	1103061
		CT	C3, K2, K309, 310 (292)	1103061
		CT	CK1 03, 16 (250)	1103061
		CT	K314 (292)	1103061
		CT	G12 (250)	1103061
		CT	P2 (292)	1103061
		CT	P3 42 (292) w/JB7, JB8	1103061
1100148	(55)	CT	C1 03, 16 (305F, G, H)	1103061
		CT	C2 03 (454W/305H/350L/350M)	1103061
		CT	C2 43, C3, K309, 310 (454W/350M)	1103061
		CT	CK 12 06	1103061
		CT	K1 03, 16 (305H/350L)	1103061
		CT	K2 03 (350L/350M)	1103061
		CT	G12 (305F, G, H, 350L)	1103061
		CT	G3 03, 05, 06	1103061
1100149	(63)	CT	C1 03 (350N) (Exc. AC)	1103061
1100150	(42)	CT	G12 (250)	1103061
		CT	P2 (292)	1103061
		CT	P3 42 (292) w/JB7,	1103061
		CT	P3 42 (292) w/JB7 (Exc. B3M)	1103061
1100151	(42)	CT	G12 (305F, G, H, 350L)	1103061
		CT	G3 03, 05, 06	1103061
		CT	P2 (350M)	1103061
		CT	P3 42 (350M) (Exc. B3M)	1103061
1100152	(63)	CT	C2 03, 43 (292) (Exc. AC, P/S)	1103061
1100153	(42)	CT	P1	1103061
		CT	P2 (292)	1103061
		CT	P3 42 (292) w/JB7 (Exc. P/S)	1103061

1981 GENERATOR CHART (Continued)

GM98

PRODUCTION NUMBER	AMP.	DIV.	USAGE	SERV. NUMBER
1100155	(55)	CT	C2 03, 43 (292) (Exc. AC, P/S)	1103061
1100156	(55)	2	A (350N)	1103061
		3	B (307) w/NM6 (Export)	1103061
		3	A, B, C (Diesel)	1103061
		4	A, B (Diesel, 307)	1103061
		4	B (307) (Exc. A.I.R.)	1103061
1100162	(63)	12	X (2.8Z)	1103061
1100163	(42)	1	XX (2.8Z)	1103061
1100164	(55)	3	A (307/260F)	1103061
		3	B (260F)	1103061
		4	B (307) w/A.I.R.	1103061
1100167	(63)	2	A (4.3S, 301W)	1103061
		4	A (4.3S)	1103061
		2	B (4.3S)	1103061
110016J	(63)	2	F (4.3S/301W)	1103061
1101037	(70)	1234	X (2.8X)	1101040
		12345	A (231A)	1101040
		1	B (350N, 231A)	1101040
		2 4	A (350N)	1101040
		2 4	B (350N, 307, 231A)	1101040
		34	B, C (260, 4.1-4)	1101040
		34	E, (350N, 307, 4.1-4)	1101040
		3	A (260, 307)	1101040
		3	A (350N) (Exc. U21 Gages)	1101040
		1101044	(70)	1
6	C, E, K			1101040
1101045	(85)	34	A (231A) (Exc. AC)	1101097
		3	B (231A) (Exc. AC)	1101097
		4	A, B (305H, 267)	1101097
		4	B (4.1-4/231A, 350N) (Exc. A.C.)	1101097
		4	B (307) (Exc. A.C., A.I.R.)	1101097
1101046	(80)	6	C, D, Z, E, K	1101050
1101050	(100)	6	C, D, Z, K	1101050
1101060	(80)	4	B, C (350X)	1101061
1101064	(80)	CT	P3 (292) w/B3M	1101061
1101067	(70)	1234	X (151-5)	1101040

1981 GENERATOR CHART (Continued)

GM99

PRODUCTION NUMBER	AMP.	DIV.	USAGE	SERV. NUMBER
1101068	(70)	3	A (350N) w/GA	1101070
1101075	(70)	1	Y	1101070
1101079	(70)	12	T	1101096
1101082	(70)	4	A (231-3)	1101040
		1	AZ (231-3)	1101040
1101084	(85)	34	A (231A)	1101097
		34	B, C (4.1-4, 231A, 350N)	1101097
		34	E (4.1-4)	1101097
		4	X (2.8X)	1101097
		4	A (350N)	1101097
		4	B (307)	1101097
1101085	(85)	4	A (4.3S,301W)	1101097
1101086	(85)	4	X (2.5-5)	1101097
1101088	(70)	1	A (229, 305H, 350L, 267, 231A)	1101040
		1	B (229, 305H, 350L, 267)	1101040
		1	F	1101040
		1234	A (231A) (Exc. A.C.)	1101040
		1234	B (305H/267)	1101040
		123	B (231A)	1101040
		12	F (305H/267)	1101040
		34	A, B (350N) (Exc. A.C.)	1101040
		34	B (267)	1101040
		34	B (307) (Exc. A.C., A.I.R.)	1101040
4	B (4.1-4) (Exc. A.C.)	1101040		
1101095	(70)	12	X (2.8Z)	1101040
1101437	(70)	1	F (231A)	1101040
		2	A (231A, 301W)	1101040
		2	B (4.3S)	1101040
		2	F (231A, 4.3S, 301W)	1101040
		4	A (4.3S)	1101040
1103088	(55)	12	A, B (305H, 350L, 267)	1103061
		1	F (231A, 305H, 350L, 267)	1103061
		2	B (231A)	1103061
		2	F (231A, 305H, 267)	1103061
		4	A (305H/267)	1103061
		4	B (267)	1103061
1103091	(63)	12	A (229)	1103061
		1	BL, BN 47, 69 (229)	1103061
		1	Y	1103061

1981 GENERATOR CHART (Continued)

GM100

PRODUCTION NUMBER	AMP.	DIV.	USAGE	SERV. NUMBER
1103092	(55)	12	A (229)	1103061
		1	F (229)	1103061
1103103	(63)	CT	C1 03 (350N) w/AC	1103061
1103151	(63)	3	A (350N) (Exc. AC)	1103151
1103161	(37)	1	A (229)	1103061
		1	BL, BN 47, 69 (229)	1103061
		1	F (229)	1103061
1103162	(37)	1	A (305H, 267)	1103061
		1	F (305H, 350L, 267)	1103061
1103187	(42)	1234	X (2.5-5)	1103061

1981 GENERATOR CHART

GROUP	DESCRIPTION	QTY	GENERATOR (SERVICE)				
			1 110109 (63 AMP)	2 1101040 (70 AMP)	3 1101050 (100 AMP)	4 1101061 (80 AMP)	5 1101070 (70 AMP)
2.274	BATFLE, fan	1	—	—	1892218	—	—
2.306	BEARING, bail drive end	1	907998	1893306	1893306	1893306	1893306
2.298	BEARING, roller slip ring end	1	9436831	1975322	9436831	9436831	1975322
2.316	BOLT, through	4	1956975	1956975	801810	801810	1956975
2.313	BOOT, regulator terminal	1	1876806	—	—	—	—
2.393	BRACKET, capacitor	1	1869573	—	1869573	1869573	—
2.319	BRIDGE, rectifier — positive	1	187627	1975313	—	—	1975313
2.291	BRUSH, holder & brush assembly	1	801466	1975323	1984462	1984462	1975323
2.298	BUSHING, slip ring mtg hinge	1	—	—	1976143	1976143	—
2.319	CAPACITOR ASSEMBLY	1	1978146	1978146	1978146	1978146	1978146
2.307	COLLAR, outside drive end	1	—	1959991	1978250	1978250	1959991
2.307	COLLAR, shaft inside drive end	1	1978059	1975350	1978250	1978250	1975350
2.313	CONNECTOR & BATTERY TERMINAL	1	—	—	801815	801815	—
2.313	CONNECTOR, relay terminal to rectifier	1	—	—	—	1852032	—
2.319	DIODE TRIO	1	1985348	1984459	1977064	1977064	1984459
2.274	FAN	1	1978057	1978020	801808	—	1978026
2.305	FRAME, drive end	1	1976092	1975331	1976049	1976049	1975331
2.297	FRAME, slip ring end	1	1974939	1975310	1976141	1976141	1975310
2.280	LOCKWASHER - SHAFT NUT, drive end	1	1941978	1941978	1941978	1941978	1941978
2.280	NUT - SHAFT, drive end	1	1915172	1915172	1915172	1915172	1915172
8.915	NUT, rectifier bridge	3	120622	120622	120622	120622	120622
8.939	PIN - DOWEL, slide ring end	1	—	—	455532	455532	—
2.307	PLATE ASSEMBLY, ball bearing retainer	1	1971993	1971993	1971993	1971993	1971993
2.274	PULLEY, generator	1	1978065	—	1893675	—	—
2.319	RECTIFIER BRIDGE	1	1875627	1975313	1875645	1875645	1975313
2.500	REGULATOR	1	1116387	1116387	1116387	1116387	1116387
2.313	RELAY TERMINAL PKG.	1	—	—	—	1852519	1851714
2.319	RESISTOR, regulator to brush ground	1	830478	830478	830478	830478	830478
2.279	ROTOR ASSEMBLY	1	1876163	1975333	1978875	1978875	1975333
2.414	SCREW ASSEMBLY, pan head slotted tap	1	1991239	1891239	1891239	—	1891239
2.307	SCREW, ball bearing retaining plate	3	1965104	1965104	1965104	1965104	1965104
2.291	SCREW, brush holder attach/grd	1	1876682	1975737	1876808	1876808	1975737
2.291	SCREW, brush holder attach/insul.	2	1876681	1876681	1876681	1876681	1876681
2.319	SCREW, capacitor bracket & lead	1	1891239	1891239	1891239	1891239	1891239
2.319	SCREW, rectifier bridge attach	1	1984458	1984458	1984458	1984458	1984458
2.286	SPRING, brush	1	1977357	1975325	1977357	1977357	1975325
2.310	STATOR ASSEMBLY	2	1971639	1975303	1892941	801818	1975303
2.313	TERMINAL PKG, battery	1	1975471	1975471	1977747	1977747	1975471

1981 GENERATOR CHART

GROUP	DESCRIPTION	QTY	6	7	8	9	10	GENERATOR (SERVICE)				
								1101092 (85 AMP)	1101097 (85 AMP)	1103061 (63 AMP)	1103151 (63 AMP)	
2.274	BAFFLE, fan	1	—	—	—	—	—	—	—	—	—	—
2.306	BEARING, ball drive end	1	907998	907998	907998	907998	907998	907998	907998	907998	907998	907998
2.298	BEARING, roller slip ring end	1	1975322	1975322	1975322	1975322	1975322	1975322	1975322	1975322	1975322	1975322
2.316	BOLT, through	4	1956975	1956975	1956975	1956975	1956975	1956975	1956975	1956975	1956975	1956975
2.213	BOOT, regulator terminal	1	—	—	—	—	—	—	—	—	—	—
2.393	BRACKET, capacitor	1	—	—	—	—	—	—	—	—	—	—
2.319	BRIDGE, Rectifier — positive	1	1975313	1975313	1975313	1975313	1975313	1975313	1975313	1975313	1975313	1975313
2.291	BRUSH, holder & brush assembly	1	1975323	1975323	1975323	1975323	1975323	1975323	1975323	1975323	1975323	1975323
2.298	BUSHING, slip ring mtg hinge	1	—	—	—	—	—	—	—	—	—	—
2.319	CAPACITOR ASSEMBLY	1	1978146	1978146	1978146	1978146	1978146	1978146	1978146	1978146	1978146	1978146
2.307	COLLAR, outside drive end	1	1978940	1978940	1978940	1978940	1978940	1978940	1978940	1978940	1978940	1978940
2.307	COLLAR, shaft inside drive end	1	1975350	1975350	1975350	1975350	1975350	1975350	1975350	1975350	1975350	1975350
2.313	CONNECTOR & BATTERY TERMINAL	1	—	—	—	—	—	—	—	—	—	—
2.313	CONNECTOR, relay terminal to rectifier	1	—	—	—	—	—	—	—	—	—	—
2.319	DIODE TRIO	1	1984459	1984459	1984459	1984459	1984459	1984459	1984459	1984459	1984459	1984459
2.274	FAV	1	1978026	1978026	1978026	1978026	1978026	1978026	1978026	1978026	1978026	1978026
2.305	FRAME, drive end	1	1979011	1979011	1979011	1979011	1979011	1979011	1979011	1979011	1979011	1979011
2.297	FRAME, slip ring end	1	1975310	1975310	1975310	1975310	1975310	1975310	1975310	1975310	1975310	1975310
2.280	LOCKWASHER — SHAFT NUT, drive end	1	1941978	1941978	1941978	1941978	1941978	1941978	1941978	1941978	1941978	1941978
2.280	NUT — SHAFT, drive end	1	1915172	1915172	1915172	1915172	1915172	1915172	1915172	1915172	1915172	1915172
8.915	NUT, Rectifier bridge	3	120622	120622	120622	120622	120622	120622	120622	120622	120622	120622
8.939	PIN — DOWEL, slide ring end	1	—	—	—	—	—	—	—	—	—	—
2.307	PLATE ASSEMBLY, ball bearing retainer	1	1971993	1971993	1971993	1971993	1971993	1971993	1971993	1971993	1971993	1971993
2.274	PULLEY, generator	1	—	—	—	—	—	—	—	—	—	—
2.319	RECTIFIER BRIDGE	1	1975313	1975313	1975313	1975313	1975313	1975313	1975313	1975313	1975313	1975313
2.500	REGULATOR	1	1116387	1116387	1116387	1116387	1116387	1116387	1116387	1116387	1116387	1116387
2.313	RELAY TERMINAL PKG	1	—	—	—	—	—	—	—	—	—	—
2.319	RESISTOR, regulator to brush ground	1	830478	830478	830478	830478	830478	830478	830478	830478	830478	830478
2.279	ROTOR ASSEMBLY	1	1975333	1975333	1975333	1975333	1975333	1975333	1975333	1975333	1975333	1975333
2.414	SCREW ASSEMBLY, pan headed slotted tap	3	1891239	1891239	1891239	1891239	1891239	1891239	1891239	1891239	1891239	1891239
2.307	SCREW, ball bearing retaining plate	1	1965104	1965104	1965104	1965104	1965104	1965104	1965104	1965104	1965104	1965104
2.291	SCREW, brush holder attach/grd	1	1975737	1975737	1975737	1975737	1975737	1975737	1975737	1975737	1975737	1975737
2.291	SCREW, brush holder attach/insul	2	1876681	1876681	1876681	1876681	1876681	1876681	1876681	1876681	1876681	1876681
2.319	SCREW, capacitor bracket & lead	1	1891239	1891239	1891239	1891239	1891239	1891239	1891239	1891239	1891239	1891239
2.319	SCREW, rectifier bridge attach	1	1984458	1984458	1984458	1984458	1984458	1984458	1984458	1984458	1984458	1984458
2.286	SPRING, brush	2	1975325	1975325	1975325	1975325	1975325	1975325	1975325	1975325	1975325	1975325
2.310	STATOR ASSEMBLY	1	1975987	1975987	1975987	1975987	1975987	1975987	1975987	1975987	1975987	1975987
2.313	TERMINAL PKG, battery	1	1975471	1975471	1975471	1975471	1975471	1975471	1975471	1975471	1975471	1975471

CHASSIS WIRING-LAMPS

1982 GENERATOR CHART

PRODUCTION NUMBER	DIV	USAGE	COLUMN
01103091	1	Y	1
01101075	1	Y	2

CHASSIS WIRING-LAMPS

1982 GENERATOR CHART
(PRODUCTION)

GROUP	DESCRIPTION	QTY	1	2	3	4	5
2 275	GENERATOR (PRODUCTION)	1	1103091 (63AMP)	1101075 (70AMP)	—	—	—
2 275	GENERATOR (SERVICE)	1	1103061 (63AMP)	1101070 (70AMP)	—	—	—
2 306	BEARING BALL DRIVE END	1	907998	1893306	—	—	—
2 298	BEARING ROLLER SLIP RING END	1	9436831	1975322	—	—	—
2 316	BOLT THRU	4	1956975	1956975	—	—	—
2 393	BRACKET CAPACITOR	1	1869573	—	—	—	—
2 319	BRIDGE DIODE	1	1875627	—	—	—	—
2 291	BRUSH HOLDER & BRUSH	1	1984462	1975323	—	—	—
2 319	CAPACITOR	1	630890	—	—	—	—
2 319	CAPACITOR & BRACKET	1	—	1978146	—	—	—
2 307	COLLAR SHAFT INSIDE DRIVE END	1	—	1975350	—	—	—
2 307	COLLAR SHAFT OUTSIDE DRIVE END	1	1978059	1978940	—	—	—
2 319	DIODE TRIO-NEG	1	1983348	1984459	—	—	—
2 274	FAN	1	1978057	1978026	—	—	—
2 305	FRAME DRIVE END	1	1974937	1975331	—	—	—
2 297	FRAME SLIP RING END	1	1974939	1975310	—	—	—
2 280	LOCKWASHER SHAFT NUT DRIVE END	1	1941978	1941978	—	—	—
8 915	NUT RECTIFIER BRIDGE	3	120622	120622	—	—	—
2 280	NUT SHAFT DRIVE END	1	1915172	1915172	—	—	—
2 307	PLATE BALL BEARING RETAINER	1	1971993	1971993	—	—	—
2 274	PULLEY	1	1978065	1979359	—	—	—
2 319	RECTIFIER BRIDGE-POS	1	—	1975313	—	—	—
2 590	REGULATOR	1	1116387	1116387	—	—	—
2 319	RESISTOR REGULATOR TO BRUSH GROUND	1	830478	830478	—	—	—
2 279	ROTOR	1	1876163	1975333	—	—	—
2 307	SCREW BALL BEARING RETAINER PLATE ATTACH	1	1965104	1965104	—	—	—
2 291	SCREW BRUSH HOLDER ATTACH (GRD)	1	1876682	1975737	—	—	—
2 291	SCREW BRUSH HOLDER ATTACH (INSUL)	2	1876681	1876681	—	—	—
2 319	SCREW CAPACITOR BRACKET & LEAD	2	1851612	1851612	—	—	—
2 319	SCREW RECTIFIER BRIDGE ATTACH	1	1876668	1876668	—	—	—
2 286	SPRING BRUSH	2	1964117	1975325	—	—	—
2 310	STATOR	1	1971639	1975303	—	—	—
2 313	TERMINAL PKG BATTERY	1	1975471	1975471	—	—	—

CHASSIS WIRING-LAMPS

CHEVROLET
LAMP SOCKET CHART
Y BODY

YEAR	BODY STYLE	2.575 FRT SI MKR	2.575 RR SI MKR	2.575 OPEPA SAIL COACH	2.596 FRT PARK	2.598 FRT T/SIG	2.598 CORN- ERING
1982	Y				12003757	12003757	12003758
1984	Y	6298886	6298886		11507057 (CB)	11507057 (CB)	12003758
1984	Y		12003758 (D)		12013813 (A)	12013813 (A)	

YEAR	BODY STYLE	2.694 TAIL	2.694 STOP	2.694 RR. T/SIG	2.697 BACK UP	2.714 LICENSE
1982	Y	12003759	12003759	12003759		12001470
1984	Y	12003759	12003759	12003759	12003759 (E)	8918527 (G)
1984	Y				12027133 (F)	12001470 (F)

- A W/VD1, VE1, VT7, VB4 (EXPORT)
- B (EXC EXPORT VD1, VE1, VT7, VB4)
- C W/FOG LF
- D AUX
- E W/T90 (EXPORT)
- F (EXC EXPORT T90)
- G W/T89, T90 (EXPORT)

MICROFICHE INDEX
GROUPS 0.000 THRU 2.000 & 21.000
FICHE 1 OF 6

<u>GROUP DESCRIPTION</u>	<u>STARTING GRID LOCATION</u> <u>PARTS ILLUSTRATIONS</u>	
- INTRODUCTION	A-6	J-2
- GENERAL INFORMATION	A-2	J-2
- ALPHABETICAL INDEX	C-11	N.A.
- INDEX FOR ADDITIONAL INFORMATION	A-5	N.A.
0.000 ENGINE - CLUTCH	D-12	J-6
1.000 COOLING - GRILLE - OIL SYSTEM	E-11	K-15
2.000 CHASSIS WIRING - LAMPS	G-13	L-7
21.000 ACCESSORY REFERENCE LIST	D-9	N.A.
- OUT OF FICHE CALLS	N.A.	N-2

J-1



CHEVROLET

INTRODUCTION

This **ILLUSTRATION CATALOG** has been compiled to assist in the location and identification of service parts.

The illustrations herein may not always show the exact part required, however, for identification purposes the group number or noun name can be readily located from a view covering a typical illustration.

The layout of the information contained in this publication is such that the illustrations can be removed for combining with the Parts Listing Catalog Sections by groups. The "single" catalog concept can be maintained using this system, or the separate Illustration Catalog and Parts Listings Catalogs can be used.

During each calendar year complete reprints of the catalog are published as part of the Catalog Revision Service. New or revised illustrations are mailed to dealers subscribing to the revision service as they are scheduled.

All specifications and illustrations contained in this publication are based on the latest product information available at the time of printing. Warehousing and Distribution Division reserves the right to make changes at any time without notice in data, specifications, material and models.

Due to Engineering and or part number changes, all part number application herein should be verified by referring to the Parts Catalog.



ILLUSTRATION CATALOG GROUP FORMAT



GROUP CORVETTE ILLUSTRATION CONTENTS

- 0.000** ENGINES — ENGINE TRANSMISSION MOUNTING —
CLUTCH ASSEMBLIES — CLUTCH LINKAGE
-
- 1.000** RADIATOR MOUNTING — RADIATOR GRILLES — ENGINE
OIL PUMPS — PULLEYS & BELTS
-
- 2.000** STARTER MOTORS — ALTERNATORS — DISTRIBUTORS —
ALTERNATOR MOUNTINGS — ANTI THEFT SYSTEMS — CHASSIS
WIRING — FRONT LAMPS — REAR LAMPS
-
- 3.000** FUEL SUPPLY SYSTEMS — FUEL INJECTION SYSTEMS —
ACCELERATOR CONTROLS — CRUISE CONTROLS — AIR CLEANER
& EMISSION PARTS — CARBURETION — EXHAUST SYSTEMS
-
- 4.000** MANUAL TRANSMISSIONS — LINKAGE — AUTOMATIC
TRANSMISSIONS — LINKAGE — BRAKES — PARKING BRAKES —
BRAKE PEDAL — MASTER CYLINDER — VACUUM OR BOOSTER
CYLINDERS — BRAKE CALIPERS — WHEEL CYLINDERS — BRAKE
LINES — ANTI-SKID DEVICES
-
- 5.000** FRONT/REAR DRUM BRAKE — REAR AXLES — LOCKING
DIFFERENTIAL — WHEEL COVERS
-
- 6.000** FRONT SUSPENSION — STEERING WHEEL AND HORN PARTS —
STEERING COLUMN, LINKAGE AND RELATED PARTS —
STEERING COLUMN (EXPLODED) — STEERING PUMP —
STEERING PUMP MOUNTINGS
-
- 7.000** FRAME COMPONENTS — REAR SUSPENSIONS — FRONT BUMPER —
REAR BUMPER
-
- 8.000** FRONT END SHEET METAL — WHEEL OPENING COVERS —
BASE HEATER SYSTEMS — HEATER COMPONENTS OR ASSEMBLIES
-
- 9.000** BODY MOUNTING — A.C. COMPRESSORS — A. C. REFRIGERATION
COMPONENTS — A. C. COMPRESSOR MOUNTING (A. C. SYSTEMS-BY
CARLINE*) — A. C. REFRIGERATION SYSTEM* — A. C. AIR
DISTRIBUTION SYSTEM* — A. C. CONTROLS* — A. C. ELECTRICAL* —
A. C. HEATER & DEFROSTER ASM/A. C. MODULE/EVAPORATOR &
BLOWER ASM. — ANTENNAS, RADIOS — INSTRUMENT PANEL
CLUSTERS — DEFOGGER SYSTEMS — INTERIOR VENTILATION
SYSTEMS (ALSO SEE GRP. 10.000 INSTR. PNL.)



ILLUSTRATION CATALOG GROUP FORMAT



GROUP

CORVETTE ILLUSTRATION CONTENTS

10.000	EXTERIOR VIEWS — WINDSHIELD WIPER & WASHERS — WINDSHIELD WIPER MOTOR & PUMPS — MIRRORS — INSTRUMENT PANEL & HARDWARE — CONSOLES, SEAT SEPARATORS — DOOR HARDWARE: — FRONT DOORS — REAR DOORS — BODY WEATHERSTRIPS
11.000	QUARTER WINDOW HARDWARE — SEAT BACK LOCKS — AUXILIARY TOP
12.000	BODY MOLDINGS/STRIPES/DECALS — BODY SHEET METAL — REAR COMPARTMENT TRIM & HARDWARE (HATCHBACK TYPES) — ROOF OPTIONS - & SPECIAL TOPS — ROOF TOP CARRIERS - RACKS
13.000	BODY WIRING — CONVERTIBLE TRIM
14.000 & 15.000	SEAT STYLES — INTERIOR TRIM — BELT & AIR CUSHION RESTRAINT SYSTEMS — REAR COMPARTMENT TRIMS (ALSO SEE 12 GRP.)

NOTE — THIS IS A GENERAL OUTLINE OF THE CURRENT ILLUSTRATION SEQUENCE.

ILLUS

0

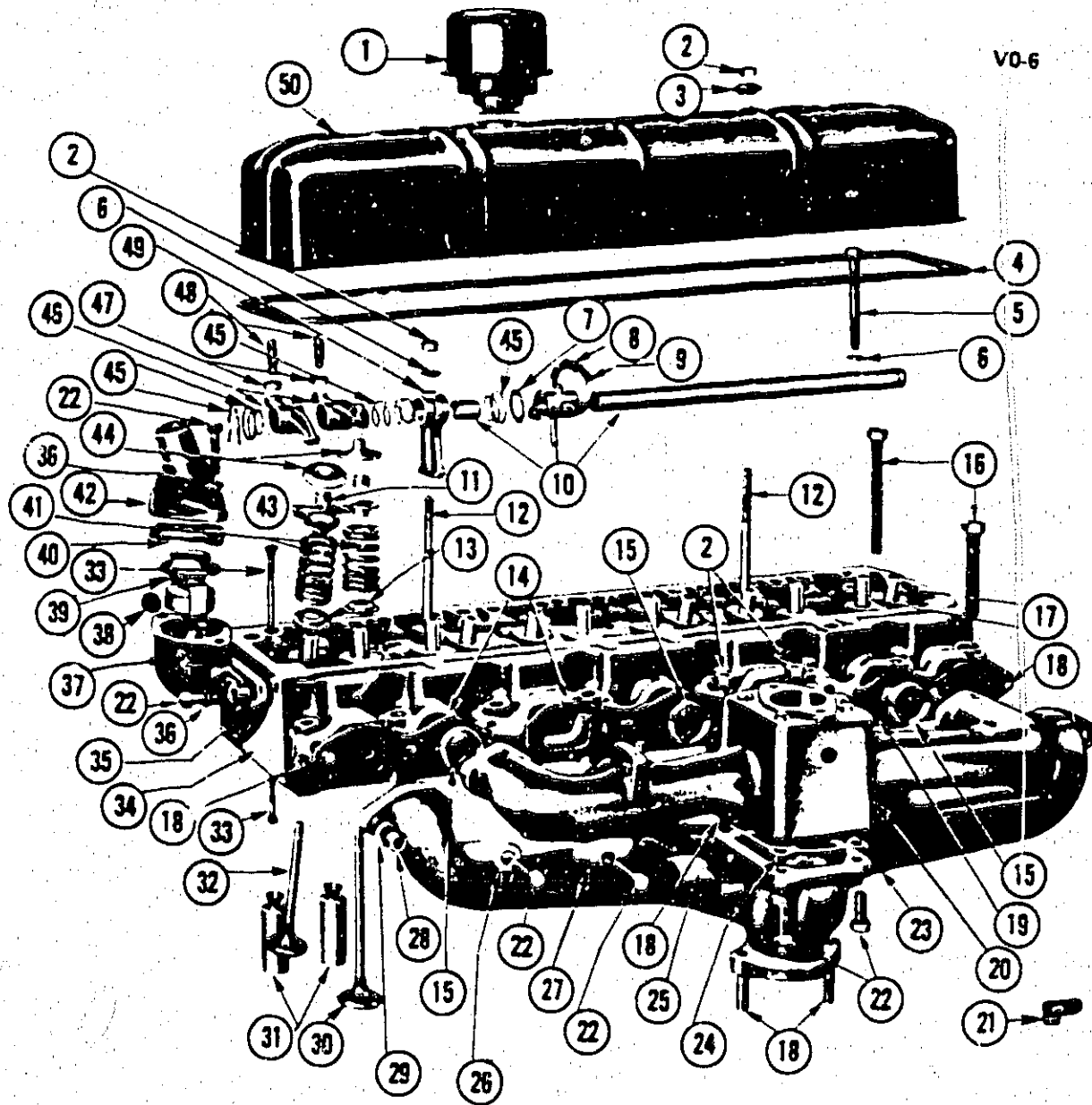


CHEVROLET CHASSIS GROUP 0.000



ILLUSTRATION INDEX

	TITLE	GRID
1953-62	L6 ENGINE PART I	J8
1953-62	L6 ENGINE PART II	J10
1953-62	L6 ENGINE PART III	J12
1953-62	L6 ENGINE PART IV	J14
1955-68	V8 ENGINE PART I	J16
1955-68	V8 ENGINE PART II	J18
1955-68	V8 ENGINE PART III	J20
1969-81	V8 ENGINE PART I	J22
1969-81	V8 ENGINE PART II	J24
1969-81	V8 ENGINE PART III	J26
1982	Y 5.7 LITER V8 ENGINE (L83/5.7-8) PART I	K2
1982	Y 5.7 LITER V8 ENGINE (L83/5.7-8) PART II	K4
1963-67	Y ENGINE & TRANSMISSION MOUNTINGS	K6
1966-79	Y ENGINE & TRANSMISSION MOUNTING	K7
1980-82	Y ENGINE & TRANSMISSION MOUNTING	K8
	DIAPHRAGM SPRING TYPE CLUTCH DETAILS	K9
	COIL SPRING CLUTCH DETAILS	K9
1958-62	Y CLUTCH LINKAGE	K10
1963-67	Y CLUTCH LINKAGE	K12
1968-82	Y CLUTCH LINKAGE	K13



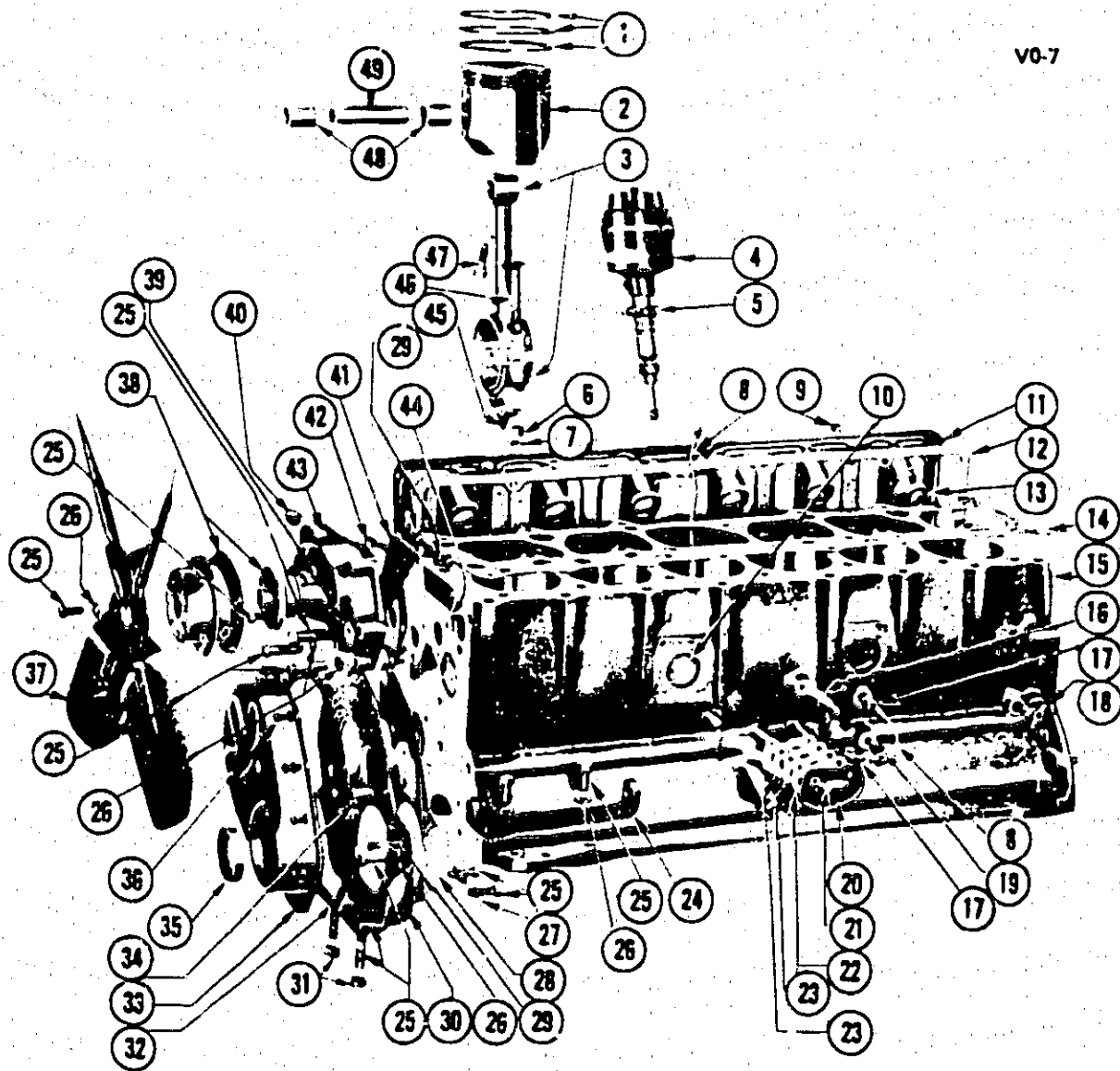
V0-6

V0-6

1953-62 L6 ENGINE PART I

1953-62 L6 ENGINE PART I

F 6	1. CAP	1.758
	2. NUT	8.915
D 24	3. INSULATOR	0.413
D 24	4. GASKET	0.423
D 24	5. BOLT	0.366
D 24	6. WASHER	0.373
F 3	7. WASHER	1.531
F 3	8. CLIP	1.531
F 3	9. CONNECTOR	1.531
D 24	10. SHAFT	0.353
D 23	11. KEY	0.310
D 24	12. STUD	0.413
D 23	13. SEAT	0.311
N 3	14. GASKET SET	3.270
N 3	15. SLEEVE	3.273
D 20	16. BOLT	0.293
D 19	17. GUIDE	0.283
N 4	18. STUD	3.275
N 3	19. GASKET UNIT	3.270
N 3	20. MANIFOLD	3.265
N 25	21. TEE	10.155
	22. BOLT	8.900
N 6	23. MANIFOLD	3.801
	24. GASKET	3.272
N 8	25. WEIGHT	3.647
N 4	26. WASHER	3.275
N 3	27. CLAMP	3.273
N 4	28. NUT	3.275
	29. WASHER	8.929
D 20	30. VALVE	0.296
D 26	31. TAPPET	0.459
D 21	32. VALVE	0.297
D 25	33. ROD	0.426
D 19	34. HEAD	0.289
E 20	35. GASKET	1.252
	36. WASHER, Lock	8.931
E 20	37. HOUSING	1.251
	38. PIPE PLUG	8.971
E 20	39. THERMOSTAT	1.246
E 17	40. GASKET	1.154
D 22	41. SPRING	0.303
E 17	42. OUTLET	1.153
D 23	43. CAP	0.309
D 23	44. COVER	0.308
D 24	45. SPRING	0.376
D 23	46. ARM	0.333
D 25	47. NUT	0.429
D 25	48. SCREW	0.429
	49. SUPPORT	0.349
D 24	50. COVER	0.386



V0-7

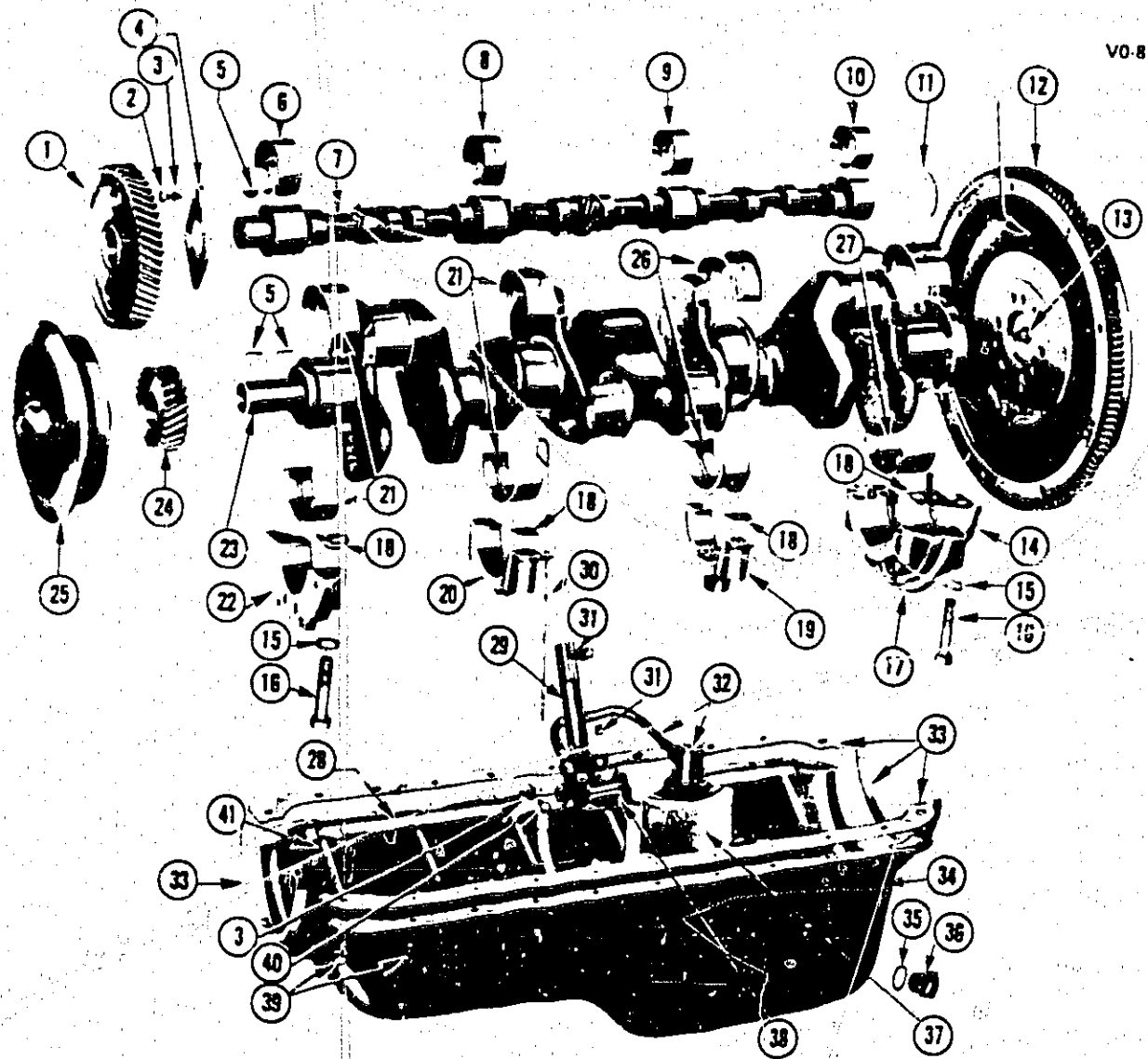
V0-7

1953-62 L6 ENGINE PART II

V0.7

1953-62 L6 ENGINE PART II

E 2	1. RING	0.643
D 28	2. PISTON ASM	0.629
D 27	3. ROD ASM	0.603
H 5	4. DISTRIBUTOR	2.361
	5. ARM	2.414
D 28	6. NUT	0.626
	7. NUT	8.921
	8. PIPE	1.519
F 2	9. BOLT	1.428
D 16	10. PLUG	0.034
D 25	11. COVER	0.439
D 26	12. GASKET UNIT	0.443
D 26	13. GASKET	0.446
D 19	14. GASKET	0.289
D 15	15. BLOCK ASM	0.033
	16. STUD	3.456
F 3	17. NIPPLE	1.531
	18. COCK	8.951
	19. PIPE PLUG	8.971
F 3	20. COVER	1.535
	21. BOLT	8.906
F 3	22. VALVE	1.535
F 3	23. GASKET	1.535
G 28	24. BRACKET	2.277
	25. BOLT	8.900
	26. WASHER, Lock	8.931
D 16	27. WASHER	0.060
D 15	28. GASKET	0.005
	29. BOLT	8.908
D 15	30. PLATE	0.004
D 15	31. NUT	0.002
D 18	32. GASKET	0.207
D 18	33. COVER	0.206
E 6	34. NOZZLE	0.748
D 18	35. SEAL	0.213
D 18	36. BOLT	0.206
E 15	37. BLADE ASM	1.064
E 14	38. PULLEY & HUB	1.062
	39. WASHER, Lock	8.932
	40. PLUG	8.971
	41. PLATE	1.113
	42. GASKET	1.114
E 16	43. PUMP	1.069
E 16	44. GASKET	1.079
D 27	45. DIPPER	0.604
D 28	46. BOLT	0.623
D 27	47. BOLT	0.609
E 2	48. BUSHING	0.633
E 2	49. PIN	0.636



VO-8

VO-8

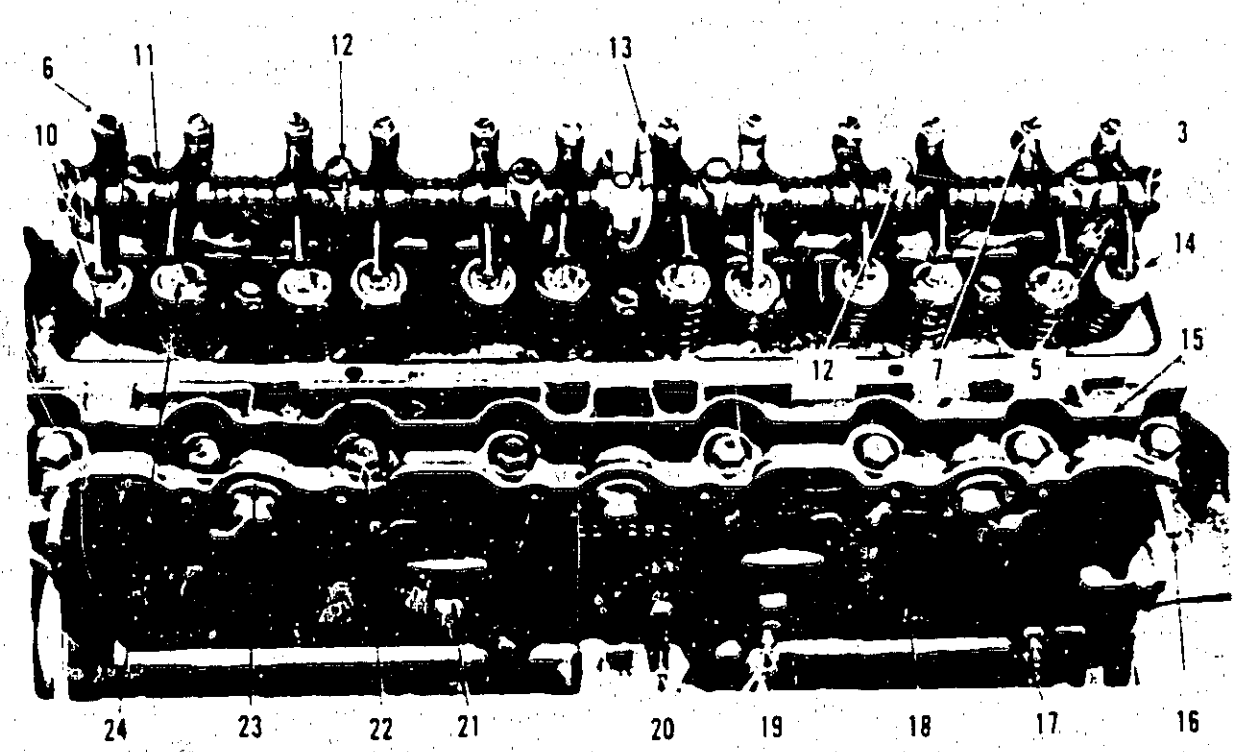
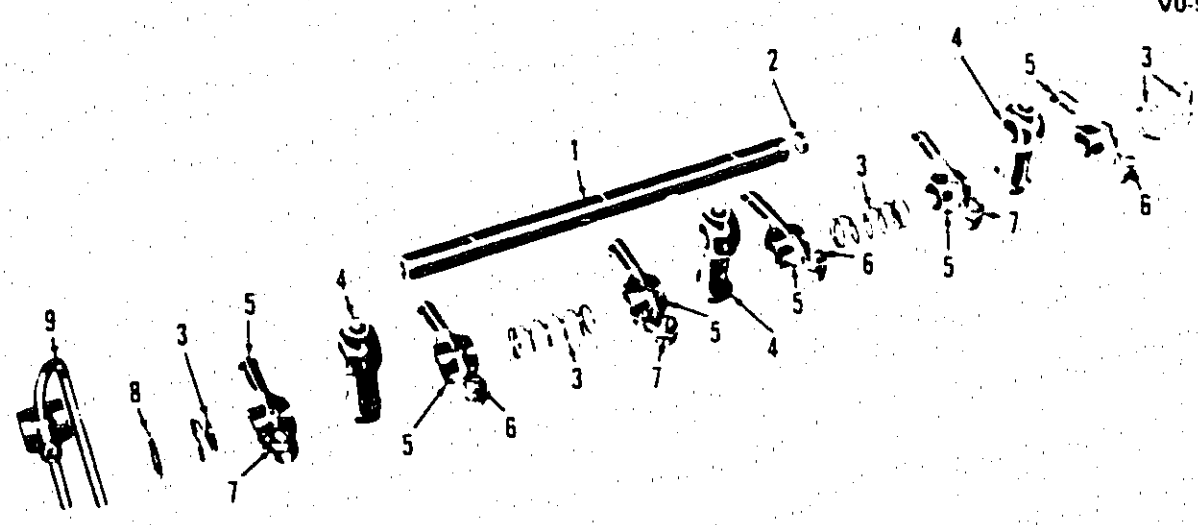
1953-62 L6 ENGINE PART III

V0-8

1953-62 L6 ENGINE PART III

E 6	1. GEAR	0.736
	2. BOLT	8.900
	3. WASHER	8.932
D 26	4. BEARING	0.533
	5. KEY	8.960
D 26	6. BEARING	0.539
D 26	7. CAMSHAFT	0.519
	8. BEARING	0.543
	9. BEARING	0.546
	10. BEARING	0.549
D 27	11. PLUG	0.553
E 4	12. FLYWHEEL	0.666
E 5	13. BOLT	0.669
D 18	14. SEAL	0.137
D 16	15. WASHER	0.080
D 16	16. BOLT	0.056
	17. CAP	0.105
D 18	18. SHIM UNIT	0.153
	19. CAP	0.102
	20. CAP	0.098
D 17	21. BEARING UNIT	0.096
D 16	22. CAP	0.095
E 2	23. CRANKSHAFT	0.646
E 6	24. GEAR	0.728
E 3	25. BALANCER	0.859
	26. BEARING UNIT	0.103
	27. BEARING UNIT	0.106
	28. PIPE ASM	1.427
F 4	29. OIL PUMP	1.652
F 2	30. GAUGE	1.516
	31. NUT	8.916
	32. Part of 1.857 COVER	N.S.
F 2	33. GASKET UNIT	1.429
E 25	34. PAN	1.426
F 2	35. GASKET	1.456
F 2	36. SCREW	1.453
	37. COVER	1.857
F 5	38. COVER	1.723
F 2	39. BOLT	1.428
	40. BOLT	8.906
	41. SPRING	1.427

V0-9



V0-9

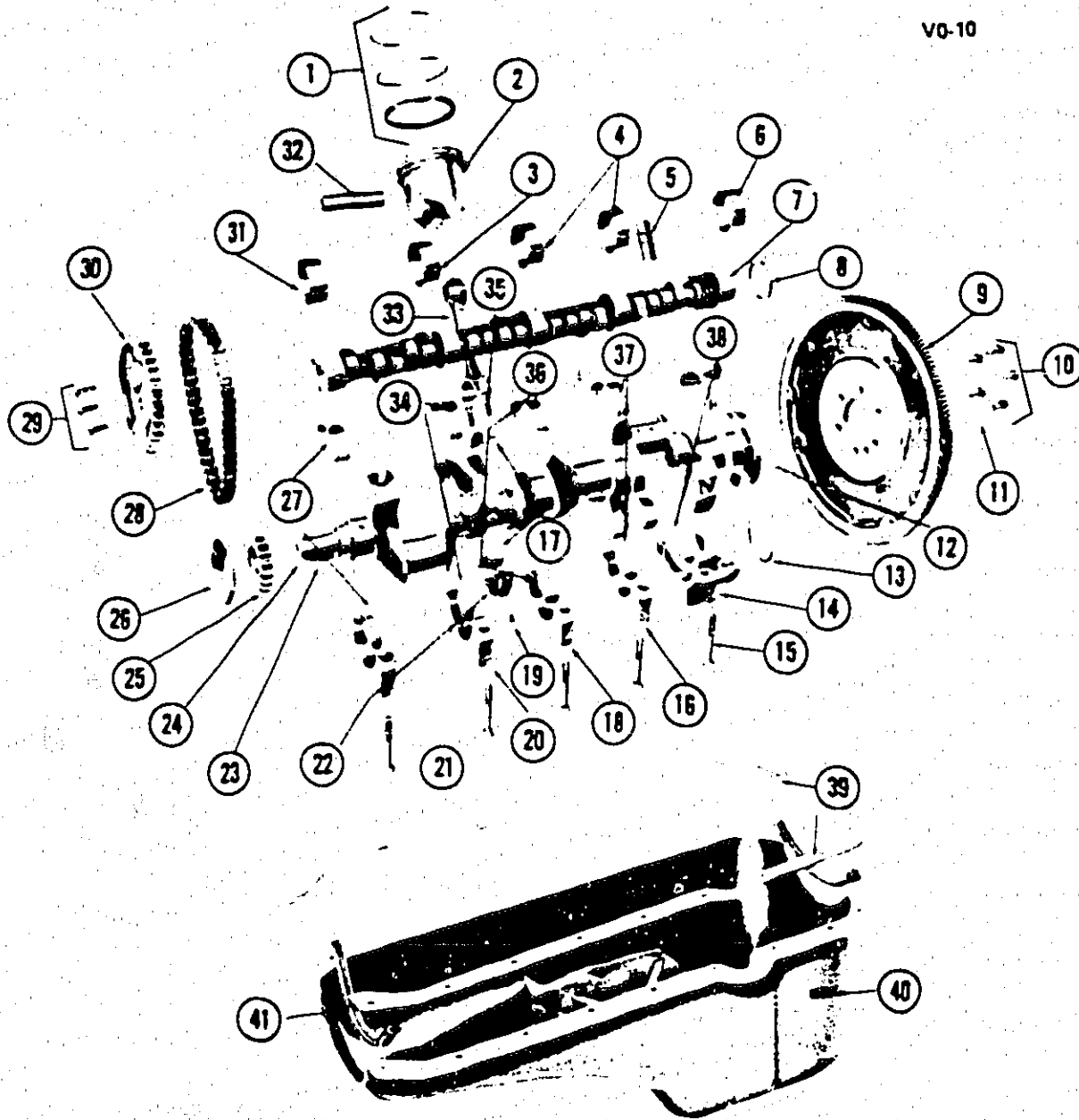
1953-62 L6 ENGINE PART IV

V0-9

1953-62 L6 ENGINE PART IV

D 24	1. SHAFT	0.353
E 25	2. PLUG	1.356
D 24	3. SPRING	0.376
	4. SUPPORT	0.349
D 23	5. ARM	0.333
D 25	6. SCREW	0.429
D 25	7. NUT	0.429
F 3	8. WASHER	1.531
F 3	9. CONNECTOR	1.531
D 22	10. SPRING	0.303
D 24	11. WASHER	0.373
D 24	12. BOLT	0.366
F 3	13. CLIP	1.531
D 23	14. CAP	0.309
D 19	15. HEAD	0.269
N 4	16. STUD	3.275
	17. COCK	8.951
D 15	18. BLOCK ASM	0.033
F 3	19. NIPPLE	1.531
	20. STUD	3.456
D 16	21. PLUG	0.034
D 20	22. BOLT	0.293
N 3	23. SLEEVE	3.273
D 23	24. KEY	0.310

V0-10



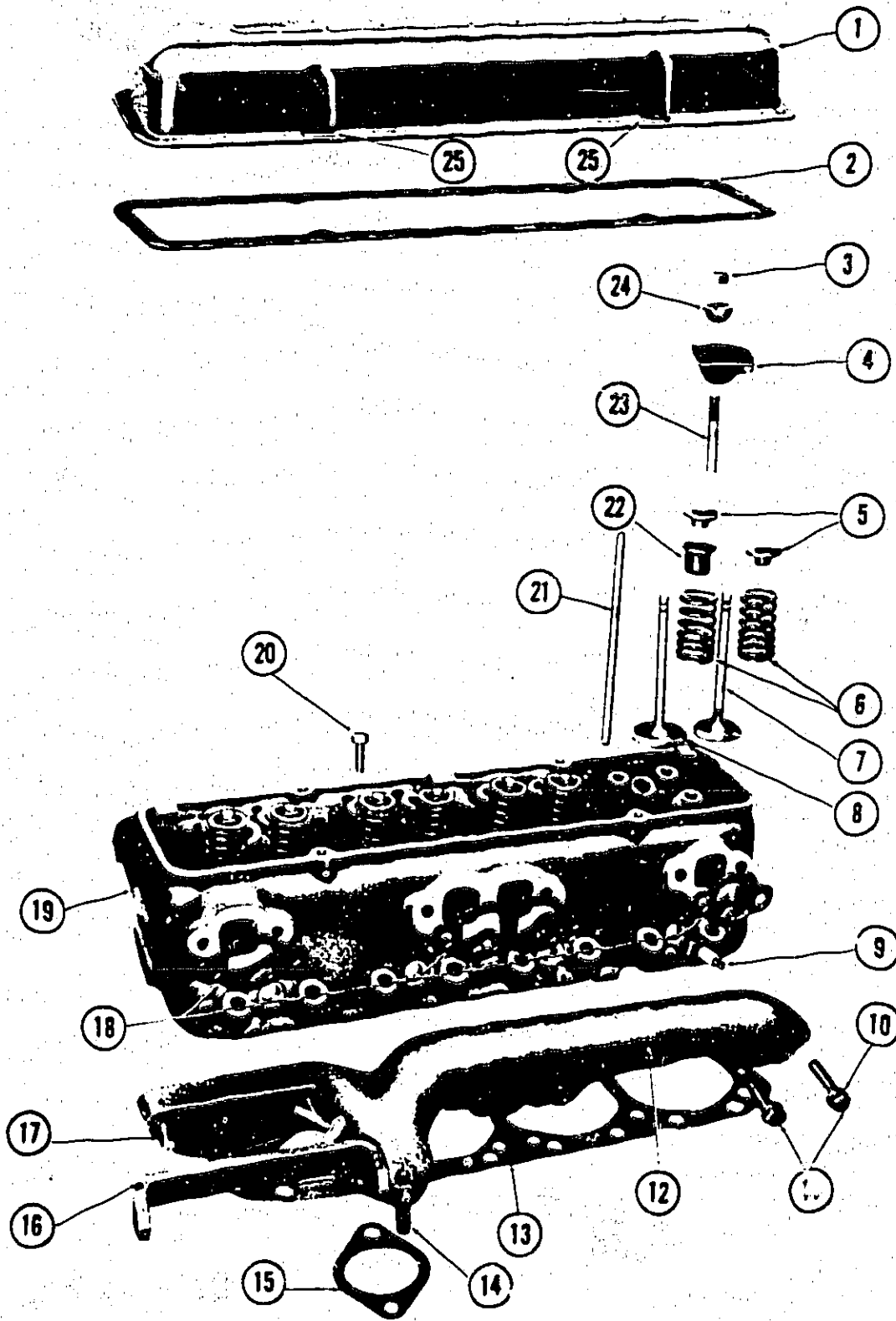
V0-10

1955-68 V8 ENGINE PART I

1955-68 V8 ENGINE PART I

E 2	1. RING SET	0.643
D 28	2. PISTON ASM	0.629
	3. BEARING	0.543
	4. BEARING	0.546
D 26	5. TAPPET	0.459
	6. BEARING	0.549
D 26	7. CAMSHAFT	0.519
D 27	8. PLUG	0.553
E 4	9. FLYWHEEL	0.666
E 5	10. BOLT	0.669
	11. WASHER, Lock	8.932
E 5	12. DOWEL	0.669
D 18	13. SEAL	0.137
	14. CAP	0.105
D 16	15. BOLT	0.056
	16. CAP	0.102
D 27	17. BEARING	0.616
	18. CAP	0.100
D 28	19. NUT	0.626
	20. CAP	0.098
D 16	21. CAP	0.095
	22. CAP, Part of 0.603 ROD ASM	N.S.
	23. KEY	8.960
E 2	24. CRANKSHAFT	0.646
E 6	25. SPROCKET	0.728
	26. OIL SLINGER	N.S.
D 17	27. BEARING	0.096
E 6	28. CHAIN	0.724
E 6	29. BOLT	0.738
E 6	30. SPROCKET	0.736
D 26	31. BEARING	0.539
E 2	32. PIN	0.636
D 27	33. ROD ASM	0.603
	34. BEARING	0.099
D 28	35. BOLT	0.623
	36. BEARING	0.101
	37. BEARING	0.103
	38. BEARING	0.106
F 2	39. GASKET UNIT	1.429
E 25	40. PAN	1.426
F 2	41. SEAL	1.429

V0-11



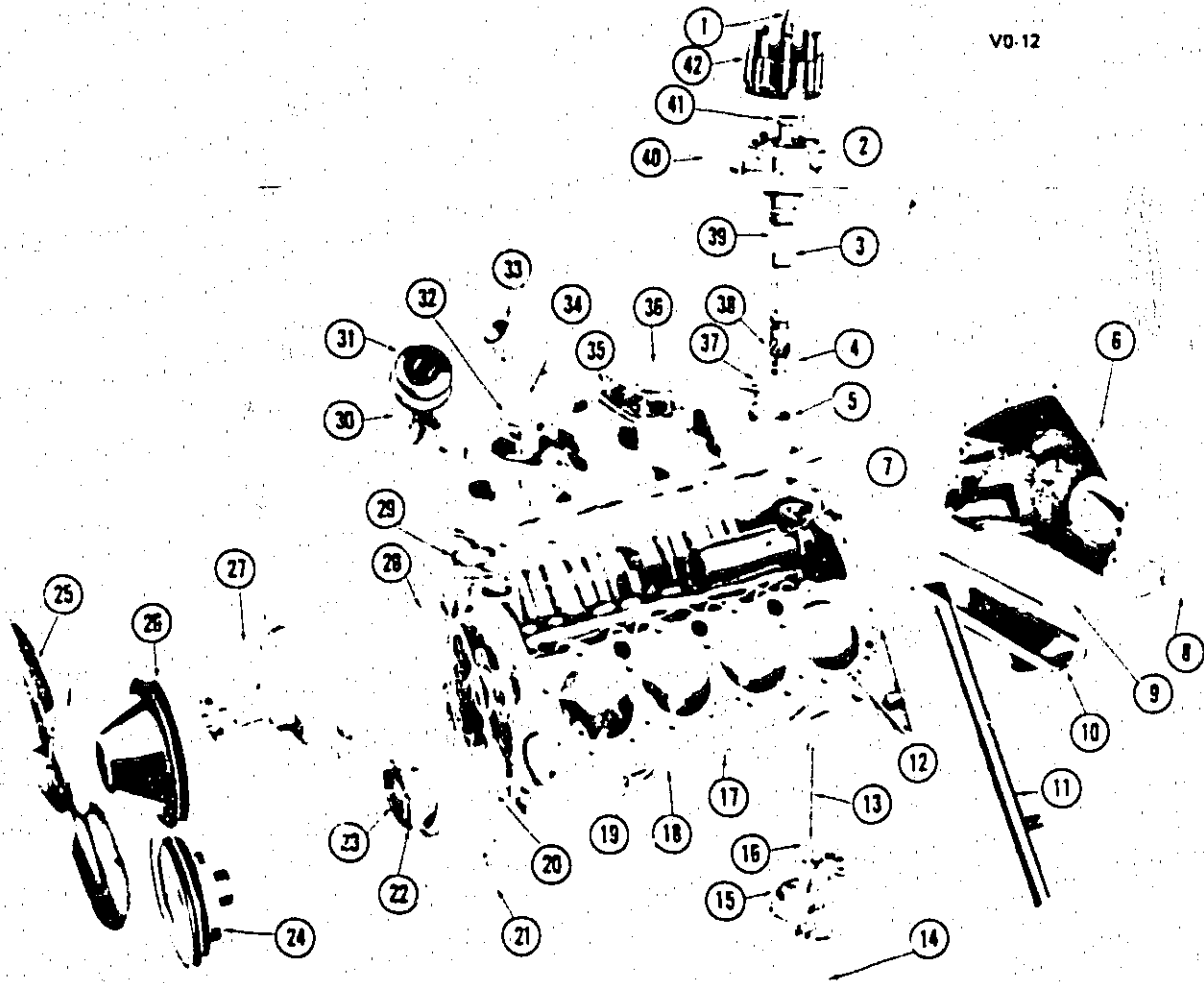
V0-11

1955-68 V8 ENGINE PART II

V0-11

1955-68 V8 ENGINE PART II

D 24	1. COVER	0.386
D 24	2. GASKET	0.423
D 25	3. NUT	0.429
D 23	4. ARM	0.333
D 23	5. CAP	0.309
D 22	6. SPRING	0.303
D 21	7. VALVE	0.297
D 20	8. VALVE	0.296
G 26	9. SPARK PLUG	2.270
N 4	10. WASHER, Lock	3.275
N 4	11. BOLT	3.275
N 6	12. EXHAUST MANIFOLD	3.601
D 19	13. GASKET UNIT	0.289
N 4	14. STUD	3.275
N 7	15. GASKET	3.611
G 28	16. BRACKET	2.277
G 28	17. STUD	2.277
	18. Part of GASKET UNIT 3.270	N.S.
D 19	19. HEAD	0.269
D 20	20. BOLT	0.293
D 25	21. ROD	0.426
D 23	22. SHIELD	0.308
D 25	23. STUD	0.429
D 25	24. BALL UNIT	0.429
D 24	25. REINFORCEMENT	0.413



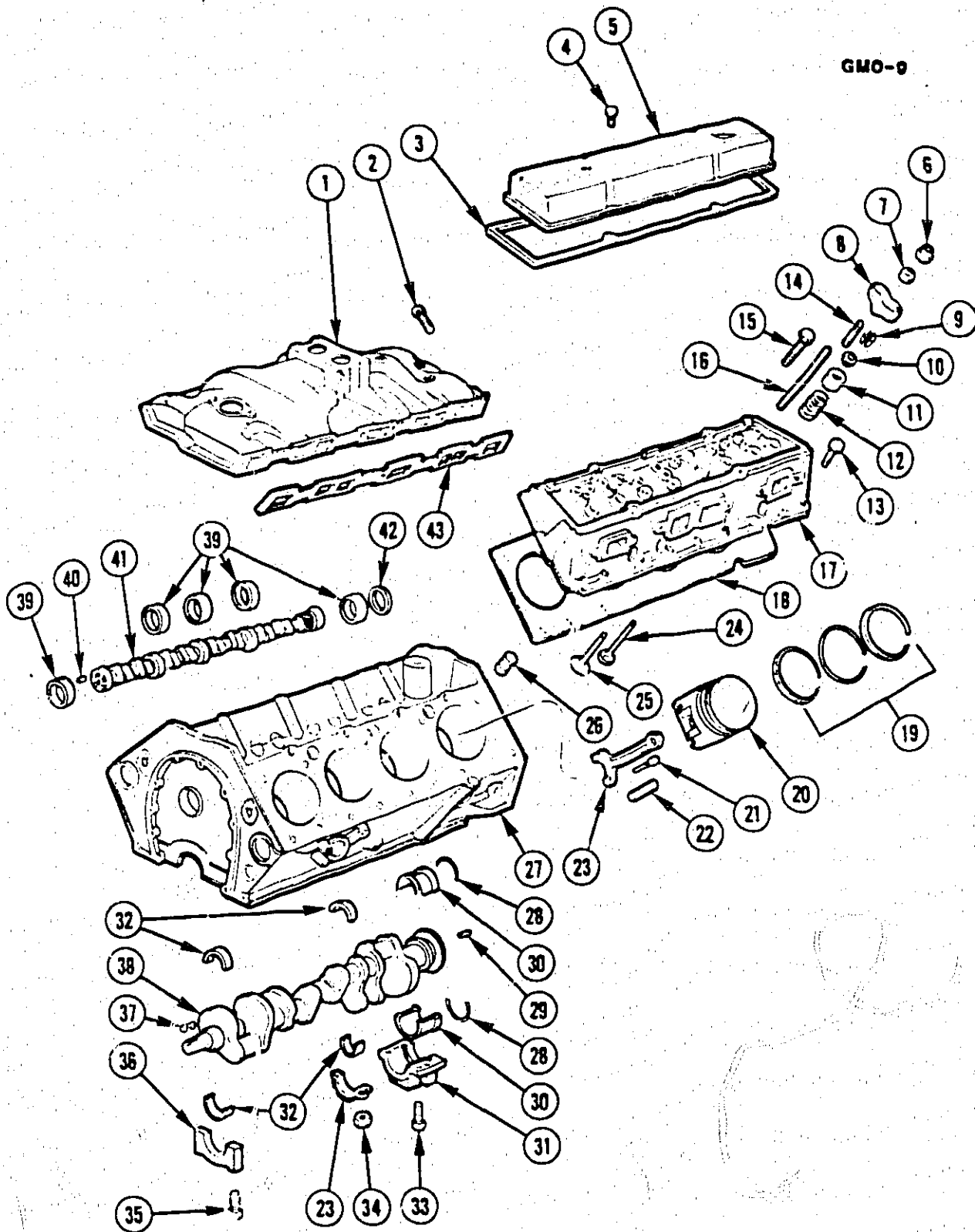
V0-12

V0-12

1955-68 V8 ENGINE PART III

1955-68 V8 ENGINE PART III

G 26	1. NIPPLE	2.258
H 7	2. SPRING	2.368
H 5	3. DISTRIBUTOR ASM	2.381
H 6	4. GASKET	2.363
N 3	5. INTAKE MANIFOLD	3.265
E 5	6. HOUSING	0.683
F 5	7. VENTILATOR	1.745
E 6	8. FORK UNIT	0.795
E 5	9. EXTENSION	0.679
E 5	10. UNDERPAN	0.679
F 6	11. TUBE	1.762
F 2	12. TUBE & GAUGE	1.516
H 7	13. SHAFT	2.372
F 4	14. SCREEN	1.656
F 4	15. PUMP ASM	1.652
F 4	16. SLEEVE	1.639
	17. PLUG	8.971
D 15	18. BLOCK	0.033
D 16	19. PLUG	0.034
J 18	20. GASKET	0.207
D 15	21. BRACKET	0.029
D 18	22. COVER	0.206
D 8	23. SEAL	0.213
E 3	24. BALANCER	0.659
E 13	25. BLADE ASM	1.064
E 14	26. PULLEY	1.062
E 16	27. PUMP ASM	1.069
E 16	28. GASKET	1.079
	29. Part of 3.270 GASKET UNIT	N.S.
F 5	30. TUBE	1.745
F 6	31. CAP	1.758
E 20	32. THERMOSTAT	1.248
E 17	33. OUTLET	1.153
E 17	34. GASKET	1.154
N 4	35. STUD	3.288
N 14	36. GASKET	3.726
H 6	37. CLAMP	2.363
H 8	38. GEAR UNIT	2.374
H 7	39. SHAFT	2.372
H 12	40. CONTRC	2.410
H 9	41. ROTOR	2.382
H 6	42. CAP	2.367



GM0-9

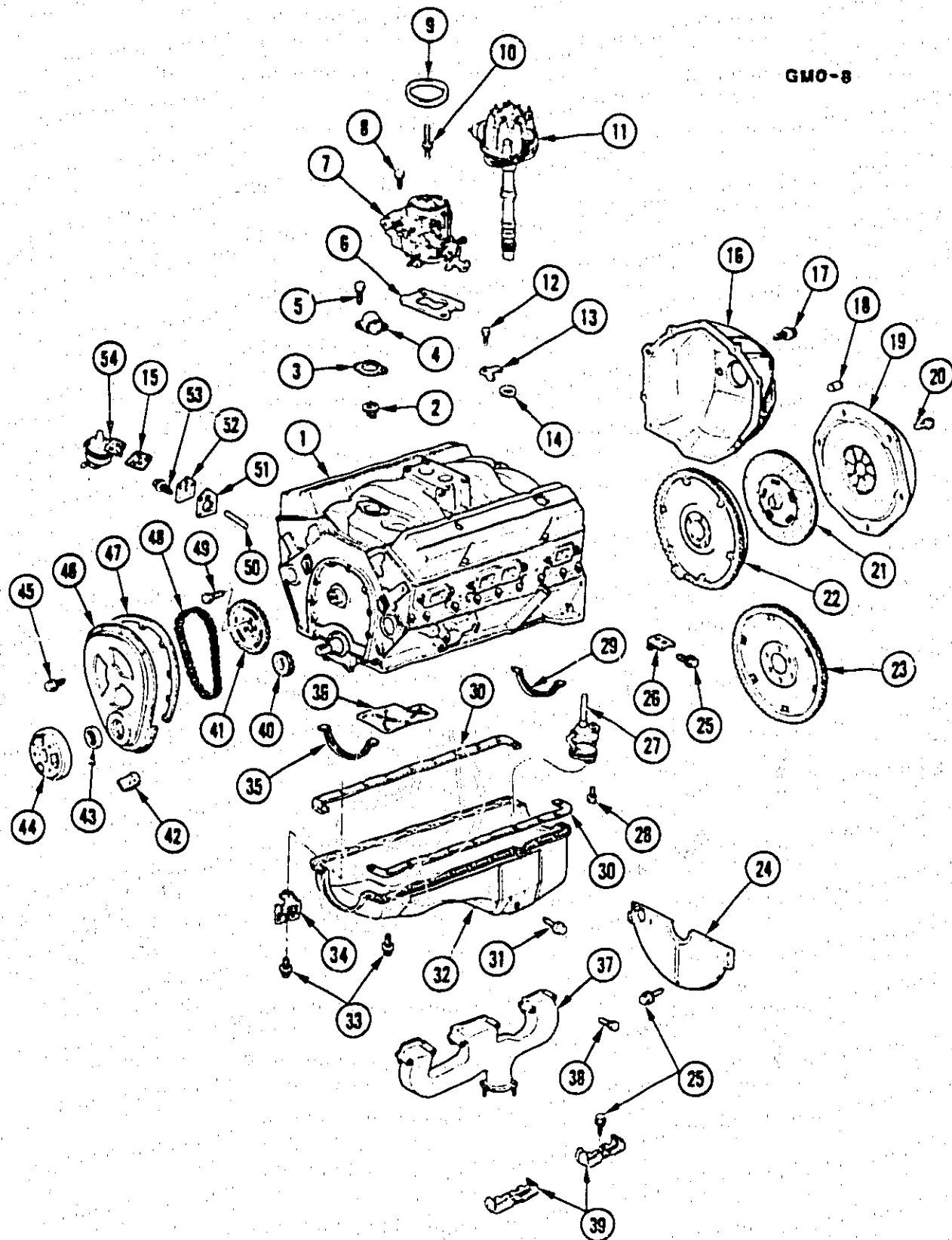
GM0-9

1969-81 V8 ENGINE PART 1

GM0-9

1969-81 V8 ENGINE PART I

N 3	1. MANIFOLD ASM, Intake	3.285
	2. BOLT, Hex (3/8"-16 x 2")	8.900
D 24	3. GASKET, Valve Rocker Arm Cover	0.423
	4. BOLT, Hex (1/4"-20 x 9/16)	8.900
D 24	5. COVER, Valve Rocker Arm	0.386
D 25	6. NUT, Valve Push Rod Adj	0.429
D 25	7. BALL, Valve Rocker Arm	0.429
D 23	8. ARM, Valve Rocker	0.333
D 23	9. KEY, Valve Spring Cap	0.310
D 23	10. CAP, Valve Spring	0.309
D 23	11. SHIELD, Valve Spring Oil	0.308
D 22	12. SPRING, Valve	0.303
	13. BOLT, Hex (7/16"-14 x 1 5/8")	8.900
D 25	14. STUD, Valve Push Rod Adj	0.429
	15. BOLT, Hex (7/16"-14 x 3 11/16")	8.900
D 25	16. ROD, Valve Push	0.426
D 19	17. HEAD ASM, Cylinder	0.269
D 19	18. GASKET, Cylinder Head	0.289
E 2	19. RING KIT, Piston	0.643
D 28	20. PISTON ASM, Engine (Incl #22)	0.629
D 28	21. BOLT, Connecting Rod	0.623
E 2	22. PIN, Piston	0.636
D 27	23. ROD ASM, Eng Connecting	0.603
D 21	24. VALVE, Exhaust	0.297
D 20	25. VALVE, Intake	0.296
D 26	26. LIFTER ASM, Valve	0.459
D 15	27. BLOCK, Eng	0.033
D 18	28. SEAL, Crankshaft Rear Main Brg Oil	0.137
E 5	29. PIN, Eng Flywheel	0.669
D 17	30. BEARING KIT, Crankshaft Rear	0.096
	31. CAP, Crankshaft Rear Main Brg	0.105
D 17	32. BEARING KIT, Crankshaft	0.096
D 16	33. BOLT, Crankshaft Main Bearing Cap	0.056
	34. NUT, Hex (3/8"-24)	8.915
	35. BOLT, Hex (7/16"-14 x 3 3/4")	8.900
D 16	36. CAP, Crankshaft Frt Brg	0.095
	37. KEY, Crankshaft Gear (3/16" x 3/4")	8.960
E 2	38. CRANKSHAFT, Engine	0.646
D 26	39. BEARING, Camshaft	0.539
E 6	40. PIN, Camshaft	0.738
D 26	41. CAMSHAFT, Engine	0.519
D 27	42. PLUG, Eng Camshaft Hole	0.553
N 3	43. GASKET, Intake Manifold	3.270



GM0-8

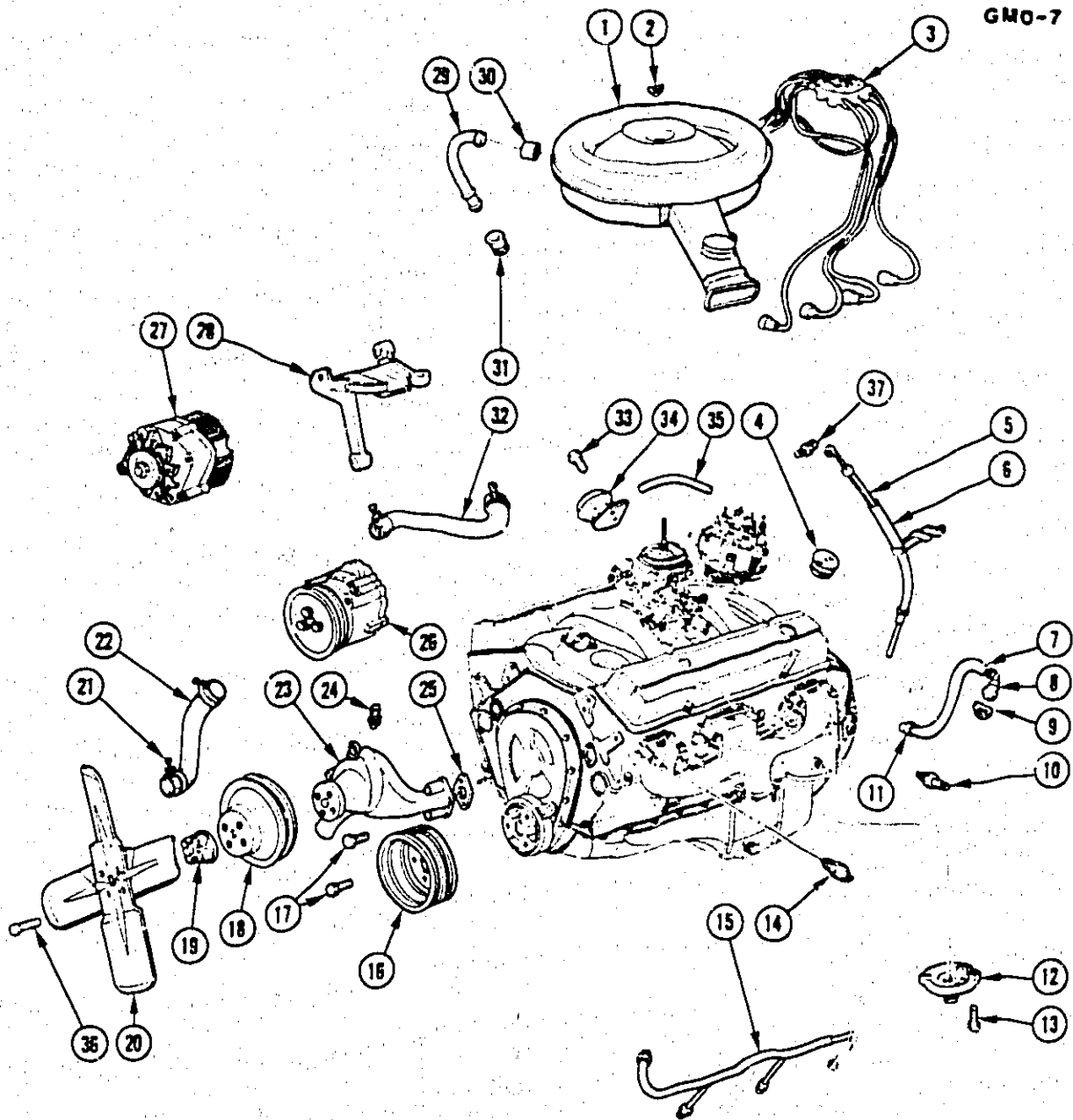
GM0-8

1969-81 V8 ENGINE-PART II

GM0-8

1969-81 V8 ENGINE-PART II

D 15	1. BLOCK, Fitted	0.033
E 20	2. THERMOSTAT, Eng Water Temp	1.248
E 17	3. GASKET, Water Outlet	1.154
E 17	4. OUTLET, Water	1.153
	5. BOLT, Hex (3/8"-16 x 7/8")	8.900
N 14	6. INSULATOR, Carb Heat	3.726
N 13	7. CARBURETOR ASM	3.725
	8. BOLT, Hex (5/16"-18 x 1 1/4")	8.900
N 5	9. GASKET, Air Cleaner to Carb	3.403
N 5	10. STUD, Air Cleaner to Carb	3.403
H 5	11. DISTRIBUTOR, Ignition	2.361
	12. BOLT, Hex (3/8"-16 x 3/4")	8.900
H 6	13. CLAMP, Dist	2.363
H 6	14. GASKET, Dist to Block	2.363
N 15	15. GASKET, Fuel Pump	3.904
E 5	16. HOUSING, Eng Clutch	0.683
	17. BOLT, Hex (1/4"-20 x 7/16")	8.900
E 6	18. PIN, Trans Line Up	0.685
E 8	19. COVER, W/Plate Asm, Clutch	0.859
E 8	20. BOLT, Cover W/Plate (5/16"-18 x 3/4")	0.862
E 9	21. PLATE, Clutch Driven	0.886
E 4	22. FLYWHEEL, Engine (M/T)	0.666
E 4	23. FLYWHEEL, Engine (A/T)	0.666
E 5	24. COVER, Clutch Hsg Lwr	0.679
	25. BOLT, Hex (1/4"-20 x 7/16")	8.900
G 25	26. BRACKET, Spark Plug Shield	2.251
F 4	27. PUMP ASM, Oil	1.652
	28. BOLT, Hex (7/16"-14 x 2 3/16")	8.900
F 2	29. SEAL, Oil Pan Rear	1.429
F 2	30. GASKET, Oil Pan Side	1.429
	31. PLUG (1/2"-20)	8.971
E 25	32. PAN ASM, Oil	1.426
	33. BOLT, Hex (5/16"-18 x 9/16")	8.900
	34. CLIP, Fluid Line	8.950
F 2	35. SEAL, Oil Pan Front	1.429
	36. BAFFLE, Part of #32	N.S.
N 6	37. MANIFOLD, Eng Exh	3.601
	38. BOLT, Hex (3/8"-16 x 2 3/16")	8.900
G 25	39. SHIELD, Spark Plug Wire	2.251
E 6	40. SPROCKET, Crankshaft	0.728
E 6	41. SPROCKET, Camshaft	0.736
D 18	42. POINTER, Timing	0.219
D 18	43. SEAL ASM, Eng Frt	0.213
E 3	44. BALANCER, Harmonic	0.659
	45. BOLT, Hex (1/4"-20 x 7/16")	8.900
D 18	46. COVER, Eng Frt	0.206
D 18	47. GASKET, Eng Frt Cvr	0.207
E 6	48. CHAIN, Timing	0.724
	49. BOLT, Hex (5/16"-18 x 3/4")	8.900
N 15	50. ROD, Pump Push	3.935
N 15	51. GASKET, Fuel Pump	3.904
N 15	52. PLATE, Fuel Pump Mtg	3.901
N 15	53. SCREW, W/Lock Washer, Fuel Pump Mtg	3.901
N 14	54. PUMP, Fuel	3.900



1969-81 V8 ENGINE-PART III

GM0-7

1969-81 V8 ENGINE-PART III

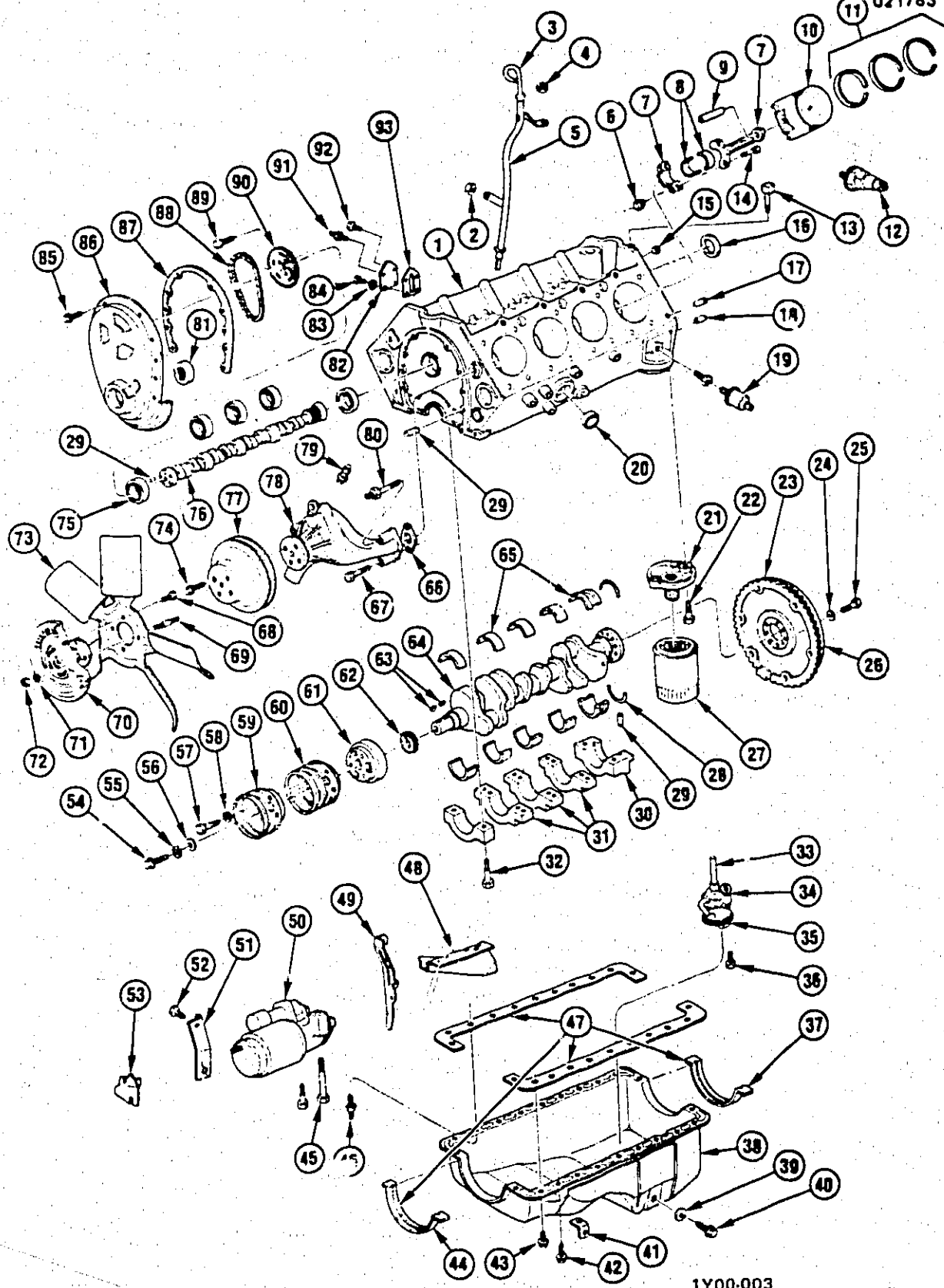
N	5	1. AIR CLEANER	3.402
N	5	2. NUT, Wing	3.403
G	25	3. WIRE, Spark Plug	2.240
F	6	4. C/P, C/Case Oil Filler	1.758
F	2	5. GAUGE, Oil Level Indicator	1.516
F	2	6. TUBE, Oil Level Indicator Gauge	1.516
		7. HOSE (3/8")	8.962
F	5	8. VALVE, C/Case Vent	1.745
F	5	9. GROMMET, C/Case Vent Hose	1.745
G	26	10. PLUG, Spark	2.270
		11. CLAMP (5/8")	8.948
F	7	12. ADAPTER, Oil Filter	1.840
F	7	13. BOLT, Adapter	1.840
E	17	14. SWITCH, Water Temp	1.150
N	11	15. PIPE, Air Inj	3.675
E	3	16. PULLEY, Crankshaft	0.659
		17. BOLT, Hex (7/16"-20 x 1 3/8")	8.900
E	14	18. PULLEY, Water Pump W/Fan	1.062
E	15	19. SPACER, Eng Fan	1.064
E	15	20. FAN, Engine	1.064
E	18	21. CLAMP, Hose	1.166
E	18	22. HOSE, Rad Outlet	1.173
E	16	23. PUMP, Eng Coolant	1.069
N	22	24. NIPPLE, By Pass Hose	8.866
E	16	25. GASKET, Coolant Pump to Eng	1.079
N	9	26. PUMP, Air Inj Reactor	3.680
G	28	27. GENERATOR	2.275
G	28	28. BRACKET, Gen Mtg	2.277
F	6	29. PIPE, C/Case Vent	1.762
		30. HOSE (Cut as Req)	8.962
F	5	31. GROMMET, C/Case Vent	1.745
E	17	32. HOSE, Rad Inlet	1.159
		33. BOLT, Hex (5/16"-16 x 1 5/8")	8.900
M	9	34. VALVE, EGR	3.670
		35. HOSE, EGR Valve (Cut as Req)	8.962
		36. BOLT, Hex	8.900
E	14	37. SWITCH, Aux Fan Engine Temp (W/C60)	1.055

MICROFICHE INDEX
GROUPS 0.000 THRU 2.000 & 21.000
FICHE 1 OF 6

GROUP DESCRIPTION	STARTING GRID LOCATION	
	PARTS	ILLUSTRATIONS
- INTRODUCTION	A-6	J-2
- GENERAL INFORMATION	A-2	J-2
- ALPHABETICAL INDEX	C-11	N.A.
- INDEX FOR ADDITIONAL INFORMATION	A-5	N.A.
0.000 ENGINE - CLUTCH	D-12	J-6
1.000 COOLING - GRILLE - OIL SYSTEM	E-11	K-15
2.000 CHASSIS WIRING - LAMPS	G-13	L-7
21.000 ACCESSORY REFERENCE LIST	D-9	N.A.
- OUT OF FICHE CALLS	N.A.	N-2

K-1

1Y00-003
021783



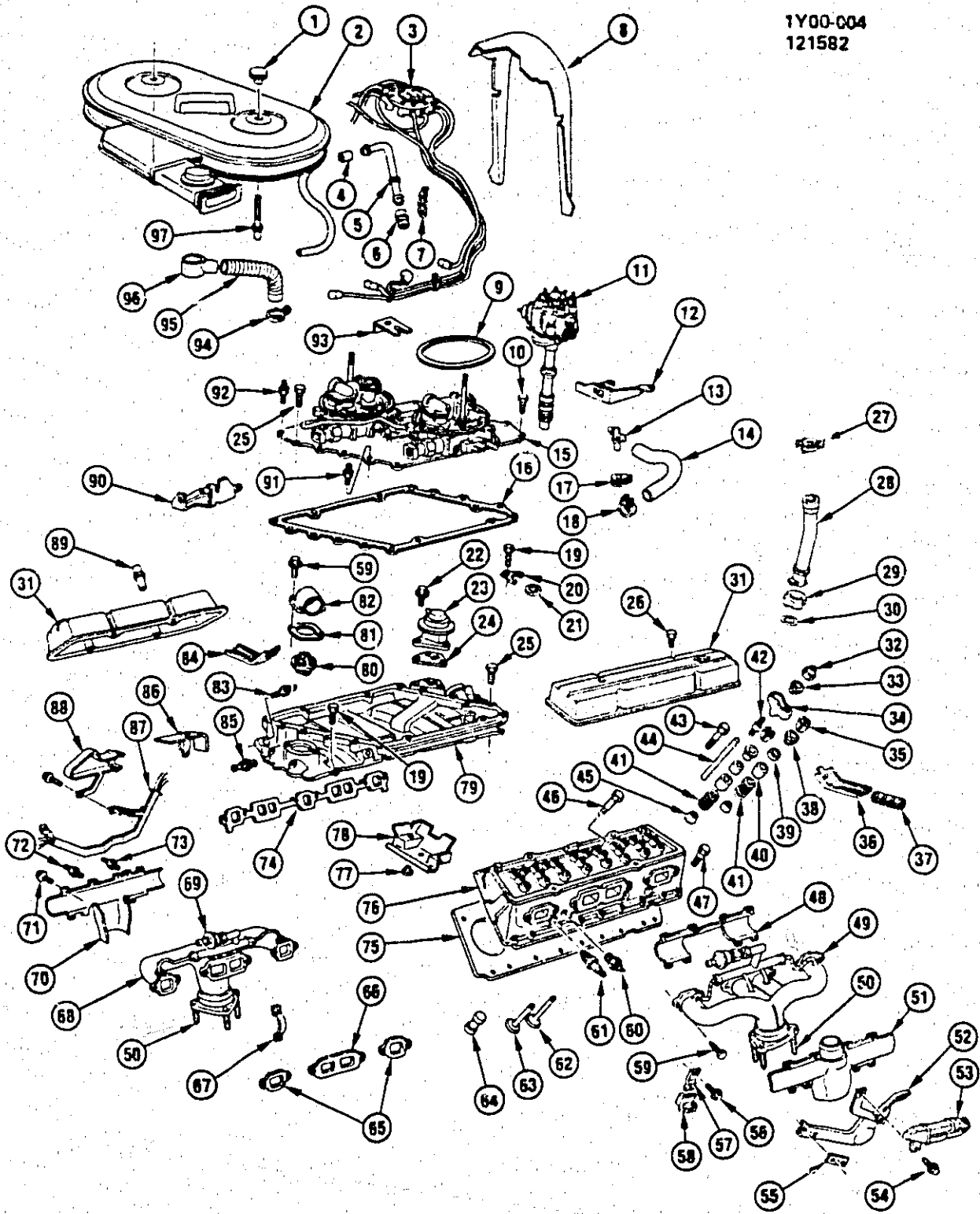
1Y00-003

1982 'Y' 5.7 LITER V8 ENGINE (L83/5.7-8) - PART I

1982 'Y' 5.7 LITER V8 ENGINE (L83/5.7-8) - PART I

D 15	1. ENGINE, Partial	0.033	H 9	48. SHIELD, Spark Knock Sensor	2.383
D 15	2. NUT, Hex Flgd (3/8"-16)	0.033	H 17	49. BRACKET, Start Mtr Sol Jumper Wire	2.559
F 2	3. INDICATOR, Oil Level (Dip Stick)	8.917	G 18	50. MOTOR, Starter	2.041
F 2	4. NUT, Hex Flgd (1/4"-20)	1.516	G 18	51. BRACE, Starter Motor	2.042
F 2	5. TUBE, Oil Level Indicator	8.917	G 18	52. SCREW, W/LW, Brace to Block (5/16"-18 x 11/16")	2.042
D 27	6. NUT, Conn Rod Bolt, Hex (3/8"-24)	1.516	G 21	53. SHIELD, Solenoid Splash	2.104
D 27	7. ROD, Connecting	8.915		54. BOLT, Hex (7/16"-20 x 2 1/4")	8.900
D 27	8. BEARING KIT, Conn Rod	0.603		55. WASHER, Lock-Ext Tooth (7/16")	8.932
D 28	9. PIN, Piston (Part of #10)	0.629	E 4	56. WASHER, Pulley & Balancer	0.662
E 2	10. PISTON, Engine (Incl #9)	N.S.		57. BOLT, Hex (3/8"-24 x 3/4")	8.900
F 6	11. RING KIT, Piston	0.629	E 3	58. WASHER, Lock (3/8")	8.931
F 7	12. SENDER, Oil Pressure	0.643	E 3	59. PULLEY, Crankshaft (1 Groove-6 1 1/16" Dia.)	0.659
F 7	13. FITTING, Oil Press Gage	1.800	E 3	60. PULLEY, Crankshaft (2 Groove-7 3/4" Dia.)	0.659
D 28	14. BOLT, Conn Rod Cap (3/8"-24 x 1 59/64")	1.803	E 3	61. DAMPER, Torsional	0.659
	15. PLUG, Hex Soc (1/4"-18)	0.623	E 6	62. SPROCKET, Crankshaft	0.728
	16. PLUG, Exp Cup (2.107 O.D.)	8.971		63. KEY, Woodruff (#9 3/16" x 3/4")	8.960
	17. PIN, Dowel (5/16" x 9/16")	8.939	E 2	64. CRANKSHAFT, Engine	0.646
	18. PIN, Strgt (5/8" x 1 3/16")	8.939	D 17	65. BEARING KIT, Crankshaft	0.096
F 6	19. SENSOR, Oil Temp	1.800	E 17	66. GASKET, Coolant Outlet	1.154
F 7	20. PLUG, Water Jacket (41.5MM)	8.970		67. BOLT, Hex (3/8"-16 x 1 3/4")	8.900
F 7	21. ADAPTER, Oil Filter By Pass Valve	1.840		68. BOLT, Hex (5/16"-18 x 5/8")	8.900
E 4	22. BOLT, HWH (5/16"-18 x 1 1/4") (1.840)	8.900	E 14	69. STUD, Fan Clutch (5/16"-18 x 24 x 15/16")	1.050
E 4	23. FLYWHEEL, Crankshaft	0.666	E 14	70. CLUTCH, Fan	1.050
E 4	24. WASHER, Lock Tooth (7/16")	8.932		71. WASHER, Lock (5/16")	8.931
E 5	25. BOLT, Hex (7/16"-20 x 11/16")	8.900	E 15	72. NUT, Hex (5/16"-18 x 17/64" Thk)	8.915
E 5	26. GEAR, Flywheel Ring	0.673	E 14	73. FAN, Eng Cooling	1.064
F 7	27. FILTER, Oil	1.836	E 14	74. BOLT, Pump Pulley	1.062
D 18	28. SEAL, Rear Bearing Oil	0.137	D 26	75. BEARING, Camshaft	0.539
D 16	29. PIN, Dowel (1/4" x 5/8")	8.939	D 26	76. CAMSHAFT, Engine	0.519
D 16	30. CAP, Crankshaft Rear Bearing	0.095	E 14	77. PULLEY, Coolant Pump	1.062
D 16	31. CAP, Crankshaft Bearing (#1,2,3,4)	0.095	E 16	78. PUMP KIT, Coolant	1.069
D 16	32. BOLT, Brg Cap (7/16"-14 x 3 11/32")	0.056		79. NIPPLE, Hose (2.89 x .88)	8.963
F 4	33. SHAFT, Distr to Oil Pump Inter	1.639	E 16	80. STUD, Coolant Pump	1.073
F 4	34. RETAINER, Distr to Oil Pump Shaft	1.639	D 18	81. SEAL, Eng Front Cover	0.219
F 4	35. PUMP, Oil	1.652	N 15	82. COVER, Fuel Pump Opening	3.901
F 4	36. BOLT, Oil Pump (7/16"-14 x 2")	1.652		83. WASHER, Lock (1/4")	8.931
F 2	37. SEAL, Oil Pan Rear	1.429		84. BOLT, Hex (1/4"-20 x 5/8")	8.900
E 25	38. PAN, Oil	1.426		85. SCREW, HWH (1/2"-20 x 7/16")	8.977
F 2	39. GASKET, Drain Screw (Nylon)	1.456	D 18	86. COVER, Eng Front (W/Pointer)	0.206
F 2	40. SCREW, Oil Pan Drain (1/2"-20 x 7/8")	1.453	D 18	87. GASKET, Eng Front Cover	0.207
G 25	41. CLIP, Plug Wire to Oil Pan-LH (9/32" x 19/64")	2.251	E 6	88. CHAIN, Timing	0.724
	42. BOLT, HWH (1/4"-20 x .44)	8.900		89. BOLT, Hex (5/16"-18 x 3/4")	8.900
	43. BOLT, HWH (5/16"-18 x 9/16")	8.900	E 6	90. SPROCKET, Camshaft	0.735
F 2	44. SEAL, Oil Pan Front	1.429	N 15	91. STUD, Pump Opg Cover (4.686)	3.901
G 18	45. BOLT, Starter Motor	2.042		92. BOLT, Hex (3/8"-16 x 3/4")	8.900
F 2	46. STUD, Oil pan (#4 & 5 RH Holes)	1.428	N 15	93. GASKET, Pump Mtg Plate	3.904
F 2	47. GASKET KIT, Oil Pan	1.429			

1Y00-004
121582



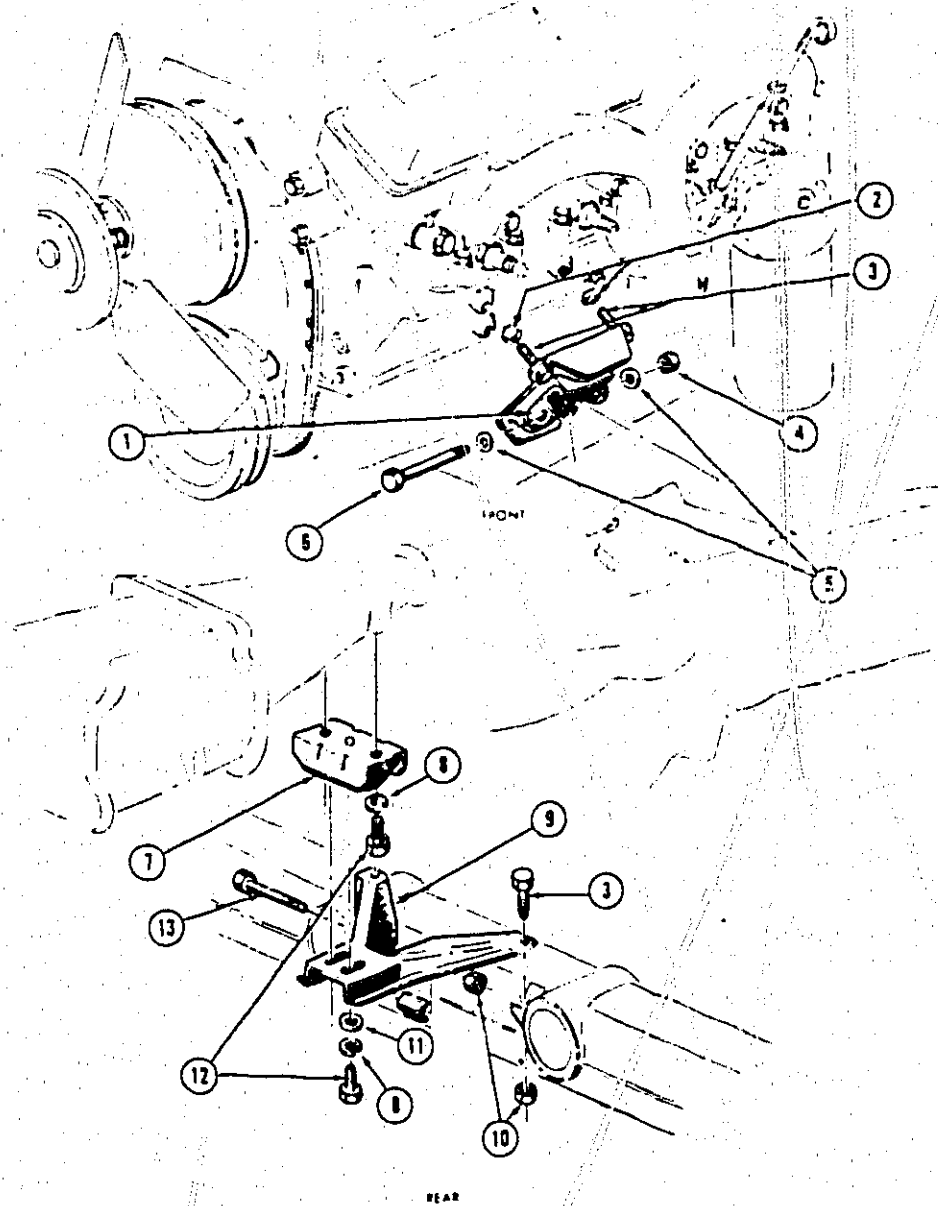
1Y00-004

1982 'Y' 5.7 LITER V8 ENGINE (L83/5.7-8) - PART II

1982 'Y' 5.7 LITER V8 ENGINE (L83/5.7-8) - PART II

N 5	1. NUT, Air Cleaner	3.403	N 5	51. STOVE, Eng Air Heat Otr	3.417
N 5	2. AIR CLEANER, TBI	3.402	N 23	52. SHIELD, Radio Ignition-LH	9.663
G 25	3. WIRE, Spark Plug (See Cat Chart)	2.240	G 25	53. SHIELD, Radio Ign & Spark Plug Rr-LH	2.251
	4. HOSE (3/4")	8.962		54. BOLT, Hex (1/4"-20 x 5/8")	8.900
F 6	5. TUBE, C/Case Vent	1.762		55. REINFORCEMENT, Shield (Part of #48)	N.S.
F 5	6. GROMMET, C/Case Vent-RH (3/4" I.D. x 1 1/8" Sq-Flat)	1.745		56. SCREW, Hex (1/4"-20 x 1/2")	8.977
G 25	7. RETAINER, Plug Wire (4 Wire-Nylon)	2.251	G 25	57. SUPPORT, Plug Wire	2.251
N 23	8. SHIELD, Radio Ignition	9.863	G 25	58. RETAINER, Plug 4 Wire (Slip On)	2.251
N 5	9. SEAL, Air Cleaner	3.403		59. BOLT, Hex (3/8"-16 x 1 1/4")	8.900
	10. BOLT, Hex (5/16"-18 x 7/8")	8.900	E 17	60. SENSOR, Thermo (Eng)	1.150
H 5	11. DISTRIBUTOR, Ignition	2.381	G 26	61. PLUG, Spark	2.270
N 15	12. BRACKET, Trans TV Cont Cable	4.047	D 21	62. VALVE, Exhaust	0.297
F 5	13. VALVE, C/Case Vent	1.745	D 20	63. VALVE, Intake	0.296
F 6	14. HOSE, C/Case Vent	1.762	D 26	64. LIFTER, Valve	0.459
N 13	15. THROTTLE BODY INJECTION (See Cat Illust)	3.725	N 7	65. GASKET, Exhaust Manifold	3.602
N 14	16. GASKET, Throttle Body Injection	3.726	N 7	66. GASKET, Exhaust Manifold Ctr	3.602
F 5	17. GROMMET, C/Case Vent-LH (3/4" I.D. x 1 1/8" Sq-Ramped)	1.745	N 7	67. STRAP, Exh Manif Heat Shield	3.602
E 18	18. CLAMP, Worm (.50"-97")	1.186	N 6	68. MANIFOLD, Exhaust-RH	3.601
	19. BOLT, Hex (3/8"-16 x 1 1/4")	8.900	N 9	69. VALVE, Air Inj Eng Check	3.670
H 6	20. CLAMP, Distributor	2.363	N 7	70. SHIELD, Exh Manif Heat-RH	3.602
H 6	21. GASKET, Distributor	2.363		71. SCREW, HWH (#10-16 x 3/8")	8.977
	22. BOLT, Hex (5/16"-18 x 1 1/4")	8.900	N 4	72. STUD, Exh Manif #1 Hole-RH (3/8"-16 x 4 3/32")	3.275
N 9	23. VALVE, EGR	3.670	N 4	73. STUD, Exh Manif (3/8"-16 x 1 9/16")(9.171)	3.275
N 12	24. GASKET, EGR Valve	3.680	N 3	74. GASKET KIT, Exh Manifold	3.270
	25. BOLT, Hex (3/8"-16 x 1")	8.900	N 3	SEALANT, Int Manif Ends (8.800)	3.270
	26. BOLT, Hex (1/4"-20 x 5/8")	8.900	D 19	75. GASKET, Cyl Head	0.289
F 6	27. CAP, Oil Filler	1.758	D 19	76. HEAD, Cylinder	0.269
F 5	28. TUBE, Oil Filler	1.745	N 5	77. STUD, Manif Oil Splash Guard (#8 x 3/8")	3.417
F 5	29. NUT, Oil Filler Tube	1.844	N 3	78. GUARD, Manif Oil Splash	3.265
F 7	30. GASKET, Oil Filler Tube	1.844	N 3	79. MANIFOLD, Intake	3.265
	31. COVER, Valve Rocker Arm EMBLEM, Rkr Arm Cvr	3.086	E 20	80. THERMOSTAT, Coolant Temp	1.246
D 25	32. NUT, Valve Rocker Arm	0.429	E 17	81. GASKET, Coolant Outlet	1.154
D 25	33. BALL, Rocker Arm	0.429	E 17	82. OUTLET, Coolant	1.153
D 23	34. ARM, W/3Ball, Valve Rocker	0.333	N 3	83. STUD, Int Manif (3/8"-16 x 1 11/16"/3/8"-16 x 1 9/16")	3.265
D 23	35. KEY, Valve Spring	0.310	G 25	84. SUPPORT, Plug Wire Rr Lwr-RH	2.251
G 25	36. SUPPORT, Plug Wire-LH	2.251	N 12	85. SENSOR, Coolant Temp	3.682
G 25	37. GROMMET, Plug Wire	2.251	G 25	86. SHIELD, Spark Plug Frt-RH	2.251
D 23	38. ROTATOR, Exhaust Valve	0.309	G 25	87. SHIELD, Radio Ign Side Inr	2.251
D 23	39. SEAL, Valve Stem Oil ("O" Ring Type)	0.308	G 25	88. SHIELD, Radio Ign & Spark Plug Rr Heat	2.251
D 23	40. SHIELD, Valve Stem Oil	0.308	D 24	89. STUD, Vlv Rkr Cvr Side Rr Outboard (8.981)	0.413
D 22	41. SPRING, W/Damper, Valve	0.303	N 6	90. SUPPORT, Accel Cont Cable-LH	3.454
D 25	42. STUD, Valve Rkr Arm	0.429	N 14	91. STUD, TBI (5/16"-18 Both Ends)	3.726
D 20	43. BOLT, Cyl Hd (7/16"-14 x 5")	0.293	N 10	92. STUD, TBI (3/8"-16 x 1.823)(2.277)	3.671
D 25	44. ROD, Valve Push	0.426	N 10	93. BRACKET, EGR Cont Vlv Relay Solenoid	3.671
D 23	45. SEAL, Int/Exh Valve Stem Oil	0.308		94. CLAMP, Elbow to A/C	N.S.
D 20	46. BOLT, Cyl Hd (7/16"-14 x 3 3/4")	0.293	N 5	95. PIPE, Htd Air (1 1/2" Dia)	3.417
D 20	47. BOLT, Cyl Hd (7/16"-14 x 1 3/4")	0.293	N 5	96. ELBOW, Carb Air Heat Stove	3.417
N 5	48. STOVE, Eng Air Heat Inr	3.417	N 5	97. STUD, Air Cleaner (M8 x 1 x 76)	3.403
N 6	49. MANIFOLD, Exhaust-LH	3.601			
N 7	50. STUD, Exh Manif (3/8"-16 x 2 9/16")	3.613			

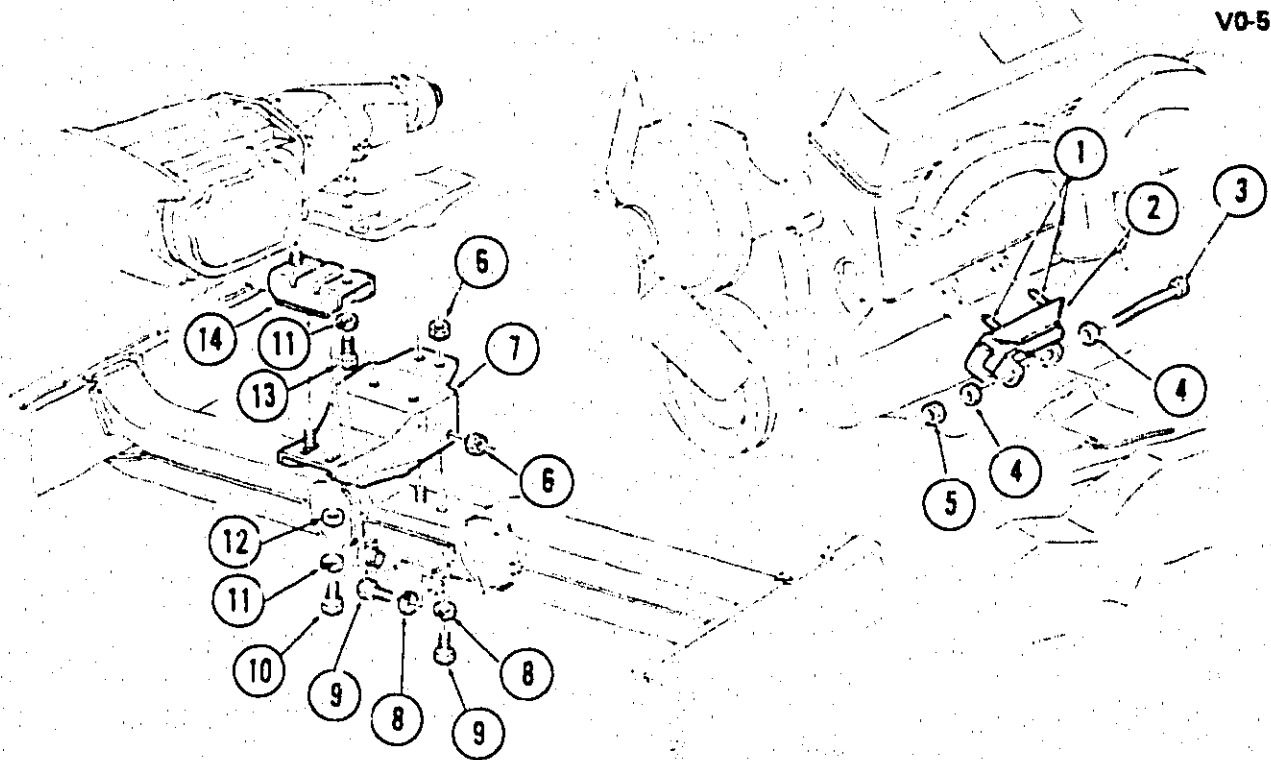
V0-13



V0-13

1963-67 'Y' ENGINE & TRANSMISSION MOUNTINGS

D 15	1. MOUNTING ASM	0.027	N 15	7. SUPPORT	4.081
	2. WASHER, Lock (3/8")	8.931	D 15	8. WASHER, Lock (7/16")	8.931
	3. BOLT, (3/8"-16 x 7/8")	8.900		9. BRACKET	0.029
	4. NUT (7/16"-20)	8.917		10. NUT (3/8"-16)	8.917
	5. WASHER (7/16")	8.929		11. WASHER (15/32")	8.929
	6. BOLT (7/16"-20 x 4")	8.900		12. BOLT (7/16"-14 x 1")	8.900
				13. BOLT (3/8"-16 x 2 1/4")	8.900

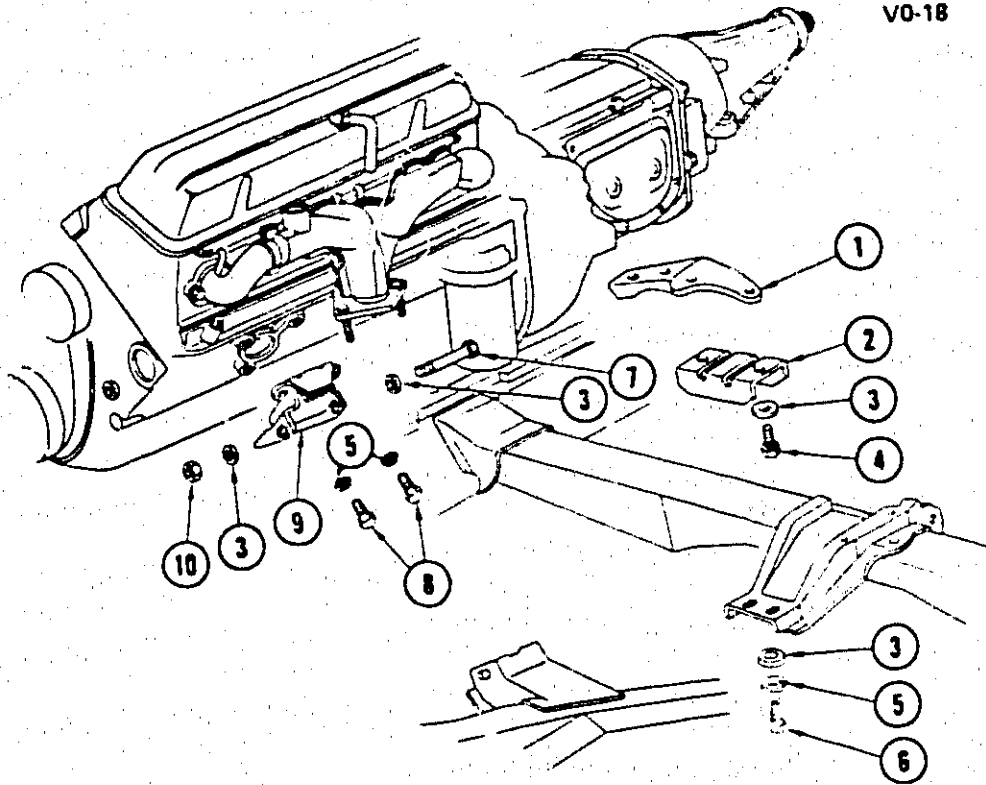


V0-5

1968-79 'Y' ENGINE & TRANSMISSION MOUNTING

	1. BOLT (3/8"-16 x 15/16")	8.900
	2. MOUNTING ASM	0.027
	3. BOLT (7/16"-20 x 4")	8.900
	4. WASHER (7/16")	8.929
	5. NUT (7/16"-20)	8.917
	6. NUT (3/8"-16)	8.915
D 15	7. BRACKET, Transmission Mounting	0.029
	8. WASHER (3/8")	8.931
	9. BOLT (3/8"-16 x 3/4")	8.900
	10. BOLT (7/16"-14 x 1 1/8")	8.900
	11. WASHER (7/16")	8.931
	12. WASHER (15/32" x 1 1/4" x 3/16")	8.929
	13. BOLT (7/16"-14 x 1")	8.900
N 15	14. MOUNTING ASM, Transmission	4.081

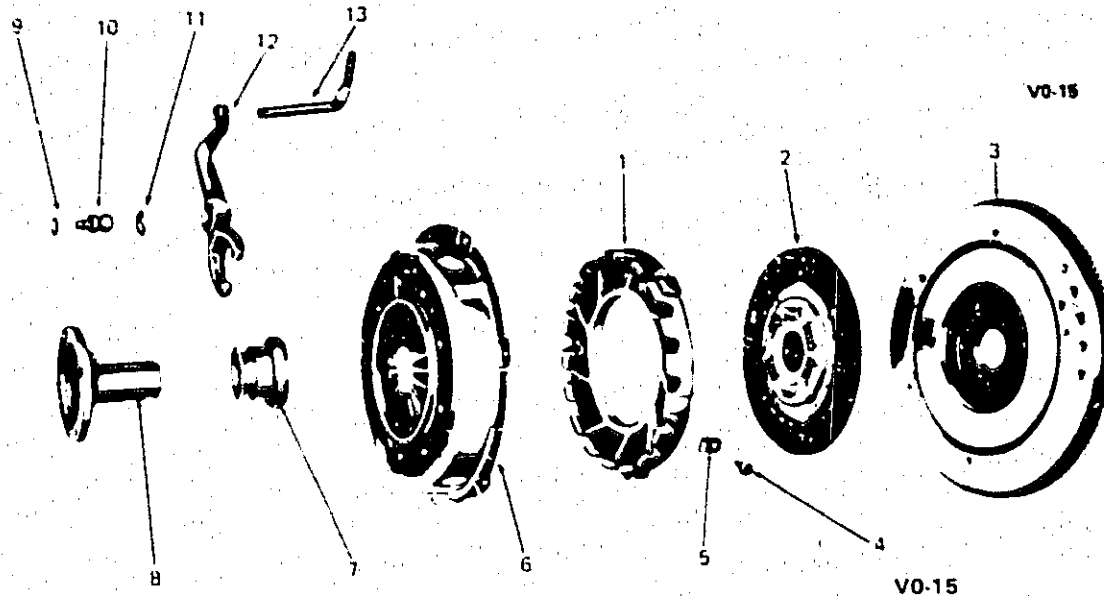
V0-18



V0-18

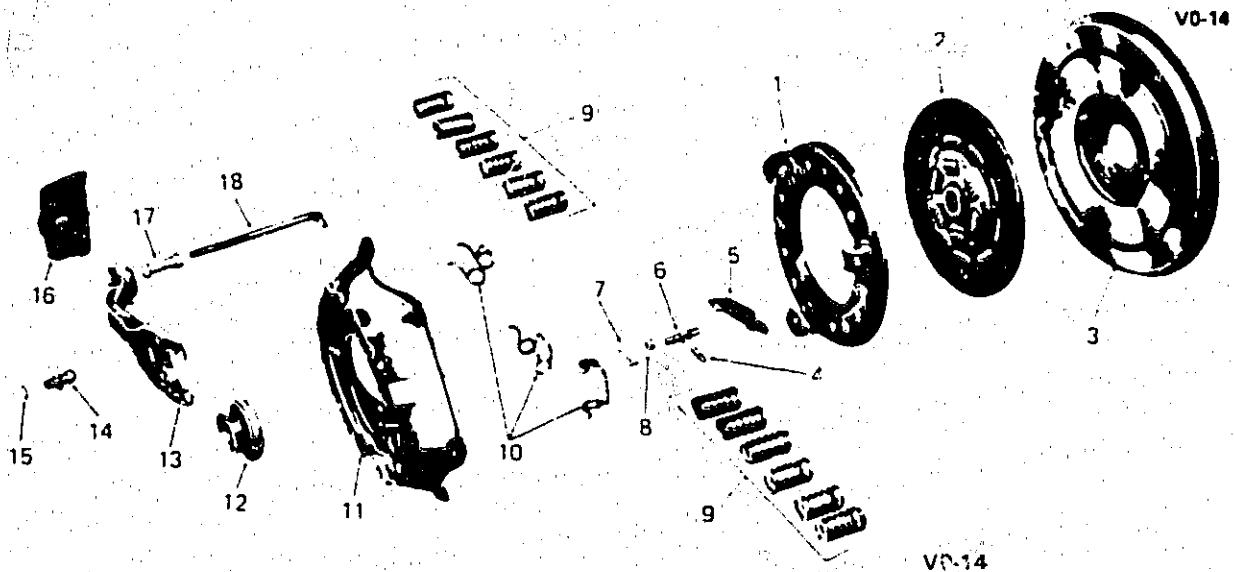
1980-82 'Y' ENGINE & TRANSMISSION MOUNTING

N	8	1. HANGER, Exh C/Ovr Pipe	3.616
N	15	2. MOUNT, Trans (M/T)	4.081
N	15	MOUNT, Trans (A/T)	4.081
		3. WASHER, Flat	8.929
		4. BOLT (M10 x 1.5 x 35)	8.900
		5. WASHER, Lock	8.931
		6. BOLT (7/16-14 x 1 1/4)	8.900
		7. BOLT (7/16-14 x 4 7/16)	8.900
D	15	8. BOLT (3/8-16 x 15/16)	0.002
D	15	9. MOUNT, Eng	0.027
		10. NUT (7/16-14)	8.917



DIAPHRAGM SPRING TYPE CLUTCH DETAILS

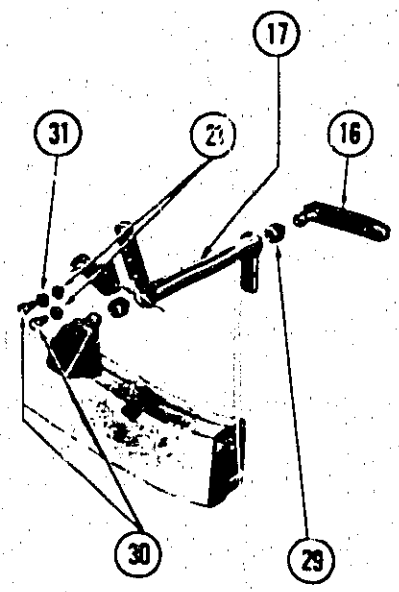
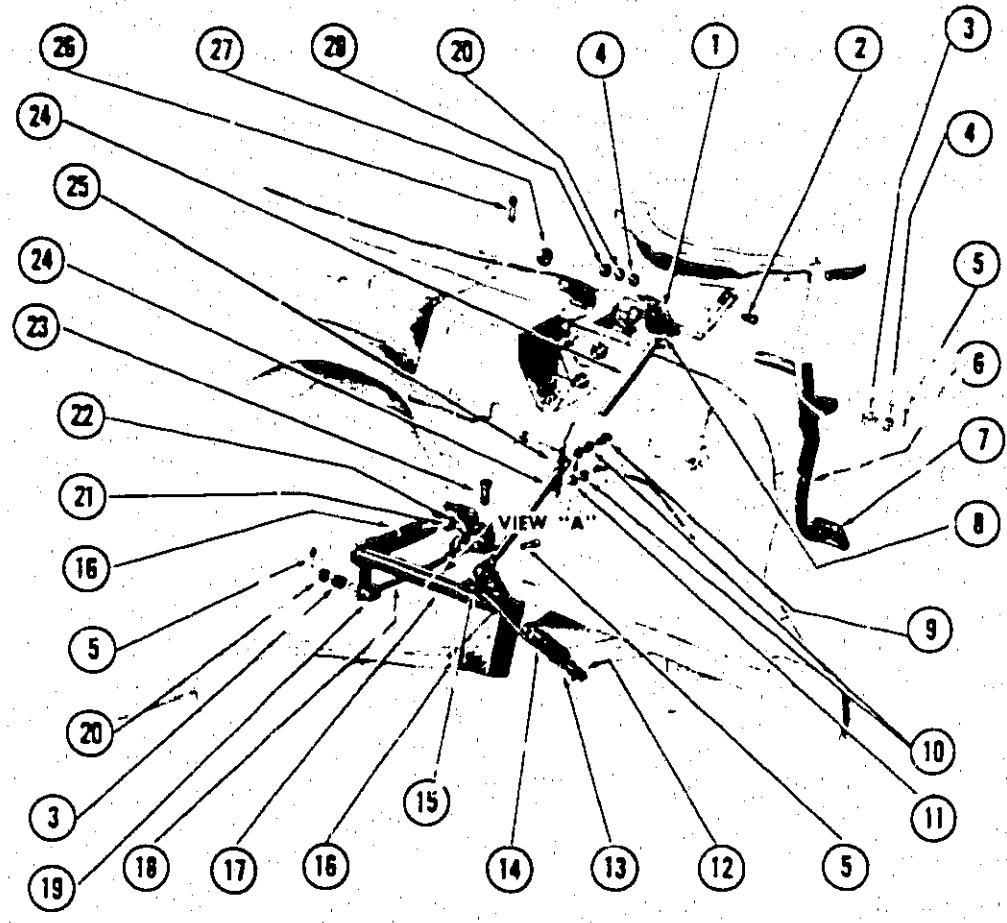
E 8	1. PLATE	0.863	E 7	7. BEARING	0.799
E 9	2. DISC	0.886	N 15	8. RETAINER	4.356
E 4	3. FLYWHEEL	0.666		9. WASHER	8.932
E 8	4. BOLT	0.864	E 6	10. SCREW	0.796
E 8	5. SPRING	0.864	E 6	11. SPRING	0.796
E 8	6. COVER	0.859	E 6	12. FORK UNIT	0.795
			E 6	13. ROD	0.787



COIL SPRING CLUTCH DETAILS

E 8	1. PLATE	0.863	E 6	10. FORK UNIT	0.795
E 9	2. DISC	0.886	E 6	11. STUD	0.796
E 4	3. FLYWHEEL	0.666		12. WASHER	8.932
E 9	4. PIN	0.875	E 7	13. BOOT	0.797
E 8	5. SPRING	0.864	E 6	14. NUT	0.793
E 9	6. NUT	0.873	E 6	15. ROD	0.787
E 9	7. SPRING	0.878	E 9	16. STRUT	0.875
E 8	8. COVER	0.861	E 9	17. BOLT	0.873
E 7	9. BEARING	0.799	E 9	18. LEVER	0.874

VO-16



VIEW "A"

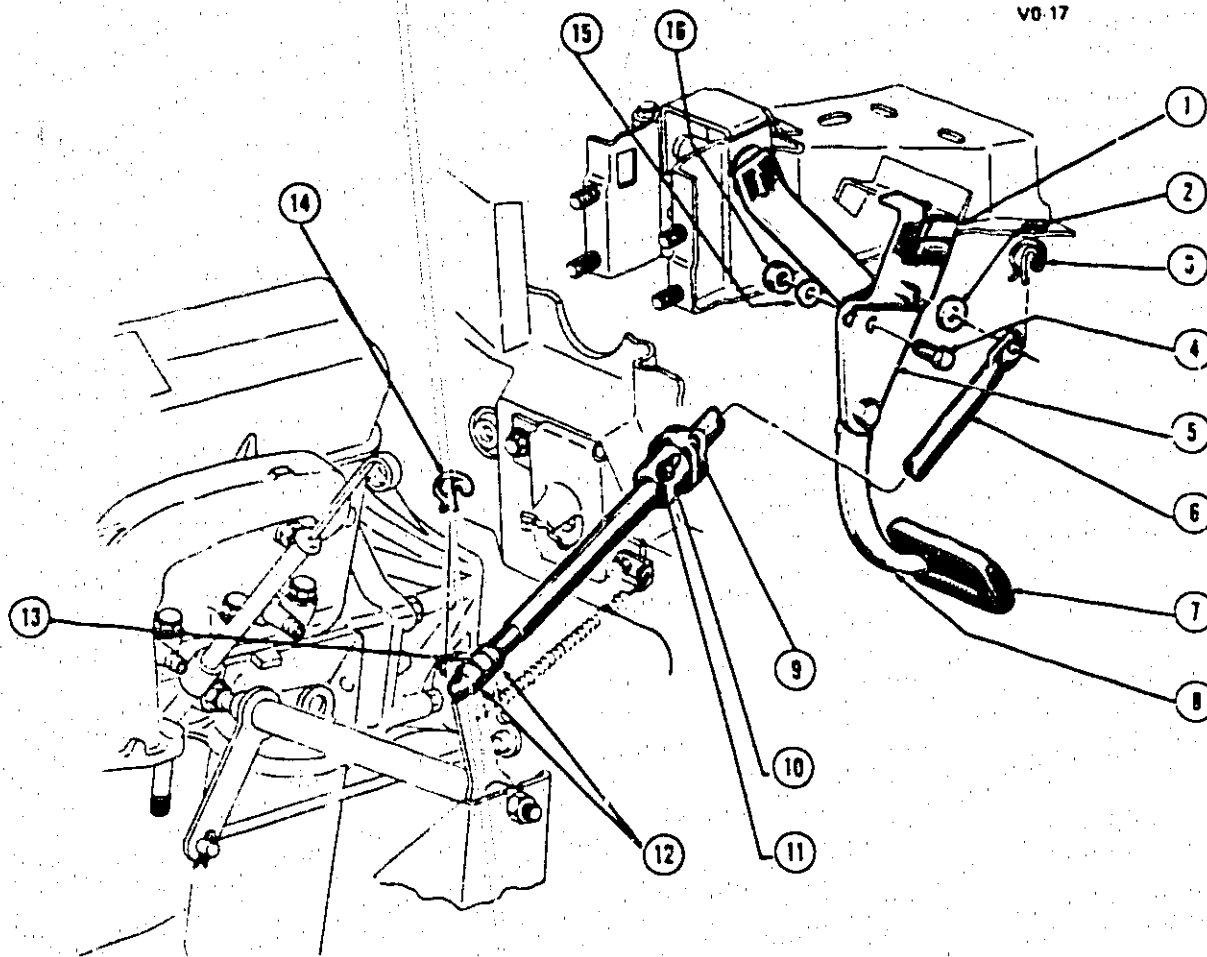
VO-16

1958-62 'Y' CLUTCH LINKAGE

V0-16

1958-62 'Y' CLUTCH LINKAGE

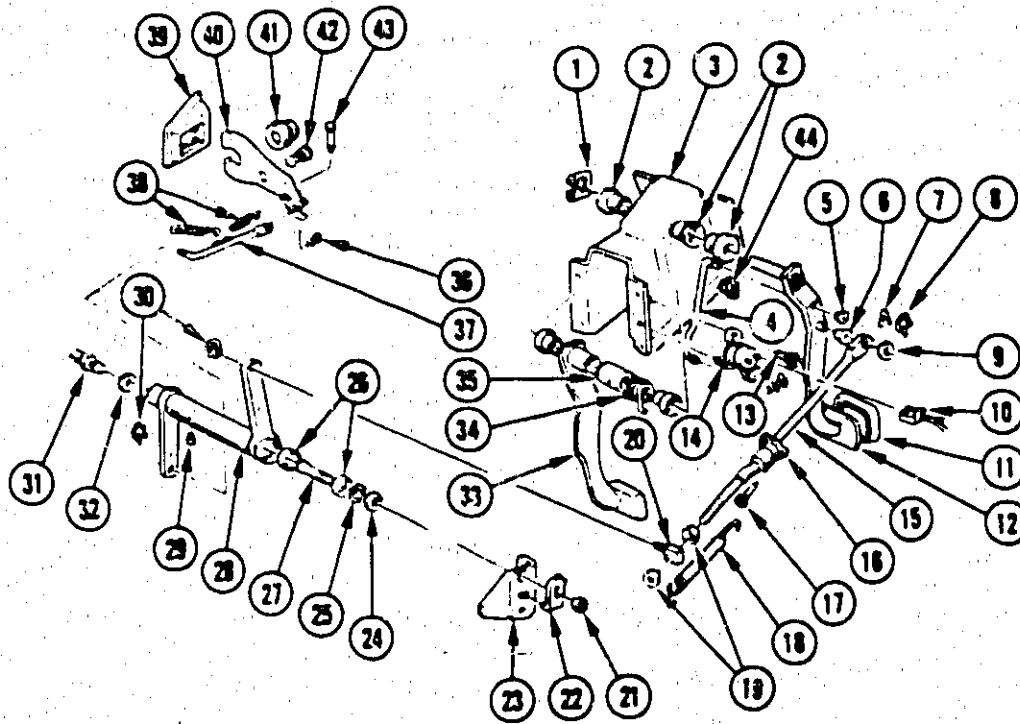
E 7	1. BRACKET	0.829
	2. BOLT (5/16"-18 x 3/4")	8.900
	3. SPRING	N.S.
	4. WASHER (5/16")	8.929
	5. COTTER PIN (3/32" x 1)	8.938
E 7	6. PEDAL	0.830
N 17	7. COVER	4.630
E 7	8. BUMPER	0.829
	9. SCREW, Type "B" (#10-16 x 1/2")	8.977
	10. WASHER, Lock (#10)	8.931
	11. WASHER, 7/32" Dia (#10)	8.929
E 7	12. HOOK	0.846
E 7	13. BRACKET	0.846
E 7	14. SPRING	0.844
	15. LEVER, Part of 0.846 SPRING UNIT	N.S.
E 7	16. BRACKET	0.852
E 7	17. SHAFT	0.852
E 6	18. ROD	0.787
E 6	19. SWIVEL	0.787
	20. WASHER, Lock (5/16")	8.931
	21. WASHER, Lock (3/8")	8.931
	22. BOLT (3/8"-16 x 7/8")	8.900
E 6	23. PIN	0.793
E 7	24. ROD	0.854
E 7	25. RETAINER	0.829
	26. COTTER PIN (1/8" x 1")	8.938
	27. WASHER (5/8")	8.929
	28. NUT (5/16"-18)	8.915
E 7	29. WASHER	0.837
	30. BOLT (3/8"-24 x 3/4")	8.900
	31. WASHER (3/8")	8.929



V0-17

1963-67 'Y' CLUTCH LINKAGE

E	7	1. BUMPER	0.829
		2. WASHER (11/32")	8.929
E	6	3. CLIP	0.787
		4. BOLT (5/16"-18 x 1")	8.900
E	7	5. BRACKET ASM	0.852
E	7	6. ROD	0.854
N	17	7. COVER	4.630
E	7	8. PEDAL	0.830
E	7	9. SEAL	0.829
E	7	10. RETAINER	0.829
		11. BOLT (1/4"-20 x 1/2")	8.900
		12. NUT (3/8"-16)	8.916
E	6	13. SWIVEL	0.787
E	6	14. CLIP	0.787
		15. WASHER, Lock (9/16")	8.931
		16. NUT (5/16"-18)	8.915



1968-82 'Y' CLUTCH LINKAGE

N 17	1. RETAINER, Clutch Pedal Shaft	4.634			
N 17	2. BUSHING, Pedal Shaft	4.626	E 7	24. WASHER, Stud Dust Seal to Frame	N.S.
N 17	3. REINFORCEMENT, Pedal Mtg	4.634		(Felt-9/16" 90/80 x 13/8" OD)	0.851
N 15	4. ROD, Neutral Start Switch	4.054	E 7	25. SPRING, Frm Stud St, Ret (1" OD)	0.851
N 15	5. BUSHING, Neutral Start Switch	4.054	E 7	26. SEAT, Stud (7/8" Dia)	0.851
E 7	6. WASHER, Clutch Pedal Push (11/32")	0.337	E 7	27. STUD, to Frame	0.851
	7. RETAINER, Neutral Start Switch	8.934	E 7	28. LEVER, W/Shaft	0.852
	8. CLIP, Rod	8.934		29. PLUG, Lever	N.S.
	9. WASHER, (5/16" x 53/64")	8.929	N 15	30. RETAINER, Trans Cont Rod	4.027
N 17	10. WIRE ASM, Neutral Safety Switch	N.S.	E 7	31. STUD, to Engine	0.851
N 17	11. COVER, Pedal	4.630	E 7	32. WASHER, Stud Dust Seal	0.851
E 7	12. PEDAL ASM, Clutch	0.830	N 17	33. PEDAL ASM, Brake	4.625
	13. BOLT, Switch	8.900	N 17	34. SPRING, Pedal Return	4.760
N 15	14. SWITCH ASM, Clu Oper Neu Start	4.054	N 17	35. BUSHING, Pedal Return Spring Bush	4.626
E 7	15. ROD, Pedal Push	0.854		36. PIN, (3/32" x 1")	8.938
E 7	16. SEAL, Pedal Push Rod Dash	0.829	E 6	37. ROD, Fork Push (8 37/64" OL)	0.787
E 7	17. BOLT, (1/4"-20 x 1/2")	8.900	E 7	38. SPRING, Clutch Fork Push Rod Ret	0.844
E 7	18. SPRING, Pedal Return	0.844	E 7	39. BOOT, Clutch Fork	0.797
	19. NUT, (3/8"-16)	8.916	E 6	40. FORK ASM, Clutch Release	0.795
E 6	20. SWIVEL, Pedal Push Rod	0.787	E 7	41. BEARING, Clu Throwout (1 7/32" OL)	0.799
	21. NUT (3/8"-16)	8.915	E 6	42. STUD, Clutch Fork	0.796
E 7	22. WASHER, (61/64" x 9/16")	0.851	E 6	43. PIN, Push Rod to Fork (1 1/2" OL)	0.793
			E 7	44. BUMPER, Pedal	0.829

ILLUS

1

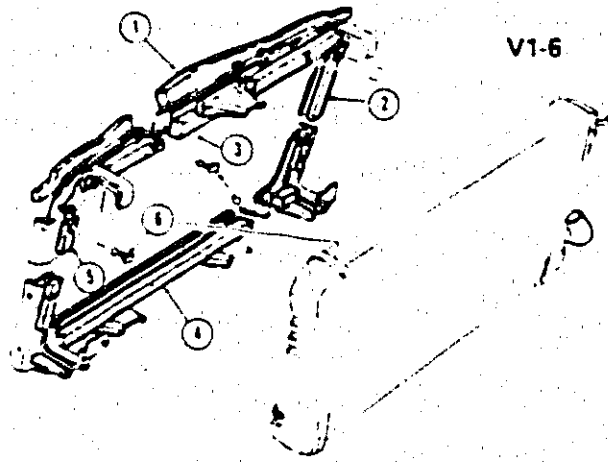


CHEVROLET CHASSIS GROUP 1.000



ILLUSTRATION INDEX

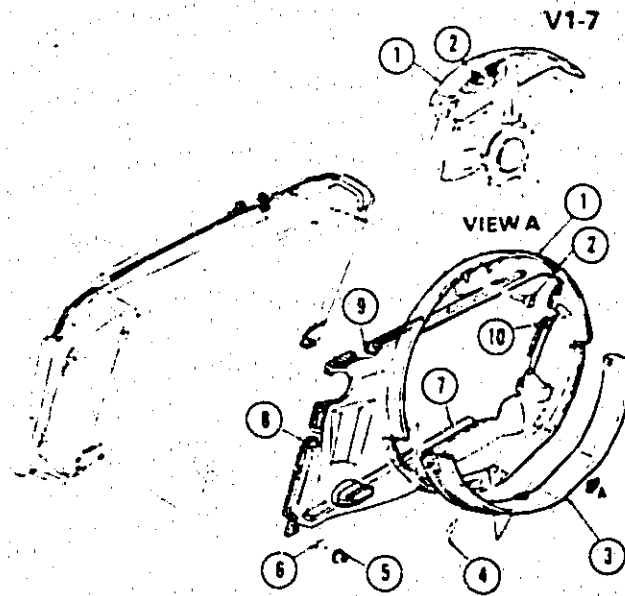
	TITLE	GRID
1968-73	*Y* RADIATOR SEALS	K17
1968-74	*Y* RADIATOR SHROUD EXTENTION AND SEALS (427,454)	K17
1968-74	*Y* H.D. RADIATOR AND SUPPORT (427,454)	K18
1968-74	*Y* RADIATOR SUPPORT AND BRACKETS (EXC H.D. RADIATOR)	K18
1958-60	*Y* RADIATOR GRILLE	K19
1963-64	*Y* RADIATOR GRILLE	K20
1965-67	*Y* RADIATOR GRILLE	K21
1968	*Y* RADIATOR GRILLE	K22
1969	*Y* RADIATOR GRILLE	K23
1970-72	*Y* RADIATOR GRILLE	K24
1973-74	*Y* RADIATOR GRILLE	K25
1975-79	GRILLE & RELATED PARTS	K26
1980-82	*Y* GRILLE & RELATED PARTS	K27
1966-82	VB ENGINE OIL PUMP (EXC 427,454)	L2
1966-74	ENGINE OIL PUMP (427,454)	L3
1978-79	*Y* PULLEYS & BELTS	L4
1980	*Y* PULLEYS & BELTS	L5
1981-82	*Y* PULLEYS & BELTS	L5



V1-6

1968-74 'Y' RADIATOR SEALS

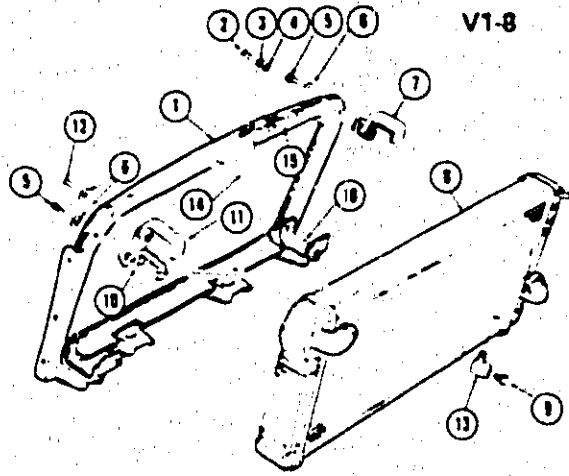
E 23	1. SEAL, Supt to Hood	1.274	E 23	4. SEAL, Supt Lwr (Cut from 334786)	1.274
E 23	2. SEAL (Cut from 334786)	1.274	E 23	5. SEAL, Supt (Cut from 334786)-LH	1.274
E 23	3. SEAL, Supt Upr	1.274	E 21	6. FASTENER	1.270



V1-7

1968-74 'Y' RADIATOR SHROUD EXTENTION AND SEALS (427,454)

E 24	1. SHROUD	1.277	E 23	6. WASHER, Shroud Lwr	8.931
	2. BOLT	8.900	E 23	7. SEAL, Shroud Lwr	1.274
E 24	3. EXTENSION ASM	1.277	E 23	8. SEAL, Shroud (Cut from 334786)-LH	1.274
	4. SCREW ASM (#10-24 x 1")	8.907	E 23	9. SEAL, Shroud Upr (Cut from 3954569)	N.S.
	5. NUT (1/4"-20)	8.915	E 23	10. SEAL, Shroud (Cut from 334786)-RH	1.274

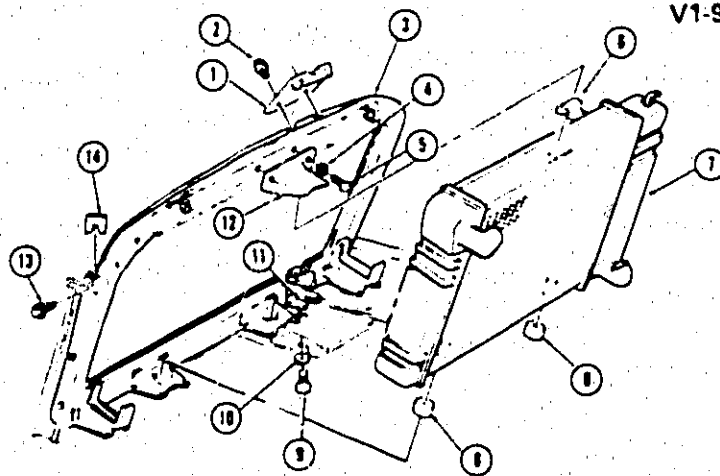


V1-8

V1-8

1968-74 'Y' H.D. RADIATOR AND SUPPORT (427,454)

E 21	1. SUPPORT ASM, Radiator	1.270	E 19	8. RADIATOR	1.219
	2. BOLT (5/16"-18 x 1 5/8")	8.900		9. PLUG	8.971
	3. WASHER (5/16")	8.931	E 21	10. INSULATOR, Radiator Support	1.270
	4. WASHER	8.929	E 21	11. PLATE ASM, Left Side	1.270
	5. BOLT (1 1/8")	8.900		12. BOLT (5/16"-18 x 1 1/4")	8.900
	6. WASHER (5/16")	8.932		13. ELBOW	8.963
E 21	7. PLATE ASM, Right Side	1.270	E 21	14. BRACKET ASM, Rad Supt	1.270
			E 24	15. BRACKET ASM, Fan Shroud Supt	1.277

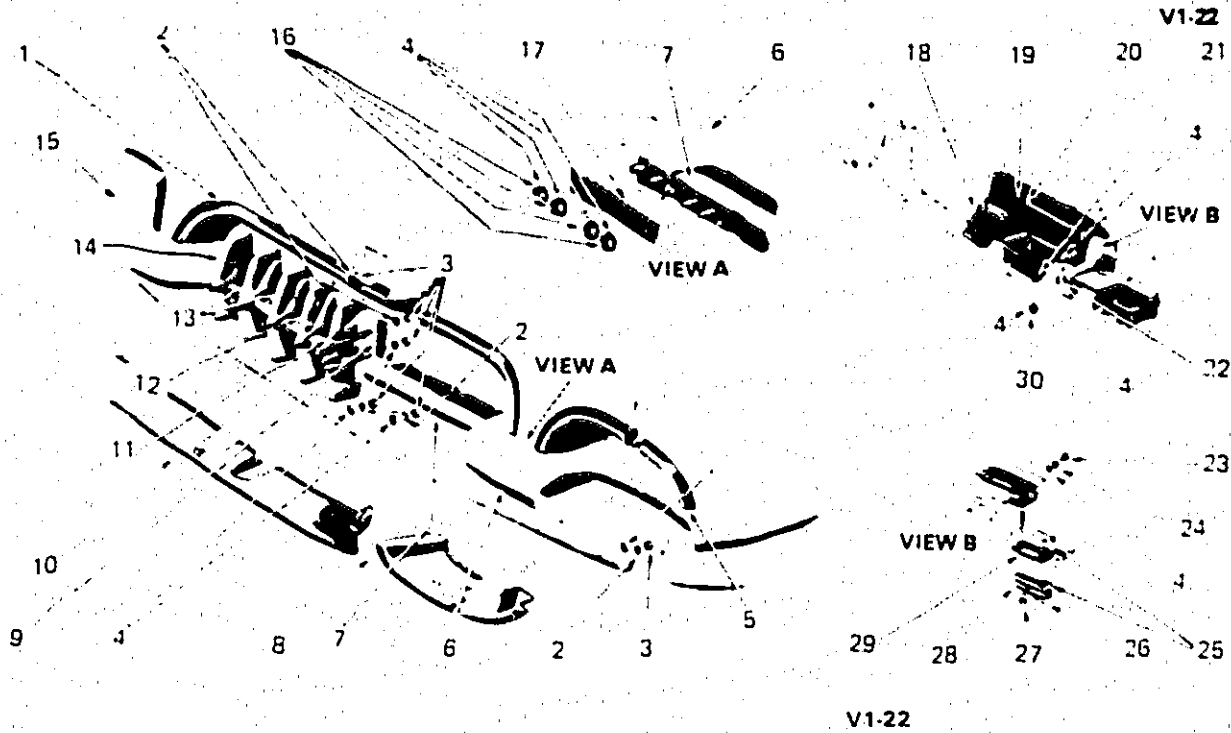


V1-9

V1-9

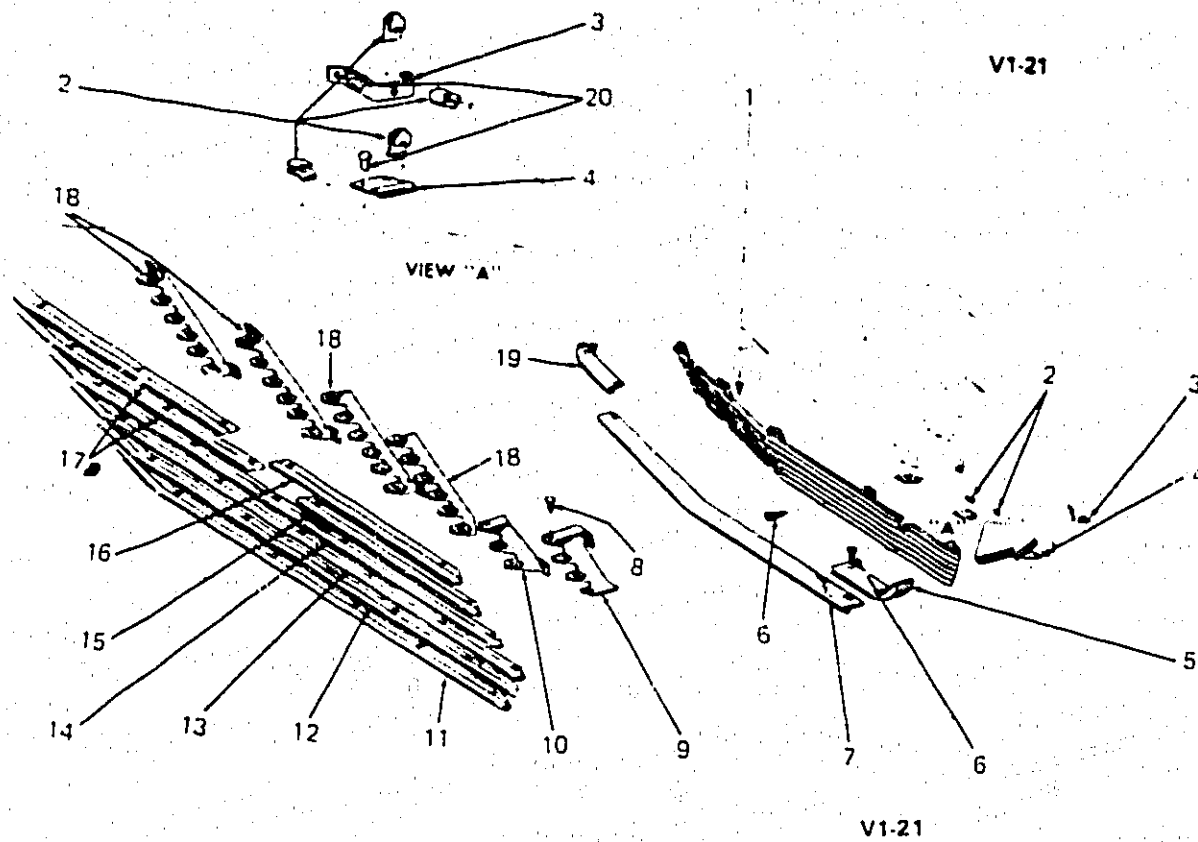
1968-74 'Y' RADIATOR SUPPORT AND BRACKETS (EXC H.D. RADIATOR)

E 24	1. BRACKET ASM, Fan Shroud Supt	1.277		8. CUSHION, Lwr	N.S.
	2. SCREW ASM	8.977		9. BOLT (7/16"-14 x 1")	8.900
E 21	3. SUPPORT ASM, Radiator	1.270		10. WASHER	8.929
	4. WASHER (5/16")	8.931	E 21	11. SHIM, Radiator Supt Lwr	1.270
	5. BOLT (5/16"-18 x 1 5/8")	8.900	E 21	12. BRACKET ASM, Rad Support	1.270
E 21	6. CUSHION, Upr	1.270		13. SCREW ASM (5/16"-18 x 1 1/16")	8.900
E 19	7. RADIATOR	1.219		14. SHIM	N.S.



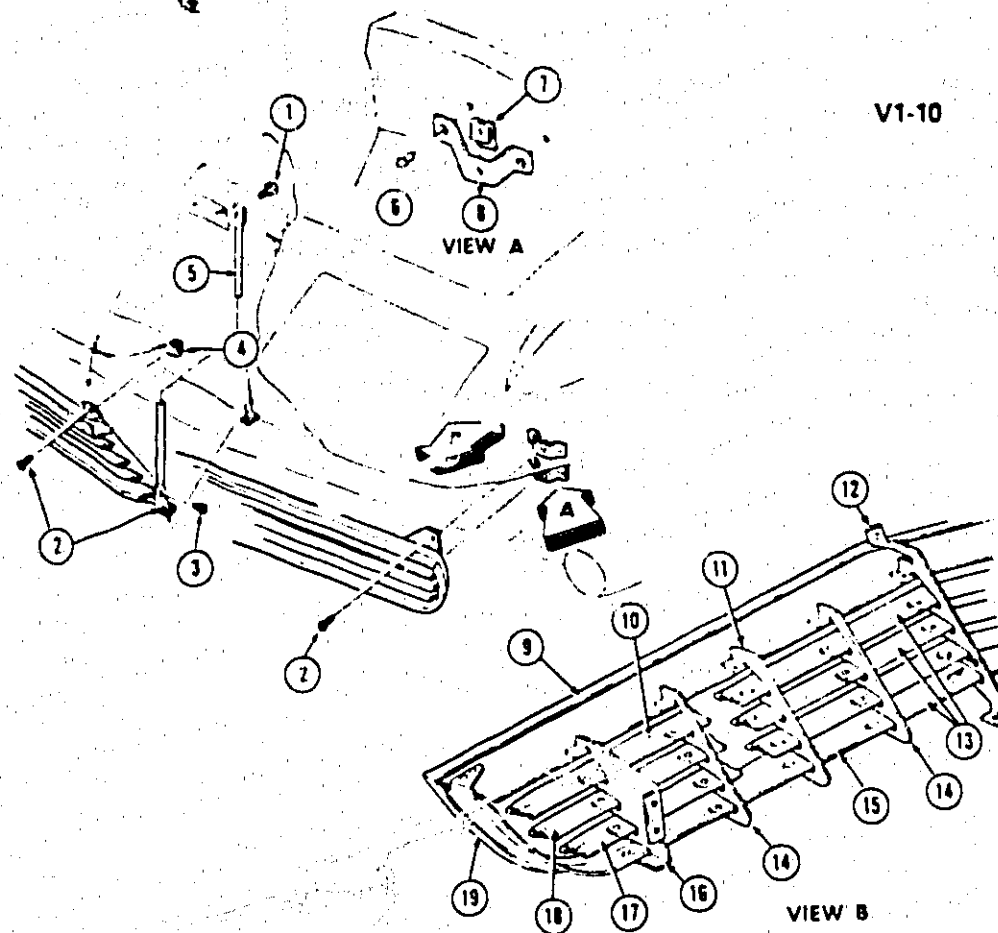
1958-60 'Y' RADIATOR GRILLE

E 21	1.	1.268	MOLDING, Upper	3799991
	2.	8.931	WASHER, Lock	
	3.	8.915	NUT	193232
	4.	8.929	WASHER	120392
E 21	5.	1.268	MOLDING, Upper-LH	3740209
E 21		1.268	MOLDING, Upper-RH	3740210
N 18	6.	7.831	BAR	3739385
N 18	7.	7.831	MOLDING, Center	3743622
E 21	8.	1.268	MOLDING, Lower-LH	3740211
E 21		1.268	MOLDING, Lower-RH	3740212
	9.	N.S.	PLATE	
E 21	10.	1.268	MOLDING, Lower	3799993
	11.	N.S.	MOLDING, Vertical-Center	
	12.	N.S.	MOLDING, Vertical-LH, RH	
	13.	N.S.	MOLDING, Vertical-LH, RH, 2 & 3	
	14.	N.S.	MOLDING, Vertical-LH, RH, 4	
	15.	N.S.	BAR	
	16.	8.915	NUT	124824
	17.	N.S.	PLATE, Center Bar	
E 23	18.	1.272	BAFFLE	3740282
	19.	N.S.	DRAIN	
	20.	N.S.	HOSE (1 1/32")	
E 21	21.	1.269	NUT	3713542
	22.	8.907	BOLT	
	23.	8.900	BOLT	180018
	24.	8.931	WASHER, Lock	453435
E 21	25.	1.270	CUSHION	367314
	26.	N.S.	PLATE, Lock	
	27.	8.915	NUT	9414034
	28.	N.S.	PLATE, Spacer	
	29.	N.S.	SHIM	
N 22	30.	8.143	SCREW	3650059



1963-64 'Y' RADIATOR GRILLE

	1.	N.S.	GRILLE ASM	
	2.	8.921	NUT (#10-12)	
E 21	3.	1.267	BRACKET	3797243
E 21	4.	1.269	RETAINER	3797236
E 21	5.	1.268	MOLDING	3793233
	6.	8.977	SCREW (#10-12 x 5/8")	
E 21	7.	1.268	MOLDING	3797235
	8.	8.967	RIVET (1/8" x 1/4")	
	9.	N.S.	SUPPORT	
	10.	N.S.	SUPPORT	
	11.	N.S.	BAR	
	12.	N.S.	BAR	
	13.	N.S.	BAR	
	14.	N.S.	BAR	
	15.	N.S.	BAR	
	16.	N.S.	BAR	
	17.	N.S.	BAR	
E 21	18.	1.267	SUPPORT	3831928
E 21	19.	1.268	MOLDING	3797234
	20.	N.S.	RIVET	



V1-10

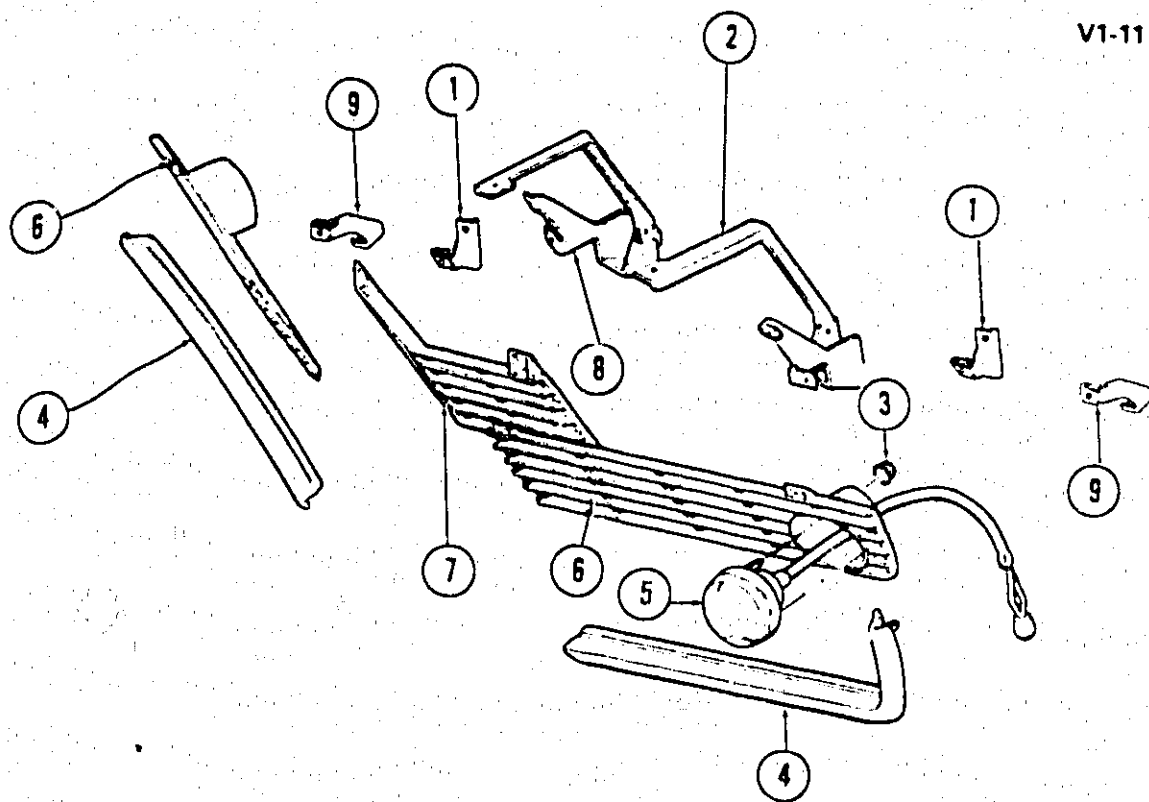
V1-10

1965-67 'Y' RADIATOR GRILLE

- | | | | | |
|------|-----|-------|---------------------------------|-------|
| | 1. | 8.977 | SCREW (1/4"-14 x 5/8")(Type BA) | |
| | 2. | 8.913 | SCREW (1/4"-20 x 5/8") | |
| | 3. | 8.900 | BOLT (3/8"-16 x 1/2") | |
| | 4. | 8.921 | NUT, "U" (1/4"-20) | |
| E 25 | 5. | 1.287 | ROD (#1) | |
| | 6. | 8.997 | RIVET | |
| | 7. | 8.921 | NUT, "U" (1/4"-20) | |
| | 8. | N.S. | BRACKET, Grille Mounting | |
| | 9. | N.S. | MOLDING, Upper | |
| | 10. | N.S. | BAR, #1 Outer-LH | |
| | | N.S. | BAR, #1 Outer-RH | |
| | 11. | N.S. | SUPPORT, #2 Intermediate | |
| | 12. | N.S. | SUPPORT, Center | |
| | 13. | N.S. | BAR, #1, 2, 3 Center | |
| | 14. | N.S. | SUPPORT, #1, 3 Intermediate | |
| E 21 | 15. | 1.268 | MOLDING, Center, Lower | |
| | 16. | N.S. | SUPPORT, Outer | |
| | 17. | N.S. | BAR, #3 Outer-LH | |
| | | N.S. | BAR, #3 Outer-RH | |
| | 18. | N.S. | BAR, #2 Outer-LH | |
| | | N.S. | BAR, #2 Outer-RH | |
| | 19. | N.S. | MOLDING, Side | |
| | | N.S. | MOLDING, Side | |

3860578

NOTE 1: Removed from service.



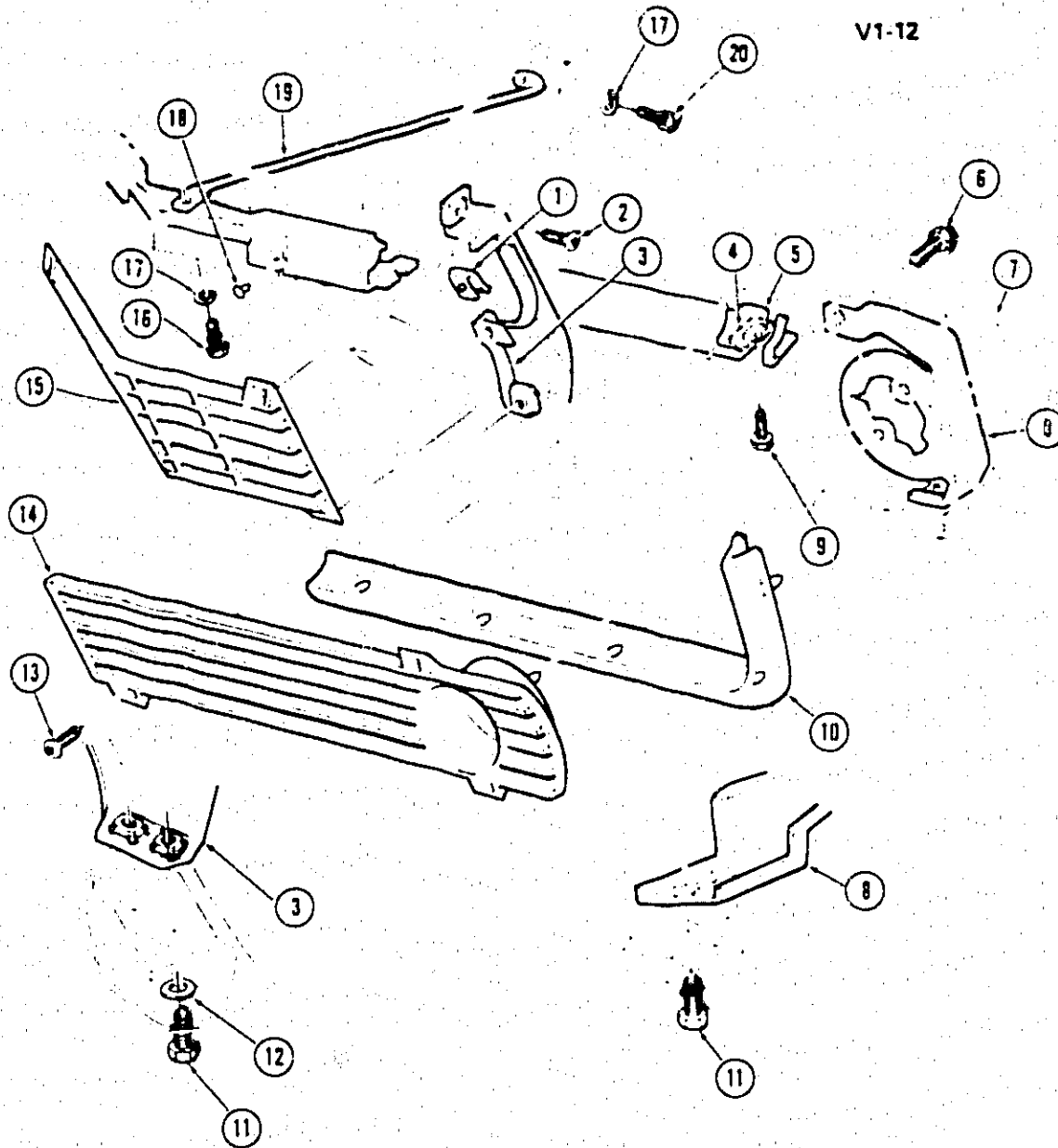
V1-11

V1-11

1968 'Y' RADIATOR GRILLE

	1.	N.S.	SUPPORT, Outer Grille Upper-LH	
		N.S.	SUPPORT, Outer Grille Upper-RH	
	2.	N.S.	SUPPORT, Outer Grille Inner	
	3.	8.921	NUT (1/4")	
E 21	4.	1.268	MOLDING, Outer Grille LH	3915847
E 21		1.268	MOLDING, Outer Grille-RH	3915848
H 18	5.	2.585	LAMP ASM, Parking	916765
E 21	6.	1.266	GRILLE, Radiator, Outer-LH	3966553
E 21		1.266	GRILLE, Radiator, Outer-RH	3966554
E 21	7.	1.266	GRILLE, Center	3966555
E 21	8.	1.267	SUPPORT, Outer Grille Inner	
E 21	9.	N.S.	SUPPORT, Outer Grille Lower-LH	
		N.S.	SUPPORT, Outer Grille Lower-RH	

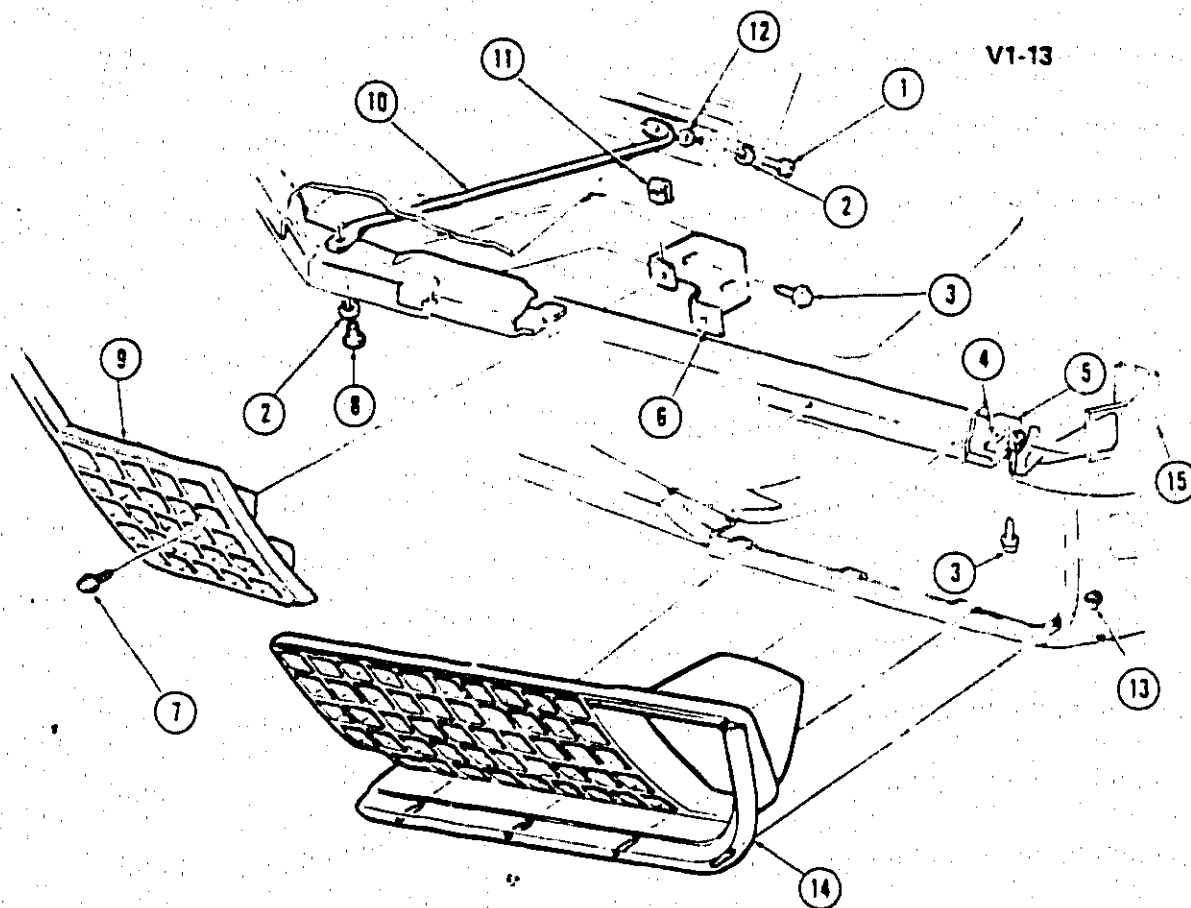
V1-12



V1-12

1969 'Y' RADIATOR GRILLE

	1.	8.921	NUT (#8-18)			N.S.	SUPPORT ASM, Outer Grill	
	2.	8.977	SCREW (#8-18 x 5/8")				Outer-RH	
	3.	N.S.	SUPPORT, Outer Grill					
			Inner-LH			E 21	9. 8.900 BOLT (5/16"-18 x 7/8")	
			N.S. SUPPORT, Outer Grill			E 21	10. 1.268 MOLDING, Outer Grille-LH	3915847
			Inner-RH				1.268 MOLDING, Outer Grille-RH	3915848
	4.	N.S.	EXTENSION, Upper Panel				11. 8.977 SCREW (1/4"-20 x 3/4")	
			Reinf-LH				12. 8.929 WASHER (1 1/32")	
N 21		8.131	EXTENSION, Upper Panel			E 21	13. 8.977 SCREW (#8-18 x 7/8")	
			Reinf-RH	3927664		E 21	14. 1.266 GRILLE, Outer-LH	3966553
E 20	5.	1.263	REINFORCEMENT, Fender			E 21	1.266 GRILLE, Outer-RH	3966554
			Upper Panel Frt	3938095		E 21	15. 1.266 GRILLE, Center	3966555
	6.	8.977	SCREW (#10-24 x 3/8")				16. 8.900 BOLT (5/16"-24 x 1/2")	
	7.	8.921	NUT (1/4")				17. 8.931 WASHER (5/16")	
E 21	8.	1.267	SUPPORT ASM, Outer Grill			E 25	18. 8.967 RIVET	
			Outer-LH	3953037			19. 1.287 ROD, Support to Frt Fender	
							Upper	3974016
							20. 8.900 BOLT (5/16"-18 x 1 1/2")	

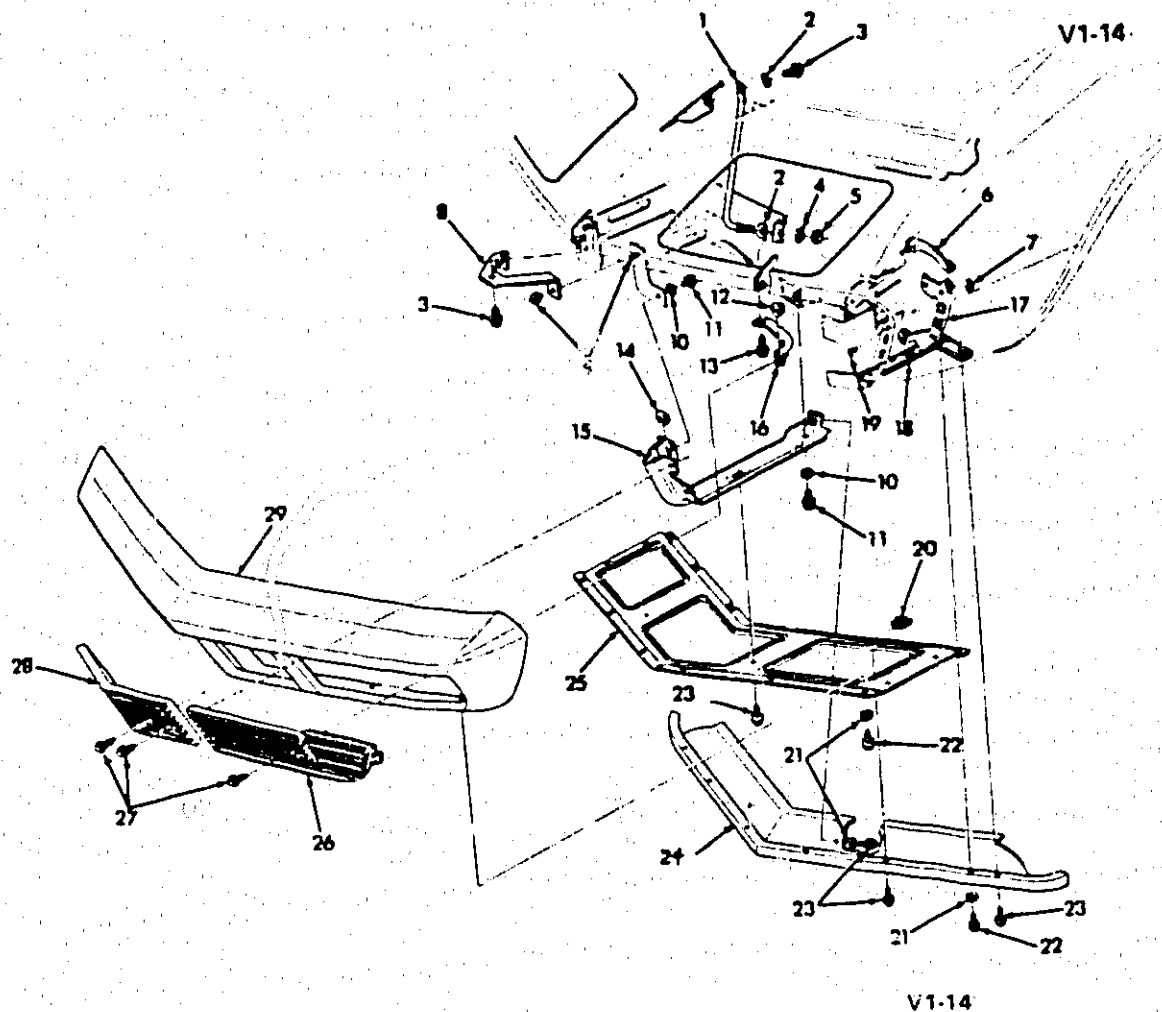


V1-13

V1-13

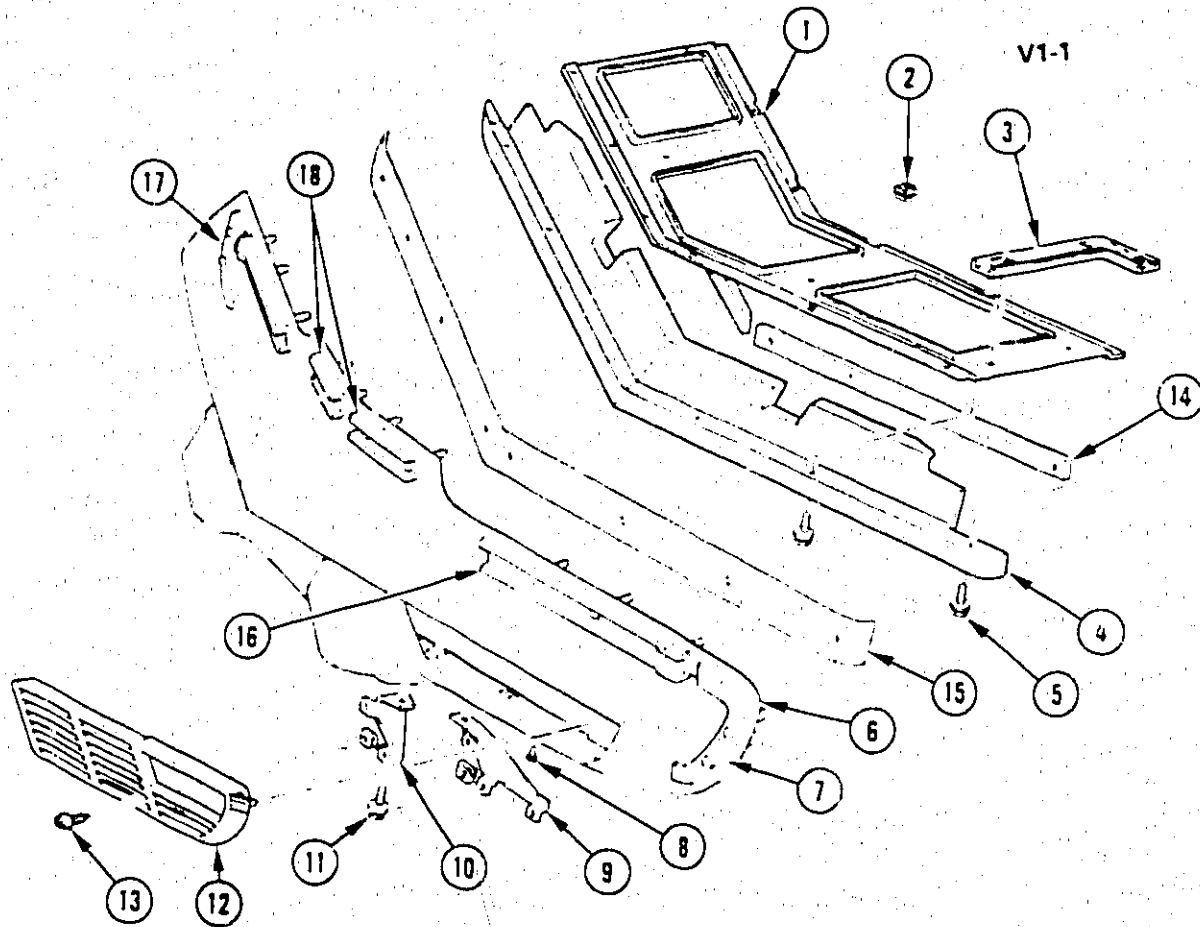
1970-72 'Y' RADIATOR GRILLE

	1.	8.900	BOLT (5/16"-18 x 1 1/2")	
	2.	8.931	WASHER (5/16")	
	3.	8.900	BOLT (5/16"-18 x 13/16")	
	4.	N.S.	EXTENSION, Upr Panel Frt Reinf-LH	3927664
N 21		8.131	EXTENSION, Upr Panel Frt Reinf-RH	3938095
E 20	5.	1.263	REINFORCEMENT ASM, Upper Panel	3963133
E 21	6.	1.267	SUPPORT, Grille Center-LH	3963134
E 21		1.267	SUPPORT, Grille Center-RH	
	7.	8.977	SCREW (#10-16 x 5/8")	
	8.	8.900	BOLT (5/16"-24 x 1/2")	
E 21	9.	1.266	GRILLE, Radiator Center	3906772
E 25	10.	1.287	ROD, Supt to Frt Fender Upper	3974016
	11.	8.921	NUT, "U" (#10-16)	
	12.	8.931	WASHER (21/64")	
	13.	8.921	NUT (3/16")	
H 19	14.	2.586	HOUSING ASM, Dir Sig Park Rad Grille Outer Lamp-LH	5964683
H 19		2.586	HOUSING ASM, Dir Sig Park Rad Grille Outer Lamp-RH	5964684
N 20	15.	7.836	EXTENSION ASM, Outer Brace	3964159



1973-74 'Y' RADIATOR GRILLE

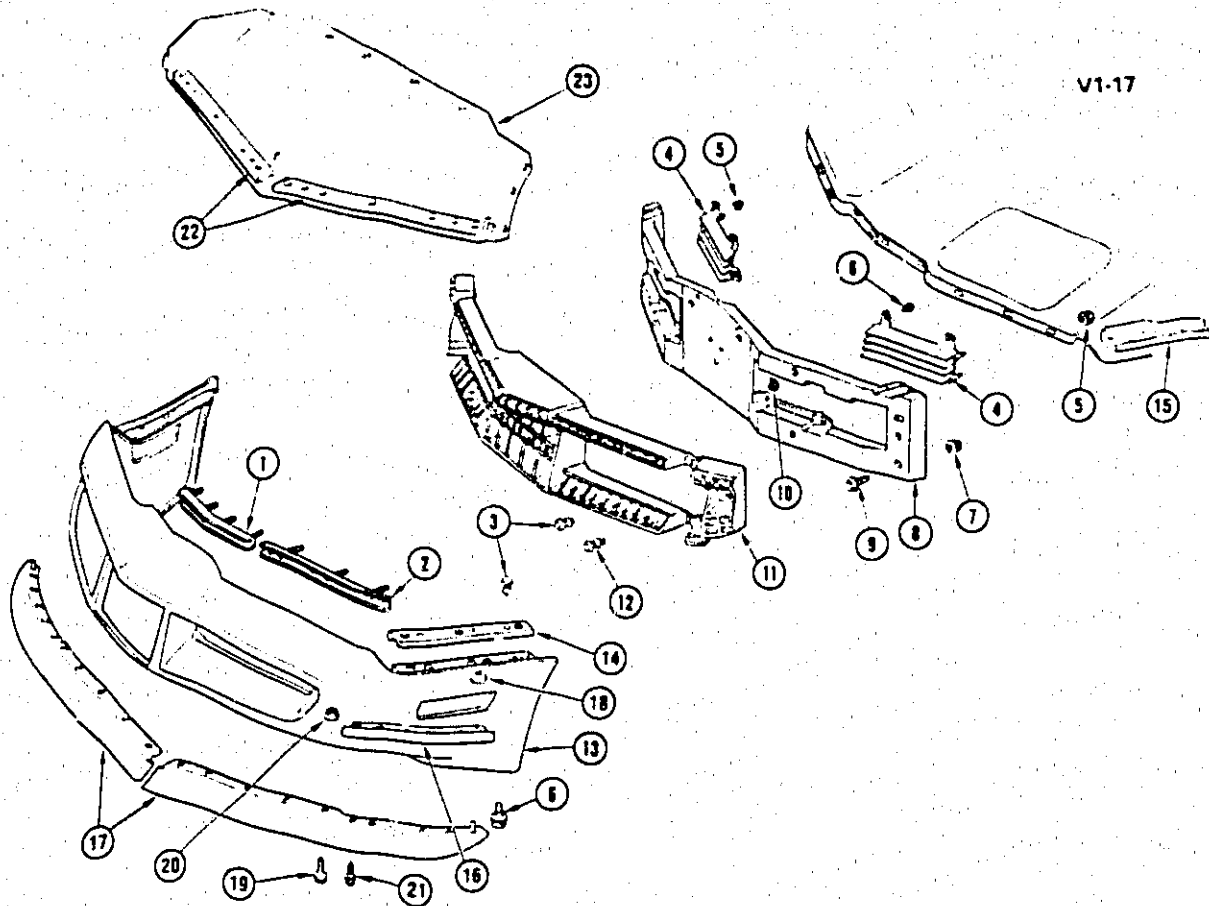
E 25	1.	1.287	ROD, Rad Supt to Frt Fender	331341				
	2.	8.929	WASHER, Flat (21/64")		N 22	17.	8.155	BRACE, Grille Outer-RH
	3.	8.900	BOLT					REINFORCEMENT, Lower Frt
	4.	8.931	WASHER, Lock (5/16")					Upper-LH
	5.	8.915	NUT (5/16"-18)		N 22	18.	8.141	REINFORCEMENT, Lower Frt
N 22	6.	8.155	EXTENSION, Frt Fender					Upper-RH
			Upper-LH	331877	N 22	18.	8.141	REINFORCEMENT, Frt
N 22		8.155	EXTENSION, Frt Fender					Lower-LH
			Upper-RH	331878	N 22		8.141	REINFORCEMENT, Frt
	7.	8.967	RIVET					Lower-RH
	8.	N.S.	SUPPORT, Upper Panel			19.	8.967	RIVET
N 21	9.	7.840	BOLT KIT, Energy Abs	339118		20.	8.921	NUT (1/4"-20)
	10.	8.931	WASHER (15/32" x 1 1/4")			21.	8.929	WASHER (1/4")
	11.	8.900	BOLT (7/16"-14 x 1")			22.	8.900	BOLT (1/4"-20 x 1")
	12.	8.921	NUT (#10-16)			23.	8.900	BOLT & LOCKWASHER,
	13.	8.900	BOLT (1/4"-20 x 13/16")					(1/4"-20 x 13/16")
	14.	8.921	NUT (7/16"-14)		E 25	24.	1.287	EXTENSION, Rad Grille
N 18	15.	7.828	REINFORCEMENT ASM, Frt					Lower Panel
			Bumper Guard-LH	331829	E 20	25.	1.263	PANEL, Lower
N 18		7.828	REINFORCEMENT, Frt		E 21	26.	1.266	GRILLE, Outer-RH
			Bumper Guard	331830	E 21		1.266	GRILLE, Outer-LH
	16.	N.S.	BRACE, Grille Outer-LH			27.	8.977	SCREW (#10-16 x 3/4")
					E 21	28.	1.266	GRILLE, Center
					N 19	29.	7.832	COVER, Frt Bumper Face Bar
								6263597



V1-1

1975-79 GRILLE & RELATED PARTS

E 20	1. PANEL, Grille Lower	1.263
E 21	2. NUT, "U" (1/4"-20)	1.269
N 22	3. REINFORCEMENT, Frt Fender Lwr	8.141
E 25	4. EXTENSION, Rad Grille Lwr Panel	1.287
	5. BOLT (1/4"-20 x 1")	8.900
N 19	6. COVER, Energy Abs Frt Bar	7.833
N 19	7. RETAINER, Frt Bmpr Face Bar Otr Cvr	7.832
	8. RIVET, Energy Abs Frt Bar Ret	8.967
E 21	9. BRACKET, Rad Grille Outer	1.267
E 21	10. BRACKET, Rad Grille Inner	1.267
	11. BOLT (1/4"-20 x 13/16")	8.900
E 21	12. GRILLE, Outer	1.266
	13. SCREW (#10-16 x 3/4")	8.977
E 25	14. REINFORCEMENT, Rad Grille Lwr Pnl Ext	1.287
E 20	15. EXTENSION, Rad Grille Lwr Pnl (77-78)	1.263
N 21	16. RETAINER, Energy Abs Frt Bar Cvr Uptr Otr-LH (77-79)	7.840
N 21	17. RETAINER, Energy Abs Frt Bar Cvr Uptr Otr-RH (77-79)	7.840
N 21	18. RETAINER ASM, Energy Abs Frt Bar Cvr Uptr Ctr-RH	7.840



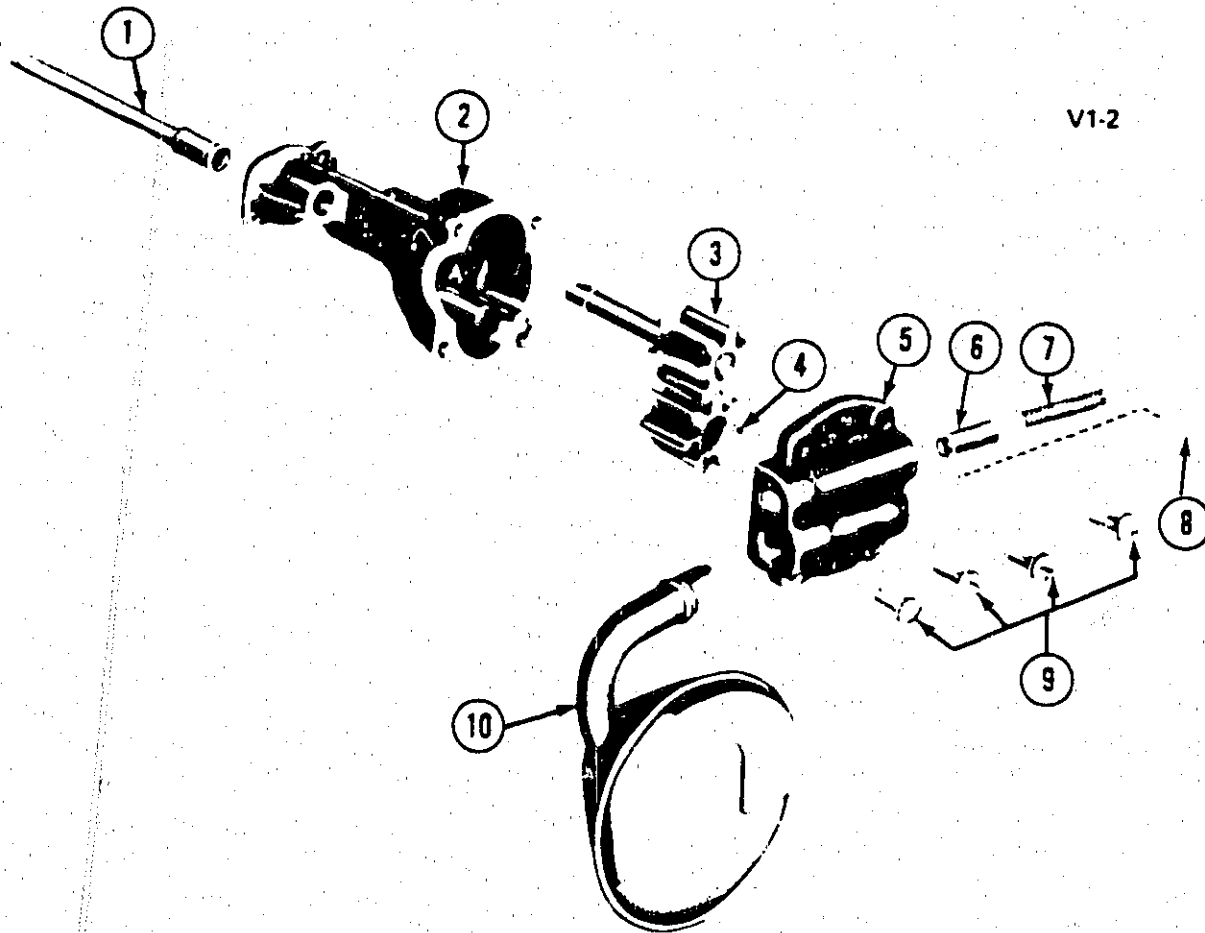
1980-82 'Y' GRILLE & RELATED PARTS

N 19	1.	7.832	RETAINER, E/A Frt Bar Cvr Upr Ctr	14011845	N 19	14.	7.832	RETAINER, E/A Frt Bar Cvr Lwr-LH	14011841
N 19	2.	7.832	RETAINER, E/A Bar Cvr Upr Qtr-LH	14011843	N 19		7.832	RETAINER, E/A Frt Bar Cvr Lwr-RH	14011842
N 19		7.832	RETAINER, E/A Bar Cvr Upr Qtr-RH	14011844	N 22	15.	8.141	RETAINER, F/Fdr Lwr-LH	14015229
	3.	N.S.	RIVET		N 22		8.141	RETAINER, F/Fdr Lwr-RH	14015230
E 21	4.	1.266	GRILLE ASM, Rad Otr-LH	14011879	N 18	16.	7.831	REINFORCEMENT, Frt Bpr Facia-LH	14018859
E 21		1.266	GRILLE ASM, Rad Otr-RH	14011880	N 18		7.831	REINFORCEMENT, Frt Bpr Facia-RH	14018860
	5.	8.915	NUT, Hex (#10-24)		E 25	17.	1.287	EXTENSION, Rad Lwr Pnl-LH	14016063
	6.	8.932	WASHER, Ext Tooth Lk (#10)		E 25		1.287	EXTENSION, Rad Lwr Pnl-RH	14016064
		8.977	SCREW ASM (M4.2 x 1.41 x 20)			18.	8.921	NUT, Push-On (1/4")	
	7.	8.917	NUT (M10 x 1.5 x 9.8)			19.	8.977	SCREW, Hex Wa Hd Tap (1/4"-20 x 1")	
N 21	8.	7.840	BAR, E/A Frt	14007091		20.	8.917	NUT, Hex W/Con Wa (1/4"-20)	
	9.	8.900	BOLT (M10 x 1.5 x 30)			21.	8.977	SCREW, Hex Wa Hd Tap (M4.2 x 1.41 x 25)	
	10.	8.921	NUT, "U" Spring (#8-18)	9427761	N 19	22.	7.833	RETAINER, Frt Bpr Air Ctr Dfl	14016186
N 21	11.	7.840	CUSHION, E/A Frt Bar	14006996	E 23	23.	1.272	DEFLECTOR, Rad Lwr Air	14015276
	12.	N.S.	RIVET						
N 18	13.	7.831	FASCIA, Frt Bpr	14041156					

MICROFICHE INDEX
GROUPS 0.000 THRU 2.000 & 21.000
FICHE 1 OF 6

GROUP DESCRIPTION	STARTING GRID LOCATION	
	PARTS	ILLUSTRATIONS
- INTRODUCTION	A-6	J-2
- GENERAL INFORMATION	A-2	J-2
- ALPHABETICAL INDEX	C-11	N.A.
- INDEX FOR ADDITIONAL INFORMATION	A-5	N.A.
0.000 ENGINE - CLUTCH	D-12	J-6
1.000 COOLING - GRILLE - OIL SYSTEM	E-11	K-15
2.000 CHASSIS WIRING - LAMPS	G-13	L-7
21.000 ACCESSORY REFERENCE LIST	D-9	N.A.
- OUT OF FICHE CALLS	N.A.	N-2

L-1

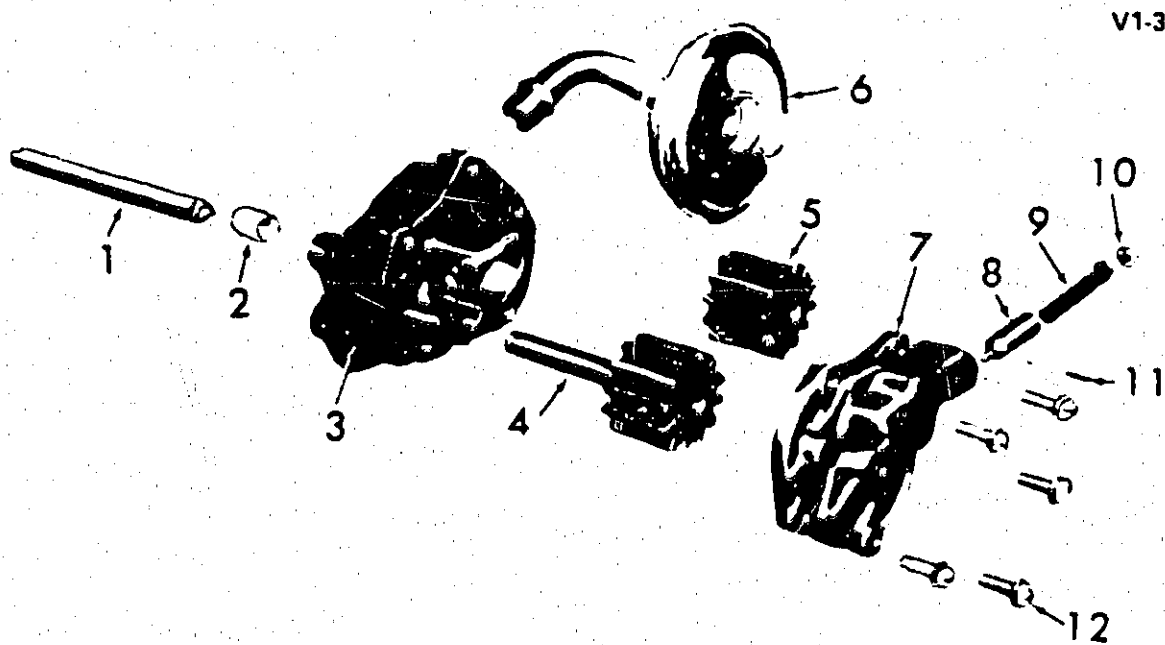


V1-2

V1-2

1966-82 V8 ENGINE OIL PUMP (EXC 427,454)

	1.	SHAFT EXTENSION (Part of Pump Asm)	N.S.
F	4	PUMP ASM	1.652
	3.	DRIVE GEAR & SHAFT (Part of Pump Asm)	N.S.
	4.	IDLER GEAR (Part of Pump Asm)	N.S.
F	5	COVER	1.723
F	3	VALVE	1.609
F	3	SPRING	1.609
	8.	PIN (3/32" x 3/4")	8.939
	9.	SCREW	8.909
F	4	SCREEN ASM	1.656

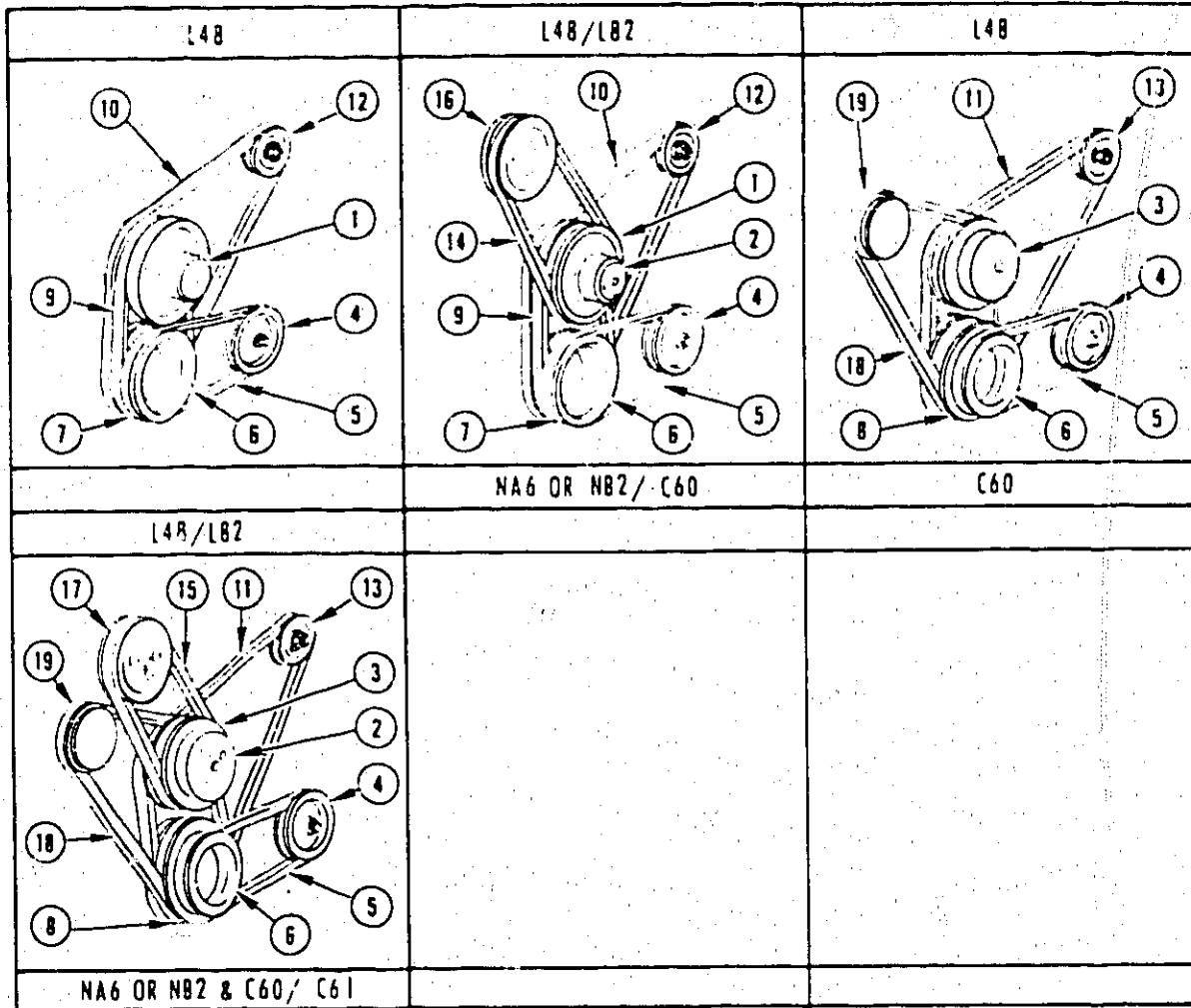


V1-3

V1-3

1966-74 ENGINE OIL PUMP (427,454)

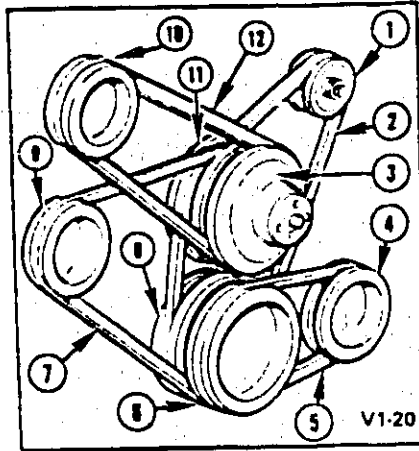
	1.	SHAFT EXTENSION (Part of Pump Asm)	N.S.
	2.	SHAFT COUPLING (Part of Pump Asm)	N.S.
F	4	3. PUMP ASM	1.652
	4.	DRIVE GEAR W/SHAFT (Part of Pump Asm)	N.S.
	5.	IDLER GEAR (Part of Pump Asm)	N.S.
F	4	6. SCREEN ASM	1.656
F	5	7. COVER	1.723
F	3	8. VALVE	1.609
F	3	9. SPRING	1.609
F	3	10. RETAINER	1.609
	11.	PIN (3/32" x 3/4")	8.939
	12.	SCREW	8.939



1978-79 'Y' PULLEYS & BELTS

E 14	1.	1.062	PULLEY, Water Pump and Fan	3991423	E 16	10.	1.066	BELT, Generator	9433757
E 14	2.	1.062	PULLEY, Water Pump (1 Groove 5 3/4" Dia)	14023158	E 16	11.	1.066	BELT, Generator	9433759
E 14	3.	1.062	PULLEY, Water Pump and Fan	14023159	G 27	12.	2.274	PULLEY, Generator	1970831
N 18	4.	6.655	PULLEY, Hyd Strg Pump	14023175	G 27	13.	2.274	PULLEY, Generator	1970831
E 16	5.	1.066	BELT, Hyd Strg	9433725	E 16	14.	1.066	BELT, AIR Pump	9433718
E 3	6.	0.659	PULLEY, Cr/Shf Frt	3858533	E 16	15.	1.066	BELT, AIR Pump	9433719
E 3	7.	0.659	PULLEY, Cr/Shf	3858533	N 8	16.	3.650	PULLEY, AIR Inj Pump	3932458
E 3	8.	0.659	PULLEY, Cr/Shf	14023151	N 8	17.	3.650	PULLEY, AIR Inj Pump	14023170
E 16	9.	1.066	BELT, W/Pump and Fan	9433718	E 16	18.	1.066	BELT, A/C Comp (1/2" x 55 1/2")(*1)	9433916
					E 16		1.066	BELT, A/C Comp (1/2" x 56 1/2")(*1)	9433918
					N 22	19.	9.180	PULLEY, A/C Comp	6556717

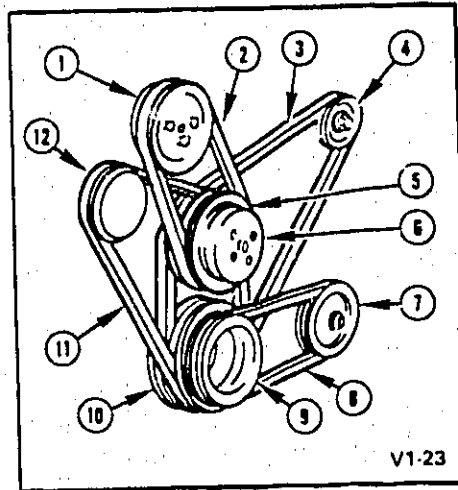
NOTE 1: See Catalog Group for Usage.



V1-20

1980 'Y' PULLEYS & BELTS

G 27	1.	2.274	PULLEY, Gen (Exc 70 Amp) . . .	1978065	E 3	8.	0.659	PULLEY, Cr/Shf (2 Grooves, 7 3/4") (LG4,L48)	14023151
G 27		2.274	PULLEY, Gen (w/70 Amp) . . .	1979359	E 3		0.659	PULLEY, Cr/Shf (2 Grooves, 6 5/8") (L82)	3858533
E 16	2.	1.066	BELT, Gen (L82)	9433758	N 22	9.	9.180	PULLEY, Rim A/C Compr	6556717
E 16		1.066	BELT, Gen (Exc 70 Amp)(LG4,L48)	9433760	N 8	10.	3.650	PULLEY, Air Inj Pump	14023171
E 16		1.066	BELT, Gen (w/70 Amp)(LG4,L48)	9433761	E 14	11.	1.062	PULLEY, W/Pump & Fan (2 Grooves) (LG4,L48)	14023159
E 14	3.	1.062	PULLEY, Water Pump-Frt	14023158	E 14		1.062	PULLEY, W/Pump & Fan (2 Grooves) (L82)	3991423
E 16	4.	1.066	PULLEY, Strg Pump	14023175	E 16	12.	1.066	BELT, A.I.R. Pump (7/16" X 32 1/2")	9433717
E 16	5.	1.066	BELT, Pwr Strg	9433725					
E 3	6.	0.659	PULLEY, Cr/Shf-Frt	346290					
E 16	7.	1.066	BELT, A/C Compr	5433917					



V1-23

1981-82 'Y' PULLEYS & BELTS

N 8	1.	3.650	PULLEY, Air Inj Pump	14023171	E 14	6.	1.062	PULLEY, Water Pump Frt (1 Groove 5 3/4 Dia)	14023158
E 16	2.	1.066	BELT, Air Inj Pump	9433717	N 18	7.	6.655	PULLEY, Strg Pump	14023175
E 16	3.	1.066	BELT, Fan & Gen (Exc 70 Amp)	9433760	E 16	8.	1.066	BELT, Pwr Strg	9433725
E 16		1.066	BELT, Fan & Gen (70 Amp)	9433761	E 3	9.	0.659	PULLEY, Cr Shf Frt (1 Groove 6 11/16 Dia)	346290
G 27	4.	2.274	PULLEY, Gen (Exc 70 Amp) . . .	1978065	E 3	10.	0.659	PULLEY, Cr Shf (2 Groove 7 3/4 Dia)	14023151
G 27		2.274	PULLEY, Gen (70 Amp)	1979359	E 16	11.	1.066	A/C COMPRESSOR	9433917
E 14	5.	1.062	PULLEY, Water Pump (2 Groove 6 1/2 Dia)	14023159	N 22	12.	9.180	PULLEY, A/C	6556715

ILLUS

2

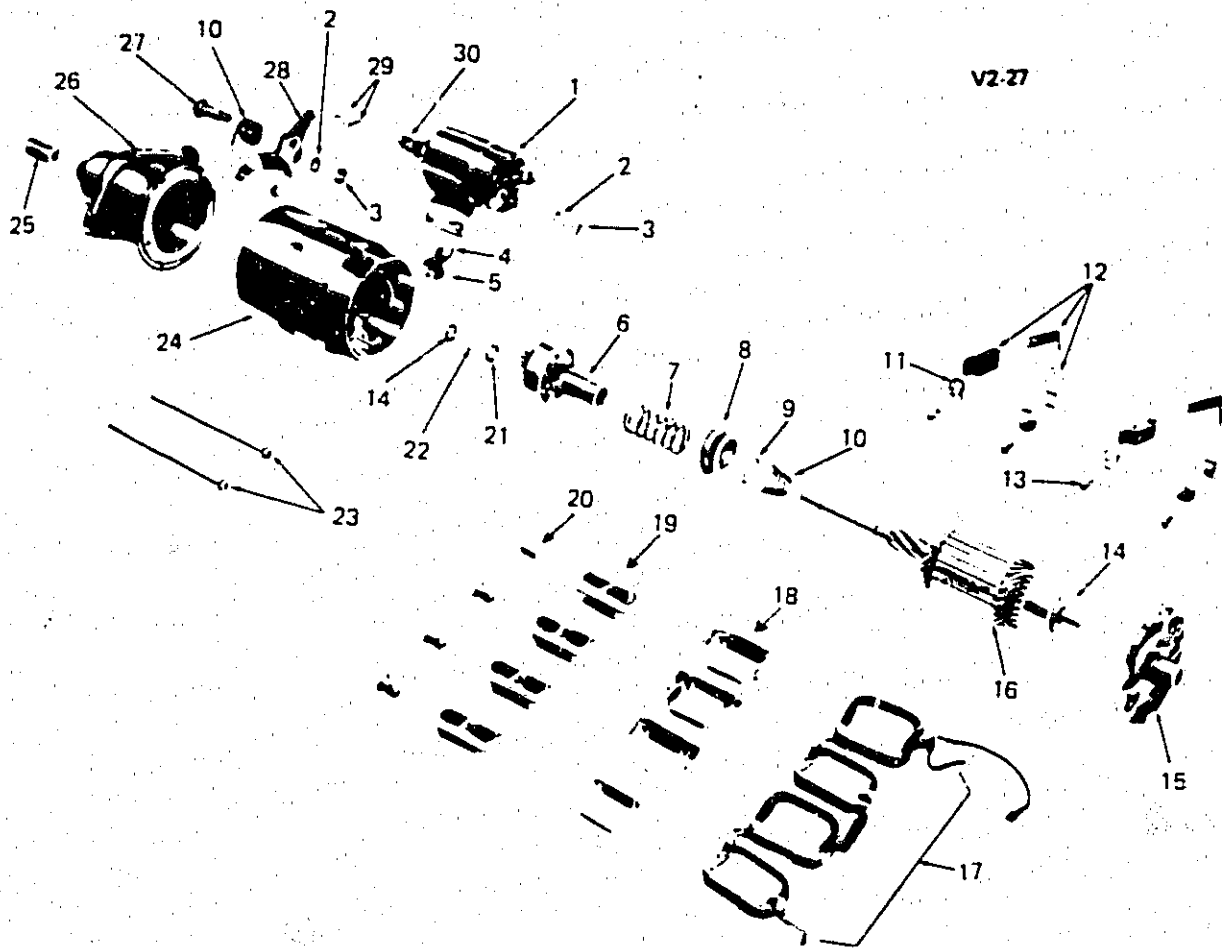


CHEVROLET CHASSIS GROUP 2.000



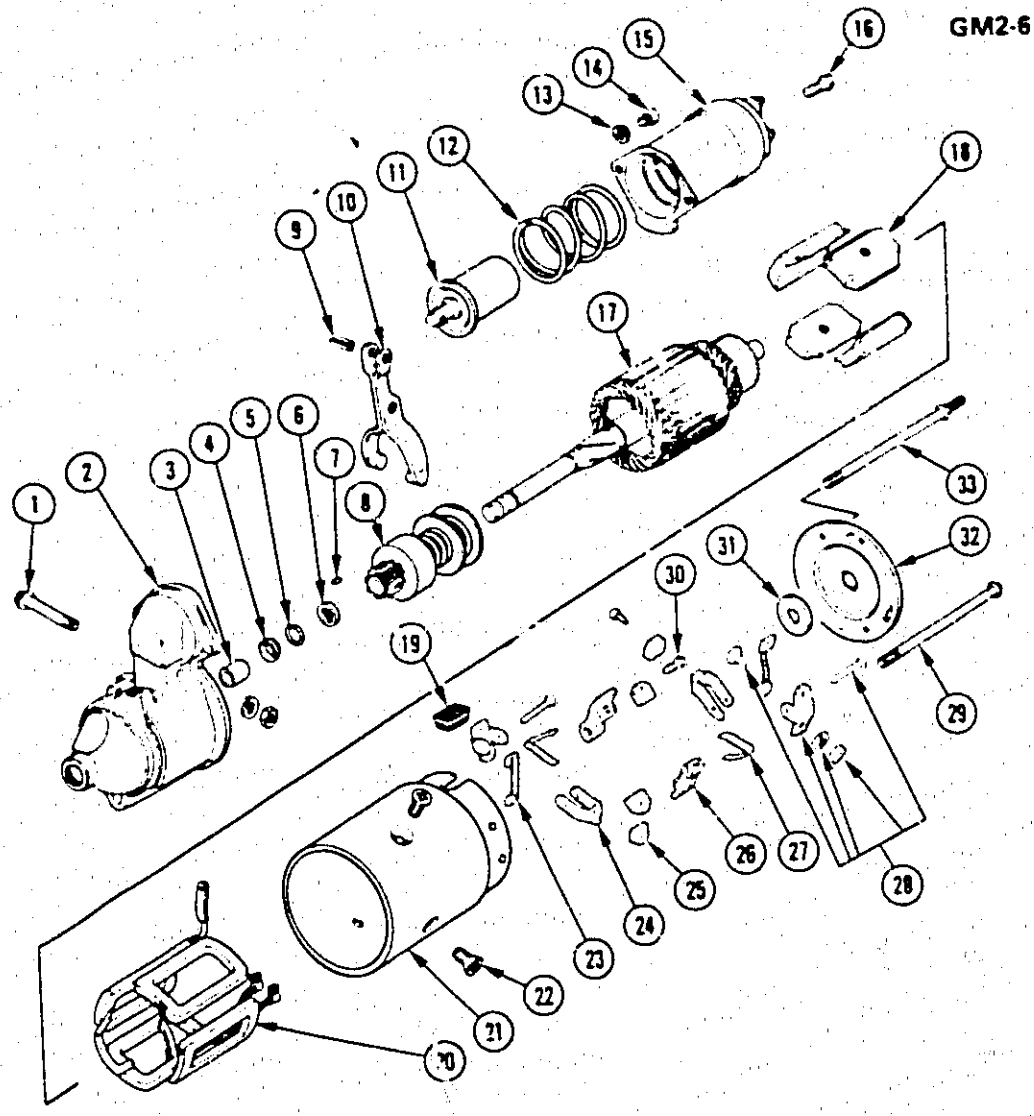
ILLUSTRATION INDEX

	TITLE	GRID
1953-64	STARTER MOTOR	L9
1965-82	STARTER MOTOR	L10
1962-68	(42-AMP.) GENERATOR	L11
1962-68	(62-AMP.) GENERATOR	L12
1969-81	GENERATOR	L13
1982	GENERATOR	L14
1955-56	V8 IGNITION DISTRIBUTOR	L15
1957-62	FUEL INJECTION IGNITION DISTRIBUTOR	L16
1957-74	V8 IGNITION DISTRIBUTOR	L17
1974-80	HIGH ENERGY IGNITION DISTRIBUTOR	L18
1981-82	Y HIGH ENERGY IGNITION DISTRIBUTOR	L19
1963-65	Y GENERATOR MOUNTING (327)	L20
1965-74	Y H PER GENERATOR MOUNTING (396, 427, 454)	L21
1965-74	Y GENERATOR MOUNTING W/P/S (396, 427, 454)	L22
1966-72	Y GENERATOR MOUNTING (327, 350)	L23
1973-81	Y GENERATOR MOUNTING (EXC 70 AMP)	L24
1980-82	Y GENERATOR MOUNTING (70 AMP)	L25
1968-76	Y ANTI-THEFT SYSTEM	L26
1977-80	Y ANTI-THEFT SYSTEM	L27
1981-82	Y ANTI THEFT SYSTEM	L28
1978-80	Y WINDOW & ANTI-THEFT RELAY	M2
1974-79	Y FORWARD LAMP WIRING L.H.	M3
1974-76	Y FORWARD LAMP WIRING	M3
1963	Y FRONT LAMPS	M4
1963-67	Y HEADLAMP MOTOR	M5
1964-67	Y FRONT LAMPS	M6
1968-82	Y VACUUM OPERATED HEADLAMPS	M7
1963-67	Y FRONT PARKING LAMPS	M9
1968-69	Y PARKING AND SIDE MARKER LAMPS	M10
1970 /2	Y PARKING & SIDE MARKER LAMPS	M10
1973-79	Y PARKING & SIDE MARKER LAMPS	M11
1980-82	Y PARKING & SIDE MARKER LAMPS	M11
1963-67	Y REAR LAMPS	M12
1968-73	Y REAR LAMPS	M13
1974	Y REAR LAMPS	M14
1975-79	Y REAR LAMPS-TAIL, LICENSE & SIDE MARKER	M15
1980-82	Y REAR LAMPS-TAIL, LICENSE & SIDE MARKER	M16
1982	G.M. EXTERIOR LAMP SOCKETS	M17
1982	G.M. EXTERIOR LAMP SOCKETS	M18
1982	G.M. EXTERIOR LAMP SOCKETS	M19



1953-64 STARTER MOTOR

G 21	1. SWITCH ASM	2.100	G 19	16. ARMATURE	2.043
	2. WASHER, Lock	8.931	G 19	17. COILS ASM	2.049
	3. NUT	8.916		18. INSULATION	N.S.
G 21	4. CONNECTOR GROMMET	2.102		19. SHOE	N.S.
G 21	5. GROMMET	2.102		20. BOLT	N.S.
G 20	6. DRIVE ASM	2.086	G 20	21. COLLAR	2.063
G 20	7. SPRING	2.087	G 20	22. "L" RING	2.063
	8. COLLAR	N.S.	G 20	23. BOLTS	2.077
	9. RETAINER	N.S.		24. FRAME	N.S.
G 21	10. SPRING	2.108	G 20	25. BUSHING	2.083
G 19	11. BRUSH	2.051	G 20	26. HOUSING	2.085
G 19	12. HOLDER	2.052	G 21	27. STUD	2.108
	13. SCREW	8.907	G 21	28. LEVER	2.108
G 20	14. WASHER	2.063	G 21	29. PIN	2.108
G 20	15. FRAME	2.067	G 21	30. PLUNGER	2.113

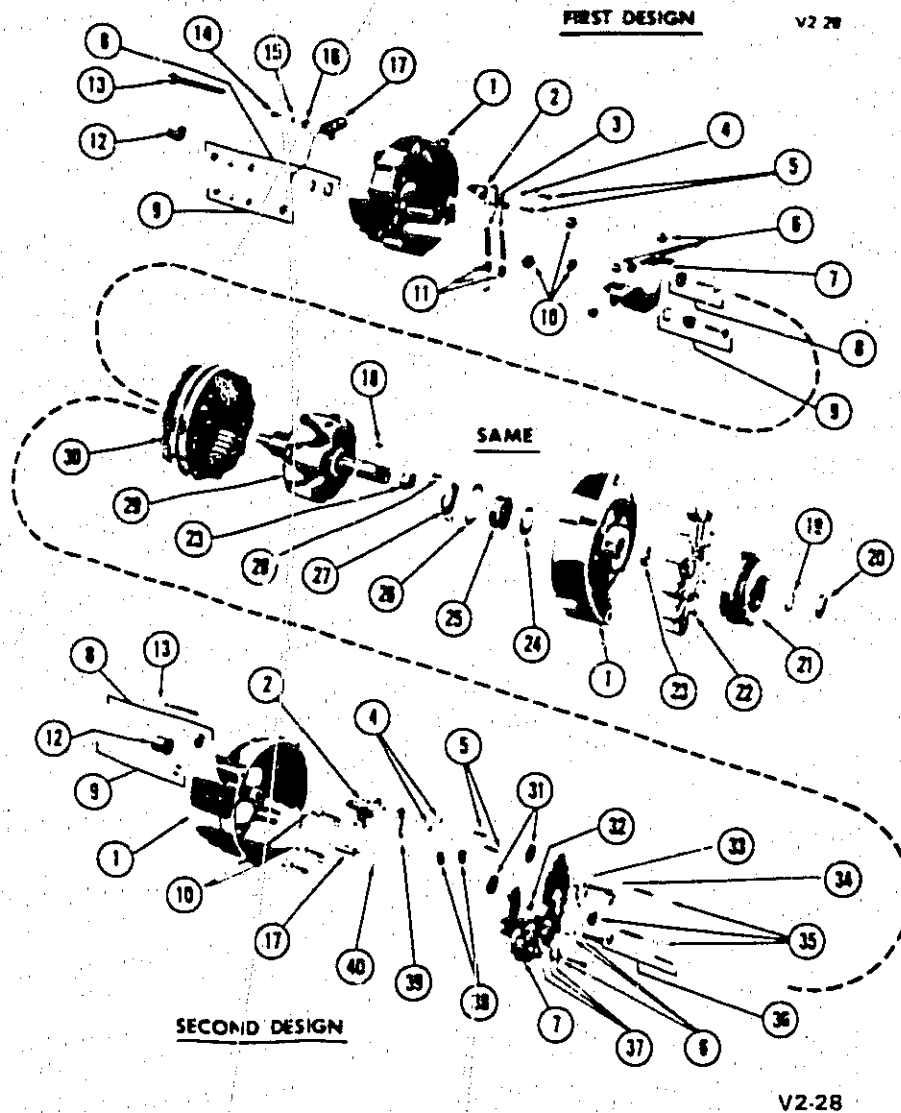


GM2-6

GM2-6

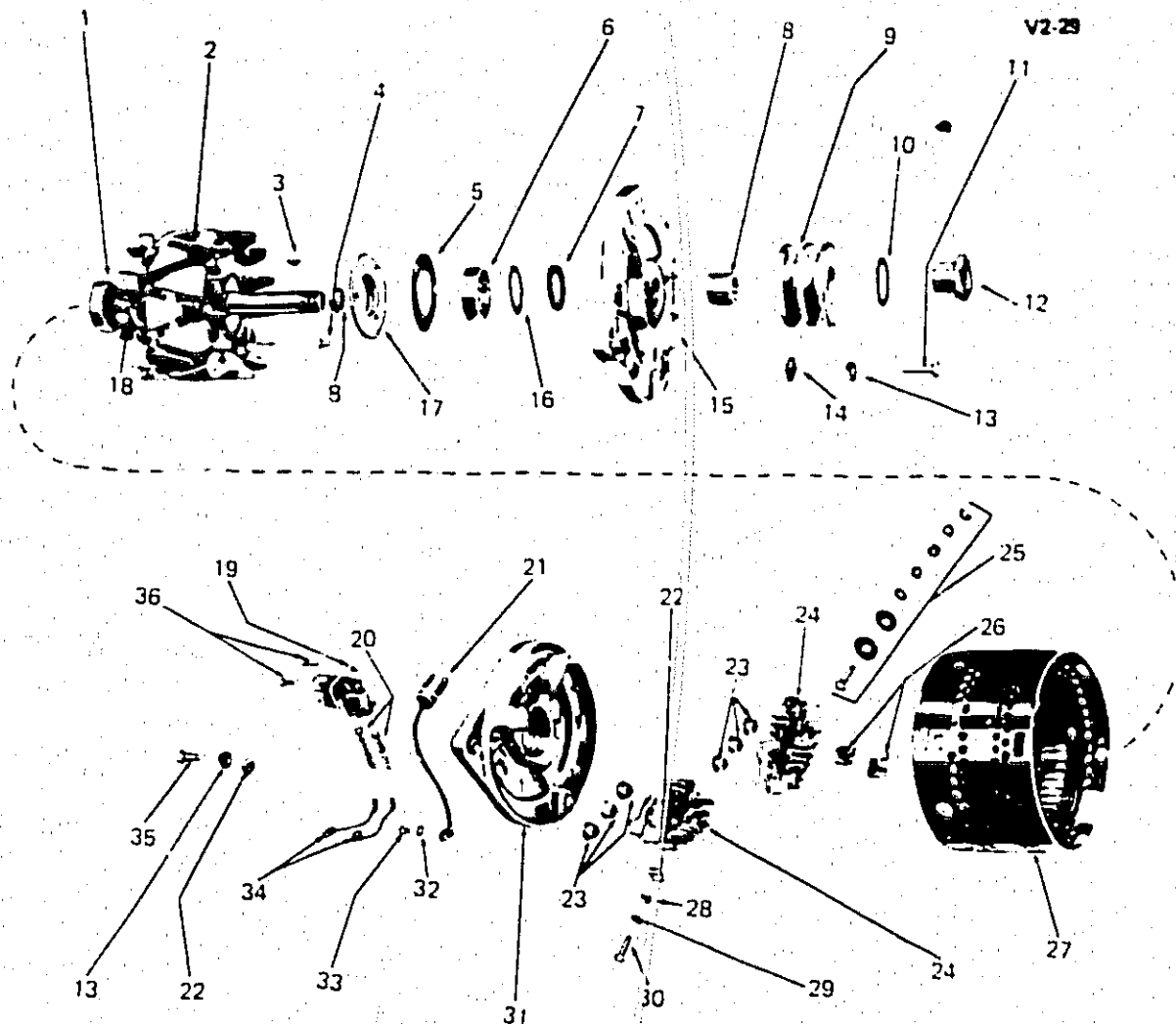
1965-82 STARTER MOTOR

G 21	1. SHAFT, Lever	2.108	G 19	17. ARMATURE, Starter	2.043
G 20	2. HOUSING, Drive W/Bushing	2.085	G 20	18. POLE, Shoe	2.077
G 20	3. BUSHING, Drive Housing	2.083	G 21	19. GROMMET, Field Frame	2.102
G 20	4. WASHER (15/32" ID x 11/16" OD x 7/64" Thk)	2.063	G 19	20. COIL, Starter	2.049
G 20	5. RING (7/16" ID)	2.063		21. FRAME, Stator	N.S.
G 20	6. COLLAR (15/32" ID x 11/16" OD x 3/16" Thk)	2.063	G 20	22. SCREW, Pole Shoe	2.077
	7. PIN, Dowel	8.939	G 20	23. LEAD, Motor Brush Ground	2.055
G 20	8. DRIVE ASM, Starter	2.083	G 19	24. HOLDER, Ground	2.052
	9. PIN, Spring	8.934	G 19	25. BRUSH (13/64")	2.051
G 21	10. LEVER, Shaft	2.108	G 19	26. HOLDER, Insulated	2.052
G 21	11. PLUNGER, W/Link	2.113	G 20	27. SPRING, Hairpin Type (1/2" Wide)	2.053
G 21	12. SPRING, Plunger	2.108	G 19	28. SUPPORT, Brush Holder	2.052
	13. WASHER, Lock (1/4")	8.931	G 20	29. BOLT, Through	2.077
	14. SCREW (1/4"-20 x 1/2")	8.907		30. SCREW, Brush	N.S.
G 21	15. SWITCH ASM, Solenoid	2.100	G 20	31. WASHER, Commutator End (9/16" ID x 1 5/16" OD)	2.063
	16. SCREW (#10-32 x 1/2")	8.977	G 20	32. FRAME ASM, Commutator End	2.067
			G 20	33. BOLT, Through W/Ext	2.077



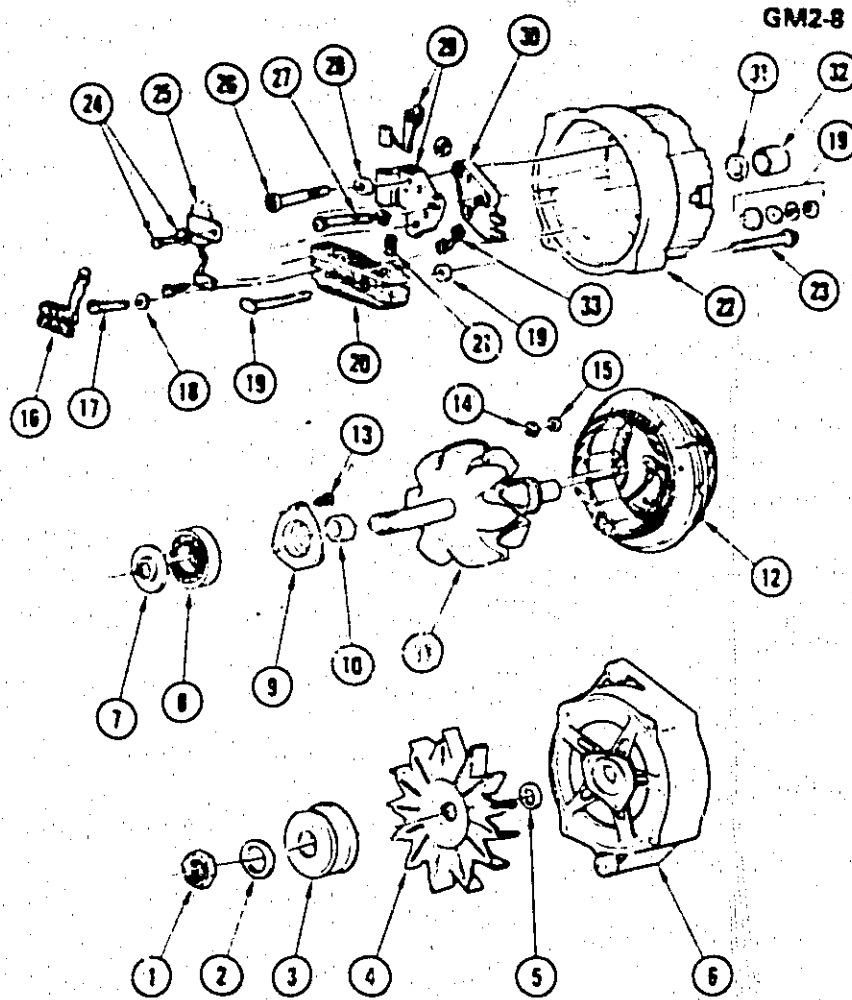
1962-68 (42-AMP.) GENERATOR

H	3	1. FRAME	2.305	G	27	21. PULLEY ASM	2.274
H	2	2. HOLDER	2.291	G	27	22. FAN	2.274
		3. SPRING, Part #11	N.S.	H	3	23. COLLAR	2.307
		4. INSULATOR	N.S.			24. CLINGER	N.S.
		5. SCREW	N.S.	H	3	25. BEARING	2.306
H	4	6. DIODE (Positive)	2.319	H	3	26. GASKET	2.307
H	4	7. HEAT SINK ASM	2.319	H	3	27. PLATE	2.307
H	3	8. TERMINAL PKG. (Bat)	2.313	H	3	28. SCREW	2.307
H	3	9. TERMINAL PKG. (Grd)	2.313	H	2	29. ROTOR ASM	2.279
H	4	10. DIODE (Neg)	2.319	H	3	30. STATOR ASM	2.310
H	2	11. BRUSH PKG	2.285	H	3	31. WASHER, Part of #8	2.313
H	2	12. BEARING	2.298			32. INSULATOR, Part of #36	N.S.
		13. BOLT	2.316			33. WASHER, Lock	N.S.
		14. SCREW (#10-24 x 1/2")	8.906			34. NUT	N.S.
		15. WASHER, Lock (#10)	8.931			35. Part of T#8	N.S.
		16. WASHER (#10)	8.929			36. TERMINAL PACKAGE (Con)	N.S.
H	4	17. CONDENSER	2.319	H	15	37. BLOCK ASM	2.483
		18. KEY (1/8" x 5/8")	8.960	H	2	38. BRUSH UNIT	2.285
H	2	19. WASHER	2.280	H	3	39. STRAP	2.313
H	2	20. NUT	2.280	H	4	40. RING	2.319



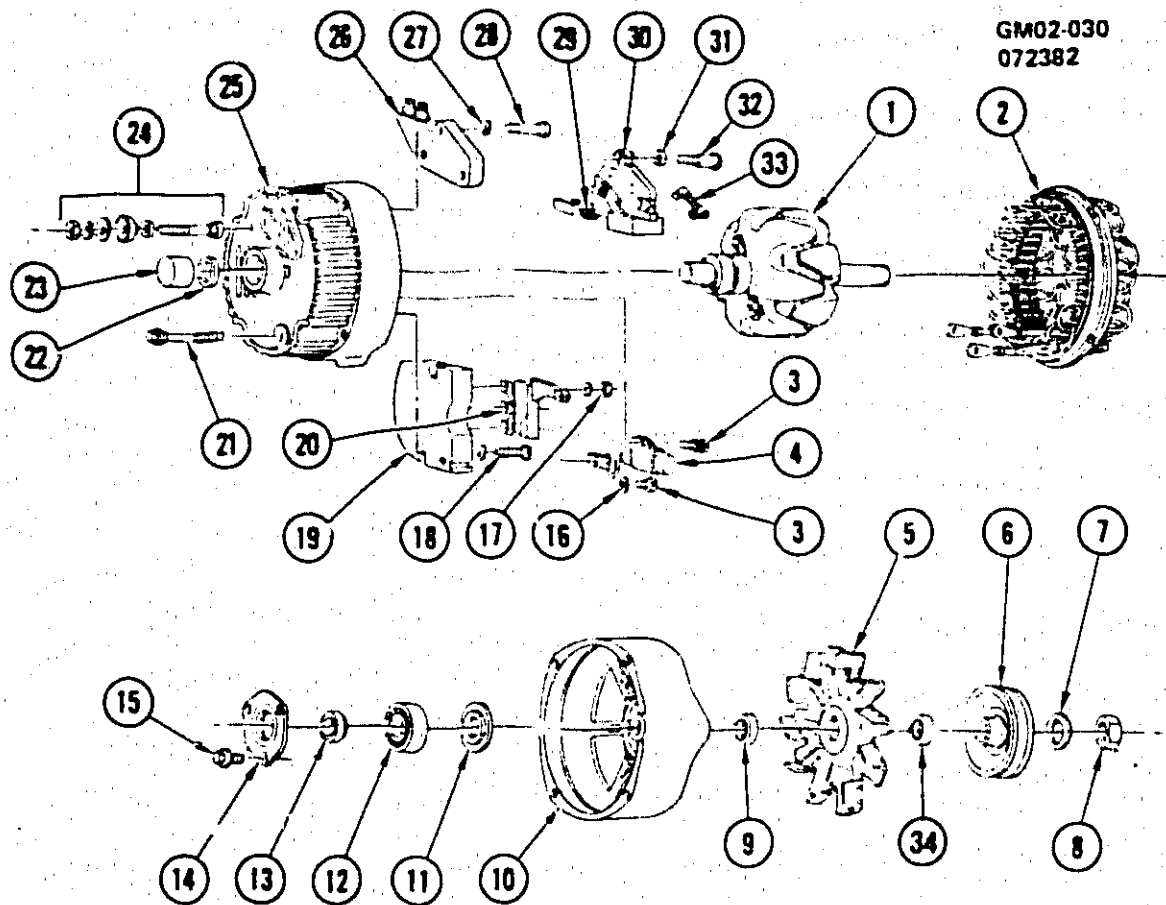
1962-68 (62-AMP.) GENERATOR

H	2	1. BEARING	2.298	H	2	19. HOLDER	2.291
H	2	2. ROTOR ASM	2.279			20. SPRING, Part of 2.285 BRUSH UNIT	N.S.
		3. KEY (1/8" x 5/8")	8.960	H	4	21. CONDENSER	2.319
H	3	4. SCREW, Used with NS L/Washer (13/64")	2.307			22. NUT (#12-24)	8.915
H	3	5. GASKET	2.307	H	4	23. DIODE	2.319
H	3	6. BEARING	2.306	H	4	24. HEAT SINK ASM	2.319
H	3	7. WASHER	2.307	H	3	25. TERMINAL	2.313
H	3	8. COLLAR	2.307	H	4	26. INSULATOR	2.319
G	27	9. PULLEY	2.274	H	3	27. STATOR	2.310
H	2	10. WASHER	2.280	H	4	28. BUSHING	2.319
		11. BOLT (1/4"-20 x 4/8")	8.900			29. WASHER, Lock (#12)	8.931
H	2	12. NUT	2.280	H	2	30. BOLT (#12-24 x 1")	N.S.
		13. WASHER, Lock (1/4")	8.931			31. FRAME	2.297
		14. NUT	2.316			32. L/WASHER, (#10)	8.931
H	3	15. FRAME	2.305	H	2	33. SCREW, (10-24 x 3/8")	8.906
		16. RETAINER	N.S.			34. BRUSH PKG.	2.285
H	3	17. PLATE	2.307			35. BOLT, (1/4"-20 x 3/4")	8.900
H	2	18. RING ASM	2.279			36. SCREW, Use With 8.931 L/Washer (#8-32 x 9/16")(#8)	N.S.



1969-81 GENERATOR

H	2	1. NUT, Drive End Shaft	2.280	H	3	17. SCREW (#8-32 x 7/8")	8.977
H	2	2. WASHER, Drive End Shaft	2.280	H	3	18. WASHER, Bridge to End Frame	N.S.
G	27	3. PULLEY, Gen	2.274	H	4	19. TERMINAL, Alt Battery	2.313
G	27	4. FAN, Gen Shaft	2.274	H	4	20. BRIDGE, Rectifier-Positive	2.319
H	3	5. COLLAR, Shaft-Outside	2.307	H	2	21. SPRING, Brush Holder	2.286
H	3	6. FRAME, Drive End	2.305	H	2	22. FRAME, Slip Ring End	2.297
H	3	7. SLINGER, Grease	2.307	H	2	23. BOLT, Gen Thru	2.316
H	3	8. BEARING, Drive End	2.306	H	4	24. SCREW, W/Lockwasher (#8-32 x 3/8")	8.977
H	3	9. PLATE, Bearing Retainer	2.307	H	4	25. CAPACITOR, Gen	2.319
H	3	10. COLLAR, Shaft-Inside	2.307	H	2	26. SCREW, Brush Holder-Insulated	2.291
H	2	11. ROTOR, Gen	2.279	H	2	27. SCREW, Brush Holder-Ground	2.291
H	3	12. STATOR, Gen	2.310	H	2	28. WASHER, Screw Insulator	2.291
H	3	13. SCREW, Bearing Retainer Plate	2.307	H	2	29. BRUSH, Gen	2.291
		14. NUT, Hex	8.515	H	15	30. REGULATOR, Voltage	2.500
		15. WASHER, Flat	8.929	H	2	31. SEAL, Slip Ring End Bearing	2.298
H	4	16. DIODE, Negative Trio	2.319	H	2	32. BEARING, Slip Ring End	2.298
				H	4	33. RESISTOR, Regulator to Brush Ground	2.319

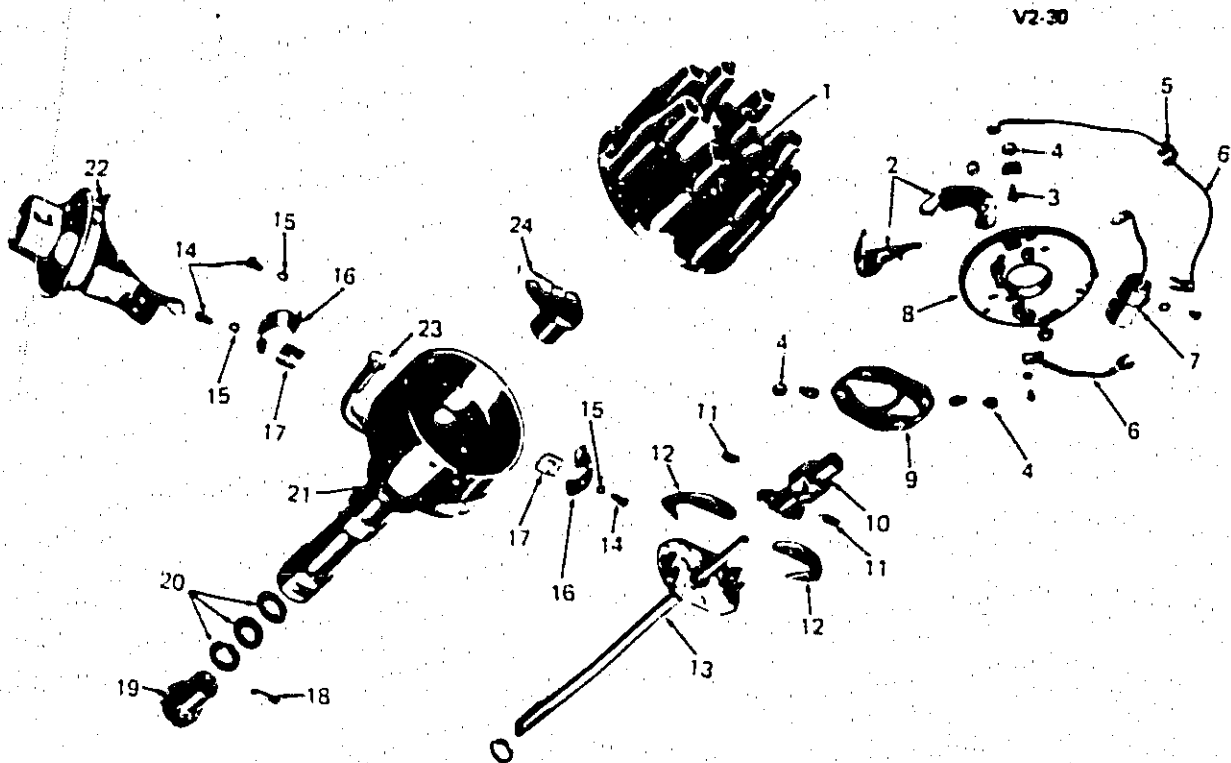


GM02-030
072382

GM02-030

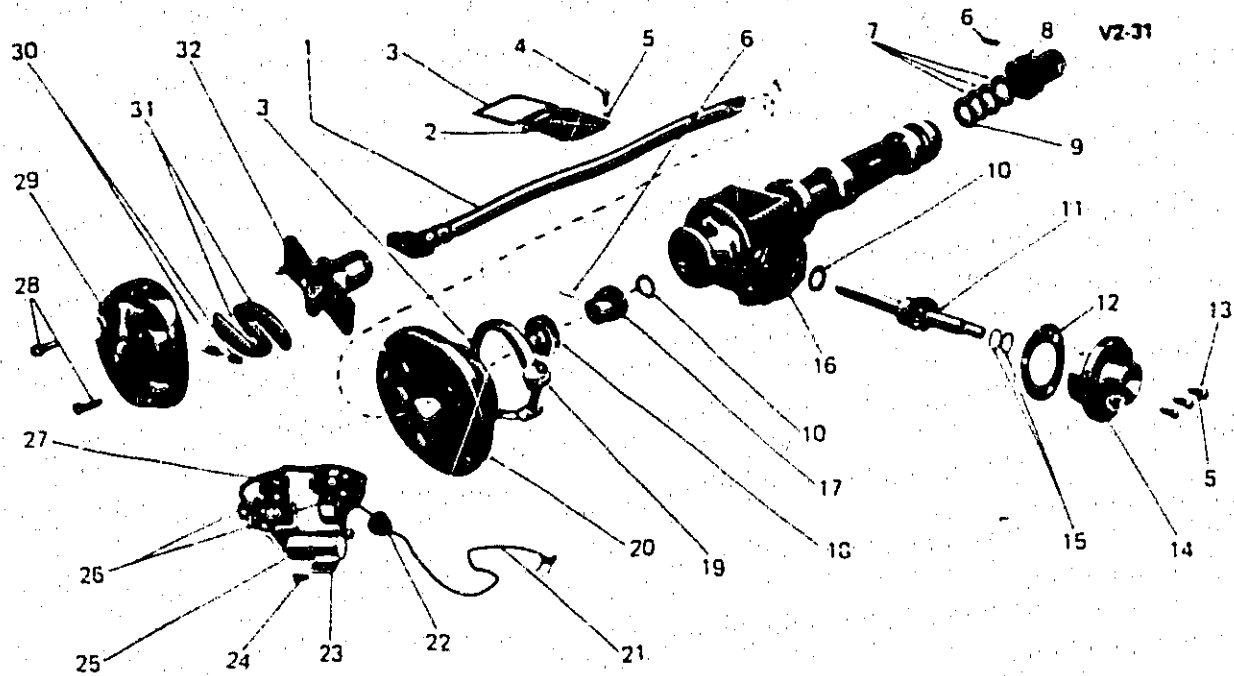
1982 GENERATOR

H	2	1. ROTOR, Gen	2.279	H	4	18. SCREW, Rectifier Bridge Atcj	2.319
H	3	2. STATOR, Gen	2.310	H	4	19. BRIDGE, Diode	2.319
		3. SCREW (8/32" x 1/2")	8.977	H	4	20. DIODE, Trio	2.319
H	4	4. CAPACITOR	2.319			21. BOLT, Through	2.316
G	27	5. FAN, Gen	2.274			22. SEAL, Brg	N.S.
G	27	6. PULLEY, Gen	2.274	H	2	23. BEARING, Slip Rg End	2.298
H	2	7. WASHER, Arm Spr	2.280	H	3	24. TERMINAL, Bat	2.313
H	2	8. NUT, Shf Dr End	2.280	H	2	25. FRAME, S.R.E.	2.297
H	3	9. COLLAR, Shf Dr End O/S	2.307	H	15	26. REGULATOR	2.500
H	3	10. FRAME, Dr End	2.305			27. WASHER	8.929
		11. SLINGER, Grease	N.S.	H	2	28. SCREW, Brush Hldr Atch	2.291
H	3	12. BEARING, Dr End	2.306	H	2	29. SPRING, Brush	2.286
H	3	13. COLLAR, Shaft Dr End I/S	2.307	H	2	30. BRUSH, W/Hldr	2.291
H	3	14. PLATE, Brg Ret Dr End	2.307			31. WASHER	8.929
H	3	15. SCREW, Brg Ret Plt	2.307	H	2	32. SCREW, Brush Hldr Atch	2.291
		16. WASHER	8.929	H	4	33. RESISTOR, Regulator to Brush Grd	2.319
		17. NUT, Hex (#8 -32)	8.915	H	3	34. COLLAR, Shaft - Between Pulley and Fan	2.307



1955-56 V8 IGNITION DISTRIBUTOR

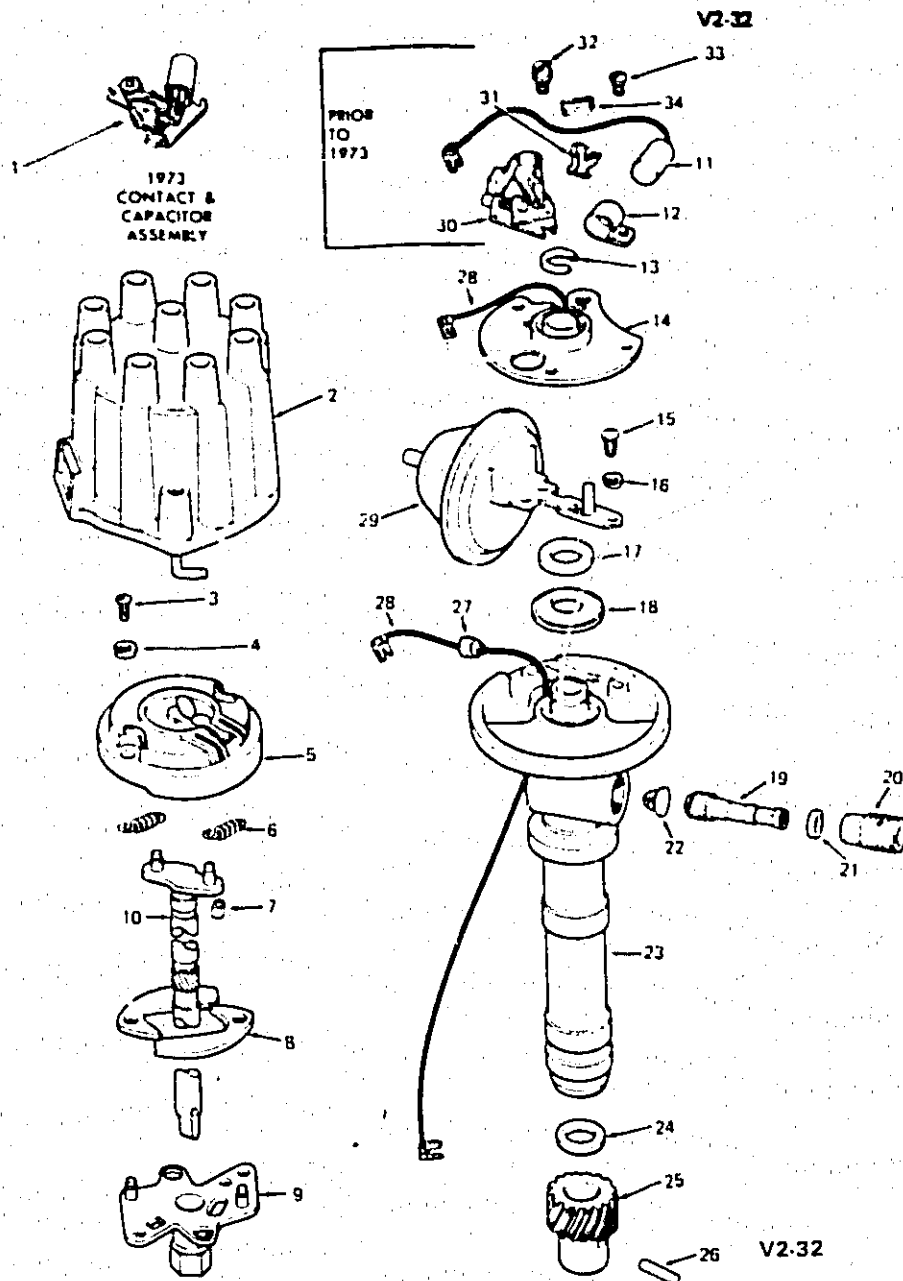
H 6	1. CAP	2.367
H 9	2. POINT UNIT	2.384
H 10	3. SCREW	2.387
	4. NUT	8.915
H 12	5. GRAMMET	2.401
H 11	6. LEAD	2.400
H 11	7. CONDENSER	2.393
H 10	8. PLATE	2.385
H 11	9. PLATE	2.390
H 8	10. CAM	2.381
H 11	11. SPRING	2.339
H 10	12. WEIGHT	2.386
H 7	13. SHAFT	2.372
	14. BOLT	8.906
	15. WASHER, Lock	8.931
H 7	16. SPRING	2.368
H 7	17. SUPPORT	2.369
H 8	18. PIN	2.379
H 8	19. GEAR UNIT	2.374
H 8	20. WASHERS	2.379
	21. HOUSING	N.S.
H 12	22. CONTROL	2.410
H 6	23. OILER ASM	2.364
H 9	24. ROTOR	2.382



V2-31

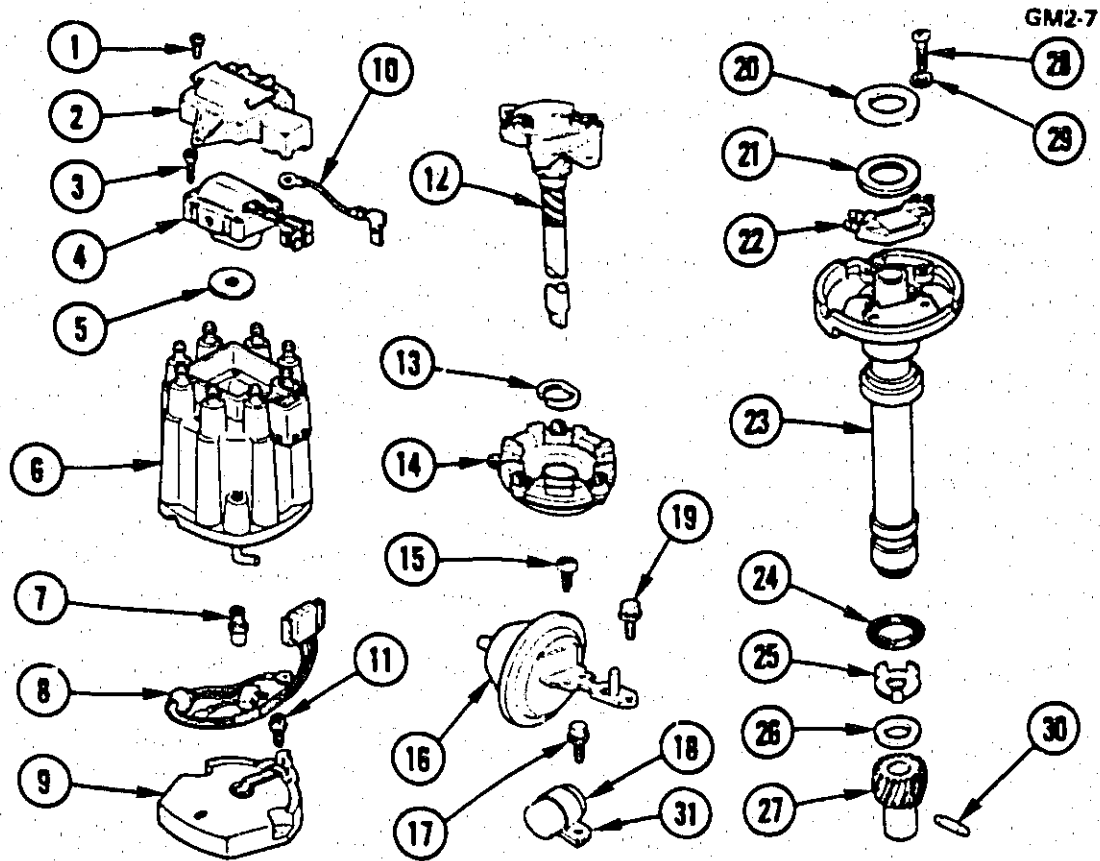
1957-62 FUEL INJECTION IGNITION DISTRIBUTOR

H 7	1. SHAFT	2.372
H 6	2. PLATE	2.362
H 6	3. GASKET	2.363
	4. SCREW (#8-32 x 3/8")	8.906
	5. WASHER, Lock (#8)	8.931
	6. PIN	8.939
H 8	7. SHIM	2.379
H 8	8. GEAR	2.374
H 8	9. WASHER	2.379
N 4	10. WASHER	3.340
N 4	11. SHAFT ASM	3.340
N 4	12. GASKET	3.340
N 4	13. SCREW (#8-32 x 1/2")	8.906
N 4	14. CAP ASM	3.340
N 4	15. SHIM	3.340
H 6	16. HOUSING	2.362
N 4	17. GEAR	3.340
H 6	18. SEAL	2.363
H 6	19. CLAMP	2.362
	20. HOUSING	3.362
H 11	21. LEAD	2.400
H 12	22. GROMMET	2.401
H 11	23. BRACKET	2.393
	24. SCREW (#8-32 x 1/4")	8.907
H 11	25. CONDENSER	2.393
H 9	26. POINT UNIT	2.384
H 11	27. HEAD	2.400
H 10	28. SCREWS	2.387
H 9	29. ROTOR	2.382
H 11	30. SPRING	2.389
H 10	31. WEIGHT	2.388
H 8	32. CAM	2.381



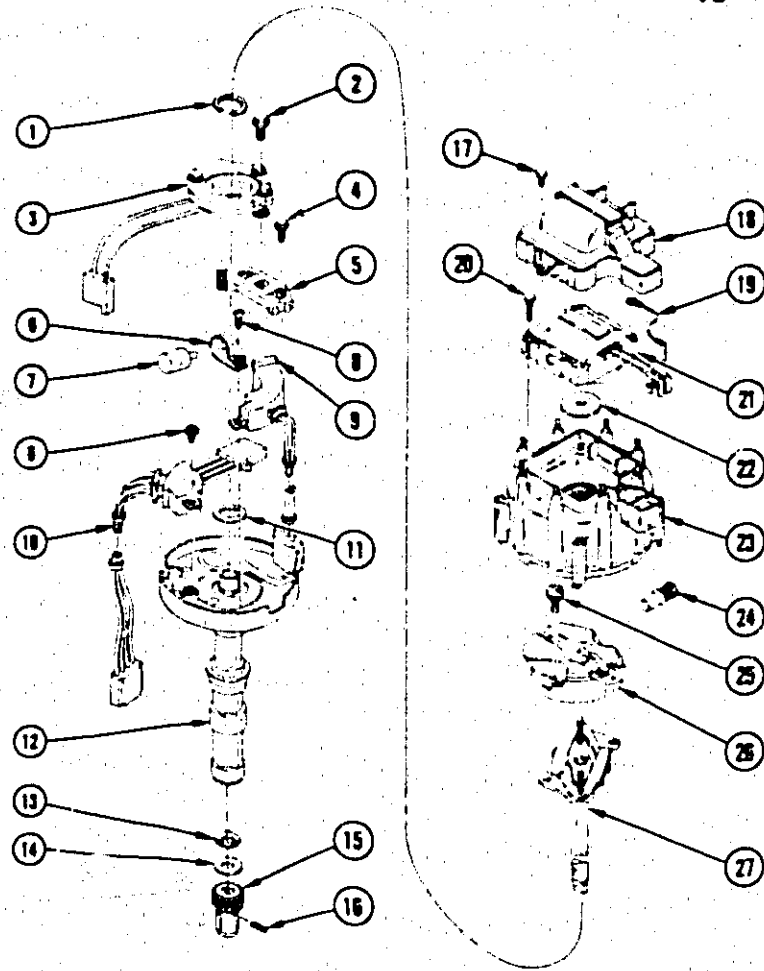
1957-74 V8 IGNITION DISTRIBUTOR

H 9	1. CONTACT & CAPACITOR ASM (1973)	2.384	H 6	17. WASHER	2.364
H 6	2. CAP	2.367	H 6	18. SEAL	2.364
H 11	3. SCREW (#10-32 x 5/8")	8.977	N 24	19. GEAR	9.750
H 10	4. WASHER (#10)	8.932	N 24	20. COUPLING	9.750
H 9	5. ROTOR	2.382	N 24	21. WASHER	9.750
H 11	6. SPRING	2.389	H 8	22. BUTTON	2.381
H 10	7. SLEEVE	2.385	H 6	23. HOUSING	2.362
H 10	8. WEIGHT	2.388	H 8	24. WASHER	2.379
H 8	9. CAM	2.381	H 8	25. GEAR	2.374
H 7	10. SHAFT	2.372	H 12	26. PIN (3/16"x7/18")	8.939
H 11	11. CONDENSER	2.393	H 12	27. GROMMET	2.401
H 11	12. BRACKET	2.393	H 11	28. LEAD	2.400
H 10	13. SPRING	2.385	H 12	29. CONTROL	2.410
H 10	14. PLATE	2.385	H 9	30. POINT UNIT	2.384
H 10	15. SCREW (#8-32 x 3/8")	8.977	H 6	31. RETAINER	2.364
H 10	16. WASHER (#8)	8.931	H 6	32. SCREW (#8-32 x 5/16")	8.906
			H 6	33. SCREW (#8-32 x 1/4")	8.906
			H 6	34. WICK	2.364



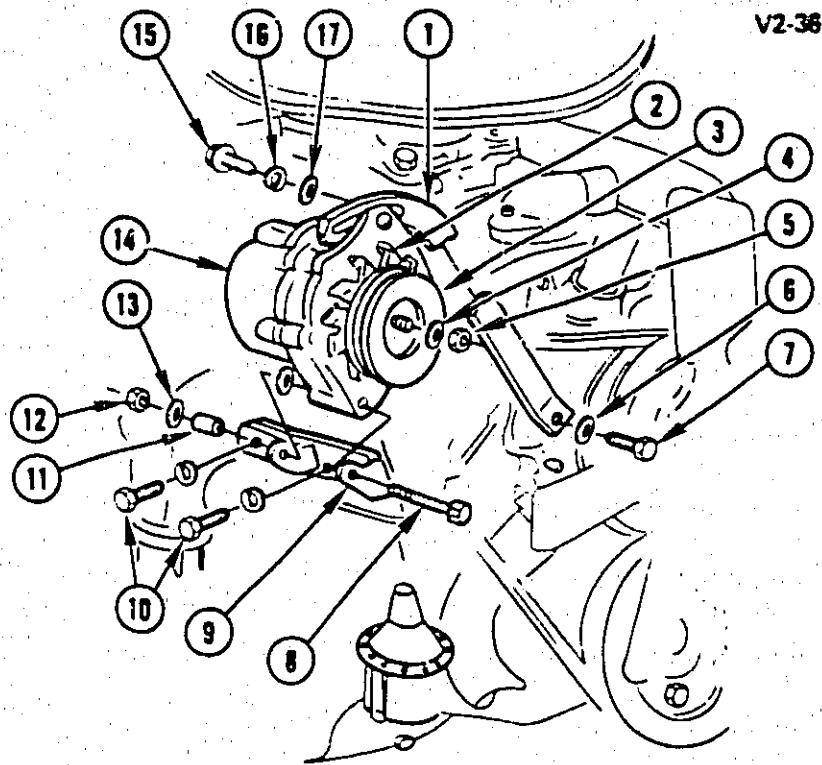
1974-80 HIGH ENERGY IGNITION DISTRIBUTOR

H 7	1. SCREW, Cap Cover Attaching	2.368	H 11	17. SCREW, Capacitor brkt	2.393
H 7	2. COVER, Distr Cap	2.368	H 11	18. CAPACITOR, Distr	2.393
G 22	3. SCREW, Coil Mtg W/Washer	2.183	H 11	19. SCREW (#8-32 x 7/16")	8.900
G 21	4. COIL, Distr	2.170	H 6	20. WASHER, Felt, Under Pole Piece & Plate (Last used in 1979)	2.364
G 22	5. SEAL, Coil to Distr Cap	2.183	H 6	21. SEAL, Distr Hsg	2.363
H 6	6. CAP, Distr	2.367	H 9	22. MODULE, Control	2.383
H 7	7. BRUSH, Resistor	2.388	H 6	23. HOUSING, Distr	2.362
H 9	8. TERMINAL BLOCK, Module	2.383	H 6	24. "O" RING, Distr Hsg Stem	2.363
H 9	9. ROTOR, Distr	2.382	H 8	25. WASHER, Shaft Spacer (Tang)	2.379
H 11	10. LEAD, Distr Ground	2.400	H 8	26. WASHER, Shaft Thrust	2.379
H 9	11. SCREW, Rotor W/Washer	2.383	H 8	27. GEAR, Distr Driven	2.374
H 7	12. MAINSHAFT, Distr	2.372	H 9	28. SCREW, Module	2.383
H 7	13. RETAINER, Pole Piece & Plate	2.372	H 9	29. WASHER, Module	N.S.
H 7	14. POLE PIECE & PLATE, Distr Main	2.372	H 8	30. PIN, Gear Attach	2.379
H 7	15. SCREW (#8-32 x 7/16")	8.900	H 11	31. BRACKET, Distr Capacitor	2.393
H 12	16. CONTROL, Distr Vac	2.410			



1981-82 'Y' HIGH ENERGY IGNITION DISTRIBUTOR

H	7	1.	2.372	RETAINER, Pole Piece & Plate	830446	H	6	11.	2.363	SEAL, Housing	1950569
H	7	2.	2.372	SCREW, W/Lk Wa, Pole Piece & Plate	1977376	H	6	12.	2.362	HOUSING, Distr (includes Items 1 thru 11)	1978152
H	7	3.	2.372	POLE PIECE, W/Plate (1981)	1976897	H	8	13.	2.379	WASHER, Tang Under Gear	1965864
H	7		2.372	POLE PIECE, W/Plate (1982)	1977207	H	8	14.	2.379	WASHER, Under Gear	1837617
H	9	4.	2.383	SCREW, W/Lk Wa, Module Attaching	1891234	H	8	15.	2.374	GEAR, Distr	1958599
H	9	5.	2.383	MODULE, Distr (1981)	1978617	H	16.	8.939	PIN, Distr Gear (3/16" x 7/8")	456652	
H	9		2.383	MODULE, Distr (1982)	1976908	H	7	17.	2.368	SCREW, Distr Cap Cvr Attaching	1876153
H	9		2.383	SHIELD, Module (1982) (Not Shown)	1984382	H	7	18.	2.368	COVER, Distr Cap	1875960
		6.	N.S.	BRACKET, Capacitor (Part of Item 9 & 12)		H	11	19.	2.400	STRAP, Ground	1894868
		7.	N.S.	CAPACITOR, Distr (Part of Item 9 & 12)		G	22	20.	2.183	SCREW, W/Wa, Ign Coil Attaching	1875961
		8.	N.S.	SCREW, Pan Hd C/R (#8-32 x 11/32") (Part of Item 9 & 12)		G	21	21.	2.170	COIL, Ignition (1981)	1985473
						G	21		2.170	COIL, Ignition (1982)	1985474
						G	22	22.	2.183	SEAL, Under Ign Coil	1875962
H	9	9.	2.383	TERMINAL BLOCK (Includes Items 6, 7 & 8)	1892261	H	6	23.	2.367	CAP, Distr	1974408
H	9	10.	2.383	TERMINAL BLOCK (To Module)	1979733	H	7	24.	2.388	BRUSH, Distr Cap Res	1875967
						H	9	25.	2.383	SCREW, W/Wa, Rotor Attaching	1875948
						H	9	26.	2.382	ROTOR, Distr	1977026
						H	7	27.	2.372	SHAFT, Main	1976909

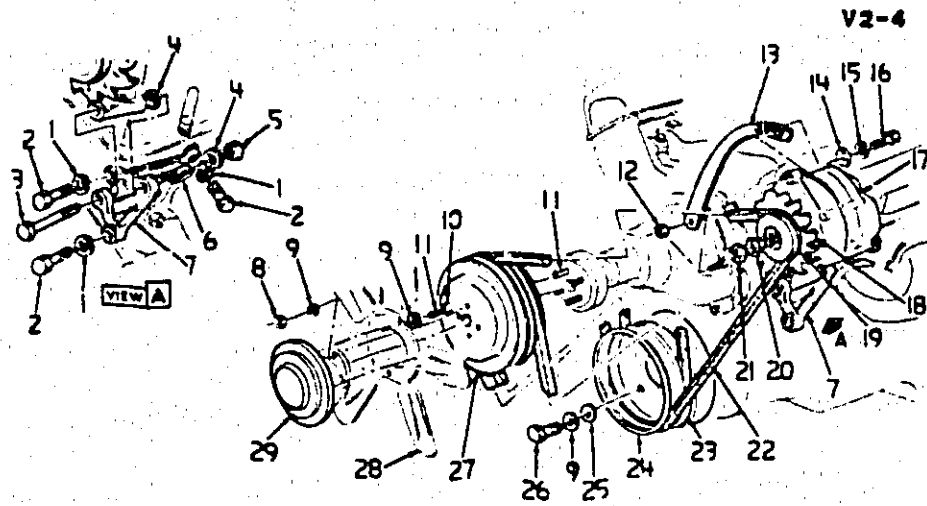


V2-36

V2-36

1963-65 'Y' GENERATOR MOUNTING (327)

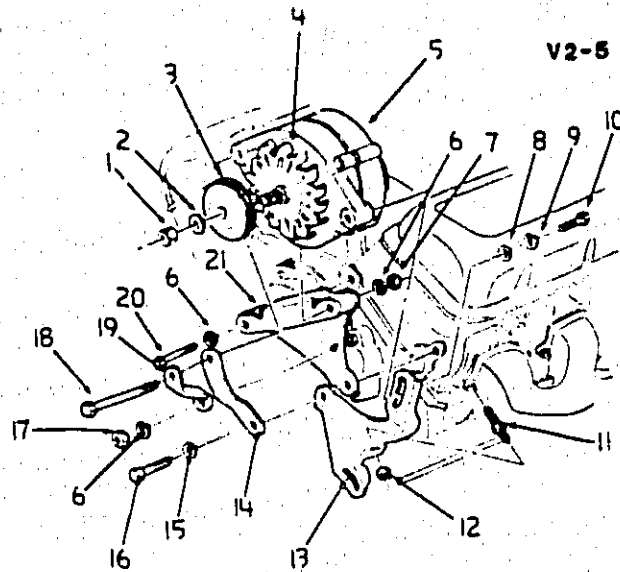
H 4	1. BRACE, Generator	2.317
G 27	2. FAN	2.274
G 27	3. PULLEY, Generator	2.274
H 2	4. WASHER, Wave (5/16")	2.280
H 2	5. NUT, Hex (5/8"-20 x 1 3/8")	2.280
	6. WASHER	8.931
	7. BOLT, Hex	8.900
	8. BOLT, Hex (3/8"-16 x 4")	8.900
G 28	9. BRACKET	2.277
	10. BOLT, Hex (7/16"-14 x 1 3/8")	8.900
	11. SPACER	N.S.
	12. NUT, Hex (3/8"-16)	8.917
G 28	13. WASHER, Gen to Brkt	2.277
G 28	14. GENERATOR ASM	2.275
	15. BOLT	8.900
	16. WASHER, (5/16")	8.932
	17. WASHER, (11/32")	8.931



V2-4

1965-74 'Y' H/PER GENERATOR MOUNTING (396, 427, 454)

	1. WASHER (3/8")	8.931
	2. BOLT (3/8"-16 x 1")	8.900
	3. BOLT	8.900
	4. WASHER	8.929
	5. NUT (3/8"-16)	8.917
G 28	6. SPACER	2.277
G 28	7. BRACKET	2.277
	8. NUT (5/16"-18)	8.915
	9. WASHER (1/4")	8.931
	10. NUT (5/16"-24)	8.917
E 16	11. STUD	1.073
	12. NUT (3/8"-16)	8.915
H 4	13. BRACE	2.317
	14. WASHER (23/64")	8.929
	15. WASHER (5/16")	8.931
	16. BOLT (5/16"-18 x 1")	8.900
G 28	17. GENERATOR	2.275
G 27	18. FAN	2.274
G 27	19. PULLEY	2.274
	20. WASHER (3/8")	8.931
	21. BOLT (3/8"-16 x 2")	8.900
E 16	22. BELT	1.066
E 16	23. BELT	1.066
E 3	24. PULLEY	0.659
	25. WASHER	8.931
	26. BOLT	8.900
E 14	27. PULLEY ASM	1.062
E 15	28. BLADE ASM	1.064
E 14	29. CLUTCH ASM	1.050

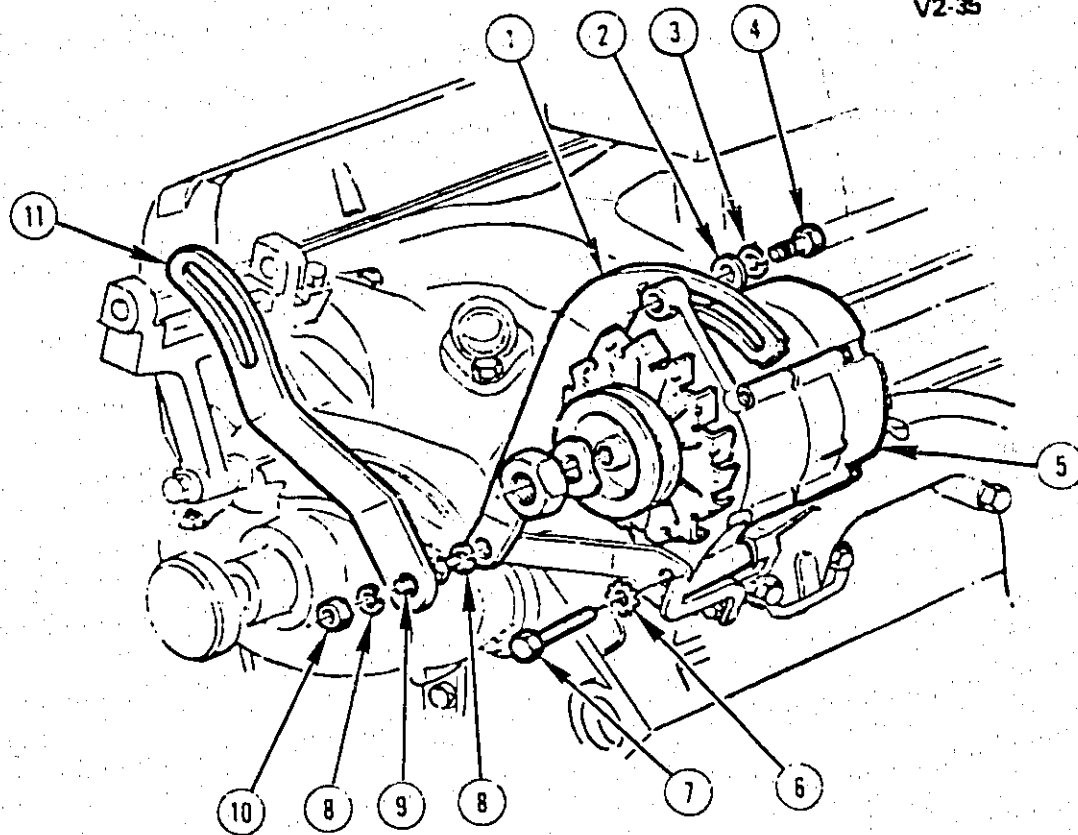


V2-5

1965-74 "Y" GENERATOR MOUNTING W/P/S (396, 427, 454)

H	2	1. NUT, Generator (5/8"-20)	2.280
H	2	2. WASHER, Generator (Wave)	2.280
G	27	3. PULLEY, Generator	2.274
G	27	4. FAN	2.274
G	28	5. GENERATOR	2.275
		6. WASHER (3/8")	8.921
		7. NUT (5/16"-24)	8.917
		8. WASHER (23/64")	8.929
		9. WASHER (5/16")	8.931
		10. BOLT (5/16"-18 x 1")	8.900
N	4	11. STUD	3.275
		12. NUT	8.916
N	17	13. BRACE, Pump Mounting	6.606
G	28	14. SUPPORT, Lwr	2.277
		15. WASHER (5/16")	8.931
		16. BOLT (3/8"-16 x 1 1/4")	8.900
		17. NUT (3/8"-16)	8.915
		18. BOLT (3/8"-16 x 4 1/2")	8.900
G	28	19. SUPPORT, Upr	2.277
		20. BOLT (3/8"-16 x 2 3/8")	8.900
G	28	21. BRACKET	2.277

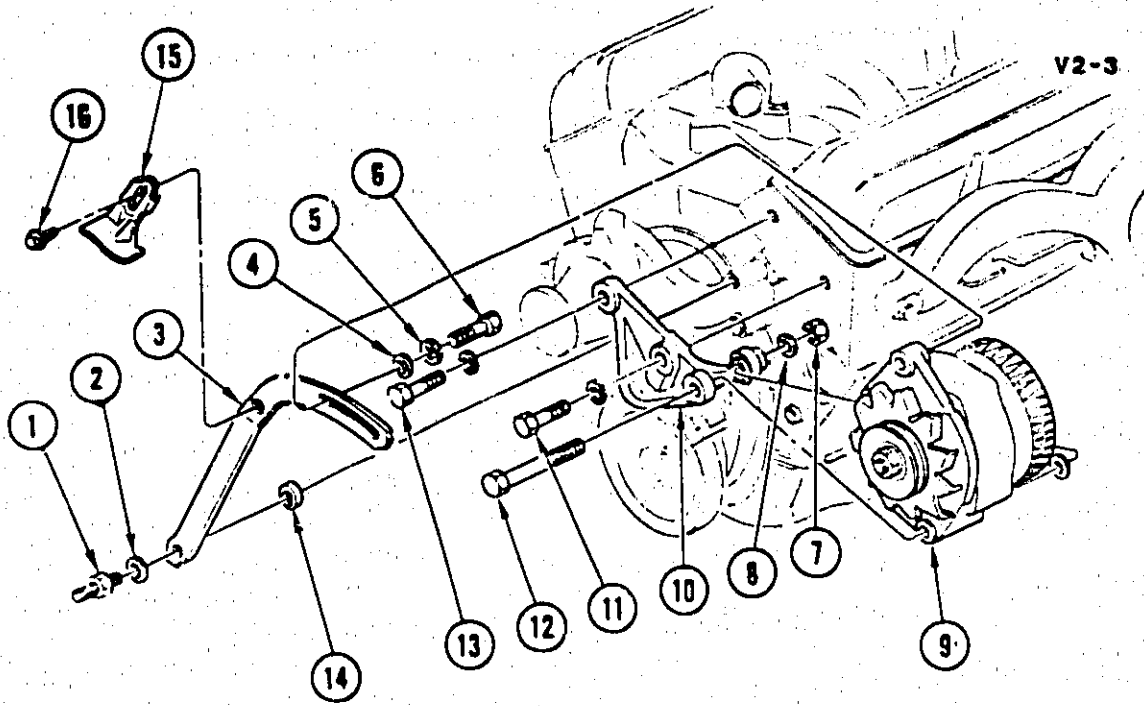
V2-35



V2-35

1966-72 'Y' GENERATOR MOUNTING (327, 350)

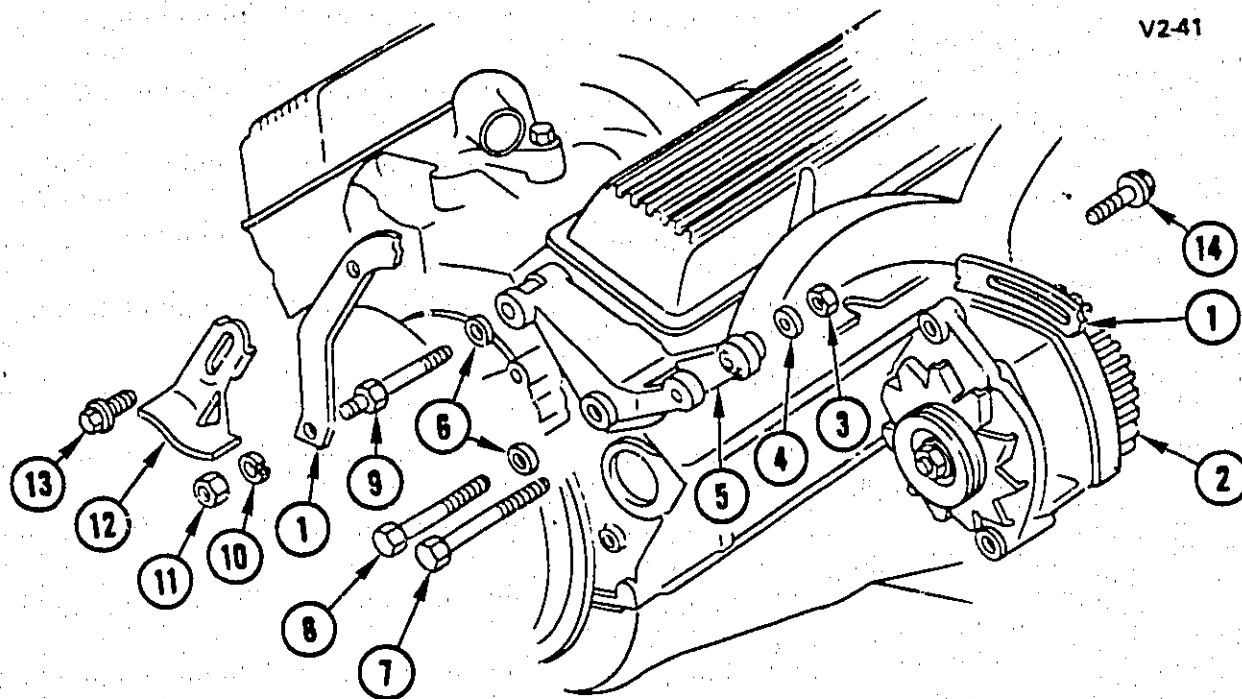
H	4	1. BRACE, Generator	2.317
		2. WASHER, Gen to Brace (11/32'')	8.929
		3. WASHER, Lock (5/16'')	8.931
		4. BOLT (5/16''-18 X 1'')	8.900
G	28	5. GENERATOR ASM	2.275
		6. WASHER, Ext Tooth Lock	8.932
		7. BOLT (3/8''-16 X 2 3/4'')	8.900
		8. WASHER, Lock (3/8'')	8.931
E	16	9. STUD, Upper (3/8''-16 X 2 15/16'')	1.073
		10. NUT (3/8''-16)	8.917
N	8	11. BRACE, A.I.R. Pump	3.655



V2-3

1973-81 'Y' GENERATOR MOUNTING (EXC 70 AMP)

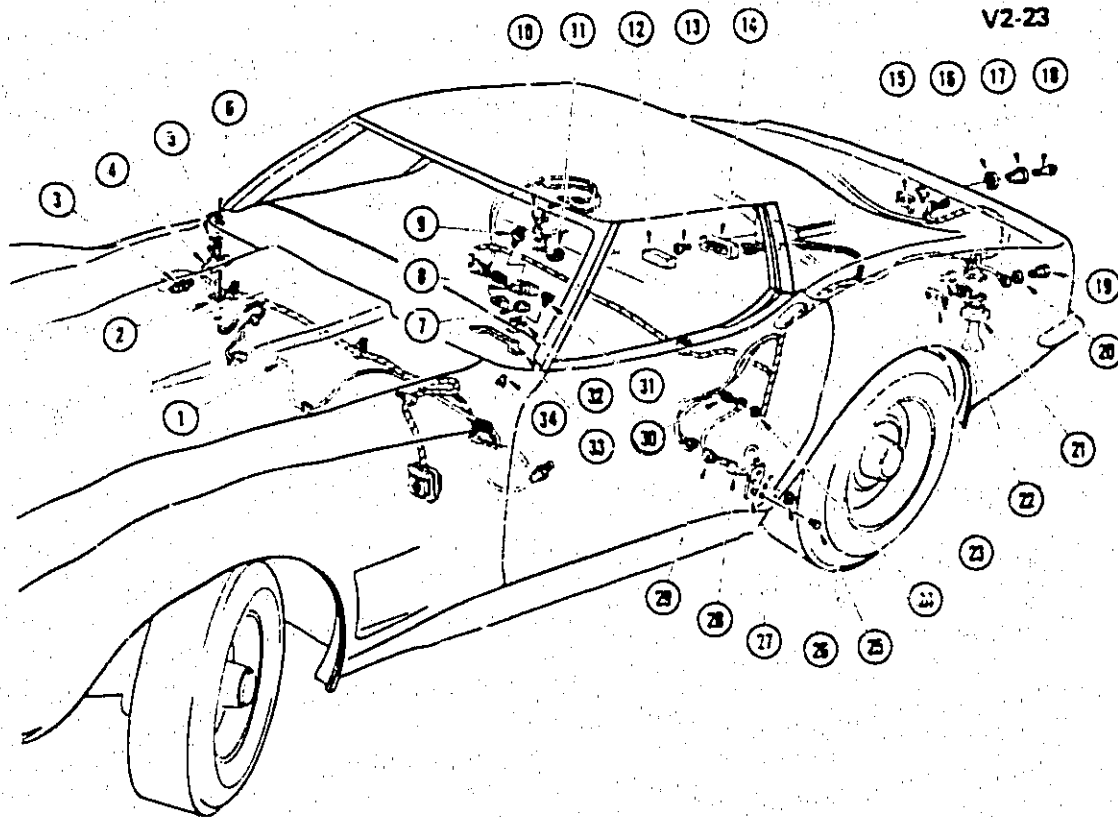
E 16	1. STUD (3/8"-16 x 2 15/16")	1.073
	2. WASHER (3/8" x 43/64")	8.931
H 4	3. BRACE, Generator	2.317
	4. WASHER, Generator to Brace (11/32")	8.929
	5. WASHER (5/16" x 19/32")	8.931
	6. BOLT (5/16"-18 x 1")(1973-78)	8.900
	BOLT (M8-1.25 x 25)(1979-81)	8.900
	7. NUT (3/8"-16)(1973-78)	8.917
	NUT (M10-1.5)(1979-81)	8.917
G 28	8. WASHER, Generator to Brkt (25/64" x 47/64")	2.277
G 28	9. GENERATOR ASM	2.275
G 28	10. BRACKET, Generator	2.277
	11. BOLT (3/8"-16 x 1 3/8")	8.900
	12. BOLT (3/8"-16 x 4")(1973-78)	8.900
	BOLT (M10-1.5 x 100)(1979-81)	8.900
	13. BOLT (3/8"-16 x 1 1/4")	8.900
	14. SPACER, Generator Brkt	N.S.
G 27	15. GUIDE, Generator Belt	2.274
	16. BOLT (5/16"-18 x 5/8")	8.900



V2-41

1980-82 'Y' GENERATOR MOUNTING (70 AMP)

H 4	1. BRACE, Gen Adj	2.317
G 28	2. GENERATOR	2.275
	3. NUT (M10-1.5)	8.917
	4. WASHER	8.931
G 28	5. BRACKET, Gen Mtg	2.277
	6. WASHER	5.929
	7. BOLT (M10-1.5 x 100)	8.900
	8. BOLT (3/8-16 x 3)	8.900
E 16	9. STUD	1.073
	10. WASHER	8.931
	11. NUT (3/8-16)	8.915
G 27	12. GUIDE, Gen Belt	2.274
	13. BOLT (5/16-18 x 5/8)	8.900
	WASHER	8.931
	14. BOLT (M10-1.5 x 25)	8.900

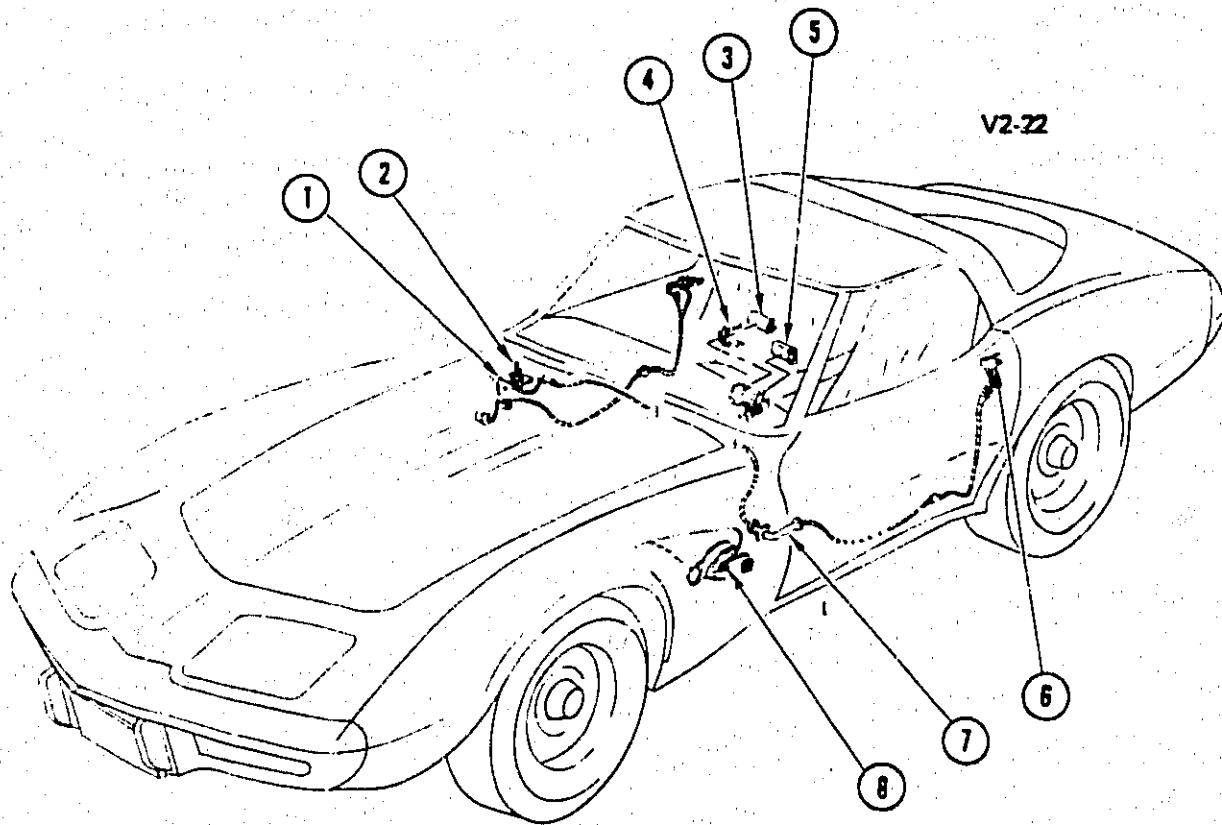


V2-23

V2-23

1968-76 'Y' ANTI-THEFT SYSTEM

II 14	1. HARNESS, Incl Pnl Wrg	2.480	G 22	18. KEY	2.187
	2. RETAINER	8.934		19. ROLT (5/16"-18 x 5/8")	8.900
N 27	3. SWITCH	11.950		20. WASHER (5/16")	8.932
G 23	4. BRACKET, Anti-Theft Hood Switch	2.195	G 23	21. HORN	2.195
	5. RIVET	8.967		22. BOLT (5/16"-18 x 3/4")	8.900
N 27	6. SWITCH	11.950	G 23	23. PLATE	2.195
H 17	7. FLASHER, Anti-Theft Horn	2.575		24. WASHER (#10)	8.932
H 24	8. RELAY, Anti-Theft Horn	2.815		25. RIVET (1/4" x 3/8")	8.967
	9. SCREW (#250-14 x .500)	8.977	N 27	26. SWITCH, Dr Ajar Warning Lamp	11.950
N 26	10. SWITCH, Rr Stor Compt	10.275	N 27	27. PLATE, W/Wire, Dr Ajar Warn Lp	12.840
N 26	11. LENS, Rr Compt Stor Lamp	10.275	N 24	28. GROMMET, Body Wrg Harn	9.775
N 27	12. LENS, Rr Compt Ctsy Lamp	11.928	N 24	29. GROMMET, Body Wrg Harn	9.775
	13. SCREW (#8-18 x .625)	8.909		30. SCREW (#10-16 x 1/2")	8.977
N 27	14. REFLECTOR, Side Roof Rail Lamp	11.927		31. SCREW (#6-20 x .500)	8.977
N 26	15. RETAINER, Anti-Theft Switch	10.551	H 24	32. CLIP, Dir Sig Lp Flshr	2.892
G 23	16. GASKET, Alarm System Switch	2.195	G 23	33. BRACKET, Horn Relay	2.195
G 23	17. SWITCH	2.195		34. RIVET (3/16" x 7/16")	8.967

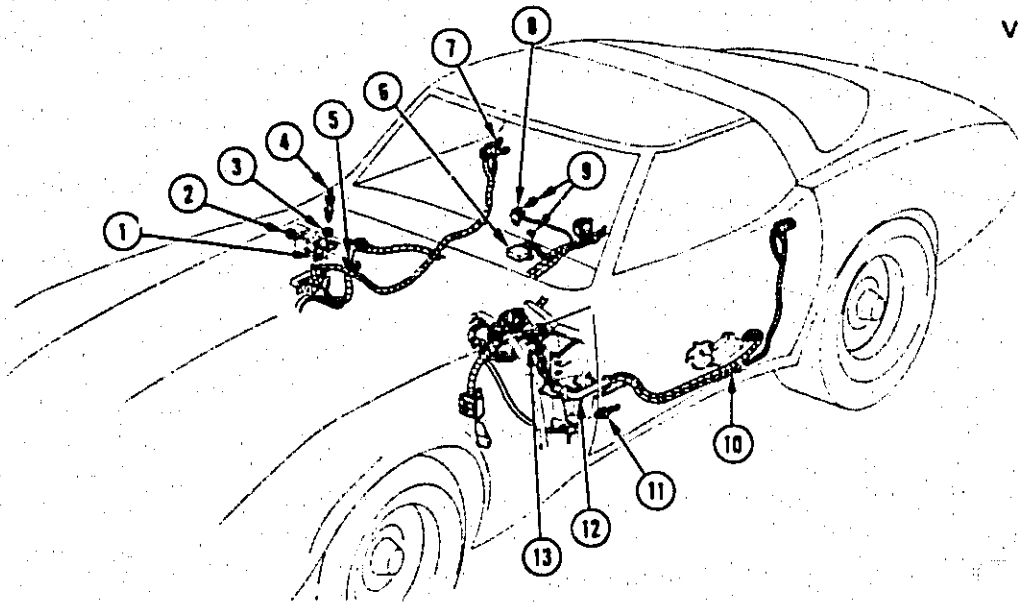


V2-22

1977-80 'Y' ANTI-THEFT SYSTEM

G 23	1. BRACKET, Anti-Theft Hood Switch	2.195
G 23	2. SWITCH ASM, Anti-Theft Hood	2.195
H 17	3. FLASHER ASM, Anti-Theft Horn	2.575
H 24	4. CLIP, Anti-Theft Horn Flasher	2.892
G 23	5. RELAY ASM, Anti-Theft Horn	2.195
G 23	6. SWITCH, W/Wire, Si Dr Anti-Theft	2.195
N 26	CONTACT, F/D Lk Cyl Anti-Theft	10.485
N 26	7. CONDUIT, Wiring Harness	10.778
G 23	8. HORN ASM, Anti-Theft	2.135

V2-43



V2-43

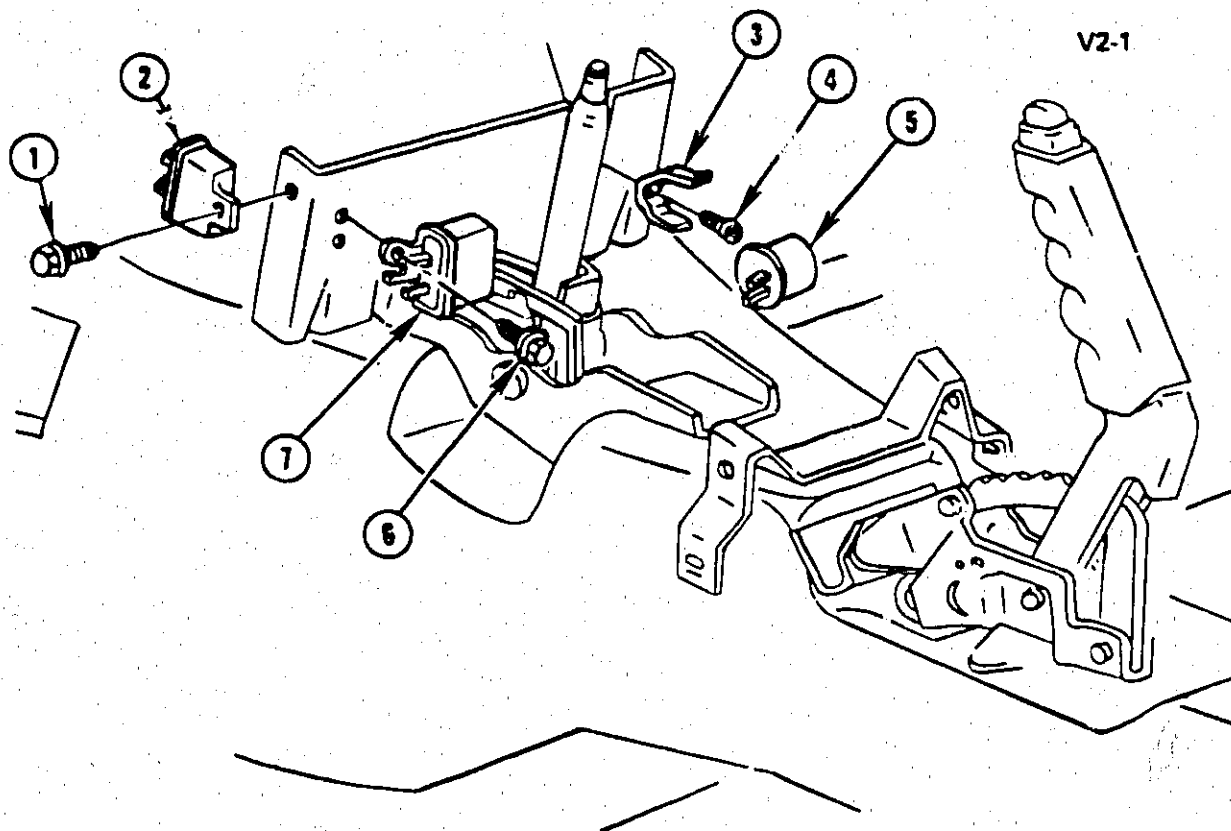
1981-82 'Y' ANTI THEFT SYSTEM

G 23	1. BRACKET, Theft Alarm Hood Sw	2.195
	2. NUT, Hex (#10-24)	8.915
	3. WASHER	8.929
G 23	4. SWITCH, Anti-Theft Hood (11.950)	2.195
	5. SCREW, Hex Hd Mach (#10-24 x 3/4")	8.900
G 23	6. CONTROLLER, Theft Deter	2.195
N 26	7. CONTACT, F/D Lk Cyl Anti-Theft	10.485
N 26	8. CONTACT, F/D Lk Cyl Anti-Theft	10.485
	9. SCREW, (M4.2-1.41 x 13)	8.977
N 26	10. WIRE, Power Window-LH	10.777
N 26	WIRE, Power Window-RH	10.777
N 27	11. SWITCH, Ctsy Lp-RH	11.950
N 27	SWITCH, Ctsy Lp-LH	11.950
N 26	12. CONDUIT, Door Elec Wrg	10.778
H 17	13. STRAP, (7") Adjustable	2.559

MICROFICHE INDEX
GROUPS 0.000 THRU 2.000 & 21.000
FICHE 1 OF 6

GROUP DESCRIPTION	STARTING GRID LOCATION	
	PARTS	ILLUSTRATIONS
- INTRODUCTION	A-5	J-2
- GENERAL INFORMATION	A-2	J-2
- ALPHABETICAL INDEX	C-11	N.A.
- INDEX FOR ADDITIONAL INFORMATION	A-5	N.A.
0.000 ENGINE - CLUTCH	D-12	J-6
1.000 COOLING - GRILLE - OIL SYSTEM	E-11	K-15
2.000 CHASSIS WIRING - LAMPS	G-13	L-7
21.000 ACCESSORY REFERENCE LIST	D-9	N.A.
- OUT OF FICHE CALLS	N.A.	N-2

M-1

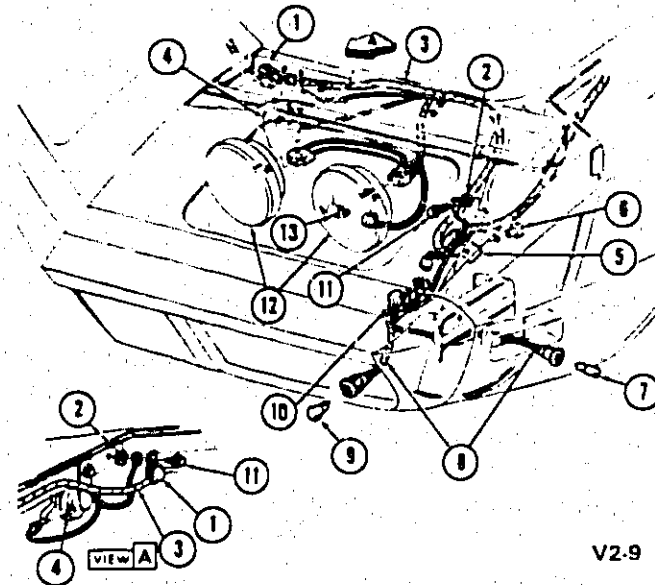


V2-1

1978-80 'Y' WINDOW & ANTI-THEFT RELAY

	1. SCREW (M4.2 x 1.41 x 13)	8.977
N 28	2. RELAY, Elec	13.095
H 24	3. CLIP, Dir Sig Lmp Flshr	2.892
	4. SCREW (M4.2-1.41 x 1.6)	8.977
H 17	5. FLASHER, Traffic Hazard	2.575
	6. SCREW (#10-16 x 1/2")	8.977
H 16	7. RELAY, Aux Batt & Anti-Theft Horn	2.510

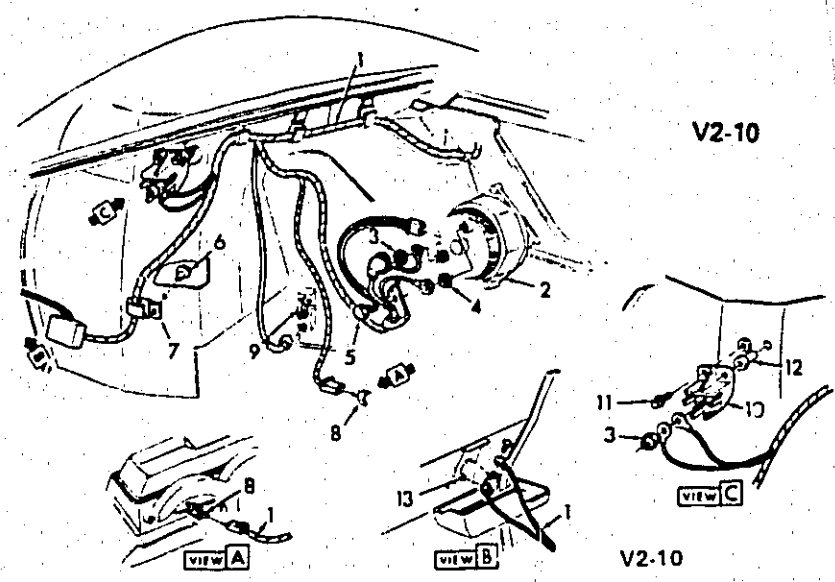
V2-9



V2-9

1974-79 'Y' FORWARD LAMP WIRING L.H.

	1. CLIP, (11/16" x 1/4")	8.950	H 19	8. WIRE, Parking Marker Lamp	2.596
	2. WASHER, Lock (1/4")	8.932		9. BULB, Park Lamp	8.991
H 14	3. HARNESS ASM, Forward Lamp	2.480	H 17	10. RETAINER, Adj (Plastic Push-In)	2.559
H 23	4. HORN ASM	2.810		11. SCREW (1/4" 14 x 1/2")	8.977
H 17	5. CLIP, Chassis Wiring Harness	2.559	H 21	12. CAPSULE, HdIp W/Seal Beam	2.725
	6. RIVET	8.967	H 22	13. SWITCH ASM, HdIp Door Open	2.755
	7. BULB, Marker Lamp	8.991		Warning	2.755

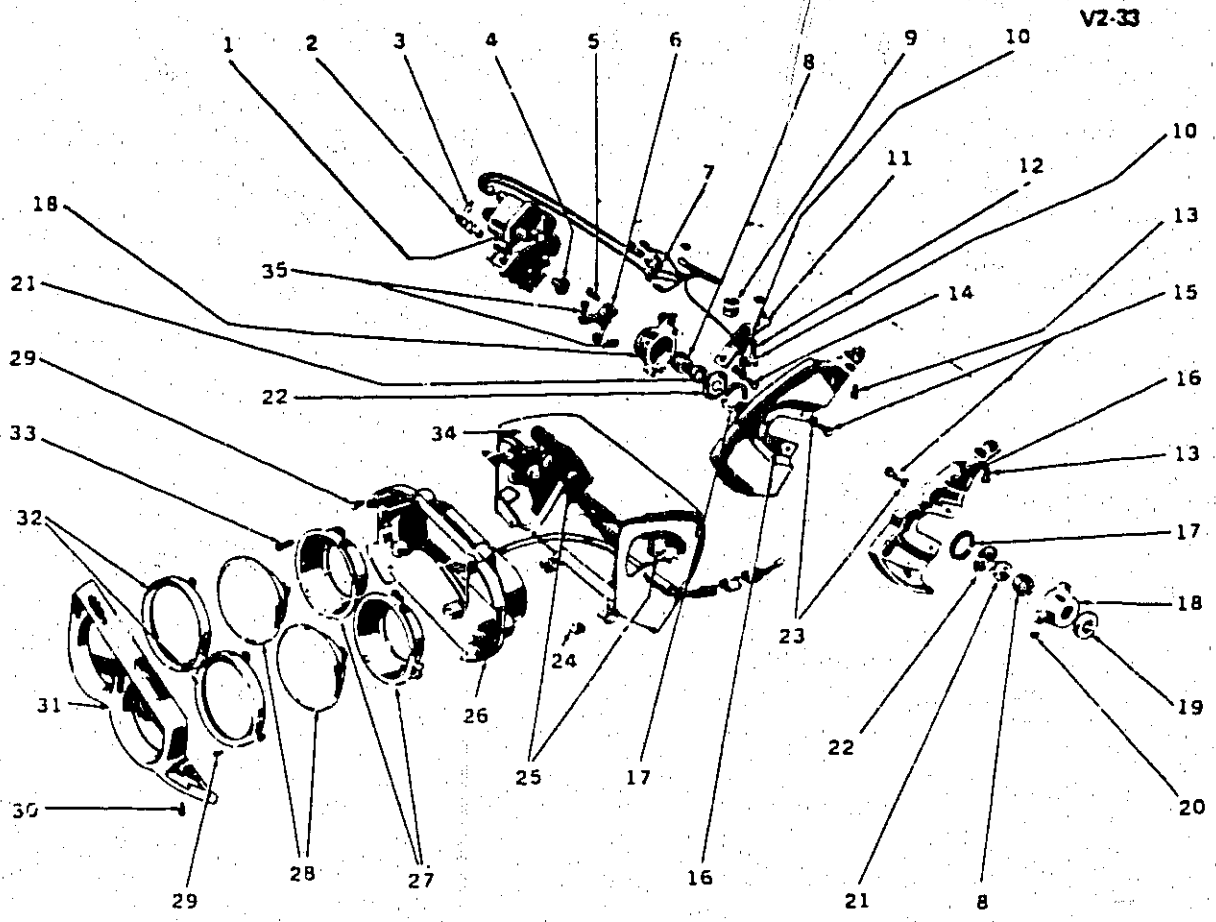


V2-10

V2-10

1974-76 'Y' FORWARD LAMP WIRING

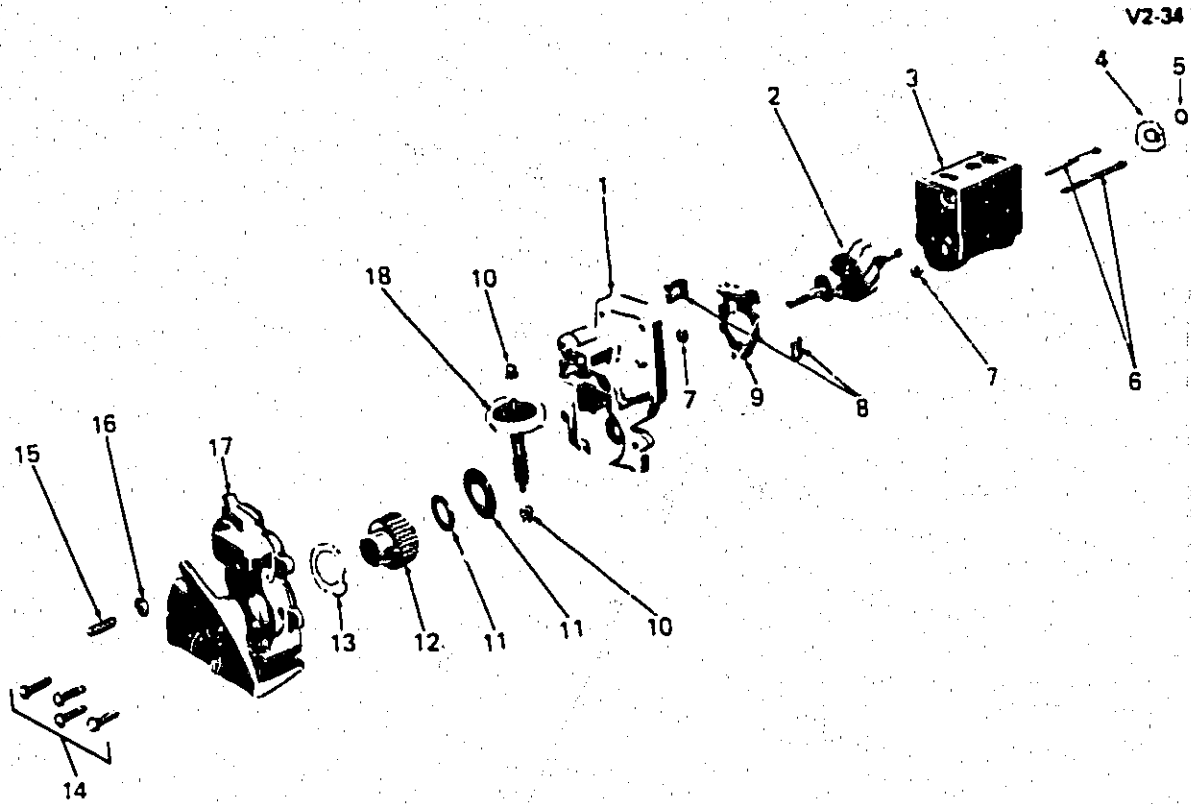
H 14	1. HARNESS, Forward Lamp	2.480	H 17	7. CLIP, Harness	2.559
G 28	2. GENERATOR ASM	2.275	E 17	8. SWITCH, Temperature	1.150
	3. NUT, Hex Lock (#12-24)	8.915		9. SWITCH, Brake	4.874
	4. WASHER	8.931	H 5	10. BLOCK ASM	2.342
H 3	5. BOLT	2.313	H 15	11. SCREW	2.500
	6. RIVET	8.967		12. NUT, Barrel	8.924
			G 23	13. SWITCH, Anti-Theft	2.195



V2-33

1963 'Y' FRONT LAMPS

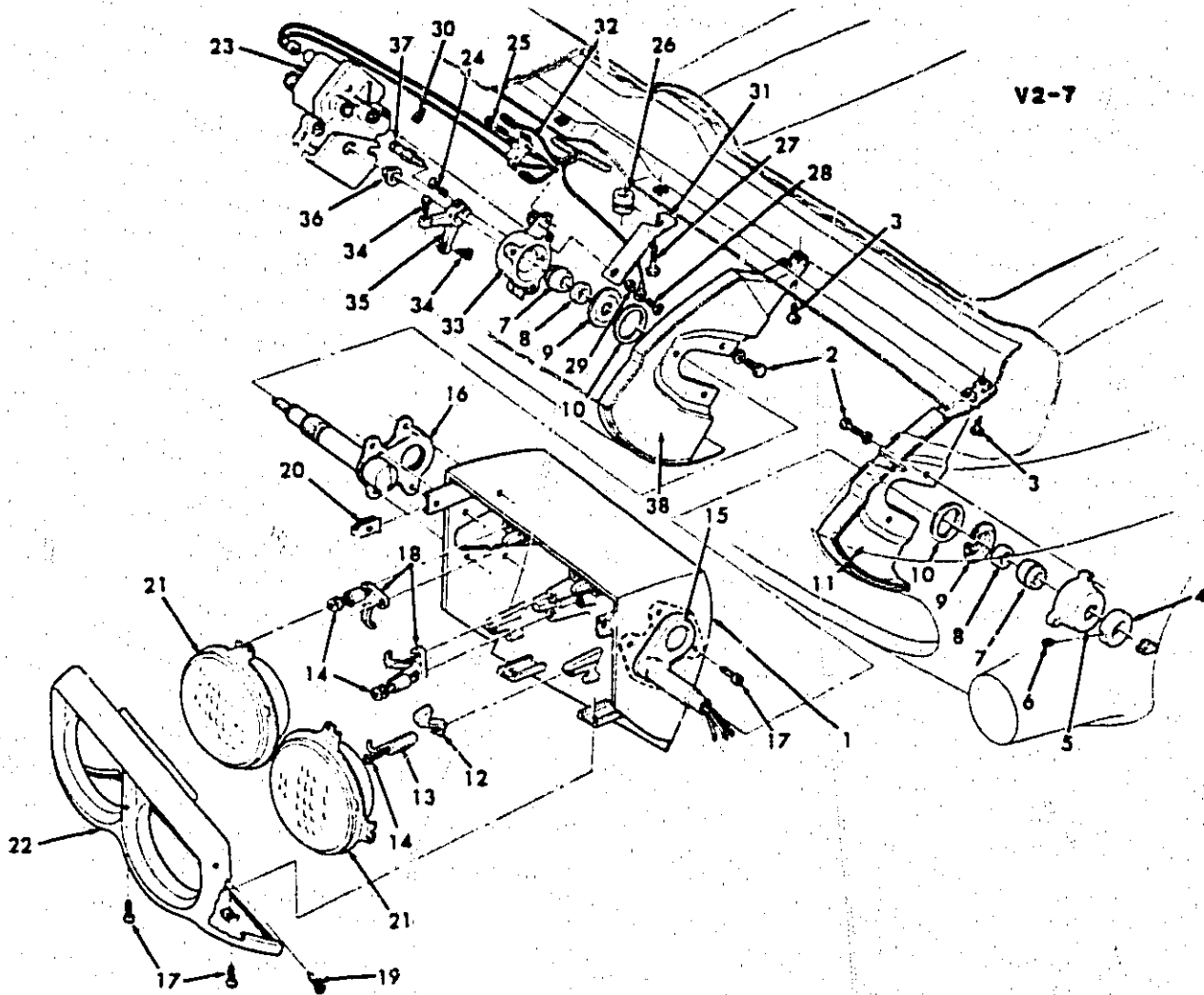
H 22	1. MOTOR ASM	2.760	H 22	18. SUPPORT	2.765
H 22	2. STUD	2.765	H 23	19. SPACER	2.770
	3. SPRING (5/16")	8.934		20. SCREW	N.S.
N 17	4. BUSHING	4.626	H 23	21. SEAL	2.775
	5. BOLT (1/4"-20 x 1 1/4")	8.900	H 23	22. RETAINER	2.775
H 23	6. STOP	2.775		23. WASHER, Lock (5/16")	8.931
H 22	7. SWITCH ASM	2.755		24. NUT	N.S.
H 22	8. BEARING ASM	2.785	H 23	25. PLUG	2.770
N 25	9. SPACER	10.152	H 21	26. LAMP ASM	2.725
	10. WASHER, Lock (#10)	8.932	H 21	27. RING	2.726
H 22	11. RETAINER	2.760	H 21	28. SEALED BEAM	2.727
	12. BOLT (#10-24 x 1")	8.908	H 22	29. SCREW	2.736
	13. BOLT (1/4"-20 x 1/2")	8.900		30. SCREW (#8-18 x 1/2")	8.977
	14. BOLT (#10-24 x 3/8")	8.900	H 21	31. BEZEL	2.728
	15. BOLT (5/16"-18 x 3/4")	8.900	H 22	32. RING	2.731
H 23	16. END ASM	2.770	H 22	33. SCREW	2.737
H 22	17. WASHER	2.765	H 23	34. HOUSING	2.770
			H 23	35. SCREW	2.775



V2-34

1963-67 'Y' HEADLAMP MOTOR

	1.	Part of 2.760 MOTOR ASM	N.S.
H 22	2.	ARMATURE	2.760
	3.	Part of 2.760 MOTOR ASM	N.S.
H 22	4.	DISC	2.760
H 22	5.	RING	2.760
H 22	6.	BOLT	2.760
H 22	7.	BRUSH	2.760
N 27	8.	BRACKET	10.783
N 26	9.	HOLDER	10.661
H 22	10.	BEARING	2.760
H 22	11.	WASHER	2.760
H 22	12.	GEAR	2.760
H 22	13.	WASHER	2.760
	14.	BOLT	N.S.
N 25	15.	SCREW	10.150
	16.	NUT	N.S.
	17.	Part of 2.760 MOTOR ASM	N.S.
H 22	18.	WORM	2.760



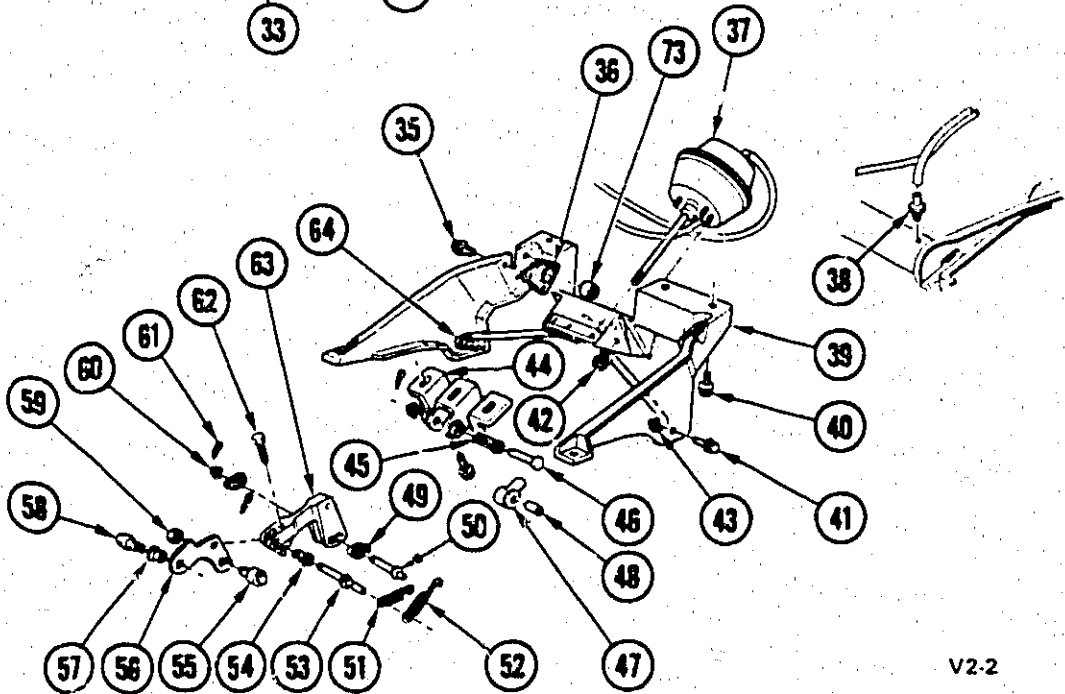
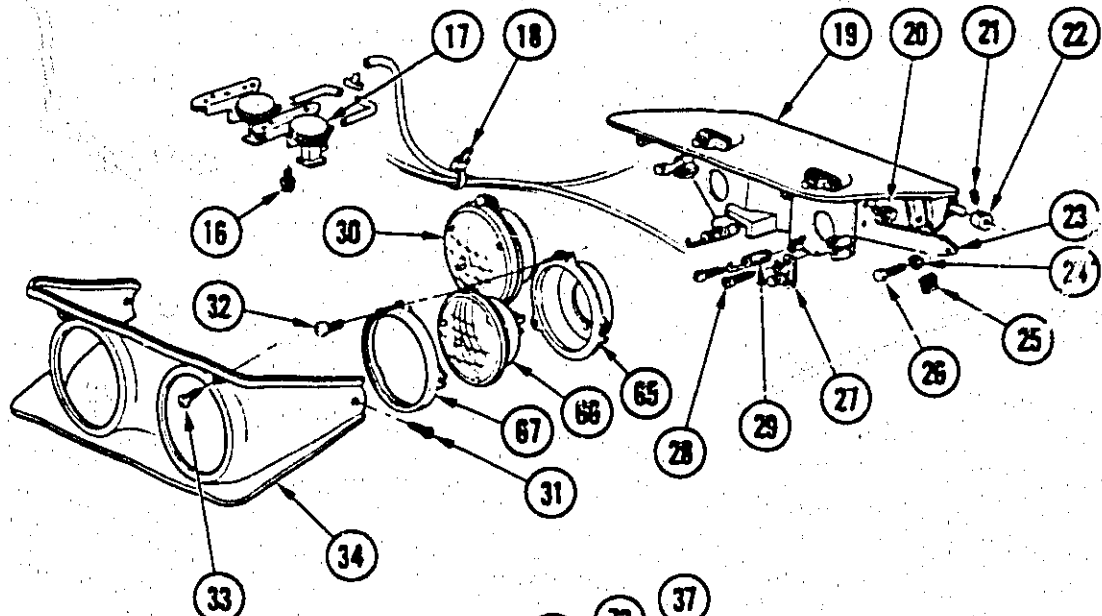
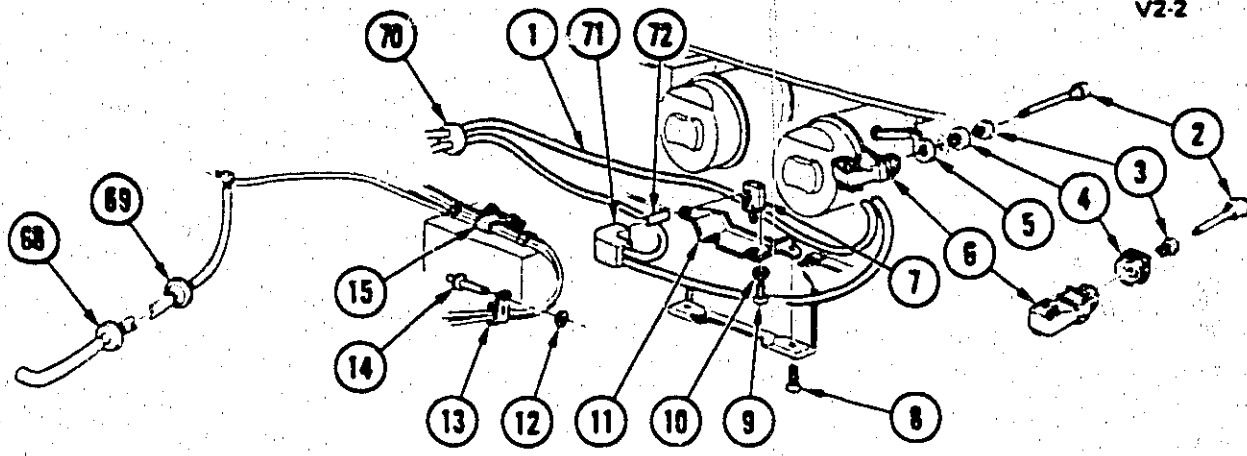
V2-7

V2-7

1964-67 'Y' FRONT LAMPS

H 23	1. HOUSING, Headlamp	2.770	19. SCREW (#8-18 x 1/2")	8.977	
	2. SCREW (5/16"-18 x 3/4")	8.900	20. NUT, "J" (#8-18)	8.921	
	3. SCREW (1/4"-20 x 5/8")	8.900	H 21	21. CAPSULE, Headlamp	2.725
	WASHER (1/4")	8.931	H 21	22. BEZEL ASM	2.728
H 23	4. SPACER	2.770	H 22	23. MOTOR ASM	2.760
H 22	5. SUPPORT	2.765		24. BOLT (5/16"-18 x 1")	8.900
	6. SCREW, Set (1/4"-20 x 1/2")	8.975		25. SCREW (#6-32 x 1")	8.977
H 22	7. BEARING ASM	2.765	N 25	26. GROMMET, W/Spacer	10.152
H 23	8. SEAL, Felt	2.775		27. SCREW (#10-24 x 1")	8.900
H 23	9. RETAINER	2.775		28. SCREW (#10-24 x 3/8")	8.900
H 22	10. WASHER	2.765		29. WASHER (#10)	8.932
H 23	11. END ASM, Outer	2.770		30. RETAINER, Spring (5/16")	8.934
H 23	12. INSULATOR	2.770	H 22	31. RETAINER	2.760
H 22	13. SPRING, Headlamp Adjusting	2.737	H 22	32. SWITCH ASM	2.765
	14. SCREW (#8-32 x 1/2")	8.977	H 22	33. SUPPORT, Inner	2.765
H 22	15. PIVOT ASM, Outer	2.765	H 23	34. SCREW	2.775
H 22	16. PIVOT ASM, Inner	2.765	H 23	35. STOP	2.775
	17. SCREW (#32 x 1/2")	8.977	H 22	36. BUSHING	2.765
	18. BRACKET ASM	N.S.	H 22	37. STUD	2.765
			H 23	38. END ASM, Inner	2.770

V2-2

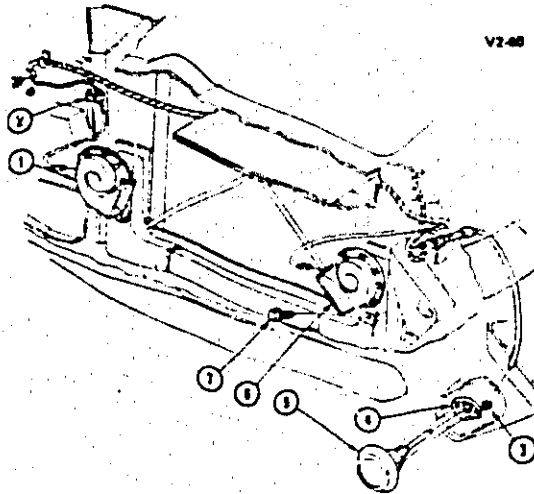


V2-2

1968-82 'Y' VACUUM OPERATED HEADLAMPS

1968-82 'Y' VACUUM OPERATED HEADLAMPS

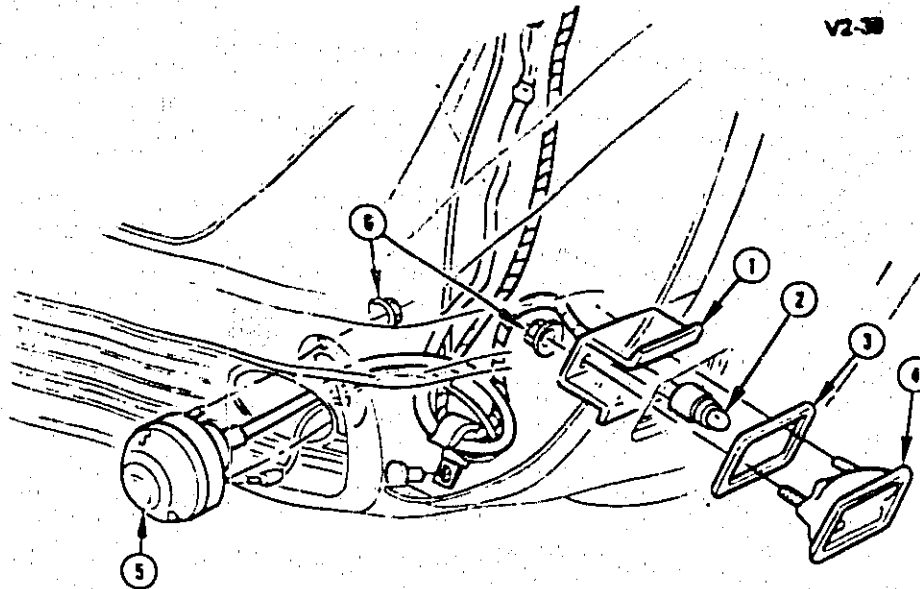
	1.	8.962	HOSE ASM, Hdip Vac (5/32"-7/32"-5/16")		H 22 36.	2.765	BEARING, Opening Hsg	362995
	2.	N.S.	ROD, W/Knob (1966-6)		H 22 37.	2.760	ACTUATOR, Cont Dr-LH	5638541
H 15		2.486	ROD, W/Knob (1968-71)	3961512	H 22	2.760	ACTUATOR, Cont Dr-RH	5638542
H 15		2.486	ROD, W/Knob (1972-76)	3986884		38.	N.S. FITTING, Vac Hose	
H 15		2.486	ROD, W/Knob (1977)	3961512	H 22 39.	2.765	SUPPORT, Hdip Open Actuator-LH (1968-74)	6258533
H 15		2.486	ROD, W/Knob (1978-80)	489098	H 22	2.765	SUPPORT, Hdip Open Actuator-RH (1968-74)	6258534
H 15		2.486	ROD, W/Knob (1981-82)	14032060	H 22	2.765	SUPPORT, Hdip Open Actuator-LH (1975-82)	347889
H 15	3.	2.487	NUT, Lgt Sw Rod	3916710	H 22	2.765	SUPPORT, Hdip Open Actuator-RH (1975-82)	347890
H 15	4.	2.487	BEZEL, Lgt Sw (1968-77)	3951226		40.	N.S. SCREW, Hdip Opng Actuator Hsg Supt	
H 15		2.487	BEZEL, Lgt Sw (1978-82)	473225	H 22	2.765	SCREW (5/16"-18 x 13/16")	
H 15	5.	2.485	STRAP, Lgt Sw Grd (1968-77)	3928779		42.	8.917 NUT (5/16"-18)	
H 15	6.	2.485	SWITCH, Snap-On Term (6 Volts)(1953-55)	1995041	H 22 43.	2.765	ROD, Actr Supt Outboard-LH	3926353
H 15		2.485	SWITCH (12 Volt)(1955-57)	1995082	H 22	2.765	ROD, Actr Supt Outboard-RH	3926354
H 15		2.485	SWITCH (1958-63)	1995096	H 22 44.	2.765	BRACKET, Hsg Actuator	3922499
H 15		2.485	SWITCH (1964-67)	1995179	H 22 45.	2.765	BUSHING, Hdip Actr Link (1/4" OL)	3915898
H 15		2.485	SWITCH (1968-77)	1995191		46.	2.765 PIN, Hsg Actuator Link Clevis Pivot (Exc Grooves)	3927676
H 15		2.485	SWITCH (1978-82)	1995215	H 22 47.	2.765	ROD, Actr Link Clv	3958887
H 22	7.	2.760	VALVE, Actr	5638317	H 22 48.	2.765	SLEEVE, Hdip Actr Rr Link	3922498
	8.	8.977	SCREW (#8-18 x 1")		H 22 49.	2.755	INSERT, Hsg Actr Rr Link	3922497
	9.	8.977	SCREW (#6-20 x 1/2")		H 22 50.	2.765	PIN, Hsg Actr Rr Link (2 1/2" OL)	3927672
H 22	10.	8.929	WASHER (5/32" x 3/8")		H 22 51.	2.765	SPRING, Hsg Actr Link	3926434
H 22	11.	2.755	BRACKET, Acc Door Manual Sw Mtg (1969-77)	3958714	H 22 52.	2.760	SPRING, Housing	3935516
	12.	8.929	WASHER, Hdip Hose Clip		H 22 53.	2.765	PIN, Hdip Hsg Actr Link Clevis (Grooved)	3926433
	13.	N.S.	CLIP, Attach Hdip Vac Hose		H 22 54.	2.765	BUSHING, Hsg Actr Link (Use Item #45 Cut to Length)	
	14.	N.S.	RIVET, Hdip Hose Clip (1963-75)		H 22 55.	2.755	SWITCH, Cr Opg Warning (1969-77)	3951239
N 25	15.	10.155	CLIP, Hdip WSWA & Vapor Can Vac Hose (1974-76)	1488359	H 22 56.	2.765	LINK, Hsg Frt	3953034
N 25		10.155	CLIP, Hdip WSWA & Vapor Can Vac Hose (1977-81)	467306	H 22 57.	2.765	BUSHING, Hsg Actuator Link (1/4" OL)	3915898
	16.	8.906	SCREW (#10-24 x 1/2")		H 22 58.	2.765	SCREW, Hsg Actuator Link	3915899
H 22	17.	2.755	RELAY, Actuator	5638427		59.	8.916 NUT (3/8"-16)	
H 23	18.	8.965	STRAP, Wrg Hrn			60.	N.S. WASHER, Hdip Hsg Actr Link	
H 23	19.	2.770	HOUSING, Opening Cover-LH (1st Des)(1968)	3932935	H 22 62.	2.765	SCREW, Hsg Rr Link Adj (1969-77)	3918509
H 23		2.770	HOUSING, Opening Cover-RH (1st Des)(1968)	3932936	H 22	2.765	SCREW, Hsg Rr Link Adj (5/16"-18 x 2 1/2" Cad)(1978-82)	473239
H 23		2.770	HOUSING, Opening Cover-LH (2nd Des)(1968-82)	3938115	H 22 63.	2.765	LINK, Hsg Rr	461162
H 23		2.770	HOUSING, Opening Cover-RH (2nd Des)(1968-82)	3938116	H 22 64.	2.765	ROD ASM, Actr Supt Inr-LH	3926351
	20.	8.977	SCREW (1/4"-20 x 5/8")		H 22 65.	2.726	ROD ASM, Actr Supt Inr-RH	3926352
	21.	8.975	SCREW (1/4"-20 x 1/4")		H 21 66.	2.727	RING, Mounting	
H 22	22.	2.765	STOP, Hsg Brg Control	3926235	H 21	2.727	SEALED BEAM, Otr	5964600
H 23	23.	N.S.	STOP, Opg Cvr (1968-69)		H 22 67.	2.731	SEALED BEAM, Inr	5930832
H 23		2.775	STOP, Opg Cvr-LH (1970-82)	14018945	H 22 68.	2.760	RING, Retaining	5954892
H 23		2.775	STOP, Opg Cvr-RH (1970-82)	14018946	H 22 69.	2.760	FILTER, Air Chk Vlv Type	5638432
	24.	8.915	NUT, Hdip Opg Cover Hsg (1/4"-20)		H 22 70.	2.760	VALVE, Resv Check	3926296
	25.	8.921	NUT (#8)		H 22 71.	2.765	GROMMET (1963-66)	4910180
	26.	3.900	BOLT (1/4"-20 x 1")		H 22 72.	2.765	CONNECTOR, Vac Hose (1969-76)	3947949
H 22	27.	2.737	BRACKET, Hdip Adj Screw	5959752	H 22 73.	2.765	TERMINAL, Insert (1969-76)	3934265
	28.	8.977	SCREW, Hdip Adj Spring (#8-32 x 1/2")				BEARING, Opg Hsg (Less Retainer)	3915687
H 22	29.	2.737	SPRING, Beam Adj	5949989				
H 21	30.	2.725	CAPSULE, Headlamp					
	31.	8.977	SCREW (#8-18 x 5/8")					
H 22	32.	2.736	SCREW, Hdip Ret Rg (#8-18)	5966249				
	33.	8.977	SCREW (#8-32 x 3/8")					
H 21	34.	2.728	BEZEL, Hdip Rim-LH	331817				
H 21		2.728	BEZEL, Hdip Rim-RH	331818				
	35.	8.977	SCREW, Hdip Opng Actuator Hsg Supt (5/16"-18 x 5/8")					



V2-40

1963-67 'Y' FRONT PARKING LAMPS

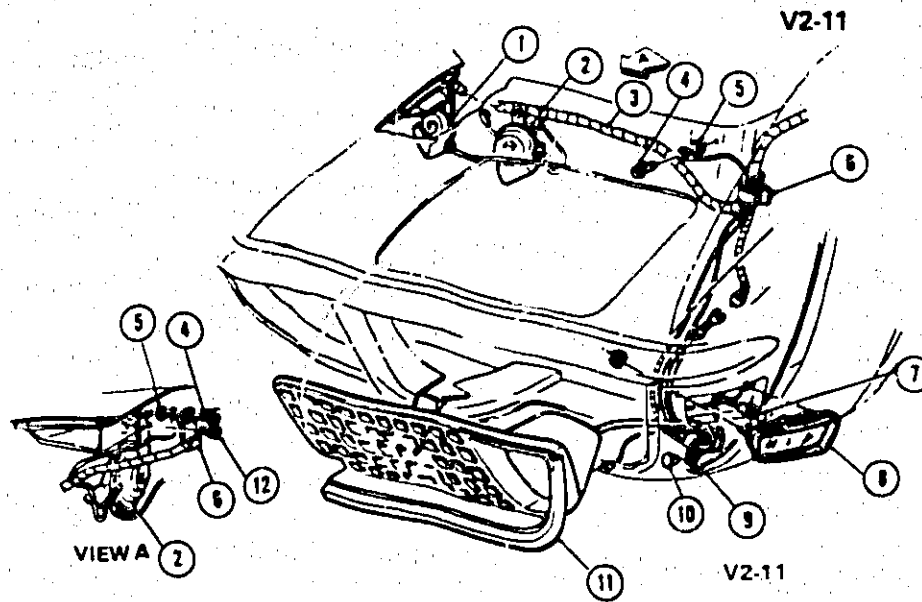
H 23	1. HORN, High Note (A)	2.810
H 17	2. CLIP, Special	2.559
	3. NUT, Hex (1/8'')	8.915
H 19	4. SUPPORT	2.587
H 18	5. LAMP	2.585
H 23	6. HORN, Low Note (F)	2.810
	7. BOLT, Hex (5/16''-18 x 1/2'')	N.S.



V2-39

1968-69 'Y' PARKING AND SIDE MARKER LAMPS

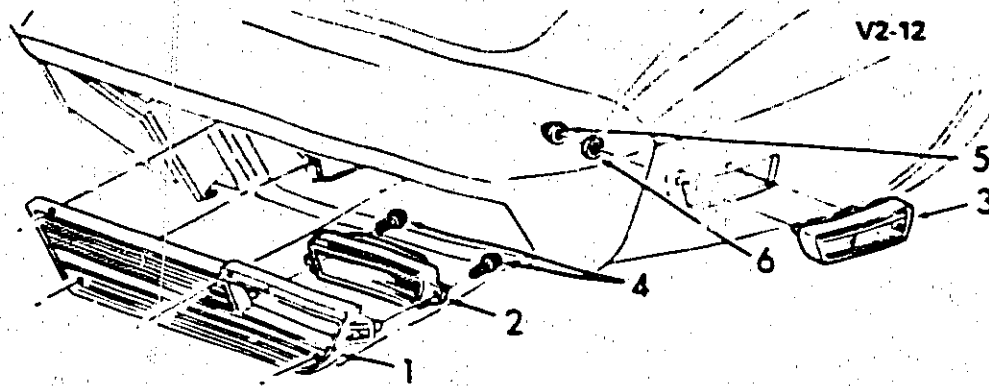
1.	N.S.	BRACKET, Frt Fdr & Rr Otr Si Marker Lp		3.	N.S.	GASKET, Si Mkr Lamp	
2.	8.991	BULB, #194		H 17	4.	2.575	LAMP, Frt Fdr Si Mkr
				H 18	5.	2.585	LAMP, Parking
					6.	8.921	NUT, Park Lp Retaining
							911045
							916765



V2-11

1970-72 'Y' PARKING & SIDE MARKER LAMPS

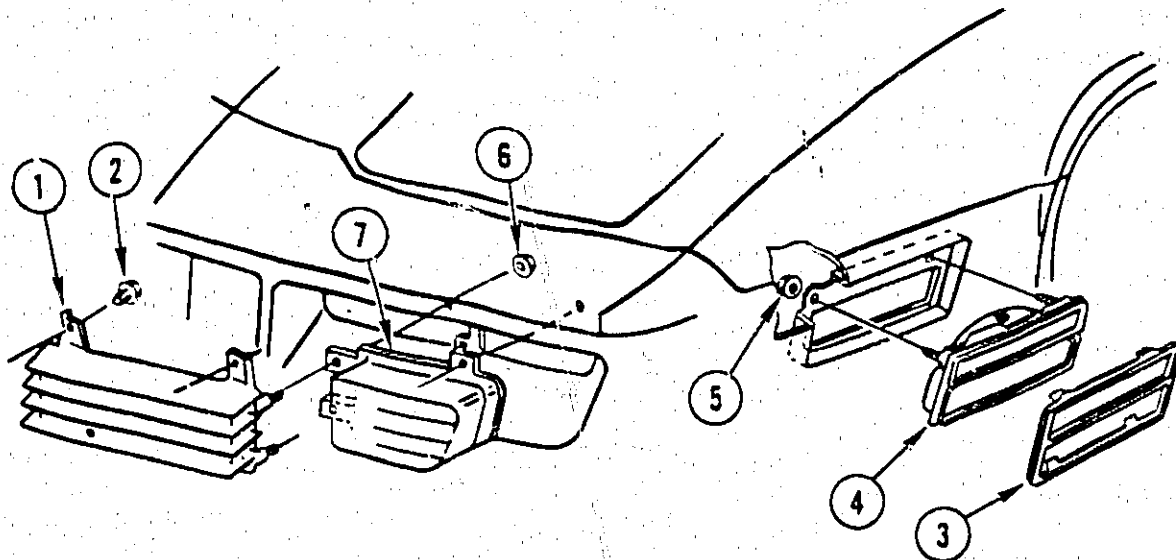
H 23	1.	HORN ASM, Low Note	2.810	H 17	8.	LAMP ASM, Side Marker	2.575
H 23	2.	HORN ASM, High Note	2.810	H 17	9.	CLIP	2.559
H 14	3.	HARNFSS ASM	2.480		10.	RIVET	8.967
	4.	SCREW (1/4"-14 x 5/8")	8.977	H 19	11.	HOUSING ASM	2.586
	5.	WASHER, Lock (1/4")	8.932	H 19		GASKET	2.590
H 17	6.	CLIP	2.559	H 19		LENS ASM	2.589
	7.	BULB (#194)	8.991		12.	BOLT ASM, (5/16"-18 x 1/2")	8.900



V2-12

1973-79 'Y' PARKING & SIDE MARKER LAMPS

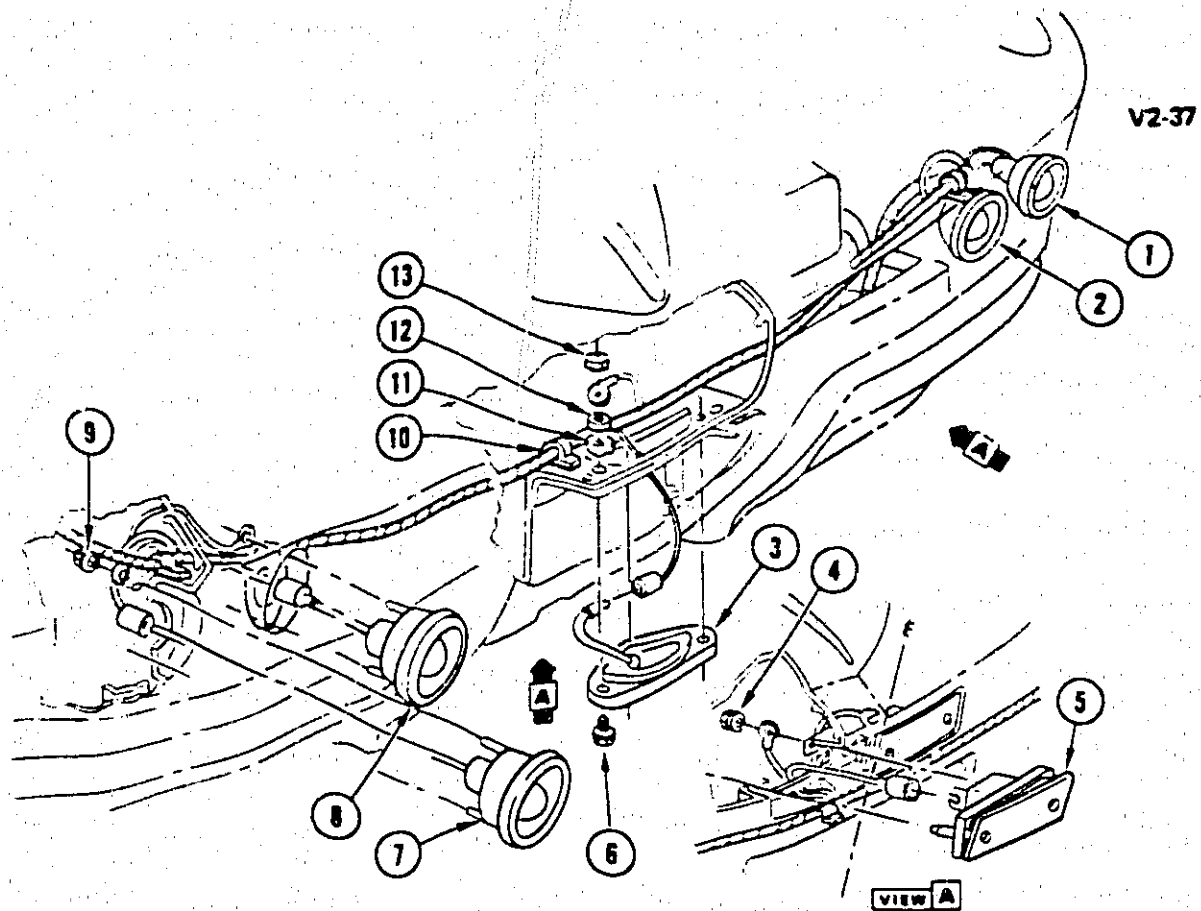
E 21	1. GRILLE, Outer	1.266	4. SCREW ASM	8.977
H 18	2. LAMP ASM, Parking	2.585	5. NUT	8.921
H 17	3. LAMP ASM, Marker	2.575	6. WASHER	8.931



V2-25

1980-82 'Y' PARKING & SIDE MARKER LAMPS

E 21	1.	1.266	GRILLE ASM, Rad Otr-LH	14011879	H 18	2.585	LAMP ASM, Cornering-RH	914736
E 21		1.266	GRILLE ASM, Rad Otr-RH	14011880		5.	8.921	NUT, Spring, Self Tapping (1/4")
	2.	8.977	SCREW, Tap (M4.2 x 1.41 x 20)			6.	8.915	NUT (#10-24)
H 19	3.	2.586	ORNAMENT, Cornering-LH	5936617	H 18	7.	2.585	LAMP ASM, Park & Dir Sig-LH
H 19		2.586	ORNAMENT, Cornering-RH	5936618				914559
H 18	4.	2.585	LAMP ASM, Cornering-LH	914735	H 18	2.585	LAMP ASM, Park & Dir Sig-RH	914560

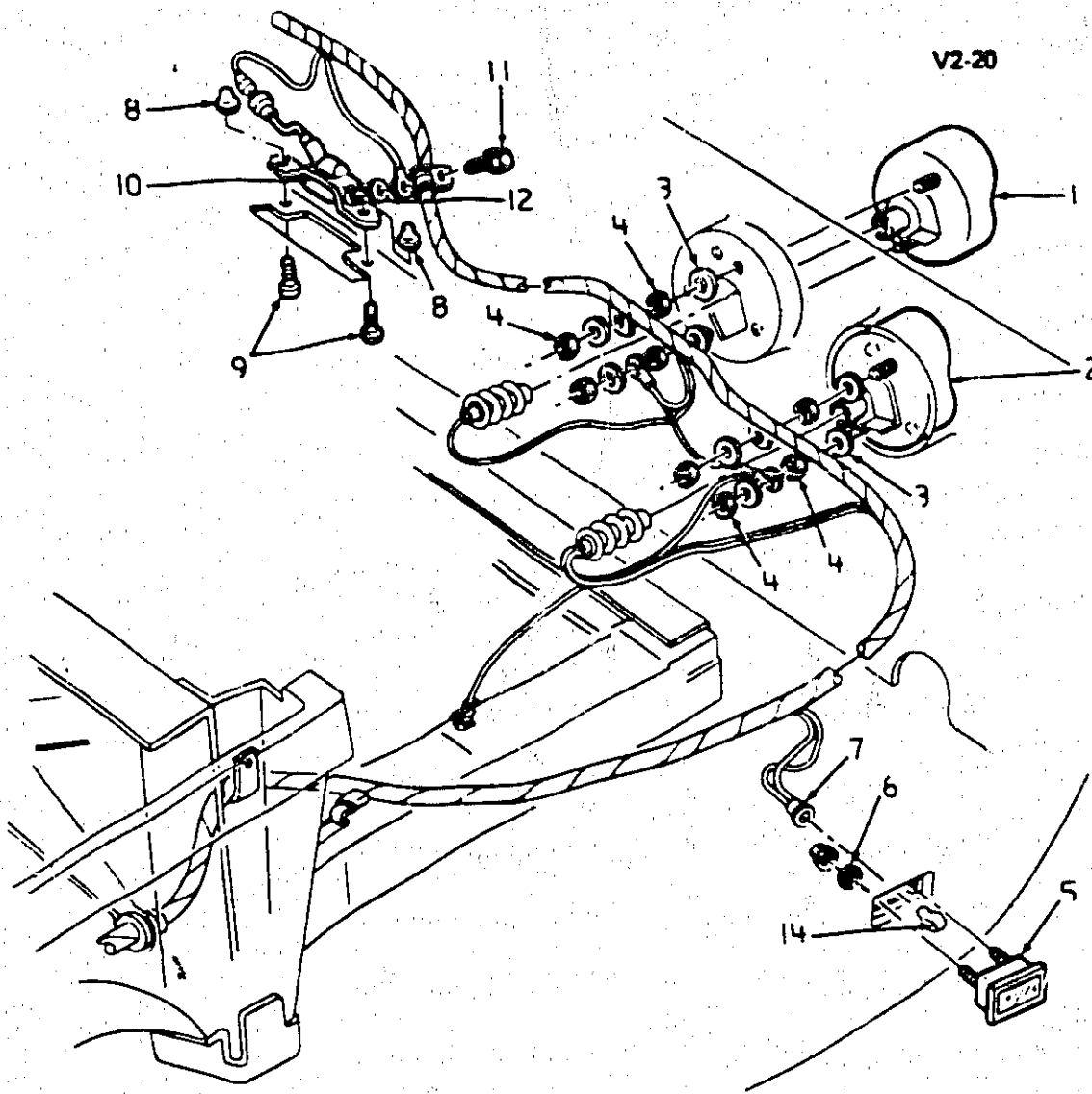


V2-37

1963-67 'Y' REAR LAMPS

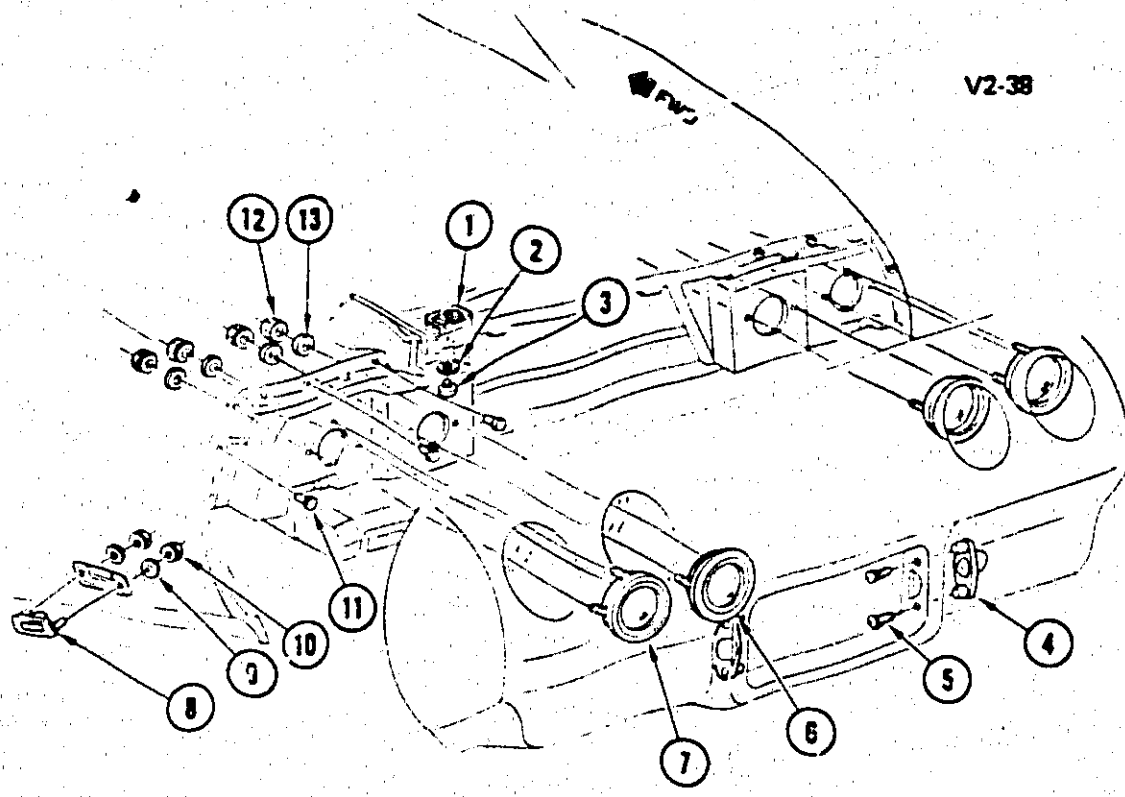
H 19	1.	2.679	LAMP, w/ Dir Sig, Otr-RH	910554
H 19	2.	2.679	LAMP, w/ Dir Sig, Inr-LH	910558
H 21	3.	2.700	LAMP, Rr License w/Bulb	898005
	4.	8.921	NUT	
	5.	N.S.	LAMP, Back-Up, LH(*1)	
		N.S.	LAMP, Back-Up, RH(*1)	
	6.	8.900	SCREW	
H 19	7.	2.679	LAMP, w/Dir Sig, Otr-LH	910553
H 19	8.	2.679	LAMP, w/Dir Sig, Inr-LH	910557
	9.	8.921	NUT	
	10.	8.950	CLIP	
	11.	8.928	WASHER	
	12.	8.927	WASHER	
	13.	8.915	NUT	

NOTE 1: Removed from service, no longer available.



1968-73 'Y' REAR LAMPS

H 20	1. LAMP ASM, Back Up	2.697			
H 20	2. LAMP, Tail Stop & Dir Signal (Serviced by Components)	2.697	H 17	5. LAMP ASM, Side Marker	2.575
H 20	GASKET, Tail Lamp Lens	2.684		6. WASHER (5/16")	8.929
H 19	GASKET, Tail Lamp	2.660		7. NUT (1/4")	8.921
H 20	HOUSING ASM, Tail & Stop Lamp	2.680		8. PLUG (5/16")	8.970
H 20	SCREW (#8-32 x 3/4")	8.913	H 21	9. SCREW (#8-18 x 5/8")	8.977
H 20	LENS, Tail & Stop W/Dir Signal	2.682		10. LAMP ASM, Lic Plate	2.700
N 22	3. WASHER (9/32")	8.143		11. BOLT (#10-24 x 1/2")	8.900
				12. WASHER (#10)	8.932
				13. BULB, (#168 12V 3CP)	8.991



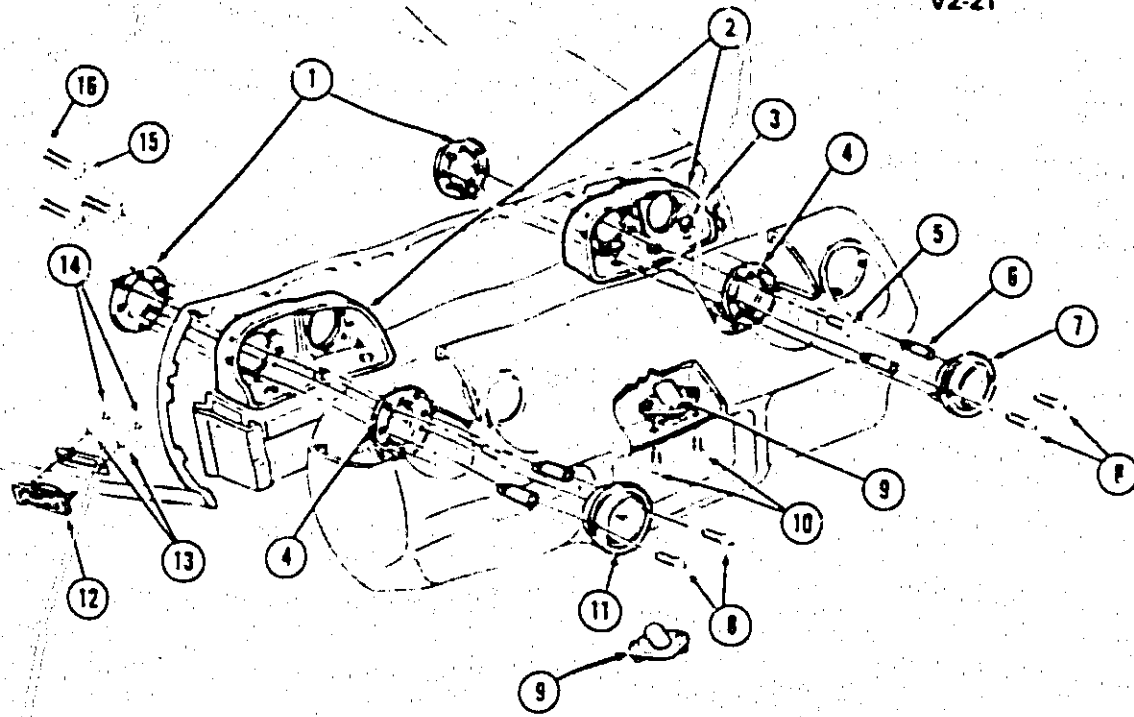
V2-38

V2-38

1974 'Y' REAR LAMPS

H 20	1.	2.680	PANEL, Tail Lamp Mt-LH	345417
H 20		2.680	PANEL, TAIL Lamp Mt-RH	345418
	2.	8.929	WASHER, Flat (5/16")	
	3.	8.977	SCREW, Tap (1/4"-20 X 3/4")	
H 21	4.	2.700	LAMP, Lic Plate	899794
	5.	8.977	SCREW, Ov Hd C/R Style 1 (M4.2 x 1.41 x 16)	
H 20	6.	2.697	LAMP, Backing	897169
H 19	7.	2.679	LAMP, Tail & Stop	897168
H 17	8.	2.575	LAMP, Rr Qtr & Si Mkr-LH	362957
H 17		2.575	LAMP, Rr Qtr & Si Mkr-RH	362958
	9.	8.929	WASHER (15/16" X 3/4")	
H 17	10.	2.575	NUT, Si Mkr Lp Ret (Self-Thread for .330 Stud)	8797130
	11.	8.967	RIVET, Dome Head	
	12.	N.S.	NUT, Hex (1/4"-20)	
N 22	13.	8.143	WASHER (9/32" X 1 1/8")	3704579

V2-21

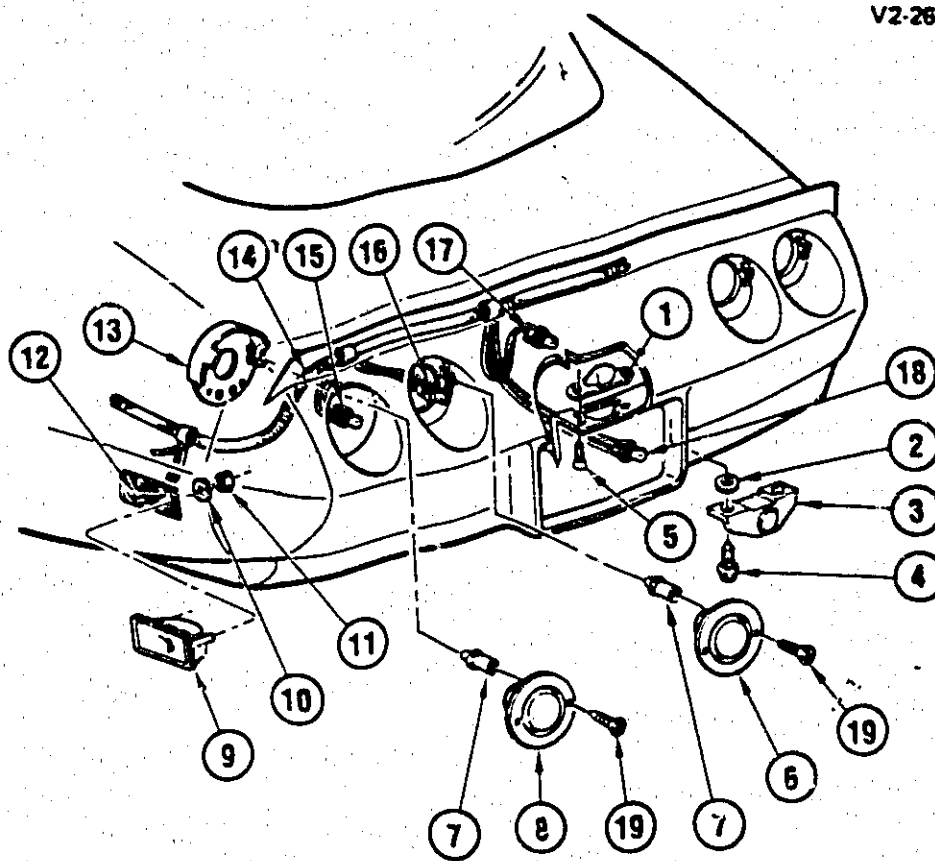


V2-21

1975-79 'Y' REAR LAMPS-TAIL, LICENSE & SIDE MARKER

H 19	1. RETAINER, Tail & Stop Lamp Mtg Pnl	2.860
H 20	2. PANEL, Tail Lamp Mtg	2.680
	3. SCREW (1/4"-20 x 7/8")	8.977
H 19	4. REINFORCEMENT, Tail & Stop Lamp Mtg Pnl	2.662
	5. BOLT (1/4"-20 x 1")	8.900
F 19	6. NUT, Tail & Stop Lamp Mtg Anchor	2.660
H 20	7. LAMP ASM, Back Up	2.697
	8. SCREW (#8-18 x 2 1/4")	8.977
H 21	9. LAMP ASM, Rr License	2.700
	10. SCREW (#8-18 x 1/2")	8.977
H 19	11. LAMP ASM, Tail & Stop	2.679
H 17	12. LAMP ASM, Rear Quarter Side Marker	2.575
	13. WASHER (5/16" x 47/64" x 1/16")	8.929
	14. NUT (1/4")	8.921
	15. WASHER (1/4")	8.929
	16. SCREW (1/4"-20 x 3/4")	8.977

V2-26

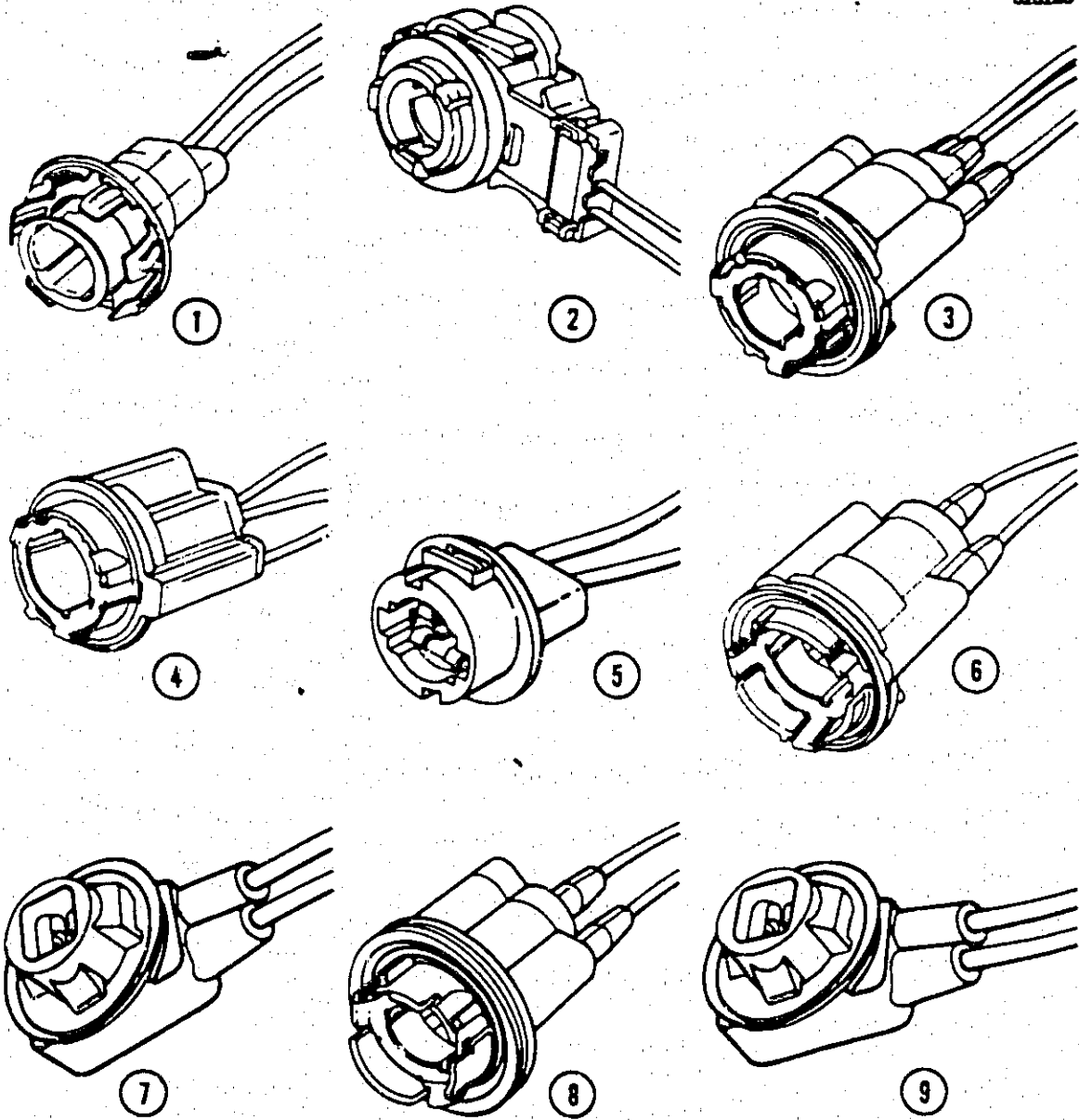


V2-26

1980-82 'Y' REAR LAMPS-TAIL, LICENSE & SIDE MARKER

H 21	1.	2.700	LAMP ASM, Lic Plt	912116
	2.	8.929	WASHER, Flat (M8 x 4.5)	
N 25	3.	9.988	LAMP ASM, Spare Tire (1980-81)(2.700)	913668
N 25		9.988	LAMP ASM, Spare Tire (1982)(2.700)	912390
	4.	8.977	SCREW, Hex W/Flat Wa Tap (M4.2 x 1.41 x 16)	
	5.	N.S.	SCREW	
H 20	6.	2.697	LAMP ASM, Back Up	914037
H 19	7.	2.660	NUT, Rr Lp Mt Anchor	347923
H 19	8.	2.679	LAMP ASM, Tail & Stop	914031
H 17	9.	2.575	LAMP ASM, Rr Qtr Side-LH	362957
H 17		2.575	LAMP ASM, Rr Qtr Side-RH	362958
	10.	8.929	WASHER, Flat (11/32" ID 11/16" OD 1/16" Thk)	
H 17	11.	2.575	NUT, Side Mkr Lp Ret	8797130
H 17	12.	2.575	SOCKET, W/Cable, Si Mkr Lp	6298886
		8.991	BULB (#168)	9425542
H 19	13.	2.660	RETAINER, Rr Lp Mt Pnl	14011849
N 28	14.	13.090	HARNES, Body Wiring (See Catlog)	
H 20	15.	2.694	SOCKET, Rear Lp (2.596)	12013813
		8.991	BULB, Rear Lp (#2057)	9438848
H 20	16.	2.697	SOCKET, W/Cable, B/U Lp (2.596)	8909518
		8.991	BULB, B/U Lp (#1156)	9417866
H 21	17.	2.714	SOCKET, Lic Plt Lp	8918527
		8.991	BULB (#168)	9425542
N 25	18.	9.988	SOCKET, Spare Tire (2.714)	8918527
		8.991	BULB (#168)(1980)	9425542
		8.991	BULB (#194)(1981-82)	9421330
	19.	8.977	SCREW, Pan Hd Torx C/R Tap (M4.2 x 1.41 x 60)	

GM02-050
020283



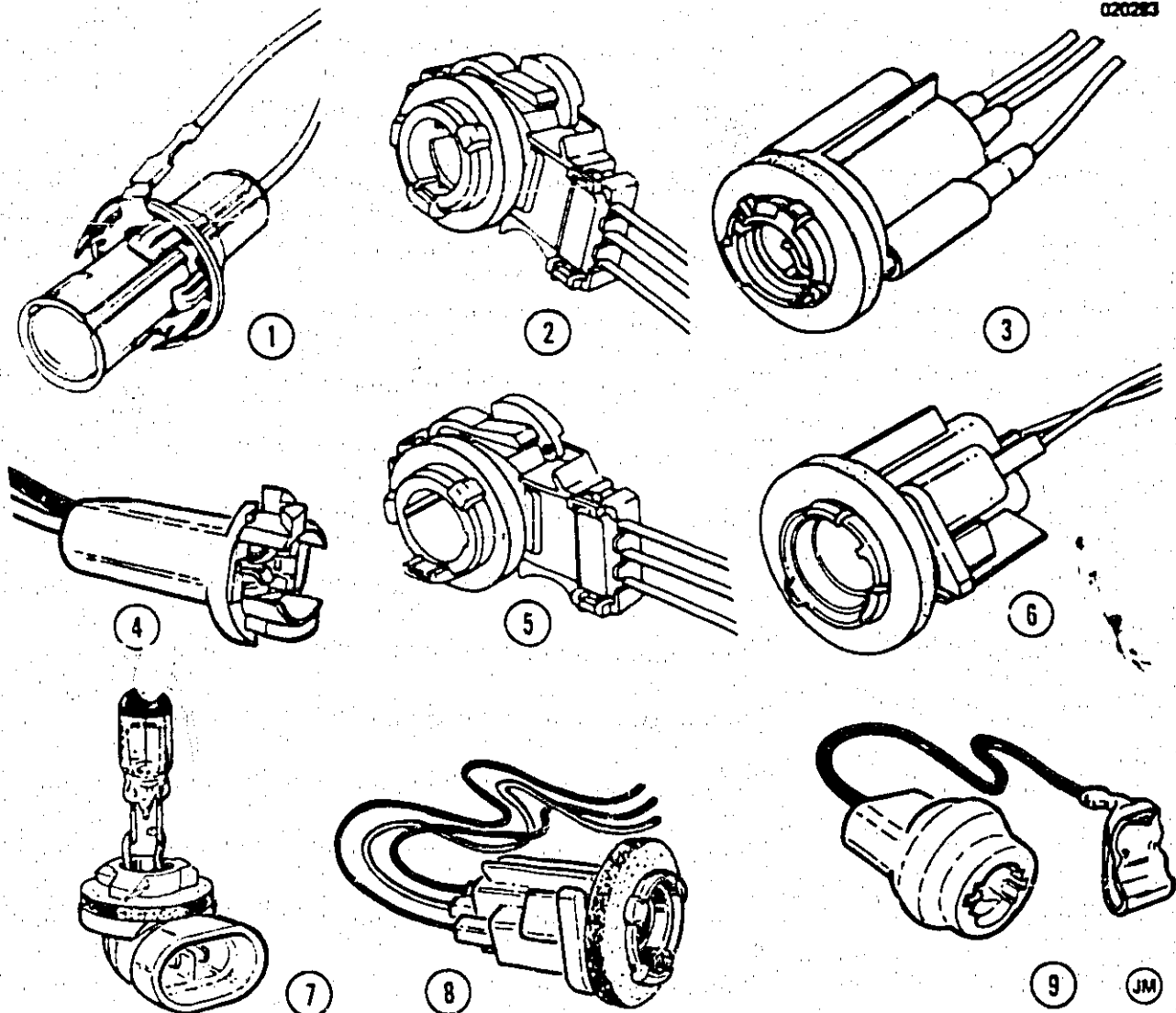
GM02-050

1982 G.M. EXTERIOR LAMP SOCKETS

H 17	1.	2.575	SOCKET	8912750
H 20	2.	2.697	SOCKET	12003758
H 19	3.	2.596	SOCKET	8914823
H 20	4.	2.694	SOCKET	8909517
H 17	5.	2.575	SOCKET	8901283
H 19	6.	2.596	SOCKET	8909518
H 21	7.	2.714	SOCKET	12001470
H 20	8.	2.697	SOCKET	12003878
H 17	9.	2.575	SOCKET	6298886

NOTE 1: Refer to Master Parts Catalog by Part Number for Socket Usages.

GM02-051
020283



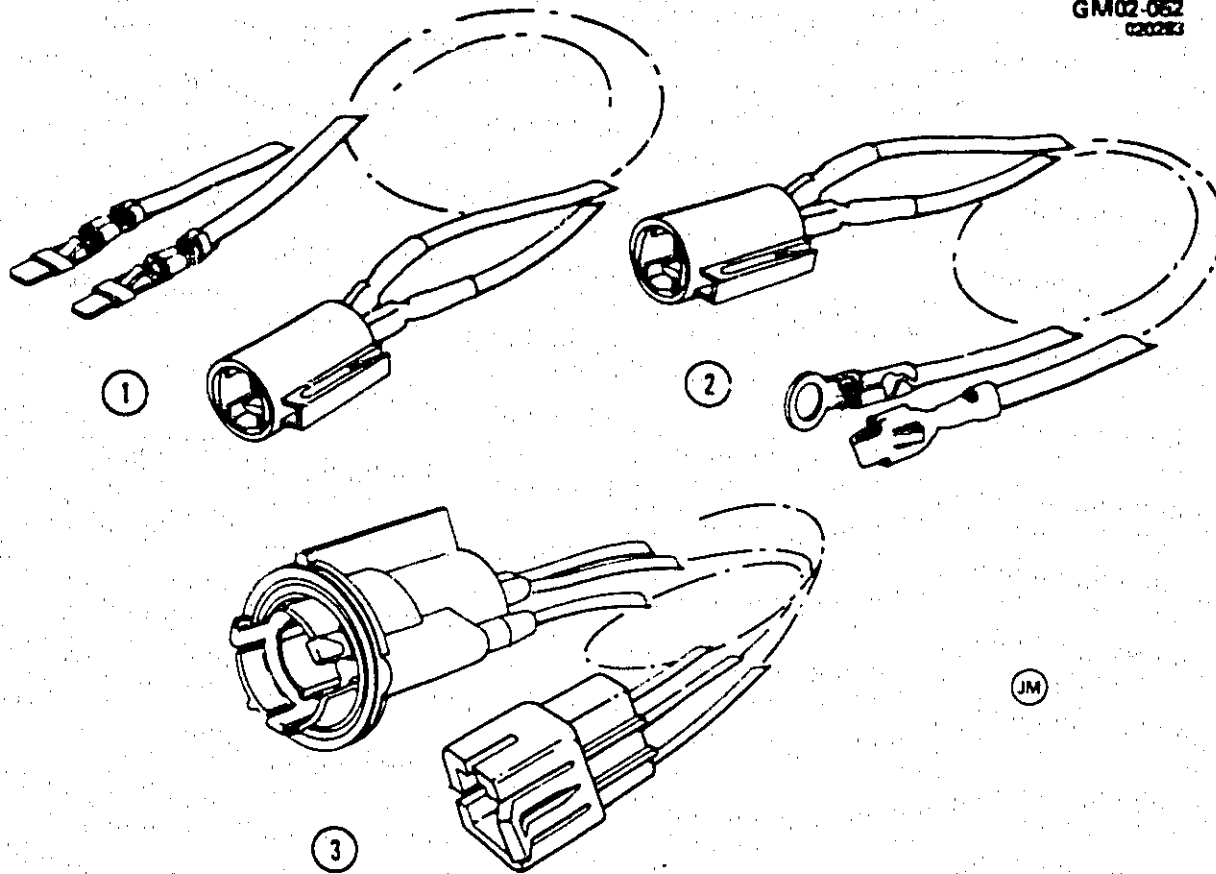
GM02-051

1982 G.M. EXTERIOR LAMP SOCKETS

H 21	1.	2.714	SOCKET	8918527
H 20	2.	2.694	SOCKET	12003757
H 19	3.	2.596	SOCKET	12013813
H 17	4.	2.575	SOCKET	12037105
H 20	5.	2.694	SOCKET	12003759
H 20	6.	2.697	SOCKET	12027133
H 21	7.	2.727	SOCKET	11507056
H 19	8.	2.596	SOCKET	12000555
H 17	9.	2.575	SOCKET	694824

NOTE 1: Refer to Master Parts Catalog by Part Number for Socket Usages.

GM02-052
020283



GM02-052

1982 G.M. EXTERIOR LAMP SOCKETS

H 17	1.	2.575	SOCKET	5970874
H 17	2.	2.575	SOCKET	5933594
H 20	3.	2.694	SOCKET	8914822
H 19	4.	2.596	SOCKET	11507057

NOTE 1: Refer to Master Parts Catalog by Part Number for Socket Usages.

MICROFICHE INDEX
GROUPS 0.000 THRU 2.000 & 21.000
FICHE 1 OF 6

GROUP DESCRIPTION	STARTING GRID LOCATION	
	PARTS	ILLUSTRATIONS
- INTRODUCTION	A-6	J-2
- GENERAL INFORMATION	A-2	J-2
- ALPHABETICAL INDEX	C-11	N.A.
- INDEX FOR ADDITIONAL INFOFIMATION	A-5	N.A.
0.000 ENGINE - CLUTCH	D-12	J-6
1.000 COOLING - GRILLE - OIL SYSTEM	E-11	K-15
2.000 CHASSIS WIRING - LAMPS	G-13	L-7
21.000 ACCESSORY REFERENCE LIST	D-9	N.A.
- OUT OF FICHE CALLS	N.A.	N-2

N-1

OUT OF

FICHE

CALLS

3.265 GUARD-MANIFOLD-PLUG-SHIELD-STUD, Engine Fuel Intake Manifold

NOTE: EXHAUST MANIFOLD IN GROUP 3 601

NOTE 1: IT MAY BE NECESSARY TO PLUG WATER BY-PASS HOLE IN FRONT OF MANIFOLD WITH A 1/2" X 14 PIPE PLUG. ALSO, THIS PART HAS A CARB. PAD WITH PORTS AND STUD PATTERN FOR HOLLEY CARB. WHEN USED IN VEHICLES PRIOR TO 1964 THE CARTER AFB CARB. CAN BE INSTALLED BY DRILLING AN EXTRA HOLE IN THE OPPOSITE CORNERS OF THE CARB. THROTTLE BODY FLANGE TO MATCH THE STUD HOLES IN MANIFOLD CARB. PAD. USE CARB. GASKET 3849825.

NOTE 2: IT MAY BE NECESSARY TO PLUG WATER TEMPERATURE SWITCH HOLE WITH A 1/2"-14 PIPE PLUG.

62-65	Y (327) W/H/PER.	3946830	1	2.95	GUARD, MANIF OIL SPLASH
68-68	Y (327) (EXC. SP. H/PER.)	3946830	1	2.95	GUARD, MANIF OIL SPLASH
69-72	Y (350) (EXC. SP. H/PER.)	3946830	1	2.95	GUARD, MANIF OIL SPLASH
73-81	Y (305, 350)	6271071	1	3.40	GUARD, MANIF OIL SPLASH
73-74	Y (454)	346243	1	5.55	GUARD, MANIF OIL SPLASH
82	Y	14037628	1	3.40	GUARD, MANIF OIL SPLASH
62-65	Y W/SP. H/PER.	3852570	1	266.00	MANIFOLD (NOTE 1)
65-69	Y (396, 427) W/SP. H/PER., ALUM CASE	3933163	1	360.00	MANIFOLD (CLOSED PLENUM, HOLLY CARB)
66-67	Y (327) W/SP. H/PER.	3893594	1	355.00	MANIFOLD
68	Y (327)	3931575	1	120.00	MANIFOLD (ROCHESTER) (NOTE 2)
69-70	Y (350) W/SP. H/PER.	3972114	1	336.00	MANIFOLD
69	Y (350) W/4BC (EXC. SP. H/PER.)	3987361	1	127.00	MANIFOLD
70	Y (350) (EXC. SP. H/PER.)	3987361	1	127.00	MANIFOLD
71-72	Y (350) (EXC. SP. H/PER.)	343765	1	170.00	MANIFOLD
73-74	Y (350)	340260	1	130.00	MANIFOLD
73-74	Y (454)	336788	1	199.00	MANIFOLD
75-78	Y (350)	14037617	1	142.00	MANIFOLD (CAST IRON)
78-79	Y W/SP. H/PER.	14007377	1	254.00	MANIFOLD (ALUM)
79	Y (350) (EXC. SP. H/PER.)	14057062	1	142.00	MANIFOLD (CAST IRON)
80	Y (305, 350)	14057054	1	151.00	MANIFOLD
81	Y (350)	14033057	1	136.00	MANIFOLD
82	Y (5.7)	14044606	1	144.00	MANIFOLD
64	Y W/SP. H/PER. (EXC. C.A.C.)	445686	1	35	PLUG, MANIF VAC
69	Y (427) W/H.D., AL. CYL. AND CASE	3931093	1	19.80	SHIELD, HT INT MANIF
82	Y (5.7)	14037662	1	97	STUD, INT MANIF (9.171)

3.270 GASKET-GASKET KIT-SEALANT, Manifold to Cylinder Head

NOTE 1: KIT REQUIRES SILASTIC SEALER FOR INT MANIF FRT & RR SEALS.

NOTE 2: FOR R.H. INSTALLATION, 1 EXTRA GASKET REQUIRED-3711569.

57-62	Y W/F.I.	3788235	4	1.65	GASKET, INT MANIF TO ADAP
63-65	Y W/F.I.	3832280	4	1.50	GASKET, FUEL INJECTOR
55	Y (8 CYL.)	3711675	2	1.95	GASKET KIT, EXH (NOTE 2)
58	Y W/DUAL 4BC	3937600	1	5.85	GASKET KIT, INT
57-62	Y (8 CYL.) (EXC. F.I.)	3931600	1	5.85	GASKET KIT, INT
63-68	Y (283, 327) (EXC. F.I.)	3931600	1	5.85	GASKET KIT, INT
65-69	Y (396, 427) W/SP. H/PER.	3955527	1	8.15	GASKET KIT, INT
65-69	Y (396, 427) (EXC. SP. H/PER., H.D.)	6259379	1	6.40	GASKET KIT, INT
69-72	Y (350)	14038088	1	N.L.	GASKET KIT, INT
69	Y (427) W/H.D.	3955528	1	11.65	GASKET KIT, INT
70-72	Y (454) W/4BC (EXC. SP. H/PER.)	6259379	1	6.40	GASKET KIT, INT
71	Y (454) W/SP. H/PER.	3955527	1	8.15	GASKET KIT, INT
73	Y (350)	356801	1	N.L.	GASKET KIT, INT
73	Y (454)	6259316	1	6.40	GASKET KIT, INT
74	Y (350)	345195	1	N.L.	GASKET KIT, INT
74	Y (454)	6260996	1	6.40	GASKET KIT, INT
75	Y (350)	356801	1	N.L.	GASKET KIT, INT
76	Y (350) (EXC. SP. H/PER., CALIF)	14038088	1	N.L.	GASKET KIT, INT
76	Y (350) W/CALIF.	356801	1	N.L.	GASKET KIT, INT
78-80	Y (305, 350)	14038088	1	N.L.	GASKET KIT, INT
81	Y (350)	14034821	1	N.L.	GASKET KIT, INT (NOTE 1)
82	Y	14034932	1	19.15	GASKET KIT, INT
81-82	Y	1052366	AR	7.35	SEALANT, INT MANIF ENDS(8.800)

3.273 CLAMP-SLEEVE, Intake & Exhaust Manifold

53-55	Y (6 CYL.)	3835505	4	65	CLAMP, CTR (2" O.L.)
53-55	Y (6 CYL.)	3835506	3	50	SLEEVE, INT MANIF TO CYL HD (1 17/32 CLOSED X 3/8 WIDE)

3.275 BOLT-STUD, Intake & Exhaust Manifold

NOTE ALSO SEE GROUPS 3 288 CARB TO MANIFOLD, 3 613 MANIFOLD TO EXH PIPE, AND 8 981

55	Y (8 CYL)	3836646	12	81	BOLT, EXH MANIF (3/8-16 X 1 5/8 300M STEEL) (CIRCLE ON HEAD)
58-81	Y	3733134	AR	1 05	BOLT, AT CTR HOLES (3/8-16 X 2 27/32) (300M)
63	Y W/SP. H/PER	3733134	AR	1 05	BOLT, AT CTR HOLES (3/8-16 X 2 27/32) (300M)
64-81	Y	22505552	AR	1 40	BOLT, STUD(3/8-16 X 56 X 2.0 ZP 280M)
64-68	Y (283, 327, 427) W/A.C.	3841724	1	92	BOLT (3/8-16 X 3 11/16)(300M)
67-69	Y (427)	3909821	1	50	BOLT, EXH MANIF (3/8-16 X 1 3/16)
69	Y (427) W/AL. CYL AND CASE	3736035	8	77	BOLT, EXH MANIF AT CTR HOLES (3/8-16 X 1 1/4)
69	Y W/A.C. (EXC. H. PER 427)	3841724	1	92	BOLT (3/8-16 X 3 11/16)(300M)
70-75	Y (350) W/A.C.	3841724	1	92	BOLT (3/8-16 X 3 11/16)(300M)
70-77	Y (454)	3909821	AR	50	BOLT, EXH MANIF AT END HOLES
73	Y (454)	3736035	8	77	BOLT, EXH MANIF AT CTR HOLES (3/8-16 X 1 1/4)
74-79	Y (350)	3733130	1	91	BOLT, EXH MANIF, NO. 1 R.H. HOLE (3/8-16 X 2 1/4)
75-79	Y	454467	AR	79	BOLT, HEX (3/8-16 X 1-3/4 300M) (4.085)
75-82	Y	3736035	AR	77	BOLT, HEX (3/8-16 X 1 1/4)
76-79	Y	3841724	AR	92	BOLT (3/8-16 X 3 11/16)(300M)
53-71	Y	344996	AR	58	STUD, INT MANIF TO EXH MANIF (3/8-16 X 3 5/16)
53-71	Y	483543	AR	35	STUD, EXH MANIF ENDS TO HD, INT MANIF (3/8-16 X 2 3/16)
53-55	Y (6 CYL)	3835487	2	81	STUD, 1 END THREADED-OTHER USED TO LINE UP MANIF (3/8-16-16 29/32)
64-66	Y (283, 327, 427) W/A.C.	3932448	AR	1 30	STUD, EXH, RH FRT HOLE
65-66	Y (396, 427) W/P.S.	3774029	1	3 60	STUD (5/16-18 X 3 16-16 X 2 9/16)
67	Y (427)	3774029	1	3 60	STUD (5/16-13-3, 16-16 X 2 9/16)
67-69	Y (427) W/P.S.	3928905	1	3 65	STUD, EXH MANIF AT L.H. SI FRT HOLE (3/16-16-5, 16-18 X 25/32)
68	Y (427) W/A.C.	3928906	2	1 25	STUD, EXH, MANIF, FRT R.H.
69-70	Y (427) W/H.D., A.T., AL. CYL AND CASE	3928905	AR	3 65	STUD, 3 AND 4 HOLES L.H. SI
69-75	Y (427, 454) W/H/PER., 4BC, A.C.	3928906	2	1 25	STUD, EXH, MANIF, 1 AND 3, R.H., HOLE
70	Y (454) W/4BC (EXC. H.D.)	3928905	AR	3 65	STUD, R.H. INT MANIF, NO. 3 HOLE (3/8-16-5/16-18 X 2 1/4)
70-74	Y (454) W/P.S.	3928905	1	3 65	STUD, EXH, MANIF AT L.H. SI FRT HOLE (3/16-16-5/16-18 X 25/32)
70-76	Y W/A.C.	3932448	AR	1 30	STUD (3/8-16 X 4 3/32)
73-74	Y	344996	AR	58	STUD, INT MANIF TO EXH MANIF (3/8-16 X 3 5/16)
73-75	Y	483543	AR	35	STUD, EXH MANIF ENDS TO HD, INT MANIF (3/8-16 X 2 3/16)
76-79	Y (350)	3937247	LH	3 60	STUD, EXH MANIF, NO. 4 HOLE
77-82	Y	3932448	RH	1 30	STUD, EXH MANIF, NO. 1 HOLE
82	Y (57)	14037662	1	97	STUD, EXH MANIF(9.171)

3 288 STUD -WASHER, Carburetor to Manifold

NOTE: ALSO SEE GROUP 3 275.

53-72	Y	3731702	AR	73	STUD (LH SI FRT HOLE, ADAP, RH SI FRT, SPEED CRUISE CONT REG. MT BRKT.)
58-61	Y W/P.G.	3749170	1	1 10	STUD (5/16-18-24 X 2 5/32) (DRILLED FOR VACUUM TAKE-OFF)
62	Y (EXC. F.I.)	3749170	1	1 10	STUD (5/16-18-24 X 2 5/32) (DRILLED FOR VACUUM TAKE-OFF)
56	Y	3719427	2	35	WASHER, FRT. MTG. STUD (11/32 I.D. X 11/32 O.D.)

3.340 CABLE-PIN-SHAFT-WASHER, Fuel Injection Distributor

NOTE 1. THE 2ND DESIGN PART IS NO LONGER AVAILABLE.

57-83	Y (1ST DESIGN)	1585719	1	6 86	CABLE, F.M. DRIVE (W/O CASING) (6 21/64)
63-65	Y (3RD DESIGN)	6409698	1	16 10	CABLE, F.M. DRIVE (W/O CASING) (NOTE 1)
57-85	Y	1862218	1		PIN, DRIVE SHAFT DRIVEN GEAR (W/1110914-15-90-1022-63-64-70)
57-85	Y	6409648	1	48 20	SHAFT, F.M. PUMP FLEXIBLE W/CASING
57-84	Y	3947896	1	44	WASHER, DRIVE SHAFT DRIVEN GEAR (W/1110914-15-90-1022-63-64-70)

3.402 CLEANER, Carburetor

NOTE: WHEN USING CERTAIN CLEANERS ON NON-CLOSED VENT SYSTEMS, IT WILL BE NECESSARY TO PINCH SHUT CLOSED SYSTEM TUBE.

66-67	Y (427) W/H/PER. (EXC. A.I.R. 3/2BC)	6423907	1	95.00	CLEANER, W/SIL (CHROME)
67	Y W/3/2BC (EXC. A.I.R.)	6423757	1	189.00	CLEANER, W/SIL
68-69	Y (EXC. 3/2BC, H.D. 427, SP. H/PER. 350)	6423272	1	100.00	CLEANER, W/SIL
68-69	Y W/3/2BC	6423757	1	189.00	CLEANER, W/SIL
69-72	Y (350) W/SP. H/PER.	6423907	1	95.00	CLEANER, W/SIL (CHROME)
70-72	Y (350, 454) (EXC. SP. H/PER.)	6485887	1	100.00	CLEANER, W/SIL
71	Y (454) W/SP. H/PER.	6485239	1	99.25	CLEANER, W/SIL
73-74	Y	6457577	1	100.00	CLEANER, W/SIL
75	Y	8994027	1	104.00	CLEANER, W/SIL
75	Y W/K50	8995171	1	104.00	CLEANER, W/SIL
76	Y	8995185	1	149.00	CLEANER, W/SIL
77-78	Y (EXC. SP. H/PER.)	8995527	1	129.00	CLEANER, W/SIL
78	Y W/SP. H/PER.	8996220	1	148.00	CLEANER, W/SIL
79	Y	8996220	1	148.00	CLEANER, W/SIL
80	Y (305H)	8997422	1	184.00	CLEANER, W/SIL
80	Y (350) W/A.T. (MV4)	8997660	1	224.00	CLEANER
81	Y	25040289	1	290.00	CLEANER
82	Y	25040868	1	388.00	CLEANER

3.403 GASKET-NUT-STUD, Carburetor Air Cleaner and Silencer

NOTE 1: THIS IS A UNIVERSAL STUD THAT MUST BE CUT TO REQUIRED LENGTH WHEN SERVICING CERTAIN MODELS. IF THE STUD IS NOT CUT DOWN, DAMAGE TO THE HOOD PANEL OR CARBURETOR CAN RESULT WHEN THE HOOD IS CLOSED.

NOTE 2: IT MAY BE NECESSARY TO USE (2) 1/4"-20 NUTS AS SHOULDER ON SOME 1969-1977 MODELS.

64-65	Y W/SP./H/PER.	25511809	1	58	GASKET, A/CLNR AND SIL
68	Y (8 CYL.)	25511809	1	58	GASKET, A/CLNR AND SIL
67-69	Y (427) W/3/2BC	3899698	3	73	GASKET, TO CARB
67-69	Y W/H.D. (427)	25511809	1	58	GASKET, A/CLNR AND SIL
67-68	Y W/4BC (EXC. A.I.R.)	25511809	1	58	GASKET, A/CLNR AND SIL
70-71	Y (350, 454) (EXC. H.D.)	25511809	1	58	GASKET, A/CLNR AND SIL
72-81	Y	25511809	1	58	GASKET, A/CLNR AND SIL
75-79	Y	55957C	AR	59	NUT, WING(5/16-18)
76-79	Y	1385052	AR	31	NUT, WING(1/4-20)
82	Y	14067309	2	3.65	NUT, A/CLNR
64-82	Y	3785258	1	1.25	STUD (1/4-20 X 2) (NOTE 1,2)
82	Y	14037789	2	76	STUD, A/CLNR

3.417 BRACKET-COVER-DUCT-ELBOW-PIPE-PLATE-SEAL-STOVE- STUD, Air Cleaner Air Intake

82	Y	14033722	1	1.55	BRACKET, AIR INT DUCT FRT
78-80	Y	387135	1	6.90	COVER, CARB AIR HT STOVE
78-81	Y	388684	1	8.20	DUCT, AIR INT INR FLEX
76-77	Y	379974	1	17.50	DUCT, AIR INT
78-79	Y (EXC. SP. H/PER.)	388684	1	8.20	DUCT, AIR INT INR FLEX(TO RAD)
78-79	Y (EXC. SP. H/PER.)	379974	1	17.50	DUCT, AIR INT
78	Y W/SP. H/PER.	472712	1	7.50	DUCT, AIR INT INR FLEX
78	Y W/SP. H/PER.	472713	1	16.50	DUCT, AIR INT OTR
78	Y W/SP. H/PER.	14016116	1	11.95	DUCT, AIR INT CTR
79-81	Y	472712	1	7.50	DUCT, AIR INT INR FLEX(TO FDR)
79-81	Y	472713	1	16.50	DUCT, AIR INT OTR
79-81	Y	14016116	1	11.95	DUCT, AIR INT CTR
82	Y	14038288	1	1.95	DUCT, AIR INT FRT
78-82	Y	372583	1	6.75	ELBOW, AIR HT STOVE
78-82	Y	1280631	1	3.75	PIPE, HTD AIR(APPROX 1 1/2 DIA)
76-79	Y	3948832	1	2.95	PLATE, CARB AIR HT STOVE BASE
80	Y (350)	3948832	1	2.95	PLATE, CARB AIR HT STOVE BASE
73-75	Y	331848	1	17.05	SEAL, CARB AIR CONT VLV
73-75	Y	3955231	1	23.25	SEAL, A/CLNR TO HOOD
77-81	Y	14016180	1	3.95	SEAL, AIR DUCT
80-81	Y	14016159	2	7.40	SEAL, AIR INT CTR DUCT
82	Y	14045940	1	13.95	SEAL, AIR INT DUCT FRT
82	Y	14045992	2	3.75	SEAL, AIR INTAKE DUCT CTR
81	Y	14020887	1	8.05	STOVE, CARB AIR HTR INR
81	Y	14020888	1	17.90	STOVE, CARB AIR HTR OTR
82	Y	14045843	1	8.05	STOVE, ENG AIR HT OTR
82	Y	14045844	1	8.05	STOVE, ENG AIR HT INR
68-82	Y	3959544	4	30	STUD, INT MANIF OIL SPH GUARD

3.454 BRACKET-LEVER-RETAINER-SUPPORT, Accelerator Pedal Lever

68-89	Y (427) W/H.D.	3972827	1	6.95	BRACKET, CONT CABLE
68-89	Y W/4BC (EXC. H.D. 427, SP. H/PER. 350)	3992388	1	9.35	BRACKET, CONT CABLE
69-72	Y (350, 454) W/SP. H/PER.	3972627	1	6.95	BRACKET, CONT CABLE
70-72	Y (350, 454) (EXC. SP. H. PER.)	3992388	1	9.35	BRACKET, CONT CABLE
73	Y	3992388	1	9.35	BRACKET, CONT CABLE
77-82	Y	460826	1	4.85	BRACKET, PEDAL ROD
63-64	Y W/F.I. (1ST DESIGN)	7017242	1	24.80	LEVER, CONT (W/7017375)
64-65	Y (EXC. H/PER., 396)	3844175	1	2.80	LEVER, CONT ROD
77	Y	3929059	1	33	RETAINER, PEDAL TO LVR (9.787)
68	Y	3921618	1	1.30	SUPPORT, PEDAL ROD
69-82	Y	3972620	1	1.75	SUPPORT, PEDAL ROD
74	Y	340851	1	8.25	SUPPORT, CONT CABLE
75-80	Y	352279	1	4.95	SUPPORT, CONT CABLE
78-80	Y	468244	1	1.20	SUPPORT, CONT CABLE AND SPLG WIRE RR
81	Y (350)	14062608	LH	2.15	SUPPORT, CONT CABLE
82	Y	14038659	LH	4.95	SUPPORT, ACCEL CONT CBL

3.601 MANIFOLD , Engine Exhaust Manifold

NOTE: SEE GROUP 3.265 FOR INTAKE MANIFOLD.

57	Y (F.I. W/H.L. CAM)	3817806	RH	73.25	MANIFOLD (CAST 3750556)
57-61	Y (283)	3749985	LH	73.25	MANIFOLD (CAST 3749965)
57	Y (283)	3817806	RH	73.25	MANIFOLD (CAST 3750556)
57	Y W/F.I. (EXC. H.L. CAM)	372243	2	69.50	MANIFOLD
58-61	Y	3817806	RH	73.25	MANIFOLD (CAST 3750556)
62-63	Y (EXC. F.I., H/PER., SP. H/PER.)	3817806	RH	73.25	MANIFOLD (CAST 3750556)
62-63	Y (283, 327) (EXC. H/PER., SP. H/PER., F.I.)	3749965	LH	73.25	MANIFOLD (CAST 3749965)
62-65	Y (327) W/H/PER. (EXC. P.G.)	3814970	RH	77.00	MANIFOLD
62-65	Y W/F.I.	3814970	RH	77.00	MANIFOLD (CAST 3797902)
62-63	Y W/H/PER., SP. H/PER., F.I.	3797901	LH	77.00	MANIFOLD (CAST 3797901)
64-65	Y (P.G. W/H/PER.)	3848559	LH	73.25	MANIFOLD
64	Y (283, 327) (EXC. H/PER., SP. H/PER., F.I.)	3848559	LH	73.25	MANIFOLD
64-65	Y (327) (P.G. W/H/PER.)	3817806	RH	73.25	MANIFOLD (CAST 3750556)
64-65	Y W/H/PER., SP. H/PER. (EXC. P.G.)	3848563	LH	74.50	MANIFOLD
65-68	Y (283, 327) (EXC. A.I.R., H/PER., SP. H/PER., F.I.)	3848559	LH	73.25	MANIFOLD
66-68	Y (327)	372243	2	69.50	MANIFOLD
66-67	Y (327) W/A.I.R.	3872765	LH	73.25	MANIFOLD
66-69	Y (427)	3880834	RH	96.75	MANIFOLD
67	Y (327) (EXC. A.I.R.)	3848559	LH	73.25	MANIFOLD
68-69	Y (327, 350)	3872765	LH	73.25	MANIFOLD
68-71	Y (350)	372243	RH	69.50	MANIFOLD
70-71	Y (350) (EXC. SP. H/PER.)	3848559	LH	73.25	MANIFOLD
70-71	Y (350) W/SP. H/PER.	3872765	LH	73.25	MANIFOLD
70-74	Y (454)	3880834	RH	96.75	MANIFOLD
70-71	Y (454) (EXC. A.I.R., SP. H/PER.)	3989923	LH	96.75	MANIFOLD
71	Y (454) W/SP. H/PER.	3989923	LH	96.75	MANIFOLD
72-80	Y (350)	372243	2	69.50	MANIFOLD
72-73	Y (454) W/A.I.R.	3989923	LH	96.75	MANIFOLD
74	Y (454)	3989923	LH	96.75	MANIFOLD
80	Y (305)	14014437	LH	178.00	MANIFOLD
80	Y (305)	14014438	RH	178.00	MANIFOLD
81	Y (350)	14022625	LH	172.00	MANIFOLD
81	Y (350)	14022626	RH	172.00	MANIFOLD
82	Y (5.7)	14037671	RH	172.00	MANIFOLD
82	Y (5.7)	14037672	LH	172.00	MANIFOLD

3.602

BOLT-BRACKET-COVER-GASKET-MOLDING-SHIELD-STRAP, Exhaust Manifold Heater

69	Y W/SIDE MT. EXH.	3946079	AR	1.70	BOLT, HT SHIELD, RR MT
65-67	Y W/SIDE MT. EXH.	3872283	LH	1.00	BRACKET, BODY SILL EXH PIPE HT SHIELD
65-67	Y W/SIDE MT. EXH.	3876556	2	4.40	BRACKET, BODY SILL EXH PIPE HT SHIELD, RR
69	Y W/SIDE MT. EXH.	3966775	LH	3.05	BRACKET, RR
65-67	Y W/SIDE MT. EXH.	3872283	LH	253.00	COVER, BODY SILL EXH PIPE HT SHIELD
65-67	Y W/SIDE MT. EXH.	3872284	RH	253.00	COVER, BODY SILL EXH PIPE HT SHIELD
80	Y (305)	14004090	4	16.25	GASKET, EXH MANIF(FRT & RR)
80	Y (305)	14004091	2	25.00	GASKET, EXH MANIF(CTR)
81	Y (350)	14004090	4	16.25	GASKET, EXH MANIF(FRT & RR)
81	Y (350)	14004091	2	25.00	GASKET, EXH MANIF(CTR)
82	Y	14004090	4	16.25	GASKET, EXH MANIF(FRT & RR)
82	Y	14004091	2	25.00	GASKET, EXH MANIF(CTR)
69	Y W/SIDE MT. EXH.	3948020	2	69.75	MOLDING, SHIELD, CTR, OTR, FINNED ALUM
69	Y W/SIDE MT. EXH.	3948022	RH	32.50	MOLDING, SHIELD, FRT, OTR, ALUM
69	Y W/SIDE MT. EXH.	3948023	LH	25.75	MOLDING, SHIELD, RR, OTR, ALUM
69-75	Y	3968885	2	1.75	SHIELD, BODY SILL HT
69	Y W/SIDE MT. EXH.	3972591	LH	257.00	SHIELD
69	Y W/SIDE MT. EXH.	3972592	RH	257.00	SHIELD
75-76	Y W/A.T. (M40)	366953	1	36.00	SHIELD, EXH PIPE HT
76-77	Y (EXC. SP. H/PER.)	473040	1	7.45	SHIELD, RR EXH C/OVR PIPE HT FRT
77-79	Y	366953	1	36.00	SHIELD, EXH PIPE HT
78-79	Y	473040	1	7.45	SHIELD, RR EXH C/OVR PIPE HT FRT
78-79	Y	473041	1	9.15	SHIELD, RR EXH C/OVR PIPE HT RR
80	Y	475340	1	6.60	SHIELD, RR EXH C/OVR PIPE HT RR
80-81	Y	475342	1	1.95	SHIELD, EXH PIPE HT
80	Y (305)	14023194	1	7.20	SHIELD, EXH MANIF HT
80	Y (350)	14023193	1	2.05	SHIELD, EXH MANIF HT
81	Y	14023194	1	7.20	SHIELD, EXH MANIF HT
81-82	Y	14030148	1	7.45	SHIELD, RR EXH C/OVR PIPE HT FRT
81	Y (EXC H.D.SUSP FE7)	14030149	1	2.85	SHIELD, RR EXH C/OVR PIPE HT RR
82	Y	14045850	RH	7.20	SHIELD, EXH MANIF HT
82	Y	14048925	1	2.85	SHIELD, EXH C/OVR FRT PIPE LWR
82	Y	14048926	1	2.85	SH'LD, EXH C/OVR FRT PIPE UPR
69-74	Y (EXC. SIDE MT. EXH.)	3828291	2	.54	STRAP, EXH PIPE HT SHLD
80	Y (305)	14023182	2	3.55	STRAP, EXH MANIF HT SHLD
80	Y (350)	14023181	2	.54	STRAP, EXH MANIF HT SHLD
81-82	Y	14023182	2	3.55	STRAP, EXH MANIF HT SHLD

3.611

GASKET -PACKING-RING, Exhaust Pipe

58-60	Y (EXC. F.I.)	3946828	AR	.86	GASKET (TRIANGLE TYPE OUTLETS)
61	Y W/F.I.	3946828	AR	.86	GASKET, PIPE TO MANIF SPCR
62-65	Y (EXC. H/PER., SP. H/PER., F.I.)	3946828	AR	.86	GASKET, PIPE TO MANIF SPCR
62-66	Y (327, 396, 427) W/H/PER., SP. H/PER.	3981068	AR	.67	GASKET, PIPE TO MANIF SPCR
62-65	Y W/F.I.	3981068	AR	.67	GASKET, PIPE TO MANIF SPCR
63	Y (327) W/H/PER., SP. H/PER.	3981068	AR	.67	GASKET, PIPE TO MANIF SPCR
66-72	Y (327, 350)	3946828	AR	.86	GASKET, PIPE TO MANIF SPCR
67-69	Y (427)	3981068	AR	.67	GASKET, PIPE TO MANIF SPCR
70-74	Y (454) (EXC. H.D.)	3981068	AR	.67	GASKET, EXH MANIF VLV MANIF
74	Y (350)	3946828	AR	.86	GASKET, PIPE TO MANIF SPCR
53-71	Y	6271811	2	1.25	PACKING, FRT
62-71	Y	6271812	2	1.25	PACKING, FRT
72-74	Y (350)	6271811	2	1.25	PACKING, FRT
72-74	Y (454)	6271812	2	1.25	PACKING, FRT
75-81	Y	3731062	1	1.30	RING, PIPE TO MANIF SEALING (2 1/64-2 35/64 X 1/2W)

3.613

BOLT-NUT-STUD, Exhaust Pipe

72-82	Y	411405	AR	.66	BOLT, EXH(3/8-16X1 3/4 SHL HT HEX)
53-82	Y	838780	AR	.36	NUT, EXHAUST PIPE AND MUFFLER (3/8-16 X 3/8 THICK) (BRASS)
53-78	Y	344998	AR	.58	STUD, EXH PIPE AND MUFFLER, EXH C/OVR PIPE TO EXH MANIF (3/8-16 X 3 1/16)
53-81	Y	483543	AR	.35	STUD, EXH PIPE AND MUFFLER, EXH C/OVR PIPE TO EXH MANIF (3/8-16 X 2.56 STEEL)
75-81	Y	344998	AR	.58	STUD, EXH PIPE R.H. (3/8-16 X 3 1/16)
78-79	Y	468389	AR	.59	STUD, EXH PIPE (M8 X 1 1/4)

3.616 CLAMP-HANGER-NUT-RETAINER, Exhaust Pipe

76-77	Y		357764	2	2.60	CLAMP, C/OVR RR PIPE HANGER
78	Y (EXC. SP. H/PER.)		357784	2	2.60	CLAMP, C/OVR RR PIPE HANGER
82	Y		14044542	1	2.60	CLAMP, EXH. C/OVR RR PIPE HNGR
76-77	Y		357781	1	10.90	HANGER, C/OVR RR
78	Y (EXC. SP. H/PER.)		357781	1	10.90	HANGER, C/OVR RR
78	Y W/SP. H/PER.		459081	1	10.75	HANGER, C/OVR RR
79-82	Y		459081	1	10.75	HANGER, C/OVR RR
79-81	Y		475341	1	2.50	HANGER
82	Y		14044541	1	11.00	HANGER, C/OVR RR
65-67	Y W/SI. MT. EXH.		3880494	AR	81	NUT, BODY S'LL EXH PIPE HT SHIELD CVR AND MLDG RET
53-60	Y		3751443	AR	80	RETAINER, CLAMP AND INSULATOR (3.704)

3.647 BUSHING-PIPE-VALVE, Exhaust Manifold Heat

66	Y (283, 327) W/A.I.R.		3887032	2	57	BUSHING, VLV SHAFT
68	Y (427)		3848282	2	59	BUSHING, VLV SHAFT
67	Y (283, 327)		3887032	2	57	BUSHING, VLV SHAFT
70-71	Y (350)		3887032	2	57	BUSHING, VLV SHAFT
70-71	Y (454)		3848282	2	59	BUSHING, VLV SHAFT
73-74	Y		3887032	2	57	BUSHING, VLV SHAFT
66	Y (283, 327) (EXC. SP. H/PER.)		3877484	4	2.30	PIPE, CTR AND END
66	Y (427) W/SP. H/PER.		333832	AR	12.95	PIPE
57-81	Y (8 CYL.) (EXC. F.I. H/PER.)		362652	1	18.85	VALVE
61	Y (EXC. F.I.)		362652	1	18.85	VALVE
62-65	Y (EXC. H/PER., SP. H/PER., F.I.)		362652	1	18.85	VALVE
62-65	Y W/H/PER., SP. H/PER.		3887034	1	23.60	VALVE
66-74	Y (327, 350)		362652	1	18.85	VALVE
68-68	Y (427)		3887034	1	23.60	VALVE
69	Y (427)		3969903	1	20.50	VALVE
70-74	Y (454)		3887034	1	23.60	VALVE
75	Y		355915	1	32.75	VALVE
76	Y W/SP. H/PER., CALIF.		355915	1	32.75	VALVE
77-79	Y		355915	1	32.75	VALVE

3.650 PULLEY-SPACER, Air Injection Reactor Pump

NOTE: SEE GROUP 1.066 FOR BELT APPLICATION.

68	Y (EXC. 427)		3917234	1	12.30	PULLEY
68-81	Y W/A.I.R.		14023170	1	4.05	PULLEY (1 GROOVE, 148 MM)
69	Y (350) (EXC. H/PER.)		3917234	1	12.30	PULLEY
69	Y (350) W/H/PER. (EXC. A.C.)		3932458	1	3.70	PULLEY (1 GROOVE, 5 3/4 DIA.) (DA)
70-72	Y (350) W/SP. H/PER.		3917234	1	12.30	PULLEY
72	Y (350) (EXC. SP. H/PER.)		3917234	1	12.30	PULLEY
73-74	Y (350) (EXC. A.C.)		3917234	1	12.30	PULLEY
75-79	Y (350) W/A.C.		3932458	1	3.70	PULLEY (1 GROOVE, 5 3/4 DIA.) (DA)
80-82	Y		14023171	1	4.15	PULLEY (1 GROOVE, 5 1/8 DIA) (AF)
68	Y (327) W/SP. H/PER. (EXC. A.C.)		14017717	1	12.35	SPACER, PUMP PULLEY (3/4 THICK)
71-72	Y (350) W/SP. H/PER.		14017717	1	12.35	SPACER, PUMP PULLEY (3/4 THICK)
77-82	Y		14017717	1	12.35	SPACER, PUMP PULLEY (3/4 THICK)

3.655 BOLT-BRACE-BRACKET-NUT-SLEEVE-SPACER, Air Injection Reactor Pump

80-81	Y		14017784	1	1.75	BOLT, PUMP PIVOT
68-69	Y (327, 350)		3933093	1	1.80	BRACE
68-74	Y (427, 454)		3921903	1	1.75	BRACE
70-71	Y (350) W/SP. H/PER.		3933093	1	1.80	BRACE
72-79	Y (350)		3933093	1	1.80	BRACE
80-82	Y		14031170	1	1.80	BRACE
68-69	Y (327, 350)		14007354	1	26.25	BRACKET, PUMP
68-74	Y (427, 454)		3919890	1	6.50	BRACKET, PUMP
70-71	Y (350) W/SP. H/PER.		14007354	1	26.25	BRACKET, PUMP
72-79	Y (350)		14007354	1	26.25	BRACKET, PUMP
80-81	Y (305, 350)		14037668	1	22.65	BRACKET, PUMP
82	Y		14037663	1	.42	NUT, PUMP PIV
80-81	Y		10028787	1		SLEEVE, PUMP BRKT (2.277)
82	Y (5.7-8)		10028787	1		SLEEVE, PUMP BRKT (2.277)
68-69	Y (283, 327)		3877600	AR	.44	SPACER (13/32-21/32 X 1/2)
69	Y (427) W/H/PER., ROCH 4 BC		3877600	AR	.44	SPACER (13/32-21/32 X 1/2)
70-71	Y (350) W/SP. H/PER.		3877600	AR	.44	SPACER (13/32-21/32 X 1/2)
72-79	Y (350)		3877600	AR	.44	SPACER (13/32-21/32 X 1/2)
80-81	Y		336028	1	.79	SPACER, AIR INJ PUMP BRKT TO W/PMP (2.277)
80	Y (305, 350) EXC SP. H/PERF.		14023128	1	4.80	SPACER, AIR INJ PUMP PIV
82	Y		336028	1	.79	SPACER, AIR INJ PUMP BRKT (2.277)

3.660 PUMP, Air Injection Reactor Pump

68-71	Y	7806686	1	124.00	PUMP
72-78	Y	7817809	1	N.L.	PUMP
79	Y	7831337	1	134.00	PUMP
80	Y (305H, 350) (EXC SP H/PERF)	7832118	1	136.00	PUMP
80	Y (350) W/SP H/PERF, A.T. (MV4)	7832872	1	136.00	PUMP
81-82	Y	7838920	1	136.00	PUMP

3.670 CALIBRATOR-CONTROLLER-MODULE-RELAY-SOLENOID-SWITCH-VALVE-VALVE EGR -VALVE KIT, Emission Control System

NOTE SEE GROUP 3.671 FOR ATTACHING PARTS.

80	Y (305H) W/CLSD LOOP	1224675	1	33.25	CALIBRATOR, PROM (CODE 1337AL)
81	Y W. A.T., CALIF	1225432	1	68.75	CALIBRATOR, PROM (CODE 81140H)
81	Y W. A.T., FED	1225430	1	68.75	CALIBRATOR, PROM (CODE 81180D)
81	Y W. M.T., CALIF (1ST DES)	1224869	1	68.75	CALIBRATOR, PROM (CODE 5839CF)
81	Y W. M.T., CALIF (2ND DES)	1225433	1	68.75	CALIBRATOR (PROM)(CODE 81040J)
81	Y W. M.T., FED (1ST DES)	1225310	1	68.75	CALIBRATOR, PROM (CODE 6084FN)
81	Y W. M.T., FED (2ND DES)	1225434	1	68.75	CALIBRATOR, PROM (CODE 81080K)
82	Y W. CALIF (1ST DES)	1225555	1	68.75	CALIBRATOR, PROM (CODE 5337ARZ)
82	Y W. CALIF (2ND DES)	1226170	1	68.75	CALIBRATOR, PROM (CODE 02538PB)
82	Y W. FED	1226098	1	70.75	CALIBRATOR, PROM (CODE 5343ARY, 9405BMU, 0547TS)
80	Y (305H) W/CLSD LOOP	1224670	1	110.00	CONTROLLER, ECM (REMANUFACTURED)
81	Y W. A.T., FED, CALIF	1224810	1	110.00	CONTROLLER, ECM (REMANUFACTURED)
81	Y W. M.T.	1224810	1	110.00	CONTROLLER, ECM (REMANUFACTURED)
82	Y	1225550	1	110.00	CONTROLLER, ECM (REMANUFACTURED)
82	Y	12020423	1	46.00	MODULE, COLD START (E-CELL)
81	Y	14029543	1	9.15	RELAY, AIR CONT VLV
81	Y W. A.T., CLSD LOOP	1620879	1	3.95	RELAY, TRANS SHIFT POS SIG (2 8 15)
82	Y W. A.T., CLSD LOOP	1626239	1	5.75	RELAY, TRANS SHIFT POS SIG(2 5 10)
81	Y W. A.T.	1997536	1	33.00	SOLENOID, E.G.R. CONT VLV RLY
81	Y W. M.T.	1997518	1	15.10	SOLENOID, E.G.R. CONT VLV RLY (STMPD DR5 18)
82	Y	1997618	1	12.40	SOLENOID, EGR CONT VLV RLY
74-77	Y	3030951	1	N.L.	SWITCH, E.G.R. VLV VAC CONT
75	Y	3031549	1	13.30	SWITCH, E.G.R. VLV VAC CONT
76-77	Y	3031385	1	N.L.	SWITCH, E.G.R. VLV VAC CONT
78-80	Y	373510	1	16.85	SWITCH, E.G.R. VLV VAC CONT
80	Y (305)	3031385	1	N.L.	SWITCH, E.G.R. VLV VAC CONT
66-67	Y	5354987	AR	8.20	VALVE, CHECK (L.H.)
66-67	Y	5354988	RH	10.30	VALVE, CHECK
66-67	Y (327)	7033546	1	19.60	VALVE
68-75	Y	22034702	1	9.55	VALVE, AIR CHECK
69-71	Y (350)	17052772	1	28.35	VALVE, DVTR
70-71	Y	7029297	1	27.00	VALVE, DVTR
72	Y	17052772	1	28.35	VALVE, DVTR
72-73	Y (454)	7029190	1	22.95	VALVE, DVTR
73-74	Y (350)	17052772	1	28.35	VALVE, DVTR
75-76	Y	4974265	1	9.90	VALVE, CATALYTIC CONVERTER CHECK
75	Y	7040150	1	18.55	VALVE, DVTR
76-77	Y	4974265	1	9.90	VALVE, CHECK
76	Y	7030760	1	18.55	VALVE, SIL, DVTR
77-78	Y	17054984	1	23.35	VALVE, DVTR
77-80	Y	22034702	1	9.55	VALVE, AIR CHECK
79	Y W. CALIF, ALT. (EXC. SP H/PER.)	17081293	1	23.35	VALVE, DVTR
79	Y W/SP, H/PER.	17081293	1	23.35	VALVE, DVTR
80	Y	22016902	1	9.90	VALVE, AIR INJ CHECK
80	Y (305H) W/CALIF	17058247	1	44.80	VALVE, DVTR SWITCHING
80	Y (350) W/A.T. (MV4)	17063052	1	23.35	VALVE, AIR CONT
80	Y (350) W/M.T. (M18)	17064301	1	25.30	VALVE, AIR CONT
81	Y	17071549	1	91.75	VALVE, AIR INJ CONT (PART NO. STAMPED ON PART)
81	Y	22017478	1	9.90	VALVE, CTLTC CONV AIR INJ CHK
81-82	Y	22040897	1		VALVE, AIR INJ ENG CHK
92	Y	17070882	1	51.75	VALVE, AIR INJ CON (17070882 STAMPED)
82	Y	17070883	1	42.75	VALVE, AIR INJ SW
82	Y	22036195	1	9.90	VALVE, CTLTC CONV AIR INJ CHK
73	Y (350) (EXC. SP, H/PER.)	17051810	1	30.05	VALVE EGR (PROD 7035 172)
73	Y (350) W/M.T. (EXC. SP, H/PER.)	7040318	1	23.90	VALVE EGR
73	Y (350) W/A.T. (EXC. SP, H/PER.)	17051810	1	30.05	VALVE EGR (PROD 7035 172)

3.670

**CALIBRATOR-CONTROLLER-MODULE-RELAY-SOLENOID-
SWITCH-VALVE-VALVE EGR -VALVE KIT,
Emission Control System (Con't)**

73-74	Y (350) W/M.T., SP. H/PER.	17051818	1	30.05	VALVE EGR (PROD 7040299)
73	Y (454)	7047066	1	31.75	VALVE EGR
74	Y (350) W/CALIF. M.T. (EXC. SP. H/PER.)	7040599	1	23.90	VALVE EGR
74	Y (350) W/M.T. (EXC. SP. H/PER.)	7041409	1	23.90	VALVE EGR
74	Y (350) W/A.T. (EXC. SP. H/PER., CALIF.)	7041409	1	23.90	VALVE EGR.
74	Y (350) W/CALIF. A.T. (EXC. SP. H/PER.)	17051824	1	30.05	VALVE EGR (PROD 7040437)
74	Y (454) W/CALIF. A.T.	17051841	1	30.05	VALVE EGR (PROD 7041425)
75	Y W/A.T., SP. H/PER. (EXC. CALIF.)	17052670	1	30.05	VALVE EGR (PROD 7043137)
75-76	Y W/CALIF. A.T. (EXC. SP. H/PER.)	17052671	1	30.05	VALVE EGR (PROD 7043139)
75	Y W/M.T. (EXC. SP. H/PER.)	17052669	1	30.05	VALVE EGR (PROD 7043133)
75-76	Y W/M.T., SP. H/PER.	17052670	1	30.05	VALVE EGR (PROD 7043137)
76	Y (350 288L) W/AT EXC Z95	17052693	1	30.05	VALVE EGR (PROD 7046154)
76-77	Y W/A.T., SP. H/PER.	17052669	1	30.05	VALVE EGR (PROD 7043133)
76	Y W/FED. A.T. (EXC. CALIF., SP. H/PER.)	17052669	1	30.05	VALVE EGR (PROD 7043133)
77	Y W/A.T., SP. H/PER.	17055388	1	51.10	VALVE EGR (PROD 7044303)
77	Y W/CALIF. ALT.	17055750	1	51.10	VALVE EGR (PROD 17056225)
77	Y W/FED. A.T. (EXC. SP. H/PER.)	17052742	1	30.05	VALVE EGR (PROD 17053034)
77	Y W/M.T. (EXC. SP. H/PER.)	17052669	1	30.05	VALVE EGR (PROD 7043133)
77	Y W/4 SP. (SP/HI SPEED)	17055388	1	51.10	VALVE EGR (PROD 7044307)
78	Y (350) W/M.T.	17052742	1	30.05	VALVE EGR (PROD 17053034)
78	Y W/A.T. (EXC. CALIF. SP. H/PER., ALT.)	17052661	1	30.05	VALVE EGR (PROD 7030806)
78	Y W/A.T., SP. H/PER.	17065078	1	51.10	VALVE EGR (PROD 17056494)
78	Y W/ALT. (EXC. SP. H/PER.)	17065081	1	51.10	VALVE EGR (PROD 17065081)
78	Y W/CALIF.	17065080	1	51.10	VALVE EGR (PROD 17056496)
78	Y W/M.T., SP. H/PER.	17065079	1	51.10	VALVE EGR (PROD 17056495)
79	Y (EXC. CALIF., SP. H/PER.)	17065825	1	54.40	VALVE EGR (PROD 17057427)
79	Y (350L) W/ALT.	17065819	1	54.40	VALVE EGR (PROD 17057415)
79	Y W/A.T., SP. H/PER.	17065821	1	54.40	VALVE EGR (PROD 17057420)
79	Y W/ALT. (EXC. SP. H/PER.)	17065870	1	54.40	VALVE EGR (PROD 17062066)
79	Y W/CALIF. (EXC. SP. H/PER.)	17065823	1	54.40	VALVE EGR (PROD 17057423)
79	Y W/M.T., SP. H/PER.	17065822	1	54.40	VALVE EGR (PROD 17057421)
80	Y (305)	17066872	1	67.55	VALVE EGR (PROD 17064554)
80	Y (350) W/A.T. (EXC. SP. H/PER.)	17066239	1	75.55	VALVE EGR (PROD 17064059)
80	Y (350) W/M.T. (EXC. SP. H/PER.)	17066862	1	75.55	VALVE EGR (PROD 17062706)
80	Y (350) W/SP. H/PER., A.T.	17066870	1	75.55	VALVE EGR (PROD 17063991)
81	Y (350) W/CALIF. A.T.	17066862	1	75.55	VALVE EGR (PROD 17062706)
81	Y (350) W/M.T., CALIF.	17068196	1	55.40	VALVE EGR (PROD 17062705)
81	Y (350) W/A.T., FED	17068196	1	55.40	VALVE EGR (PROD 17062705)
81	Y W/FED. M.T.	17068164	1	67.95	VALVE EGR (PROD 17075813)
82	Y (5.7) W/CALIF.	17066202	1	70.35	VALVE EGR (PROD 17063341)
82	Y (5.7) W/FED	17078423	1	58.75	VALVE EGR (PROD 17082807)
73-74	Y (454)	17052766	1	23.05	VALVE KIT, AIR INJ DVTR

3.671

**BOLT-BRACKET-CLIP-GASKET-LOCK-NUT-SCREW-SLEEVE- STUD,
Emission Control System**

80	Y	11048283	3	.36	BOLT, PUMP PIVOT BRKT
80	Y (305H) W/CLSD LOOP	439088	4	.33	BOLT, W/CLIP, ELEC CONT MOD BRKT (9.667)
81-82	Y	469088	AR	.33	BOLT, W/CLIP, ELEC CONT MOD BRKT (9.667)
81	Y	14031177	1	.58	BOLT, DVTR VLV
81	Y	14029559	1	3.65	BRACKET, MANIF DIFF PRESS SEN
81	Y	14033010	1	2.15	BRACKET, E.G.R. SOL
81-82	Y	14034367	1	.64	BRACKET, ELEK CONT MDL DIAGNOSTIC CONN
82	Y	14037665	1	.42	BRACKET, AIR INJ SW VLV
82	Y	14043228	1	3.65	BRACKET, M.A.P. SEN
82	Y	14043288	1	.71	BRACKET, EGR CONT VLV RLY SOL
82	Y	14047131	1	3.65	BRACKET, ELEK FUEL CONT MDL
82	Y	10028387	AR	.30	CLIP, U-NUT AND STUD (M5X0.8-10 THD) (9.667)
80-82	Y	14015367	1	.52	GASKET, AIR INJ DVTR VLV EL

3.671 BOLT-BRACKET-CLIP-GASKET-LOCK-NUT-SCREW-SLEEVE- STUD.
Emission Control System (Con't)

81-82	Y	14031171	1	40	LOCK, DVTR VLV EL BOLT
81	Y	14003578	AR	35	NUT, MANIF DIFF PRESS SEN & BRKT (4.022)
81	Y W/CLSD LOOP	14003578	1	35	NUT, AIR CONT VLV RLY (4.022)
81	Y W/CLSD LOOP	14003578	1	35	NUT, EGR CONT VLV RLY (4.022)
82	Y	14005097	2	73	NUT, MANIF ABS PRESS SEN BRKT (2.383)
82	Y W/FED, CALIF	14003578	2	35	NUT, EGR VLV(4.022)
82	Y W/FED, CALIF	14003578	2	35	NUT, MANIF ABS PRESS SEN BRKT (4.022)
82	Y W/FED, CALIF	14003578	2	35	NUT, A/CL AIR INT SCOP DR SOL RLY (4.022)
74-82	Y	1244067	AR	35	SCREW, HEX (1/4-20 X 700 W/CON SPR WAPH)
82	Y	14047182	1	28	SLEEVE, EXH OXY SEN
81	Y	14031107	1	86	STUD, AIR CONT VLV ADAP

3.675 ADAPTER-BRACKET-EXTENSION-HOSE-LOCK-PIPE-HARNESS HOSE-PIPE, Air Injection Reactor

NOTE 1: IT MAY BE NECESSARY TO CUT OR REWORK HOSE FOR PROPER FIT.

81	Y	472812	1	2.45	ADAPTER, VAC HOSE
75-78	Y	357055	1	2.95	BRACKET, EXH HT VLV ACTR
79	Y	14014407	1	8.75	BRACKET, W/SHIELD, EFE VLV ACTR HT
80-72	Y (427, 454)	3882805	8	2.00	EXTENSION, EXH GAS COMBUSTION PIPE
73-75	Y (350)	3877484	8	2.30	EXTENSION, PIPE
73-75	Y (454)	3882805	8	2.00	EXTENSION, PIPE
77-78	Y W/ALT., CALIF. (EXC. SP. H/PER.)	3877484	6	2.30	EXTENSION, PIPE
77-78	Y W/SP. H/PER.	3877484	6	2.30	EXTENSION, PIPE
78	Y W/ALT., CALIF.	464657	AR	1.85	EXTENSION, PIPE
79	Y (350) W/CALIF. ALT. (EXC. SP. H/PER.)	14007363	6	1.20	EXTENSION, PIPE
79	Y (350) W/SP. H/PER.	14007363	6	1.20	EXTENSION, PIPE
80-81	Y (305, 350)	464657	8	1.85	EXTENSION, PIPE
68	Y (EXC. 427)	1608791	LH	5.90	HOSE, PUMP TO OTLT (NOTE 1)
73-75	Y	3905087	1	8.45	HOSE, C/CASE VENT/TO A/CL
80	Y (305H)	14015515	1	3.25	HOSE, DVTR VLV A/CL
80	Y (305H)	14020881	LH	7.65	HOSE, AIR INJ ENG CHK VLV
80	Y (305H)	14020882	RH	4.00	HOSE, DVTR VLV TO CHK VLV
80	Y (350) W/M.T. (M18)	14023113	1	4.10	HOSE, CONT VLV TO A/CL
80-81	Y (350) W/M.T. (M18)	14023115	1	2.30	HOSE, CONT VLV FLTR
81	Y	14020881	LH	7.65	HOSE, AIR INJ ENG CHK VLV
81-82	Y	14020882	RH	4.00	HOSE, CVTR VLV TO CHK VLV
81	Y	14031169	1	4.00	HOSE, AIR CTLTC CONV
81	Y W/M.T.	14031168	1	3.55	HOSE, AIR CONT VLV PIPE
82	Y	14037866	1	1.50	HOSE, AIR INJ SW VLV
82	Y	14037867	1	3.25	HOSE, AIR INJ CONT VLV TO A/CL
79	Y W/CALIF., ALT. (EXC. SP. H/PER.)	14017783	1	.43	LOCK, DVTR VLV EL BOLT
79	Y W/SP. H/PER.	14017783	1	.43	LOCK, DVTR VLV EL BOLT
68	Y (EXC. 427 H/PER.)	333831	LH	19.30	PIPE, EXH GAS COMBUSTION (NOTE 1)
68	Y (EXC. 427 H/PER.)	333832	RH	12.95	PIPE, INJECTION
68-68	Y (327)	333832	RH	12.95	PIPE, INJECTION
68-69	Y (427, 454)	3889377	LH	24.65	PIPE, INJECTION
67-69	Y (327, 350)	333831	LH	19.30	PIPE, EXH GAS COMBUSTION (NOTE 1)
69	Y (350)	333832	RH	12.95	PIPE, INJECTION
70-71	Y (350) W/SP. H/PER.	333831	LH	19.30	PIPE, EXH GAS COMBUSTION (NOTE 1)
70-71	Y (350) W/SP. H/PER.	333832	RH	12.95	PIPE, INJECTION
71	Y (454) W/SP. H/PER.	333823	LH	19.10	PIPE, INJECTION
71	Y (454) W/SP. H/PER.	333824	RH	18.00	PIPE, INJECTION
72	Y	333832	RH	12.95	PIPE, INJECTION
72-75	Y (350)	333831	LH	19.30	PIPE, EXH GAS COMBUSTION (NOTE 1)
72	Y (454)	333823	LH	19.10	PIPE, INJECTION
72-74	Y (454)	333824	RH	18.00	PIPE, INJECTION
73-74	Y (350)	333832	RH	12.95	PIPE, INJECTION
73-74	Y (454)	333823	LH	19.10	PIPE, INJECTION
75-76	Y	360452	1	8.55	PIPE, CONV AIR
77-80	Y	354378	RH	13.70	PIPE, A.I.R.
77-80	Y	458703	LH	21.40	PIPE, A.I.R.
78-79	Y W/CALIF. ALT (EXC. SP. H/PER.)	343783	LH	20.15	PIPE, INJECTOR
80	Y (350), W/M.T. (M18)	14021878	RH	20.80	PIPE, A.I.R.
81	Y	14030108	1	8.55	PIPE, AIR CTLTC CONV
81	Y	14031166	1	7.05	PIPE, AIR CONT VLV
82	Y	14037864	1	5.45	PIPE, DCLR VLV OTLT
62	Y	14044538	1	19.10	PIPE, CTLTC CONV AIR INJ

3.680

**CLAMP-CLIP-CONNECTOR-ELBOW-FILTER-FITTING-
GASKET-LOCK-PLUG-SPACER-TUBE, Air Injection Reactor and
Exhaust Gas Recirculation**

NOTE 1: THREADS MUST BE COVERED WITH TEFLON TAPE.

73-74	Y (350)	353090	1	2.90	CLAMP, E.G.R. VLV
75-80	Y	22505116	1	3.45	CLAMP, CTLTC CONV AIR INJ PIPE (U-BOLT TYPE)
81	Y	14030110	1	.99	CLAMP, AIR CTLTC CONV PIPE UPR
81	Y	14030111	1	.99	CLAMP, CTLTC CONV AIR INJ PIPE
82	Y	14044532	2	.97	CLAMP, CTLTC CONV AIR INJ PIPE
82	Y	14044533	2	.97	CLAMP, CTLTC CONV AIR INJ PIPE
74-81	Y	2043150	1	1.05	CLIP, A/C COMPR FITTING (11/32 X 1 PC)
77-82	Y	1257393	1	.38	CLIP, EFE VAC PIPE TO CYL HD
81-82	Y	8917238	AR	2.70	CLIP, ELEC CONT MDL HARN (2.559)
72-76	Y	3951346	1	5.20	CONNECTOR, AIR INJ DVTR VLV
78-80	Y	469550	1	.52	CONNECTOR, EXH EMIS CONT HOSE (3 WAY)
81	Y W/A.T. (MX3)	14034083	1	.52	CONNECTOR, EGR CONT VLV
88	Y (327)	7816979	1	3.75	ELBOW, PUMP
89	Y (EXC. 427)	3947728	1	9.00	ELBOW, DVTR VLV MT
70-71	Y (350) W/SP. H/PER.	3947728	1	9.00	ELBOW, DVTR VLV MT
72-75	Y (350)	3947728	1	9.00	ELBOW, DVTR VLV MT
77-78	Y (350L)	14010294	1	5.20	ELBOW, DVTR VLV
79	Y W/CALIF. ALT (EXC. H/PER)	14010294	1	5.20	ELBOW, DVTR VLV
79	Y W/H/PER	14010294	1	5.20	ELBOW, DVTR VLV
80	Y	14010294	1	5.20	ELBOW, DVTR VLV
81-82	Y	14026170	1	9.00	ELBOW, DVTR VLV
80	Y (350) W/M.T. (M18)	25040275	1	33.82	FILTER, AIR CONT VLV (PAC A764C)
78-82	Y	474793	1	5.20	FITTING, FUEL VAPOR PIPE HOSE (NOTE 1)
88	Y	3942534	AR	.45	GASKET, DVTR VLV GSKT
89	Y (427) W/H/PER.	3942534	AR	.45	GASKET, DVTR VLV GSKT
70-79	Y (350, 454)	3942534	AR	.45	GASKET, DVTR VLV GSKT
73-74	Y (454)	353086	1	.18	GASKET, E.G.R. VLV
75-78	Y (EXC. ALT., CALIF.)	343752	1	1.63	GASKET, E.G.R. VLV
77-78	Y W/ALT., CALIF. (EXC. SP. H/PER.)	14031369	2	.35	GASKET, E.G.R. VLV
79-81	Y (305, 350)	14031369	2	.35	GASKET, E.G.R. VLV
82	Y (5.7)	14031369	1	.35	GASKET, E.G.R. VLV
79	Y	11048283	AR	.30	LOCK, DVTR
79-82	Y W/A.I.R.	14015368	AR	.30	LOCK, AIR INJ CONT VLV BOLT
73-74	Y (454)	9427697	1	.42	PLUG, E.G.R.
77-78	Y W/ALT., CALIF. (EXC. SP. H/PER.)	14031368	2	1.65	SPACER, E.G.R. VLV
79-80	Y	14031368	1	1.65	SPACER, E.G.R. VLV
79-80	Y (305, 350)	14031368	1	1.65	SPACER, EGR VLV
81	Y (350)	14031368	1	1.65	SPACER, E.G.R. VLV
73-74	Y (454)	353043	1	1.85	TUBE, EXH GAS RTN

3.682 SENSOR, Emission Control Sensors

80	Y (305)	8993311	1	38.20	SENSOR, COOLANT TEMP
80	Y (305H)	5613719	1	28.57	SENSOR, OXYGEN(2 WIRE)
81	Y	5613719	1	28.57	SENSOR, OXYGEN(2 WIRE)
81	Y	18008834	1	58.50	SENSOR, MANIF. DIFF PRESS
81-82	Y	25036092	1	N.L.	SENSOR, COOLANT TEMP
82	Y	5613959	1		SENSOR, OXYGEN(1 WIRE)
82	Y	18017460	1	87.35	SENSOR, M.A.P.
82	Y	25007278	1	47.55	SENSOR, SPEEDO BUFFER
62	Y W/CLSD LOOP	1997463	1	N.L.	SENSOR, ESC KNOCK

3.725 CARBURETOR, Rochester

NOTE: REFER TO CHARTS END OF GROUP 3 000 FOR GROUP 3 724 THRU 3 859 1978 AND LATER
CARBURETOR'S AND COMPONENT PARTS.

NOTE: ALL 1966 THRU 1971 ROCHESTER CARB WITH 4BC ARE QUADRA-JETS

68	Y (327)	7046904	1	211.60	CARBURETOR
69	Y (350)	7046904	1	211.60	CARBURETOR
69	Y W/A.T. (M40), 4BC	7046904	1	211.60	CARBURETOR
70	Y (350) (EXC. H/PER)	17051998	1	212.40	CARBURETOR
70	Y (350) W/H/PER.	7046905	1	245.45	CARBURETOR
71	Y (350)	17054705	1	211.60	CARBURETOR
71	Y (454) W/H/PER.	17054696	1	245.45	CARBURETOR
72	Y (350)	17054709	1	211.60	CARBURETOR
73	Y (350)	17054698	1	211.60	CARBURETOR
73	Y (454)	17054699	1	211.60	CARBURETOR
74	Y (350) (EXC. SP. H/PER., CALIF.)	17054700	1	211.60	CARBURETOR
74	Y (350) CALIF. (EXC. SP. H/PER.)	17054712	1	211.60	CARBURETOR
74	Y (350) W/M.T., SP. H/PER.	17050591	1	207.00	CARBURETOR
74	Y (350) W/A.T., SP. H/PER.	17054701	1	245.45	CARBURETOR
74	Y (454) W/A.T., CALIF.	7047405	1	178.00	CARBURETOR
74	Y (454) W/A.T. (EXC. CALIF.)	17054702	1	211.50	CARBURETOR
75	Y (350) W/A.T., SP. H/PER.	17052564	1	246.00	CARBURETOR
75	Y (350) W/M.T. (EXC. SP. H/PER.)	17052579	1	291.00	CARBURETOR
75	Y (350) W/A.T. (EXC. SP. H/PER.)	17054703	1	272.60	CARBURETOR
75	Y (350) W/M.T., SP. H/PER.	17054706	1	317.65	CARBURETOR
76	Y (350) W/A.T., H/PER.	17052910	1	293.00	CARBURETOR
76	Y (350) W/M.T., CALIF. (EXC. H/PER.)	17052923	1	335.00	CARBURETOR
76	Y (350) W/M.T., H/PER. (EXC. CALIF.)	17052925	1	359.00	CARBURETOR
76	Y (350) W/M.T., CALIF.	17052947	1	389.00	CARBURETOR
76	Y (350) W/A.T. (EXC. H/PER.)	17054704	1	273.90	CARBURETOR
77	Y (350) W/A.T. (M38), A.C., FED.	17055122	1	273.50	CARBURETOR (PROD 17057204-02)
77	Y (350) W/M.T. (M20)	17055123	1	389.00	CARBURETOR (PROD 17057203)
77	Y (350) W/A.T. (M38) CALIF. (EXC. A.C.)	17055124	1	317.70	CARBURETOR (PROD 17057502-04)
77	Y (350) W/A.T. (M40), A.C., FED.	17055128	1	317.70	CARBURETOR (PROD 17057228)
77	Y (350) W/A.T. (M38) ALT. (EXC. A.C.)	17055137	1	317.70	CARBURETOR (PROD 17057582-84)
77	Y (350) W/A.T. (M40) (EXC. A.C.)	17055180	1	336.00	CARBURETOR (PROD 17057210)
77	Y (350) W/M.T., H/PER.	17055181	1	389.00	CARBURETOR (PROD 17057211)

3.725A REPAIR KIT, carburetor (rochester) MAJOR

NOTE: REPAIR KITS CONSISTS OF NECESSARY PARTS TO OVERHAUL 1 CARBURETOR INCLUDING JETS, NOZZLES, INTAKE NEEDLE AND SEAT, PUMP, LEVER, ETC.

72	Y (454) W/4BC	7041871	1	32.25	REPAIR KIT (W/704:204-5-7042216-17-7047116)
73	Y	7039259	1	12.70	REPAIR KIT (W/7043200-01-02-03-12-13)
73	Y (454) W/A.T.	7046777	1	34.25	REPAIR KIT (W/7043200)
73	Y (454) W/M.T.	7046778	1	36.00	REPAIR KIT (W/7043201)
74	Y (454) W/A.T.	17050563	1	32.25	REPAIR KIT (W/7047403-5)
74	Y (454) W/M.T.	17050564	1	32.25	REPAIR KIT (W/7047401)
75	Y	17051931	1	29.00	REPAIR KIT.
76	Y W/H/PER.	17053998	1	36.25	REPAIR KIT.
77	Y W/A.T. (M38), FED.	17053998	1	36.25	REPAIR KIT.
77	Y W/A.T. (M40)	17055200	1	36.25	REPAIR KIT.
77	Y W/A.T. (M38), ALT., CALIF.	17055322	1	64.75	REPAIR KIT.
77	Y W/M.T.	17053998	1	36.25	REPAIR KIT.

3.725B REPAIR KIT, Carburetor (Rochester) Minor

NOTE: REPAIR KITS (MINOR) CONSIST OF PUMP, NEEDLE AND SEAT UNIT, AIR HORN GASKET, THERMOSTAT HOUSING COVER GASKET, CLIP AND GAGE.

68	Y (327)	7039133	1	12.70	REPAIR KIT (VITON) (W/7028207-08-19)
69	Y (350) W/4BC	7039149	1	12.70	REPAIR KIT (VITON) (W/7029202-03-07)
70	Y (350)	7039174	1	12.70	REPAIR KIT (W/7040202-3-7-0502-3-7-7006-10)
71	Y (350)	7039202	1	12.70	REPAIR KIT (W/7041212-13-7047120)
71-72	Y (454)	7039222	1	12.70	REPAIR KIT (W/7041204-5-2216-17-7047116)
72	Y (350)	7039223	1	12.70	REPAIR KIT (W/7042202-03)
74	Y	7039268	1	N.L.	REPAIR KIT.
75	Y	7039272	1	16.85	REPAIR KIT.
76-77	Y	7039299	1	N.L.	REPAIR KIT.

3.725C CARBURETOR, Carter

64-65	Y (327) W/H/PER.	3851781	1	167.00	CARBURETOR (AFB 3720-5-2721-S)
-------	------------------	---------	---	--------	--------------------------------

3.725E CARBURETOR, Holly

64-65	Y (327) W/SP./H/PER.	3849804	1	298.00	CARBURETOR (R-2818A) (MODEL 4150C)
66	Y (EXC. 427 H/PER.)	3890499	1	296.00	CARBURETOR (R-3605A)
66	Y (327) (EXC. A.I.R.)	3884505	1	296.00	CARBURETOR (R-3367A)
67	Y (327) (EXC. A.I.R.)	3906631	1	318.00	CARBURETOR (R-3810A)
67-69	Y W/3/2BC	3902353	2	177.00	CARBURETOR, SECONDARY (FRT AND RR) (R-3659)
68-69	Y (427) W/3/2BC, M.T. (427)				
	W/H.D., 4-SPD. (2ND DESIGN)	3940929	1	272.00	CARBURETOR, PRIMARY (R-4055-1A)
72	Y (350)	3999263	1	328.00	CARBURETOR (R-6239A)

3.725F REPAIR KIT, Carburetor (holly) major

NOTE: REPAIR KITS CONSIST OF NECESSARY PARTS TO OVERHAUL 1 CARBURETOR INCLUDING JETS, NOZZLES, INTAKE NEEDLE AND SEAT, PUMP, LEVER, ETC.

67-69	Y W/3/2BC	3914110	2	22.45	REPAIR KIT, FRT AND RR (W/3902353) (85-R-2735)
-------	-----------	---------	---	-------	--

3.725G REPAIR KIT, Carburetor (Holly) Minor

NOTE: REPAIR KITS (MINOR) CONSIST OF PUMP, NEEDLE AND SEAT UNIT, AIR HORN GASKET, THERMOSTAT HOUSING COVER GASKET, CLIP AND GAGE.

NOTE: NO MINOR REPAIR KIT RELEASED FOR FRT OR RR CARBS. (3902353). USE GASKET UNIT 3914109 AND NEEDLE UNIT 3889775 FOR MINOR REPAIR KIT APPLICATION.

57-64	Y W/F.I.	7017297	1	94.75	REPAIR KIT, FUEL INJ
-------	----------	---------	---	-------	----------------------

3.726 BAFFLE-GASKET-INSULATION-INSULATOR-STUD, Carburetor to Manifold

NOTE: REFER TO CHARTS END OF GROUP 3.000 FOR GROUP 3.724 THRU 3.859 1978 AND LATER CARBURETORS AND COMPONENT PARTS.

62-65	Y (327) W/H/PER.	3799354	1	2.40	BAFFLE, HEAT RADIATION
66	Y (EXC. SP. H/PER.)	3884575	1	2.60	BAFFLE, HEAT RADIATION (HOLLEY OR CARTER)
67	Y (327) (EXC. SP. H/PER.)	3884575	1	2.60	BAFFLE, HEAT RADIATION (HOLLEY OR CARTER)
69	Y	3884578	1	2.60	BAFFLE, HEAT RADIATION (ROCH.)
58-61	Y (283) W/4BC	3751050	1	.98	GASKET
62-65	Y (327) (EXC. H/PER., SP./H/PER., F.I.)	3743282	1	.60	GASKET
62-65	Y (327) W/H/PER.	3829012	1	.65	GASKET
65	Y (396) W/SP. H/PER.	682914	1	.58	GASKET
66	Y (427) W/SP. H/PER.	682914	1	.58	GASKET
67	Y (327) (EXC. SP. H/PER.)	3890495	1	.71	GASKET (HOLLEY AND CARTER)
57-69	Y (427) W/H.D.	682914	1	.58	GASKET
68-69	Y W/4BC (EXC. H.D., H/PER.)	3884574	1	.58	GASKET (ROCH.)
69	Y (350) W/SP. H/PER.	682914	1	.58	GASKET
70	Y (EXC. E.E.C. SP. H/PER.)	3967470	1	.57	GASKET
70	Y (350) W/SP. H/PER. (EXC. E.E.C.)	682914	1	.58	GASKET
70-71	Y (350) W/E.E.C., SP. H/PER.)	3999198	1	7.30	INSULATION, CARB HEAT
70	Y W/E.E.C. (EXC. SP. H/PER.)	3969837	1	6.90	INSULATION, CARB HEAT
62-65	Y (327) W/H/PER.	3828231	1	6.05	INSULATOR (W/1-1/4" X 3/8" EXT. TAB)
72-73	Y (350) (EXC. SP. H/PER.)	3998912	1	2.91	INSULATOR, CARB HEAT
72	Y (350) W/SP. H/PER.	3999259	1	7.55	INSULATOR, CARB HEAT
74-77	Y	354310	1	3.80	INSULATOR, CARB HEAT
82	Y (5.7-8)	14044859	3	.76	STUD, THROT BODY INJ (5/16-18 BOTH ENDS)

3.906 PUMP -RELAY, Engine Fuel Pump

NOTE 1: WHEN USING IN PLACE OF 5621665, DISCARD ELBOW AND FRONT PIPE AT INLET SIDE, INSTALL NEW PUMP, BEND EXISTING GAS PIPE ASM. TO FIT OUTLET IN PUMP, INSTALL CONNECTOR 3855147 IN INLET OF PUMP WITH CONNECTOR TUBE POINTING UPWARD AND ASSEMBLE EXISTING HOSE AND CLAMP TO CONNECTOR.

56	Y (8 CYL.)	6414447	1	26.80	PUMP (AC-6935)
59-63	Y	6415616	1	27.05	PUMP
64-65	Y (EXC. SP. H/PER., F.I., 396)	6415616	1	27.05	PUMP
64-65	Y (327) W/H/PER., SP. H/PER., F.I.	6415325	1	36.45	PUMP (NOTE 1)
66	Y	6415325	1	36.45	PUMP (NOTE 1)
67	Y (327)	6416712	1	24.75	PUMP (TYPE 40503)
67-69	Y (427)	6416741	1	30.15	PUMP (TYPE 40482)
68-69	Y (427) W/H.D.	6416741	1	30.15	PUMP (TYPE 40482)
68-69	Y W/3/2BC	6416741	1	30.15	PUMP (TYPE 40482)
68-69	Y W/4/BC, H/PER	6416741	1	30.15	PUMP (TYPE 40482)
70-72	Y (350) (EXC. SP. H/PER.)	6470308	1	30.60	PUMP (TYPE 40769)
70-76	Y (350) W/4BC, H/PER	6470308	1	30.60	PUMP (TYPE 40769)
70-74	Y (454) W/4BC	6470309	1	32.45	PUMP (TYPE 40770)
77-81	Y	6471216	1	37.60	PUMP (TYPE 41240)
82	Y	6471925	1	85.20	PUMP (IN TANK)
32	Y	14039681	1	9.20	RELAY, FUEL PUMP(3.140)

3.901 COVER-PLATE -SCREW-STUD-WASHER, Fuel Pump Mounting					
82	Y	14044700	1	1.75	COVER, FUEL PUMP OPG
55-66	Y (8 CYL.) (EXC. 396)	3719599	1	1.75	PLATE (4 ATTACH. HOLES-ONE LARGE SLOT)
67-81	Y (327, 350)	3719599	1	1.75	PLATE (4 ATTACH. HOLES-ONE LARGE SLOT)
59-66	Y (8 CYL.)	3751842	2	.36	SCREW, W/LW (5/8"-16 X 1 1/8") (WASHER HD)
65-69	Y	3874876	2	.36	SCREW, W/LW (3/8-16 X 1 1/8)
72-81	Y (350)	3895411	2	.35	SCREW, W/LW (3/8"-16 X 1 7/16")
72-74	Y (454)	3874876	2	.36	SCREW, W/LW (3/8-16 X 1 1/8)
82	Y	376878	1	2.55	STUD, FUEL PUMP OPG CVR (4.866)
66-82	Y	9782628	AR	.28	WASHER (.318 X .625 X .031 ALUM RUB COAT)

3.904 GASKET, Fuel Pump Mounting					
55-82	Y	3705044	1	.35	GASKET, MT. PLT (4 ATTACH. HOLES-ONE LARGE SLOT)
55-81	Y (8 CYL.)	9778706	1	.26	GASKET, MT. FLANGE (2 ATTACH. HOLES-ONE SMALL SLOT)

3.935 ROD, Fuel Pump					
55-81	Y (8 CYL.)	3704817	1	4.60	ROD (1/2" DIA. X 5 3/4" LONG)

3-SPEED MANUAL TRANSMISSION

4.027 RETAINER-RING-SEAL-WASHER, Transmission Shift Control Shaft					
65-69	Y	3841725	1	.87	RETAINER, CONT SHIFTER LVR SHAFT
69-70	Y W/T.W.	7804907	1	1.00	RING, SUPT AND SHIFT TUBE RET
74-78	Y	5696537	2	2.35	SEAL, TRANS SHFT LVR SHF OIL (6.525)
69-70	Y (EXC. T.W.)	7832112	1	.98	WASHER, SHIFT TUBE THRUST

4.054 BUSHING-ROD-SWITCH-SWIVEL, Transmission Safety Starting Switch					
89-70	Y	3954290	1	.38	BUSHING, CLU OPERATED NEU START SW
89-70	Y	3954299	1	2.95	ROD, CLU OPERATED NEU START SW
69-70	Y	1993495	1	20.10	SWITCH, CLU OPERATED NEU START
68-70	Y	348032	AR	1.95	SWIVEL, CONT ROD

4.081 MOUNTING, Transmission Mounting					
NOTE 1: 3 3/4 BETWEEN CENTER LINES OF BOLT HOLES.					
63	Y	3913498	1	9.75	MOUNTING, (NOTE 1)
54-70	Y	3913498	1	9.75	MOUNTING, SUPT

4.356 NUT -RETAINER, Transmission Main Drive Gear Bearing					
53-65	Y	591150	1	5.50	NUT (1 3/8-12 L.H. THREAD)
58-62	Y	3741458	1	14.30	RETAINER (CAST 3741458) (4 11/16 O.D. X 3 3/16 O.L.)
63	Y	604932	1	12.75	RETAINER (4 3/16 O.D. X 3 3/16, W/4 HOLES 5/16 DIA.)
64-85	Y	3741458	1	14.30	RETAINER (CAST 3741458) (4 11/16 O.D. X 3 3/16 O.L.)
66-70	Y	3859032	1	16.50	RETAINER (4 3/4 O.D. X 3 1/4 O.L.)

4-SPEED MANUAL TRANSMISSION

4.027 GATE-INTERLOCK-RETAINER-RING-SEAL-SPRING-WASHER, Transmission Gearshift Shaft					
71-79	Y W/T.W., TEL. WHL.	7811592	1	3.75	GATE, STRG COL GEARSHIFT LVR
64-81	Y	3646845	1	3.05	INTERLOCK, CONT REV LVR
64-81	Y	3841725	1	.87	RETAINER, CONT SHIFTER LVR SHAFT
69-79	Y W/T.W., TEL. WHL.	7804907	1	1.00	RING, SUPT AND SHIFT TUBE RET
76-79	Y	5696537	2	2.35	SEAL, SHIFT LVR SHF OIL (6.525)
71-79	Y (EXC. T.W., TEL. WHL.)	7810587	1	2.20	SPRING, STRG COL TUBE RTN LWR
69-78	Y (EXC. T.W., TEL. WHL.)	7832112	1	.98	WASHER, SHIFT TUBE THRUST

4.047 BRACKET, Transmission Control Cable					
82	Y	14038660	1	4.45	BRACKET, T.V. CONT CBL

4-SPEED MANUAL TRANSMISSION

4.054 BUSHING-ROD-SWITCH-SWIVEL-WIRE, Transmission Safety Starting Switch

NOTE 1: ANTI-THEFT SWITCH MOUNTED IN FENDER.

NOTE 2: ANTI-THEFT SWITCH MOUNTED IN SIDE DOOR LOCK.

89-79	Y	3954290	2	38	BUSHING, CLU OPER NEU START SW
89-81	Y	3954299	1	2.95	ROD, CLU OPER NEU START SW
89-81	Y	1993495	1	20.10	SWITCH, CLU OPER NEU START
85-87	Y	348032	1	1.95	SWIVEL, CONT 3RD AND 4TH
85-87	Y W/H.D. 4-SPD.	348032	1	1.95	SWIVEL, CONT ROD
88-78	Y	348032	AR	1.95	SWIVEL, CONT ROD
74-77	Y (1ST DESIGN)	6297662	1	9.25	WIRE, NEU SAF SW (NOTE 1)
77-78	Y (2ND DESIGN)	12005383	1	33.50	WIRE, NEU SW AND B/U LP JPR (NOTE 2)

4.081 MOUNT, Transmission Mounting

NOTE 1: 3 3/4 BETWEEN CENTER LINES OF BOLT HOLES.

83	Y	3913498	1	9.75	MOUNT, (NOTE 1)
84-81	Y	3913498	1	9.75	MOUNT

4.356 LOCK-NUT -RETAINER, Transmission Main Drive Gear Bearing

NOTE 1: WHEN USING 3915020, USE 4 EACH 186678 BOLTS(3/BX16X1) IN PLACE OF PRESENT ONES.

NOTE 2: 1979 1ST DESIGN MUNCIE, 1979 2ND DESIGN WARNER.

63-74	Y W/MUNCIE	3849937	LH	1.00	LOCK, RET BOLT
63-74	Y W/MUNCIE	3849938	RH	.81	LOCK, RET BOLT
63-74	Y W/MUNCIE	591150	1	5.50	NUT (1 3/8-12 L.H. THREAD)
57-82	Y	3709331	1	21.60	RETAINER (4 11/16 O.D. X 3 3/16 O.L.) (FORGED T89 B-6)
63	Y	604932	1	12.75	RETAINER (4 3/16 O.D. X 3 3/16, W/4 HOLES 5/16 DIA.)
64-74	Y W/MUNCIE	3915020	1	19.75	RETAINER (NOTE 1)
74-79	Y (M20, M21) W/SP. H/PER.	360808	1	31.75	RETAINER
75-79	Y (M20) (EXC. SP. H/PER.) (1ST DESIGN)	3859032	1	16.50	RETAINER, MAIN DR GR BRG (MUNCIE) (NOTE 2)
79	Y (M20) (EXC. SP. H/PER.) (2ND DESIGN)	360808	1	31.75	RETAINER (NOTE 2)
80-81	Y (M18)	360808	1	31.75	RETAINER

AUTOMATIC TRANSMISSION (1968 - 1982)

4.027 GATE-RING-SPRING-WASHER, Transmission Shift Control Lever

71-79	Y W/T.W., TEL. WHL.	7811592	1	3.75	GATE, STRG COL GEARSHIFT LVR
89-79	Y W/T.W., TEL. WHL.	7804907	1	1.00	RING, SUPT AND SHIFT TUBE RET
88-82	Y	3859791	1	1.35	SPRING, CONT LVR LWR
71-79	Y (EXC. T.W., TEL. WHL.)	7810567	1	2.20	SPRING, STRG COL SHIFT TUBE RTN LWR
89-78	Y (EXC. T.W., TEL. WHL.)	7832112	1	.98	WASHER, SHIFT TUBE THRUST

4.047 BRACKET-CABLE-PIN-PLATE-SPRING-WASHER, Transmission Shift Control Cable

68-78	Y (M40)	9788709	1	4.20	BRACKET, CONT CABLE MT
77-81	Y	367913	1	4.55	BRACKET, CONT CABLE
82	Y	14030184	1	1.20	BRACKET, CONT CBL
82	Y	14038660	1	4.45	BRACKET, T.V. CONT CBL
68-78	Y	3958079	1	25.50	CABLE
77-82	Y	357746	1	25.75	CABLE
68-78	Y	9779340	1	1.80	PIN, CONT CABLE SEL LVR (1/4 X 21/64)
79-82	Y	10005139	1	1.25	PIN, CONT CABLE (METRIC THD)
68-77	Y	3926278	1	1.15	PLATE, CONT CABLE SEAT RET TAPPING
74-82	Y	334961	1	.45	SPRING, CONT CABLE RET OR YOKE (4 681)
77-82	Y	3718496	1	.28	WASHER, CONT CABLE (0.662)

4.054 SWITCH, Transmission Safety Starting Switch

68-72	Y	3948538	1	24.95	SWITCH, NEU
73	Y	6273357	1	18.70	SWITCH, NEU SAF, BACKING LP, SEAT BELT WRNG
74-82	Y	470108	1	16.30	SWITCH, NEU SAF & BK LP

4.081 MEMBER-MOUNT, Transmission Mounting

82	Y	14038295	1	53.50	MEMBER, SUPT CR
68-77	Y (M40)	3872247	1	11.15	MOUNT (ORANGE PAINT MARKING)
76-79	Y	3913498	1	9.75	MOUNT
80-82	Y	14018920	1	9.75	MOUNT

AUTOMATIC TRANSMISSION (1953 - 1967)

4.027		SPRING, Transmission Control Lever		
65-87	Y	3859791	1	1.35 SPRING, CONT LVR, LWR
4.054		SWITCH-SWIVEL, Transmission Control Safety		
62	Y	1993556	1	31.15 SWITCH
65-87	Y	1993411	1	41.65 SWITCH (ALSO BACK-UP LAMP)
63-64	Y	3947382	1	1.80 SWIVEL, CONT SAF AND BACK-UP LP SW ROD
4.081		MOUNTING, Transmission Mounting		
NOTE 1: 3 3/4 BETWEEN CENTER LINES OF BOLT HOLES				
63	Y	3913498	1	9.75 MOUNTING, (NOTE 1)

BRAKES

4.625		PEDAL, Brake Pedal		
NOTE: FOR FLOOR PAN OPENING SEAL SEE GROUP 0.829.				
68-73	Y W/A.T.	3923669	1	15.35 PEDAL
68-73	Y W/M.T.	3921649	1	16.30 PEDAL
74-79	Y W/A.T.	346338	1	16.90 PEDAL
74-81	Y W/M.T.	346336	1	16.90 PEDAL
80-82	Y W/A.T.	14020845	1	16.90 PEDAL

4.626		BUSHING-SPACER, Brake Pedal		
64-82	Y	14004821	AR	.57 BUSHING, BRK AND CLU PEDAL (0.831)
67-75	Y (2ND DESIGN) (EXC. P.B.)	3908768	1	.35 BUSHING, RTN SPRING
76-82	Y	3908768	1	.35 BUSHING, RTN SPRING
58-81	Y	529323	1	.83 SPACER, STEEL TUBING (7/16 I.D. X 2 3/8 O.L.)
82	Y	14030818	AR	1.75 SPACER, STEEL TUBING (7/16"ID X 2 3/8"LONG)

4.630		COVER-PAD -PLATE, Brake and Clutch Pedal		
NOTE 1: PART NUMBER APPEARS ON THESE PARTS.				
68-62	Y (EXC. P.G.)	3884850	1	1.35 COVER
68-67	Y W/P.G.	3881784	1	1.35 COVER, BRK
83-87	Y	3988198	1	1.30 COVER, CLU
83-87	Y (EXC. P.B., P.G.)	3988198	1	1.30 COVER, BRK
63-87	Y W/SP. PER. (EXC. P.G.)	3988198	1	1.30 COVER, BRK
68-79	Y W/A.T.	3888882	1	2.00 COVER, BRK PED PAD
68-79	Y W/M.T.	3921648	AR	1.75 COVER, BRK AND CLU PED PAD
80-82	Y W/A.T.	3994495	1	1.85 COVER, BRK PED PAD
80-82	Y W/M.T.	3993614	1	1.25 COVER, BRK PED PAD
80-81	Y W/M.T.	14009148	1	2.30 COVER, CLU PED
66-67	Y (EXC. PROD. P.B.)	3857980	AR	3.10 PAD (RUBBER 3 1/2 X 1 7/8 OVERALL)
68-72	Y W/A.T.	3888883	1	2.20 PLATE, CVR TR
68-72	Y W/M.T.	3923315	1	2.95 PLATE, CVR TR

4.634		REINFORCEMENT-RETAINER-SHAFT-WASHER, Brake Pedal		
77-82	Y	14016001	1	12.22 REINFORCEMENT, HSG
63-82	Y	3828428	1	.54 RETAINER, BRK OR CLU PED SHF
63-81	Y	3828427	1	1.70 SHAFT
80-82	Y	3905589	2	.25 WASHER, BRK PED HSG(7.347)

4.760		SPRING, Brake Pull Back		
64-82	Y	3849615	1	.77 SPRING, PARK BRK LVR RTN
67-82	Y	3921856	1	.54 SPRING, PEDAL RTN

6.606		BOLT-BRACE-BRACKET-BRACKET KIT-SPACER-STUD-WASHER, Steering Pump Mounting		
68-75	Y	9430724	1	1.00 BOLT, PUMP MT BRKT TO SUPT (3/8-16 X 3 3/4)
71-82	Y	3828039	2	.36 BOLT, PUMP MT BRKT TO SUPT (5/8-18 X 1 3/4)
77	Y	331248	1	.33 BOLT, PUMP BRACE TO ENG (3/8-16 X 15/16) (300M)
65-69	Y (396, 427)	3946000	1	14.80 BRACE
70-74	Y (454) (EXC. H.D.)	3946000	1	14.80 BRACE
65-68	Y (427)	3946002	1	16.05 BRACKET
70-74	Y (454)	3946002	1	16.05 BRACKET
74-82	Y	3928493	1	9.70 BRACKET KIT, W/SUPT
77-79	Y (EXC. A.C.)	3983422	1	.67 SPACER, PIV BRKT (42X.68" STL)
80-82	Y	3983422	1	.67 SPACER, PUMP (42X.68" STL)
63-79	Y	5889548	2	1.05 STUD (3/8-16 X 1 1/2)
80-82	Y	7831388	1	2.55 STUD
59-82	Y	502308	AR	.30 WASHER (13/32 X 3/4 X 1/8)

3.655 GUARD-NUT-PULLEY-WASHER, Steering Pump

NOTE: IN SOME CASES DOUBLE GROOVE PULLEYS MAY BE USED IN PLACE OF SINGLE GROOVE PULLEYS.

NOTE 1: 1977 1ST DESIGN, NO 2ND DESIGN.

65-66	Y	W/A.C., 62 AMP.	3890478	1	4.10	GUARD, BELT
67-69	Y	(FXC. 427)	3890478	1	4.10	GUARD, BELT
70-77	Y	(350)	3890478	1	4.10	GUARD, BELT (NOTE 1)
63-75	Y		3824475	1	59	NUT, PULLEY (9/16-18)
63-68	Y	(327)	3770509	1	14.40	PULLEY (5 47/64 O.D.)
65-68	Y	(327) W/SP. H/PER., HYD. LIFTEPS (EXC. A.C.)	3834720	1	22.80	PULLEY.
65	Y	(398)	3878245	1	44.75	PULLEY (6 1/2 O.D.)
66-69	Y	(427) (EXC. H.D.)	3878245	1	44.75	PULLEY (6 1/2 O.D.)
65-70	Y	(350) (EXC. SP. H/PER., A.C.)	3834720	1	22.80	PULLEY.
69-74	Y	(350) W/A.C.	3770509	1	14.40	PULLEY (5 47/64 O.D.)
70	Y	(350) W/SP. H/PER.	3834720	1	22.80	PULLEY.
70	Y	(454) W/H/PER. (EXC. A.C.)	3878245	1	44.75	PULLEY (6 1/2 O.D.)
70	Y	(454) W/H.D.	3878245	1	44.75	PULLEY (6 1/2 O.D.)
71-74	Y	(EXC. 454, A.C.)	3834720	1	22.80	PULLEY.
71-74	Y	(454)	3878245	1	44.75	PULLEY (6 1/2 O.D.)
75-82	Y		14023175	1	14.35	PULLEY (5 23/32 O.D.) 1 GROOVE
66-69	Y	(EXC. 427, H/PER.)	11504247	2	28	WASHER, BELT GUARD (3/8 I.D. X 17/32 O.D.)
70-77	Y	(350)	11504247	2	28	WASHER, BELT GUARD (3/8 I.D. X 17/32 O.D.)

7.828 FILLER-GUARD-REINFORCEMENT, Bumper Guard

73-74	Y		334751	LH	7.50	FILLER, FRT BPR GUARD REINF
73-74	Y		334752	RH	7.50	FILLER, FRT BPR GUARD REINF
58-69	Y		377313	LH	55.00	GUARD, BPR FRT
68-69	Y		377314	RH	55.00	GUARD, BPR FRT
70-72	Y		3963127	LH	55.00	GUARD, BPR FRT
70-72	Y		3963128	RH	55.00	GUARD, BPR FRT
73-74	Y		331829	LH	26.50	REINFORCEMENT, FRT BPR GUARD
73-74	Y		331830	RH	26.50	REINFORCEMENT, FRT BPR GUARD

7.831 BAR-BAR KIT-BUMPER-COVER-FILLER-MEMBER-NUT-REINFORCEMENT-RETAINER-STRIP, Bumper Face

68-80	Y		3739385	LH	158.00	BAR, FRT
61-62	Y		3782291	LH	158.00	BAR, FRT
63-67	Y		3797231	LH	153.00	BAR, RR
63-67	Y		3797232	RH	153.00	BAR, RR
63-67	Y		3797337	LH	171.00	BAR, FRT
63-67	Y		3797338	RH	171.00	BAR, FRT
68-72	Y		3974008	1	143.00	BAR, FRT (Z-SHAPED BUMPER GUARD BRKT)
73-74	Y		327625	1	78.00	BAR, FRT
75-79	Y		362949	1	104.00	BAR, ENERGY ABS FRT
77-79	Y		371435	1	218.00	BAR, RR BPR IMPACT OTR (USED WITH BAR KIT 432277)
80-82	Y		14007091	1	104.00	BAR, ENERGY ABS FRT
80-82	Y		14028581	1	87.75	BAR, RR BPR IMPACT
75-76	Y	(1ST DESIGN 1976)	352703	1	313.00	BAR KIT, RR BPR IMPACT (1 PIECE CONSTRUCTION)
76-79	Y	(2ND DESIGN 1976)	462277	1	311.00	BAR KIT, RR BPR IMPACT INR (USED W/OTR BAR 371435)
68-73	Y		3922069	LH	114.00	BUMPER, RR
68-73	Y		3922070	RH	114.00	BUMPER, RR
80-82	Y		14041156	1	215.00	COVER, FRT ENERGY ABS BAR
80-82	Y		14041157	1	420.00	COVER, RR BPR IMPACT BAR
73-74	Y		331872	1	9.80	FILLER, FRT FACE BAR
74	Y		342263	LH	3.65	FILLER, RR BPR IMPACT BAR INR
74	Y		342264	RH	3.65	FILLER, RR BPR IMPACT BAR INR
68-72	Y		3954508	1	47.25	MEMBER, FRT BPR CROSS
79-82	Y		22516030	AR	.33	NUT, HWH THREAD FORMING (M6.3X1.81)
75-76	Y		339125	1	13.85	REINFORCEMENT, RR BPR IMPACT BAR
75-79	Y		347930	1	114.00	REINFORCEMENT, FRT BPR IMPACT BAR
76-79	Y		368329	LH	6.15	REINFORCEMENT, FRT BPR OTR
76-79	Y		368330	RH	6.15	REINFORCEMENT, FRT BPR OTR
80-82	Y		14018859	LH	3.25	REINFORCEMENT, FRT BPR FACIA
80-82	Y		14018860	RH	3.25	REINFORCEMENT, FRT BPR FACIA
75-82	Y		1605396	AR	.55	RETAINER (.250X0.450 PUSH-IN .700 TRUSS HD)
76-79	Y		368619	LH	4.20	STRIP, FRT BPR OTR (RUB)
76-79	Y		368620	RH	4.20	STRIP, FRT BPR OTR (RUB)

7.832 COVER-RETAINER-STRIPE-TAPE, Bumper

NOTE 1: (URETHANE) PAINT AS REQUIRED.

NOTE 2: RETAINERS 481053 T/W 481054 T/W 481136 REPLACE 1ST DESIGN RETAINER ASM.

NOTE 3: THREE-PIECE CONSTRUCTION.

NOTE 4: NO DEPRESSION FOR BODY NAME PLATE.

73-74	Y		6263697	1	208.00	COVER, FRT
74	Y		339195	1	488.00	COVER, RR (NOTE 1)
76-79	Y		346495	1	191.00	COVER, FRT BAR
76-79	Y		380000	1	477.00	COVER, RR (NOTE 4)
73-79	Y		331843	LH	3.50	RETAINER, FRT BAR CVR
73-79	Y		331844	RH	3.50	RETAINER, FRT BAR CVR
74	Y		331839	1	6.95	RETAINER, E/A FRT BAR CVR UPR
74-76	Y		331840	1	10.85	RETAINER, E/A FRT BAR CVR LWR
74-79	Y		339123	LH	6.70	RETAINER, RR BPR CVR (OTR)
74-79	Y		339124	RH	6.70	RETAINER, RR BPR CVR (OTR)
74-79	Y		468185	LH	4.15	RETAINER, RR BPR IMPACT BAR CVR CTR (UPR)
74-77	Y		468186	RH	4.15	RETAINER, RR BPR IMPACT BAR CVR CTR (UPR)
74-79	Y		468186	RH	4.15	RETAINER, RR BPR CVR (UPR)
75-77	Y (2ND DESIGN 1978)		481053	LH	5.30	RETAINER, E/A FRT CVR UPR OTR (NOTE 2, 3)
75-77	Y (2ND DESIGN 1978)		481054	RH	5.30	RETAINER, E/A FRT CVR UPR OTR (NOTE 2, 3)
75-77	Y (2ND DESIGN 1978)		481136	1	5.45	RETAINER, E/A FRT CVR UPR CTR (NOTE 2, 3)
80-82	Y		14011841	LH	5.30	RETAINER, E/A FRT BAR CVR LWR
80-82	Y		14011842	RH	5.30	RETAINER, E/A FRT BAR CVR LWR
80-82	Y		14011843	LH	4.90	RETAINER, E/A FRT BAR CVR UPR QTR
80-82	Y		14011844	RH	4.90	RETAINER, ENERGY ABS FRT BAR CVR UPR QTR
80-82	Y		14011845	1	4.90	RETAINER, ENERGY ABS FRT BAR CVR LWR
80-82	Y		14011847	LH	5.45	RETAINER, RR BPR IMPACT BAR CVR
80-82	Y		14011848	RH	5.45	RETAINER, RR BPR IMPACT BAR CVR
81-82	Y		14030194	1	32.00	STRIPE, FRT BPR FASCIA(BLUE-25A)
81-82	Y		14030196	1	32.25	STRIPE, FRT BPR FASCIA(RED-77A)
81-82	Y		14030197	1	32.25	STRIPE, FRT BPR FASCIA(GRAY-83A)
81-82	Y		14030198	1	14.85	STRIPE, RR BPR FASCIA(BLUE-25A)
81-82	Y		14030200	1	14.30	STRIPE, RR BPR FASCIA(RED-77A)
81-82	Y		14038241	1	14.55	STRIPE, RR BPR FASCIA(GRAY-83A)
82	Y		14045947	1	4.15	STRIPE, RR LIC PLT PKT UPR(DK BEIGE)
82	Y07		14045943	LH	4.95	STRIPE, FRT BPR FASCIA LWR(DK BEIGE)
82	Y07		14045944	RH	4.95	STRIPE, FRT BPR FASCIA LWR(DK BEIGE)
82	Y07		14045945	1	14.95	STRIPE, FRT BPR FASCIA UPR(DK BEIGE)
82	Y07		14045946	1	10.25	STRIPE, RR BPR FASCIA UPR(DK BEIGE)
82	Y07		14045948	1	3.30	STRIPE, RR LIC PLT PKT LWR(DK BEIGE)
78	Y W/ACNT STRIPE (D88) , B2Z		473261	1	26.50	TAPE, FRT ACNT STRIPE (SVL MET, GRAY MET)
78	Y W/ACNT STRIPE (D88) , B2Z		473262	1	12.45	TAPE, RR ACNT STRIPE (SVL MET, GRAY MET)
78	Y W/ACNT STRIPE (D88) , Z78		476265	1	26.50	TAPE, FRT ACNT STRIPE (RED, SILVER)
78	Y W/ACNT STRIPE (D88) , Z78		476266	1	12.45	TAPE, RR ACNT STRIPE (RED, SILVER)

**7.833 BUMPER-DEFLECTOR-GROMMET-NUT-RETAINER-SEAL-WASHER,
Bumper to Body**

NOTE 1: PAINT TO MATCH.

68-81	Y		3782180	AR	.45	BUMPER, USED AS FRONT BUMPER FACE BAR VALANCE ASM. SPACER (RUBBER-1/2 DIA.) (8.024)
78-79	Y W/D75		14009716	1	137.00	DEFLECTOR, FRT BPR AIR CTR (NOTE 1)
78-79	Y W/D75		14009717	LH	74.25	DEFLECTOR, FRT BPR AIR OTR (NOTE 1)
78-79	Y W/D75		14009718	RH	74.25	DEFLECTOR, FRT BPR AIR OTR (NOTE 1)
78-79	Y		371429	1	.59	GROMMET, RR BPR INR
64-78	Y		3945694	AR	1.40	NUT, SPR. (.040-.090 PNL) (5/16-18 X 1/2 PC)
78	Y		3063100	4	.37	NUT, W/WASHER, FRT BPR AIR DEFL QTR (10.527)
80-82	Y		14011846	1	8.20	RETAINER, RR BPR FASCIA CTR
80-82	Y		14016186	2	3.80	RETAINER, FRT BPR AIR CTR DFL
68-80	Y		3739338	4	4.15	SEAL, RR FACE BAR BRACE TO BODY
68-72	Y		3947927	2	.85	SEAL, FRT BPR BRACE
73-79	Y		331842	2	.64	SEAL, FRT BPR BRACE
79-82	Y		3813432	2	.33	WASHER, RAD FAN SHRD

7.836

BRACE-EXTENSION-PLATE-ROD-SUPPORT, Bumper

58-62 Y	3739313 LH	8.35	BRACE, FRAME TO BPR, INR
58-62 Y	3739314 RH	8.35	BRACE, FRAME TO BPR, INR
58-62 Y	3739325 LH	15.35	BRACE, FRAME TO BPR, OTR
58-62 Y	3739326 RH	15.35	BRACE, FRAME TO BPR, OTR
63-64 Y	3848213 LH	22.40	BRACE, FRAME TO BPR, FRT, CTR
63-64 Y	3848214 RH	20.00	BRACE, FRAME TO BPR, FRT, CTR
63-67 Y	3848217 LH	8.85	BRACE, FRAME TO BPR, FRT, OTR
63-67 Y	3848218 RH	8.85	BRACE, FRAME TO BPR, FRT, OTR
63-67 Y	3848219 LH	35.25	BRACE, FRAME TO BPR, FRT, INR
63-67 Y	3848220 RH	35.25	BRACE, FRAME TO BPR, FRT, INR
63-67 Y	3848221 LH	4.60	BRACE, OTR
63-67 Y	3848222 RH	2.90	BRACE, OTR
63-67 Y	3848225 LH	2.90	BRACE, INR, UPR
63-67 Y	3848226 RH	2.90	BRACE, INR, UPR
65-67 Y	3866405 LH	20.00	BRACE, FRAME TO BPR, BPR, CTR
65-67 Y	3866406 RH	20.00	BRACE, FRAME TO BPR, BPR, CTR
68 Y	3914257 LH	9.65	BRACE, FRAME TO BPR, FRT, OTR
68 Y	3914258 RH	9.65	BRACE, FRAME TO BPR, FRT, OTR
68-73 Y	3932943 LH	4.75	BRACE, RR OTR
68-73 Y	3932944 RH	5.95	BRACE, RR OTR
68-73 Y	3937055 2	9.90	BRACE, INR, FRT LH AND RH
68-72 Y	3937057 LH	6.50	BRACE, INR, RR
68-72 Y	3937058 RH	4.75	BRACE, INR, RR
68-72 Y	3980824 1	35.25	BRACE, CTR, FRT
69 Y	3958795 LH	13.55	BRACE, FRT BPR OTR
69 Y	3958796 RH	13.55	BRACE, FRT BPR OTR
70-72 Y	3964157 LH	14.15	BRACE, FRT OTR
70-72 Y	3964158 RH	14.15	BRACE, FRT OTR
73-74 Y	327663 LH	10.85	BRACE, FRT BPR OTR
73-74 Y	327664 RH	10.85	BRACE, FRT BPR OTR
73 Y	331865 2	2.90	BRACE, RR BPR INR RR LH AND RH
74-75 Y	342233 2	8.70	BRACE, RR BPR IMPACT BAR
75-79 Y	368331 LH	10.20	BRACE, ABS FRT BAR OTR
75-79 Y	368332 RH	10.20	BRACE, ABS FRT BAR OTR
80-82 Y	14007089 LH	24.25	BRACE, E/A FRT BAR OTR
80-82 Y	14007090 RH	24.25	BRACE, E/A FRT BAR OTR
68-69 Y	3922078 RH	3.15	EXTENSION, FRT BPR OTR BRKT
68-72 Y	3932845 LH	2.80	EXTENSION, FRT C/MBR BRKT
68-72 Y	3932846 RH	2.80	EXTENSION, FRT C/MBR BRKT
68-72 Y	3958797 LH	11.80	EXTENSION, FRT BPR TO FRAME
68-72 Y	3958798 RH	11.80	EXTENSION, FRT BPR TO FRAME
70-72 Y	3964159 2	2.95	EXTENSION, FRT OTR BRACE
73-74 Y	327661 2	4.25	EXTENSION, FRT BPR BAR OTR
73-74 Y	342234 1	389.00	EXTENSION, FRT BAR TO FRAME
75-79 Y	345471 1	389.00	EXTENSION, FRT BAR TO FRAME
75-79 Y	347931 1	11.40	EXTENSION, FRT BAR
80-82 Y	14028559 1	216.00	EXTENSION, E/A FRT BAR TO FRAME
80-82 Y	10005229 2	4.15	PLATE, RR BPR STUD
68-73 Y	331864 2	2.75	ROD, RR BPR
72-73 Y	331867 LH	2.50	ROD, RR BPR OTR
72-73 Y	331868 RH	2.50	ROD, RR BPR OTR
73 Y	334797 LH	2.20	ROD, FRT BPR EXT BR
73 Y	334798 RH	2.20	ROD, FRT BPR EXT BR
58-60 Y	3739331 LH	8.35	SUPPORT, GUARD BRKT
58-60 Y	3739332 RH	8.35	SUPPORT, GUARD BRKT

**7.840 ABSORBER-BOLT KIT-BRACKET-CUSHION-RETAINER-
RIVET-SHIM-SPACER-STRIP-SUPPORT-WASHER; Bumper Energy
Absorber**

NOTE 1: WHEN USED IN PLACE OF 359991 FOR 1975-76, IT IS NECESSARY TO REDRILL THE REAR ATTACHING HOLE .22 REARWARD.

NOTE 2: 1ST DESIGN NOT AVAILABLE; FOR 2ND DESIGN SEE GRP 7.832.

NOTE 3: FOUR PIECE CONSTRUCTION CONSISTS OF 470857-470660.

75-78 Y	22017310	2	N.L.	ABSORBER, RR
80-82 Y	22017199	2	40.05	ABSORBER, RR
74-75 Y	339118	1	22.40	BOLT KIT, ENERGY ABS FRT AND RR
75-79 Y	492376	2	1.80	BRACKET, FRT BPR ABS
80-82 Y	525739	2	3.75	BRACKET, RR BPR ABS
75-79 Y	362952	1	107.00	CUSHION, FRT BUMPER ABS
80-82 Y	3842913	1	2.45	CUSHION, ENERGY ABS FRT BAR EXT (STEEL & RUBBER) (9.023)
80-82 Y	3842914	1	1.05	CUSHION, ENERGY ABS FRT BAR EXT (9.023) (RUBBER)
80-82 Y	14008996	1	109.00	CUSHION, ENERGY ABS FRT BAR
74-75 Y	273365	AR	.33	RETAINER, FRT AND RR CPR IMPACT BAR CVR
75-79 Y	355325	1	10.35	RETAINER, ENERGY ABS FRT BAR CVR LWR
77-79 Y (3RD DESIGN)	470657	LH	4.90	RETAINER, ENERGY ABS FRT BAR CVR UPR OTR (NOTE 2, . . 3)
77-79 Y (3RD DESIGN)	470658	RH	4.90	RETAINER, ENERGY ABS FRT BAR CVR UPR OTR (NOTE 2, . . 3)
77-79 Y (3RD DESIGN)	470659	LH	2.60	RETAINER, ENERGY ABS FRT BAR CVR UPR CTR (NOTE 2, . . 3)
77-79 Y (3RD DESIGN)	470660	RH	2.60	RETAINER, ENERGY ABS FRT BAR CVR UPR CTR (NOTE 2, . . 3)
74 Y	187992	8	.28	RIVET, RR BPR IMPACT BAR CVR REINF
75-78 Y	371420	2	1.05	SHIM, ENERGY ABS FRT BAR OTR CUSH
75-78 Y	3899215	1	.54	SPACER, ENERGY ABS FRT BAR (4.790)
80-82 Y	14011489	LH	16.90	STRIP, RR BPR IMPACT BAR
80-82 Y	14011490	RH	16.90	STRIP, RR BPR IMPACT BAR
75-79 Y	462278	1	31.25	SUPPORT, W/CUSHIONS, RR BPR IMPACT BAR CVR (NOTE 1)
73-81 Y	3818180	2	.40	WASHER, ABS FRT BAR TO BRACE (.453 PL; (0.002)
80-81 Y	3916493	4	.37	WASHER, ENERGY ABS FRT BAR BR (5.418)

8.131 EXTENSION, Front Fender Panel

61-62 Y	3779240	1	5.20	EXTENSION, ON HDLP
68-72 Y	3927664	RH	6.65	EXTENSION, UPR PNL FRT REINF
68-74 Y	3965781	LH	191.00	EXTENSION,
68-74 Y	3965782	RH	191.00	EXTENSION,

8.141 BONDING STRIP-CABLE-REINFORCEMENT-RETAINER, Front Fender

NOTE 1: ON 1962 MODELS, CUT AS REQUIRED.

NOTE 2: WHEN USING 3976468 IN PLACE OF 3918508, REWORK UPR. FRT. FLANGE AS REQD.

NOTE 3: WHEN USING IN PLACE OF 331807 LH OR 331808 RH BONDING STRIP DEALERS WILL BE REQUIRED 0882 GILD UP APPROX. 1 SQ. INCH AT FRT. CORNER.

63-67	Y	3797477	LH	5.50	BONDING STRIP, LWR FRT TO GRILLE PNL
63-67	Y	3797478	RH	5.50	BONDING STRIP, LWR FRT TO RAD GRILLE LWR PNL
63-67	Y	3797479	LH	13.90	BONDING STRIP, LWR TO FRT LWR RR
63-67	Y	3797480	RH	13.90	BONDING STRIP, LWR TO FRT LWR RR
63-67	Y	3849213	LH	33.25	BONDING STRIP, FRT UPR TO FRT LWR
63-67	Y	3849214	RH	33.25	BONDING STRIP, FRT UPR TO FRT LWR
68-72	Y	3976465	LH	6.80	BONDING STRIP, LWR TO RAD GRILLE LWR PNL
68-72	Y	3976468	RH	6.60	BONDING STRIP, LWR TO RAD GRILLE LWR PNL (NOTE 2)
68-72	Y	3996841	LH	33.25	BONDING STRIP, FRT UPR TO FRT LWR
68-72	Y	3996842	RH	33.25	BONDING STRIP, FRT UPR TO FDR LWR
73-82	Y	14015287	LH	25.75	BONDING STRIP, FRT UPR TO FDR LWR (NOTE 3)
73-82	Y	14015288	RH	25.75	BONDING STRIP, FDR UPR TO FDR LWR (NOTE 3)
78-82	Y	476231	2	2.85	CABLE, UPR
73-79	Y	331853	LH	4.15	REINFORCEMENT, LWR FRT LWR
73-79	Y	331854	RH	4.15	REINFORCEMENT, LWR FRT LWR
78-82	Y	476229	LH	1.70	REINFORCEMENT, UPR PNL
78-81	Y	476230	RH	1.70	REINFORCEMENT, UPR PNL
80-82	Y	14015229	LH	6.45	RETAINER, FRT FDR LWR
80-82	Y	14015230	RH	6.45	RETAINER, FRT FDR LWR

8.143 SCREW -WASHER, Front Fender

53-69	Y	3650059	20	.35	SCREW (NO. 14-10 X 3/4")
65-77	Y	3704579	AR	.30	WASHER, SKIRT (9/32 I.D. X 1 1/8 O.D. X 3/64 THICK) (STEEL)
80-81	Y	3958325	4	.57	WASHER, FRT WHL HSE PNL

8.155 EXTENSION-REINFORCEMENT-RETAINER, Fender Wheelhouse

73-79	Y	331877	LH	2.55	EXTENSION, UPR PNL FRT REINF
73-79	Y	331878	RH	2.55	EXTENSION, UPR PNL FRT REINF
63-67	Y	3797424	RH	23.15	REINFORCEMENT, SKIRT
68-82	Y	14015248	RH	4.85	REINFORCEMENT, SKIRT
69-82	Y	14015247	LH	4.85	REINFORCEMENT, SKIRT
73-74	Y	331831	LH	4.85	REINFORCEMENT, LWR FRT UPR
73-74	Y	331832	RH	4.85	REINFORCEMENT, LWR FRT UPR
75-79	Y	368639	LH	5.25	REINFORCEMENT, LWR FRT, UPR
75-79	Y	368640	RH	5.25	REINFORCEMENT, LWR FRT, UPR
73-75	Y	331839	1	6.95	RETAINER, BPR FACE BAR CVR UPR
73-75	Y	331840	1	10.65	RETAINER, BPR FACE BAR CVR LWR

8.866 CLAMP-CONTROL-NIPPLE, Heater Water Flow

78	Y W/A.C.	3037389	1	.57	CLAMP, SPL HTR TUBE
73-79	Y	10007751	1	7.60	CONTROL, HTR COOLANT FLOW
55-82	Y	331987	1	2.55	NIPPLE, HTR TO THERM HSG HOSE, HTR TO INLET MANIF (1/2" 14 X 1 1/2")
64-82	Y	3849848	AR	1.75	NIPPLE, WATER PUMP HOSE (2 25/32 O.L.) (HOSE-5/8)

9.180 PULLEY -SCREW-WASHER, A.C. Compressor Drive

64-68	Y	5914745	1	84.80	PULLEY (W/5910717-0706-0741)
69	Y	6550750	1	N.L.	PULLEY (W/5910737-0738-0740)
70	Y (EXC. 454)	5914745	1	84.80	PULLEY (W/5910717-0706-0741)
70-73	Y (454)	6550750	1	N.L.	PULLEY (W/5910737-0738-0740)
73	Y (EXC. 454)	5914745	1	84.80	PULLEY (W/5910717-0706-0741)
74-76	Y	6551249	1	73.55	PULLEY, W/BRG
76-79	Y	6556717	1	18.85	PULLEY, RIM (5 1/2")
76-78	Y W/AXIAL CMPR	6550750	1	N.L.	PULLEY, W/BRG (5.0 IN. DIA. PULLEY)
76-82	Y W/RADIAL CMPR	6556715	1	12.35	PULLEY, RIM (4.60 DIA)
78	Y W/AXIAL CMPR	5914745	1	84.80	PULLEY, W/BRG (5.58 IN. DIA PULLEY)
75-82	Y W/RADIAL CMPR	6556658	6	.52	SCREW, PULLEY RIM MT
75-82	Y W/RADIAL CMPR	6556680	6	.52	WASHER, PULLEY RIM MT SCR

9.863

**BOLT-BRACKET-CAPACITOR-COVER-NUT-SCREW-SHIELD-
STRAP-SUPPORT, Radio Static Suppression**

70-76	Y	3728415	AR	.42	BOLT, WING (1/4-20 X 3/8) CHROME, USE TO ATTACHING SHIELD
74-77	Y	3921417	1	.50	BRACKET, RDO RCVR, LWR
65-62	Y	1852715	1	1.57	CAPACITOR, IGN COIL (.3 MF)
63-75	Y	1960957	1	2.59	CAPACITOR, VOLT REG. (.5 MFD.)
63-69	Y	3861562	1	3.45	CAPACITOR, DIR SIG
64-80	Y	3908187	1	5.75	CAPACITOR, BLO MOTOR
68-77	Y	3981556	1	4.10	CAPACITOR, STOP LAMP SW
70-75	Y	1852715	1	1.57	CAPACITOR, IGN COIL
79-82	Y	14005049	1	10.00	CAPACITOR, DIR SIG
68-71	Y	3923972	1	10.45	COVER, IGN SHIELD
72-75	Y	3986344	1	10.95	COVER, IGN SHIELD
58-77	Y	3730322	RH	.38	NUT, IGN LWR ("J" TYPE) (1/4"-20)
70	Y (8 CYL)	1846216	AR	4.24	SCREW, FREQUENCY INTERFERENCE SHIELD UNIT
71	Y (8 CYL)	1846216	AR	.25	SCREW, FREQUENCY INTERFERENCE SHIELD UNIT
66-69	Y (327, 350)	3980192	RH	8.40	SHIELD, IGN SI OTR RR
63-64	Y	3794444	RH	17.50	SHIELD, IGN LWR
63-67	Y	3839169	LH	23.75	SHIELD, IGN LWR
63-92	Y (EXC. 454)	381079	LH	15.15	SHIELD, IGN SI INR
63-79	Y (EXC. 454)	14034993	RH	14.55	SHIELD, IGN SI INR
63-67	Y (327)	3880997	LH	16.30	SHIELD, IGN SI OTR RR
65-67	Y	3906150	1	77.00	SHIELD, W/CLIP, IGN
65-67	Y (327)	3794444	RH	17.50	SHIELD, IGN LWR
68-69	Y (327)	351697	LH	16.70	SHIELD, IGN LWR
68-69	Y (327)	351698	RH	14.90	SHIELD, IGN LWR
68-69	Y (327)	3923969	LH	9.85	SHIELD, IGN SI OTR RR
70-77	Y (350)	351697	LH	16.70	SHIELD, IGN, LWR (CHROME PLTD)
70-77	Y (350)	351698	RH	14.90	SHIELD, IGN, LWR (CHROME PLTD)
70-79	Y (350)	3923969	LH	9.85	SHIELD, IGN, SI OTR RR
73-79	Y (350)	3980192	RH	8.40	SHIELD, IGN SI OTR RR
75-77	Y	351698	1	10.40	SHIELD, IGN, COIL AND DIST CVR
77-82	Y	14037640	1	27.50	SHIELD, RDO IGN (BLACK PLASTIC)
66-71	Y	6287160	1	4.45	STRAP, BCDY BRKT GROUND(2.341)
63-71	Y	2981859	1	1.95	STRAP, EXH SYS GROUND
63-64	Y	6287160	1	4.45	STRAP, BODY TO FRAME GROUND(2.341)
63-67	Y	6287160	1	4.45	STRAP, ACCEL LVR GROUND(2.341)
66-62	Y	6286800	AR	2.80	STRAP, RDO GRD (19")(2.341)
60-77	Y	3903410	1	2.00	STRAP, ANT GROUND
76-82	Y	6287160	1	4.45	STRAP, RDO GRD (10 1/2")(2.341)
63-64	Y	3819758	2	.65	SUPPORT, IGN SI OTR, RR SHIELD RR
63-64	Y	3819759	LH	.63	SUPPORT, IGN SI OTR, RR SHIELD FRT
63-73	Y (EXC. 454)	3819757	RH	.65	SUPPORT, IGN SI OTR, RR SHIELD FRT
65-67	Y	3886900	RH	7.75	SUPPORT, IGN SHIELD
65-69	Y (327)	3819758	2	.65	SUPPORT, IGN SI OTR, RR SHIELD RR
65-69	Y (327)	3819759	LH	.63	SUPPORT, IGN SI OTR, RR SHIELD FRT
68-69	Y	3923971	LH	1.70	SUPPORT, LWR
68-69	Y (327, 350, 454)	3923963	LH	3.15	SUPPORT, IGN SHIELD, COIL AND DIST
68-69	Y (327, 350, 454)	3923964	RH	3.15	SUPPORT, IGN SHIELD, COIL AND DIST
68-69	Y (427) (EXC. H.D.)	3923967	LH	10.20	SUPPORT, IGN SHIELD, COIL AND DIST
70-73	Y (EXC. 454)	3819758	2	.65	SUPPORT, IGN SI OTR, RR SHIELD RR
70-73	Y (EXC. 454)	3819759	LH	.63	SUPPORT, IGN SI OTR, RR SHIELD FRT
71-74	Y (454)	3923967	LH	10.20	SUPPORT, IGN SHIELD, COIL AND DIST
72-73	Y	3923963	LH	3.15	SUPPORT, IGN SHIELD, COIL AND DIST
72-73	Y	3923964	RH	3.15	SUPPORT, IGN SHIELD, COIL AND DIST
72-73	Y (EXC. H.D.)	3923967	LH	10.20	SUPPORT, IGN SHIELD, COIL AND DIST
72-73	Y (EXC. 427, 454)	3923971	LH	1.70	SUPPORT, LWR
73-79	Y (350)	3819757	RH	.65	SUPPORT, IGN SI OTR, RR SHIELD FRT
73-79	Y (350)	3819758	2	.65	SUPPORT, IGN SI OTR, RR SHIELD RR
73-79	Y (350)	3819759	LH	.63	SUPPORT, IGN SI OTR, RR SHIELD FRT
74	Y (350)	3923963	LH	3.15	SUPPORT, IGN SHIELD, COIL AND DIST
74	Y (350)	3923964	RH	3.15	SUPPORT, IGN SHIELD, COIL AND DIST
80-82	Y	14022180	RH	4.20	SUPPORT, RDO IGN SHLD SI INR RR

9.750 BRACKET-CABLE-CABLE KIT-COUPLING-FILTER-GEAR-SHAFT-TACHOMETER-WASHER, Tachometer

NOTE: FOR F.I. DISTRIBUTOR TACHOMETER DRIVE PARTS, SEE GROUP 3.340. ALSO SEE GROUP 2.374.

NOTE 1: CUT TO REQUIRED LENGTH.

NOTE 2: 2ND DESIGN HAS YELLOW NUMBERS FOR 1ST DESIGN SEE 5659226.

80	Y	14004096	1	.64	BRACKET, TACH FILTER
63-67	Y	6480367	1	12.15	CABLE, SPEEDO FLEX (LESS CASING) (9.750)
53-74	Y	6477499	1	N.L.	CABLE KIT, INCLUDES SHAFT AND TIP 70" LONG (NOTE 1)
62-74	Y	1955799	1	11.10	COUPLING, DIST TACH CROSS SHAFT BRG
75-82	Y	14020026	1	13.90	FILTER, TACH
80	Y (305H)	14022056	1	33.25	FILTER, TACH & SUPPRESSOR CLOOP MODULE NOISE
55-61	Y (8 CYL.)	1930852	1	17.25	GEAR, GEN TACH DRIVEN (46 TEETH)
55-61	Y (8 CYL.)	1930853	1	12.75	GEAR, GEN TACH DRIVE
62-74	Y	1955842	1	55.15	GEAR, DIST'R TACH CROSS SHAFT
55-57	Y (8 CYL. (EXC. F.I.))	6480370	1	11.55	SHAFT, CASING, FLEXIBLE
56-82	Y (EXC. F.I. W/H.L. CAM)	6480374	1	12.09	SHAFT, CASING, FLEXIBLE (68") (4.342)
62	Y	6480370	1	11.55	SHAFT/CABLE 40 1/4", CASING 39 1/2" (4.342)
68	Y	3928769	1	6.40	SHAFT, FLEXIBLE (19")
69-74	Y	25032874	1	11.10	SHAFT, W/CASING, TACH FLEX (525.0MM)
72-74	Y (350) (EXC. SP/H/PER.)	5657519	1	71.55	TACHOMETER
72-74	Y (350) W/SP. H/PER., A.C.	5657522	1	71.55	TACHOMETER
72-74	Y (454)	5657522	1	71.55	TACHOMETER
75-76	Y (EXC. SP. H/PER.)	8986119	1	297.00	TACHOMETER
75-77	Y (350) W/SP. H/PER. (EXC. A.C.)	5659047	1	194.00	TACHOMETER
75-77	Y (350) W/SP. H/PER., A.C.	5659048	1	194.00	TACHOMETER
77	Y (350) W/4BC	5659046	1	194.00	TACHOMETER
78-79	Y (EXC. SP. H/PER.)	5659215	1	173.00	TACHOMETER (5000)
78	Y W/SP. H/PER., A.C.	5659222	1	173.00	TACHOMETER (5300)
78	Y W/SP. H/PER. (EXC. A.C.)	5659226	1	173.00	TACHOMETER (5600)
79	Y W/SP. H/PER. (1ST DESIGN)	5659226	1	173.00	TACHOMETER (5600) (NOTE 2)
79	Y W/SP. H/PER. (2ND DESIGN)	5659859	1	173.00	TACHOMETER (NOTE 2)
80	Y (305)	5659892	1	173.00	TACHOMETER
80	Y (350) (EXC. SP. H/PER.)	5659842	1	173.00	TACHOMETER
80	Y (350) W/SP. H/PER	5659859	1	173.00	TACHOMETER
81	Y	5659842	1	173.00	TACHOMETER
82	Y	25054387	1	176.00	TACHOMETER
62-74	Y	1956834	1	.58	WASHER, DISTR TACH CROSS SHAFT GEAR
82	Y	8456751	3	.20	WASHER, TACH MT (3.108)

9.775 GROMMET-SEAL, Wiring and Pipes

NOTE: SOME GROMMETS MAY REQUIRE THE ADDITION OF HOLES.

53-80	Y	3918672	1	.81	GROMMET, TACH., SPEEDO. FLEX SHAFT, RUBBER (1 1/8" O.D. X 3/8" I.D.)
68-62	Y	3918672	1	.81	GROMMET, SW WIRING HARN AND SW (9/32")
60-62	Y	3708175	AR	.66	GROMMET, GAS TANK VENT PIPE HOSE, CHASSIS WIRING HARN, FLDG TOP WIRING HARN, LICENSE PLATE LAMP WIRE, GAS GAGE WIRE SPEEDO FLEX SHAFT (1/8")
63-67	Y	3838273	1	.98	GROMMET, OIL PRESS GAGE PIPE, WIPER SW WIRE AND VAC HOSE, RR WIRING HARN (2 1/8" OD-4 HOLES)
63-69	Y W/A.C.	332650	1	.36	GROMMET, INLET TUBE AT RAD SUPT (13/16" I.D.)
65-67	Y	3875822	1	1.05	GROMMET, SPEEDO AND TACH FLEX SHAFT
65-68	Y (396, 427) W/SP. H/PER.	3711345	AR	.44	GROMMET, SPARK PLUG WIRE
66-70	Y	409988	2	.26	GROMMET, IGN COIL
67	Y	3711345	AR	.44	GROMMET, PARK BRK CBL
68	Y	3918672	AR	.81	GROMMET, ANTI-THEFT ALARM SYSTEM HORN
68-76	Y	3918672	1	.81	GROMMET, PARK BRK CBL IN U/B, W/S/W NOZZLE HOSE
68-76	Y	3919057	1	.36	GROMMET, BODY WRG HARN
68-76	Y	6437746	2	1.08	GROMMET, BACKING LP WIRE, BODY WRG HARN (4.197)
69-81	Y	3697358	1	.66	GROMMET, U/B STOR COMPT LGT LEADS (RUBBER) (.64 HOLE)
70-82	Y	332650	1	.36	GROMMET, SPEEDO FLEX SHAFT
74-81	Y	3829698	AR	.38	GROMMET (RUB OD .84, ID .68, HOLE SIZE .09 LOCATION)
74-77	Y	3918672	2	.81	GROMMET, WSWA NOZ HOSE

9.775		GROMMET-SEAL, Wiring and Pipes		(Ccn't)	
75	Y W/A.C.	3027215	1	.33	GROMMET, EVAP INLET PIPE
76-82	Y	6264117	1	.57	GROMMET, SPL PARK BRK CBL IN U/B
79	Y W/ELEC DEFG	3979756	1	.66	GROMMET RR WDO DEFOG HARN
79	Y W/ELEC DEFOG	3979755	1	.66	GROMMET A.C. CNDSR TUBE
80-82	Y	3979758	1	.66	GROMMET, W/P WRG HARN
82	Y	1404325	2	.66	GROMMET, CLOSED LOOP HARN
76	Y	3008851	3	.56	SEAL, EVAP CORE TO CASE

9.988		LAMP-NUT-SOCKET, Luggage Compartment			
77-75	Y	912116	1	5.80	LAMP, SPA TIRE (2.700)
80	Y	913668	1	6.70	LAMP, SPA TIRE (2.700)
81-82	Y	912390	1	6.70	LAMP, SPA TIRE (2.700)
64-75	Y	3876130	AR	.35	NUT, W/GROMMET (NO. 10-24)
78	Y	8918527	1	7.55	SOCKET, SPA TIRE LAMP (2.714)

10.150 ARMATURE-BALL-BOARD-BOLT-BRUSH-CASE-COVER-DISC-GROMMET-HOLDER-MAGNET-MOTOR-RELAY-SCREW-SPRING-SWITCH-WASHER-WIRE, Windshield Wiper Motor

NOTE 1: CONSISTS OF MOTOR, SCREWS, NUTS, AND CONNECTOR BODY.

NOTE 2: TRANSFER GROUND CLIP FROM OLD MOTOR.

NOTE 3: MOTOR DOES NOT INCLUDE COVER & SWITCH ASM OR CRANK ARM.

68-82	Y	4980317	1	23.90	ARMATURE, MOTOR
78-82	Y	7002117	1	.08	BALL, MOTOR THRUST (.1875 DIA.) (3.825)
68-74	Y	4918882	1	1.83	BOARD, MOTOR TERM
75-82	Y	4980755	1	N.L.	BOARD, WSW MTR TERM & SWITCH
70-82	Y	4915881	2	.12	BOLT, MOTOR THROUGH
68-82	Y	4915872	2	.91	BRUSH, MOTOR
69-82	Y	4918810	1	25.50	CASE, W/FIELD, WSW MTR
78-82	Y	22010544	1	20.05	COVER, W/SW, WSW MTR
70-82	Y	4903698	1	.08	DISC, WSW MTR ARM THRUST(RUBBER)
70-82	Y	5092145	1	.07	DISC, WSW MTR ARM THRUST(STEEL)
75-82	Y	5092145	1	.07	DISC, WSW MTR ARM THRUST(STEEL)
68-82	Y	4918000	1	.12	GROMMET, MOTOR CASE
68-82	Y	4918718	1	4.42	HOLDER, WSW MTR BRUSH
73-74	Y	4919641	1	11.20	MAGNET, WSWA
68	Y	4918712	1	112.20	MOTOR (NOTE 1)
69-72	Y	4919437	1	83.95	MOTOR (NOTE 1)
73	Y	4918342	1	83.95	MOTOR (NOTE 2)
74-82	Y	4980974	1	N.L.	MOTOR (NOTE 3)
63-67	Y	4904339	1	16.75	RELAY, MOTOR
68-71	Y	3989214	1	8.80	RELAY, WSWA (9.277)
69-82	Y	4906744	1	.12	SCREW, WSW MTR END PLAY ADJ. (1/4"-28 X 7/8")
68-82	Y	4915593	AR	.08	SCREW, SWITCH MT (NO. 10-32 X 7/8")
68-71	Y	4913805	AR	.73	SPRING, MOTOR BRUSH, DR WDO ELEC MOTOR BRUSH
71-82	Y	4900364	2	.09	SPRING, MOTOR BRUSH
68-74	Y	4919647	1	9.50	SWITCH, WSWA MOTOR
70-82	Y	5093788	1	.08	WASHER, WSW MTR(FELT)
75-82	Y	5093788	1	.08	WASHER, WSW MTR FELT
79	Y (EXC PULSE WIPER)	12005639	1	11.05	WIRE, TIME DELAY JPR (3-WAY CONN)
79	Y (EXC PULSE WIPER)	12005640	1	11.05	WIRE, TIME DELAY JPR (6-WAY CONN)

10.152 GASKET-GROMMET-PLATE-REINFORCEMENT, Windshield Wiper Motor

63-82	Y	9832955	1	.62	GASKET, MTR TO DASH
68-82	Y	4911142	AR	.73	GROMMET, W/SPACER
68-73	Y	22009636	1	.52	GROMMET, W/GROUND STRAP, WSW MTR
75-82	Y	22009636	1	.52	GROMMET, W/GROUND STRAP, WSW MTR
68-82	Y	4651976	1	13.85	PLATE, W/PULLEY
68-79	Y	3918599	1	1.80	REINFORCEMENT

10.155 CLIP-SPRING CLIP-TEE, Windshield Washer

74-76	Y	1488359	1	.72	CLIP, HDLP, WASHER AND VAPOR CANISTER VAC HOSE
77-81	Y	467306	1	.72	CLIP, HDLP WSWA & VAPOR CANISTER VAC HOSE
68-78	Y	9793032	1	1.80	SPRING CLIP, STEEL (.312 X .468 CLEAR BLACK) (2.765)
68-82	Y	1477536	1	.77	TEE, SPRAY CONN 1/8 LINE AND TAKE-OFF (NYLON)
63-64	Y W/A.C.	1477536	1	.77	TEE, VAC CONT SW HOSE
65-67	Y	338013	1	2.25	TEE, WSWA CHECK VLV (3/8-18 PIPE THD. 1 1/4 HOSE TAKE-OFF (3.278)

10.275 LENS-SHIELD-SUPPORT-SWITCH, Instrument Panel Compartment Lamp

68-76	Y	3880976	1	1.70	LENS, RR COMPT LP
78-82	Y	14001504	1	2.20	SHIELD, LP
68-77	Y	3935929	1	.52	SUPPORT, CTSY LP
68	Y	3952485	1	3.50	SWITCH, ST SEPARATOR COMPT
69-76	Y	3952485	1	3.50	SWITCH, RR STOR COMPT
78-82	Y	1254990	1	1.40	SWITCH, I/P COMPT LP

10.485 ACTUATOR-BRACKET-CONTACT-HARNESS-REINFORCEMENT-SWITCH, Door Electric and Vacuum Locks

NOTE 1: COURTESY LAMP TIMER MOUNTED BEHIND THE INSTRUMENT PANEL AND LEFT OF THE STEERING COLUMN.

NOTE 2: COURTESY LAMP TIMER MOUNTED BEHIND THE INSTRUMENT PANEL AND RIGHT OF THE GLOVE BOX.

78-82	Y	22020256	AR	N.L.	ACTUATOR
78-82	Y	4995711	AR	1.08	BRACKET, ACTUATOR
77-82	Y	20351245	LH	10.85	CONTACT, LK CYL ANTI-THEFT
81-82	Y	20351244	RH	10.85	CONTACT, LK CYL ANTI-THEFT
78	Y	12005475	1	57.25	HARNESS, PWR DR LK OTR
78	Y (1ST DESIGN)	12005386	1	58.50	HARNESS, JUMPER (NOTE 1)
78	Y (2ND DESIGN)	12005555	1	58.50	HARNESS, INR (NOTE 2)
78	Y W/ELEC AUTO DR LK	12005385	LH	37.75	HARNESS, ELEC DR LK SW W/MOTOR
79	Y	12005531	RH	52.50	HARNESS
79	Y	12005532	LH	52.50	HARNESS
80-82	Y	12005837	LH	52.50	HARNESS, PWR DR LK & PWR WDO
80-82	Y	12005838	RH	52.50	HARNESS, PWR DR LK & PWR WDO
80-81	Y	20043207	2	.71	REINFORCEMENT, PWR DR LK CONT SW
82	Y	20043207	2	.71	REINFORCEMENT, SI WDO SW
78-82	Y	20086382	2	28.25	SWITCH

10.551 PAWL -RETAINER, Door Outside Lock Cylinder

NOTE 1: ANTI-THEFT SWITCH MOUNTED IN DOOR.

NOTE 2: ANTI-THEFT SWITCH MOUNTED IN FENDER.

69-80	Y	3961314	RH	.94	PAWL (B&S 320442)
69-77	Y (1ST DESIGN 1977)	3961313	LH	.94	PAWL (B&S 320443) (NOTE 2)
77-82	Y (2ND DESIGN 1977)	475925	LH	.70	PAWL (B&S 320895) (NOTE 1)
78	Y	7040173	RH	1.30	PAWL (B&S 320723)
78	Y	7040174	LH	1.30	PAWL (B&S 320724)
81-82	Y	14048378	RH	.70	PAWL (B&S 320894)
67	Y	4755272	2	.98	RETAINER, LK CYL
70-81	Y	9728247	2	1.20	RETAINER, ANTI-THEFT SW

10.661 PLUG-REGULATOR, Door Ventilator

76-78	Y	3756953	2	.28	PLUG, DR PNL(0.854)
83-84	Y37	3824805	LH	25.00	REGULATOR
83-84	Y37	3824806	RH	25.00	REGULATOR
83-84	Y67	9704600	RH	31.25	REGULATOR
83-84	Y67	9704601	LH	31.25	REGULATOR
85-87	Y	9704600	RH	31.25	REGULATOR
85-87	Y	9704601	LH	31.25	REGULATOR

10.777 CLIP-REINFORCEMENT-SWITCH-WIRE, Door Window

NOTE: FOR CONNECTORS SEE GROUP 13.100.

58-69	Y	4154886	AR	.57	CLIP, DR SW RET
78-82	Y	20062965	2	.68	REINFORCEMENT, DR ELEC LK SW (2 BUTTON)
63-67	Y	4434589	1	21.85	SWITCH
68-82	Y	1725109	2	20.65	SWITCH, DR WDO CONT
79-80	Y (EXC ELEC DR LK AU3)	12005581	LH	36.00	WIRE, PWR WDO
79-82	Y (EXC ELEC DR LK AU3)	12016024	RH	36.00	WIRE, PWR WDO
81-82	Y (EXC ELEC DR LK AU3)	12016023	LH	36.00	WIRE, PWR WDO

10.778 CONDUIT-PLUG, Door

68-81	Y W/ELEC WDO	12004902	2	7.25	CONDUIT, WDO REG WIRING HARN
78-80	Y	12004902	LH	7.25	CONDUIT, ANTI-THEFT CONT SW WIRE
81	Y (1ST DESIGN)	12004902	2	7.25	CONDUIT, WDO REG WRG HARN (ROUND SHAPE)
81-82	Y (2ND DESIGN 1981)	1029588	2	7.25	CONDUIT, DOOR ELEC WRG (OVAL SHAPE)
74-77	Y W/A.T.	4768119	AR	.33	PLUG, CLU PED PUSH ROD DA

10.783 HOUSING-MOTOR -PIN-REGULATOR -ROLLER-SHAFT-WASHER, Front Door Window Regulator

NOTE 1: WHEN USING REGULATORS 9714134, 9714135, 20085640, 20085641 WITH MOTORS 4999676 AND 4999680, REFER TO THE FISHER BODY SERVICE MANUAL FOR METHOD OF ATTACHMENT. (MOTOR MAY BE DESIGNATED OR STAMPED OPPOSITE TO USAGE, DUE TO OTHER VEHICLE USAGE IN PREVIOUS YEARS.) REFER TO OLD PART AS GUIDE FOR REPLACEMENT.

68-80	Y (EXC ELEC WDO)	3945241	LH	9.00	HOUSING, REG REM SHAFT (W/BUILT-IN BRONZE BUSHING)
68-80	Y (EXC ELEC WDO)	3945242	RH	9.00	HOUSING, REG REM SHAFT (W/BUILT-IN BRONZE BUSHING)
56-77	Y W/ELEC WDO	4999678	LH	N.L.	MOTOR (SQUARE) (NOTE 1)
56-77	Y W/ELEC WDO	4999680	RH	N.L.	MOTOR, (NOTE 1)
78-82	Y W/ELEC WDO	22010459	RH	76.83	MOTOR, (NO. 1)
78-82	Y W/ELEC WDO	22010460	LH	113.94	MOTOR, (NOTE 1)
74-77	Y (EXC ELEC WDO)	443147	2	.65	PIN, REG (REMOTE SHAFT) (3/16 X 7/8)
59-62	Y (EXC ELEC WDO)	3757685	LH	54.35	REGULATOR (MANUAL)
59-62	Y (EXC ELEC WDO)	3757686	RH	45.00	REGULATOR (MANUAL)
63-67	Y (EXC ELEC WDO)	3797291	LH	39.25	REGULATOR (MANUAL)
63-67	Y (EXC ELEC WDO)	3797292	RH	39.25	REGULATOR (MANUAL)
68-79	Y (EXC ELEC WDO)	9714097	RH	45.00	REGULATOR (MANUAL)
68-79	Y (EXC ELEC WDO)	9714097	LH	37.23	REGULATOR (MANUAL)
68-82	Y W/ELEC WDO	20085640	RH	75.25	REGULATOR, (NOTE 1)
68-82	Y W/ELEC WDO	20085641	LH	75.25	REGULATOR, (NOTE 1)
75-77	Y	3069189	AR	.81	ROLLER, SWIVEL WDO REG
68-80	Y (EXC ELEC WDO)	3921580	2	3.65	SHAFT, REG
74-77	Y (EXC ELEC WDO)	3782158	2	.44	WASHER, DR WDO REG REMOTE SHF (4.037)

11.927 BRACKET-HOUSING-PLATE-REFLECTOR, Dome and Reading Lamp

78-82	Y	471988	RH	.53	BRACKET, CTSY LP
74-82	Y	6270493	1	2.00	HOUSING,
74-75	Y	339629	1	1.05	PLATE, RR COMPT LP MT
63-67	Y	4826802	AR	17.70	REFLECTOR
69-73	Y	4826802	AR	17.70	REFLECTOR, W/SOC, SI RF RAIL, RR COMPT LP, RR COMPT CTSY LP

11.928 LENS, Courtesy Dome and Reading Lamp

68	Y37	3926436	2	4.80	LENS
74-82	Y	336201	1	.68	LENS, RR COMPT CTSY LP

11.950 SWITCH, Courtesy Lamp

63-67	Y	3843463	1	2.50	SWITCH, FRT COMPT LP (W/3/8" THTREAD)
68-75	Y	3928753	2	2.95	SWITCH, COURTESY LP AND KEY WARNING
68-72	Y	3929804	AR	2.75	SWITCH, DR AJAR WARNING LP
69-74	Y	3929804	AR	2.75	SWITCH, HOOD OPEN WARNING
73-76	Y	3258295	2	1.70	SWITCH, DR AJAR WARNING LAMP
75-78	Y	982504	LH	1.95	SWITCH, F/D JAMB (TWO CIRC)
75-76	Y	3892506	LH	1.95	SWITCH, CTSY LP & KEY WRNG (ONE CIRC)
75-82	Y	982506	PH	2.60	SWITCH, COURTESY LP
77-82	Y	459391	1	2.70	SWITCH, DR AJAR WARNING LP

12.840 BRACE-EXTENSION-GUSSET-PILLAR-PLATE-REINFORCEMENT-SCREW-STRIP-SUPPORT, Front Body Hinge Pillar

NOTE 1: WHEN USING IN PLACE OR 3908189-3919637-38-39, 392134 CUT AND ADD HOLES AS REQUIRED.

68-75	Y67 W/A.C.	3947940	1	16.40	BRACE, U/B TO BODY HINGE PLR GUSSET
63-82	Y	3824485	2	.40	EXTENSION, PILLAR SUPT RR (NOTE 1)
68-72	Y37	468188	RH	2.50	GUSSET, PLR TO W/S FRM LWR
68-72	Y37	3942729	LH	2.20	GUSSET, PLR TO W/S FRM LWR
73-82	Y	468188	RH	2.50	GUSSET, PLR TO W/S FRM LWR
73-82	Y	3942729	LH	2.20	GUSSET, PLR TO W/S FRM LWR
68-82	Y	3042747	LH	11.60	PILLAR
68-82	Y	3042748	RH	11.60	PILLAR
68-82	Y	14033459	LH	60.00	PILLAR, INR
68-82	Y	14033459	RH	60.00	PILLAR, INR
68-76	Y	6258	2	.57	PLATE, W/WIRE, DR AJAR WARN LP SW MT
70	Y	3974011	R	.59	REINFORCEMENT, INSTR PNL BODY HINGE (10.230)
65-66	Y	3834926	1	.36	SCREW, HINGE PLR TO W/S FRM RED (2.729)
73-82	Y	327689	LH	5.65	STRIP, W/S LWR OTR FRM TO FRT FDR UPR BCND
73-82	Y	327690	RH	5.85	STRIP, W/S LWR OTR FRM TO FRT FDR UPR BOND
68-82	Y	3914541	LH	7.15	SUPPORT, PLR FRT
68-82	Y	3914542	RH	7.15	SUPPORT, PLR FRT
73	Y	14030124	AR	22.80	SUPPORT, BODY LK PLR BRACE

13.090 CLIP-HARNESS-WIRE, Body Wiring

NOTE 1: ANTI-THEFT SWITCH MOUNTED IN FENDER.

NOTE 2: ANTI-THEFT SWITCH MOUNTED IN DOOR LOCK.

NOTE 3: COURTESY LAMP TIMER MTD BEHIND THE INSTRUMENT PANEL AND LEFT OF THE STEERING COLUMN.

NOTE 4: COURTESY LAMP TIMER MTD BEHIND THE INSTRUMENT PANEL AND RIGHT OF THE GLOVE BOX.

NOTE 5: WHEN ANTI THEFT SWITCH IS IN DOOR LOCK, P/N'S 12007858 WIRE ASM AND 8916559 HARNESS ASM MUST BE USED TOGETHER.

68-82	Y		3923961	2	.38	CLIP, HARN TO RKR PIN W/H CUP
68-77	Y		3935510	3	.38	CLIP, HARN TO U/B A/D TO COWL SI PNL
80-82	Y		14020033	4	.35	CLIP, BODY WRG HARN
63-67	Y	W/ELEC WDO	2986102	1	43.75	HARNESS, WDO REG WRG
68	Y		6295248	1	213.00	HARNESS, BODY WRG
67	Y		6297545	1	232.00	HARNESS, BODY WRG
70-74	Y	W/ELEC WDO	8901971	1	84.00	HARNESS, WDO REG WRG
75-78	Y	W/ELEC WDO	12003864	1	125.00	HARNESS, WDO REG WRG
77-78	Y		8916559	1	125.00	HARNESS, WDO REG WRG (NOTE 5)
78	Y		12005323	1	258.00	HARNESS, BODY WRG
78	Y	W/ELEC. WDO. (1ST DESIGN)	12005377	1	125.00	HARNESS, WRG WDO REG (NOTE 3)
78	Y	W/ELEC. WDO. (2ND DESIGN)	12005552	1	84.00	HARNESS, WRG WDO REG (NOTE 4)
79	Y	(EXC. ELEC. DEFG.)	12005323	1	258.00	HARNESS, BODY WRG
79	Y	W/ELEC. DR. LK.	12005531	RH	52.50	HARNESS, ELEC DR LK (10.485)
79	Y	W/ELEC. DR. LK.	12005532	LH	52.50	HARNESS, ELEC DR LK (10.485)
79	Y	W/ELEC. DEFG.	12005739	1	236.00	HARNESS, BODY WRG
80-82	Y		12005837	LH	52.50	HARNESS, PWR DR LK & PWR WDO (10.485)
80-82	Y		12005838	RH	52.50	HARNESS, PWR DR LK & PWR WDO (10.485)
80	Y	(EXC. ELEC. DEFG.)	12005832	1	258.00	HARNESS, BODY WRG
80-81	Y	W/ELEC DEFG (2ND DES)	12018385	1	236.00	HARNESS, BODY WRG (INTEGRAL TIMER & RELAY DEFG)
80	Y	W/ELEC. DEFG. (1ST DES)	12005833	1	236.00	HARNESS, BODY WRG (SEPARATE TIMER & RELAY DEFG)
82	Y		12016413	1	289.00	HARNESS, BODY WRG
77-78	Y		12007858	1	31.75	WIRE, SW JPR (NOTE 5)
79-80	Y	(EXC ELEC DR LK)	12005581	LH	56.00	WIRE, PWR WDO

13.095 BREAKER-LOGIC-RELAY-SWITCH, Body Harness

67-74	Y	W/ELEC. WDO.	4850188	1	6.80	BREAKER, ELEC WDO REG MTR CIRC
77-78	Y		2474055	1	3.30	BREAKER, ELEC WDO REG MTR CIRCUIT
78	Y	W/RR WIND DEFG	1478675	1	N.L.	BREAKER, ELEC WDO REG MTR CIRCUIT
79-82	Y		1252240	1	5.90	BREAKER, CIRCUIT (12V-30A)
79-81	Y		14005011	1	3.90	BREAKER, CIRC(12.5V-35A)
74-75	Y		9736651	1	52.75	LOGIC, IGN INTERLOCK SYSTEM
64-67	Y		7728428	1	11.35	RELAY, HDLP MOTOR ACTR
67	Y		7728426	1	11.35	RELAY, ELEC WDO POWER
68-78	Y	W/ELEC. WDO.	7729802	1	10.25	RELAY, ELEC
73	Y		3961573	1	6.15	RELAY, ST BELT WRN (4.075)
74-75	Y		1243384	1	15.50	RELAY, ST BELT INTERLOCK OVERRIDE
75	Y		494882	1	8.80	RELAY, ST BELT WRN AND PARK BRK
75	Y		9730851	1	16.30	SWITCH, ST BELT WRN