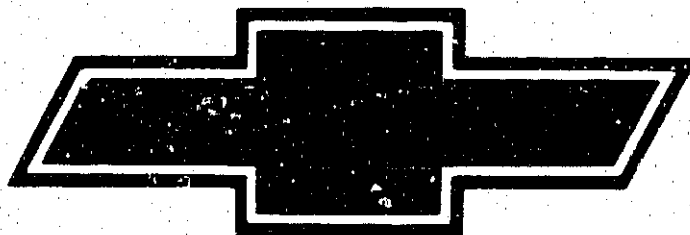


MICROFICHE INDEX
GROUPS 4.000 THRU 5.000
FICHE 3 OF 6

GROUP DESCRIPTION	STARTING GRID LOCATION	
	PARTS ILLUSTRATIONS	
- INTRODUCTION	A-6	I-2
- GENERAL INFORMATION	A-2	I-2
- ALPHABETICAL INDEX	C-11	N.A.
- INDEX FOR ADDITIONAL INFORMATION	A-5	N.A.
4.000 TRANSMISSION - BRAKES	E-2	I-6
5.000 BRAKES - REAR AXLE - PROPELLER SHAFT - WHEELS	H-7	L-19
- OUT OF FICHE CALLS	N.A.	N-16

A-1



CHEVROLET

1953-1982 CORVETTE PARTS AND ILLUSTRATION CATALOG

IMPORTANT

Passenger vehicles for 1976 thru 1982 contain many parts dimensioned in the metric system. These parts are very close in dimension to familiar customary measurements in the inch system. It is important that during any vehicle maintenance procedure, replacement fasteners have the same measurements as those removed, whether metric or customary. Mismatched or incorrect fasteners can result in vehicle damage or malfunction, or possibly personal injury.

Fastener sizes denoted on illustrations may not reflect metric dimensions. However, since the same vehicle may be built with metric or customary fasteners, care should be exercised in selecting replacement part equivalent to the original fasteners in dimensions, strength and pitch of thread. Both metric and customary fasteners required for replacement are listed in the Warehousing and Distribution Division Standard Parts Catalog.

A special Warehousing and Distribution Division label, saying "Metric Fasteners Required" in red letters, will be used to identify service parts which require metric fasteners but replace parts which originally used inch fasteners. This label will enable dealers and over-the-counter customers to quickly recognize parts which have changed to metric fasteners.

DECEMBER, 1983

WAREHOUSING AND DISTRIBUTION
DIVISION OF GENERAL MOTORS CORPORATION
FLINT, MICHIGAN 48554

CHEVROLET — 14A, PRINTED IN U.S.A.

CHEVROLET PARTS PUBLICATIONS

The Chevrolet Parts Catalog System is divided into the following publications.

NO.	TITLE
10	1976-1981 Chevrolet Catalog except Corvette
10A	1976-1981 Chevrolet Illustration Catalog except Corvette
11	Chevrolet Parts Catalog Model thru 1975 includes: 1965-1975 Passenger Car 1962-1975 Chevy II and Nova 1964-1975 Chevelle 1967-1975 Camaro 1971-1975 Vega and Monza
11A	Chevrolet Models thru 1975 Parts Illustration Catalog
12	1946-1964 Chevrolet Passenger Car Parts Catalog
14A	1953-1982 Chevrolet Corvette Parts and Illustration Catalog
14Y	1984 Chevrolet Corvette Parts and Illustration Catalog
15	1960-1969 Chevrolet Corvair Parts Catalog
16	Chevrolet Dealer Parts and Accessories Price Schedule
17W	1982-84 Chevrolet (B-G-T-X Body) (Including Illustrations)
17A	1982-84 Chevrolet (A Body) (Including Illustrations)
17J	1982-84 Chevrolet (J Body) (Including Illustrations)
17F	1982-84 Chevrolet (F Body) (Including Illustrations)
55A	Chevrolet LUV Truck (Series 1 thru 12)
72 TL	1946-1972 Chevrolet Series 10 thru 35 Truck Parts & Accessories Catalog
72 TM	1946-1972 Chevrolet Series 40-50-60 Truck Parts & Accessories Catalog
51A	1973-1978 Chevrolet Series 10 thru 35 Truck Parts & Accessories Catalog
78 TL-GR	1973-1978 Chevrolet Series 10 thru 35 Truck Parts Illustration Catalog
52A	1979-1984 Chevrolet Series 10 thru 30 Parts and Illustration Catalog (Except S Truck)
52S	1982-84 Chevrolet LT Truck (S Series) (Including Illustrations)
58A	1978-1984 Caballero Parts and Illustration Catalog
78 TM	1973-1978 Chevrolet Series 50-60-65 Truck Parts & Accessories Catalog
78 TM-GR	1973-1978 Chevrolet Series 50-60-65 Truck Parts Illustration Catalog
72 TH-70, 80	Chevrolet Heavy Duty Truck Parts Catalog for: 1966-1972 2½ Ton Series 70000 Trucks 1966-1973 3 Ton Series 80000 Trucks
72 TH-90	1970-1972 3½ Ton Series 90000 Trucks
78 TH	1973-1978 Series 70-80-90 Truck Parts & Accessories Catalog
78 TH-GR	1973-1978 Series 70-80-90 Truck Parts Illustration Catalog
82 TM-SC	1979-82 Series 50-60-70 Conv. Truck Parts Catalog
82 TM-PS	1979-82 Series 40 P Model Chassis Truck Parts Catalog
82 TM-SB	1979-82 Series 60 School Bus Chassis Parts Catalog
80 TM-TILT	1979-80 Series 60-70 Tilt Parts Catalog
82 TM-GR	1979-82 Series 50-60-70 Truck Illustration Catalog
82 TH-A & T	1979-82 Astro-Titan Truck Parts Catalog
82 TH-B & B	1979-82 Brigadier-Bruin Truck Parts Catalog
82 TH-BIG	1979-82 General & Bison Truck Parts Catalog
82 TH-GR	1979-82 Series 80-90 Illustration Catalog
M-SB	1983 School Bus Models (Not Illustrations)
M-SB-G	1983 School Bus Graphic Illustrations
M-SC	1983 Steel Conventional Models (Not Illustrations)
M-SC-G	1983 Steel Conventional Graphic Illustrations
H-AST	1983 Astro Models (Not Illustrations)
H-AST-G	1983 Astro Graphic Illustrations
H-BRG	1983 Brigadier Models (Not Illustrations)
H-BRG-G	1983 Brigadier Graphic Illustrations
H-GEN	1983 General Models (Not Illustrations)
H-GEN-G	1983 General Graphic Illustrations
89	English & Metric Standard Parts Service and Maintenance Products

CONTENTS

	GROUP
INTRODUCTION	—
GENERAL INFORMATION	—
ALPHABETICAL INDEX	—
ENGINE — CLUTCH	0.000
COOLING — GRILLE — OIL SYSTEM	1.000
CHASSIS WIRING — LAMPS	2.000
FUEL — EXHAUST — CARBURETION	3.000
TRANSMISSION — BRAKES	4.000
BRAKES — REAR AXLE — PROPELLER SHAFT — WHEELS	5.000
FRONT SUSPENSION — STEERING	6.000
FRAME — SPRINGS — SHOCKS — BUMPERS	7.000
FRONT END SHEET METAL — HEATER	8.000
BODY MOUNTING — AIR CONDITIONING — INSTRUMENT CLUSTER	9.000
DOORS — REGULATORS — WINDSHIELD — WIPER — WASHER	10.000
REAR GLASS — SEAT PARTS — ADJUSTER	11.000
BODY MOLDINGS — SHEET METAL	12.000
CONVERTIBLE TOP TRIM — BODY WIRING	13.000
CONVERTIBLE TOP HARDWARE — INTERIOR TRIM — SEAT BELTS	14.000
REAR SEAT TRIM — CARPETS — YARDAGE	15.000

INDEX FOR ADDITIONAL CORVETTE INFORMATION

The following identification or usage charts are located in the catalog as listed below: GRID

Body Number Plate	Page 8	1,2,3,4,5,6-A9
Model Identification	Page 9	1,2,3,4,5,6-A10
Engine Identification	Page 10	1,2,3,4,5,6-A11
V.I.N.	Page 17	1,2,3,4,5,6-A18
Axle Identification	Page 30	1,2,3,4,5,6-B4
Trim Combinations	Page 33	1,2,3,4,5,6-B7
Paint Color Charts	Page 35	1,2,3,4,5,6-B9
GM Production Options	Page 41	1,2,3,4,5,6-B15
Abbreviations	Page 64	1,2,3,4,5,6-N.A.
Alphabetical Index	Page 68	1,2,3,4,5,6-C11
Accessories	Page A-1	1-D9
Radiator Codes (follows Group 1.855)	Page 1-1C	1-F8
V-Belt Chart	Page 1-5C	1-F17
Spark Plug Wires	(follows Group 2.906)	1-I 2
Exhaust Charts	Page 3-1E	2-H2
E.G.R. Valve Conversion Chart	Page 3-1V	2-F13
Carburetor and Parts Usage	Page 3-1C	2-F20
Fuel Tank Meters	(follows Carburetor Chart)	2-G26
Speedometer Gear Usage	Page 4-1C	3-G8
Spring Usage	Page 7-1C	4-F14
Air Conditioning Fittings	Page 9-1C	5-E6
Seat Belts	Page 14-1C	6-F21
Wire Harness Tag # Chart (follows Seat Belts)	Page T-1	6-G9

INTRODUCTION

GM3

This Parts Catalog has been compiled for the purpose of locating, identifying, and ordering replacement parts. All data and specifications contained in this publication are based on the latest product information available at the time of printing. Warehousing and Distribution Division reserves the right to make changes at any time without notice in data, price, specifications, materials, material, and model. The "List Prices" shown are suggested prices only for sales to consumers.

Replacement parts are listed in this catalog under 16 major groups, as shown on the content page. Individual parts are assigned a Prime Group number, the first numeral of the group identifies the main unit it is affiliated with, and following the decimal is the Sub-Group number under which all parts of the same name and function are listed. For example, Group 0.519 Camshaft. The "0" denotes that it is an Engine Part, "519" the sub-group where all Engine Camshafts are listed. Related parts may also be found in the same group. Within each group, parts are listed by model year, vehicle series, part number, number used per vehicle or R.H.-L.H. designation, suggested list price, part name and description.

Parts may be used in different locations on the car requiring the listing of the part number in more than one group. When this "Cross Referencing" occurs, the prime group is shown in brackets i.e. (1.850) in the description column.

To locate a listing for a part, determine the model vehicle and refer to the group number identifying it, which may be determined by using any of the following methods.

- A. When the name of the part is known, consult the ALPHABETICAL INDEX, which lists parts by noun name and Group Number where part is listed.
- B. Reference may be made to the ILLUSTRATION CATALOG, where Group Numbers, noun names or part numbers are shown.
- C. When a part number is known and model application or a similar part is required, consult the DEALER PRICE SCHEDULE for the Group Number to locate the part in the Parts Catalog.

Parts having application or used with optional equipment are identified by Option Number or abbreviation of option. Familiarity with Option Numbers will assist in determining correct part required.

Complete identification for models and options listed in this catalog will be found preceding the alphabetical index.

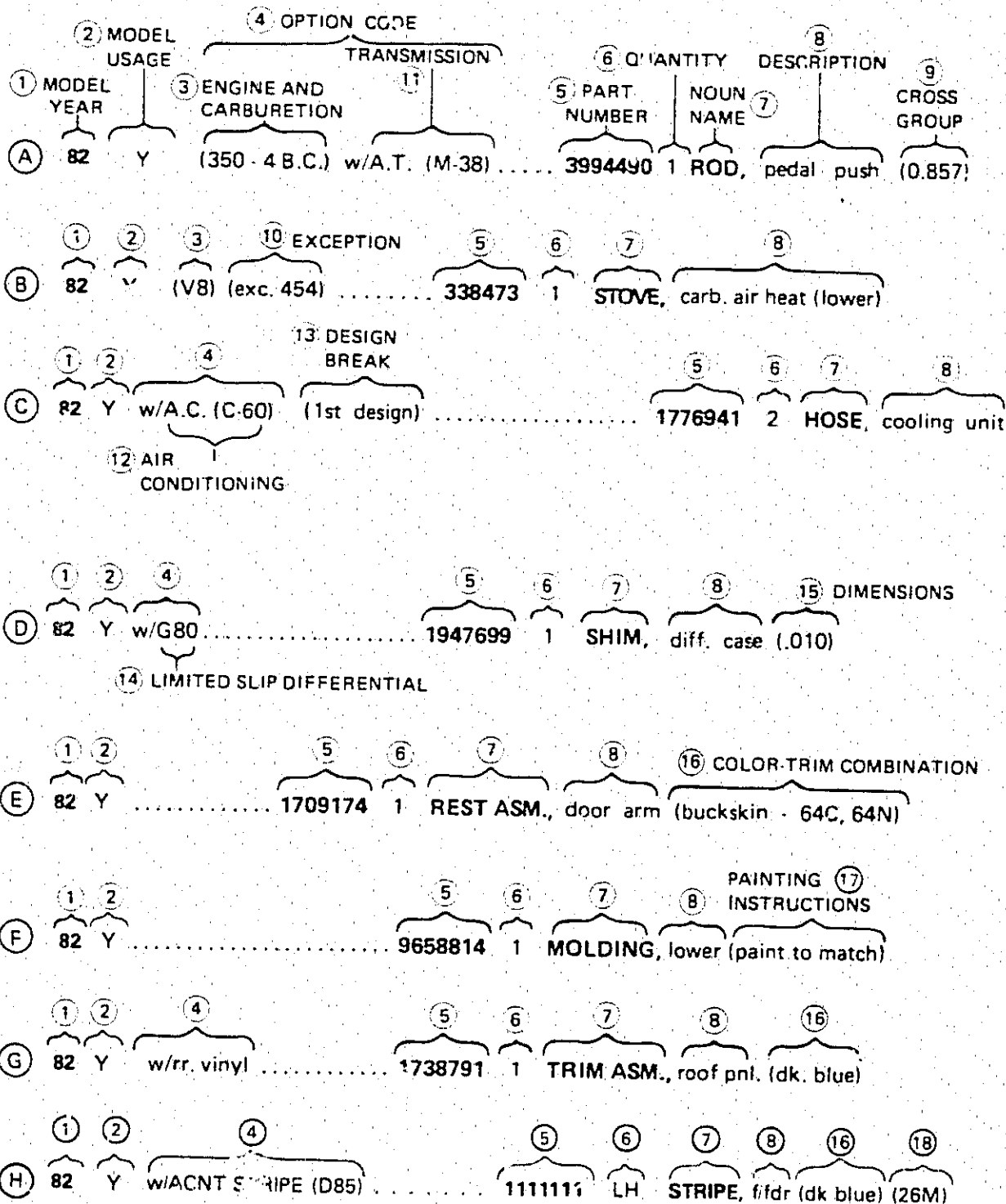
Service part numbers are assigned to individual parts that make up an assembly used in the production of models. Certain items may not be listed, such as short tubing parts or fuel lines that can be made up by dealers from bulk material or attaching parts may be included in packages with the major assembly and not listed separately.

Right Hand and Left Hand parts are so designated from the driver's position when seated in the car.

CHART A

CORVETTE CATALOG EXAMPLES

WHEN INTERPRETING MODEL USAGE, PLEASE REFER TO MODEL DESIGNATION CHARTS FOR SPECIFIC MODEL INTERPRETATION.



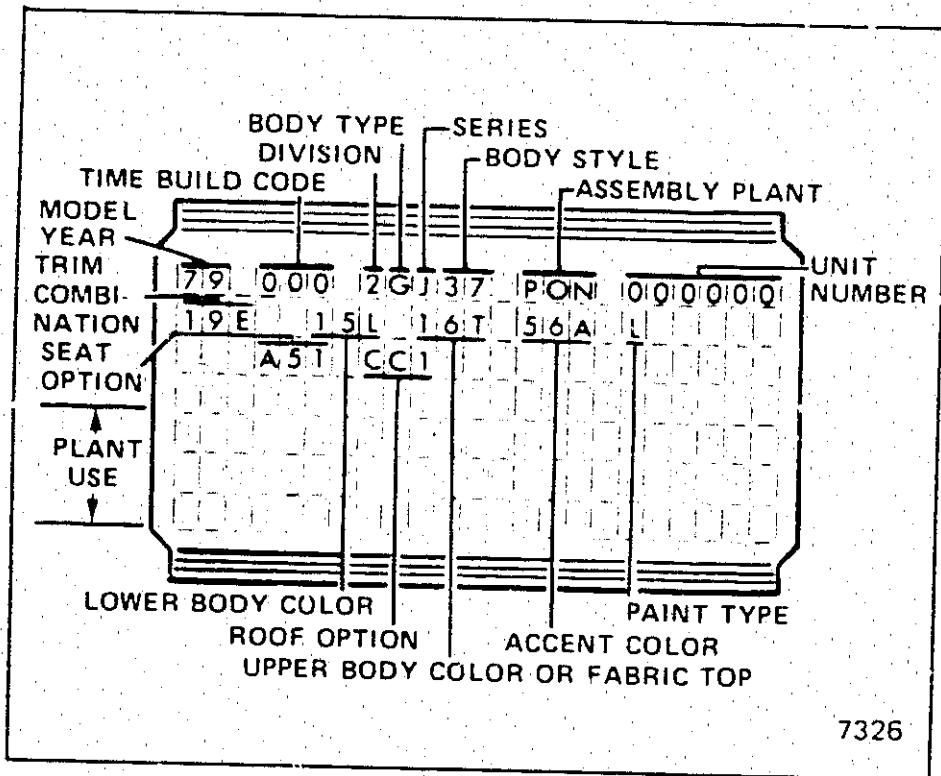
CORVETTE CATALOG

EXPLANATION OF TERMINOLOGY AS SHOWN ON CHART A.

- ① MODEL YEAR - SALES YEAR OF VEHICLE.
- ② MODEL USAGE - IN ORDER TO DETERMINE CORRECT MODEL USAGE USE THE ATTACHED MODEL DESIGNATION CHART. WHEN "ALL" APPEARS THIS INCLUDES ALL MODELS (A, B, F, H, T, X).
- ③ ENGINE AND CARBURETION - REFERENCE TO ENGINES WILL BE SHOWN IN CUBIC INCH DISPLACEMENT. IF REFERENCE HAS TO BE MADE TO SPECIFIC CARBURETION THIS WILL BE SHOWN IN PARENTHESIS WITH THE ENGINE DISPLACEMENT (SEE EXAMPLE A).
- ④ OPTION CODE - INDICATES ADDITIONAL USAGE OTHER THAN PRODUCTION STANDARD EQUIPMENT. IN MOST INSTANCES THE OPTION WILL BE SPELLED OUT (SEE EXAMPLE G). HOWEVER, THE OPTION CODES WILL BE USED FOR ENGINES, TRANSMISSIONS, AIR CONDITIONING, LIMITED SLIP DIFFERENTIAL AND NOX EMISSION SYSTEMS.
- ⑤ PART NUMBER - IDENTIFIES THE NUMBER ASSIGNED TO EACH PART.
- ⑥ QUANTITY - QUANTITY OF PARTS REQUIRED PER VEHICLE (AR MEANS AS REQUIRED).
- ⑦ NOUN NAME - ALL NOUN NAMES WILL BE SPELLED OUT AGAINST EVERY LINE OF MODEL APPLICATION.
- ⑧ DESCRIPTION - INCLUDES ALL ADDITIONAL DESCRIPTIVE INFORMATION NECESSARY TO DESCRIBE THE LOCATION OF THE PART ON THE VEHICLE.
- ⑨ CROSS GROUP - A CROSS GROUP IS SHOWN WHEN A PART IS LISTED IN A SECONDARY GROUP (SEE EXAMPLE A).
- ⑩ EXCEPTION - WILL BE USED ONLY WHEN MODELS OR OPTIONS ARE EXCLUDED (SEE EXAMPLE B).
- ⑪ TRANSMISSION - THE TRANSMISSION ABBREVIATION M.T. (MANUAL TRANS.) OR A.T. (AUTOMATIC TRANS.) WILL BE USED IN ALL INSTANCES WHERE THE PARTS APPLY TO ALL TYPES OF TRANSMISSIONS. WHEN THE MODEL APPLICATION MUST BE SPECIFIC TO A PARTICULAR TRANSMISSION, M.T. OR A.T. WILL BE USED ALONG WITH THE OPTION CODE (SEE EXAMPLE A).
- ⑫ AIR CONDITIONING - THE AIR CONDITIONING ABBREVIATION - A.C. WILL BE USED IN ALL INSTANCES WHERE THE PARTS APPLY TO ALL TYPES OF INSTALLATIONS. WHEN THE MODEL APPLICATION MUST BE SPECIFIC TO A PARTICULAR AIR CONDITIONING INSTALLATION, A.C. WILL BE USED ALONG WITH THE OPTION CODE (SEE EXAMPLE C).
- ⑬ DESIGN BREAK - WHEN PARTS ARE CATALOGED WITH A DESIGN CHANGE, THE DIFFERENCE WILL BE SHOWN EITHER AFTER THE OPTION COLUMN OR BY A NOTE (SEE EXAMPLE C).
- ⑭ LIMITED SLIP DIFFERENTIAL - THE LIMITED SLIP OPTION WILL ALWAYS BE WRITTEN (G-80) (SEE EXAMPLE D).
- ⑮ DIMENSIONS - ALL DIMENSIONS WILL BE SHOWN IN THE DESCRIPTION COLUMN. BOTH METRIC AND S.A.E. METHODS WILL BE USED WHERE APPLICABLE (SEE EXAMPLE D).
- ⑯ COLOR AND TRIM COMBINATIONS - COLOR AND TRIM COMBINATIONS WILL BE SHOWN TOGETHER IN THE SAME PARENTHESIS IN THE DESCRIPTION COLUMN (SEE EXAMPLE E).
- ⑰ PAINTING INSTRUCTIONS - THE PHRASE (PAINT TO MATCH) WILL BE SHOWN WHENEVER A PART HAS TO BE PAINTED BY THE DEALER (SEE EXAMPLE F).
- ⑱ STRIPE TRIM COMBINATIONS - "M, U, L" TRIM COMBINATIONS ON STRIPES WILL DESIGNATE THE BODY TRIM CODE WITH WHICH THE STRIPE IS USED. "A" IN THE TRIM CODE DESIGNATES ACCENT COLOR.

BODY NUMBER PLATE

THE BODY NUMBER PLATE IDENTIFIES THE MODEL YEAR, CAR DIVISION, SERIES, STYLE, BODY ASSEMBLY PLANT, BODY NUMBER, TRIM COMBINATION, MODULAR SEAT CODE, PAINT CODE AND BUILD DATE CODE.



MODEL SERIES IDENTIFICATION

Year	Series	Wheelbase	Vehicle
1953-1957	2900	102	CORVETTE
1958-1962	800	102	CORVETTE
1963-1964	837	98	CORVETTE (SPORT COUPE)
1963-1964	867	98	CORVETTE (CONVERTIBLE)
1965-1972	19437	98	CORVETTE (SPORT COUPE)
1965-1972	19467	98	CORVETTE (CONVERTIBLE)
1973-1975	1YZ67	98	CORVETTE (CONVERTIBLE)
1973-1977	1YZ37	98	CORVETTE (SPORT COUPE)
1978-1980	1Y7B7	98	CORVETTE (SPORT COUPE)
1981	1YY87	98	CORVETTE (SPORT COUPE)
1982	1YY07	98	CORVETTE (FASTBACK HATCH) COLLECTORS EDITION
1982	1YY87	98	CORVETTE (SPORT COUPE)

CORVETTE ENGINE SERIES NUMBER AND SUFFIX CHART

1956

"265"—8 CYLINDER

Description	Type Designation	Description	Type Designation
3 Speed	GR	Powerglide	FG

EXAMPLE I:

The 50th 2100 Series regular production "235" 6-cylinder engine built at Flint carries Serial No. 0001050 F56Z, if built at Tonawanda, 0001050 T56Z

1957

3 Speed Transmission and 4BC	EF	Powerglide	FH
Dual 4BC	EH	3 Speed Transmission and Fuel Injection	EM
Dual 4BC and Hi Lift Cam	EG	3 Speed Transmission, Fuel Injection and Hi Lift Cam	EL
Powerglide and Dual 4BC	FG	Powerglide and Fuel Injection	FK

Note: The continuous engine serial number has been eliminated. The engine plants now stamp a source, production date and type on serial pad.

Note: Numbered in sequence commencing with 1001.

EXAMPLE: T101A

(T)	(1)	(01)	(A)
Tonawanda	Month	Day	Standard 6 cyl. "235"
Plant	January	First	Models 15-21-2400

1958

"283"—8 CYLINDER

3 Speed Transmission	CQ	3 Speed Transmission, Dual 4BC and Hi Lift Cam	CU
3 Speed Transmission and Fuel Injection	CR	Powerglide	DG
3 Speed Transmission, Fuel Injection and Hi Lift Cam	CS	Powerglide and Fuel Injection	DH
3 Speed Transmission and Dual 4BC	CT	Powerglide and Dual 4BC	DJ

Note: The continuous engine serial number has been eliminated. Engines are now stamped with a source, production date and type on serial pad.

1959

"283"—8 CYLINDER

3 Speed Transmission	CQ	3 Speed, Dual 4BC and Hi Lift Cam	CU
3 Speed and Fuel Injection	CR	Powerglide	DG
3 Speed, Fuel Injection and Hi Lift Cam	CS	Powerglide and Fuel Injection	DH
3 Speed and Dual 4BC	CT	Powerglide and Dual 4BC	DJ

Note: The continuous engine serial number has been eliminated. The engine plants now stamp a source, production date and type on serial pad.

1960

"283"—8 CYLINDER

Manual Trans.	CQ	Dual 4BC and Hi Lift Cam	CU
Fuel Injection	CR	Powerglide	DG
Fuel Injection and Hi Lift Cam	CS	Powerglide and Dual 4BC	DJ
Dual 4BC	CT		

CORVETTE ENGINE SERIES NUMBER AND SUFFIX CHART (Cont.)

V7

1961

"283"—8 CYLINDER

Description	Type Designation	Description	Type Designation
Manual Trans.	CQ	Dual 4BC and Hi Lift Cam	CU
Fuel Injection	CR	Powerglide	DG
Fuel Injection and Hi Lift Cam	CS	Powerglide and Dual 4BC	DJ
Dual 4BC	CT		

Note: CORVETTE engines have the last six digits of the vehicle serial number stamped on engine date boss. Engines are stamped with a source, production date and type on serial pad.

1962

"327"—8 CYLINDER

Dual 4 BC	QB	Manual Trans. and Fuel Injection	PF
Manual Trans.	RC	Powerglide	SC
Manual Trans. and High Performance	RD	Powerglide and High Performance	SD
Manual Trans. and Spec. High Performance	RE		

1963

"327"—8 CYLINDER

Manual Trans.	RC	Manual Trans. and Fuel Injection	RF
Manual Trans. and High Performance	RD	Powerglide	SC
Special High Performance	RE	Powerglide and High Performance	SD

1964

"327"—8 CYLINDER

Manual Trans.	RC	Manual Trans. and Transistor Ignition	RT
Manual Trans. and High Performance	RD	Manual Trans. Transistor Ignition and C.A.C.	RU
Special High Performance	RE	Fuel Injection and Transistor Ignition	RX
Manual Trans. and Fuel Injection	RF	Powerglide	SC
Manual Trans. and C.A.C.	RP	Powerglide and High Performance	SD
Manual Trans. High Performance and C.A.C.	RQ	Powerglide and C.A.C.	SK
Manual Trans., Special High Performance and C.A.C.	RR	Powerglide, High Performance and C.A.C.	SL

Note: Engines are stamped with a source, production date and type on serial pad.

1965

"327"—8 CYLINDER

Manual Transmission	HE	Powerglide	HO
High Performance	HF	Powerglide and High Performance	HP
Fuel Injection	HG	Powerglide and C.A.C.	HQ
Spec. High Performance	HH	Powerglide; High Performance and C.A.C.	HR
C.A.C.	HI	Spec. High Performance and Hyd. Lifters	HT
High Performance and C.A.C.	HJ	Spec. High Performance, Hyd. Lifters and C.A.C.	HU
Spec. High Performance and C.A.C.	HK	Spec. High Performance Hyd. Lifters and	
Transistor Ignition	HL	Transistor-Ignition	HV
Transistor Ignition and C.A.C.	HM	Spec. High Performance Hyd. Lifters, Transistor	
Fuel Injection and Transistor Ignition	HN	Ignition and C.A.C.	HW

CORVETTE ENGINE SERIES NUMBER AND SUFFIX CHART (Cont.)

V8

1965

"396"—8 CYLINDER

Description	Type Designation	Description	Type Designation
Spec. High Performance	IF		

Note: Engines are stamped with a source, production date and type on serial pad.

1966

"327"—8 CYLINDER

Manual Trans.	HE	Powerglide	HO
A.I.R.	HH	Special High Performance	HT
A.I.R. and Powerglide	HR	Power Steering	HP
Special High Performance and A.I.R.	HD	Special High Performance, C.A.C. and A.I.R.	KH

"427"—8 CYLINDER

Special High Performance (Hvd. Lifters)	IK	Special High Performance	IP
High Performance	IL	Powerglide	IQ
A.I.R.	IM	Powerglide and A.I.R.	IR

Type Designations for some engines will be followed by an R (Rochester) or H (Holly - Carter) to designate Carburetor requirements.

1967

"327"—8 CYLINDER

Manual Trans.	HE	Powerglide	HO
A.I.R.	HH	Special High Performance	HT
A.I.R. and Powerglide	HR	Power Steering, Special High Performance and C.A.C.	HP
Special High Performance and A.I.R.	HD	Special High Performance, C.A.C. and A.I.R.	KH

"427"—8 CYLINDER

4-Speed or Powerglide	IL	A.I.R. and Aluminum Heads	JH
Tri. Carb.	JC	Powerglide	IQ
Special High Performance and Tri. Carb.	JE	Powerglide and Tri. Carb.	JD
Heavy Duty	IT	A.I.R. and Powerglide	IR
Aluminum Heads	IU	A.I.R., Powerglide and Tri. Carb.	JG
A.I.R.	IM	A.I.R., Special High Performance and	
A.I.R. and Tri. Carb.	JF	Tri. Carb.	JA

1968

"327"—8 CYLINDER

Manual Trans.	HE	Hyd. Steering and C.A.C.	HP
3-Speed Automatic Trans.	HO	Special High Performance	HT

CORVETTE ENGINE SERIES NUMBER AND SUFFIX CHART (Cont.)

V9

1968

"427"-8 CYLINDER

Description	Type Designation	Description	Type Designation
High Performance	IL	Special High Performance, Tri. Carb.	IR
High Performance and Tri. Carb.	IM	Heavy Duty	IT
High Performance, Tri. Carb. and 3-Speed Automatic Trans.	IO	Special High Performance, Tri. Carb. and Aluminum Heads	IU
3-Speed Automatic Trans.	IO		

1969

"350"-8 CYLINDER

High Performance	HW	Manual Trans.	HY
High Performance C.A.C.	HX	3-Speed Automatic Trans. T.H. 400	HZ

"427"-8 CYLINDER

High Performance 3-Speed Automatic Trans. T.H. 400	LL	Tri-Carb. Special High Performance Heavy Duty Clutch	LT
High Performance	LM	Aluminum Heads Heavy Duty Clutch	LU
Tri-Carb. High Performance 3-Speed Automatic Trans. T.H. 400	LN	Heavy Duty 3-Speed Automatic Trans. T.H. 400	LV
Heavy Duty	LO	Aluminum Heads 3-Speed Automatic Trans. T.H. 400	LW
Aluminum Heads	LP		
Tri-Carb. High Performance	LO	Tri-Carb. Special High Performance	
Tri-Carb. Special High Performance	LR	3-Speed Automatic Trans. T.H. 400	LX

1970

"350"-8 CYLINDER

Manual Trans.	CTL	High Performance, Transistor Ignition, C.A.C.	CTQ
3-Speed Automatic T.H. 400	CTM	Special High Performance	CTR
High Performance	CTN	Special High Performance, Transistor Ignition	CTU
High Performance, C.A.C.	CTO	Special High Performance, Transistor Ignition, 4-Speed	CTV
High Performance, Transistor Ignition	CTP		

"454"-8 CYLINDER

High Performance, 4-BBL, 3-Speed Automatic T.H. 400	CGW	4-BBL, Heavy Duty, 3-Speed Automatic T.H. 400	CZN
High Performance, 4-BBL	CZU	High Performance, 4-BBL, Transistor Ignition	CRI
4-BBL, Heavy Duty	CZL		

CORVETTE ENGINE SERIES NUMBER AND SUFFIX CHART (Cont.)

V10

1971

"350" - 8 CYLINDER

Description	H.P.	Type Designation
4-Speed Trans.	270	CJL
T.H. 400	270	CGT
4-Speed Trans.	330	CGZ
T.H. 400	330	CJK
H.D. 4-Speed Trans.	330	CGY

"454" - 8 CYLINDER

T.H. 400	365	CPJ
4-Speed Trans.	365	CPH
4-Speed Trans.	425	CPW
T.H. 400	425	CPX

1972

"350" - 8 CYLINDER

Base 4-Speed	CKW	LT1-4 Speed	CKY
Base 4-Speed w/NB2	CDH	LT1 H.D. 4-Speed	CKZ
Base T.H. 400	CKX	LT1-4 Speed w/A.I.R.	CRT
Base T.H. 400 w/NB2	CDJ	LT1-T.H. 400 w/A.I.R.	CRS

454 - 8 CYLINDER

LS5-4-Speed	CPH	LS5 w/A.I.R.	CSR
LS5-T.H. 400	CPJ	LS5 w/A.I.R.	CSS

1973-74

350 CID

Manual Trans. (L48)	CKZ	T.H. 400 (L48) w/NB2	CLC
T.H. 400	CLA	Manual Trans. (L82) w/NB2 (1973)	CLS
Manual Trans. (L82)	CLR	T.H. 400 (L82)	CLD
Manual Trans. (L48) w/NB2	CLB	T.H. 400 (L82) w/NB2 (1973)	CLH

454 CID

T.H. 400 w/NB2	CWS	Manual Trans.	CWM
Manual Trans. w/NB2 (1973)	CWT	T.H. 400	CWR

1975

350 CID

M.T.	CHA	M.T. w/Sp. HiPer.	CHC
A.T. w/Fed.	CHB	A.T. w/Calif., Sp. HiPer.	CHR
A.T. w/Calif.	CHZ	A.T. w/Fed., Sp. HiPer.	CKC
4-Spd.	CRJ	4-Spd. (HiPer.)	CUT
T.H. 400	CRK	4-Spd.	CUA
4-Spd. (HiPer.)	CRL	4-Spd.	CUB
T.H. 400 (HiPer.)	CRM	4-Spd. (HiPer.)	CUD

CORVETTE ENGINE SERIES NUMBER AND SUFFIX CHART (Cont.)

V11

1976		1977	
350 CID		350 CID	
CLM	CHC	CKZ	CLD
CLR	CHR	CLA	CLF
CLS	CKC	CLB	
CKW		CLC	
CKX		CHD	
CLS		CKD	

1978

350L CID — L48 OPT.		350H CID — L82 OPT.	
VIN-L		VIN-H	
Calif.	CLR	M.T.	CMR
Alt.	CLS	A.T.	CMS
A.T. w/Fed.	CUT		
M.T.	CHW		
	CLM		

1979

350-8 CID --- L48 OPT.		350-4 CID — L82 OPT.	
VIN-8		VIN-4	
M.T.	ZAA	M.T.	ZBA
A.T. w/Fed.	ZAB	A.T.	ZBB
Calif.	ZAC		
Alt.	ZAD		

1980

305-H (LG4) A.T.	ZCA
350-8 (L48) M.T.	ZAM
350-8 (L48) A.T.	ZAK
350-6 (L82) M.T.	ZBD
350-6 (L82) A.T.	Z9C

1981

350-6 (L81) M.T., Fed.	ZDA
350-6 (L81) A.T., Calif.	ZDB
350-6 (L81) M.T., Calif.	ZDC
350-6 (L81) A.T., Fed.	ZDD

1982

350-8 (L83) w/A.T., Fed.	ZBA
350-8 (L83) w/A.T., Calif.	ZBC
350-8 (L83) w/Calif.	ZFN

1978 TRANSMISSION IDENTIFICATION CODES

<u>M20 — 4 SPD. MAN.</u>	<u>M21 — 4 SPD. MAN.</u>
ZU S6	ZW
<u>M38 — 3 SPD. AT.</u>	
5WB	5TL

1979 TRANSMISSION IDENTIFICATION CODES

<u>M20 — 4 SPD. MAN.</u>	<u>M21 — 4SPD. MAN</u>
UH (Warner)	UK (WARNER)
<u>M38 — 3 SPD. A.T.</u>	
TB	WB

CORVETTE ENGINE SERIES NUMBER AND SUFFIX CHART (Cont.)

1980 TRANSMISSION IDENTIFICATION CODES

M18 — 4 SPD. MAN
M33 — 3 SPD. A.T.
MV4 — 3 SPD. A.T.

ZJ
JC (BUICK)
TW (CHEV.)

1981 TRANSMISSION IDENTIFICATION CODE

M18-4 SPD. MAN
CC

MX3 — 3 SPD. A.T.
BJD

1982 TRANSMISSION IDENTIFICATION CODE

MD8-4 SPD. A.T.
YA

1976 General Motors Passenger Car Vehicle Identification Numbering (VIN) System

DIVISION/ MAKE	CAR LINE/ SERIES	BODY TYPE		ENGINE CODE	MODEL YEAR	PLANT CODE	PRODUCTION SEQUENCE NUMBER
1	Z	3	7	J	6	S	100.001
		3	4	5	6	7	8 THRU 13

DIVISION CODE/MAKE
1 Chevrolet
2 Pontiac
3 Oldsmobile
4 Buick
6 GMC Truck
6 Cadillac
7 GM of Canada
8 GM Overseas

CAR LINE SERIES		
CHEVROLET (Code 1) B - Chevette C - Malibu El Camino D - Malibu Classic El Camino Classic E - Laguna S3 G - Malibu Classic Estate H - Monte Carlo S J - Chevette L - Corveta M - Acuzza N - Caprice Q - Camaro R - Monza 2-7 S - Camaro LT V - Vega X - Nova Y - Nova Custom Z - Corvette PONTIAC (Code 2) C - Aaire Aaire Safari D - LeMans LeMans Safari F - LeMans Sport Coupe G - Grand LeMans Grand LeMans Safari J - Grand Prix K - Grand Prix LJ L - Catalina Catalina Safari M - Sunbird P - Grand Safari Bonneville R - Bonneville Brougham S - Firebird T - Firebird Esprit U - Firebird Formula W - Firebird Trans Am Y - Ventura Z - Ventura SJ	CADILLAC (Code 3) B - Fleetwood Brougham C - Calais D - DeVille F - Fleetwood L - Eldorado S - Seville Z - Commercial Chassis OLDSMOBILE (Code 3) B - Omega G - Starfire "SX" E - Omega Brougham G - Cutlass S H - Cutlass Supreme Cruiser J - Cutlass Supreme Vista Cruiser K - Cutlass Salon L - Delta 88 M - Cutlass Supreme Brougham N - Delta 88 Royale O - Custom Cruiser R - Custom Cruiser S - Omega F85 T - Starfire V - Ninety Eight Luxury X - Ninety Eight Regency Y - Tornado Custom Z - Tornado Brougham	BUICK (Code 4) B - Skylark C - Skylark SR D - Century F - Century Special H - Century Custom J - Regal K - Century Custom Wagon L - LeSabre P - LeSabre Custom R - Estate Wagon S - Skyhawk T - Skyhawk S V - Electra 725 W - Skylark "S" X - Electra Limited Z - Riviera

ENGINE CODES				
CODE	TYPE C/D	BHP	CARD	DW
A	L4-140	70	1B	1-2
B	L4-140	84	2B	1-2-3
C	V8-231	105	2B	2-3-4
D	L6-250	100	1B	1-2-3
E	L4-97.5 (1.6 Litre)	60	1B	1
F	V8-260	110	2B	2-2-4
G	V8-262	110	2B	1
H	V8-350	140	2B	2-3-4
I	L4-85 (1.4 Litre)	52	1B	1
J	V8-350	155	4B	2-3-4
L	V8-350	165	4B	1
	V8-350	180	4B	1
M	V8-350	160	2B	2
N	V8-400	170	2B	2
O	L4-122	110	EF1	1
P	V8-350	165	4B	2
Q	V8-305	140	2B	1
R	V8-350	170	4B	3
	V8-350	180	EF1	6
S	V8-455	215	4B	3
	V8-454	225	4B	1
	V8-500	190	4B	6
	V8-500	215	EF1	6
T	L6-292	120	1B	1
	V8-455	190	4B	3
U	V8-400	175	4B	1
V	V8-350	145	2B	1
W	V8-455	200	4B	2
X	V8-350	210	4B	1
Y	V8-455	205	4B	4
Z	V8-400	185	4B	2

*Body Type - See Model Chart

1977 General Motors Passenger Car Vehicle Identification Numbering (VIN) System

DIVISION/ MAKE	CARLINE/ SERIES	BODY TYPE		ENGINE CODE	MODEL YEAR	PLANT CODE	PRODUCTION SEQUENCE NUMBER
1	Z	3	7	R	7	S	100.001
							1 THRU 11

DIVISION CODE/MAKE	
1	Chevrolet
2	Pontiac
3	Oldsmobile
4	Buick
5	GMC Truck
6	Cadillac
7	GM of Canada
8	GM Overseas

CAR LINE SERIES		
CHEVROLET (Code 1)	CADILLAC (Code 6)	BUICK (Code 4)
B - Chevette	B - Fleetwood Brougham	B - Skylark
C - Malibu, El Camino	D - DeVille	C - Skylark SR
D - Malibu Classic	F - Fleetwood Limo	D - Century
E - Camino Classic	L - Eldorado	E - Special
H - Monte Carlo	S - Seville	F - LeSabre Sport Coupe
J - Chevette - Scooter	Z - Commercial Chassis	H - Century Custom
K - Bel Air (Canada)		J - Regal
L - Impala		K - Century Custom Wagon
M - Monza Towne Coupe		N - LeSabre
N - Caprice Classic		P - LeSabre Custom
Q - Camaro		R - Estate Wagon
R - Monza Hatchback Cou. *		S - Skyhawk
S - Camaro LT		T - Skyhawk S
V - Vega		T - Opel
X - Nova		V - Electra 225
Y - Nova Concours		W - Skylark "S"
Z - Corvette		X - Electra Limited
		Z - Riviera
PONTIAC (Code 2)	OLDSMOBILE (Code 3)	GM CANADA ONLY (Code 7)
C - Astre	B - Omega	B - Acadian
D - LeMans, LeMans Safari	D - Starfire "SX"	J - Acadian S
F - LeMans Sport	E - Omega Brougham	K - Laurentian
G - Gran LeMans, Grand	G - Cutlass S	N - Parisienne
LeMans Safari	H - Vista Cruiser	
H - Grand Prix SJ	J - Cutlass Supreme	
J - Grand Prix	K - Cutlass Salon	
K - Grand Prix LJ	L - Delta 88	
L - Catalina, Catalina Safari	M - Cutlass Supreme	
M - Sunbird	Brougham	
N - Bonneville - Grand Safari	N - Delta 88 Royale	
O - Bonneville Brougham	Q - Custom Cruiser Wagon	
S - Firebird	S - Omega FR5	
T - Firebird, Esprit	T - Starfire	
U - Firebird Formula	V - Ninety Eight Luxury	
W - Firebird Trans Am	W - Toronado XSR	
Y - Ventura	X - Ninety Eight Regency	
Z - Ventura SJ	Z - Toronado Brougham	

ENGINE CODES				
CODE	DISP	HHP	CARB	DIV
A	231	NA	2 4	
B	140	84	2 1.2	
B	111	80	2 4	
C	231	105	2 2.3.4	
D	250	110	1 1.5.7.2*	
E	98	63	1 1.7	
F	260	110	2 3	
G	150	140	2 3	
H	150	140	2 4	
I	85	57	1 1.7	
J	350	155	4 4	
K	403	185	4 2.3.4	
L	350	170	4 1.2.3.4.5.7	
L	350	180	4 1	
P	350	170	4 2	
R	350	180	EFI 6	
R	350	170	4 2.3.4	
S	425	180	4 6	
T	425	195	EFI 6	
U	305	145	2 1.2.3.4.5.7	
V	151	87	2 2	
X	350	210	4 1	
Y	301	135	2 2.4	
Z	400	180	4 2	

*Body Type - See Model Chart

*CANADIAN PONTIAC

1978 General Motors Passenger Car Vehicle Identification Numbering (VIN) System

DIVISION/ MAKE	CARLINE/ SERIES	* BODY TYPE		ENGINE CODE	MODEL YEAR	PLANT CODE	PRODUCTION SEQUENCE NUMBER
1	Z	3	7	R	8	S	100.001
1	2	3	4	5	6	7	8 THRU 13

DIVISION CODE/MAKE
1 - Chevrolet
2 - Pontiac
3 - Oldsmobile
4 - Buick
5 - GMC Truck
6 - Cadillac
7 - GM of Canada
8 - GM Overseas

CAR LINE/SERIES	
CHEVROLET (Code 1) B - Chevette J - Chevette "Sproter" K - Bel Air (Canada) L - Impala M - Monza - Monza S N - Caprice Classic O - Camaro R - Monza 2-7 S - Camaro LT T - Malibu W - Malibu Classic El Camino X - Nova Y - Nova Custom Z - Corvette Z - Monte Carlo	OLDSMOBILE (Code 3) B - Omega D - Starfire SX E - Omega Brougham G - Cutlass Salon H - Cutlass Cruiser J - Cutlass Salon Brougham K - Cutlass Calais L - Delta 88 M - Cutlass Supreme N - Delta 88 Royale Q - Custom Cruiser R - Cutlass Supreme T - Starfire V - Ninety Eight Luxury X - Ninety Eight Regency Z - Toronado Brougham
PONTIAC (Code 2) D - LeMans E - Sunbird F - Grand LeMans G - Gran Am H - Grand Prix SJ J - Grand Prix K - Grand Prix LJ L - Catalina M - Sunbird Sport N - Bonneville - Grand Safari Q - Bonneville Brougham S - Firebird T - Firebird Esprit U - Firebird Formula W - Firebird Trans Am Y - Phoenix Z - Phoenix LJ	BUICK (Code 4) B - Skylark C - Skylark Custom E - Century Special F - LeSabre Sport Coupe G - Century Sport Coupe H - Century Custom J - Regal K - Regal Sport Coupe L - Century Limited M - Regal Limited N - LeSabre P - LeSabre Custom R - Estate Wagon S - Skyhawk T - Skyhawk S U - Opel V - Electra Park Ave. W - Electra 225 X - Opel Sport Y - Skylark "S" Z - Electra Limited Z - Opel Deluxe Z - Riviera
CADILLAC (Code 6) B - Fleetwood Brougham D - DeVille F - Fleetwood Limo L - Eldorado S - Seville Z - Commercial Chassis	GM CANADA ONLY (Code 7) B - Acadian J - Acadian S K - Laurentien N - Parisienne
GMC TRUCK & COACH (Code 5) W - Cabellero	

ENGINE CODES					
CODE	DISP	HHP	CARB	DIV USAGE	PROD DIV
A	231	105	2	1, 2, 3, 4, 5	4
B	350	180	EFI	6	6
B*	111		2		0
C (2.2L)	196		2	1, 4	4
D	250	110	1	1, 2, 7	1
E (1.6L)	98	63	1	1, 7	1
F	260	110	2	3	3
G (3.8L)	231		2	4	4
H	305		4	1, 2, 3, 4	1
J (1.6L)	98		1	1, 7	1
K	403	195	4	2, 3, 4	3
L	350		4	1, 2, 3, 4, 5, 7	1, 7
M (3.3L)	260		2	1, 5, 7*	1
N (5.7L)	350		DIESEL	3, 6	3
R	350	170	4	2, 3, 4	3
S	425	180	4	6	6
T	425	195	EFI	6	6
U	305	145	2	1, 2, 3, 4, 5, 7	1, 7
V	151	87	2	1, 2, 3	2
W	301		4	2	2
X	350	155	4	2, 4	4
Y	361	135	2	2, 4	2
Z	400	180	4	2, 4	2
1	151		2	1, 2, 3	2
2	231		2	4	4
3 (3.8L)	231*		4	4	4
4	350		4	1	1

*Canadian
*Opel Isuzu

*Body Type - See Model Chart

1979 General Motors Passenger Car Vehicle Identification Numbering (VIN) System

DIVISION/ MAKE	CAR LINE/ SERIES	* BODY TYPE		ENGINE CODE	MODEL YEAR	PLANT CODE	PRODUCTION SEQUENCE NUMBER
1	Z	3	7	R	9	S	100.001
							* THRU 11

DIVISION CODE MAKE
1 - Chevrolet
2 - Pontiac
3 - Oldsmobile
4 - Buick
5 - GMC Truck
6 - Cadillac
7 - GM of Canada
8 - GM Overseas

CAR LINE SERIES	
<p>CHEVROLET (Code 1)</p> <p>B - Chevrolet C - Chevrolet Sportster L - Impala M - Monza - Monza S N - Caprice Classic Q - Camaro R - Monza 2 - 2 S - Berlina T - Malibu W - Malibu Classic Y - Camaro Y - Nova Y - Nova Custom Z - Corvette Z - Monte Carlo</p> <p>PONTIAC (Code 2)</p> <p>D - LeMans E - Sunbird F - Grand LeMans G - Grand AM H - Grand Prix S J - Grand Prix K - Grand Prix LE L - Catalina M - Sunbird Sport N - Bonneville N - Grand Safari Q - Bonneville S - Firebird T - Firebird Esprit U - Firebird Formula W - Firebird X - Firebird Y - Trans AM Y - Phoenix Z - Phoenix LE</p> <p>CADILLAC (Code 6)</p> <p>B - Fleetwood Brumby D - DeVille F - Fleetwood Limo L - Eldorado S - Seville Z - Commercial Chassis</p>	<p>OLDSMOBILE (Code 3)</p> <p>B - Omega D - Starline '85 E - Omega Brumby G - Cutlass Supreme H - Cutlass Cruiser J - Cutlass Supreme J - Cutlass Supreme K - Cutlass Supreme L - Delta 88 M - Cutlass Supreme N - Delta 88 Royale Q - Custom Cruiser R - Cutlass Supreme T - Starline V - Ninety Eight Luxury W - Ninety Eight Regency Z - Toronado Brumby</p> <p>BUICK (Code 4)</p> <p>B - Skylark C - Skylark Custom E - Century Special F - LeSabre Custom G - Sport Coupe H - Century Sport Coupe J - Century Custom J - Regal K - Regal Sport Coupe L - GMCO Series L - Buick Overseas M - GMCO Series M - Buick Overseas N - LeSabre P - LeSabre Limited R - Estate Wagon S - Skyhawk T - Skyhawk U - Electra Park Ave V - Electra 225 W - Skyhawk '85 X - Electra Limited Y - Riviera '85 Z - Riviera</p> <p>GM CANADA ONLY (Code 7)</p> <p>B - Acadia J - Acadia S K - Laurentian N - Parisienne</p> <p>GMC TRUCK & COACH (Code 5)</p> <p>W - Caballer</p>

ENGINE CODES						
CODE	DISP	HHP	CARB	DIV	USAGE	PROV
A	231	105	12	1, 2, 3, 4, 5		4
B	350	140	EF	6		6
D (3.2L)	164	72	2	1, 4		4
D	250	110	2	1, 2, 3		1
E (3.8L)	98	47	1	1, 2		1
F	240	110	2	2, 3		2
G	304	135	2	1, 2, 3, 4, 5		1
H	304	135	4	1, 2, 3, 4		1
J (4.4L)	287	125	2	1, 5		1
K	403	185	4	2, 3, 4		3
L	350	120	4	1, 2, 3, 4, 5		1
M (3.7L)	200	90	2	1, 2		1
N (4.7L)	350	160	DIESEL	3, 4		1
Q (4.6L)	260	115	2	1, 2		1
R (4.3L)	260	115	DIESEL	3		1
R	350	120	4	2, 3, 4		1
S	425	180	4	6		6
T	425	195	641	6		6
V	117	87	2	1, 2, 3		2
W	301	135	4	2, 4		2
X	350	155	4	2, 4		4
Y	301	135	2	2, 3, 4		2
Z	400	180	4	2		2
1	151	70	2	1, 2, 3		2
2	231	105	2	1, 2, 3, 4		4
3 (3.8L)	231	105	4	3		4
4	350	140	4	1		1
8	350	140	4	1		1
9	151	70	2	1, 2, 3		2

*Canadian
Opel Isuzu

*Body Type - See Model Chart

1980 General Motors Passenger Car Vehicle Identification Numbering (VIN) System

DIVISION/ MAKE	CARLINE/ SERIES	* BODY TYPE	ENGINE CODE	MODEL YEAR	PLANT CODE	PRODUCTION SEQUENCE NUMBER
1	Z	8 7	H	A	S	100.001

DIVISION CODE MAKE
1 - Chevrolet
2 - Pontiac
3 - Oldsmobile
4 - Buick
T - GMC Truck
5 - Cadillac
7 - GM of Canada
8 - GM Overseas

CAR LINE SERIES	
CHEVROLET (Code 1) B - Chevelle H - Citation Custom J - Chevette Sport L - Impala M - Monte Carlo N - Caprice Classic P - Cavalier Sport Coupe R - Monza 2-Door S - Camaro T - Beretta U - Malibu W - Malibu Classic, El Camino X - Citation Z - Monte Carlo 7 - Corvette	BUICK (Code 4) B - Skylark C - Skylark Limited D - Skylark Sport E - Century F - LeSabre Sport G - Century Coupe H - Century Custom J - Regal K - Regal Sport Coupe L - Century Limited M - Regal Limited N - LeSabre P - LeSabre Limited R - Estate Wagon S - Skyhawk T - Skyhawk S V - Electra Estate W - Electra Park Ave X - Electra Limited Y - Riviera S Type Z - Riviera
PONTIAC (Code 2) B - LeMans E - Sunbird F - Grand LeMans G - Grand Am H - Grand Prix S J - Grand Prix K - Grand Prix LJ L - Catalina M - Sunbird N - Bonneville R - Bonneville Brougham S - Firebird T - Firebird U - Bonneville Brougham V - Firebird W - Firebird Y - Phoenix Z - Phoenix LJ	CADILLAC (Code 6) B - Brougham D - DeVille F - Limousine L - Eldorado S - Seville Z - Commercial Chassis
OLDSMOBILE (Code 3) B - Omega D - Starfire E - Omega Brougham G - Cutlass Salon H - Cutlass Cruiser Brougham J - Cutlass Salon Brougham K - Cutlass Calais L - Delta 88 M - Cutlass Supreme Brougham N - Delta 88 Royale P - Custom Cruiser R - Cutlass Supreme T - Starfire V - Ninety Eight Luxury X - Ninety Eight Regency Y - Delta 88 Brougham Z - Toronado	GM TRUCK & COACH W - Caballero

ENGINE CODES				
CODE	DISP	CARR	DIV USAGE	PROD DIV
3.0 FL	198	2		1
3.0 FL	198	2		1
4.0 FL	200	4	2,3,4	2
4.0 FL	197	4	2,4	3
4.4 FL	267	2		1
4.5 FL	198	4		4
4.5 FL	198	4		4
4.5 FL	198	4		4
4.5 FL	197	4	2,4	4
4.5 FL	224	2		1
4.5 FL	197	4	4	1
4.5 FL	197	4	2,3,4	4
4.5 FL	231	2	2,3,4	4
4.5 FL	173	2	2,3,4	1
4.5 FL	198	4	2,3,4	1
4.5 FL	198	4	1	1
4.5 FL	198	4	2,3	2
4.5 FL	197	4	3	3
4.5 FL	260	2	3	3
4.5 FL	197	2	1,2,3,4	2
4.5 FL	197	2	1,2,3	2
4.5 FL	198	4	1	1
4.5 FL	198	4	1	1

*Body Type — See Model Chart

1981 General Motors Passenger Car Vehicle Identification Numbering (VIN) System

DIVISION/ MAKE	RESTRAINT SYSTEM TYPE	CARLINE/ SERIES	BODY TYPE		ENGINE CODE	CHECK DIGIT	MODEL YEAR	PLANT CODE	PRODUCTION SEQUENCE NUMBER
1G1	A	Y	8	7	6	9	B	S	400.001
① ② ③	④	⑤	⑥	⑦	⑧	⑨	⑩	⑪	⑫ THRU ⑰

DIVISION CODE	MAKE
1G1	Chevrolet Passenger
1G2	Pontiac Passenger
1G3	Oldsmobile Passenger
1G4	Buick Passenger
1G6	Cadillac Passenger
1G7	GM of Canada Passenger
1GC	Chevrolet Truck
1GT	GMC Truck
J8Z*	Chevrolet Truck
1G8	Chevrolet MPV
1G5	GMC Truck MPV
<small>(See Note)</small>	
<small>*GM merchandised vehicles built by Isuzu Motors, Fuyusawa Japan</small>	

Code	Restraint System Type
A	Non Passive Restraint Manual Belts
B	Passive Restraint Automatic Belts
C	Passive Restraint Inflatable Restraints

CAR LINE/SERIES	
CHEVROLET (Code 1) B — Chevette J — Chevette Scooter L — Impala N — Caprice Classic P — Camaro Sport Coupe S — Camaro Berlinaetta T — Malibu W — Malibu Classic, El Camino X — Citation Z — Monte Carlo Y — Corvette PONTIAC (Code 2) D — LeMans F — Grand LeMans J — Grand Prix K — Grand Prix LJ L — Catalina N — Bonneville P — Grand Prix Brougham R — Bonneville Brougham S — Firebird T — Firebird Esprit Lux V — Firebird Formula W — Firebird Trans Am Y — Phoenix Z — Phoenix LJ OLDSMOBILE (Code 3) B — Omega E — Omega Brougham G — Cutlass Salon H — Cutlass Cruiser Brougham K — Cutlass Calais L — Delta 88 M — Cutlass Supreme Brougham N — Delta 88 Royale P — Custom Cruiser R — Cutlass Supreme V — Ninety-Eight Luxury X — Ninety-Eight Regency Y — Delta 88 Brougham Z — Toronado	BUICK (Code 4) B — Skylark C — Skylark Limited D — Skylark Sport E — Century F — LeSabre Sport Coupe H — Century Custom J — Regal K — Regal Sport Coupe L — Century Limited M — Regal Limited N — LeSabre P — LeSabre Limited R — Estate Wagon V — Electra Estate W — Electra Park Ave. X — Electra Limited Y — Riviera "S" Type Z — Riviera CADILLAC (Code 6) B — Brougham D — DeVille F — Limousine L — Eldorado S — Seville Z — Commercial Chassis GMC TRUCK & COACH W — Caballero

ENGINE CODES				
COD.	DISP	CARB	DIV USAGE	PROD DIV
9 (1.5L)	98	2	1	1
W (4.9L)	301	4	2,4	2
J (4.4L)	267	2	1,2,3,4,5	1
9 (6.0L)	368	EFI	6	6
X (2.8L)	173	2	1,2,3,4	1
K (3.8L)	229	2	1,2,5	1
4 (4.1L)	252	4	3,4,6	4
3 (3.8L)	231	4	1,3,4	4
A (3.8L)	211	2	1,2,3,4,5	4
Z (2.8L)	173	2	1,2	1
N (5.7L)	350	DIES	1,2,3,4,6	3
H (5.0L)	305	4	1,2,3,4,5	1
L (5.7L)	350	4	1	1
S (4.3L)	—	2	2,4	2
T (4.9L)	—	4	2	2
Y (5.0L)	307	4	2,3,4	3
F (4.3L)	260	2	3	3
5 (2.5L)	151	2	1,2,3,4	2
6 (5.7L)	350	4	1	1
B (5.7L)	350	4	4	4
D (1.8L)	—	DIES	1	1

NOTE: DIVISION/MAKE

- 1st Position — Country
 - 1 — United States
 - 2 — Canada
 - J — Japan
- 2nd Position — Manufacture
 - G — General Motors
- 3rd Position — Division
 - 1 — Chevrolet
 - 2 — Pontiac
 - 3 — Oldsmobile
 - 4 — Buick
 - 6 — Cadillac
 - 7 — Canada
 - Z — Isuzu (Lux)

*Body Type — See Model Chart

1982 General Motors Passenger Car Vehicle Identification Numbering (VIN) System

DIVISION/ MAKE	RESTRAINT SYSTEM TYPE	CARLINE/ SERIES	BODY TYPE		ENGINE CODE	CHECK DIGIT	MODEL YEAR	PLANT CODE	PRODUCTION SEQUENCE NUMBER
1G1	A	D	2	7	G	X	C	7	100.001
(1) (2) (3)	(4)	(5)	(6)	(7)	(8)	(9)	(10)	(11)	(12) THRU (15)

DIVISION CODE	MAKE
1G1	Chevrolet Passenger
1G2	Pontiac Passenger
1G3	Oldsmobile Passenger
1G4	Buick Passenger
1G8	Cadillac Passenger
1G7	GM of Canada Passenger
1GC	Chevrolet Truck
1GY	GMC Truck
J82*	Chevrolet Truck
1G8	Chevrolet MPV
1G5	GMC Truck MPV
(See Note)	
*GM merchandised vehicles built by Isuzu Motors, Fujiwara Japan	

Code	Restraint System
A	Non Passive Restraint Manual Belts
B	Passive Restraint Automatic Belts
C	Passive Restraint Inflatable Restraints

CAR LINE/SERIES	
CHEVROLET (Code 1) B — Chevette D — Cavalier E — Cavalier (Hatchback) H — Citation J — Chevette Scooter L — Impala N — Caprice Classic P — Camaro Sport Coupe S — Camaro Berlinetta W — Celebrity (19-27) W — Malibu Classic (35-69) X — Citation Y — Corvette Z — Monte Carlo PONTIAC (Code 2) B — J2000 C — J2000 LE D — J2000 SE F — Pontiac 6000 G — Pontiac 6000 LE J — Grand Prix K — Grand Prix LJ L — T1000 N — Bonneville P — Grand Prix Brougham R — Bonneville Brougham S — Firebird T — Phoenix SJ W — Firebird Trans Am X — Firebird Special Edition Y — Phoenix Z — Phoenix LJ OLDSMOBILE (Code 3) B — Omega C — Firenza D — Firenza E — Omega Brougham G — Cutlass Ciera H — Cutlass Cruiser J — Cutlass Ciera LS K — Cutlass Calais L — Delta 88 M — Cutlass Supreme Brougham (47-69) M — Cutlass Ciera Brougham (19-27) N — Delta 88 Royale P — Custom Cruiser R — Cutlass Supreme W — 98 Regency Brougham X — 98 Regency Y — Delta 88 Royale Brougham Z — Toronado Brougham	BUICK (Code 4) B — Skylark C — Skylark Limited D — Skylark Sport G — Century Sport H — Century J — Regal K — Regal Sport L — Century Limited M — Regal Limited N — Le Sabre P — Le Sabre Limited R — Le Sabre Estate S — Skyhawk T — Skyhawk Limited V — Electra Estate W — Electra Park Avenue X — Electra Limited Y — Riviera I Z — Riviera Luxury CADILLAC (Code 6) B — Fleetwood Brougham D — DeVille F — Fleetwood Limousine G — Cimarron F — Fleetwood Limousine G — Cimarron L — Eldorado S — Seville GMC TRUCK & COACH (Code 5) W — Caballero

ENGINE CODES				
CODE	LITERS	CARB	DIV.USAGE	PROD DIV
A	3.8i V8	2	1,2,3,4	4
R	2.0 L4	2	1,3	1
C	1.6 L4	2	1,2	1
D	1.8 L4	2	1	1
E	1.0 V6	2	3,4	4
F	2.5 L4	2	1,2	2
G	1.8 L4	2	1,2,3,4,6	1
H	5.0 V8	4	1,2,3,4	1
J	4.4 V8	2	1,2,3,4	1
K	1.8 V6	2	1	1
L	5.7 V8	4	1	1
N	5.7 V8	3	1,2,3,4,6	1
R	2.5 L4	TBI	1,2,3,4	2
T	4.7 V6	Dies	1,2,3,4	3
V	4.3 V6	Dies	1,2,3,4	3
X	2.8 V6	2	1,2,3,4	1
Y	5.0 V8	4	3,4	3
Z	2.8 V6	2	1,2,3,4	1
0	1.8 L4	TBI	2,4	2
1	2.8 V6	2	1,2	1
2	2.5 L4	TBI	1,2	2
3	3.8 V6	4	1,4	4
4	4.1 V6	4	2,3,4,6	4
5	2.5 L4	2	1,2,3,4	2
7	5.0 V8	TBI	1	1
8	5.7 V8	TBI	1	1
8	4.3 V8	2	3	3
8	4.1 V8	DFI	6	6
9	6.0 V8	DFI	6	6

NOTE: DIVISION/MAKE

1st Position — Country

- 1 — United States
- 2 — Canada
- J — Japan

2nd Position — Manufacture

- G — General Motors

3rd Position — Division

- 1 — Chevrolet
- 2 — Pontiac
- 3 — Oldsmobile
- 4 — Buick
- 6 — Cadillac
- 7 — Canada
- Z — Isuzu (Luv)

*Body Type — See Model Chart

CORVETTE BASIC ENGINE DATA & POWER TEAMS

V12

1953

Engine	Cu. In. Displ.	Comp. Ratio	Bore	Stroke	Gross H.P.	Net H.P.	Carburetor	Transmission
Corvette 6 cyl.	235	8.0	3-9/16"	3-15/16"	150 @ 4200 RPM	140 @ 4200 RPM	3-Side Draft Single Barrel	Powerglide

1954-1955 (1st Series)

Corvette 6 cyl.	235	8.0	3-9/16"	3-15/16"	150 @ 4200 RPM	140 @ 4200 RPM	3-Side Draft Single Barrel	Powerglide
-----------------	-----	-----	---------	----------	----------------	----------------	----------------------------	------------

1955 (2nd Series)

Corvette 6 cyl.	235	8.0	3-3/4"	3"	155 @ 4200 RPM	140 @ 4000 RPM	3-Side Draft Single Barrel	Powerglide
Corvette 3 cyl.	265	8.0	3-3/4"	3"	195 @ 5000 RPM	180 @ 4800 RPM	4-Barrel	Powerglide
Corvette 8 cyl.	265	8.0	3-3/4"	3"	195 @ 5000 RPM	180 @ 4800 RPM	4-Barrel	3-Speed

1956

Corvette 8 cyl.	265	9.25	3-3/4"	3"	210 @ 5200 RPM	180 @ 4600 RPM	4-Barrel	3-Speed Powerglide
Corvette 8 cyl.	265	9.25	3-3/4"	3"	225 @ 5200 RPM	196 @ 4800 RPM	Dual 4-Barrel	3-Speed Powerglide

1957

Corvette 8 cyl.	283	9.5	3-7/8"	3"	220 @ 4800 RPM	190 @ 4600 RPM	4-Barrel	Close-Ratio Powerglide
Corvette 8 cyl.	283	9.5	3-7/8"	3"	245 @ 5000 RPM	215 @ 4800 RPM	Dual 4-Barrel	Close-Ratio Powerglide
Corvette 8 cyl.	283	9.5	3-7/8"	3"	250 @ 5000 RPM	225 @ 4800 RPM	Fuel Injection	Close-Ratio Powerglide
*Corvette 8 cyl.	283	9.5	3-7/8"	3"	270 @ 6000 RPM	230 @ 6000 RPM	Dual 4-Barrel	Close-Ratio
*Corvette 8 cyl.	283	10.5	3-7/8"	3"	283 @ 6200 RPM	240 @ 5600 RPM	Fuel Injection	Close-Ratio

*MAXIMUM performance engines have special performance-type camshaft, high-speed valve system and mechanical valve lifters. All other engines have hydraulic valve lifters.

CORVETTE BASIC ENGINE DATA & POWER TEAMS (Cont.)

V13

1958

Engine	Cu. In. Displ.	Comp. Ratio	Bore	Stroke	Gross H.P.	Net H.P.	Carburetor	Transmission
Corvette-8 cyl.	283	9.5	3-7/8"	3"	230 @ 4800 RPM	195 @ 4600 RPM	4-Barrel	3-Speed, 4-Speed, PG
Corvette-8 cyl.	283	9.5	3-7/8"	3"	245 @ 5000 RPM	215 @ 4800 RPM	Dual 4-Barrel	3-Speed, 4-Speed, PG
*Corvette-8 cyl.	283	9.5	3-7/8"	3"	270 @ 6000 RPM	230 @ 6000 RPM	Dual 4-Barrel	3-Speed, 4-Speed
Corvette-8 cyl.	283	9.5	3-7/8"	3"	250 @ 5000 RPM	225 @ 4800 RPM	Fuel Injection	3-Speed, 4-Speed, PG
*Corvette-8 cyl.	283	10.5	3-7/8"	3"	290 @ 6200 RPM	245 @ 5600 RPM	Fuel Injection	3-Speed, 4-Speed

*MAXIMUM performance engines have special performance-type camshaft, high speed valve system and mechanical valve lifters. All other engines have hydraulic valve lifters.

1959

Corvette-8 cyl.	283	9.5	3-7/8"	3"	230 @ 4800 RPM	195 @ 4600 RPM	4-Barrel	3 or 4-Speed, PG
Corvette-8 cyl.	283	9.5	3-7/8"	3"	245 @ 5000 RPM	215 @ 4800 RPM	Dual 4-Barrel	3 or 4-Speed, PG
●Corvette-8 cyl.	283	9.5	3-7/8"	3"	270 @ 6000 RPM	230 @ 6000 RPM	Dual 4-Barrel	3 or 4-Speed
Corvette-8 cyl.	283	9.5	3-7/8"	3"	250 @ 5000 RPM	225 @ 4800 RPM	Fuel Injection	3 or 4-Speed, PG
Corvette-8 cyl.	283	10.5	3-7/8"	3"	290 @ 6200 RPM	245 @ 5600 RPM	Fuel Injection	3 or 4-Speed

●NOTE: Includes special performance type camshaft.

1960-1961

Corvette-8 cyl.	283	9.5	3-7/8"	3"	230 @ 4800 RPM	195 @ 4600 RPM	4-Barrel	3 or 4-Speed, PG
Corvette-8 cyl.	283	9.5	3-7/8"	3"	245 @ 5000 RPM	215 @ 4800 RPM	Dual 4-Barrel	3 or 4-Speed, PG
●Corvette-8 cyl.	283	9.5	3-7/8"	3"	270 @ 6000 RPM	230 @ 6000 RPM	Dual 4-Barrel	3 or 4-Speed
Corvette-8 cyl.	283	11.0	3-7/8"	3"	275 @ 5200 RPM	—	Fuel Injection	3 or 4-Speed
●Corvette-8 cyl.	283	11.0	3-7/8"	3"	315 @ 6200 RPM	—	Fuel Injection	3 or 4-Speed

●NOTE: Includes special performance type camshaft

CORVETTE BASIC ENGINE DATA & POWER TEAMS (Cont.)

V14

1962

Engine	Cu. In. Displ.	Comp. Ratio	Bore	Stroke	Gross H.P.	Net H.P.	Carburetor	Transmission
Corvette-8 cyl.	327	10.5	4"	3-1/4"	250 @ 4400 RPM	210 @ 4400 RPM	4-Barrel	3 or 4-Speed, PG
Corvette-8 cyl.	327	10.5	4"	3-1/4"	300 @ 5000 RPM	-	Large 4-Barrel	3 or 4-Speed, PG
Corvette-8 cyl.	327	11.25	4"	3-1/4"	340 @ 6000 RPM	-	Large 4-Barrel	3 or 4-Speed
Corvette-8 cyl.	327	11.25	4"	3-1/4"	360 @ 6000 RPM	-	Fuel Injection	3 or 4-Speed

1963

327-8 cyl.	327	10.5	4"	3-1/4"	250 @ 5000 RPM	210 @ 4400 RPM	4-Barrel	3-SPD., 4-SPD., PG
327-8 cyl.	327	10.5	4"	3-1/4"	300 @ 5000 RPM	-	Large 4-Barrel	3-SPD., 4-SPD., PG
327-8 cyl.	327	11.25	4"	3-1/4"	340 @ 6000 RPM	-	Large 4-Barrel	3-SPD., 4-SPD.
327-8 cyl.	327	11.25	4"	3-1/4"	360 @ 5000 RPM	-	Fuel Injection	3-SPD., 4-SPD.

1964

327-8 cyl.	327	10.5	4"	3-1/4"	250 @ 4400 RPM	210 @ 4400 RPM	4-Barrel	3-SPD., 4-SPD., PG
327-8 cyl.	327	10.5	4"	3-1/4"	300 @ 5000 RPM	-	Large 4-Barrel	3-SPD., 4-SPD., PG
327-8 cyl.	327	11.25	4"	3-1/4"	365 @ 4000 RPM	-	Large 4-Barrel	3-SPD., 4-SPD.
327-8 cyl.	327	11.25	4"	3-1/4"	375 @ 44- 4800 RPM	-	F.I.	3-SPD., 4-SPD.

CORVETTE BASIC ENGINE DATA & POWER TEAMS (Cont.)

V15

1965

Engine	Cu. In. Displ.	Comp. Ratio	Bore	Stroke	Gross H.P.	Net H.P.	Carburetor	Transmission
327-8 cyl.	327	10.5	4"	3-1/4"	250 @ 4400 RPM	210 @ 4400 RPM	4-Barrel	3-SPD., 4-SPD., PG
327-8 cyl.	327	10.5	4"	3-1/4"	300 @ 5000 RPM	-	Large 4-Barrel	3-SPD., 4-SPD., PG
327-8 cyl.	327	11.0	4"	3-1/4"	350 @ 5800 RPM	-	Large 4-Barrel (Hyd. Lifters)	3-SPD., 4-SPD.
327-8 cyl.	327	11.0	4"	3-1/4"	365	-	Large 4-Barrel (Mech. Lifters)	3-SPD., 4-SPD.
327-8 cyl.	327	11.0	4"	3-1/4"	375	-	F.I. (Mech. Lifters)	3-SPD., 4-SPD.
396-8 cyl.	396	11.0	4-3/32"	3-49/64"	425 @ 6400 RPM	-	4-Barrel	4-SPD.

1966

327-8 cyl.	327	10.5	4"	3-1/4"	300 @ 5000 RPM	-	Large 4-Barrel	3-SPD., 4-SPD., PG
327-8 cyl.	327	11.0	4"	3-1/4"	350 @ 5800 RPM	-	Large 4-Barrel (Hyd. Lifters)	3-SPD., 4-SPD.
427-8 cyl.	427	10.25	4-1/4"	3-49/64"	390 @ 5400 RPM	-	Large 4-Barrel (Hyd. Lifters)	4-SPD.
427-8 cyl.	427	11.0	4-1/4"	3-49/64"	425 @ 6400 RPM	-	F.I. (Mech. Lifters)	4-SPD.

1967

Turbo-Fire 327-8 cyl.	327	10.25	4"	3-1/4"	300 @ 5000 RPM	-	4-Barrel	3-SPD., 4-SPD., PG
Turbo-Fire 327-8 cyl.	327	11.0	4"	3-1/4"	250 @ 5800 RPM	-	4-Barrel	3-SPD., 4-SPD.
Turbo-Jet 427-8 cyl.	427	10.25	4-1/4"	3-49/64"	-	-	4-Barrel	3-SPD., 4-SPD., TH
Turbo-Jet 427-8 cyl.	427	10.25	4-1/4"	3-49/64"	-	-	4-Barrel	3-SPD., 4-SPD., PG
Turbo-Jet 427-8 cyl.	427	10.25	4-1/4"	3-49/64"	-	-	3 x 2 Barrel	4-SPD., PG
Turbo-Jet 427-8 cyl.	427	11.0	4-1/4"	3-49/64"	-	-	3 x 2 Barrel (Mech. Lifters)	4-SPD.

MICROFICHE INDEX
GROUPS 4.000 THRU 5.000
FICHE 3 OF 6

GROUP DESCRIPTION	STARTING GRID LOCATION	
	PARTS	ILLUSTRATIONS
- INTRODUCTION	A-6	I-2
- GENERAL INFORMATION	A-2	I-2
- ALPHABETICAL INDEX	C-11	N.A.
- INDEX FOR ADDITIONAL INFORMATION	A-5	N.A.
4.000 TRANSMISSION - BRAKES	E-2	I-6
5.000 BRAKES - REAR AXLE - PROPELLER SHAFT - WHEELS	H-7	L-19
- OUT OF FICHE CALLS	N.A.	N-16

B-1

CORVETTE BASIC ENGINE DATA & POWER TEAMS (Cont.)

1968

Engine	Cu. In. Displ.	Comp. Ratio	Bore	Stroke	Gross H.P.	Net H.P.	Carburetor	Transmission
Turbo-Fire 327-8 cyl.	327	10.0	4"	3-1/4"	300 @ 5000 RPM	-	4-Barrel	3-SPD., 4-SPD., TH
Turbo-Fire 327-8 cyl.	327	11.0	4"	3-1/4"	350 @ 5800 RPM	-	4-Barrel	4-SPD.
Turbo-Je. 427-8 cyl.	427	10.25	4-1/4"	3-49/64"	385 @ 5200 RPM	-	4-Barrel	3-SPD., 4-SPD., TH
Turbo-Jet 427-8 cyl.	427	10.25	4-1/4"	3-49/64"	400 @ 5400 RPM	-	3 x 2 Barrel	4-SPD., TH
Turbo-Jet 427-8 cyl.	427	11.0	4-1/4"	3-49/64"	435 @ 5800 RPM	-	3 x 2 Barrel (Mech Lifters)	4-SPD.

1969

Turbo-Fire 350-8 cyl.	350	10.25	4.0"	3-31/64"	300 @ 4800 RPM	-	4-Barrel	3-SPD., 4-SPD., PG T.H.
Turbo-Fire 350-8 cyl.	350	11.0	4.0"	3-31/64"	350 @ 5600 RPM	-	4-Barrel	4-SPD.
Turbo-Jet 427-8 cyl.	427	10.25	4-1/4"	3-49/64"	390 @ 5400 RPM	-	4-Barrel	3-SPD., 4-SPD., TH400
Turbo-Jet 427-8 cyl.	427	10.25	4-1/4"	3-49/64"	400 @ 54 RPM	-	3 x 2 Barrel	4-SPD., TH400
Turbo-Jet 427-8 cyl.	427	12.5	4-1/4"	3-49/64"	430 @ 5200 RPM	-	4-Barrel	4-SPD., TH400
Turbo-Jet 427-8 cyl.	427	11.0	4-1/4"	3-49/64"	435 @ 5800 RPM	-	3 x 2 Barrel	4-SPD., TH400

1970

Engine	Cu. In. Displ.	Comp. Ratio	Bore	Stroke	Gross H.P.	Carburetor	Transmission
Turbo-Fire 350-V-8	350	10.25	4.0"	3-31/64"	300 @ 4800 RPM	4-Barrel	3-SPD., 4-SPD., T.H.
Turbo-Fire 350-V-8	350	11.00	4.0"	3-31/64"	350 @ 5600 RPM	4-Barrel	4-SPD., 4-SPD. Close Ratio, T.H.
Turbo-Fire 350-V-8	350	11.00	4.0"	3-31/64"	370 @ 6000 RPM	4-Barrel	4-SPD., H.D. 4-SPD. 4-SPD., Close Ratio
Turbo-Jet 454-V-8	454	10.25	4.0"	4.0"	390 @ 4800 RPM	4-Barrel	4-SPD., 4-SPD., Close Ratio, T.H. 400
Turbo-Jet 454-V-8	454	12.25	4-1/4"	4.0"	465 @ 5200 RPM	4-Barrel	H.D. 4-SPD.

1971

Turbo-Fire 350-V-8	350	8.5:1	4.0"	3-31/64"	270@ 4800 RPM	4-Barrel	4-SPD., T.H.
Turbo-Fire 350-V-8	350	9:1	4.0"	3-31/64"	330@ 5600 RPM	4-Barrel	4-SPD., H.D. 4-SPD. 4-SPD., Close Ratio
Turbo-Jet 454-V-8	454	8.5:1	4-1/4"	4.0"	365 @ 4800 RPM	4-Barrel	4-SPD. 4-SPD., Close Ratio, T.H. 400
Turbo-Jet 454-V-8	454	9:1	4-1/4"	4.0"	425 @ 5600 RPM	4-Barrel	H.D. 4-SPD., T.H. 400

CORVETTE BASIC ENGINE DATA & POWER TEAMS (Cont.)

1972-74

Engine	Cu. In. Disp.	Comp. Ratio	Bore	Stroke	Carburetor	Transmission
Turbo-Fire 350 V-8	350	8.5:1	4.0"	3.31-64"	4-Barrel	4-Spd. T.H. 400
Turbo-Fire 350 V-8	350	9:1	4.0"	3.31-64"	4-Barrel	4-Spd., 4-Spd. Close Ratio H.D. 4-Spd.
Turbo-Jet 454 V-8	454	8.25:1	4.1/4"	4.0"	4-Barrel	4-Spd., 4-Spd. Close Ratio, T.H. 400

1975-77

Engine	Cu. In. Disp.	Comp. Ratio	Bore	Stroke	Carburetor	Transmission
Turbo-Fire 350 V-8	350	8.5:1	4.0"	3.31-64"	4-Barrel	4-Spd., T.H. 400 T.H. 350
Turbo-Fire 350 V-8	350	9.0:1	4.0"	3.31-64"	4-Barrel	4-Spd., 4-Spd. Close Ratio T.H. 400

1978-79

Engine	Cu. In. Disp.	Comp. Ratio	Bore	Stroke	Carburetor	Transmission
Turbo Fire 350 V-8	350	8.5:1	4.0"	3.31-64"	4-Barrel	4-Spd., T.H. 350
Turbo Fire 350 V-8	350	9.0:1	4.0"	3.31-64"	4-Barrel	4-Spd. Close Ratio, T.H. 350

1980

Engine	Cu. In. Disp.	Comp. Ratio	Bore	Stroke	Carburetor	Transmission
*305 V-8	305	8.5:1	3.736	3.480	4-Barrel	M33 Auto.
Turbo-Fire 350 V-8	350	9.0:1	4.0"	3.31-64"	4-Barrel	4-Spd. (2.88 Low)

*California

1981

Engine	Cu. In. Disp.	Comp. Ratio	Bore	Stroke	Carburetor	Transmission
Turbo-Fire 350 V-8	350	9.0:1	4.0"	3.31-64"	4-Barrel	4-Spd. (2.88 Low) (M18)

1982

Engine	Cu. In. Disp.	Comp. Ratio	Bore	Stroke	Carburetor	Transmission
Turbo-Fire 350 V-8	350	9.0:1	4.0"	3.31-64"	4-Barrel	4-Spd. A.T. (MD8)

CORVETTE REAR AXLE IDENTIFICATION

V18

Axle Identification is stamped on differential carrier along with date of manufacture.

Type	Plant Identification	Type	Plant Identification
1955-58			
3-Speed	AH	3-Speed or 4-Speed w/Metallic Brakes (3.70 ratio)	FJ
Powerglide	AE	3-Speed or 4-Speed w/Positraction and Metallic Brakes (3.70 ratio)	FK
3-Speed w/3.27 ratio	AD	3-Speed or 4-Speed w/Positraction and Metallic Brakes (4.11 ratio)	FL
3-Speed w/4.11 ratio	AJ	3-Speed or 4-Speed w/Positraction and Metallic Brakes (4.56 ratio)	FM
3-Speed w/Positraction (3.70 ratio)	AN		
3-Speed w/Positraction (4.11 ratio)	AP	1961	
3-Speed w/Positraction (4.56 ratio)	AQ	3-Speed (3.36 ratio)	AC
Heavy Duty Brake & Suspension w/Positraction (3.70 ratio)	AS	Powerglide (3.55 ratio)	AE
Heavy Duty Brake & Suspension w/Positraction (4.11 ratio)	AT	4-Speed (3.70 Ratio)	AH
Heavy Duty Brake & Suspension w/Positraction (4.56 ratio)	AU	Positraction (3.70 ratio)	AN
		Positraction (4.11 ratio)	AP
1959			
3-Speed or 4-Speed	AH	Positraction (4.56 ratio)	AQ
Powerglide	AE	Positraction (3.36 ratio)	AF
3 or 4 Speed w/Positraction (3.70 ratio)	AN	Positraction w/H.D. Brake/Susp. (3.70 ratio)	AS
3 or 4 Speed w/Positraction (4.11 ratio)	AP	Positraction w/H.D. Brake/Susp. (4.11 ratio)	AT
3 or 4 Speed w/Positraction (4.56 ratio)	AQ	Positraction w/H.D. Brake Susp. (4.56 ratio)	AU
3 or 4 Speed w/H.D. Brake/Susp. and Positraction (3.70 ratio)	AS	Metallic Brakes (3.70 ratio)	FJ
3 or 4 Speed w/H.D. Brake/Susp. and Positraction (4.11 ratio)	AT	Positraction w/Metallic Brakes (3.70 ratio)	FK
3 or 4 Speed w/H.D. Brake/Susp. and Positraction (4.56 ratio)	AV	Positraction w/Metallic Brakes (4.11 ratio)	FL
3 or 4 Speed w/Metallic Brakes	FJ	Positraction w/Metallic Brakes (4.56 ratio)	FM
3 or 4 Speed w/Positraction and Metallic Brakes (3.70 ratio)	FK	1962	
3 or 4 Speed w/Positraction and Metallic Brakes (4.11 ratio)	FL	3-Speed (3.36 ratio)	CA
3 or 4 Speed w/Positraction and Metallic Brakes (4.56 ratio)	FM	Positraction (3.36 ratio)	CB
		Positraction (3.55 ratio)	CC
1960			
3-Speed or 4-Speed (3.70 ratio)	AH	Positraction (3.70 ratio)	CD
Powerglide (3.55 ratio)	AE	Positraction (4.11 ratio)	CE
Positraction (3.70 ratio)	AN	Positraction (4.56 ratio)	CF
Positraction (4.11 ratio)	AP	4-Speed	CG
Positraction (4.56 ratio)	AQ	w/Metallic Brakes (3.36 ratio)	CH
3-Speed or 4-Speed w/H.D. Brake/Susp. and Positraction (3.70 ratio)	AS	w/Metallic Brakes (3.55 ratio)	CJ
3-Speed or 4-Speed w/H.D. Brake/Susp. and Positraction (4.11 ratio)	AT	Positraction w/Metallic Brakes (3.36 ratio)	CK
3-Speed or 4-Speed w/H.D. Brake/Susp. and Positraction (4.56 ratio)	AU	Positraction w/Metallic Brakes (3.55 ratio)	CL
		Positraction w/Metallic Brakes (3.70 ratio)	CM
		Positraction w/Metallic Brakes (4.11 ratio)	CN
		Positraction w/Metallic Brakes (4.56 ratio)	CP
		Positraction w/H.D. Brake/Susp.	CQ

CORVETTE REAR AXLE IDENTIFICATION (Cont.)

V19

Type	Plant Identification	Type	Plant Identification
	1963		
3-Speed (3.36 ratio)	CA	Positraction (4.11 ratio)	AP
Positraction (3.08 ratio)	CJ	4-Speed (3.70 ratio)	AS
Positraction (3.36 ratio)	CB	Positraction (3.08 ratio) "427"	AT
Positraction (3.55 ratio)	CC	Positraction (3.36 ratio) "427"	AU
Positraction (3.70 ratio)	CD	Positraction (3.55 ratio) "427"	AZ
Positraction (4.11 ratio)	CE	Positraction (3.70 ratio) "427"	FA
Positraction (4.56 ratio)	CF	Positraction (4.11 ratio) "427"	FB
4-Speed (3.08 ratio)	CZ	Positraction (4.56 ratio)	FC
4-Speed (3.70 ratio)	CX		
	1964		1968
3-Speed (3.36 ratio)	CA	(3.36 ratio)	AK
Positraction (3.08 ratio)	CJ	Positraction (3.08 Ratio)	AL
Positraction (3.36 ratio)	CB	Positraction (3.36 ratio)	AM
Positraction (3.55 ratio)	CC	Positraction (3.55 ratio)	AN
Positraction (3.70 ratio)	CD	Positraction (3.70 ratio)	AO
Positraction (4.11 ratio)	CE	Positraction (4.11 ratio)	AP
Positraction (4.56 ratio)	CF	(3.70 ratio)	AS
4-Spd. (3.08 ratio)	CZ	Positraction (3.08 ratio) (H.D.)	AT
4-Speed (3.70 ratio)	CX	Positraction (3.36 ratio) (H.D.)	AU
		Positraction (3.08 ratio)	AV
		Positraction (3.08 ratio) (H.D.)	AW
	1965		1969
(3.36 ratio)	AK	(3.36 ratio)	AK
Positraction (3.08 ratio)	AL	Positraction (3.08 ratio)	AL
Positraction (3.36 ratio)	AM	Positraction (3.36 ratio)	AM
Positraction (3.55 ratio)	AN	Positraction (3.55 ratio)	AN
Positraction (3.70 ratio)	AO	Positraction (3.70 ratio)	AO
Positraction (4.11 ratio)	AP	Positraction (4.11 ratio)	AP
Positraction (4.56 ratio)	AQ	(3.70 ratio)	AS
(3.08 ratio)	AR	Positraction (3.08 ratio) (H.D.)	AT
4-Speed (3.70 ratio)	AS	Positraction (3.36 ratio) (H.D.)	AU
Positraction (3.08 ratio) "396"	AT	Positraction (3.08 ratio)	A
Positraction (3.36 ratio) "396"	AU	Positraction (3.08 ratio) (H.D.)	AW
Positraction (3.55 ratio) "396"	AZ	Positraction (2.73 ratio) (H.D.)	AY
Positraction (3.70 ratio)	FA	Positraction (3.55 ratio) (H.D.)	AZ
Positraction (4.11 ratio) "396"	FB	Positraction (3.70 ratio) (H.D.)	FA
Positraction (4.56 ratio) "396"	FC	Positraction (4.11 ratio) (H.D.)	FB
		Positraction (4.56 ratio)	FC
	1966		1970
(3.36 ratio)	AK	(3.36 ratio)	CAK
Positraction (3.08 ratio)	AL	Positraction (3.08 ratio)	CAL
Positraction (3.36 ratio)	AM	Positraction (3.36 ratio)	CAM
Positraction (3.55 ratio)	AN	Positraction (3.55 ratio)	CAN
Positraction (3.70 ratio)	AO	Positraction (3.70 ratio) 350 H/Per.,	
Positraction (4.11 ratio)	AP	4-Speed Closed Ratio)	CAO
Positraction (3.08 ratio)	AR	Positraction (4.11 ratio)	CAP
4-Speed (3.70 ratio)	AS	Positraction (3.70 ratio) 350 H/Per.,	
Positraction (3.08 ratio) "396"	AT	4-Speed Closed Ratio)	CAS
Positraction (3.36 ratio) "396"	AU	Positraction (3.08 ratio)	CAT
Positraction (3.55 ratio) "396"	AZ	Positraction (3.36 ratio)	CAU
Positraction (3.70 ratio) "396"	FA	Positraction (3.08 ratio)	CAV
Positraction (4.11 ratio) "396"	FB	Positraction (3.08 ratio) 4-Speed Automatic	CAW
Positraction (4.56 ratio) "396"	FC	Positraction (2.73 ratio)	CAY
		Positraction (3.36 ratio) 4-Speed Automatic	CAX
	1967		
(3.36 ratio)	AK	Positraction (3.55 ratio)	CAZ
Positraction (3.08 ratio)	AL	Positraction (3.70 ratio)	CFA
Positraction (3.36 ratio)	AM	Positraction (4.11 ratio)	CFB
Positraction (3.55 ratio)	AN	Positraction (4.56 ratio)	CFC
Positraction (3.70 ratio)	AO	Positraction (3.36 ratio)	CLR

NOTE: The four digit number following the type designation will designate the calendar month and data produced.
 NOTE: Plant designation is to be stamped immediately following the production date. "B" Buffalo Plant, "G" Gear and Axle Plant, and "W" Warren Plant.

CORVETTE REAR AXLE IDENTIFICATION (Cont.)

V20

Type	Plant Identification	Type	Plant Identification
1971			
Positraction (3.55 ratio)	AA	Positraction (3.08 ratio)	AW
Positraction (3.70 ratio)	AB	Positraction (3.36 ratio)	AX
Positraction (4.11 ratio)	AC	Positraction (3.36 ratio)	LR
Positraction (4.56 ratio)	AD		

1972-75			
Positraction (3.36 ratio)	AX	Positraction (3.55 ratio)	AA
Positraction (3.36 ratio)	LR	Positraction (3.08 ratio)	AW
Positraction (4.11 ratio)	AC	Positraction (2.73 ratio)	AV
Positraction (3.70 ratio)	AB		

1976-77			
Positraction (3.08 ratio)	OA	Positraction (3.55 ratio)	OB
Positraction (3.36 ratio)	LR-OD	Positraction (3.70 ratio)	OC

1978			
Positraction (3.08 ratio)	OK	Positraction (3.55 ratio)	OH
Positraction (3.36 ratio)	OM	Positraction (3.70 ratio)	OJ

1979			
Positraction (3.36 ratio)	OM	Positraction (3.70 ratio)	OJ
Positraction (3.55 ratio)	OH		

1980
 Positraction (3.07 Ratio) (DANA)

1981			
Positraction (2.87 Ratio) w/A.T.	OJ	Positraction (2.72 Ratio) w/M.T.	OK

1982
 Positraction (2.87 Ratio) (Dana)

1976 CORVETTE TRIM CHART			
SEAT TRIMS	LEATHER	INTERIOR TRIMS	SEAT RPO
Smoke Gray	152	Smoke Gray 15I	A51
Black	192	Black 19I	A51
Dark Bluegreen	322	Dark Bluegreen 32I	A51
Light Buckskin and Saddle*	642	Light Buckskin 64I and Saddle*	A51
Dark Brown	692	Dark Brown 69I	A51
Dark Firethorn	712	Dark Firethorn 71I	A51

*Custom Interior Not Available

1977 CORVETTE TRIM CHART				
SEAT TRIMS	CLOTH	LEATHER	INTERIOR TRIMS	SEAT RFO
Smoke Gray	15C	152	Smoke Gray 15I	A51
Black	19C	192	Black 19I	A51
Dark Blue	27C	272	Dark Blue 27I	A51
Light Buckskin	64C	642	Light Buckskin 64I	A51
Dark Brown	69C	692	Dark Brown 69I	A51
Dark Firethorn	72C	722	Dark Firethorn 72I	A51

1978 CORVETTE TRIM CHART				
SEAT TRIMS	CLOTH	LEATHER	INTERIOR TRIMS	SEAT RPO
Oyster White	12C	122	Oyster White 12I	AR7
Black	19C	192	Black 19I	AR7
Midnight Blue	29C	292	Midnight Blue 29I	AR7
Doeskin	59C	592	Doeskin 59I	AR7
Dark Brown	69C	692	Dark Brown 69I	AR7
Medium Red	72C	722	Medium Red 72I	AR7
Saffron	76C	762	Saffron 76I	AR7
Silver Metallic and Smoke Gray Metallic*	15C	152	Silver Metallic and 15I Smoke Gray Metallic	A51

*Available with RPO Z78 Only.

1979 CORVETTE TRIM CHART				
SEAT TRIMS	CLOTH	LEATHER	INTERIOR TRIMS	SEAT RPO
Oyster White	12C	122	Oyster White 12I	A51
Black		192	Black 19I	A51
Midnight Blue	29C	292	Midnight Blue 29I	A51
Dark Green	49C	492	Dark Green 49I	A51
Doeskin	59C	592	Doeskin 59I	A51
Medium Red		722	Medium Red 72I	A51

1980 CORVETTE TRIM CHART				
SEAT TRIMS	CLOTH	LEATHER	INTERIOR TRIMS	SEAT RPO
Oyster White	12C	122	Oyster White 12I	A51
Black		192	Black 19I	A51
Midnight Blue	29C	292	Midnight Blue 29I	A51
Dark Green		492	Dark Green 49I	A51
Doeskin	59C	592	Doeskin 59I	A51
Red		722	Red 72I	A51
Dark Claret	79C	792	Dark Claret	A51

1981 CORVETTE TRIM CHART				
SEAT TRIMS	CLOTH	LEATHER	INTERIOR TRIM	SEAT RPO
Black	19C	192	Black	A51
Midnight Blue	29C	292	Midnight Blue	A51
Medium Doeskin	64C	642	Medium Doeskin	A51
Medium Red	—	752	Medium Red	A51
Medium Cinnabar	67C	572	Medium Cinnabar	A51
Silver	—	152		

1982 CORVETTE TRIM CHART				
SEAT TRIMS	CLOTH	LEATHER	INTERIOR TRIMS	SEAT RPO
Silver Gray		132	Silver Gray	A51
Charcoal		182	Charcoal	A51
Dark Red	74C	742	Dark Red	A51
Camel	64C	642	Camel	A51
Dark Blue	22C	222	Dark Blue	A51
Silver Green Metallic		402	Silver Green Metallic	A51
Silver Beige Metallic		592	Silver Beige Metallic	A51

1963 CORVETTE PAINT COLORS

R.P.O. No.	Color	PASSENGER CAR EXTERIORS—ACRYLIC			PASSENGER CAR WHEELS—ENAMEL
		Lucite Stock No.	Rinshed-Mason Stock No.	Ditzler Stock No.	Color ♦†
916	Daytona Blue	4395-L	A-1539	DDL-12696	Daytona Blue
923	Riverside Red	2931-L	A-1138	DDL-70961	Riverside Red
941	Sebring Silver	867-96417		DDL-32312	Sebring Silver

♦Note: The above surfaces finished in baked enamel. Do not apply acrylic lacquer over the enamel color coat.
†Note: Ditzler color same as body color with DOE prefix.

1964 CORVETTE PAINT COLORS

R.P.O. No.	Color	Lucite Stock No.	Rinshed-Mason Stock No.	Ditzler Stock No.	Color
900	Tuxedo Black	88-L	A-946	DDL-9300	Tuxedo Black
912	Silver Blue	4250-L	A-1481	DDL-12546	Silver Blue
916	Daytona Blue	4395-L	A-1539	DDL-12696	Daytona Blue
923	Riverside Red	2931-LH	A-1138R	DDL-70961	Riverside Red
932	Saddle Tan	4392-L	A-1537	DDL-22269	Saddle Tan
936	Ermine White	4024-L	A-1199	DDL-8259	Ermine White
940	Satin Silver	4247-L	A-1477	DDL-32173	Satin Silver

1965 CORVETTE PAINT COLORS

Chev. Code	Color	Lucite Stock No.	Rinshed-Mason Stock No.	Ditzler Stock No.
A	Tuxedo Black	88-L	A-946	DDL-9300
C	Ermine White	4024-L	A-1199	DDL-8259
FF	Nassau Blue	4690-L	A-1747	DDL-3364
GG	Glen Green	4691-L	A-1745	DDL-3366
MM	Milano Maroon	4689-LM	A-1746M	DDL-3365
QQ	Silver Pearl	4621-L	A-1708	DDL-3314
UU	Rally Red	4688-H	A-1744	DDL-3395
XX	Goldwood Yellow	4530-LH	A-1612	DDL-3231
Y	Crocus Yellow	4620-L	A-1715	DDL-3313

1966 CORVETTE PAINT COLORS

Chev. Code	Color	Lucite Stock No.	Rinshed-Mason Stock No.	Ditzler Stock No.
900	Tuxedo Black	88-L	A-946	DDL-9300
972	Ermine White	4024-L	A-1199	DDL-8259
974	Rally Red	4688-LH	A-1744R	DDL-71491
976	Nassau Blue	4690-L	A-1747	DDL-13057
978	Laguna Blue	4710-L	A-1826	DDL-13188
980	Trophy Blue	4712-L	A-1825	DDL-13199
982	Mosport Green	4713-L	A-1827	DDL-43535
984	Sunfire Yellow	4711-L	A-1828	DDL-81540
986	Silver Pearl	4621-L	A-1708	DDL-32449
988	Milano Maroon	4689-LM	A-1746M	DDL-50706

1967 CORVETTE PAINT COLORS

Chev. Code	Color	Lucite Stock No.	Rinshed-Mason Stock No.	Ditzler Stock No.
900	Tuxedo Black	88	A 946	9300
972	Ermise White	4024-L	A 1199	8259
976	Rally Red	4688-LH	A 1744R	71491
977	Marina Blue	4850-L	A 1920	13364
977	Lynndale Blue	4833-L	A 1912	13348
980	Elkhart Blue	4834-L	A 1911	13347
983	Goldwood Green	4835-L	A 1913	43652
984	Sunfire Yellow	4711-L	A 1828	81540
986	Silver Pearl	4621-L	A 1708	32449
988	Marlboro Maroon	4836-LM	A 1914F	71584

1968 CORVETTE PAINT COLORS

Chev. Code	Color	Lucite Stock No.	Rinshed-Mason Stock No.	Ditzler Stock No.
900	Tuxedo Black	88	A 946	9300
972	Polar White	4714-L	A 2005	8631
974	Rally Red	4688-LH	A 1744R	71491
976	LeMans Blue	4908-L	A 2007	13549
978	International Blue	4909-L	A 2008	13550
983	British Green	4949-L	A 2011	43795
984	Safari Yellow	4906-L	A 2009	81621
986	Silverstone Silver	4907-L	A 2000	8596
988	Cordovan Maroon	4915-LH	A 2006M	50775
992	Corvette Bronze	4910-LH	A 2010	22969

1969 CORVETTE PAINT COLORS

Chev. Code	Color	Lucite Stock No.	Rinshed-Mason Stock No.	Ditzler Stock No.
900	Tuxedo Black	88-L	A 946	9300
983	Fathom Green	5013-L	A 2102	2079
988	Burgundy	5063-LH	A 2107M	50700
986	Cortez Silver	5032-L	A 2108	2059
976	LeMans Blue	5030-L	A 2109	2083
990	Hugger Orange	5021-LM	A 2111R	2084
984	Daytona Yellow	5026-LH	A 2119	2094
972	Can - Am White	5050-L	A 1802	8631
974	Monza Red	5027-LH	A 2120R	2089
980	Riverside Gold	5029-L	A 2122	2092

1970 CORVETTE PAINT COLORS

Chev. Code	Color	Lucite Stock No.	Rinshed-Mason Stock No.	Ditzler Stock No.
15	Laguna Gray	5134-L	A 2258	2198
27	Bridgethampton Blue	5132-L	A 2263	2199
44	Donnybrook Green	5133-L	A 2267D	2200
51	Daytona Yellow	5026-LH	A 2119	2054
62	Ontario Orange	5128-LM	A 2274G	2182
72	Monza Red	5027-LH	A 2120R	2089
77	Marlboro Maroon	5131-LH	A 2280M	71584

1971 CORVETTE PAINT COLORS

Chev. Code	Color	Lucite Stock No.	Rinshed-Mason Stock No.	Ditzler Stock No.
972	Classic White	5040L	A 1802	8631
905	Nevada Silver	5276L	A 2438	2327
976	Mulsanna Blue	5327L	A 2262	2213
979	Bridgethampton Blue	5132L	A 2263	2199
983	Brands Hatch Green	5285L	A 2447	2336
912	Sunflower	5283LH	A 2422	2338
973	Mille Miglia Red	5291LM	A 2460R	2349
989	War Bonnet Yellow	5292LM	A 2464LF	2351
987	Ontario Orange	5293LM	A 2469F	2357
988	Steel Cities Gray Firemist	5294L	A 2470D	2358

1972 CORVETTE PAINT COLORS

Chev. Code	Color	Lucite Stock No.	Rinshed-Mason Stock No.	Ditzler Stock No.
972	Classic White	5040L	A 1802	8631
924	Pewter Silver	5426L	A 2541	2629
945	Bryar Blue	5461L	A 2547	2434
979	Targa Blue	5460L	A 2544	2432
946	Elkhart Green	5462L	A 2551	2438
972	Sunflower	5283L	A 2422	2338
973	Mille Miglia Red	5291L	A 2460R	2349
989	War Bonnet Yellow	5292L	A 2464F	2357
987	Ontario Orange	5293L	A 2469F	2357
988	Steel Cities Gray Firemist	5294L	A 2470D	2358

1973 CORVETTE PAINT COLORS

Corvette Paint Code	Color Name	Fisher WA Number	Ditzler Code	Rinshed Mason	DuPont
910	Classic White	3465	8631	A 1802	5040L
914	Corvette Silver Metallic	4469	2519	A 2619	5563L
922	Corvette Medium Blue Metallic	4069	2213	A 2621	5564L
927	Corvette Dark Blue Metallic	4282	2432	A 2544	5565L
945	Corvette Blue-Green Metallic	4146	2335	A 2447	5288L
947	Elkhart Green	4284	2438	A 2551	5462L
952	Corvette Yellow	4466	2534	A 2635G	5566L
953	Corvette Yellow Metallic	4465	2535	A 2636F	5567L
976	Mille Miglia Red	4147	2349	A 2460R	5291L
980	Corvette Orange Metallic	4464	2548	A 2652F	5568L

1974 CORVETTE PAINT COLORS

Chev. Code	Color	Fisher WA Number	Ditzler	Rinshed Mason	DuPont
910	Classic White	3465	8631	A-1802	5040L
914	Silver Mist	4469	2519	A-2619	5563L
917	Gray	4547	2630	A-2698F	42817LH
922	Medium Blue	4069	2213	A-2621	5564L
948	Dark Green	4548	2644	A-2706F	42816L
956	Bright Yellow	3893	2094	A-2119	5026LH
968	Dark Brown	4328	2543	A-2647D	5483L
974	Medium Red	4533	2658	A-2718F	5477L
976	Mille Miglia	4147	2349	A 2460R	5291LM
980	Orange	4464	2548	A-2652F	5568LM

1975 CORVETTE PAINT COLORS

Chev. Code	Color	Fisher WA Number	Ditzler	Rinshed Mason	DuPont
10	White	3465	8631	A 1802	5040L
13	Silver	4322	2518	A 2618	43537L
22	Med. Blue	4672	2744	A-2797	43467L
27	Dk. Steel Blue	4671	2747	A 2800F	43466LH
42	Bright Green	4670	2749	A 2830G	43465LH
56	Bright Yellow	4669	2756	A 2809	43464LH
67	Merl Saddle	4668	2762	A 2815D	43463L
70	Flame Red	4667	2764	A 2817R	43462LM
74	Red Irid	4533	2658	A 2718F	42810LM
76	Red	4147	2349	A 2460R	5291LM

1976 CORVETTE PAINT COLORS

Chev. Code	Color	Fisher WA Number	Ditzler	Rinshed Mason	DuPont
10	White	3465	8631	A-1802	5040L
13	Silver	4322	2518	A-2618	43537L
22	Med. Blue	4672	2744	A-2797	43467L
56	Bright Yellow	4669	2756	A-2809	43464LH
70	Flame Red	4667	2764	A-2817R	43462LM
72	Med. Red	4460	2544	A-2648F	5489LM
69	Dk. Brown Met.	4518	2656	A-2716	42804L
37	Mahogany Met.	4759	2864	A-2931G	44131LM
64	Buckskin Met.	4785	2869	A-2938	44180L
33	Dk. Green Met.	4888	2877	A-2993	44171LH

1977 CORVETTE PAINT COLORS

COLOR NAME	BODY PLATE PAINT OR TRIM CODE		DITZLER	DUPONT	RINSHED-MASON	
EXTERIOR	CODE					
Corvette Classic White	10		8631	5040 L	A 1802	
Antique White	11		7058	5338 L	A 2080	
Silver	13		2953	44716 L	A 8680	
Medium Gray	16		2954	44723 L	A 8681	
Black	19		9300	99 L	A 946	
Light Blue	21		2815	44133 L	A 2929	
Light Blue	22		2955	44171 L	A 8682	
Corvette Light Blue	26		2957	44725 L	A 8683	
Corvette Dark Blue	28		2958	44726 LH	A 8684G	
Dark Blue	29		2959	44718 L	A 8685	
Light Lime	32		2960	44771 LH	A 8686F	
Firethorn	36		2811	47953 LM	A 2916F	
Dark Aqua	38		2961	44714 L	A 8687	
Medium Green	44		2964	44719 LH	A 8690	
Dark Blue Green	48		2965	44720 LH	A 8691	
Cream Gold	50		2884	44178 L	A 2996	
Bright Yellow	51		2094	44139 LH	A 2936D	
Corvette Yellow	52		2988	44822 LH	A 8693F	
Light Buckskin	61		2869	44713 L	A 2999	
Buckskin	63		2970	44722 L	A 8695D	
Bright Orange	64		2968	44790 LH	A 8686R	
Corvette Orange	66		2556	44776 LM	A 8775	
Brown	69		2972	44721 LH	A 8698F	
Red	72		2973	44770 LH	A 8699F	
Light Red	75		2546	5485 LM	A 2650F	
Orange	78		2976	44715 LM	A 8702F	
Corvette Tan Buckskin	80		2978	44772 L	A 8704	
Corvette Dark Red	83		2979	44727 LM	A 8705F	
Medium Blue	85		2980	44724 L	A 8776	
INTERIOR COLORS	CORVETTE LHM COMBINATIONS		GLOSS			
White			SG	8655	9625 L	A 4402
Black			SG	9387	99 L	A 4401
			Flat			A 4400
Dark Blue			SG	15075	43615 LH	A 8752
Medium Saddle			SG	23797	10003 L	
Dark Brown			SG	24104	43620 LH	A 4728
Light Buckskin			SG	24174	43963 LH	A 4720
Dark Gray			SG	33034	9982 L	
			Flat		10005 LH	A 4403
Light Gray			SG		43622 L	
Light Smoke Gray			SG	33187	43964 L	A 2901
Medium Red			SG	72746	44267 LH	A 8760R
Dark Red			SG		44266 LH	
			Flat		44268 LM	

1978 CORVETTE PAINT COLORS

COLOR NAME		BODY PLATE PAINT OR TRIM CODE	DITZLER	DUPONT	RINISHED-MASON
EXTERIOR	CODE				
Dark Gray Poly	07	(Two-Tone)	2862	44146	A2928
Classic White	10		8631	5040	A1802
Silver Poly	13		2953	44716	A8680
Black	19		9300	99	A946
Frost Blue	26		3080	45208	A9373
Yellow	52		3072	45276	A9484F
Frost Beige	59		3087	45205	A9380
Red	72		2973	44770	A8699F
Mahogany Poly	82		2864	44131	A2931G
Dark Blue Poly	83		3074	45209	A9393
Brown Poly	89		2656	42804	A2716
INTERIOR COLORS		TRIM COMBINATION NUMBER			
Oyster White	12		90101		
Black	19		9387	99	
Midnight Blue	29		15173	45237	
Dark Brown	69		24104	43620	
Light Doeskin	59		24536	45236	
Saffron	76		24537	45233	
Light Gray	16		33291	45225	
Medium Red	72		72246	44267	
UPPER INSTR. PNL. COLOR					
Black			9317		

1979 CORVETTE PAINT COLORS

Color Name	Code	Ditzler	Dupont	Finish ⁺ Mason
Classic White	10	8631	5040	A1802
Silver Metallic	13	2953	44716	A8680
Black	19	9300	99	A946
Frost Blue	28	3080	45208	A9373
Yellow	52	3072	45276	A9484F
Dark Green Metallic	58		45834	A9808
Frost Beige	59	3087	45205	A9380
Hilton Brown Metallic	67	2656	42804	A2716
Medium Red	72	2973	44770	A8699F
Dark Blue Metallic	83	3074	45209	A9393

1980 CORVETTE PAINT COLORS

COLOR NAME	CODE	DITZLER	DUPONT	RENISHED-MASON
Classic White	10	8631	5040	A1802
Silver Metallic	13	2953	44716	A8680
Black	19	9300	99	A946
Dark Claret Metallic	76			
Yellow	52	3072	45276	A9484F
Dark Green Metallic	58		45834	A9808
Frost Beige	59	3087	45205	A9380
Hilton Brown Metallic	67	2656	42804	A2716
Medium Red	83	3074	45209	A9393
Dark Blue Metallic	28	3080	45208	A9373

1981 CORVETTE PAINT COLORS

COLOR NAME	CODE	DITZLER	DUPONT	RINSHED-SON
White	10	*8531	5040	*1807
Silver Metallic	13	*2953	44716	*8580
Black	19	*9300	99	*A346
Brt. Blue Metallic	24	3340		12205G
Dark Blue Metallic	28	*3074	45209	*12206D
Yellow	52	*3236	88054	*11434V
Frost Beige	59	*3087	45205	*5380
Red	75	3332	88115	12229V
Maroon Metallic	79	3341	88126	12237V
Charcoal Metallic	84	*3223	88012	*11421

* --- Carry Over Color

1982 CORVETTE PAINT COLORS

COLOR NAME	CODE	DITZLER	DUPONT	RINSHED MASON
White	10	8531	5040	
Silver Met	13	3407	88252	12650D
Black	19	9300	99	A 346
Silver Blue Met	24	3409	88285	12657D
Dk Blue Met	28	3410	88291	12658D
Brt Blue Met	31	3413	88287	12660D
Charcoal Met	39	3414	88265	12651D
Silver Green Met	40	3415	88286	12652
Gold Met	56	3425	88289	12673G
Silver Beige Met	59	3429	88240	12700
Dk Claret	99	3452	88265	8761

GM PRODUCTION OPTIONS

RPO	FY	LY	DIVISIONAL RPO DESCRIPTION	WDDGM RPO DESCRIPTION
AA3	82	84	GLASS DEEP TINT	W/DEEP TINT GLS(AA3)
AB1	84	84	WINDOW,RR QUARTER,W/ORNAMENTAL ILLUMINATION	W/RR QTR WDO(AB1)
AB3	84	84	SEATING ARRANGEMENT,SIX PASSENGER	W/AB3
AB5	82	84	LOCK,SI DR ELEC(KEY ACTIVATED)	W/ELEC DR LK(AB5)
AB6	82	84	WINDOW,RR INSERT	W/RR WDO INSERT(AB6)
AB7	76	81	WINDOW,LOUVERED QUARTER	W/LUV WDO(AB7)
AB7	84	84	WINDOW,HINGED TAILGATE	W/T/GATE WDO(AB7)
AB8	76	83	WINDOW,RR QTR FORMAL STYLE	W/FORMAL WDO(AB8)
AC1	76	84	ADJUSTER,6-WAY PWR,PASS ST	W/6-WAY(AC1)
AC2	76	84	GLASS,SLDG WDO RT FRT DR	W/SLDG WDO GLS(AC2)
AC3	76	84	ADJUSTER,6-WAY PWR BKT,DRIVER ST	W/6-WAY(AC3)
AC6	76	81	ADJUSTER,6 WAY PWR BKT,PASS	W/6-WAY PASS(AC6)
AD2	76	81	PROP,HOLD OPEN,RR COMPT FLOOR	W/COMPT HOLD OPEN PROP(AD2)
AD3	76	84	GLASS,HGE RF WDO	W/HGE RF WDO GLS(AD3)
AD5	76	84	GLASS,SI WDO,RR SLDG	W/SLDG SI WDO GLS(AD5)
AD7	76	81	WINDOW,RR QTR TEARDROP,LESS LOUVERS	W/TEARDROP WDO LESS LUV(AD7)
ADB	76	84	CHECK,RR DR	W/RR DR CHK(ADB)
AD9	82	84	ADJUSTER,2-WAY PWR,DRIVER ST	W/2-WAY(AD9)
AE1	76	81	GLASS,RF PNL,REMOVABLE	W/REM RF GLS(AE1)
AE2	76	81	GLASS,RF PNL,REMOVABLE,W/WLDG & MAN GLS	W/REM RF GLS(AE2)
AF2	84	84	GLASS,FIXED SIDE-LH(UTILITY BODY)	W/AF2
AF3	84	84	GLASS,FIXED SIDE-RH(UTILITY BODY)	W/AF3
AF4	82	84	ADJUSTER,6-WAY MAN,DRIVER & PASS	W/6-WAY(AF4)
AF5	82	84	SEAT ASM,EASY ENTRY,PASS	W/AF5
AF6	84	84	SEAT ASM,FRONT BENCH,2' PASS	W/AF6
AF7	84	84	SEAT ASM,FRT BH,SPT BK,W/CTR A/RST,2 PASS	W/AF7
AF9	84	84	SEAT ASM,RECLINING BUCKET,PASS & DR	W/AF9
AG1	76	84	ADJUSTER,6-WAY PWR,DRIVER ST(60-40)(VAR 2)	W/6-WAY(AG1)
AG2	76	84	ADJUSTER,6-WAY PWR,PASS ST(60-40)(VAR 3)	W/6-WAY(AG2)
AG3	82	84	ADJUSTER,2 POS MEMORY	W/2 POS MEMORY(AG3)
AG6	82	84	ADJUSTER,2-WAY MAN,PASS ST	W/2-WAY(AG6)
AG7	76	81	ADJUSTER,6-WAY PWR,DRIVER 50-50	W/6-WAY(AG7)
AG8	82	83	ADJUSTER,2-WAY MAN,DRIVER ST	W/2-WAY(AG8)
AH4	82	83	SEAT ASM,EASY ENTRY,DRIVER	W/AH4
AH5	82	83	SEAT ASM,EASY ENTRY,PASS	W/AH5
AH6	82	84	GLASS,BK DR(COMMERCIAL BODY)	W/AH6
AH7	82	84	GLASS,FRT WDO(COMMERCIAL BODY)	W/AH7
AH8	82	84	GLASS,SI ACCESS LH DR(COMMERCIAL BODY)	W/AH8
AH9	82	84	GLASS,SI ACCESS RH DR(COMMERCIAL BODY)	W/AH9
AJ1	76	81	GLASS,ONE WAY	W/ONE WAY GLS(AJ1)
AJ1	82	84	GLASS,DEEP TINT	W/DEEP TINT GLS(AJ1)
AJ2	82	84	SEAT ASM,JUMP	W/AJ2
AJ4	76	84	SEAT BELT GUIDE LOOP(EXPORT)	W/AJ4(EXPORT)
AJ8	76	84	SEAT ASM,FRT TRAVEL BED	W/AJ8
AJ9	76	84	SEAT ASM,CTR RR TRAVEL BED	W/AJ9
AK1	76	84	BELTS,FRT CTR,RR ST & FRT SHLDR(OLX)	W/DLX BELTS(AK1)
AL4	76	81	SEAT,RR BKT SWIVEL	W/AL4
AM3	84	84	SEAT ASM,FRT BENCH,FULL BK,W/CTR A/RST	W/AM3
AM4	84	84	SEAT ASM,FRT BENCH,SPL BK,W/O CTR A/RST	W/AM4
AM6	76	84	SEAT ASM,FRT SPLIT W/CTR ARM,REST(60-40)	W/AM6
AM7	76	84	SEAT ASM,RR FLDG	W/AM7
AM8	76	81	SEAT ASM,RR FOLDING AUXILIARY	W/AM8
AM9	76	84	SEAT ASM,RR SPLIT BACK FOLD DOWN	W/AM9
AN1	76	81	SEAT ASM,BENCH FOLDING	W/AN1
AN5	76	84	SEAT ASM,FRT SPLIT,PASS RECL(40-40)	W/AN5
AN6	76	81	SEAT BACK,ADJ DRIVER SIDE	W/AOJ D/ST BK(AN6)
AN7	76	83	SEAT ASM,FRT BKT(SWIVEL)	W/AN7
AP7	76	84	PARTITION,SLDG(PLYWOOD)(UNION CITY BODY)	W/SLDG PART(AP7)
AQ3	76	84	SEAT ASM,CTR RR	W/AQ3
AQ4	76	84	SEAT ASM,RR	W/AQ4
AQ9	76	84	SEAT ASM,FRT BKT,PASS RECL	W/AQ9
AR3	76	81	AIR CUSHION RESTRAINT	W/AR3
AR4	76	81	RESTRAINT SYSTEM,SEAT BELT & SHLDR HARNESS	W/AR4
AR5	76	81	SEAT ASM,FRT BKT W/RECL	W/AR5
AR6	76	84	RESTRAINT SYSTEM,FRT ST(DIV 1-2-3-4 EXPORT)	W/AR6(EXPORT)
AR6	76	84	RESTRAINT SYSTEM,FRT ST(DIV 6)	W/AR6
AR7	76	81	SEAT ASM,BKT	W/AR7
AR9	76	84	SEAT ASM,FRT BKT RECL(EUROPEAN STYLE)	W/AR9
AS1	82	84	SEAT ASM,HIGH BACK BKT,DRIVER	W/AS1
AS2	82	84	SEAT ASM,HIGH BACK BKT,PASS	W/AS2
AS3	76	84	SEAT ASM,RR	W/AS3
AS5	84	84	SEAT ASM,FRT BUCKET DELUXE	W/AS5
AS7	76	84	SEAT ASM,FRT SPLIT (45-45)	W/AS7

GM PRODUCTION OPTIONS

RPO	FY	LY	DIVISIONAL RPO DESCRIPTION	WDDGM RPO DESCRIPTION
AS8	76	84	BELTS, W/RETR. FRT ST & SHLDR	W/AS8
AT5	76	84	SEAT ASM, CTR FLDG(SUBURBAN)	W/AT5
AT6	76	84	BACK, PASS MAN RECL ST	W/MAN RECL(AT6)
AT8	76	84	SEAT ASM, FRT SPLIT ADJ RECL(50-50)	W/AT8
AU2	76	84	LOCK, CARGO DR	W/CARGO DR LK(AU2)
AU3	76	84	LOCK, SI DR ELEC	W/ELEC DR LK(AU3)
AU4	76	84	LOCK, SI DR AUTO ELEC	W/ELEC DR LK(AU4)
AU5	76	83	LOCK, FRT ST BACK & DR, ELEC	W/ELEC ST & DR LK(AU5)
AU6	76	84	LOCK, TAILGATE REL, ELEC	W/ELEC T/GATE LK(AU6)
AV2	76	83	CAMPER HOLD DOWN EQUIPMENT	W/CAMPER HOLDN(AV2)
AV3	84	84	FASTENER, CARGO TIE DOWN	W/AV3
AV5	76	84	SEAT ASM, HIGH BACK BKT	W/AV5
AV7	76	84	SEAT ASM, FRT SPLIT, NON-RECL(50-50)	W/AV7
AV9	76	81	SEATING REQUIREMENTS, JAPAN(EXPORT)	W/AV9(EXPORT)
AW2	83	83	ADJUSTER, 6-WAY MANUAL, DRIVER SIDE	W/6-WAY(AW2)
AW3	83	83	ADJUSTER, 6-WAY MANUAL, PASSENGER SIDE	W/6-WAY(AW3)
AW4	76	84	LINK, SLDG RR SI DR EXTENDER	W/AW4
AW5	82	84	SEATING REQUIREMENTS, EXPORT RELOCATION	W/AW5(EXPORT)
AW9	82	84	SECURITY GROUP, QTR STOW & LUG COMPT	W/SECURITY GRP(AW9)
AX3	84	84	KEYLESS ENTRY SYSTEM	W/AX3
AX4	82	84	BELTS, ST & FRT SHLDR HARN(EXPORT)	W/AX4(EXPORT)
AX5	82	84	PARTITION, EXPANDED METAL, DRIVERS SI	W/AX5
AX6	82	84	PARTITION, EXPANDED METAL, W/RH SLDG DR	W/AX6
AX7	82	84	PARTITION, EXPANDED METAL, W/CTR SLDG DR	W/AX7
AX8	82	83	SEAT ASM BKT PEDESTAL, W/ST BELTS, DRIVER	W/AX8
AX9	82	84	LATCH, RR CARGO DR	W/RR CARGO DR LAT(AX9)
AY9	82	84	ADJUSTER, 6-WAY PWR, SPLIT ST	W/6-WAY(AY9)
A01	76	84	GLASS, TINTED(ALL WOODS)	W/TNTD GLS(A01)
A02	76	84	GLASS, TINTED(W/S SHADED UPR)	W/TNTD W/S GLS(A02)
A07	76	84	GLASS, BODY	W/BODY GLS(A07)
A08	76	84	GLASS, BODY RH SI	W/RH BODY GLS(A08)
A12	76	84	GLASS, RR DR FIXED	W/BK DR GLS(A12)
A13	76	84	GLASS, SI DR FIXED	W/SI DR GLS(A13)
A17	82	81	GLASS, LH SWING OUT	W/SWING OUT GLS(A17)
A18	76	84	GLASS, DR SWING OUT	W/SWING OUT GLS(A18)
A19	76	84	GLASS, SI RR DR SWING OUT	W/SWING OUT GLS(A19)
A20	76	84	GLASS, RR QTR VENT SWING OUT	W/SWING OUT GLS(A20)
A26	76	84	UNITED KINGDOM & EUROPEAN GLAZING	W/A26(EXPORT)
A28	76	84	GLASS, RR WDO SLDG	W/SLDG RR WDO(A28)
A31	76	84	WINDOW, ELEC CONT	W/ELEC WDO(A31)
A32	76	84	WINDOW, ELEC OPERATED FRT DR	W/ELEC WDO(A32)
A33	76	84	WINDOW, ELEC CONT T/GATE	W/ELEC T/GATE WDO(A33)
A40	76	81	WINDOW, ELEC OPERATED RR VENT	W/ELEC RR VENT(A40)
A42	76	84	ADJUSTER, 6-WAY PWR ST	W/6-WAY(A42)
A44	76	81	ADJUSTER, 2-WAY MAN, BKT ST	W/2-WAY BKT(A44)
A51	76	84	SEAT ASM, FRT BKT	W/A51
A52	76	84	SEAT ASM, FRT BENCH	W/A52
A53	83	83	ADJUSTER, 6-WAY MAN DRIVER & 2-WAY MAN PASS	W/6-WAY & 2 WAY(A53)
A57	76	84	SEAT ASM, AUX PASS	W/A57
A65	76	84	BACK, FRT ST W/CTR ARM REST, SPLIT ST	W/A65
A70	76	84	WINDOW, REM CONT RR VENT	W/REM CONT RR VENT(A70)
A75	76	84	CUSHION, W/BK SPR, H D, FRT ST	W/H D, FRT ST(A75)
A76	76	84	CUSHION, W/BK SPR, H D, RR ST	W/H D, RR ST(A76)
A77	76	81	AUTO SEAT BELT RESTR SYSTEM (3 POINT)	W/A77
A78	76	84	BACK, RECL/PASS ST & DRIVER ST MAN	W/MAN RECL(A78)
A79	76	84	BACK, MAN RECL, DRIVER ST	W/MAN RECL(A79)
A80	76	84	BACK, ELEC RECL, DRIVER ST	W/DR ELEC RECL(A80)
A81	76	84	BACK, ELEC RECL, PASS ST	W/PASS ELTC RECL(A81)
A90	76	84	LOCK, RR COMPT LID, REM CONT, ELEC REL	W/ELEC COMPT LID(A90)
A91	76	84	PULLDOWN, RR COMPT LID	W/DECK LID PULLDOWN(A91)
A93	76	84	LOCK, QTR STOW COMPT	W/STOW COMPT LK(A93)
A95	82	84	SEAT ASM, FRT BKT, HI-BK RECL, DRIVER & PASS	W/A95
A96	76	84	LOCK, LUG & SPA TIRE COMPT	W/LUG COMPT LK(A96)
A99	76	81	LOCK, I/P COMPT	W/G/BX LK(A99)
BA8	76	84	COMPARTMENT, FRT ST STOR	W/FRT ST STOR COMPT(BA8)
BB4	76	84	INTERIOR ORNAMENTATION, DR TR PNL MAP PKT	W/MAP PKT & REFL(BB4)
BB5	76	84	INTR ORNA, HEADLINER(TRUCK)	W/INTR ORNA(BB5)
BB8	76	84	MOLDING, DR TR	W/DR TR MLDG(BB8)
BC1	76	81	INTERIOR ORNAMENTATION, BRUSHED ALUMINUM	W/BRUSHED ALUM(BC1)
BC1	82	84	PANEL, INSTR(PARK AVE)	W/PK AVE I/P(BC1)
BC2	76	81	INTERIOR ORNAMENTATION, WDDGRN INST CLUSTER	W/WDDGRN I/P(BC2)
BC2	82	83	PANEL, INSTR(ELECTRA EST WAGON)	W/ELECTRA EST I/P(BC2)

GM PRODUCTION OPTIONS

RPO	FY	LY	DIVISIONAL RPO DESCRIPTION	WDDGM RPO DESCRIPTION
BC3	76	84	PANEL, INSTR (DLX)	W/DLX I/P (BC3)
BC5	76	81	INTERIOR ORNAMENTATION, LOAD COMPT PNLS, CPTD	W/CPTD LOAD FLR (BC5)
BC8	84	84	INTERIOR ORNAMENTATION, DOOR POCKET (RH & LH)	W/OR PKT ORNA (BC8)
BD1	84	84	MOLDING, ROCKER PNL (DELETE)	(EXC RKR PNL MLDG)
BE1	84	84	INTERIOR ORNAMENTATION (EXPORT)	W/INT ORNA (BE1) (EXPORT)
BF2	76	84	CARPET, DLX	W/DLX CPT (BF2)
BF3	82	84	MATS, STEPWELL	W/BF3
BF4	84	84	CARPET, CUSTOM	W/CUST CPT (BF4)
BF9	76	81	INSULATOR & PAD, FLR MAT	W/BF9
BG3	82	83	FILLER, RR FLR PNL	W/BG3
BG7	76	81	CARPET, WHEELHOUSE	W/W/H CPT (BG7)
BG9	76	81	MAT, RUBBER, FRT & RR	W/PBR MAT (BG9)
BS1	76	84	INSULATION, ACOUSTICAL	W/INSL (BS1)
BS2	76	84	INSULATION, ACOUSTICAL (SPL)	W/SPL INSL (BS2)
BS4	84	84	INSULATOR, CAB BACK PANEL	W/CAB BK INSL (BS4)
BS6	84	84	DOOR SEAL, AUXILIARY	W/AUX DR SEAL (BS6)
BT1	76	81	POLICE CAR	W/POLICE (BT1)
BV1	76	81	MOLDING, SI WDO RVL, BRIGHT & PAINTED	W/WDO RVL MLDG (BV1)
BV2	76	84	MOLDING, COMPT LID	W/COMPT LID MLDG (BV2)
BV3	84	84	INTERIOR ORNAMENTATION, I/P (BLACK)	W/I/P ORNA (BV3)
BV6	84	84	CYLINDER, PAINTED DOOR LOCK	W/BV6
BV7	84	84	APPLIQUE, PILLAR (DELETE)	(EXC PLR APLO)
BV8	82	84	HANDLE, DR (DLX)	W/DLX DR HOL (BV8)
BV9	82	83	MOLDING, SI (DLX)	W/DLX SI MLOG (BV9)
BW1	82	84	ORNAMENTATION, RR END EXTR	W/EXTR ORNA (BW1)
BW2	76	84	MOLDING, BODY SI (DLX)	W/BODY SI MLDG (BW2)
BW3	84	84	EXTERIOR ORNAMENTATION, ROOF WDO TR (PAINTED)	W/RF WDO EXT. ORNA (BW3)
BW5	76	81	EXTERIOR ORNAMENTATION, SIM ROLL BAR	W/ROLL BAR (BW5)
BW6	76	81	EXTERIOR ORNAMENTATION, BODY SI DECOR	W/BODY SI DECOR (BW6)
BW7	76	84	APPLIQUE, PLR	W/PLR APLO (BW7)
BX1	76	84	ORNAMENT, FRT END SPL EXTR	W/SPORT PKG (BX1)
BX2	76	84	MOLDING, BODY SI LWR (WIDE)	W/BODY SI WIDR LWR (BX2)
BX3	76	84	ORNAMENTATION, WOODGRAIN EXTR	W/WOGRN (BX3)
BX4	76	84	MOLDING, BODY SI	W/BODY SI MLOG (BX4)
BX5	76	84	MOLDING, RF DRIP (PAINTED)	W/BX5
BX6	76	84	ORNAMENTATION, MOLDING & APPLIQUE EXTR	W/EXTR ORNA (BX6)
BX8	76	84	MOLDING, FRT FDR BODY SI (TAILGATE)	W/BX8
BX9	76	84	ORNAMENT, FRT END PNL & MLOG (HOOD)	W/EXTR ORNA (BX9)
BY1	76	84	EMBLEM, BODY	W/BODY EMB (BY1)
BY7	76	81	HEADLINER, HARDBOARD, FOAM & PERFORATED VNL	W/CUST HDLNG (BY3)
BY4	84	84	ORNAMENTATION, I/P MONOGRAM (GRAND NATIONAL)	W/GRAND NATIONAL I/P ORNA (BY4)
BY8	76	84	ORNAMENT, FRT DECOR PLT EXTR	W/EXTR ORNA (BY8)
BIQ	76	81	LOCK, TAILGATE, PWR	W/ELEC T/GATE LK (BIQ)
B22	76	81	APPEARANCE PACKAGE	W/B22
B3D	76	84	SCHOOL BUS EQUIPMENT	W/B3D
B3J	84	84	DIESEL EQUIPMENT PKG	W/B3J
B3M	76	84	SCHOOL BUS EQUIPMENT, DLX	W/B3M
B4Q	84	84	STEERING COLUMN, TILT (DELETE)	(EXC TILT WHL) (EXPORT)
B4T	84	84	GLASS, EUROPEAN (DELETE)	(EXC EUROPEAN GLS) (EXPORT)
B4W	84	84	WINDOW, POWER OPERATED	W/B4W (EXPORT)
B4X	76	81	SPORT APPEARANCE PACKAGE	W/SPORT PKG (B4X)
B5Q	82	83	EMISSION SYSTEM, CALIF BACK-UP	W/B5Q
B5R	76	81	ALUMINUM MANIFOLD	W/ALUM MANIF (B5R)
B5T	82	83	EMISSION SYSTEM, BACK-UP	W/B5T
B5Y	82	84	CLUSTER, ELEK (BACK-UP SYSTEM)	W/B5Y
B7K	82	83	INJECTION, ELEK FUEL (2-PORT, W/O CONVR)	W/B7K
B7L	82	83	INJECTION, ELEK FUEL (8-PORT, W/CONVR)	W/B7L
B7M	82	83	INJECTION, ELEK FUEL (8-PORT, W/O CONVR)	W/B7M
BQ2	76	81	SPECIAL BODY, TAXI CAB	W/TAXI (BQ2)
BQ5	82	84	ARMORED VEHICLE MODIFICATIONS	W/BQ5
BQ7	76	81	SPECIAL BODY, POLICE CAR (VAR 2)	W/POLICE (BQ7)
BQ9	76	81	POLICE GROUP, FREEWAY ENFORCER	W/POLICE (BQ9)
B18	76	84	ORNAMENT, DLX INTR	W/B18
B19	76	84	ORNAMENTATION, CUSTOM INTERIOR	W/CUST INT ORNA (B19)
B20	76	84	ORNAMENT, LUX INTR	W/B20
B22	76	83	EMBLEM, DR INR PNL	W/B22
B23	84	84	SPOILER, RR WHL OPENING	W/RR WHL SPLR (B23)
B24	84	84	MOLDING, SI WDO RVL	W/WDO RVL MLDG (B24)
B25	82	84	TRIM, LUG COMPT (DLX)	W/DLX COMPT TR (B25)
B26	76	84	ORNAMENT, INTERIOR, FRT DOOR HANDLE	W/B26
B28	76	81	MAT, FRT & RR FLR	W/B28
B29	82	84	ORNAMENT, INTERIOR RR DOOR HANDLE	W/B29
B30	76	84	CARPET, FLR & WHLSE	W/B30

GM PRODUCTION OPTIONS

RPO	FY	LY	DIVISIONAL RPO DESCRIPTION	WOGM RPO DESCRIPTION
B32	76	84	MAT FRT FLR	W B32
B33	76	84	MAT RR FLR	W B33
B34	76	84	MATS FRT FLR(CARPET INSERT)	W B34
B35	76	84	MATS RR FLR(CARPET INSERT)	W B35
B36	76	84	MAT LUG COMPT	W B36
B37	76	84	MAT FRT & RR	W B37
B39	76	84	CARPET LOAD FLR	W CPT LOAD FLR(B39)
B42	76	83	MAT LUG COMPT FLR CVR	W COMPT FLR MAT(B42)
B44	76	81	CARPET LOAD FLR LOOSE	W CPTD LOAD FLR(B44)
B46	76	84	TRIM SPL ORDER EQUIPMENT	W SPL TR(B46)
B48	76	82	TRIM LUG COMPT(DLX)	W DLX COMPT TR(B48)
B49	76	81	COVERING FRT & RR FLR DLX CARPET	W FRT & RR FLR CRT(B49)
B51	76	84	MOLDING PKR PNL(EXTRA WIDE)	W WIDE MLDG(B51)
B53	76	84	MAT FRT FLR(CARPET INSERT)(DLX)	W B53
B54	82	84	MAT RR FLR(CARPET INSERT)(DLX)	W B54
B56	76	84	MOLDING PKR PNL EXTRA WIDE(BLACK)(DLX)	W WIDE MLDG(B56)
B57	76	84	TRIM EXTRA DLX	W DLX EXTRA TR(B57)
B65	76	83	COVERING FLR & SI WALL-TRUNK COMPT	W LUG COMPT LNG(B65)
B69	76	81	INSULATOR, ROOF	W RF INSL(B69)
B71	76	84	MOLDING WHL OPG(CUSTOM)	W B71
B72	76	84	MOLDING BELT REVEAL PAINTED	W B72
B74	76	84	MOLDING WHL OPG(BLACK)	W WHL OPG MLDG(B74)
B75	76	84	LINING LUG COMPT	W LUG COMPT LNG(B75)
B77	76	84	MOLDING W'S RVL	W W'S RVL MLDG(B77)
B79	76	84	ORNAMENTATION, RR END EXTR	W RR END ORNA(B79)
B80	76	84	MOLDING RF DRIP	W DRIP MLDG(B80)
B81	84	84	MOLDING BODY SI (DELETE)	(EXC BODY SI MLDG)
B82	84	84	EMBLEM BODY (DELETE)	(EXC BODY EMB)
B83	76	84	MOLDING PKR PNL	W PKR PNL MLDG(B83)
B84	76	84	MOLDING BODY SI	W BODY SI MLDG(B84)
B85	76	84	MOLDING BODY SI(LT TRUCK)	W BODY SI MLDG(B85)
B85	76	84	MOLDING BELT RVL(PASS CAR)	W BELT RVL(B85)
B86	76	81	MOLDING BODY RR	W SI QTR LWR MLDG(B86)
B88	76	84	MOLDING BODY SI(CUSTOM)	W BODY SI MLDG(B88)
B89	76	84	MOLDING BK WDO RVL	W BK WDO RVL MLDG(B89)
B90	76	84	MOLDING SI WDO RVL	W SI WDO RVL MLDG(B90)
B91	76	81	MOLDING BODY SI UPR	W BODY SI MLDG(B91)
B91	82	84	MOLDING DR EDGE GUARD(SPL)	W MLDG(B91)
B93	76	84	MOLDING DR EDGE GUARD	W MLDG(B93)
B94	76	84	EMBLEM BODY(VAR 2)	W BODY EMB(B94)
B95	76	81	LOUVER BODY SI	W BODY LUV(B95)
B96	76	84	MOLDING WHL OPG	W WHL OPG MLDG(B96)
B97	76	84	SPOILER, RR FDR	W RR WHL SPLR(B97)
B98	76	81	MOLDING SI TRIM TRUCK	W BODY SI MLDG(B98)
B99	84	84	MOLDING WHL OPG (DELETE)	(EXC WHL OPG MLDG)
CA1	76	83	ROOF, STEEL SLDG SUN, ELEC	W ELEC SUN RF(CA1)
CA2	76	84	COVERING, EXTR SOFT TR RF-DELETE	(EXC VNL RF)
CA9	76	83	ROOF, VINYL PADDED FULL TOP(HALO TYPE)	W FULL VNL(CA9)
CB4	76	84	ROOF, VINYL PADDED RR HALF(LANDAU)	W RR VNL(CB4)
CB5	76	84	ROOF, VINYL PADDED FULL TOP	W FULL VNL(CB5)
CB6	76	81	ROOF, VINYL PADDED, W/HALO MLDG, FULL TOP	W HALO TOP(CB6)
CB7	76	84	ROOF, VINYL PADDED, LANDAU-FRONT	W FRT VNL(CB7)
CB8	76	81	TOP, REMOVABLE	W REM TOP(CB8)
CC1	76	84	PANELS, GLS RF HATCH REMOVABLE	W HATCH RF(CC1)
CC2	76	81	ROOF, VINYL PADDED, REAR HALF	W RR VNL(CC2)
CC3	82	84	ROOF, REMOVABLE PNL(TRANSPARENT PLASTIC)	W CLEAR RF PNL(CC3)
CD2	76	84	INDICATOR, LOW WSWA FLUID	W LOW FLUID IND(CD2)
CD4	76	84	WASHER & WIPER, PULSE W/S	W PULSE WPR(CD4)
CE4	84	84	WASHER, HEADLAMP HIGH PRESSURE	W CE4
CF4	76	81	ROOF, GLS SLDG SUN, MANUAL	W SUNRF(CF4)
CF5	76	84	ROOF, GLS SLDG ELEC(ASTRO)	W ASTRO RF(CF5)
CF8	82	84	ROOF, VNL(SIMULATED, CONVERTIBLE)	W SIMULATED CONVR(CF8)
CG1	76	81	PILLAR, NARROW BODY, LOCK	W NARROW BODY LK PLR(CG1)
CH1	76	83	COMPRESSOR, AXIAL 6-CYL	W AXIAL COMPR 6-CYL(CH1)
CH2	76	83	COMPRESSOR, RADIAL 4-CYL	W RADIAL COMPR 4-CYL(CH2)
CO1	76	84	ORNAMENT, BODY, EMBLEM EXTR	W EXTR ORNA(CO1)
CO4	75	84	ROOF, VINYL PADDED, RR HALF(LANDAU)	W RR VNL(CO4)
CO5	75	81	TOP, CONVERTIBLE FOLDING	W FLDG TOP(CO5)
CO5	82	84	TOP, CONVERTIBLE	W CONVR(CO5)
CO6	76	81	ROOF, ASTRO VIEW & SIMULATED ROLL BAR MLDG	W ASTRO RF(CO6)
CO9	76	84	ROOF, VINYL PADDED, FULL TOP	W FULL VNL(CO9)
C10	76	81	BIARRITZ	W BIARRITZ(C10)

GM PRODUCTION OPTIONS

RPO	FY	LY	DIVISIONAL RPO DESCRIPTION	WDDGM RPO DESCRIPTION
C10	84	84	ROOF VINYL PADDED SPECIAL LANDAU	W/SPL VNL(C10)
C18	76	84	WIPER & BLADE W/S(BLACK)	W/C18
C21	82	83	WIPER & BLADE W/S(PAINTED)	W/C21
C25	76	84	WASHER & WIPER RR WDO	W/RR WDO WPR(C25)
C36	76	84	HEATER AUX	W/AUX HTR(C36)
C40	84	84	HEATER STANDARD(ELECTRONIC)	W/ELEK CONT HTR(C40)
C41	76	84	HEATER W/DEFR O/S AIR	(EXC A C)
C42	76	83	HEATER W/DEFR H D	W/HTR(C42)
C43	76	83	TAILGATE STL	W/STL T/GATE(C43)
C44	76	84	TAILGATE PLSTC	W/PLSTC T/GATE(C44)
C46	82	84	HEATER HIGH CAPACITY	W/HTR(C46)
C49	76	84	DEFROGGER RR WDO ELEC	W/ELEC DEFG(C49)
C50	76	81	DEFROGGER RR WDO	W/BLO DEFG(C50)
C51	76	84	DEFLECTOR AIR	W/AIR DEFL(C51)
C55	76	84	VENTILATOR RF	W/RF VENT(C55)
C56	84	84	VENTILATOR FORCED AIR RIGHT SIDE	W/RR AIR VENT(C56)
C60	76	84	AIR CONDITIONER MAN CONT	W/A C(C60)
C61	76	83	AIR CONDITIONER AUTO CONT	W/A C(C61)
C62	76	81	AIR CONDITIONER FRT INSTAL FLR M/D	W/A C(C62)
C65	76	84	AIR CONDITIONER TEM MATIC CONT	W/A C(C65)
C67	84	84	AIR CONDITIONING ALL WEATHER(ELECTRONIC)	W/A C(C67)
C68	82	84	AIR CONDITIONER ELEK CLIMATE CONT	W/A C(C68)
C69	76	84	AIR CONDITIONER OVERHEAD SYSTEM	W/A C(C69)
C71	82	84	LAMP FRT DR CTSY	W/FRT DR CTSY LP(C71)
C72	82	84	LAMP RR DR CTSY	W/RR DR CTSY LP(C72)
C73	84	84	LAMP MAN OPERATED INT(UTILITY BODY)	W/MAN LP(C73)
C80	76	84	SWITCH FRT DOOR JAMB	W/FRT DR JAMB SW(C80)
C81	76	84	SWITCH RR DR JAMB	W/RR DR JAMB SW(C81)
C87	82	84	LAMP RR QTR CTSY	W/RR CTSY LP(C87)
C88	76	84	LAMP RR COMPT CTSY	W/RR COMPT CTSY LP(C88)
C89	76	84	LAMP RDG	W/RDG LP(C89)
C90	76	84	LAMP CTSY & WRNG DR	W/CTSY & WRNG LP(C90)
C91	82	84	LAMP DOME	W/DOME LP(C91)
C92	76	83	LAMP DOME & CARGO	W/DOME & CARGO LP(C92)
C93	76	84	LAMP OPERA-EXTR	W/OPERA LP(C93)
C94	76	83	LAMP DELAYED DOME	W/DELAYED DOME LP(C94)
C95	76	84	LAMP ASM DOME & RDG	W/DOME & RDG LP(C95)
C96	76	84	LAMP QTR CTSY & RDG	W/QTR RDG LP(C96)
C97	76	84	LAMP DR CTSY LGT	W/DR LP LGT(C97)
DB3	84	84	SUNSHADE W/S W/EXTENSION	W/SUNSHADE(DB3)
DB4	84	84	SUNSHADE W/S W/POCKETS	W/SUNSHADE(DB4)
DD3	76	81	MIRROR O/S RR VIEW CUST CHR	W/CHR CUST MIR(DD3)
DD4	76	83	MIRROR O/S RR VIEW ELEC REM PASS SI	W/ELEC CHR MIR(DD4)
DD5	76	83	MIRROR O/S RR VIEW ELEC REM DRIVER SI	W/ELEC CHR MIR(DD5)
DD7	76	83	MIRROR W/THERM O/S RR VIEW ELEC REM	W/THERM ILLUM MIR(DD7)
DD8	84	84	MIRROR INSIDE RR VIEW DAY/NIGHT AUTO	W/AUTO DAY/NIGHT MIR(DD8)
DD9	82	84	MIRROR O/S RR VIEW ELEC REM(EXPORT)	W/DD9(EXPORT)
DE1	82	84	LOUVER SUNSHIELD	W/DE1
DE6	84	84	SUNSHADE W/S WITHOUT EXTENSION	W/SUNSHADE(DE6)
DE7	82	84	MIRROR O/S RR VIEW REM BREAKAWAY(EXPORT)	W/DE7(EXPORT)
DE9	76	84	CONSOLE FRT COMPT NON-SHIFTING	W/CNSL(DE9)
DF1	76	84	MIRROR CAMPER(PAINTED)	W/PA CAMPER MIR(DF1)
DF2	76	84	MIRROR CAMPER(STAINLESS)	W/CHR CAMPER MIR(DF2)
DF3	76	84	MIRROR O/S RR VIEW REM CONT PASS SI	W/CHR REM MIR(DF3)
DF4	76	81	MIRROR O/S RR VIEW REM CONT PASS SI	W/SPORT REM MIR(DF4)
DF5	76	84	MIRROR O/S RR VIEW ELEC REM THERM ILLUM	W/THERM ILLUM MIR(DF5)
DG1	76	81	MIRROR O/S RR VIEW PASS SI	W/PASS SI MIR(DG1)
DG2	76	84	MIRROR O/S RR VIEW ELEC REM	W/ELEC MIR(DG2)
DG4	76	81	MIRROR WEST COAST TYPE SMALL	W/BELOW EYELINE MIR(DG4)
DG5	76	84	MIRROR SENIOR WEST COAST	W/SR WEST COAST MIR(DG5)
DG6	76	81	MIRROR O/S RR VIEW RT & LT ELEC THERM	W/THERM MIR(DG6)
DG7	76	84	MIRROR O/S RR VIEW ELEC REM(SPORT)	W/ELEC SPORT MIR(DG7)
DG8	82	84	MIRROR BREAKAWAY(EXPORT)	W/DG8(EXPORT)
DH6	76	83	MIRROR VISOR VANITY DR & PASS	W/VISOR VAN MIR(DH6)
DJ9	76	81	MIRROR O/S RR VIEW CUSTOM PASS SI	W/SPORT MIR(DJ9)
DK2	84	84	MIRROR O/S RR VIEW ELEC REMOTE	W/ELEC MIR(DK2)
DK4	84	84	CONSOLE FRT COMPT NON-SHIFTING(MINI)	W/CNSL(DK4)
DK7	84	84	DECAL WINDOW (DELETE)	(EXC OLYMPIC DECAL)
DL1	76	83	DECALS & STRIPES	W/ACNT STRIPE(DL1)
DL2	76	81	DECAL & STRIPES	W/ACNT STRIPE(DL2)
DL4	84	84	DECAL TWO-TONE PAINT SCHEME	W/DL4
DL6	76	81	DECAL & STRIPES	W/ACNT STRIPE(DL6)

GM PRODUCTION OPTIONS

RPO	FY	LY	DIVISIONAL RPO DESCRIPTION	WDDGM RPO DESCRIPTION
DL8	82	84	MIRROR,O/S RR VIEW ELEC CONT(MTD ELEM)	W/ELEC MTD MIR(DL8)
DL9	84	84	DECAL,FRT FDR & RR QTR-BLACKOUT	W/DL9
DT4	84	84	ASH RECEPTACLE & CIGARETTE LIGHTER	W/DT4
DX1	82	84	DECAL,HOOD APPLIQUE	W/DX1
DX4	76	81	FREE SPIRIT	W/FREE SPIRIT(DX4)
DX4	82	84	STRIPE,BODY SI	W/ACNT STRIPE(DX4)
DX5	76	81	STRIPE,BODY SI (BUICK)	W/NIGHT HAWK(DX5)
DX5	76	81	STRIPE,BODY SI (CHEVROLET)	W/ACNT STRIPE(DX5)
DX5	82	84	STRIPE,BODY SI(MULTI-TONE)	W/ACNT STRIPE(DX5)
DX6	76	81	STRIPE,BODY SI (3 MULTI-TONE)	W/ACNT STRIPE(DX6)
DX9	76	81	TAPE,ACCENT STRIPE	W/ACNT STRIPE(DX9)
DY1	76	83	DECALS & STRIPES	W/ACNT STRIPE(DY1)
DY2	83	83	STRIPE,ACCENT(MULTICOLOR)	W/ACNT STRIPE(DY2)
DY5	76	84	DECALS & STRIPES,DECK LID	W/DY5
D01	82	83	PAINT,LACQUER MASTER	W/D01
D02	82	84	PAINT,ENAMEL MASTER	W/D02
D03	84	84	PAINT,WATER MASTER	W/D03
D05	82	84	HANDLE,INSIDE	W/D05(EXPORT)
D06	82	84	REST,FRT CNSL ARM	W/CNSL A/RST(D06)
D07	84	84	CONSOLE,FRT FLOOR(CUSTOM)	W/CUSTOM CNSL(D07)
D09	82	84	REST,FRT ST ARM	W/FRT ST A/RST(D09)
D12	76	84	SHELF,RR COMPT W/H TR	W/LUX TR(D12)
D20	82	84	SUNSHADE,PASS SI	W/PASS S/S(D20)
D24	76	84	CONTAINER,LITTER	W/D24
D26	76	81	TRAY,STOWAGE ON SPARE TIRE	W/SPA TIRE STOW(D26)
D27	76	84	COVER,RR COMPT STOW	W/D27
D28	84	84	MIRROR,O/S RR VIEW (DELETE)	(EXC O/S RR VIEW MIR)
D29	76	81	MIRROR,BELOW EYELINE, JUNIOR,PAINTED	W/BELOW EYELINE MIR(D29)
D31	76	84	MIRROR,I/S RR VIEW(TILT)	W/TILT MIR(D31)
D33	76	84	MIRROR,O/S RR VIEW REM CONT LH	W/REM CHR MIR(D33)
D34	76	84	MIRROR,VISOR VAN	W/VISOR VAN MIR(D34)
D35	76	84	MIRROR,O/S RR VIEW(CUST)	W/SPORT MIR(D35)
D36	76	81	MIRROR,I/S RR VIEW,10 IN TILT(EXPORT)	W/D36(EXPORT)
D41	76	84	TRAY,RR QTR ASH	W/D41
D42	82	84	COVER,RR COMPT SECURITY	W/RR COMPT SECURITY CVR(D42)
D43	76	81	MIRROR,I/S RR VIEW,12 IN TILT(EXPORT)	W/D43(EXPORT)
D44	76	84	MIRROR,O/S BELOW EYELINE(PAINTED)	W/PA O/S MIR(D44)
D45	76	84	MIRROR,O/S BELOW EYELINE(STNLS STL)	W/STNLS O/S MIR(D45)
D46	82	84	MIRROR,W/CLEARANCE LGTS,WEST COAST TYPE	W/WEST COAST MIR(D46)
D47	85	85	CONSOLE,FRT COMPT FLOOR	W/CNSL(D47)
D49	76	84	MIRROR,O/S DUAL BRI	W/DUAL BRI MIR(D49)
D50	76	83	CONSOLE,FRT COMPT-DELETE	(EXC CNSL)
D53	76	81	APPLIQUE,HOOD	W/HOOD APLQ(D53)
D53	82	84	DECAL,HOOD BIRD	W/D53
D55	76	84	CONSOLE,FRT COMPT FLR(VAR 1)	W/CNSL(D55)
D57	82	84	PAINT,SPL TWO-TONE	W/TWO-TONE(D57)
D58	76	81	CONSOLE,FRT COMPT FLR,EXTRA LONG(VAR 3)	W/CONSL(D58)
D64	76	84	MIRROR,VISOR VAN ILLUM,RT SI	W/ILLUM VAN MIR(D64)
D65	76	81	MIRROR,O/S RR VIEW,LT SI,THERM	W/REM THERM MIR(D65)
D66	76	84	MIRROR,W/THERM,O/S RR VIEW,LT SI	W/REM ILLUM THERM MIR(D66)
D68	76	84	MIRROR,O/S RR VIEW REM CONT(SPORT)	W/SPORT REM MIR(D68)
D69	76	84	MIRROR,O/S RR VIEW REM,DRIVERS SI	W/SPORT REM MIR(D69)
D73	76	84	RAIL,HAND (PICK-UP BOX)	W/SI RAIL(D73)
D74	76	84	MIRROR,VISOR VAN,ILLUM LT SI	W/ILLUM VAN MIR(D74)
D75	76	81	DEFLECTOR,FRT AIR	W/FRT AIR DEFL(D75)
D75	84	84	EXTENSION,OUTSIDE DOOR HANDLE (EXPORT)	W/D75(EXPORT)
D78	82	84	MIRROR,O/S RR VIEW WIDE ANGLE(DUAL SYSTEM)	W/WIDE ANGLE MIR(D78)
D80	76	84	SPOILER,DECK LID RR	W/RR SPLR(D80)
D84	76	84	PAINT,TWO-TONE(CUST)	W/TWO-TONE(D84)
D85	76	81	STRIPE,BODY SI LWR ACCENT	W/ACNT STRIPE(D85)
D86	76	83	PAINT,TWO-TONE(DELUXE)	W/DLX TWO-TONE(D86)
D88	76	84	STRIPE,HOOD & DECK LID	W/ACNT STRIPE(D88)
D89	82	84	PAINT,TWO-TONE SPL DECOR	W/TWO-TONE(D89)
D90	76	84	STRIPE,FRT END & BODY SI	W/ACNT STRIPE(D90)
D91	76	83	PAINT,TWO-TONE SPL	W/TWO-TONE(D91)
D92	76	84	TAPE,DECOR(AT DR HANDLE)	W/D92
D93	82	84	PAINT,DR & WDO FRMS	W/D93
D98	76	84	STRIPE,ACNT	W/ACNT STRIPE(D98)
D99	76	84	PAINT,TWO-TONE(SPL ORDER)	W/TWO-TONE(D99)
E24	84	84	DOORS,HINGED CARGO SIDE	W/E24
E26	84	84	DOOR,LH SIDE ACCESS(UTILITY BODY)	W/E26
E27	84	84	DOOR,RH SIDE ACCESS(UTILITY BODY)	W/E27

GM PRODUCTION OPTIONS

RPO	FY	LY	DIVISIONAL RPO DESCRIPTION	WDDGM RPO DESCRIPTION
E28	82	84	HANDLE ASST	W/ASST HOL(E28)
E31	76	84	BODY STL(10 FT)HI-CUBE VAN	W/E31
E32	76	84	BODY STL(SQUARE)F/C PNL	W/E32
E33	76	84	BODY ALUM(SQUARE)F/C PNL	W/E33
E34	76	84	BODY STL(10 FT)HI-CUBE VAN	W/E34
E35	76	81	BODY STL(12 FT)HI-CUBE VAN	W/E35
E35	84	84	PICKUP BOX, LESS TAILGATE (FLEETSIDE)	W/E35
E36	76	84	BODY ALUM(10FT)HI-CUBE VAN	W/E36
E37	76	81	BODY ALUM(12 FT)HI-CUBE VAN	W/E37
E37	82	84	BODY COMMERCIAL UTILITY	W/E37
E38	76	84	BODY STL(12 FT)HI-CUBE VAN	W/E38
E39	76	84	BODY ALUM(12 FT)HI-CUBE VAN	W/E39
E46	82	84	DOOR W/GLS TRK BODY OVERHEAD RR(66 IN)	W/E46
E50	76	83	BAR, ROLL	W/ROLL BAR(E50)
E52	82	83	DOORS, RR WRAPAROUND(83 IN)	W/E52
E53	82	84	DOORS, RR WRAPAROUND(87 IN)	W/E53
E55	76	84	GATE, ENG(SUBURBAN)	W/E55
E56	76	83	BODY PLATFORM W/STAKE RACK	W/E56
E62	76	84	BOX STEPSIDE PICKUP	W/E62
E63	76	84	BOX, FLEETSIDE PICKUP	W/E63
E65	84	84	BODY HEIGHT, INCREASED INT (80 IN)	W/E65
E67	84	84	BODY LENGTH, 12 IN INCREASE	W/E67
E70	82	84	HOUSING WHL(FOR DUAL RR WHLS)	W/E70
E71	82	84	FLOOR, CARGO(SMOOTH STL)	W/E71
E72	84	84	BODY LENGTH, 13 IN INCREASE	W/E72
E73	76	81	BODY WIDTH, ADDITION (9 IN)	W/E73
E73	84	84	BODY WIDTH, INCREASED INT (86 4 IN)	W/E73
E74	76	81	BODY WIDTH, ADDITION (13 IN)	W/E74
E74	84	84	BODY WIDTH, INCREASED INT (90 5 IN)	W/E74
E76	82	84	DOORS, RR(60 IN)	W/E76
E79	82	84	DOORS, RR(STRAP HINGES)(74 IN)	W/E79
E81	76	81	FLOOR BOARD EQUIPMENT, WOOD	W/WD FLR BD(E81)
E82	76	83	LID, DECK(STL)	W/STL DECK LID(E82)
E83	76	84	LID, DECK(ALUM)	W/ALUM DECK LID(E83)
E86	76	83	COVER, TONNEAU CARGO BOX(SNAP-ON)	W/TONNEAU(E86)
E89	82	84	PANEL, CAB, DRIVER DR OPS	W/E89
E94	76	84	BEAUVILLE EQUIPMENT(CHEVROLET)	W/E94
E94	76	84	RALLY STX EQUIPMENT(GMC)	W/E94
FE1	76	81	RALLY SUSPENSION PACKAGE	W/RALLY SUSP(FE1)
FE2	76	81	RALLY SUSPENSION PACKAGE	W/RALLY SUSP(FE2)
FE2	82	84	SUSPENSION SYSTEM, TOURING RIDE & HANDLING	W/TOURING SUSP(FE2)
FE3	76	81	SUSPENSION SYSTEM, SPECIAL LESS STAB SHF	W/SPL SUSP(FE3)
FE3	84	84	SUSPENSION SPORT	W/SPORT SUSP(FE3)
FE5	84	84	SUSPENSION SPL PERF FRT & RR (DELETE)	(EXC PERF SUSP)(EXPORT)
FE7	76	84	SUSPENSION FRT AND RR H D	W/H D SUSP(FE7)
FG2	76	84	ABSORBER, FRT & RR SHOCK, FIRM RIDE	W/FIRM RIDE(FG2)
FK2	82	84	ANCHOR, TORSION BAR RR(57 DEGREE)	W/FK2
FK3	82	84	ANCHOR, TORSION BAR RR(63 DEGREE)	W/FK3
FS3	85	85	AXLE, FRONT I-BEAM CONSTRUCTION (5000 LBS)	W/FS3
FW2	82	84	AXLE, FRT 3 06 RATIO	W/3 06R(FW2)
FW3	82	84	AXLE, FRT 2 33 RATIO	W/2 33R(FW3)
FW4	82	84	AXLE, FRT 3 36 RATIO	W/3 36R(FW4)
FW5	82	84	AXLE, FRT 4 10 RATIO	W/4 10R(FW5)
FW6	82	84	AXLE, FRT 2 14 RATIO	W/2 14R(FW6)
FW7	82	84	AXLE, FRT 3 83 RATIO	W/3 83R(FW7)
FW8	84	84	AXLE, FRT 1 99 RATIO	W/1 99R(FW8)
FW9	82	84	AXLE, FRT 3 43 RATIO	W/3 43R(FW9)
FX2	84	84	AXLE, FRT 2 66 RATIO	W/2 66R(FX2)
FO1	82	84	FRAME, H D	W/H D FRM(FO1)
F16	76	84	AXLE, FRT 2 53 RATIO	W/2 53R(F16)
F17	76	84	AXLE, FRT 2 84 RATIO	W/2 84R(F17)
F25	76	84	AXLE, FRT 3 32 RATIO	W/3 32R(F25)
F29	76	81	AXLE, FRT 2 41 RATIO	W/2 41R(F29)
F36	76	81	AXLE, FRT 2 19 RATIO	W/2 19R(F36)
F40	76	84	SUSPENSION, H D FRT & RR	W/H D SUSP(F40)
F41	76	84	SUSPENSION, SPL H D FRT & RR	W/H D SUSP(F41)
F42	76	84	SUSPENSION, H D FRT	W/H D SUSP(F42)
F44	76	81	CHASSIS EQUIPMENT, HEAVY DUTY	W/F44
F45	76	84	AXLE, FRT 2 93 RATIO	W/2 93R(F45)
F47	82	84	AXLE, FRT 2 73 RATIO	W/2 73R(F47)
F51	76	84	ABSORBER, H D SHOCK	W/H D SHK(F51)
F57	82	84	AXLE, FRT 3 15 RATIO	W/3 15R(F57)

GM PRODUCTION OPTIONS

RPO	FY	LY	DIVISIONAL RPO DESCRIPTION	WDDGM RPO DESCRIPTION
F58	76	84	SHAFT, H D FRT STAB	W/H D STAB(F58)
F59	76	84	STABILIZER, FRT	W/F59
F60	76	84	SPRING, H D FRT	W/H D FRT SPR(F60)
F61	82	84	SHAFT, STAB RR	W/F61
F62	76	84	AXLE FRT 2 39 RATIO	W/2 39R(F62)
F65	76	83	SUSPENSION, FRONT AIR	W/AIR SUSP(F65)
F66	76	84	SUSPENSION, H D FRONT AIR	W/H D AIR SUSP(F66)
F67	82	84	AXLE FRT 3 19 RATIO	W/3 19R(F67)
F68	82	83	AXLE, FRT 3 45 RATIO	W/3 45R(F68)
F71	82	84	SPRING, W/SHK, ABS, H D (VAR 1)	W/H D SUSP(F71)
F72	82	84	SPRING, W/SHK, ABS, H D (VAR 2)	W/H D SUSP(F72)
F75	76	84	AXLE FRT 3 18 RATIO	W/3 18R(F75)
F77	82	84	AXLE, FRT 3 73 RATIO	W/3 73R(F77)
F79	92	84	AXLE, FRT 2 97 RATIO	W/2 97R(F79)
F85	76	81	SHAFT, H D FRT STABILIZER	W/H D STAB(F85)
F90	76	81	AXLE, FRT 2 73 RATIO	W/2 73R(F90)
GM2	76	84	AXLE, RR 2 29 RATIO	W/2 29R(GM2)
GM4	76	81	AXLE, RR 2 28 RATIO	W/2 28R(GM4)
GL1	76	81	DIFFERENTIAL CARRIER, RR AXLE ALUM	W/GL1
GM7	82	83	AXLE, RR 2 39 RATIO	W/2 39R(GM7)
GM8	76	84	AXLE, RR 2 56 RATIO	W/2 56R(GM8)
GM3	76	81	DRIVER CONTROL LEVELING	W/LVL CONT(GM3)
GT4	76	84	AXLE, RR 3 73 RATIO	W/3 73R(GT4)
GT5	76	84	AXLE, RR 4 10 RATIO	W/4 10R(GT5)
GT8	76	84	AXLE, H D RR 4 10 RATIO	W/H D 4 10R(GT8)
GU1	76	84	AXLE, RR 2 41 RATIO	W/2 41R(GU1)
GU2	76	84	AXLE, RR 2 73 RATIO	W/2 73R(GU2)
GU3	82	84	AXLE, RR 2 93 RATIO	W/2 93R(GU3)
GU4	76	84	AXLE, RR 3 08 RATIO	W/3 08R(GU4)
GU5	76	84	AXLE, RR 3 23 RATIO	W/3 23R(GU5)
GU6	76	84	AXLE, RR 3 42 RATIO	W/3 42R(GU6)
GV4	82	84	AXLE, RR 3 36 RATIO	W/3 36R(GV4)
GV8	82	83	AXLE, RR 2 72 RATIO	W/2 72R(GV8)
GW4	84	84	AXLE, RR 3 31 RATIO	W/3 31R(GW4)
GW9	76	84	AXLE, RR 2 93 RATIO	W/2 93R(GW9)
GX3	82	84	AXLE, FRT 3 33 RATIO	W/3 33R(GX3)
GX4	76	83	AXLE, RR 3 75 RATIO	W/3 75R(GX4)
GX5	76	83	AXLE, RR 4 09 RATIO	W/4 09R(GX5)
GY5	76	84	AXLE, FRT 3 65 RATIO	W/3 65R(GY5)
G50	76	84	SPRING, H D RR(VAR 1)	W/H D RR SPR(G50)
G51	76	84	SPRING, SPL H D RR(VAR 2)	W/H D RR SPR(G51)
G52	82	84	SPRING, EXTRA CAPACITY RR	W/H D RR SPR(G52)
G60	76	84	SPRING, AUX	W/AUX SPR(G60)
G66	76	84	ABSORBER, AIR BOOSTER RR SHK	W/MAN LVL CONT(G66)
G67	76	77	ABSORBER, AUTO LVL CONT SHK SYS	W/A L C (G67)
G67	78	84	ABSORBER, ELEC LVL CONT SHK SYS	W/ELEC LVL CONT(G67)
G72	80	80	AXLE, RR 2 14 RATIO	W/2 14R(G72)
G72	81	81	AXLE, RR 2 14 RATIO (EXPORT)	W/2 14R(G72) (EXPORT)
G72	82	84	AXLE, RR 2 14 RATIO	W/2 14R(G72)
G75	82	84	AXLE, RR 3 62 RATIO	W/3 62R(G75)
G80	76	84	AXLE, RR LOCKING TYPE	W/G80
G83	82	93	GEAR, RING 8 75 IN	W/8 75 DIA RNGR(G83)
G87	76	84	GEAR, RING 8 50 IN	W/8 50 DIA RNGR(G87)
G88	76	83	GEAR, RING 8 875 IN	W/8 875 DIA RNGR(G88)
G89	76	84	GEAR, RING 7 50 IN	W/7 50 DIA RNGR(G89)
G92	76	84	AXLE, PERFORMANCE RATIO	W/G92
HA3	82	84	AXLE, RR 5 29 RATIO	W/5 29R(HA3)
HC2	76	81	AXLE, RR 2 76 RATIO	W/2 76R(HC2)
HC4	76	84	AXLE, RR 4 56 RATIO	W/4 56R(HC4)
HC7	76	84	AXLE, RR 5 13 RATIO	W/5 13R(HC7)
HC8	76	84	AXLE, RR 3 21 RATIO	W/3 21R(HC8)
HD1	82	84	AXLE, RR 5 83 RATIO	W/5 83R(HD1)
HE3	76	84	AXLE, RR 3 07 RATIO	W/3 07R(HE3)
HE4	76	81	AXLE, RR 3 40 RATIO	W/3 40R(HE4)
HF7	76	84	AXLE, H D, RR 4 56 RATIO	W/H D 4 56R(HF7)
HF8	76	84	AXLE, RR 4 88 RATIO	W/4 88R(HF8)
HK1	82	83	AXLE, RR 2 87 RATIO	W/2 87R(HK1)
HK9	82	84	AXLE, RR 5 86 RATIO	W/5 86R(HK9)
H40	85	85	HEAVY DUTY EMISSIONS CONTROL (VAR 4)	W/H D EMIS CONT(H40)
H04	76	84	AXLE, RR 4 11 RATIO	W/4 11R(H04)
H22	76	81	AXLE, RR 6 17 RATIO	W/6 17R(H22)

GM PRODUCTION OPTIONS

RPO	FY	LY	DIVISIONAL RPO DESCRIPTION	WDDGM RPO DESCRIPTION
H23	76	81	AXLE RR 5 4:1 RATIO	W/5 43R(H23)
JA1	76	84	BRAKE SYSTEM, PWR LT DUTY	W/JA1
JA2	76	84	BRAKE SYSTEM, PWR HVY DUTY	W/JA2
JA3	76	84	BRAKE SYSTEM, PWR (WAGONS)	W/JA3
JA4	76	81	BRAKE SYSTEM, DISC/DRUM	W/JA4
JA5	76	84	BRAKE SYSTEM, PWR HVY DUTY	W/JA5
JA6	76	84	BRAKE SYSTEM, MAN EXTRA LT WT	W/JA6
JAB	82	84	BRAKE SYSTEM, PWR MED DUTY	W/JAB
JB1	76	84	BRAKE SYSTEM, MAN DISC/DRUM	W/JB1
JB2	76	81	BRAKE SYSTEM, DISC/DRUM	W/JB2
JB3	76	84	BRAKE SYSTEM, VAC PWR DISC/DRUM	W/JB3
JB5	76	84	BRAKE SYSTEM, VAC PWR DISC/DRUM	W/JB5
JB6	76	84	BRAKE SYSTEM, VAC PWR DISC/DRUM	W/JB6
JB7	76	84	BRAKE SYSTEM, VAC PWR DISC/DRUM	W/JB7
JB8	76	84	BRAKE SYSTEM, HYD PWR DISC/DRUM	W/JB8
JC4	82	83	BRAKE, FRT VENTED ROTOR	W/JC4
JD3	76	84	BRAKE SYSTEM, VAC PWR DISC/DRUM	W/JD3
JD5	76	84	BRAKE SYSTEM, PWR DISC	W/JD5
JD6	76	84	BRAKE SYSTEM, HYD PWR DISC/DRUM	W/JD6
JD7	76	84	BRAKE SYSTEM, HYD PWR DISC/DRUM	W/JD7
JE1	76	84	BRAKE SYSTEM, EUROPE(EXPORT)	W/JE1 (EXPORT)
JF9	76	84	BRAKE SYSTEM, HYD PWR 4-WHL DISC	W/JF9
JL1	76	83	PADS, CUST PED TR	W/CUST PADS(JL1)
JL2	76	83	BRAKE SYSTEM, FRT PWR DISC	W/JL2
JL5	82	83	BRAKE FRT SOLID DISC	W/JL5
JL6	76	84	BRAKE SYSTEM, MAN DISC	W/JL6
JM5	82	84	HEAD, PWR BRK BOOSTER(TANDEM)	W/P 8 BOOS(JM5)
JM7	76	84	HEAD, PWR BRK BOOSTER(SINGLE)	W/P 8 BOOS(JM7)
JM8	76	84	BRAKE SYSTEM, RR DISC	W/JM8
J41	82	84	DRUMS, BRAKE(CAST IRON)	W/J41
J42	82	84	DRUMS, BRAKE(ALUM)	W/J42
J50	76	84	BRAKE SYSTEM, VAC PWR	W/J50
J55	76	84	BRAKE SYSTEM, H D PWR(VAR 1)	W/J55
J65	76	84	BRAKE SYSTEM, PWR DISC FRT & RR	W/J65
J90	76	81	BRAKE SYSTEM, RR DRUM H D	W/J90
KA5	82	84	VACUUM SYSTEM, CAM DRIVEN	W/KA5
KA6	82	84	VACUUM SYSTEM, BELT DRIVEN	W/KA6
KB1	82	84	EXHAUST MANIFOLD, SHEET METAL	W/KB1
KB3	82	84	WATER PUMP, ALUMINUM	W/KB3
KB7	82	83	HEAD, CAST IRON	W/KB7
KB8	82	84	HEAD, ALUM	W/KB8
KC4	76	84	COOLER, ENG OIL ***PASS CAR EXC CORVETTE***	W/KC4(EXPORT)
KD2	82	84	COOLER, ENG OIL ***TRUCK & CORVETTE***	W/KC4
KD3	82	84	PUMP, FUEL INJECTION (STANADYNE)	W/KD2(STANADYNE)
KE1	76	81	PUMP, FUEL INJECTION (C A V.)	W/KD3(C A V.)
KF3	76	81	ELECTRONIC SPARK SELECTION	W/E S S (KE1)
KJ5	76	81	ELECTRONIC FUEL INJECTION	W/E F I (KF3)
KJ5	76	81	MOTOR, STARTING(JAPANESE EXPORT)	W/KJ5(EXPORT)
KJ5	82	84	MOTOR, STARTING(MITSUBISHI)	W/KJ5
KL7	82	84	LP GAS PREPARATION	W/KL7(CANADIAN)
KM5	76	81	GLOW SYSTEM, SLOW START	W/SLOW GLOW(KM5)
KM6	76	81	GLOW SYSTEM, FAST START	W/FAST GLOW(KM6)
KM7	76	83	MANIFOLD, INT(CAST IRON)	W/KM7
KM9	76	84	MANIFOLD, INT(ALUM)	W/KM9
K05	76	84	HEATER, ENG BLOCK	W/K05
K07	76	84	HEATER, DIESEL FUEL	W/K07
K15	76	84	LINE, FUEL VAPOR RTN	W/K15
K19	76	84	AIR INJECTION SYSTEM	W/A I R (K19)
K22	82	84	DELCOTRON, 94 AMP	W/94 AMP(K22)
K30	76	84	CONTROL, SPEED & CRUISE(AUTO)	W/CRUISE CONT(K30)
K34	76	84	CONTROL, SPEED & CRUISE(INTEGRATED COMPUTER)	W/CRUISE CONT(K24)
K35	76	83	CONTROL, W/RESUME, SPEED & CRUISE	W/CRUISE CONT(K35)
K46	82	84	CLEANER, AIR PRECHAMBER	W/K46
K61	84	84	DELCOTRON, 97 AMP	W/97 AMP(K61)
K64	82	84	DELCOTRON, 78 AMP	W/78 AMP(K64)
K70	82	84	PULSAIR, AIR INJ. ENG.	W/PULSAIR(K70)
K71	82	84	EMISSION CONTROL, NOT CERTIFIED(EXPORT)	W/K71(EXPORT)
K73	76	84	DELCOTRON, 70 AMP	W/70 AMP(K73)
K74	76	81	EARLY FUEL EVAPORATION (DELETE)	(EXC EARLY FUEL EVAP)
K76	76	81	DELCOTRON, 61 AMP	W/61 AMP(K76)
K77	76	82	DELCOTRON, 55 AMP	W/55 AMP(K77)

GM PRODUCTION OPTIONS

RPO	FY	LY	DIVISIONAL RPO DESCRIPTION	WDDGM RPO DESCRIPTION
K77	83	84	DELCOTRON, 56 AMP	W/56 AMP(K77)
K79	76	84	DELCOTRON, 42 AMP	W/42 AMP(K79)
K80	84	84	DELCOTRON, 92 AMP	W/92 AMP(K80)
K81	76	82	DELCOTRON, 63 AMP	W/63 AMP(K81)
K81	83	84	DELCOTRON, 66 AMP	W/66 AMP(K81)
K85	82	84	DELCOTRON, 37 AMP	W/37 AMP(K85)
K90	84	84	DELCOTRON, 108 AMP	W/108 AMP(K90)
K92	76	81	DELCOTRON, 105 AMP	W/105 AMP(K92)
K94	76	81	ENGINE DISPLACEMENT, MODULATED	W/K94
K95	76	81	ENGINE DISPLACEMENT, NONMODULATED	W/K95
K97	76	84	DELCOTRON, 80 AMP	W/80 AMP(K97)
K99	76	84	DELCOTRON, 85 AMP	W/85 AMP(K99)
LA5	84	84	ENGINE ASM, 1 8L L4	(1 8J)
LC1	82	84	ENGINE ASM, 2 8L V6	(2 8-1)
LC3	82	82	ENGINE ASM, 229 C I D, V6	(229K)
LC3	83	84	ENGINE ASM, 229 C I D, V6	(229-9)
LC4	80	84	ENGINE ASM, 4 1L V6	(4 1-4)
LC5	78	78	ENGINE ASM, 231 C I D, V6	(231G)
LC6	78	79	ENGINE ASM, 231 C I D, V6	(231-2)
LC8	78	82	ENGINE ASM, 231 C I D, V6	(231-3)
LC8	83	83	ENGINE ASM, 231 C I D, V6	(231-8)
LC9	78	79	ENGINE ASM, 196 C I D, V6	(196)
LD4	78	78	ENGINE ASM, 250 C I D, STAN 6CYL	(250)
LD5	76	84	ENGINE ASM, 231 C I D, V6	(231A)
LD7	77	77	ENGINE ASM, 231 C I D, V6	(231C)
LE2	80	84	ENGINE ASM, 2 8L V6	(2 8X)
LE3	79	84	ENGINE ASM, 250 C I D, L6	(250D)
LE4	80	80	ENGINE ASM, 400 C I D, V8	(400X)
LE8	80	84	ENGINE ASM, 454 C I D, V8	(454W)
LE9	82	84	ENGINE ASM, 305 C I D, V8	(305H)
LF3	82	84	ENGINE ASM, 305 C I D, V8	(305F)
LF4	77	80	ENGINE ASM, 400 C I D, V8	(400R)
LF5	79	82	ENGINE ASM, 350 C I D, V8	(350P)
LF5	83	83	ENGINE ASM, 350 C I D, V8	W/SEO(LF5)
LF7	79	79	ENGINE ASM, 260 C I D, DIESEL V8	(260P)
LF8	77	79	ENGINE ASM, 454 C I D, V8	(454S)
LF9	78	84	ENGINE ASM, 350 C I D, V8 DIESEL	(350N)
LG3	77	78	ENGINE ASM, 305 C I D, V8	(305U)
LG3	79	79	ENGINE ASM, 305 C I D, V8	(305G)
LG4	80	84	ENGINE ASM, 305 C I D, V8	(305H)
LG9	77	81	ENGINE ASM, 305 C I D, V8	(305G)
LH6	82	84	ENGINE ASM, 6 2L V8 DIESEL	(6 2C)
LH7	82	84	ENGINE ASM, 2 8L V6	(2 8Z)
LH8	82	84	ENGINE ASM, 1 8L L4	(1 8-0)
LJ5	81	84	ENGINE ASM, 1 8L L4 DIESEL	(1 8D)
LK9	82	84	ENGINE ASM, 3 0L V6	(3 0E)
LL1	83	84	ENGINE ASM, 2 8L V6	(2 8L)
LL4	82	84	ENGINE ASM, 6 2L V8 DIESEL	(6 2J)
LM1	77	82	ENGINE ASM, 350 C I D, V8	(350L)
LM1	83	84	ENGINE ASM, 350 C I D, V8 (CHEVROLET)	W/SEO(LM1)
LM1	84	84	ENGINE ASM, 350 C I D, V8 (PONTIAC)	(350-6) (EXPORT)
LM9	84	84	ENGINE ASM, 3 8L V6	(231-9)
LN3	84	84	ENGINE ASM, 3 8L V6	(231-3)
LP9	84	84	ENGINE ASM, 5 7L V8	W/SEO(LP9)
LQ2	83	84	ENGINE ASM, 2 0L L4	(2 0Y)
LQ5	83	84	ENGINE ASM, 2 0L L4	(2 0P)
LQ7	83	84	ENGINE ASM, 2 2L L4 DIESEL	(2 2S)
LQ8	82	83	ENGINE ASM, 2 5L L4	(2 5F)
LQ9	82	84	ENGINE ASM, 2 5L L4	(2 5-2)
LR1	82	84	ENGINE ASM, 1 9L L4	(1 9A)
LR2	82	84	ENGINE ASM, 2 8L V6	(2 8B)
LR8	82	84	ENGINE ASM, 2 5L L4	(2 5R)
LR9	82	84	ENGINE ASM, 2 0L L4	(2 0B)
LS6	78	79	ENGINE ASM, 151 C I D, L4	(151-1)
LS8	79	79	ENGINE ASM, 151 C I D, L4	(151-9)
LS9	77	84	ENGINE ASM, 350 C I D, V8	(350L)
LT5	76	81	ENGINE PERFORMANCE PKG, HIGH ALT	W/ALT(LT5)
LT6	82	84	ENGINE ASM, 4 3L V6 DIESEL	(4 3V)
LT7	82	84	ENGINE ASM, 4 3L V6 DIESEL	(4 3T)
LT8	82	84	ENGINE ASM, 4 1L V8	(4 1-8)
LT9	80	84	ENGINE ASM, 350 C I D, V8 (GASOLINE)	(350M)
LT9	83	84	ENGINE ASM, 350 C I D, V8 (PROPANE)	(350K)

GM PRODUCTION OPTIONS

RPO	FY	LY	DIVISIONAL RPO DESCRIPTION	WDDGM RPO DESCRIPTION
LU5	82	82	ENGINE ASM 5 OL V8	(5 0-7)
LU5	83	83	ENGINE ASM 5 OL V8	(5 05)
LV2	80	84	ENGINE ASM 307 C I D V8	(307Y)
LV2	83	84	ENGINE ASM 307 C I D V8(WITH HURST/OLDS)	(307-9)
LV8	77	78	ENGINE ASM 260 C I D V8	(260)
LV8	79	81	ENGINE ASM 260 C I D V8	(260F)
LV8	82	82	ENGINE ASM 260 C I D V8	(260-B)
LW5	78	79	ENGINE ASM 1 6L L4	(1 6J)
LW9	80	83	ENGINE ASM 2 5L L4	(2 5-5)
LX3	77	77	ENGINE ASM 1 4L L4	(1 4)
LX6	77	78	ENGINE ASM 151 C I D L4	(151V)
LX8	79	80	ENGINE ASM 151 C I D L4	(151V)
LY5	77	78	ENGINE ASM 1 6L L4	(1 6E)
LO2	76	84	DELCO TRON 100 AMP	W/100 AMP(L02)
LO3	76	81	DELCO TRON 110 AMP	W/110 AMP(L03)
LO4	76	81	DELCO TRON 145 AMP	W/145 AMP(L04)
LO5	76	81	DELCO TRON 130 AMP	W/130 AMP(L05)
LO7	76	81	DELCO TRON 145 AMP DYNAMOTE PWR INVERTED	W/145 AMP(L07)
L11	77	77	ENGINE ASM 140 C I D OHC L4	(140)
L13	76	76	ENGINE ASM 140 C I D L4	(140)
L17	82	84	ENGINE ASM 1 6L L4	(1 6C)
L22	77	79	ENGINE ASM 250 C I D L6	(250)
L25	77	84	ENGINE ASM 292 C I D L6	(292T)
L26	78	79	ENGINE ASM 200 C I D V6	(200)
L27	77	79	ENGINE ASM 301 C I D V8	(301Y)
L32	77	77	ENGINE ASM 350 C I D V8	(350H)
L33	78	79	ENGINE ASM 425 C I D V8	(425)
L34	77	80	ENGINE ASM 350 C I D V8	(350R)
L35	78	79	ENGINE ASM 425 C I D V8 E F I	(425)
L37	78	81	ENGINE ASM 301 C I D V8	(301W)
L39	79	82	ENGINE ASM 267 C I D V8	(267J)
L46	82	82	ENGINE ASM 1 8L L4	(1 8G)
L48	77	80	ENGINE ASM 350 C I D V8	(350)
L49	78	80	ENGINE ASM 350 C I D V8	(350B)
L61	80	84	ENGINE ASM 368 C I D V8	(368-6)
L62	80	84	ENGINE ASM 368 C I D V8	(368-9)
L65	77	77	ENGINE ASM 350 C I D V8	(350G)
L69	83	83	ENGINE ASM 5 OL V8	(305-7)
L69	84	84	ENGINE ASM 5 OL V8	(305G)
L75	77	77	ENGINE ASM 350 C I D V8	(350P)
L77	77	77	ENGINE ASM 350 C I D V8	(350J)
L77	78	80	ENGINE ASM 350 C I D V8	(350X)
L77	81	81	ENGINE ASM 350 C I D V8	(350B)
L78	77	79	ENGINE ASM 400 C I D V8	(400)
L80	77	79	ENGINE ASM 403 C I D V8	(403)
L82	77	80	ENGINE ASM 350 C I D V8 SPL HI PERF	(350)
L83	82	84	ENGINE ASM 5 7L V8	(5 7-8)
L91	76	81	EXPORT ENGINE	W/L91(EXPORT)
L92	76	81	EXPORT ENGINE	W/L92(EXPORT)
L93	76	81	EXPORT ENGINE VENEZUELA	W/L93(EXPORT)
MB1	84	84	TRANSMISSION 5-SPD MAN	W/M T (MB1)
MB4	82	84	TRANSMISSION 5-SPD MAN	W/M T (MB4)
MB6	82	84	TRANSMISSION 5-SPD MAN	W/M T (MB6)
MC1	76	83	TRANSMISSION H D 3-SPD MAN	W/M T (MC1)
MC4	76	81	TRANSMISSION SPORT SHIFT	W/SPORT SHIFT(MC4)
MC5	85	85	TRANSMISSION 5-SPD MAN	W/M T (MC5)
MD2	76	84	TRANSMISSION 3-SPD AUTO	W/A T (MD2)
MD3	76	81	TRANSMISSION AUTO STRASBURG	W/A T (MD3)
MD8	76	84	TRANSMISSION 4-SPD AUTO	W/A T (MD8)
MD9	76	84	TRANSMISSION 3-SPD AUTO	W/A T (MD9)
ME9	82	84	TRANSMISSION 4-SPD AUTO	W/A T (ME9)
MF4	84	84	TRANSFER CASE NP-205(1 96 LOW RANGE)	W/MF4
MK2	82	84	TRANSMISSION 4-SPD MAN	W/M T (MK2)
MK4	82	84	TRANSMISSION 5-SPD MAN	W/M T (MK4)
MK5	82	84	TRANSMISSION 5-SPD MAN	W/M T (MK5)
MK6	82	84	TRANSMISSION 5-SPD MAN	W/M T (MK6)
MK7	82	84	TRANSMISSION 5-SPD MAN	W/M T (MK7)
ML3	84	84	TRANSMISSION 5-SPD MAN	W/M T (ML3)
ML8	84	84	TRANSMISSION 5 SPD MAN	W/M T (ML8)
MM3	82	84	MERCHANDISING OPTION ONLY-DO NOT CATALOG	SEE VDS FOR AVAIL TRANS OPTION
MM4	82	84	MERCHANDISING OPTION ONLY-DO NOT CATALOG	SEE VDS FOR AVAIL TRANS OPTION
MM5	82	84	MERCHANDISING OPTION ONLY-DO NOT CATALOG	SEE VDS FOR AVAIL TRANS OPTION

GM PRODUCTION OPTIONS

RPO	FY	LY	DIVISIONAL RPO DESCRIPTION	WDDGM RPO DESCRIPTION
WV7	82	84	MERCHANDISING OPTION ONLY-DO NOT CATALOG	SEE VDS FOR AVAIL TRANS OPTION
WV4	76	84	TRANSMISSION 3-SPD AUTO	W/A T (WV4)
WV9	76	84	TRANSMISSION 3-SPD AUTO	W/A T (WV9)
WV9	76	84	TRANSMISSION 4-SPD AUTO	W/A T (WV9)
WX0	82	84	MERCHANDISING OPTION ONLY-DO NOT CATALOG	SEE VDS FOR AVAIL TRANS OPTION
WX1	82	84	MERCHANDISING OPTION ONLY-DO NOT CATALOG	SEE VDS FOR AVAIL TRANS OPTION
WX2	76	84	TRANSMISSION AUTO	W/A T (WX2)
WX3	76	81	TRANSMISSION 3-SPD AUTO W/LK UP CONV	W/A T (WX3)
WX5	82	83	TRANSMISSION AUTO	W/A T (WX5)
MY1	76	84	TRANSMISSION 4-SPD MAN	W/M T (MY1)
MY6	76	84	TRANSMISSION 4-SPD MAN	W/M T (MY6)
MY7	76	84	TRANSMISSION 5-SPD MAN	W/M T (MY7)
MY8	76	84	TRANSMISSION 4-SPD MAN	W/M T (MY8)
VO8	82	84	TRANSMISSION 4-SPD MAN	W/M T (VO8)
M11	76	81	SHIFT FLOOR	W/FLR SHIFT (M11)
M15	76	81	TRANSMISSION 3-SPD MAN	W/M T (M15)
M16	76	81	TRANSMISSION 3-SPD MAN	W/M T (M16)
M17	76	84	TRANSMISSION 4-SPD MAN	W/M T (M17)
M18	76	83	TRANSMISSION 4-SPD MAN	W/M T (M18)
M19	76	84	TRANSMISSION 4-SPD MAN	W/M T (M19)
M20	76	84	TRANSMISSION 4-SPD MAN	W/M T (M20)
M21	76	81	TRANSMISSION 4-SPD MAN	W/M T (M21)
M24	76	83	TRANSMISSION 4-SPD MAN	W/M T (M24)
M26	76	84	TRANSMISSION 4-SPD MAN	W/M T (M26)
M27	76	81	TRANSMISSION 4-SPD MAN	W/M T (M27)
M29	76	81	TRANSMISSION 3-SPD AUTO	W/A T (M29)
M31	76	84	TRANSMISSION 3-SPD AUTO	W/A T (M31)
M32	76	81	TRANSMISSION 3-SPD AUTO	W/A T (M32)
M33	76	81	TRANSMISSION 3-SPD AUTO	W/A T (M33)
M34	76	83	TRANSMISSION 3-SPD AUTO	W/A T (M34)
M38	76	81	TRANSMISSION 3-SPD AUTO	W/A T (M38)
M40	76	84	TRANSMISSION 3-SPD AUTO	W/A T (M40)
M51	76	81	STEERING SYSTEM MAN	(EXC P 5)
M57	76	84	TRANSMISSION 4-SPD AUTO	W/A T (M57)
M62	76	84	TRANSMISSION 3-SPD MAN	W/M T (M62)
M63	76	81	TRANSMISSION 3-SPD MAN	W/M T (M63)
M64	76	84	TRANSMISSION 3-SPD MAN	W/M T (M64)
M67	76	81	TRANSMISSION 4-SPD MAN	W/M T (M67)
M73	76	84	TRANSMISSION 4-SPD MAN	W/M T (M73)
M75	76	84	TRANSMISSION 5-SPD MAN	W/M T (M75)
M77	76	84	TRANSMISSION 4-SPD MAN	W/M T (M77)
NA2	76	81	EMISSION SYSSTEM STANDARD	W/FED (NA2)
NA5	76	84	EMISSION SYSTEM FED	W/FED (NA5)
NA6	76	84	EMISSION SYSTEM ALT	W/ALT (NA6)
NA9	76	84	EMISSION CONTROL EVAPORATIVE	W/E E S (NA9)
NB1	76	84	EMISSION CONTROL CLOSED LOOP	W/CLSD LOOP (NB1)
NB2	76	84	EMISSION SYSTEM CALIF	W/CALIF (NB2)
NB5	76	83	EXHAUST SYSTEM SINGLE	W/SINGLE EXH (NB5)
NB9	84	84	FILTER SYSTEM FUEL	W/NB9
NC3	84	84	TAILPIPE MODIFICATIONS (EXPORT)	W/NC3 (EXPORT)
NC6	76	81	EXHAUST SYSTEM SPORTY	W/SPORT EXH (NC6)
NC8	76	84	EMISSION SYSTEM INTERNAL EGR (DIESEL)	W/INTERNAL EGR (NC8)
ND1	76	84	TANK FUEL 86 LITER	W/86 LITER TK (ND1)
NE2	76	84	TANK FUEL 40 GAL	W/40 GAL TK (NE2)
NF1	76	83	TANK FUEL 69 LITER	W/69 LITER TK (NF1)
NF2	76	84	TANK FUEL 75 LITER	W/75 LITER TK (NF2)
NF9	84	84	HAT SHIELD, EXHAUST SYSTEM TO GROUND	W/EXH HT SHLD (NF9)
NG1	76	84	TANK FUEL 76 LITER	W/76 LITER TK (NG1)
NH1	76	84	TANK FUEL 83 LITER	W/83 LITER TK (NH1)
NH7	76	84	TANK FUEL 103 LITER	W/103 LITER TK (NH7)
NH8	76	83	TANK FUEL 69 LITER	W/69 LITER TK (NH8)
NK1	76	84	TANK FUEL 69 LITER	W/69 LITER TK (NK1)
NK2	76	81	TANK FUEL 79 LITER	W/79 LITER TK (NK2)
NK2	82	84	TANK FUEL 76 LITER	W/76 LITER TK (NK2)
NK3	76	84	WHEEL STRG (FORMULA)	W/FORMULA WHL (NK3)
NK4	76	83	WHEEL STRG (SPORT LEATHER)	W/NK4
NK5	76	84	WHEEL STRG (STD)	W/NK5
NK6	76	84	TANK FUEL 83 LITER	W/83 LITER TK (NK6)
NK7	76	84	TANK FUEL 31 GAL	W/31 GAL TK (NK7)
NK8	76	84	TANK FUEL 96 LITER	W/96 LITER TK (NK8)
NL2	76	84	TANK AUX FUEL (VAR 2)	W/AUX TK (NL2)
NL7	76	84	TANK FUEL 33 GAL	W/33 GAL TK (NL7)

GM PRODUCTION OPTIONS

RPO	FY	LY	DIVISIONAL RPO DESCRIPTION	WDDGM RPO DESCRIPTION
NL3	76	81	TANK, FUEL 2K GALLON RR MOUNTED	W/RR MT TK (NL3)
NM1	83	84	SWITZERLAND/SWEDEN EMISSION PROVISION	W/NM1 (EXPORT)
NM4	76	84	EMISSION CONTROL, NON-CLOSED LOOP	W/NM4 (EXPORT CANADA)
NM5	76	84	EMISSION SYSTEM, NO.1-CLOSED LOOP (CANADA)	W/NM5 (EXPORT CANADA)
NM6	76	84	EMISSION CONTROL CANADA RECALIBRATION	W/NM6 (EXPORT CANADA)
NM8	76	84	EMISSION MODIFICATION UNLEADED GAS CONV	W/NM8 (EXPORT)
NM9	76	81	DIESEL EMISSION SYSTEM EXTERNAL EGR	W/EXTERNAL EGR (NM9)
NN1	76	84	EMISSION SYSTEM, DUAL BED MONALITHE CONV	W/NN1
NN2	76	81	EMISSION SYSTEM, SINGLE BED MONALITHE CONV	W/NN2
NN3	76	84	EMISSION SYSTEM, SINGLE BED BEAD CONV	W/NN3
NN4	82	83	TANK, FUEL 60 GAL	W/60 GAL TK (NN4)
NN6	82	84	EGR REVERSE FLOW	W/NN6
NN7	82	84	FUEL FILLER COOR-DELETE LOCK	(EXC FIL DR LK)
NN9	82	84	EMISSION SYSTEM, LEADED FUEL (EXPORT)	W/NN9 (EXPORT)
NP1	76	81	V6 ECONOMY EQUIPMENT	W/FUEL ECON EQUIP (NP1)
NP5	76	84	WHEEL, STRG (LEATHER WRAPPED)	W/NP5
NP7	82	84	STEERING COLUMN	W/NP7 (EXPORT)
NP5	84	85	CAP STEERING WHEEL HORN DELUXE	W/DLX HORN CAP (NP5)
NV5	84	84	SHIELD, DIFFERENTIAL CARRIER	W/NV5
NX1	82	84	WHEEL, 13X5 PAHSLA STL	W/PA WHL (NX1)
NY1	76	84	PLATE, FUEL TK SHIELD & SKID	W/NY1
NY2	84	84	STEERING, SLOW RATIO	W/NY2
NY6	76	84	GEAR, P S TYPE 605	W/P S (NY6)
NY7	76	84	SHIELD, TRFR CASE	W/NY7
NY8	76	84	GEAR, P S TYPE 800	W/P S (NY8)
N04	76	84	LOCK, GAS CAP REM CONT	W/N04
N05	76	84	CAP, LK GAS (EXPORT)	W/LK CAP (N05) (EXPORT)
N08	76	84	FILLER, FUEL TK DR REM CONT LK	W/LK DR FIL (N08)
N09	82	84	LOCK, FUEL FIL DR	W/FIL DR LK (N09)
N10	76	84	EXHAUST SYSTEM, DUAL	W/DUAL EXH (N10)
N16	76	83	EMISSION SYSTEM, INTERNAL EGR W/E P R	W/N16
N18	82	84	LOCKING KIT, SIMULATED WIRE WHL CVR	W/LK WHL CVR (N18)
N20	76	81	TANK, FUEL 50 GAL	W/50 GAL TK (N20)
N23	82	84	TANK, FUEL 83 LITER (22 GAL)	W/83 LITER TK (N23)
N24	82	84	WHEEL, CAST ALUM	W/ALUM WHL (N24)
N30	76	84	WHEEL, STRG (DLX)	W/DLX STRG WHL (N30)
N31	76	84	WHEEL, STRG (CUST)	W/CUST STRG WHL (N31)
N32	76	84	WHEEL, STRG (CUST)	W/CUST STRG WHL (N32)
N33	76	84	COLUMN, STRG (TILT TYPE)	W/TILT WHL (N33)
N34	76	84	WHEEL, STRG (CUST SPORT)	W/SPORT STRG WHL (N34)
N36	82	84	WHEEL, STRG (SPORT)	W/SPORT STRG WHL (N36)
N37	76	84	COLUMN, STRG (TILT & TELESCOPIC)	W/T&T WHL (N37)
N40	76	84	STEERING, HYD (NON-VARIABLE)	W/P S (N40)
N41	76	84	STEERING, HYD (VARIABLE RATIO)	W/P S (N41)
N46	84	84	WHEEL, STRG (4 SPOKE) VINYL	W/VNL STRG WHL (N46)
N49	76	81	WHEEL, STRG, CAP ONLY, SPORTY	W/SPORT STRG WHL (N49)
N51	76	81	STEERING MAN	W/MAN STRG (N51)
N51	82	84	STEERING MAN	(EXC P S)
N60	76	84	WHEEL, ALUM	W/ALUM WHL (N60)
N65	76	84	WHEEL & TIRE STOWAWAY SPA	W/STOWAWAY SPA (N65)
N66	84	84	WHEEL, RALLY TYPE	W/RALLY WHL (N66)
N66	76	83	WHEEL, RALLY TYPE (VAR 1)	W/STYLED SPORT WHL (N66)
N67	76	84	WHEEL, RALLY TYPE (VAR 2)	W/RALLY WHL (N67)
N68	76	81	SPARE TIRE & WHL CONVENTIONAL	W/SPA TIRE (N68)
N69	76	81	WHEEL, GOLD STYLED 13 X 6 00	W/GOLD STYLED WHL (N69)
N70	82	84	WHEEL, PAINTED (13X5 5)	W/PA WHL (N70)
N71	82	83	WHEEL, CUST SPORT	W/CUST WHL (N71)
N72	76	83	WHEEL, CUST SPORT (15 IN)	W/CUST WHL (N72)
N73	76	81	WHEEL EQUIPMENT, CUSTOM SPORT	W/CUST SPORT (N73)
N77	76	81	WHEELS, 13 X 6 ALUM HUB CAPS & WHL NUTS	W/ALUM WHL (N77)
N78	76	84	WHEEL, ALUM CAST (14X6)	W/ALUM WHL (N78)
N81	76	84	TIRE, SPA (FULL SIZE RADIAL)	W/RADIAL SPA (N81)
NR2	76	81	WHEEL EQUIPMENT, CUST SPORT, 15 X 6 0	W/CUST SPORT (NR2)
N83	76	84	WHEEL, CUST SPORT (15X7) (CHR STYLED)	W/CUST SPORT WHL (N83)
N84	84	84	SPARE TIRE (DELETE)	(EXC SPA TIRE)
N85	82	84	WHEEL, H D (14X6)	W/H D WHL (N85)
N86	82	84	WHEEL, POLYCAST (13X5 5)	W/POLYCAST WHL (N86)
N89	76	84	WHEEL, TURBO ALUM	W/TURBO ALUM WHL (N89)
N90	76	84	WHEEL, ALUM	W/ALUM WHL (N90)
N91	76	84	COVER, W/LK, SIMULATED WIRE WHL	W/SIM WIRE WHL LK CVR (N91)
N92	76	81	COVER, SIM WIRE WHL, COLOR CODED	W/SIM WIRE WHL (N92)
N94	76	81	SIMULATED WIRE WHL DISC, 14 IN	W/SIM WIRE WHL (N94)
N95	76	84	COVER, SIMULATED WIRE WHL	W/SIM WIRE WHL (N95)

GM PRODUCTION OPTIONS

RPO	FY	LY	DIVISIONAL RPO DESCRIPTION	WDOGM RPO DESCRIPTION
N96	76	81	COVER, SIM CHROME WHEEL 15 IN	W/SIM CHR WHL(N96)
N96	84	84	WHEEL, ALUMINUM CAST 16 X 8	W/CAST WHL(N96)
N97	76	84	WHEELS, H. D. (15X7)	W/N97
N98	76	84	WHEEL, RALLY II ROAD(CHR)	W/RALLY II WHL(N98)
N99	76	84	WHEEL, H. D. (15X6)	W/N99
PA1	76	81	COVER, WHEEL TR, WIRE 15 IN. (BUICK)	W/SIM WIRE(PA1)
PA1	76	81	COVER, WHEEL TR, DELUXE 15 IN. (OLDS)	W/DLX CVR(PA1)
PA1	82	84	COVER, DLX WHL TR(15 IN)	W/DLX CVR(PA1)
PA3	76	91	COVER, DELUXE WHEEL TR, 13, 14 OR 15 IN.	W/DLX CVR(PA3)
PA4	76	84	CAP, HUB WHL CVR (PAINTED)	W/PA CAP(PA4)
PA5	88	4	CAP, HUB (SPORT)	W/SPORT CAP(PA5)
PA6	76	84	WHEEL, STYLED (PAINTED)	W/STYLED WHL(PA6)
PB1	76	84	DISC, WHL (15 IN)	W/DLX DISC(PB1)
PB2	76	84	COVER, WHL TR (ABS PLSTC) (15 IN)	W/DLX CVR(PB2)
PB4	82	84	LOCK KIT, ALUM WHL	W/PB4
PB5	82	84	WHEEL, 13X5 5 MILD STL	W/PB5
PB6	82	94	WHEEL, INCREASED SIZE (14")	W/PB6
PB7	82	84	WHEEL, 14 X 6 PAINTED STYLE	W/STYLED WHL(PB7)
PC1	76	84	WHEEL, 14X6 (COLOR CODED)	W/PC1
PC3	76	81	WHEEL, 14 X 6 POLYCAST	W/POLYCAST WHL(PC3)
PC6	82	84	WHEEL, 14X5 5	W/PC6
PD7	84	84	WHEEL, 14 X 6 5 CAST ALUMINUM	W/CAST ALUM(PD7)
PD8	85	85	WHEEL, 14 X 6 STYLED ALUM	W/STYLED ALUM WHL(PD8)
PD9	84	84	WHEEL, 13 X 5 0 MILD STEEL	W/PD9
PE1	76	84	WHEEL, 14 X 7 POLYCAST	W/POLYCAST WHL(PE1)
PE2	76	81	WHEEL, 15 X 7 POLYCAST, COLOR CODED	W/POLYCAST WHL(PE2)
PE3	76	81	WHEEL, 14 X 7 POLYCAST, COLOR	W/POLYCAST WHL(PE3)
PE4	76	83	WHEEL, 14X7 POLYCAST (TURBINE DES)	W/POLYCAST WHL(PE4)
PE5	82	83	WHEEL, RALLY V	W/RALLY WHL(PE5)
PG3	82	84	WHEEL, 14 X 6 5 FORGED ALUM	W/FORGED ALUM(PG3)
PG4	82	84	WHEEL, 14 X 5 5 ALUMINUM	W/ALUM WHL(PG4)
PG5	82	84	WHEEL, 15X6 CAST ALUM	W/CAST WHL(PG5)
PG9	82	84	WHEEL, LIGHT METAL ALLOY	W/PG9
PH1	82	84	WHEEL, 15X7JJ	W/PH1
PH2	76	84	WHEEL, 15X6JJ	W/PH2
PH4	76	81	WHEEL, 15 X 7, STL STYLED	W/STYLED WHL(PH4)
PH5	84	84	WHEEL, 14 X 6 FORGED ALUMINUM	W/ALUM WHL(PH5)
PH6	82	84	WHEEL, 15X6	W/PH6
PH7	82	83	WHEEL, 15X7 FORGED ALUM	W/ALUM WHL(PH7)
PH8	75	84	WHEEL, WIRE	W/WIRE WHL(PH8)
PX1	84	84	WHEEL, 13 X 5 5 CAST ALUMINUM	W/CAST ALUM(PX1)
PX2	82	84	WHEEL, RR (ALUM)	W/ALUM WHL(PX2)
PX3	83	83	WHEEL, 13 X 5 HSLA	W/PX3
PY4	84	84	WHEEL, 14 X 5 5 LIGHT METAL ALLOY	W/PY4
PO1	76	84	COVER, DLX WHL TR	W/DLX CVR(PO1)
PO2	76	84	COVER, CUST WHL TR	W/CUST CVR(PO2)
PO3	76	84	CAP, BRI METAL HUB	W/BRI CAP(PO3)
PO5	76	81	WHEEL, CHROME (BUICK)	W/CHR WHL(PO5)
PO5	76	81	WHEEL, HONEYCOMB (PONTIAC)	W/HONEYCOMB WHL(PO5)
PO5	82	84	WHEEL, CHR	W/CHR WHL(PO5)
PO6	76	84	RING, WHL TR	W/TR RG(PO6)
PO8	76	84	COVER, WHL (SUPER DLX)	W/SUPER DLX CVR(PO8)
P10	76	84	CARRIER, SPA TIRE	W/FRM MT WHL CARR(P10)
P11	76	84	CARRIER, GLIDE OUT SPA TIRE	W/GLIDE OUT WHL CARR(P11)
P12	76	84	WHEEL, 14X6 CHR	W/CHR WHL(P12)
P13	76	84	CARRIER, SPA TIRE SI MT.	W/SI MT WHL CARR(P13)
P14	76	84	CARRIER, I/S MT SPA TIRE, LH	W/I/S MT LH WHL CARR(P14)
P15	82	84	CARRIER, I/S MT SPA TIRE, RR	W/I/S MT RR WHL CARR(P15)
P17	76	84	COVER, SPA WHL & TIRE	W/P17
P20	82	83	CAP, BRI ALUM HUB	W/BRI CAP(P20)
P41	82	84	TIRE (EXPORT)	W/P41 (EXPORT)
P42	82	84	TIRE, SELF SEALING	W/P42
QE6	84	84	WHEEL, 16.5 X 6	W/QE6
Q34	76	84	WHEEL, 19.5 X 6	W/Q34
R04	76	84	WHEELS, SINGLE RR	W/SINGLE RR WHLS(R04)
R05	82	84	WHEELS, DUAL RR CONVERSION	W/DUAL RR WHLS(R05)
TL1	76	84	GRILLE, SPL	W/SPL GRL(TL1)
TL4	76	81	GRILLE, PAINTED	W/PA GRL(TL4)
TL4	82	82	GRILLE, CUSTOM	W/CUST GRL(TL4)

MICROFICHE INDEX
GROUPS 4.000 THRU 5.000
FICHE 3 OF 6

GROUP DESCRIPTION	STARTING GRID LOCATION	
	PARTS	ILLUSTRATIONS
- INTRODUCTION	A-6	I-2
- GENERAL INFORMATION	A-2	I-2
- ALPHABETICAL INDEX	C-11	N.A.
- INDEX FOR ADDITIONAL INFORMATION	A-5	N.A.
4.000 TRANSMISSION - BRAKES	E-2	I-6
5.000 BRAKES - REAR AXLE - PROPELLER SHAFT - WHEELS .	H-7	L-19
- OUT OF FICHE CALLS	N.A.	N-16

C-1

GM PRODUCTION OPTIONS

RPO	FY	LY	DIVISIONAL RPO DESCRIPTION	WDDGM RPO DESCRIPTION
TL4	83	84	GRILLE PAINTED	W/PA GRL(TL4)
TL6	76	84	GRILLE BLACK	W/BLK GRL(TL6)
TN4	82	83	ROD HOOD OPEN ASSIST	W/HOOD ASST ROD(TN4)
TP1	76	81	BATTERY HIGH CAPACITY	W/BAT(TP1)
TP2	76	84	BATTERY AUX CAMPER	W/AUX BAT(TP2)
TR9	76	84	LAMP GROUP	W/TR9
TT4	82	84	HEADLAMPS TUNGSTEN QUARTZ HALOGEN	W/QUARTZ HDLP(TT4)
TT5	76	84	HEADLAMPS TUNGSTEN QUARTZ HALOGEN	W/QUARTZ HDLP(TT5)
TU2	76	84	LAMP RR MFR	W/RR MFR LP(TU2)
T38	76	84	LAMPS PK & TURN SIG(AMBER LENS)	W/T38
T41	82	84	SHEET METAL FRT END SPECIAL	W/T41
T43	84	84	SPDILER REAR	W/PR SPLR(T43)
T44	76	83	LOCK INTR OPER HOOD	W/T44
T45	76	84	HOOD ALUM	W/ALUM HOOD(T45)
T46	76	83	HOOD STL	W/STL HOOD(T46)
T47	76	84	HOOD TURBO ALUM	W/TURBO HOOD(T47)
T48	76	81	HOOD RAM AIR SHAKER	W/T48
T48	82	83	HOOD SPORT STEEL	W/SPORT STL HOOD(T48)
T52	76	84	ORNAMENT FRT FDR	W/T52
T63	76	84	BUZZER HDLP ON WRNG	W/HDLP WRNG(T63)
T70	76	81	HEADLAMPS LHR ROUND(EXPORT)	W/T70(EXPORT)
T72	76	84	HEADLAMPS LH/2 RECTANGULAR(EXPORT)	W/T72(EXPORT)
T79	82	84	LAMPS RR FOG(EXPORT)	W/T79(EXPORT)
T80	76	84	HEADLAMPS AUTO BEAM CONT	W/GUIDEMATIC(T80)
T81	82	84	LAMP DLX TAIL & STOP	W/DLX LP(T81)
T82	76	84	SENTINEL TWILIGHT	W/TWILIGHT SENT(T82)
T83	76	84	HEADLAMP OR(SPL)	W/T83
T84	76	84	HEADLAMP RH RULE OF ROAD(EXPORT)	W/T84(EXPORT)
T85	76	84	HEADLAMP LH RULE OF ROAD(EXPORT)	W/T85(EXPORT)
T86	84	84	LAMPS BACKUP	W/T86
T87	76	84	LAMP COR	W/COR LP(T87)
T89	82	84	LAMP SIG & MKG(EXPORT)	W/T89(EXPORT)
T90	76	84	LAMP SIG & MKG(EXPORT)	W/T90(EXPORT)
T93	76	84	LAMP TAIL & STOP(SPECIAL)	W/SPL TAIL & STOP LP(T93)
T96	82	84	LAMPS FRT FOG	W/T96
UA1	76	84	BATTERY H D	W/H D BAT(UA1)
UA2	76	84	SENTINEL MILES PER GAL DIGITAL READOUT	W/UA2
UA6	76	84	DETERRENT SYSTEM THEFT	W/ANTI-THEFT(UA6)
UA8	82	84	BATTERY SYSTEM RESV PWR	W/RESV PWR BAT(UA8)
UB7	76	81	CLUSTER ASM TRIP ODOMETER	W/TRIP ODOM(UB7)
UB8	82	84	HORN PACKAGE	W/HORN(UB8)
UD1	82	84	CLUSTER I/P(OIL & WAT)	W/GA(UD1)
UD2	84	84	ALARM VEHICLE SPEED(105 KPH)(EXPORT)	W/105 ALARM(UD2)(EXPORT)
UD4	84	84	ALARM VEHICLE SPEED(120 KPH)(EXPORT)	W/120 ALARM(UD4)(EXPORT)
UD6	84	84	OVERTEMP EXHAUST	W/UD6(EXPORT)
UD8	76	84	CLOCK VAC FLORESCENT DIGITAL	W/DIGIT CLK(UD8)
UE8	76	84	CLOCK ELEC DIGITAL	W/DIGIT CLK(UE8)
UF2	76	84	LAMP CARGO	W/CARGO LP(UF2)
UF3	76	81	LAMP SUN VISOR SUPPORT MAP	W/MAP LP(UF3)
UF7	76	84	GAGE I/P(EXC TACH)	W/GA(UF7)
UH1	76	81	ELECTRONIC LAMP MONITORING SYSTEM	W/LP MONITOR(UH1)
UH9	84	84	CLUSTER I/P(WAT TEMP TRIP ODO TURBO BOOS)	W/GA(UH9)
UJ1	82	84	INDICATOR BRAKE WARNING SYSTEM	W/IND(UJ1)
UJ3	82	84	INDICATOR WATER IN FUEL	W/IND(UJ3)
UJ5	82	84	CLUSTER I/P(WAT TEMP TRIP ODO & VOLTMETER	W/GA(UJ5)
UJ9	84	84	CLUSTER I/P(COO) TEMP VOLT TACH	W/GA(UJ9)
UK1	82	84	RADIO FREQUENCY(JAPANESE)	W/UK1(EXPORT)
UK2	82	84	LEVER DIR SIG(EXPORT)	W/UK2(EXPORT)
UK3	84	84	ELECTRONIC SYSTEM ACCESSORY CONTROL	W/ELEK ACSRY CONT(UK3)
UL1	82	84	RADIO AM/FM STEREO(W/O SEEK/SCAN)	W/STEREO(UL1)
UL2	82	84	RADIO FREQUENCY(EUROPEAN)	W/UL2(EXPORT)
UL3	82	83	RADIO W/DIGITAL CLK AM/FM STEREO	W/STEREO(UL3)
UL5	82	84	RADIO DELETE	(EXC RDO)
UL6	82	84	RADIO W/CLK AM PUSHBUTTON	W/MONO(UL6)
UL7	82	83	RADIO AM/FM PUSHBUTTON W/DIGITAL CLK	W/MONO(UL7)
UL8	82	83	RADIO W/DIGITAL CLK AM/FM STEREO TAPE	W/STEREO(UL8)
UL9	82	84	RADIO W/DIGITAL CLK AM/FM STEREO CASSETTE	W/STEREO(UL9)
UM1	76	83	RADIO AM PUSHBUTTON TAPE	W/STEREO(UM1)
UM2	76	83	RADIO AM/FM STEREO PUSHBUTTON TAPE	W/STEREO(UM2)
UM3	76	81	RADIO AM/FM STEREO CLOCK & C B	W/C B (UM3)
UM4	76	84	RADIO W/DIGITAL CLK AM/FM STEREO TAPE ETR	W/STEREO(UM4)
UM5	76	83	RADIO W/CLK AM/FM STEREO TAPE REM C B	W/C B (UM5)

GM PRODUCTION OPTIONS

RPO	FY	LY	DIVISIONAL RPO DESCRIPTION	WDDGM RPO DESCRIPTION
UM6	76	84	RADIO AM/FM STEREO CASSETTE ETR	W/STEREO(U06)
UM7	76	84	RADIO AM/FM STEREO ETR W/DIGITAL READOUT	W/STEREO(U07)
UM8	82	84	RADIO AM/FM STEREO TAPE ETR	W/STEREO(U08)
UN1	76	83	RADIO AM/FM STEREO CASSETTE C B	W/C B (UN1)
UN2	76	81	RADIO AM/FM STEREO SIGNAL SEEKING	W/STEREO(U02)
UN3	76	81	RADIO AM/FM STEREO CASSETTE	W/STEREO(U03)
UN3	82	84	RADIO AM/FM STEREO CASSETTE	W/STEREO(U03) (EXPORT)
UN4	76	84	CARTRIDGE DELETE (EXPORT)	W/UN4 (EXPORT)
UN5	76	84	RADIO AM/FM STEREO CASSETTE C B ETR	W/C B (UN5)
UN8	76	84	RADIO C B	W/C B (UN8)
UN9	76	84	RADIO SUPPRESSION EQUIP	W/UN9
UP1	76	83	RADIO AM/FM STEREO TAPE C B	W/C B (UP1)
UP2	76	81	RADIO AM/FM STEREO C B	W/C B (UP2)
UP5	76	81	RADIO AM/FM MONO C B	W/C B (UP5)
UP6	76	84	RADIO AM/FM STEREO C B	W/C B (UP6)
UP7	76	84	RADIO MONO/RAL INSTL PROVISIONS	W/UP7
UP8	76	84	RADIO STEREO INSTL PROVISIONS	W/UP8
UQ1	76	84	RADIO STEREO ETR INSTL PROVISIONS	W/UQ1
UQ2	76	81	RADIO FULL FEATURE STEREO	W/UQ2
UQ3	76	81	AUDIO PWR BOOSTER	W/AUDIO PWR BOOSTER(U03)
UQ4	82	84	SPEAKER SYSTEM BOSE 4-SPKR W/AMPS	W/UQ4 (BOSE)
UQ5	84	84	SPEAKER 4 FRT DROR COAX RR 1/4 E R	W/UQ5
UQ7	84	84	SPEAKER SYSTEM SUBWOOFER	W/UQ7
UQ9	84	84	SPEAKER SYSTEM (DELETE)	(EXC SPEAKER)
UR1	76	83	GAGE FUEL ECON	W/ECON GA(UR1)
UR3	76	84	LIGHT FUEL ECON ING	W/ECON IND(UR3)
UR4	76	81	GAGE TURBO BOOST	W/TURBO BOOST GA(UR4)
US6	82	84	ANTENNA FIXED MAST (BLACK)	W/FIXED ANT(US6) (BLACK)
US7	84	84	ANTENNA POWER (BLACK)	(EXC C B) (BLACK)
UT1	76	84	BUZZER TONE GEN WRNG	W/UT1
UT2	84	84	RADIO AM/FM STEREO ETR (REMOTE CONT)	W/STEREO(UT2)
UT3	84	84	RADIO AM/FM STEREO ETR CASS (REMOTE CONT)	W/STEREO(UT3)
UT4	84	84	RADIO AM/FM STEREO ETR CASS W/EQ (REM CONT)	W/STEREO(UT4)
UU1	76	81	RADIO AM/FM STEREO MTR (FULL FEATURE)	W/UU1
UU2	76	81	RADIO AM/FM STEREO CASSETTE MTR (FULL FEAT)	W/UU2
UU3	76	81	RADIO AM/FM STEREO 8-TRACK MTR (FULL FEAT)	W/UU3
UU4	76	83	RADIO AM/FM STEREO CASSETTE DIGITAL DISPLAY	W/STEREO(UU4)
UU5	76	83	EQUALIZER STEREO GRAPHIC	W/UU5
UU6	82	84	RADIO AM/FM STEREO CASSETTE ETR W/CLK	W/STEREO(UU6)
UU7	82	84	RADIO AM/FM STEREO CASSETTE ETR	W/STEREO(UU7)
UU8	82	84	RADIO AM/FM STEREO CASSETTE ETR (DOLBY)	W/STEREO(UU8)
UU9	82	84	RADIO-AM-FM STEREO ETR W/O SEEK/SCAN & CLK	W/STEREO(UU9)
UV1	84	84	REMINDER VOICE SYNTHESIS	W/VOICE REMINDER(UV1)
UW1	82	84	CLUSTER DIAGNOSTIC	W/DIAGNOSTIC(UW1)
UW4	84	84	SPEAKER SYSTEM SIX(6) DUAL I/P & F/O	W/UW4
UW6	84	84	SHELF DUAL EXT RANGE PKG	W/UW6
UW8	82	84	RETAINER GARAGE DOOR TRANSMITTER	W/UW8
UW9	82	84	OPENER GARAGE DR REM CONT	W/GARAGE DR OPENER(UW9)
UX6	76	84	SPEAKER DUAL FRT DASH MT	W/UX6
UX7	76	84	SPEAKER DUAL FRT DR MT EXTENDED RANGE RR	W/UX7
UX9	76	81	SPEAKER FRT	W/UX9
UY1	76	84	WIRING CAMPER	W/CAMPER WRG(UY1)
UY7	76	84	WIRING CAMPER H/D	W/CAMPER WRG(UY7)
UY8	76	81	RADIO AM/FM STEREO DIGITAL CLK	W/STEREO(UY8)
UY9	76	84	SPEEDO KILO/MILES MECH DISPLAY	W/SPEEDO(UY9)
UO1	76	84	LAMP RR MKR	W/RR MKR LP(UO1)
UO2	76	84	SPEEDO KILO/MILES (DIGITAL)	W/SPEEDO(UO2)
UO3	82	84	HORN NOISE REG (EXPORT)	W/UO3 (EXPORT)
UO5	76	84	HORN DUAL	W/DUAL HORNS(UO5)
UO9	82	84	HORN FOURNOTE	W/FOURNOTE HORN(UO9)
U14	76	84	GAGE I/P	W/RALLY GA(U14)
U16	76	84	TACHOMETER	W/TACH(U16)
U17	76	84	CLUSTER INST (OIL COOLANT AMM CLK GAS TACH)	W/GA(U17)
U18	76	84	SPEEDO I/P (EXPORT)	W/U18 (EXPORT)
U19	76	84	SPEEDO I/P (CANADIAN)	W/SPEEDO(U19) (CANADIAN)
U21	76	84	CLUSTER W/TACH I/P	W/GA(U21)
U22	76	84	CLUSTER I/P (EXC TACH)	W/GA(U22)
U23	76	84	SPEEDO W/TRIP ODOM	W/TRIP ODOM(U23)
U25	76	84	LAMP LUG COMPT	W/LUG COMPT LP(U25)
U26	76	84	LAMP ENG COMPT	W/ENG COMPT LP(U26)
U27	76	84	LAMP I/P COMPT	W/I/P COMPT LP(U27)
U28	76	84	LAMP ASH TRAY	W/ASH TRAY LP(U28)
U29	76	84	LAMP I/P CTSY	W/CTSY LP(U29)

GM PRODUCTION OPTIONS

RPO	FY	LY	DIVISIONAL RPO DESCRIPTION	WDDGM RPO DESCRIPTION
U30	76	83	GAGE AUX INST	W/GA(U30)
U35	76	84	CLOCK ELEC (NON-DIGITAL)	W/STD CLK(U35)
U37	76	84	LIGHTER,CIGARETTE	W/U37
U38	76	83	WARNING,LOW COOLANT	W/CLNT WRNG(U38)
U40	76	84	TRIP MONITOR,DIGITAL READ OUT	W/DIGITAL ODOM(U40)
U41	76	84	INDICATOR,LOW FUEL	W/LOW FUEL INDI(U41)
U46	76	84	MONITOR,EXTERNAL LAMP	W/LP MONITOR(U46)
U52	82	84	CLUSTER,I/PIELECTRONIC	W/DIGITAL(U52)
U57	76	81	PLAYER,TAPE	W/TAPE PLAYER(U57)
U58	76	84	RADIO,AM/FM STEREO PUSHBUTTON	W/STEREO(U58)
U63	76	84	RADIO,AM PUSHBUTTON	W/MONO(U63)
U64	76	84	SPEAKER DUAL FRT DASH DUAL STD RANGE RR	W/U64
U65	76	84	SPEAKER 4-DUAL FRT DR MT DUAL STD RANGE RR	W/U65
U66	76	84	SPEAKER DUAL FRT DASH MT DUAL EXTD RANGE RR	W/U66
U67	76	81	RADIO RR CONT	W/STEREO(U67)
U69	76	84	RADIO,AM/FM MONO PUSHBUTTON	W/MONO(U69)
U72	76	81	ANTENNA AUTO PWR	W/PWR ANT(U72)
U73	76	84	ANTENNA,STD(FIXED MAST)	W/FIXED ANT(U73)
U74	76	81	ANTENNA PWR RDO & C B	W/PWR ANT(U74)
U75	76	84	ANTENNA PWR FDR	(EXC C B)
U76	76	84	ANTENNA W/S EMBEDDED	W/W/S ANT(U76)
U79	84	84	SPEAKER 4 DUAL FRT COAX DUAL ETR RR	W/U79
U80	76	84	SPEAKER RR AUX	W/RR AUX SPKR(U80)
U81	76	84	SPEAKER DUAL RR	W/DUAL RR SPKR(U81)
U83	76	84	ANTENNA,ELEC,RDO & 40 CHAN C B	W/C B
U89	76	84	HARNES 5-WIRE CAR TRLR WRG	W/5-WIRE TRLR CBL(U89)
U90	76	81	HARNES RF FLASHER W/RF PNL REINF	W/RF FLSHR(U90)
U92	76	81	SPEAKERS FRT DUAL & RR DUAL	W/U92
U93	82	83	AN LNA MAN AM/FM C B TRIBAND	W/MAN ANT(U93)
U94	76	83	CABLE,7-WIRE LIGHT TRLR(VAR,3)	W/7-WIRE TRLR CBL(U94)
U95	76	81	SPEAKERS DOOR	W/U95
U96	76	84	SPEAKER CONCERT SOUND(6 TOTAL)	W/U96
VA2	76	84	SUPPORT,RAD(STL)	W/STL RAD SUPT(VA2)
VA3	76	83	SUPPORT,RAD(ALUM)	W/ALUM RAD SUPT(VA3)
VB2	76	84	BUMPER,W/IMPACT STRIP RR STEP(PAINTED)	W/PA STEP BPR(VB2)
VB3	76	84	BUMPER,W/IMPACT STRIP RR STEP(CHR)	W/CHR STEP BPR(VB3)
VB4	76	84	SAUDI ARABIA PKG(EXPORT)	W/VB4(EXPORT)
VD1	76	84	EUROPEAN MODIFICATIONS(EXPORT)	W/VD1(EXPORT)
VD2	76	81	MOULDING,BPR	W/MLDG(VD2)
VD4	82	83	REINFORCEMENT,FRT BPR(STL)	W/STL FRT BPR REINF(VD4)
VD5	82	84	REINFORCEMENT,RR BPR(STL)	W/STL RR BPR REINF(VD5)
VD6	82	84	REINFORCEMENT,FRT BPR(ALUM)	W/ALUM FRT BPR REINF(VD6)
VD7	82	84	REINFORCEMENT,RR BPR(ALUM)	W/ALUM RR BPR REINF(VD7)
VE1	76	84	JAPANESE MODIFICATIONS(EXPORT)	W/VE1(EXPORT)
VE5	76	84	STRIP,FRT & RR BPR IMPACT	W/IMPACT STR(VE5)
VE6	76	84	BUMPER,FRT & RR PA(W/IMPACT STRIPS)	W/FRT & RR PA BPR(VE6)
VF1	76	84	BUMPER,RR CHR	W/CHR BPR(VF1)
VF5	76	81	BUMPER,CAR COLOR	W/RUB BPR STR(VF5)
VF6	76	84	BUMPER,RR STEP	W/STEP BPR(VF6)
VF9	76	81	BUMPER,FRT & RR RUB PROTECTED,W/GUARDS	W/VF9
VG3	76	84	STRIP,FRT BPR IMPACT	W/IMPACT STR(VG3)
VG5	76	84	STRIP,RR BPR IMPACT	W/IMPACT STR(VG5)
VG7	76	81	REINFORCEMENT,FRT BPR	W/FRT BPR REINF(VG7)
VG8	76	81	REINFORCEMENT,RR BPR(CALIF & FLORIDA)	W/RR BPR REINF(VG8)
VG9	76	81	GUARD,FRT BPR	W/GUARD(VG9)
VH6	82	84	BLACK BUMPER	W/BLK BPR(VH6)
VH7	84	84	BUMPER,CUSTOM	W/CUST BPR(VH7)
VID	76	81	RADIO,AM/FM STEREO & TAPE W/O EJECT	W/STEREO(VID)
VJ5	82	84	MOUNTING,LICENSE PLATE	W/LIC MTG(VJ5)(EXPORT)
VJ6	82	84	POCKET,LIC PLT RR	W/RR LIC PLT PKT(VJ6)
VJ7	82	84	BRACKET,W/LAMP,RR LIC PLT	W/RR LIC PLT BRKT & LP(VJ7)
VJ9	76	84	CALIFORNIA EMISSION COMPLIANCE INFORMATION	W/CALIF(VJ9)
VK1	76	83	PLATE,FRT LIC MT PKG-DELETE	(EXC FRT PLT MT PKG)
VK3	76	84	MOUNTING,FRT LIC PLT	W/FRT LIC MT(VK3)
VL4	84	84	PLATE,FRT MTG LIC	W/VL4(EXPORT)
VN1	76	81	CALIF MODIFICATIONS	W/VN1
VN2	76	81	GEORGIA MODIFICATIONS	W/VN2
VN3	76	81	FLORIDA MODIFICATIONS	W/VN3
VP1	82	83	SPOILER,LWR FRT	W/FRT SPLR(VP1)
VP6	82	83	NOISE LEVEL CONTROL	W/VP6
VR2	76	84	HITCH,TRLR(DEAD W)	W/STD HITCH(VR2)
VR4	76	84	HITCH,TRLR(WT DISTRIBUTING PLTF)	W/EQLZR HITCH(VR4)

GM PRODUCTION OPTIONS

RPO	FY	LY	DIVISIONAL RPO DESCRIPTION	WDDGM RPO DESCRIPTION
VR5	76	61	BALL TRAILER HITCH (1 7/8")	W/1 7/8" BALL(VR5)
VR6	76	81	BALL TRAILER HITCH (2")	W/2" BALL(VR6)
VT3	76	84	BUMPER W/IMPACT STR.FRT PAINTED(DLX)	W/FRT PA BPR(VT3)
VT4	76	84	BUMPER W/IMPACT STR.RR PAINTED(DLX)	W/RR PA BPR(VT4)
VT7	82	84	EXPORT UNREGULATED COUNTRIES	W/VT7(EXPORT)
VU9	84	84	FLASHLITE MTG	W/VU9(EXPORT)
V1H	76	81	PAINT TWO TONE	W/TWO TONE(V1H)
V45	76	81	DELEGANCE	W/DELEGANCE(V45)
V45	83	85	BROUGHAM DELEGANCE	W/BROUGHAM DELEGANCE(V45)
V4T	76	84	DELEGANCE	W/DELEGANCE(V4T)
V4W	76	84	DISC.WHL TURBINE	W/WHL DISC(V4W)
V01	76	84	RADIATOR.H D	W/H D C (V01)
V02	76	84	RADIATOR.H D W/H D TRANS OIL COOLER	W/H D C (V02)
V03	82	84	RADIATOR.EXTRA CAPACITY COOLING	W/H D C (V03)
V05	76	84	COOLING.H D	W/H D C (V05)
V08	76	84	RADIATOR.H D COOLING	W/H D C (V08)
V10	82	84	COLD CLIMATE PKG	W/COLD CLIMATE(V10)
V13	82	84	COLD CLIMATE PKG(DELETE)	(EXC COLD CLIMATE)
V22	76	84	GRILLE.RAD(CHR)	W/CHR GRL(V22)
V28	76	84	GUARD.FRT BPR(PAINTED)	W/FRT PA GUARDS(V28)
V30	76	84	GUARD.FRT & RR BPR	W/GUARDS(V30)
V31	76	84	GUARD.FRT BPR(CHR)	W/FRT CHR GUARDS(V31)
V32	76	84	GUARD.RR BPR	W/RR GUARDS(V32)
V35	84	P1	BUMPER.RR W/RECESSED LIGHTS	W/RECS LT BPR(V35)
V37	76	84	BUMPER.FRT & RR(CHR)	W/CHR BPR(V37)
V38	76	81	BUMPER.RR PAINTED	W/PA BPR(V38)
V39	84	84	CONTROL I.D. INTERNATIONAL SYMBOLS	W/V39(EXPORT)
V42	76	84	BUMPER.RR STEP(CHR)	W/CHR STEP BPR(V42)
V43	76	84	BUMPER.RR STEP(PAINTED)	W/PA STEP BPR(V43)
V46	76	84	BUMPER.FRT(CHR)	W/FRT CHR BPR(V46)
V50	82	84	FRAME.RR LIC PLT	W/LIC PLT FRM(V50)
V51	82	84	FRAME.FRT & RR LIC PLT	W/LIC PLT FRM(V51)
V54	76	83	CARRIER.RF PNL & LUG	W/RF & LUG CARR(V54)
V55	76	84	CARRIER.RF LUG	W/RF LUG CARR(V55)
V58	76	84	CARRIER.DECK LID LUG	W/LUG CARR(V58)
V62	76	81	JACK.AUTO	W/JACK(V62)
V65	76	83	BUMPER.LT DUTY	W/LT DTY BPR(V65)
V69	82	84	TRAILER PROVISIONS	W/TRLR(V69)
V70	82	84	HOOKS.TOWING(EXPORT)	W/V70(EXPORT)
V76	76	84	HOOK.FRT TOW	W/FRT TOW HOOK(V76)
V78	82	84	PLATE.LESS CERTIFICATE OF COMPLIANCE	W/V78(EXPORT)
V81	76	83	TRAILER PROVISIONS	W/TRLR(V81)
V82	76	83	TRAILER PROVISIONS.CLASS 2 2000-35000	W/TRLR(V82)
V83	76	81	TRAILER PROVISIONS.CLASS 3 3500-5000	W/TRLR(V83)
WA3	76	81	SEAT ADJ.6-WAY DRIVER & PASS	W/6-WAY(WA3)
WA5	76	81	SPEAKER.DUAL FRT & RR	W/DUAL SPKR(WA5)
WB2	76	91	PROMOTIONAL PACKAGE	W/MONDAY NIGHT SPL(WB2)
WB5	76	83	ELECTRA ESTATE WAGON	W/ELECTRA ESTATE WAGON(WB5)
WB7	76	81	TOP.LANDAU FORMAL WOO GROUP	W/RR VNL(WB7)
WB9	76	81	PALM BEACH OPTION	W/PALM BEACH(WB9)
WC3	76	83	MOLDING.RKR-RR QTR & WHL OPG	W/WC3
WD8	83	84	SKYHAWK T-TYPE	W/SKYHAWK T-TYPE(WD8)
WE8	83	84	CENTURY T-TYPE	W/CENTURY T-TYPE(WE8)
WF5	76	81	TRIM.CUSTOM	W/CJST TR(WF5)
WF6	76	84	MOLDING GROUP	W/WF6
WH1	84	84	REGAL DESIGNER PACKAGE	W/REGAL DESIGNER PKG(WH1)
WH2	76	81	SKYHAWK FREE SPIRIT DESIGN II	W/FREE SPIRIT(WH2)
WH6	76	91	NIGHT HAWK DECOR PKG	W/NIGHT HAWK(WH6)
WJ4	82	84	FIRENZA COUPE SPECIAL EDITION	W/FIRENZA COUPE SPL EDITION(WJ4)
WJ5	84	84	CIERRA COUPE SPECIAL EDITION	W/CIERRA SPL EDITION(WJ5)
WJ7	84	84	TRIM.INTERIOR LEATHER	W/LEA TRIM(WJ7)
WJ8	76	81	STARFIRE SX PKG	W/S X (WJ8)
WJ8	84	84	APPEARANCE PACKAGE.TORONADO SPECIALTY CAR	W/TORONADO APPEAR PKG(WJ8)
WK2	76	84	DELTA ROYALE BROUGHAM	W/DELTA ROYALE BROUGHAM(WK2)
WK3	84	84	DELTA ROYALE BROUGHAM "LS"	W/DELTA ROYALE BROUGHAM LS(WK3)
WK9	82	84	REGENCY BROUGHAM SEDAN	W/REGENCY BROUGHAM SEDAN(WK9)
WS4	76	84	TRANS AM OPTION	W/TRANS AM(WS4)
WS6	76	84	PERFORMANCE PACKAGE SPECIAL	W/SPL PERF PKG(WS6)
WS7	76	84	HANDLING PACKAGE SPECIAL	W/SPL HDL PKG(WS7)
WS9	76	81	PHOENIX APPEARANCE PKG	W/PHOENIX(WS9)
WS9	82	84	LEADER.FUEL ECON	W/WS9
WU2	76	81	GT OPTION	W/GT(WU2)

GM PRODUCTION OPTIONS

RPO	FY	LY	DIVISIONAL RPO DESCRIPTION	WDDGM RPO DESCRIPTION
WU7	76	83	SEAT THIRD CUSTOM	W/WU7
WU9	76	81	MOLDING WINDOW REVEAL	W/WOO RVL MLDG(WU9)
WV6	76	81	GRAPHICS PKG(GOLD)	W/WV6
WV7	76	81	GRAPHICS PKG(CHARCOAL)	W/WV7
WV8	76	81	GRAPHICS PKG(BLUE)	W/WV8
WV9	76	81	GRAPHICS PKG(RED)	W/WV9
WW1	76	81	LESS CONSOLE	(EXC CNSL)
WW3	76	81	CAN AM OPTION	W/CAN AM(WW3)
WW8	76	81	GAGE RALLY W/I/P TACH & CLK	W/RALLY GA(WW8)
WW9	83	84	SPORT LANDAU OPTION	W/SPORT LANDAU(WW9)
WX3	76	81	RAM AIR SHAKER HOOD	W/WX3
WY5	76	81	SUSPENSION RADIAL TUNED	W/R T.S (WY5)
WY5	82	84	SPECIAL HANDLING PACKAGE	W/SPL HDL PKG(WY5)
WY6	82	84	SPECIAL PERFORMANCE PACKAGE	W/SPL PERF PKG(WY6)
W02	76	81	APPLIQUE WOODGRAIN	W/WDGRN(W02)
W03	82	84	REGAL LIMITED SEDAN OPTION	W/REGAL LIMITED SEDAN(W03)
W04	82	84	CENTURY LIMITED COUPE OPTION	W/CENTURY LIMITED COUPE(W04)
W05	82	84	REGAL LIMITED COUPE	W/REGAL LIMITED COUPE(W05)
W06	76	81	TRIM CUSTOM	W/CUST TR(W06)
W06	84	84	CENTURY ESTATE WAGON	W/CENTURY ESTATE WAGON(W06)
W07	76	81	CENTURY SPORT COUPE	W/SPORT COUPE(W07)
W08	76	81	TRIM CUSTOM	W/CUST TR(W08)
W09	82	84	CENTURY LIMITED SEDAN OPTION	W/CENTURY LIMITED SEDAN(W09)
W10	76	84	PARK AVENUE OPTION	W/PARK AVE(W10)
W11	82	82	REGAL SPORT COUPE	W/REGAL SPORT COUPE(W11)
W11	83	84	REGAL T-TYPE	W/REGAL T-TYPE(W11)
W12	76	81	SKYHAWK PKG	W/SKYHAWK(W12)
W13	76	81	CENTURY TURBO COUPE	W/TURBO COUPE(W13)
W14	76	81	LESABRE SPORT COUPE	W/LESABRE SPORT COUPE(W14)
W15	76	81	TRIM CUSTOM	W/CUST TR(W15)
W17	76	81	TRIM INTERIOR DELUXE	W/DLX TR(W17)
W17	82	84	LIMITED PACKAGE (SKYHAWK)	W/LIMITED PKG(W17)
W18	76	82	SPORT OPTION (SKYLARK)	W/SPORT OPT(W18)
W18	83	84	SKYLARK T-TYPE	W/SKYLARK T-TYPE(W18)
W19	76	84	TRIM CUST	W/CUST TR(W19)
W21	76	81	TRIM CUSTOM	W/CUST TR(W21)
W22	76	83	TRIM CUST	W/CUST TR(W22)
W24	76	81	TRIM CUSTOM	W/CUST TR(W24)
W29	75	81	442 APPEARANCE PKG	W/442 GRP(W29)
W30	76	81	HURST/OLDS PKG	W/HURST PKG(W30)
W40	82	84	HURST/OLDS SPECIALITY CAR	W/W40
W44	76	81	CONVERTIBLE TOP SIMULATED	W/CONVR RF APPEAR(W44)
W45	82	84	EUROPEAN COUPE	W/EUROPEAN COUPE(W45)
W47	84	84	FIRENZA "ES"	W/FIRENZA ES(W47)
W48	76	84	EUROPEAN STYLING	W/W48
W49	80	81	C-4 CLOSED LOOP	W/W49
W50	76	84	APPEARANCE GROUP SPECIAL	W/APPEAR GRP(W50)
W51	84	84	APPEARANCE OPTION BLACK EXTR	W/APPEAR OPT(W51)
W52	76	81	TBI BUILT	W/W52
W53	76	81	TWO-TONE SPECIAL APPEARANCE(GRP II)	W/W53
W55	82	83	EXHAUST SYSTEM LT WT	W/LT WT EXH(W55)
W56	82	83	EXHAUST SYSTEM STD	W/STD EXH(W56)
W60	76	81	ESPIRIT SPECIAL APPEARANCE	W/ESPIRIT(W60)
W62	76	81	LUXURY APPOINTMENT GROUP	W/LUX TR(W62)
W62	82	84	AERO PACKAGE	W/W62
W63	76	81	GAGE & CLOCK RALLY	W/RALLY GA(W63)
W64	76	81	SUNBIRD WAGON SPL PARTS GRP	W/SUNBIRD GRP(W64)
W65	76	81	STEREO SPKR W/MONO RCD	W/MONO(W65)
W65	84	84	LOCK PKG SECURITY	W/LOCK PKG(W65)
W66	76	81	FORMULA OPT GRP	W/FORMULA(W66)
W67	76	81	ESPIRIT LUXURY	W/ESPIRIT(W67)
W68	76	81	ESPIRIT SPL APPEARANCE RED BIRD	W/ESPIRIT(W68)
W69	76	84	S/E OPTION (SPECIAL EDITION)	W/SPL EDITION(W69)
W70	76	81	LEMONS SPORT	W/LEMONS SPORT(W70)
W70	84	84	SPORT PACKAGE TWO-TONE	W/SPORT PKG(W70)
W71	76	81	SEAT CUSTOM	W/CUST ST(W71)
W72	76	81	PERFORMANCE PKG	W/PERF OPT(W72)
W73	76	81	ESPIRIT SPECIAL APPEARANCE	W/ESPIRIT(W73)
X26	82	83	MISC EQUIPMENT-NEW ZELAND(EXPORT)	W/X26(EXPORT)
YA1	76	81	DECOR PKG LUV TRUCK	W/DECOR PKG(YA1)
YC1	76	81	COMFORT & CONV PKG#1/MID-LEVEL	W/DECOR PKG(YC1)

GM PRODUCTION OPTIONS

RPO	FY	LY	DIVISIONAL RPO DESCRIPTION	WDDGM RPO DESCRIPTION
YC1	82	84	DURANGO EQUIPMENT	W/YC1
YC2	76	81	COMFORT & CONV PKG#2/LUXURY	W/DECOR PKG(YC2)
YC2	82	84	TAHOE EQUIPMENT	W/YC2
YC3	76	81	COMFORT & CONV PKG#3/PERSONAL LUXURY	W/DECOR PKG(YC3)
YC3	82	84	SPORT EQUIPMENT	W/YC3
YC5	85	85	DECOR PKG,COMFORT & CONV#1(MID LEVEL)	W/YC5
YC6	85	85	DECOR PKG,COMFORT & CONV#2(LUXURY)	W/YC6
YC6	76	81	WOODGRAIN,CUSTOM ESTATE	W/WOGRN(YC6)
YD1	82	84	TRAILER PKG,H D	W/H D TRLR(YD1)
YE4	76	81	INTERIOR & EXTERIOR,DELUXE	W/DLX GRP(YE4)
YE7	76	84	SPORT PKG GMC 'SP'	W/GMC SPORT(YE7)
YE9	76	84	SILVERADO/SIERRA CLASSIC	W/SILVERADO/SIERRA(YE9)
YG1	76	84	MOLDING,BODY SI UPR & LWR WHL OPG(PAINTED)	W/YG1
YG2	76	81	WOODGRAIN INSERT & NAMEPLATE	W/WOGRN(YG2)
YG3	82	84	MOLDING,BODY SI & WHL OPG(BRI)	W/YG3
YG5	82	84	'55' SPORT MODIFICATION PACKAGE	W/SS PKG(YG5)
YG6	76	81	BONANZA PKG A,ROYAL SIERRA PKG A	W/YG6
YG7	76	81	BONANZA PKG B,ROYAL SIERRA PKG B	W/YG7
YGP	76	81	BONANZA PKG C,ROYAL SIERRA PKG C	W/YGP
YG9	84	84	SPECIAL COMPONENTS,CELEBRITY Z	W/CELEBRITY Z(YG9)
YH9	76	81	INTERIOR,DELUXE	W/YH9
YJ8	76	81	WHEEL,CAST ALUMINUM	W/CAST ALUM WHL(YJ8)
YK3	76	81	PACKAGE,FRT & RR SHK ABS ELIMPITCH	W/ELIMI-PITCH(YK3)
YK3	82	83	ABSORBER,FRT & RR SHK & ELIMPITCH	W/ELIMI-PITCH(YK3)
YL1	82	84	UPHOLSTERY,LEATHER/VINYL	W/YL1
YL2	82	84	PAINT,FIREMIST	W/FIREMIST(YL2)
YL4	82	84	RUB STRIPE INSERT (WHITE)	W/RUB STR INS(YL4)
YM5	82	83	STRIPE,ACNT(DELETE)	(EXC ACNT STRIPE)
YM6	76	84	HEADREST,JAPAN(EXPORT)	W/YM6(EXPORT)
YP3	76	84	ELDORADO,CUSTOM BIARRITZ	W/BIARRITZ,YP3)
YP4	76	84	ELEGANTE	W/ELEGANTE(YP4)
YP5	76	81	PHAETON,SPECIAL EDITION	W/PHAETON(YP5)
YP5	82	84	ELDORADO,TOURING COUPE OPTION	W/ELDORADO TOURING(YP5)
YP7	82	84	CIMARRON LIMITED EDITION	W/LTD EDITION(YP7)
YP8	84	84	ELDORADO CONVERTIBLE	W/ELDORADO CONVR(YP8)
YR1	76	84	SEAT,FRT CUSTOM	W/CUST ST(YR1)
YR2	76	84	SEAT,FRT DLX	W/DLX ST(YR2)
YR3	82	84	SEAT,FRT LUX	W/LUX ST(YR3)
YS1	76	84	SEAT,RR CUSTOM	W/CUST ST(YS1)
YS2	76	84	SEAT,RR DLX	W/DLX ST(YS2)
YS3	82	83	SEAT,RR LUX	W/LUX ST(YS3)
YT1	76	84	BUILD-UP,CUST DR AND QTR	W/CUST DR AND QTR(YT1)
YT2	76	84	BUILD-UP,CUST DR AND QTR(DLX)	W/CUST DR AND QTR(YT2)
YT3	82	83	BUILD-UP,LUX DR AND QTR	W/LUX DR AND QTR(YT3)
YT6	76	84	TRIM,SPL INT BUILD-UP	W/YT6
YT7	82	83	REMINDER GROUP	W/YT7
Y5A	84	84	BODY,MILITARY,5250 COMM SHELTER (TYPE E)	W/Y5A
Y5B	84	84	BODY,MILITARY AMBULANCE (TYPE C)	W/Y5B
Y5C	84	84	BODY,MILITARY TRP & CARGO CARRIER (TYPE B)	W/Y5C
Y5D	84	84	BODY,AMBULANCE (COMPLETE PKG)	W/Y5D
Y5E	84	84	GENERATOR,DUAL DELCO 66 AMP	W/66 AMP(Y5E)
Y5F	84	84	GENERATOR,DUAL DELCO 100 AMP	W/100 AMP(Y5F)
Y5G	84	84	GENERATOR,DUAL DELCO 200 AMP	W/200 AMP(Y5G)
Y5J	84	84	RADIO PROVISION,SPECIAL MILITARY	W/Y5J
Y5P	84	84	MILITARY TROOP SEATS PKG	W/Y5P
Y5R	84	84	CAB/CHASSIS,MILITARY (TYPE D)	E/Y5R
Y02	76	81	SEAT ASM,FRT CUSTOM	W/CUST ST(Y02)
Y03	76	81	SEAT ASM,RR CUSTOM	W/CUST ST(Y03)
Y06	82	84	PANEL,COWL KICK(CARPETED)	W/CPT COWL(Y06)
Y07	76	84	MOLDING,SI WDO RVL(PAINTED)	W/PA SI WDO RVL(Y07)
Y10	76	81	BUILD UP,CUSTOM DOOR & QUARTER	W/CUST DR & QTR(Y10)
Y11	76	81	SEAT ASM,SPECIAL FRT	W/SPL DES ST(Y11)
Y12	76	81	SEAT ASM,SPECIAL RR	W/SPL DES ST(Y12)
Y13	76	81	TRIM,SPECIAL DOOR	W/SPL DES TR(Y13)
Y19	76	81	MOLDING,BODY SIDE LOWER	W/BODY SI LWR(Y19)
Y40	76	81	COOLING,HEAVY DUTY	W/H D CLG(Y40)
Y43	76	81	ROAD HAWK PKG	W/ROAD HAWK(Y43)
Y44	82	84	REGAL SPORT COUPE DECOR OPTION	W/REGAL SPORT COUPE(Y44)
Y48	76	81	REGAL SR PKG	W/REGAL SR(Y48)
Y48	84	84	ELECTRA T-TYPE	W/ELECTRA T-TYPE(Y48)
Y49	76	81	DESIGNER CONCEPT CAR,SOMERSET II	W/SOMERSET(Y49)
Y50	82	84	RIVIERA,SPORTY T-TYPE	W/RIVIERA T-TYPE(Y50)
Y52	82	83	REGAL DECOR OPTION	W/REGAL DECOR(Y52)

GM PRODUCTION OPTIONS

RPO	FY	LY	DIVISIONAL RPO DESCRIPTION	WDDGM RPO DESCRIPTION
Y53	84	84	RIVIERA C R T SPECIALTY CAR	W/RIVIERA C R T (Y53)
Y55	76	81	REMINDER PKG GROUP	W/Y55
Y57	82	84	LAMP AND INDICATOR GROUP	W/Y57
Y59	76	81	V6 ECONOMY PKG	W/FUEL ECON EQUIP(Y59)
Y59	84	84	SOMMERSET REGAL	W/SOMMERSET REGAL(Y59)
Y61	76	81	OMEGA LS	W/LS(Y61)
Y64	76	81	STARFIRE GT PKG	W/GT(Y64)
Y65	76	81	FIRENZ PKG	W/Y65
Y66	76	81	OMEGA SX PKG	W/SX(Y66)
Y67	76	81	REMINDER P-KG	W/FLJ10 LVL INQ(Y67)
Y67	82	84	REMINDER GROUP	W/Y67
Y69	76	81	CUSTOM APPEARANCE PKG	W/APPEAR PKG(Y69)
Y69	76	83	ECONOMY PACKAGE DIESEL(350 DIESEL)	W/DIESEL ECON PKG(Y69)
Y70	76	81	STRIPE BODY SI DECAL	W/ACNT STRIPE(Y70)
Y71	76	84	PAINT LWR BODY SCHEME	W/Y71
Y72	76	81	TRAILER TOWING COOLING & GEN PKG	W/H D OLG(Y72)
Y74	82	84	MOLDING PKR PNL AND WHL OPG	W/Y74
Y76	76	81	MARKETING GRP OPTION	W/Y76
Y76	82	83	REMINDER GROUP	W/Y76
Y77	76	81	ECONOMY PKG DIESEL(260 DIESEL)	W/DIESEL ECON PKG(Y77)
Y78	76	77	CUTLASS SALON OPTION	W/AK57
Y78	78	78	CUTLASS CALAIS OPTION	W/AK47
Y78	76	81	88 HOLIDAY COUPE	W/Y78
Y78	76	81	SPORT OMEGA PKG	W/SPORT PKG(Y78)
Y78	82	84	CUTLASS CALAIS	W/CUTLASS CALAIS(Y78)
Y80	76	81	EXTERIOR CUSTOM	W/CUST EXTR(Y80)
Y81	82	83	CONVERTIBLE CONVERSION PACKAGE	W/CONVR(Y81)
Y82	82	84	LIMITED EDITION OPTION	W/LIMITED(Y82)
Y83	76	81	APPOINTMENTS OPTION LJ LUXURY	W/LJ LUX(Y83)
Y83	82	83	GRAND PRIX LJ OPTION	W/GRAND PRIX LJ(Y83)
Y84	76	84	TRANS AM SPL EDITION	W/TRANS AM(Y84)
Y85	76	81	TRANS AM SPECIAL EDITION	W/Y85
Y87	76	84	BROUGHAM OPTION	W/BROUGHAM(Y87)
Y88	76	81	TRANS AM SPECIAL EDITION(GOLD)	W/Y88
Y88	83	84	SEDAN 6000 STE	W/STE(Y88)
Y89	76	81	TRANS AM SILVER ANNIVERSARY	W/Y89
Y89	82	83	LANDAU OPTION BROUGHAM	W/LANDAU BROUGHAM(Y89)
Y90	76	81	TRIM CUSTOM	W/CUST TRIM(Y90)
Y90	84	84	SPECIAL SPORT AND HANDLING PKG	W/SPT HDL PKG(Y90)
Y91	82	84	LE OPTION	W/LE(Y91)
Y92	82	84	SE OPTION	W/SE(Y92)
Y94	82	84	J2000 S OPTION	W/S(Y94)
Y95	82	84	RALLYE OPTION	W/RALLYE(Y95)
Y96	76	81	FIRM RIDE OPTION	W/FIRM RIDE(Y96)
Y97	76	83	SJ OPTION	W/SJ(Y97)
Y97	84	84	SE OPTION	W/SE(Y97)
Y98	82	84	RIDE CONTROL SYSTEM ELECTRONIC	W/ELEK RIDE CONT(Y98)
Y99	76	84	HANDLING PACKAGE	W/HDL(Y99)
ZE1	82	84	STRIPE BODY SI LWR(CANADIAN)	W/ZE1(CANADIAN)
ZE7	82	84	RESTRAINT ST BELT & SHLDR HARN(CANADIAN)	W/ZE7(CANADIAN)
ZE9	82	84	STRIPE BODY SI LWR(CANADIAN)	W/ZE9(CANADIAN)
ZF2	82	83	CAVALIER SPORTS PKG (CANADIAN)	W/ZF2(CANADIAN)
ZF3	82	83	SPORT PACKAGE CANADIAN	W/ZF3(CANADIAN)
ZF4	82	84	ACADIAN OPTION	W/ZF4(CANADIAN)
ZF5	82	84	ACADIAN OPTION	W/ZF5(CANADIAN)
ZJ1	76	81	INTERIOR TWO-TONE CUSTOM	W/CUST INTR(ZJ1)
ZJ2	76	81	EXTERIOR CUSTOM MOLDING	W/CUST EXTR(ZJ2)
ZJ5	76	81	MOLDING LWR EXTERIOR	W/LWR MLDG(ZJ5)
ZJ6	82	84	FUEL ECONOMY PKG	W/ECON PKG(ZJ6)
ZJ7	76	84	WHEEL SPL HUB CAP & TR RING	W/RALLY WHL(ZJ7)
ZJ9	76	81	LIGHTING GROUP AUXILIARY	W/AUX LTG(ZJ9)
ZK3	82	84	PACKAGE SPL INTR(EXPORT)	W/ZK3(EXPORT)
ZL9	76	81	INTERIOR LUXURY	W/LUX INTR(ZL9)
ZM1	76	81	CARAVAN PKG	W/ZM1
ZM2	76	84	TRIM BONAVENTURE	W/ZM2
ZM4	76	81	NOMAD/GYPSY	W/ZM4
ZM8	76	81	BEAUVILLE TRIM RALLY STX	W/ZM8
ZN1	76	81	TRAILERING PKG	W/TRLR(ZN1)
ZN5	76	81	WHEEL RALLY(PAINTED BODY COLOR)	W/RALLY WHL(ZN5)
ZQ2	82	84	OPERATING CONVENIENCE GROUP	W/ZQ2
ZQ8	84	84	SPORT CHASSIS PKG	W/ZQ8
ZV8	84	84	EUROSPORT CELEBRITY	W/EUROSPORT CELEBRITY(ZV8)

GM PRODUCTION OPTIONS

RPO	FY	LY	DIVISIONAL RPO DESCRIPTION	WDDGM RPO DESCRIPTION
ZW2	76	81	EMISSION, HEAVY DUTY ENG	W/ZW2
ZW9	82	84	BASE BODY GR CHASSIS	W/ZW9
ZX5	82	84	APPEARANCE PKG, VALUE	W/ZX5
ZX6	76	81	CHASSIS, HEAVY DUTY	W/ZX6
ZY7	82	84	PAINT, LOWER ACCENT	W/ZY7
ZY8	82	84	PAINT, MID ACCENT	W/ZY8
Z58	82	83	SEO OVERRIDE OF MV4 FOR POLICE & TAXI	W/Z58
Z5J	84	84	SEO OVERRIDE OF RPO U25 LUGG COMPT LP	W/Z5J
Z5T	76	84	SEO OVERRIDE OF LMI FOR POLICE & TAXI	W/Z5T
Z68	84	84	SEO OVERRIDE OF RPO JA2 H D BRAKE	W/Z68
Z01	76	81	MONZA SPYDER	W/SPYDER(Z01)
Z02	76	81	APPEARANCE PKG, MONZA SPYDER	W/SPYDER APPEAR(Z02)
Z03	76	81	LANDAU EQUIPMENT	W/FRT VNL(Z03)
Z04	76	81	MONTE CARLO CLASSIC	W/Z04
Z05	76	83	APPEARANCE PKG, 2-TONE & STRIPING	W/Z05
Z06	76	84	INTERIOR LUXURY	W/LUX INTR(Z06)
Z07	76	84	TRUCK, SPL ECON	W/SPL ECON(Z07)
Z08	82	84	CONVERTIBLE EQUIPMENT PKG	W/CONVR PKG(Z08)
Z11	82	83	CADET OPTION	W/CADET(Z11)
Z12	76	84	APPEARANCE PACKAGE	W/Z12
Z13	82	84	ORNAMENTATION, EXTR SPORT PKG	W/SPORT(Z13)
Z14	76	81	ENGINE PROCESSING, NON INTEGRATED	W/NON-INTEGRAL MD(Z14)
Z14	82	83	TRIM, CUST INTR	W/Z14
Z15	76	84	SPORT EQUIPMENT, SPL SS PKG	W/SPL SS PKG(Z15)
Z16	76	81	SPORT DECOR(BLACK KNIGHT)	W/Z16
Z16	82	84	SPORT DECOR, ROYAL KNIGHT	W/ROYAL KNIGHT(Z16)
Z18	82	84	SPORT DECOR	W/SPORT(Z18)
Z19	76	81	SPORT PKG, SPECTRE	W/Z19
Z19	82	84	SPORT PKG, X11	W/SPORT(Z19)
Z20	76	81	MONTE CARLO LIMITED EDITION	W/Z20
Z22	82	82	SUPER FUT'L ECONOMY MODEL	W/Z22
Z24	85	85	SPORT COUPE	W/SPORT COUPE(Z24)
Z25	76	81	LAGUNA TYPE S3	W/LAGUNA S3(Z25)
Z26	76	81	NOVA, RALLY	W/RALLY(Z26)
Z28	82	84	PERFORMANCE PACKAGE, SPECIAL	W/Z28
Z29	76	81	GT, SPORT	W/GT(Z29)
Z29	76	81	SPYDER EQUIPMENT	W/SPYDER(Z29)
Z32	82	83	CANADIAN PARISIENNE PONTIAC	W/Z32(CAN PONT B)
Z33	82	83	CANADIAN PONTIAC, PARISIENNE BROUGHAM	W/Z33(CAN PONT B)
Z36	82	84	PACKAGE, PONTIAC CONVERSION	W/Z36(CANADIAN)
Z46	82	83	PJ-OPTION(CANADIAN)	W/Z46(CANADIAN)
Z46	84	84	COMPETITIVE EDGE PROGRAM	W/Z46(CANADIAN)
Z47	82	83	KC-OPTION(CANADIAN)	W/Z47(CANADIAN)
Z48	82	83	FX-OPTION(CANADIAN)	W/Z48(CANADIAN)
Z49	76	84	MANDATORY CANADIAN BASE EQUIP MODIFICATIONS	W/Z49(CANADIAN)
Z50	82	83	INDIANAPOLIS COMMEMORATIVE PKG	W/INDY PKG(Z50)
Z53	76	84	GAUGE, VOLTMETER, OIL PRESS & TEMP	W/RALLY GA(Z53)
Z54	76	81	INTERIOR DECOR, SILENT SOUND GRP	W/INTR DECOR(Z54)
Z55	82	83	TOP, REMOVABLE(LT SLATE-TEXTURED)	W/Z55
Z56	82	83	TOP, REMOVABLE(DK BRONZE-TEXTURED)	W/Z56
Z57	82	83	TOP, REMOVABLE(DK BLUE-TEXTURED)	W/Z57
Z58	76	84	TOP, REMOVABLE(WHITE-TEXTURED)	W/Z58
Z59	76	84	TOP, REMOVABLE(BLACK-TEXTURED)	W/Z59
Z60	76	81	MONZA	W/MONZA(Z60)
Z60	82	83	TOP, REMOVABLE(ALMOND-TEXTURED)	W/Z60
Z61	76	81	CUSTOM GROUP	W/CUST GRP(Z61)
Z62	76	84	SCOTTSDALE/SIERRA OPTION	W/SCOTTSDALE/SIERRA(Z62)
Z64	76	81	CUTWAY VAN	W/Z64
Z65	82	84	SPORT PACKAGE-MERCHANDISING OPTION	SEE VDS
Z71	84	84	OFF ROAD CHASSIS PKG	W/OFF ROAD PKG(Z71)
Z72	82	84	TRAILERING PKG, LT DUTY	W/LT DUTY TRLR(Z72)
Z73	76	84	TRIM, SPL INTR	W/Z73
Z75	76	84	SHOCKS, FRT QUAD	W/FRT QUAD SHKS(Z75)
Z76	82	84	CHASSIS, SPL COMMERCIAL	W/Z76
Z77	76	81	CHEVY SPORT OR GMC STREET COUPE	W/Z77
Z78	76	81	APPEARANCE PKG	W/Z78
Z80	82	84	TRIM, EXTR SPL	W/Z80
Z81	82	84	CAMPER, SPL	W/Z81
Z82	82	84	TRAILERING PKG, SPL	W/TRLR PKG(Z82)
Z83	82	83	CAMPER, DLX PKG	W/Z83
Z84	76	81	CHEYENNE, HIGH SIERRA	W/Z84
Z85	76	81	SPORT PKG	W/RALLY SPORT(Z85)
Z87	76	81	FACIA, FLEXIBLE FRT END	W/Z87

GM PRODUCTION OPTIONS

RPO	FY	LY	DIVISIONAL RPO DESCRIPTION	WDDGM RPO DESCRIPTION
Z88	76	84	CONVERSION,GMC	W/GMC(Z88)
Z94	76	81	CONVERTER SYSTEM,CANADIAN OXIDIZING	W/Z94(EXPORT)
Z98	82	83	CONVERSION,CANADIAN PONTIAC	W/Z98(CANADIAN)



CHEVROLET ALL GROUPS



ALPHABETICAL INDEX

ALPHABETICAL INDEX

A

ABSORBER, Bumper Energy Absorber	7 840
ABSORBER, Front and Rear	7 345
ABSORBER, Steering Linkage	6 865
ACCUMULATOR, A.C. Refrigerant	9 195
ACTUATOR, A.C. Control Vacuum	9 280
ACTUATOR, Air Distributor	9 786
ACTUATOR, Concealed Headlamp Control Drive	2 760
ACTUATOR, Door Electric and Vacuum Locks	10 485
ACTUATOR, Exhaust Manifold Heat Valve	3 640
ACTUATOR, Headlamp Dimmer	2 459
ACTUATOR, Heater Temperature Control	8 850
ACTUATOR, Ignition Switch Warning, Lock or Headlamp	2 195
ACTUATOR KIT, Ignition Switch Warning, Lock or Headlamp	2 195
ACTUATOR, Plenum Air	9 789
ACTUATOR, Transmission Parking Brake	4 290
ACTUATOR, Windshield Wiper Access	10 130
ADAPTER & SLEEVE KIT, Steering Gear Hydraulic Valve	6 551
ADAPTER, Air Distributor	9 262
ADAPTER, Air Distributor	9 786
ADAPTER, Air Injection Reactor	3 675
ADAPTER KIT, Steering Gear Hydraulic Valve	6 551
ADAPTER, Oil Distribution	1 531
ADAPTER, Oil Filter	1 840
ADAPTER, Radio Antenna	9 647
ADAPTER, Speedometer Driven Gear	4 329
ADAPTER, Steering Column	6 521
ADAPTER, Steering Gear Hydraulic	6 550
ADJUSTER, Front Seat Adjuster	11 561
ADJUSTER, Steering Gear Worm Bearing	6 830
ADJUSTER, Steering Gear Lash Adjuster	6 822
AMMETER, Instrument Panel	2 515
AMPLIFIER, Distributor	2 383
ANTENNA, Radio (With Motor)	9 645
ANTENNA, Radio Antenna	9 647
ANTI SQUEAK, Accelerator Pedal	3 451
ARM, Air Distributor	9 786
ARMATURE KIT, Radio Antenna	9 647
ARMATURE, Starter Motor	2 043
ARMATURE, Windshield Wiper Motor	10 150
ARM, Engine Valve Rocker	0 333
ARM KIT, Engine Valve Rocker	0 333
ARM KIT, Steering Knuckle	6 103
ARM, Rear Axle Control	5 382
ARM REST, Front Door Arm Rest	14 686
ARM, Steering Knuckle Upper & Lower Control	6 168
ARM, Steering Pitman	6 859
ARM, Turn Signal Lamp	2 895
ARM, Windshield Wiper Motor Drive	10 151
ARM, Windshield Wiper Blade	10 147
ARRESTOR, Crankcase	1 745

B

BAFFLE, Carburetor and Fuel Meter Fuel Inlet	3 740
BAFFLE, Carburetor to Manifold	3 726

BAFFLE, Oil Pan	1 430
BAFFLE, Radiator Air	1 272
BAFFLE, Rear Quarter Side Inner	12 941
BAFFLE, Suction Throttling (P O A)	9 198
BAG, Roof Panel	12 810
BAIL, Brake Master Cylinder	4 651
BALANCER, Engine Crankshaft	0 659
BALL, A.C. Compressor (Internal Parts)(Axial)	9 172
BALL, Carburetor Pump Outlet Valve	3 825
BALL, Engine Valve	0 459
BALL, Engine Valve Adjusting	0 429
BALL, Fuel Tank Filler	12 945
BALL JOINT, Front Wheel Lower Control Arm	6 174
BALL JOINT KIT, Upper Control Arm Shaft	6 164
BALL PKG, Trailer(Group 7 068)	21 250
BALL, Steering Gear Worm	2 844
BALL, Transmission Control Valve	4 265
BALL, Transmission Governor	4 256
BALL, Transmission Input and Turbine Shaft	4 123
BALL, Transmission Pressure Regulator and Oil Pump	4 216
BALL, Transmission Shift Shaft Detent	4 311
BALL, Windshield Wiper Motor	10 150
BAND, Transmission Brake	4 251
BAND, Transmission Clutch	4 163
BAR, Bumper Face	7 831
BAR, Carburetor Throttle	3 762
BAR KIT, Bumper Face	7 831
BAR, License Plate	7 800
BAR, Radiator Grille	1 268
BASE, Air Cleaner to Carburetor Mounting	3 406
BASE, Front Seat Adjuster	11 561
BEAD KIT, Catalytic Converter	3 685
BEARING, A.C. Compressor Pulley	9 181
BEARING, A.C. Compressor (Internal Parts)(Axial)	9 172
BEARING, A.C. Compressor (Internal parts)(Radial)	9 172A
BEARING, Concealed Headlamp Control Opening Cover	2 765
BEARING, Differential Drive Pinion	5 484
BEARING, Differential Drive Pinion Front	5 447
BEARING, Differential Side	5 536
BEARING, Engine Camshaft Thrust	0 533
BEARING, Engine Camshaft	0 539
BEARING, Engine Clutch Release fork	0 799
BEARING, Engine Crankshaft Clutch Pilot	0 649
BEARING, Engine Fan Coolant	1 060
BEARING, Front Wheel Inner	6 311
BEARING, Front Wheel Outer	6 313
BEARING, Generator Drive End	2 306
BEARING, Generator Slip Ring End Frame	2 298
BEARING, Idler Pulley	4 850
BEARING, King Pin Thrust	6 210
BEARING KIT, Engine Connecting Rod	0 616
BEARING KIT, Engine Crankshaft	0 096
BEARING KIT, Rear Wheel	5 855
BEARING KIT, Transmission Overhaul	4 005
BEARING KIT, Transmission Rear Internal Gear	4 187
BEARING KIT, Transmission Sun Gear	4 159
BEARING, Power Brake Booster(Vacuum)	4 924
BEARING, Rear Axle U Joint	5 428
BEARING, Rear Wheel	5 855
BEARING, Steering Column	6 521

ALPHABETICAL INDEX

BEARING, Steering Gear Shaft	6 525	BOLT, Flywheel	0 679
BEARING, Steering Gear Thrust	6 835	BOLT, Folding and Hard Top	14 080
BEARING, Steering Gear Pitman Shaft	6 786	BOLT, Folding Top Compartment Lid	12 242
BEARING, Transmission Sun Gear	4 159	BOLT, Front Fender Molding	8 133
BEARING, Transmission Main Shaft Rear (Output)	4 408	BOLT, Fuel Tank Mounting Strap	3 023
BEARING, Transmission Housing	4 162	BOLT, Generator	2 313
BEARING, Transmission Oil Pump	4 226	BOLT, Generator Mounting	2 277
BEARING, Transmission Clutch	4 164	BOLT, Hardtop	13 346
BEARING, Transmission Rear	4 408	BOLT, Hood Latch	8 085
BEARING, Transmission Reverse Idler Gear Thrust	4 437	BOLT, Hood Panel	8 015
BEARING, Transmission Output Shaft or Carrier	4 176	BOLT, Hub or Drum (Front and Rear Wheel)	5 812
BEARING, Transmission Main Drive Gear	4 355	BOLT, Intake & Exhaust Manifold	3 275
BEARING, Transmission Synchronizer	4 384	BOLT KIT, Battery Cable	2 343
BEARING, Transmission Mainshaft	4 352	BOLT KIT, Bumper Energy Absorber	7 840
BEARING, Transmission Reverse Idler Gear Thrust	4 437	BOLT KIT, Steering Gear Shaft	6 525
BEARING, Transmission Planet Carrier	4 176	BOLT, Oil Filter	1 840
BEARING, Transmission Main Drive Gear	4 355	BOLT, Radiator	1 270
BEARING, Transmission Low Sun Gear and Clutch	4 162	BOLT, Radio	9 650
BEARING, Turn Signal Lamp	2 895	BOLT, Radio Mounting	9 667
BELLOWS, Windshield Washer Pump	10 153	BOLT, Radio Static Suppression	9 663
BELT, Drive Belts	1 066	BOLT, Rear Axle Control Arm	5 383
BEZEL, Door Outside Handle	10 537	BOLT, Rear Axle Housing	5 398
BEZEL, Exhaust Tail Pipe	3 705	BOLT, Rear Axle U Joint	5 428
BEZEL, Fuel Tank Filler	12 945	BOLT, Rear Compartment Lid and End Gate	12 184
BEZEL, Headlamp	2 728	BOLT, Rear Spring	7 506
BEZEL, Headlamp Switch	2 487	BOLT, Rear Spring and Axle	7 529
BEZEL, Heater Control	8 852	BOLT, Ring Gear	5 531
BEZEL, Hood Panel Ornamentation	8 055	BOLT, Roof Panel	12 810
BEZEL, Instrument Cluster	9 743	BOLT, Seat Back	11 381
BEZEL, License Plate	7 800	BOLT, Seat Belt	14 875
BEZEL, Radio Antenna	9 647	BOLT, Shock Absorber	7 380
BEZEL, Rear Compartment Lid and Rear-End Panel	12 182	BOLT, Shock Absorber	7 347
BEZEL, Rear Compartment Floor	12 981	BOLT, Spare Wheel Mounting	7 832
BEZEL, Rear View Mirror	10 186	BOLT, Stabilizer	7 240
BEZEL, Side Marker and Hazard Flasher	2 575	BOLT, Starter Motor	2 042
BEZEL, Tail Lamp Lens	2 689	BOLT, Starter Motor Shoe	2 077
BEZEL, Windshield Wiper Control	10 166	BOLT, Steering Column Housing	6 500
BINDING, Carpet	15 294	BOLT, Steering Column Attaching	6 760
BINDING, Rear Floor	15 306	BOLT, Steering Connecting Rod	8 874
BLADDER, Fuel	3 001	BOLT, Steering Gear Housing Side Cover	6 809
BLADE, Windshield Wiper	10 146	BOLT, Steering Gear Mounting	6 509
BLOCK, Battery(Positive)	2 342	BOLT, Steering Gear Shaft	6 525
BLOCK, Engine	0 033	BOLT, Steering Idler and Third Arm Shaft	6 181
BOARD, Windshield Wiper Motor	10 150	BOLT, Steering Knuckle Lower Control Arm	6 172
BODY, Carburetor	3 729	BOLT, Steering Knuckle Upper Control Arm	6 178
BODY, Oil Filter	1 837	BOLT, Steering Linkage	6 865
BODY, Power Brake Booster(Vacuum)	4 922	BOLT, Steering Pump Idler	6 665
BODY, Transmission Governor	4 256	BOLT, Steering Pump Mounting	6 606
BODY, Transmission Oil Pump	4 224	BOLT, Steering Relay & Tie Rod	6 104
BOLT, A.C. Compressor Mounting	9 171	BOLT, Transmission	4 115
BOLT, Air Injection Reactor Pump	3 655	BOLT, Transmission Case Extension	4 319
BOLT, Battery Hold Down	2 334	BOLT, Transmission Control	4 032
BOLT, Body Moldings	12 118	BOLT, Transmission Converter	4 115
BOLT, Brake Cylinder and Pedal Shaft	4 648	BOLT, Transmission Extension	4 319
BOLT, Brake Flange Plate	5 002	BOLT, Transmission Housing	4 162
BOLT, Brake Hose	4 671	BOLT, Transmission Mount and Support	4 085
BOLT, Brake Shoe Anchor Pin	5 056	BOLT, Transmission Oil Pan	4 197
BOLT, Bumper Mounting	7 874	BOLT, Transmission Oil Pump	4 226
BOLT, Clutch Release Lever	0 873	BOLT, Transmission Parking Brake	4 290
BOLT, Cruise Control	3 887	BOLT, Universal Joint Bearing and Flange	5 586
BOLT, Differential Carrier	5 506	BOLT, Windshield Wiper Access	10 130
BOLT, Door Window Regulator	10 792	BOLT, Windshield Wiper Motor	10 150
BOLT, Emission Control System	3 671	BONDING STRIP, Body Rear End(Plastic Laminated)	12 986
BOLT, Energy Absorber Bar Guide	7 829	BONDING STRIP, Front Fender	8 141
BOLT, Engine Clutch	0 864	BONDING STRIP, Radiator	1 263
BOLT, Engine Clutch Cover to Flywheel	0 862	BONDING STRIP, Rear Compartment Floor	12 981
BOLT, Engine Connecting Rod Cap	0 623	BOOSTER, Power Brake(Vacuum)	4 901
BOLT, Engine Coolant Pump	1 073	BOOT, auto Jack	8 820
BOLT, Engine Crankshaft Pulley and Balancer	0 662	BOOT, Brake Master Cylinder Rod	4 659
BOLT, Engine Cylinder Head	0 293	BOOT, Cruise Control	3 885
BOLT, Engine Flywheel	0 669	BOOT, Engine Clutch Release Fork	0 797
BOLT, Engine Main Bearing Cap	0 056	BOOT, Seat Belt	14 875
BOLT, Engine Mounting	0 002	BOOT, Transmission Control Lever	4 015
BOLT, Engine Oil Pump	1 652	BOOT, Windshield Wiper Access	10 130
BOLT, Engine Valve Rocker Arm Cover	0 413	BOWL, Carburetor Float	3 734
BOLT, Exhaust Manifold End Bolt	3 604	BOWL, Steering Column	6 518
BOLT, Exhaust Manifold Heater	3 602	BOW, Roof	12 952
BOLT, Exhaust Pipe	3 613	BRACE, A.C. Compressor Mounting	9 171
BOLT, Exhaust System Attaching	3 708	BRACE, Air Injection Reactor Pump	3 655
		BRACE, Bumper	7 836
		BRACE, Floor Console	10 240
		BRACE, Frame Front Cross Member	7 039
		BRACE, Front Body Hinge Pillar	12 840

ALPHABETICAL INDEX

BRACE, Generator	2 317	BRACKET, Radiator to Grille	1 287
BRACE, Radiator and Front End Tie	1 271	BRACKET, Radiator Fan	1 277
BRACE, Rear Compartment Floor	12 981	BRACKET, Radiator Grille and Front End Panel	1 267
BRACE, Shroud and Dash and Vent Duct	12 804	BRACKET, Radio Antenna	9 647
BRACE, Starter Motor	2 042	BRACKET, Radio Mounting	9 667
BRACE, Steering Column Attaching	6 760	BRACKET, Radio Static Suppression	9 663
BRACE, Steering Pump Mounting	6 606	BRACKET, Rear Axle Control Arm	5 380
BRACKET, A.C. Compressor Mounting	9 171	BRACKET, Rear Compartment	12 247
BRACKET, A.C. Compressor	9 242	BRACKET, Rear Compartment Floor	12 981
BRACKET, A.C. Condenser	9 190	BRACKET, Rear Compartment Lid Release	12 243
BRACKET, A.C. Refrigerant	9 196	BRACKET, Rear Hatch Window	12 187
BRACKET, Accelerator Pedal Lever	3 454	BRACKET, Rear View Mirror	10 186
BRACKET, Air Cleaner Air Intake	3 417	BRACKET, Roof Panel	12 810
BRACKET, Air Distributor	9 786	BRACKET, Roof Trim Headlining	14 640
BRACKET, Air Injection Reactor Pump	3 655	BRACKET, Seat Back Locking	11 390
BRACKET, Air Injection Reactor	3 675	BRACKET, Shock Absorber Anchor	7 395
BRACKET, Back Up Lamp	2 698	BRACKET, Shock Absorber	7 380
BRACKET, Battery Cable	2 343	BRACKET, Spare Wheel	7 629
BRACKET, Body Mount Rear	7 330	BRACKET, Spark Plug Wire	2 251
BRACKET, Brake Flange	5 001	BRACKET, Speedometer to Instrument Panel(Domestic)	9 761
BRACKET, Brake Hose or Pipe	4 681	BRACKET, Stabilizer Shaft	7 242
BRACKET, Bumper Energy Absorber	7 840	BRACKET, Steering Column Attaching	6 760
BRACKET, Bumper Mounting	7 869	BRACKET, Steering Idler Arm	6 896
BRACKET, Carburetor Throttle	3 444	BRACKET, Steering Pump Mounting	6 606
BRACKET, Carburetor Air Cleaner Controls	3 415	BRACKET, Stop Lamp	2 447
BRACKET, Chassis Wiring Harness	2 559	BRACKET, Tachometer	9 750
BRACKET, Chassis Wiring	2 480	BRACKET, Towing	7 068
BRACKET, Concealed Headlamp Motor	2 755	BRACKET, Transmission Support	7 011
BRACKET, Concealed Headlamp Control Opening Cover	2 765	BRACKET, Transmission Control Switch	4 060
BRACKET, Concealed Headlamp Control Drive	2 760	BRACKET, Transmission Control Lever	4 010
BRACKET, Cruise Control	3 885	BRACKET, Transmission Control Lock Cable	4 070
BRACKET, Cruise Control	3 880	BRACKET, Transmission Detent Control	4 050
BRACKET, Differential Carrier Mounting	5 500	BRACKET, Transmission Mounting	4 083
BRACKET, Distributor	2 383	BRACKET, Transmission Shift Control Cable	4 047
BRACKET, Distributor	2 393	BRACKET, Transmission Control Lock Cable	4 070
BRACKET, Dome and Reading Lamp	11 927	BRACKET, Transmission Control Indicator	4 020
BRACKET, Door Arm Rest Trim	14 690	BRACKET, Transmission Parking Brake	4 290
BRACKET, Door Electric and Vacuum Locks	10 485	BRACKET, Transmission Mounting	4 083
BRACKET, Door Lock	10 569	BRACKET, Transmission Control Cable	4 047
BRACKET, Early Fuel Evaporation Control	3 140	BRACKET, Transmission Control Lever	4 010
BRACKET, Emission Control System	3 671	BRACKET, Transmission Gearshift Hand Lever	4 010
BRACKET, Engine Air Cooling(Electrical)	1 055	BRACKET, Transmission Gearshift Shaft	4 030
BRACKET, Engine Clutch Control	0 852	BRACKET, Transmission Park Lock	4 220
BRACKET, Engine Cooling	1 219	BRACKET, Transmission Control Lever	4 010
BRACKET, Engine Fuel	3 890	BRACKET, Transmission Shift Control	4 030
BRACKET, Engine Lift	0 004	BRACKET, Transmission Support	4 083
BRACKET, Engine Mounting	0 029	BRACKET, Transmission Control Lock Cable	4 070
BRACKET, Exhaust Manifold Heater	3 602	BRACKET, Windshield Wiper Access	10 130
BRACKET, Exhaust Mounting	3 706	BRACKET, Windshield Wiper Control	10 163
BRACKET, Exhaust Muffler	3 704	BRACKET, Windshield Washer	10 154
BRACKET, Floor Console	10 240	BREAKER, Body Harness	13 095
BRACKET, Floor Pan	12 980	BREAKER, Headlamp	2 485
BRACKET, Folding and Hard Top	14 080	BREATHER, Carburetor Air Cleaner	3 410
BRACKET, Folding Top Front Roof	14 050	BRIDGE, Generator	2 319
BRACKET, Frame Front Cross Member	7 039	BRUSH, Distributor Cap Retaining	2 368
BRACKET, Front Door Trim Binding Strip	14 683	BRUSH, Generator	2 285
BRACKET, Front Seat Adjuster	11 561	BRUSH, Generator Brush	2 291
BRACKET, Generator Mounting	2 277	BRUSH, Starter Motor	2 051
BRACKET, Hardtop	13 346	BRUSH, Windshield Wiper Motor	10 150
BRACKET, Headlamp Adjuster	2 737	BUMPER, Back Window Reveal Molding	11 209
BRACKET, Heater	8 846	BUMPER, Bumper to Body	7 833
BRACKET, Heater	8 845	BUMPER, Bumper Face	7 831
BRACKET, Heater and Defroster	8 857	BUMPER, Door	10 587
BRACKET, Heater Control	8 852	BUMPER, Door Window	10 716
BRACKET, Hood Latch	8 085	BUMPER, Engine Clutch Pedal	0 829
BRACKET, Hood Latch	8 080	BUMPER, Folding and Hard Top	14 080
BRACKET, Hydraulic Steering Cylinder	6 575	BUMPER, Folding Top Compartment	12 170
BRACKET, Ignition Coil Mounting	2 183	BUMPER, Fuel Tank Filler	12 945
BRACKET, Ignition Switch Warning, Lock or Headlamp	2 195	BUMPER, Hardtop	13 346
BRACKET, Instrument Cluster	9 744	BUMPER, Hood Panel Closing	8 024
BRACKET KIT, Exhaust Mounting	3 706	BUMPER, License Plate	7 800
BRACKET KIT, Headlamp Adjuster	2 737	BUMPER, Power Brake Booster Reaction	4 934
BRACKET KIT, Radio Antenna	9 647	BUMPER, Rear Axle	5 395
BRACKET KIT, Steering Pump Mounting	6 606	BUMPER, Rear Compartment Floor	12 981
BRACKET KIT, Transmission Control Lever	4 010	BUMPER, Rear Spring	7 535
BRACKET, License Plate	7 800	BUMPER, Seat Back	11 381
BRACKET, Luggage Carrier	12 815	BUMPER, Seat Back Locking	11 390
BRACKET, Outside Air	9 787	BUMPER, Steering Column	6 514
BRACKET, Parking Brake Cable	4 785	BUMPER, Steering Knuckle Control Arm	6 176
BRACKET, Plenum Air	9 789	BUSHING, A.C. Compressor (Internal Parts)(Axial)	9 172
BRACKET, Power Steering Hose	6 672	BUSHING, A.C. Condenser	9 190
BRACKET, Radiator	1 270	BUSHING, Brake Pedal	4 626

ALPHABETICAL INDEX

BUSHING, Bumper Mounting	7 865	CABLE, Front Fender	8 141
BUSHING, Carburetor Throttle Control	3 425	CABLE, Fuel Injection Distributor	3 340
BUSHING, Concealed Headlamp Control Opening Cover	2 765	CABLE, Hood Latch Release	8 075
BUSHING, Distributor	2 401	CABLE KIT, Tachometer	9 750
BUSHING, Door Hinge	10 464	CABLE KIT, Transmission to Speedometer	4 342
BUSHING, Door Window Regulator	10 792	CABLE, Outside Air	9 787
BUSHING, Engine Clutch Pedal	0 831	CABLE, Parking Brake	4 779
BUSHING, Engine Clutch Lever & Shaft	0 851	CABLE, Radio Antenna	9 647
BUSHING, Exhaust Manifold Heat	3 647	CABLE, Rear Compartment Lid Release	12 243
BUSHING, Folding Top	14 340	CABLE, Seat Belt	14 875
BUSHING, Folding Top Compartment	12 170	CABLE, Tachometer	9 750
BUSHING, Folding Top Side Roof Rail	14 160	CABLE, Throttle Control	3 430
BUSHING, Front Seat Bottom Hinge	11 375	CABLE, Transmission to Speedometer	4 342
BUSHING, Fuel Tank Filler	12 945	CABLE, Transmission to Speedometer	4 342
BUSHING, Heater Control	8 852	CABLE, Transmission to Speedometer	4 342
BUSHING, Horn Button Blowing	2 819	CABLE, Transmission Control Lock Cable	4 070
BUSHING, Instrument Panel Ash Tray	12 009	CABLE, Transmission Detent Control	4 050
BUSHING, Oil Pressure Gage	1 803	CABLE, Transmission Shift Control Cable	4 047
BUSHING, Quarter Window Sash	11 007	CABLE, Turn Signal Lamp	2 895
BUSHING, Rear Axle	5 417	CALIBRATOR, Emission Control System	3 670
BUSHING, Rear Axle Control Arm	5 381	CAM, Carburetor and Fuel Injection Fast Idle	3 766
BUSHING, Rear Compartment Floor	12 981	CAM, Carburetor Pump	3 842
BUSHING, Rear Spring	7 504	CAM CONVERSION KIT, Turn Signal Switch Cancelling	2 895
BUSHING, Rear Spring Shackle	7 524	CAM, Distributor	2 381
BUSHING, Rear View Mirror	10 186	CAM, Front Door Window Lower Sash Channel	10 687
BUSHING, Roof Panel	12 810	CAM, Fuel Tank Meter	3 107
BUSHING, Speedometer to Instrument Panel(Domestic)	9 761	CAM, Horn Button Blowing	2 819
BUSHING, Stabilizer Shaft	7 243	CAM, Rear Axle	5 417
BUSHING, Starter Motor Drive End	2 083	CAMSHAFT, Engine	0 519
BUSHING, Steering Column	6 521	CAM, Transmission Clutch	4 167
BUSHING, Steering Gear Pitman Shaft	6 786	CAM, Transmission Shift Shaft Detent	4 311
BUSHING, Steering Knuckle Lower Control Arm	6 170	CAM, Turn Signal Switch Cancelling	2 896
BUSHING, Steering Knuckle King Pin	6 021	CAM, Windshield Washer Pump	10 153
BUSHING, Transmission Clutch	4 169	CANISTER, Fuel Tank Evaporator Control(Engine End)	3 130
BUSHING, Transmission Planet Carrier	4 176	CAP, A.C. Compressor	9 177
BUSHING, Transmission Oil Pump	4 203	CAPACITOR, Distributor	2 393
BUSHING, Transmission Rear Main Bearing	4 319	CAPACITOR, Generator	2 319
BUSHING, Transmission Safety Starting Switch	4 054	CAPACITOR, Radio Static Suppression	9 663
BUSHING, Transmission Extension	4 319	CAPACITOR, Rear Window Defogger	9 778
BUSHING, Transmission Governor	4 256	CAPACITOR, Stop Lamp	2 447
BUSHING, Transmission Extension	4 319	CAP, Back Window Reveal	11 208
BUSHING, Transmission Clutch(Low & Reverse)	4 180	CAP, Brake Master Cylinder	4 651
BUSHING, Transmission Sun Gear and Shaft	4 161	CAP, Carburetor Float	3 734
BUSHING, Transmission Clutch	4 168	CAP, Crankcase Oil Filter	1 758
BUSHING, Transmission Sun Gear	4 159	CAP, Distributor	2 367
BUSHING, Transmission Output Shaft or Carrier	4 175	CAP, Door Outside Lock Cylinder	10 552
BUSHING, Transmission Clutch	4 169	CAP, Door Window Regulator	10 792
BUSHING, Transmission Case Extension	4 319	CAP, Engine Coolant Pump	1 073
BUSHING, Transmission Housing	4 162	CAP, Engine Coolant Recovery	1 240
BUSHING, Transmission Oil Pump	4 226	CAP, Engine Main Bearing	0 095
BUSHING, Transmission Output Shaft or Carrier	4 176	CAP, Engine Valve Spring	0 309
BUSHING, Transmission Safety Starting Switch	4 054	CAP, Front Wheel Hub Grease	6 330
BUSHING, Transmission Control Rod To Lever	4 037	CAP, Fuel Tank Evaporator Control(Engine End)	3 130
BUSHING, Transmission Case	4 104	CAP, Fuel Tank Filler	3 028
BUSHING, Transmission Control Lever	4 008	CAP, Horn Button	2 820
BUSHING, Transmission Input	4 158	CAP, Intake Manifold Vacuum	3 278
BUSHING, Upper Control Arm Shaft	6 164	CAP, Luggage Carrier	12 815
BUSHING, Windshield Reveal Molding	10 093	CAP, Radiator Filler	1 203
BUSHING, Windshield Wiper Control	10 163	CAP, Radio Antenna	9 647
BUSHING, Windshield Wiper Access	10 130	CAP, Rear Axle	5 417
BUTTON, Distributor	2 381	CAP, Rear Axle U Joint	5 428
BUTTON, Door Outside Handle	10 520	CAP, Roof Drip	12 075
BUTTON, Seat Back Locking	11 390	CAP, Roof Panel	12 810
BUTTON, Side Marker and Hazard Flasher	2 575	CAP, Steering Column	6 518
BUTTON, Transmission Gearshift Control (Hand)	4 006	CAP, Steering Pump	6 635
BUTTON, Transmission Control Lever	4 006	CAP, Suction Throttling (P.O.A.)	9 198
BUZZER, Headlamp Warning	2 461	CAPSULE, Headlamp	2 725
BUZZER, Ignition Switch Warning, Lock or Headlamp	2 195	CAP, Tire Valve And Cover Lock	5 875
BUZZER, Seat Belt	14 875	CAP, Transmission Governor	4 256
		CAP, Wheel Trim	5 858
		CAP, Windshield Washer	10 154
		CAP, Windshield Wiper Motor Drive	10 151
		CARBURETOR, Carburetor	3 724
		CARBURETOR, Carter	3 725C
		CARBURETOR, Holly	3 725E
		CARBURETOR, Rochester	3 725
		CARPET, Front Floor	15 286
		CARPET MATERIAL, Yardage	15 512
		CARPET, Rear Floor	15 306
		CARPET, Yardage	15 512
		CARRIAGE, Front Seat Adjuster	11 561
CABLE, Battery(Negative)	2 341		
CABLE, Battery(Positive)	2 342		
CABLE, Cruise Control	3 880		
CABLE, Folding Top Compartment Lid	12 242		
CABLE, Folding Top Compartment	12 170		
CABLE, Folding Top Trim Hold Down	14 102		

C

ALPHABETICAL INDEX

CARRIER, Differential, with Cap	5 505	CLIP, Early Fuel Evaporation	3 145
CARRIER PKG, Roof & Deck Lid(Group 12 810)	21 060	CLIP, Emission Control System	3 571
CARRIER, Roof Panel	12 810	CLIP, Energy Absorber Bar Guide	7 829
CARRIER, Spare Wheel	7 629	CLIP, Folding Top, Bow Binding End	13 342
CARRIER, Transmission Output Shaft or Carrier	4 175	CLIP, Front Door Trim Binding Strip	14 683
CARRIER, Transmission Planet	4 175	CLIP, Front Fender	8 154
CASE, A.C. Evaporator	9 211	CLIP, Front Seat Side Trim	14 818
CASE, Differential (Ring Gear and Pinion)	5 510	CLIP, Fuel Pipe	3 162
CASE, Heater and Defroster	8 857	CLIP, Fuel Tank Filler	3 003
CASE, Heater Core	8 854	CLIP, Fuel Tank Meter	3 107
CASE, Instrument Cluster	9 743	CLIP, Generator	2 313
CASE, Instrument Panel Compartment Door		CLIP, Ignition Switch Warning, Lock or	
Lock	10 266	Headlamp	2 195
CASE KIT, Transmission Case	4 103	CLIP, Instrument Cluster	9 744
CASE, Transmission Case	4 103	CLIP, Instrument Panel	14 655
CASE, Windshield Wiper Motor	10 150	CLIP KIT, Radio Antenna	9 647
CATCH, Hood Latch	8 080	CLIP, Outside Air	9 787
CAULKING KIT, Back Window	1 204	CLIP, Radiator Baffle and Shroud	1 276
CAULKING KIT, Windshield Glass	10 027	CLIP, Radio Mounting	9 667
CHAIN, Cruise Control	3 885	CLIP, Rear Compartment Floor	12 941
CHAIN, Engine Timing	0 724	CLIP, Roof Panel	12 810
CHANNEL, Back Window Glass	11 207	CLIP, Roof Trim Headlining	14 640
CHANNEL, Door Ventilator Glass (With Tee		CLIP, Seat Belt	14 875
Shaft)	10 655	CLIP, Side Marker and Hazard Flasher	2 575
CHANNEL, Door Window Regulator	10 792	CLIP, Spark Plug Wire	2 251
CHANNEL, Front Door Window	10 685	CLIP, Speedometer in Instrument	
CHANNEL, Quarter Window Glass	11 015	Panel(Domestic)	9 761
CHANNEL, Windshield Glass	10 092	CLIP, Speedometer Drive Gear	4 345
CHOKE HOUSING KIT, Automatic Choke Control	3 750	CLIP, Steering Column	6 521
CLAMP, A.C. Evaporator Expansion Valve	9 214	CLIP, Stop Lamp	2 447
CLAMP, A.C. Evaporator	9 211	CLIP, Sunshade	10 219
CLAMP, A.C. Refrigerant	9 196	CLIP, Transmission to Speedometer	4 342
CLAMP, A.C. Vacuum & Temperature	9 281	CLIP, Transmission Control Lock Cable	4 070
CLAMP, Air Distributor	9 786	CLIP, Transmission Detent	4 279
CLAMP, Air Injection Reactor and Exhaust Gas		CLIP, Transmission Oil Cooler	4 128
Recirculation	3 680	CLIP, Transmission Oil Pan	4 197
CLAMP, Battery Hold Down	2 335	CLIP, Transmission Throttle Valve Control	4 052
CLAMP, Carburetor Throttle Control	3 425	CLIP, Transmission Vacuum	4 205
CLAMP, Distributor and Fuel Injector	2 363	CLIP, Turn Signal Lamp	2 892
CLAMP, Engine Cooling	1 219	CLIP, Windshield Glass	10 092
CLAMP, Exhaust Pipe	3 616	CLIP, Windshield Reveal	10 096
CLAMP, Exhaust System Attaching	3 708	CLIP, Windshield Washer	10 154
CLAMP, Heater Core	8 854	CLIP, Windshield Washer	10 155
CLAMP, Heater Water Flow	8 866	CLOCK, Clock	9 772
CLAMP, Hose (Radiator, Heater, A.C.)	1 166	CLOTH, Polishing(Group 8 800)	21 090
CLAMP, Intake & Exhaust Manifold	3 273	CLUSTER, Instrument Panel Gage	9 735
CLAMP KIT, Steering Gear Shaft	6 525	CLUTCH DRIVE, A.C. Compressor Clutch	
CLAMP, Outside Air	9 787	Actuating	9 188
CLAMP, Power Brake Booster(Vacuum)	4 930	CLUTCH, Engine Air Cool Fan	1 050
CLAMP, Power Steering Hose	6 672	CLUTCH, Transmission Synchronizing	4 380
CLAMP, Steering Gear Ball Return Guide	6 843	CLUTCH, Transmission Clutch	4 164
CLAMP, Steering Gear Shaft	6 525	CLUTCH, Transmission Clutch	4 164
CLAMP, Steering Relay	6 870	CLUTCH, Transmission Clutch(Low & Reverse)	4 180
CLAMP, Steering Tie Rod	6 234	CLUTCH, Transmission Synchronizing	4 380
CLAMP, Valve In Receiver	9 199	COIL, A.C. Compressor Clutch Actuating	9 186
CLEANER, Carburetor	3 402	COIL, Automatic Choke Control	3 750
CLEVIS, Master Cylinder Adjusting	4 662	COIL, Ignition	2 170
CLEVIS, Transmission Control Rod To Lever	4 037	COIL, Radio Antenna	9 647
CLIP, A.C. Compressor	9 242	COIL, Starter Motor	2 049
CLIP, Air Distributor	9 262	COLLAR, Generator Drive End	2 307
CLIP, Air Distributor	9 786	COLLAR, Starter Motor Thrust	2 063
CLIP, Air Injection Reactor and Exhaust Gas		COLUMN, Steering Column	6 518
Recirculation	3 680	COMPARTMENT, Instrument Panel	10 260
CLIP, Air Outlet	9 264	COMPARTMENT, Rear Compartment Floor	12 981
CLIP, Ash Receiver Mounting	12 016	COMPASS PKG, Auto(Group 8 873)	21 100
CLIP, Back Up Lamp	2 698	COMPRESSOR, A.C. Compressor	9 170
CLIP, Back Window Reveal Molding	11 209	COMPRESSOR PKG, Air Lift Shocks(Group	
CLIP, Battery Cable	2 343	7 455)	21 110
CLIP, Body Wiring	13 090	CONDENSER, A.C. Condenser	9 190
CLIP, Brake Hose or Pipe	4 686	CONDENSER, Distributor	2 393
CLIP, Brake Shoe Anchor Pin	5 056	CONDUIT, Chassis Electrical	2 530
CLIP, Carburetor and Fuel Meter Intake (with		CONDUIT, Door	10 778
Seat and Gasket)	3 814	CONE, Differential Drive Pinion	5 484
CLIP, Carburetor and Fuel Injection Choke	3 752	CONNECTOR, A.C. Vacuum & Temperature	9 281
CLIP, Carburetor Throttle Control	3 425	CONNECTOR, Air Injection Reactor and Exhaust	
CLIP, Chassis Wiring	2 480	Gas Recirculation	3 680
CLIP, Chassis Wiring Harness	2 559	CONNECTOR, Body Harness	13 100
CLIP, Cruise Control	3 885	CONNECTOR, Brake Hose or Pipe	4 686
CLIP, Door Inside Locking Rod	10 565	CONNECTOR, Carburetor Vacuum	3 765
CLIP, Door Lock	10 474	CONNECTOR, Carburetor	3 755
CLIP, Door Lock	10 508	CONNECTOR, Chassis Electrical	2 530
CLIP, Door Weatherstrip	10 695	CONNECTOR, Cigarette Lighter	9 709
CLIP, Door Window	10 777	CONNECTOR, Clock	9 772
CLIP, Early Fuel Evaporation Control	3 140		

ALPHABETICAL INDEX

CONNECTOR, Concealed Headlamp Control Opening Cover	2,765	COVER, Heater Core	8,854
CONNECTOR, Crankcase	1,745	COVER, Hydraulic Steering Valve	6,554
CONNECTOR, Distributor	2,400	COVER, Ignition and Locks	2,187
CONNECTOR, Early Fuel Evaporation	3,145	COVER, Inside Rear View Mirror	10,187
CONNECTOR, Engine and Transmission Controlled Spark	2,408	COVER, Instrument Panel Opening	10,256
CONNECTOR, Intake Manifold Vacuum	3,278	COVER, Instrument Panel Ash Tray	12,009
CONNECTOR, Oil Distribution	1,531	COVER, King Pin Oil	6,225
CONNECTOR, Oil Filter	1,855	COVER KIT, Engine Valve Rocker Arm	0,386
CONNECTOR, Parking Brake Cable	4,785	COVER KIT, Hydraulic Steering Valve	6,554
CONNECTOR, Steering Gear Oil Pressure Hose	6,673	COVER KIT, Steering Column	6,518
CONNECTOR, Transmission Control Valve	4,265	COVER KIT, Transmission Oil Pump	4,224
CONNECTOR, Transmission Oil Cooler	4,128	COVER, Oil Pump	1,723
CONNECTOR, Transmission Smog Control	4,075	COVER, Parking Brake Lever Housing	4,612
CONNECTOR, Transmission Converter	4,115	COVER, Radio Static Suppression	9,663
CONSOLE, Rear Compartment Floor	12,981	COVER, Rear Axle Housing	5,398
CONTACT, Door Electric and Vacuum Locks	10,485	COVER, Rear Compartment	15,222
CONTACT, Horn Button Blowing	2,819	COVER, Rear Compartment Floor	12,981
CONTACT, Starter Motor Switch	2,102	COVER, Roof Panel	12,810
CONTAINER, Seat Belt	14,875	COVER, Seat Adjuster	11,556
CONTAINER, Windshield Washer	10,154	COVER, Seat Belt	14,875
CONTROL, A.C. Electric Control	9,275	COVER, Shroud and Dash and Vent Duct	12,804
CONTROL, Carburetor	3,755	COVER, Spare Wheel	7,629
CONTROL, Carburetor Vacuum	3,765	COVER, Steering Column	6,518
CONTROL, Courtesy Lamp	11,935	COVER, Steering Column Housing	6,500
CONTROL, Distributor Vacuum	2,410	COVER, Steering Column Attaching	6,760
CONTROL, Door Lock Remote Control	10,500	COVER, Steering Gear Housing Side	6,807
CONTROL, Folding Top Compartment Lid	12,242	COVER, Transmission Case	4,105
CONTROL, Heater	8,849	COVER, Transmission Control Indicator	4,020
CONTROL, Heater & A.C. Control	9,273	COVER, Transmission Case	4,105
CONTROL, Heater Water Flow	8,866	COVER, Transmission Governor	4,256
CONTROLLER, Emission Control System	3,670	COVER, Transmission Oil Pan	4,197
CONTROLLER, Ignition Switch Warning, Lock or Headlamp	2,195	COVER, Transmission Oil Pump	4,224
CONTROLLER, Windshield Wiper Control	10,163	COVER, Transmission Oil Pump	4,203
CONTROL PKG. Dash Control(Group 7 460)	21,155	COVER, Transmission Rear Servo	4,241
CONTROL, Rear View Mirror	10,186	COVER, Transmission Servo & Accumulator	4,228
CONTROL, Windshield Wiper Control	10,163	COVER, Turn Signal Lamp	2,895
CONVERSION KIT, Transmission Clutch(Low & Reverse)	4,180	COVER, Turn Signal Switch	2,906
CONVERTER, Catalytic Converter	3,685	COVER, Wheel Carrier Lock	7,675
CONVERTER, Transmission Converter	4,115	COVER, Wheel Trim	5,858
COOLER, Transmission Oil	4,128	COVER, Windshield Wiper Motor	10,150
CORD, Engine Coolant Warmer	1,152	CRANKSHAFT, Engine	0,646
CORE, A.C. Compressor	9,177	CUP, Brake Main Cylinder	4,654
CORE, A.C. Evaporator	9,210	CUP, Horn Button Blowing	2,819
CORE, Heater Core	8,854	CUP, Turn Signal Switch	2,906
CORE, Suction Throttling (P.O.A.)	9,198	CUP, Wheel Brake	4,667
COUPLING, Steering Gear Shaft	6,525	CUSHION, Body to Frame Bolt	9,023
COUPLING, Tachometer	9,750	CUSHION, Bumper Energy Absorber	7,840
COVER, A.C. Compressor, (Internal Parts)(Axial)	9,172	CUSHION, Differential Carrier Mounting	5,500
COVER, A.C. Evaporator	9,211	CUSHION, Door Window	10,716
COVER, Accelerator Pedal	3,451	CUSHION, Frame Cross, Intermediate	7,012
COVER, Air Cleaner Air Intake	3,417	CUSHION KIT, Body to Frame Bolt	9,023
COVER, Air Distributor	9,262	CUSHION, Radiator	1,270
COVER, Automatic Choke Control	3,750	CUSHION, Rear Spring	7,545
COVER, Back Window Reveal Molding	11,209	CUSHION, Windshield Wiper Access	10,130
COVER, Battery Filler	2,345	CYLINDER, A.C. Compressor	9,170
COVER, Brake and Clutch Pedal	4,630	CYLINDER, Brake Master	4,650
COVER, Brake Adjusting Hole	5,117	CYLINDER, Ignition Switch	2,188
COVER, Brake Cylinder and Pedal Shaft	4,648	CYLINDER, Instrument Panel Compartment Door Lock	10,266
COVER, Brake Master Cylinder	4,651	CYLINDER KIT, Door Outside Lock	10,550
COVER, Bumper	7,832	CYLINDER KIT, Ignition Switch	2,188
COVER, Bumper Face	7,831	CYLINDER, Steering Gear Hydraulic	6,576
COVER, Carburetor (with Leather and Shaft)	3,838	CYLINDER W/SHAFT, A.C. Compressor	9,170
COVER, Carburetor Air Cleaner	3,410	CYLINDER, Wheel Brake	4,665
COVER, Carburetor Idle Air Compensator	3,820	CYLINDER, Wheel Carrier Lock	7,675
COVER, Chassis Wiring Harness	2,559		
COVER, Cruise Control	3,885	D	
COVER, Distributor Cap Retaining	2,368	DAMPER, Engine Crankshaft	0,659
COVER, Door Hinge	10,450	DECAL, Front Door	12,112
COVER, Door Inner Panel	10,355	DECAL, Front Fender and Body Ornamentation	8,132
COVER, Engine Clutch	0,859	DECAL, Hood Panel Ornamentation	8,055
COVER, Engine Clutch Plate	0,861	DECAL, Rear Quarter Ornamentation	12,116
COVER, Engine Cover Front	0,206	DECAL, Transmission Control Lever Trim	4,017
COVER, Engine Valve Rocker Arm	0,386	DEFLECTOR, Air Distributor	9,262
COVER, Exhaust Manifold Heater	3,602	DEFLECTOR, Air Outlet	9,264
COVER, Flywheel	0,679	DEFLECTOR, Bumper to Body	7,833
COVER, Folding and Hard Top	14,080	DEFLECTOR, Propeller Shaft Pinion	5,545
COVER, Front Seat Bottom Hinge	1,375	DEFLECTOR, Radiator Air	1,272
COVER, Fuel Pump Mounting	3,901	DEFLECTOR, Rear Axle Universal Joint	5,425
COVER, Generator	2,313	DESICCANT, A.C. Refrigerant	9,195
COVER, Hardtop	13,346		

ALPHABETICAL INDEX

DESICCANT KIT, A.C. Refrigerant	9.195	ESCUTCHEON, Radio	9.650
DIAL, Transmission Control Indicator	4.020	ESCUTCHEON, Rear Compartment	12.249
DIAPHRAGM, Brake Master Cylinder	4.651	ESCUTCHEON, Rear Compartment Floor	12.981
DIAPHRAGM, Carburetor Throttle	3.758	ESCUTCHEON, Rear View Mirror	10.186
DIAPHRAGM, Carburetor (with Leather and Shaft)	3.838	ESCUTCHEON, Seat Adjuster	11.558
DIAPHRAGM, Power Brake Booster(Vacuum)	4.922	ESCUTCHEON, Seat Back Locking	11.390
DIFFUSER, Carburetor Air Cleaner	3.410	ESCUTCHEON, Windshield Wiper Transmission	10.160
DIODE, Distributor	2.383	EXTENSION, Air Injection Reactor	3.675
DIODE, Generator	2.319	EXTENSION, Bumper	7.836
DISC, Concealed Headlamp Control Drive	2.750	EXTENSION, Chassis Wiring	2.480
DISC, Front and Rear Wheel Brake	5.809	EXTENSION, Door Opening Rocker	12.934
DISC, Power Brake Booster Reaction	4.934	EXTENSION, Exhaust	3.609
DISC, Windshield Wiper Motor	10.150	EXTENSION, Exhaust Tail Pipe	3.705
DISTRIBUTOR, Ignition	2.361	EXTENSION, Fender Wheelhouse	8.155
DIVERTER, Door Inner Panel	10.355	EXTENSION, Flywheel	0.679
DOOR, Carburetor Air Cleaner Controls	3.415	EXTENSION, Front Body Hinge Pillar	12.840
DOOR, Fuel Tank Filler	12.945	EXTENSION, Front Fender	8.153
DOOR, Instrument Panel Compartment	10.261	EXTENSION, Front Fender Panel	8.131
DOOR, Parking Lamp	2.593	EXTENSION, Instrument Panel	10.230
DOOR, Plenum Air	9.789	EXTENSION KIT, Transmission Rear Main	4.317
DOOR, Rear Compartment Floor	12.981	EXTENSION, Radiator	1.263
DOWEL, Engine Clutch Housing or Transmission	0.685	EXTENSION, Radiator to Grille	1.287
DOWEL, Engine Flywheel	0.669	EXTENSION, Radiator Fan	1.277
DRIVE, Starter Motor	2.086	EXTENSION, Rear Quarter	15.100
DRUM, Front and Rear Wheel Brake	5.809	EXTENSION, Roof Panel	12.810
DRUM, Transmission Clutch	4.169	EXTENSION, Steering Wheel	6.512
DUCT, Air Cleaner Air Intake	3.417	EXTENSION, Tire Valve And Cover Lock	5.875
DUCT, Air Distributor	9.262	EXTENSION, Transmission Extension	4.317
DUCT, Air Distributor	9.786	EXTENSION, Transmission Rear	4.317
DUCT, Rear Window Defogger	9.778	EXTENSION, Transmission Rear Main	4.317
DUCT, Windshield Defroster	9.779	EXTENSION, Transmission Rear Main Bearing	4.317
		EXTENSION, Windshield Wiper Access	10.130
		EXTENSION, Windshield Washer	10.154
		EYELET, Front Door Trim	14.685
		EYELET, Instrument Panel	10.230

E

ELBOW, Air Cleaner Air Intake	3.417
ELBOW, Air Injection Reactor and Exhaust Gas Recirculation	3.680
ELBOW, Crankcase	1.745
ELBOW, Engine Coolant By-Pass Hose	1.097
ELBOW, Fuel Injection	3.330
ELBOW, Fuel Line	3.163
ELBOW, Heater Motor Cool	8.859
ELBOW, Oil Pressure Gage	1.803
ELBOW, Power Brake Booster(Vacuum)	4.931
ELEMENT, Carburetor Air Cleaner	3.410
ELEMENT, Cigarette Lighter	9.709
ELEMENT, Engine Fuel	3.890
ELEMENT, Oil Filter	1.836
EMBLEM, Engine Valve Rocker Arm	0.386
EMBLEM, Floor Console	10.240
EMBLEM, Front Fender Name	8.147
EMBLEM, Fuel Tank Filler	12.945
EMBLEM, Hood Panel Ornamentation	8.055
EMBLEM, Horn Button	2.820
EMBLEM KIT, Front Fender Name	8.147
EMBLEM KIT, Radiator Grille and Front End Ornamentation	1.303
EMBLEM, License Plate	7.800
EMBLEM, Radiator Grille and Front End Ornamentation	1.303
EMBLEM, Rear Compartment Lid and Rear End Panel	12.182
EMBLEM, Wheel Cover Appearance	5.871
END, Concealed Headlamp Opening Cover	2.770
ENGINE, Engine	0.033
ENGINE, Universal	0.000
EQUALIZER, Parking Brake Cable	4.765
ESCUTCHEON, Arm Rest Ash Tray	12.048
ESCUTCHEON, Door Lock Inside Handle Escutcheon(Trim Protector)	10.515
ESCUTCHEON, Door Outside Handle	10.537
ESCUTCHEON, Door Window Regulator Handle	10.805
ESCUTCHEON, Front Seat Head Restraint	11.376
ESCUTCHEON, Ignition Switch Warning, Lock or Headlamp	2.195
ESCUTCHEON, Instrument Panel Compartment Door Lock	10.267

F

FAN, A.C. Evaporator Blower	9.216
FAN, Air Injector Reactor Pump	3.665
FAN, Engine Air Cooling(Electrical)	1.055
FAN, Engine Cooling	1.064
FAN, Generator	2.274
FAN, Heater and Defroster	8.857
FAN, Rear Window Defogger	9.778
FAN, Roof Ventilation	12.811
FASTENER, Bottom of Top Front Roof Rail to Windshield	14.060
FASTENER, Door Handle Push Button	12.195
FASTENER, Door Weatherstrip	10.695
FASTENER, Front Door Trim	14.685
FASTENER, Front Door Trim Binding Strip	14.683
FASTENER, Front Door Window	10.685
FASTENER, Hardtop	13.346
FASTENER, Instrument Panel	15.280
FASTENER, Radiator	1.270
FASTENER, Radio Mounting	9.667
FASTENER, Roof Panel	12.810
FASTENER, Windshield Garnish Molding	10.056
FELT, Air Outlet	9.264
FELT, Front Wheel Hub Bearing	6.326
FERRULE, Hardtop	13.346
FERRULE, Headlamp Switch	2.487
FERRULE, Ignition Lock	2.198
FILLER, Bumper Face	7.831
FILLER, Bumper Guard	7.828
FILLER, Front Door Window	10.685
FILLER, Windshield Upper and Lower	12.807
FILTER, Air Injection Reactor and Exhaust Gas Recirculation	3.680
FILTER, Carburetor and Fuel Meter Fuel Inlet	3.740
FILTER, Concealed Headlamp Control Drive	2.760
FILTER, Engine Fuel	3.890
FILTER, Fuel Tank Evaporator Control(Engine End)	3.130
FILTER, Fuel Tank Gage	3.110
FILTER, Instrument Cluster	9.748
FILTER KIT, Engine Fuel	3.890
FILTER, Oil Filter	1.836
FILTER, Power Brake Booster	4.913
FILTER, Tachometer	9.750

ALPHABETICAL INDEX

HOOK, Coat	15.388	INSERT, Carburetor Metering	3.806
HOOK, Rear Compartment Floor	12.981	INSERT, Concealed Headlamp Motor	2.755
HORN, Carburetor Air	3.730	INSERT, Lamp Monitor	2.584
HORN, Ignition Switch Warning, Lock or Headlamp	2.195	INSERT, Luggage Carrier	12.815
HORN, Warning	2.810	INSERT, Main Cylinder Outlet Fitting	4.861
HOSE, A.C. Refrigerant (Metal and Rubber Sections)	9.225	INSERT, Transmission Control Lever Trim	4.017
HOSE, A.C. Vacuum & Temperature	9.281	INSERT, Wheel Cover Appearance	5.871
HOSE, Air Distributor	9.786	INSERT, Windshield Wiper	10.146
HOSE, Air Injection Reactor	3.675	INSULATION, Carburetor to Manifold	3.726
HOSE, Air Outlet	3.260	INSULATION, Floor Pan	15.492
HOSE, Back Window Gutter	10.997	INSULATION, Starter Motor	2.049
HOSE, Crankcase Ventilation	1.762	INSULATOR, A.C. Expansion Refrigerant	9.213
HOSE, Engine Coolant By-Pass Hose	1.097	INSULATOR, Body to Frame Bolt	9.023
HOSE, Fuel Line	3.163	INSULATOR, Carburetor to Manifold	3.726
HOSE, Fuel Tank Filler	3.003	INSULATOR, Distributor	2.383
HOSE, Heater	8.846	INSULATOR, Door Lock	10.506
HOSE, Heater Temperature Control	8.850	INSULATOR, Exhaust Muffler	3.704
HOSE, Oil Pressure Gage	1.803	INSULATOR, Floor Pan	15.492
HOSE, Power Brake Booster(Vacuum)	4.931	INSULATOR, Floor Pan	12.980
HOSE, Radiator Inlet (upper)	1.159	INSULATOR, Fuel Tank Mounting	3.022
HOSE, Radiator Outlet (lower)	1.173	INSULATOR, Generator	2.313
HOSE, Steering Gear Oil Return	6.671	INSULATOR, Hood Panel	8.021
HOSE, Steering Gear Oil Pressure	6.670	INSULATOR, Horn Button Blowing	2.819
HOSE, Transmission Vacuum	4.205	INSULATOR, Instrument Panel	15.280
HOSE, Wheel Brake	4.680	INSULATOR, Radiator	1.270
HOSE, Windshield Defroster	9.779	INSULATOR, Rear Spring	7.545
HOUSING, A.C. Refrigerant	9.195	INSULATOR, Roof Panel	12.810
HOUSING, Air Distributor	9.786	INSULATOR, Wheel Cylinder	4.668
HOUSING, Bolt Engine Clutch	0.683	INTERLOCK, Transmission Gearshift Shaft	4.027
HOUSING, Brake Cylinder and Pedal Shaft	4.648		
HOUSING, Cigarette Lighter	9.709	J	
HOUSING, Concealed Headlamp Opening Cover	2.770		
HOUSING, Dome and Reading Lamp	11.927	JACK, auto Jack	8.820
HOUSING, Door Outside Handle	10.529	JACKET, Steering Column	6.518
HOUSING, Folding and Hard Top	14.080	JET, Carburetor Metering Rod, with Gasket	3.792
HOUSING, Front Door Wedge	10.584		
HOUSING, Front Door Window Regulator	10.783	K	
HOUSING, Heater Control	8.852		
HOUSING, Ignition Distributor	2.382	KEY, A.C. Compressor Clutch Actuating	9.188
HOUSING, Instrument Cluster Warning	9.765	KEY, Door Outside Lock	10.550
HOUSING KIT, Radio Antenna	9.647	KEY, Engine Valve Spring	0.310
HOUSING KIT, Steering Column	3.518	KEY, Hydraulic Steering Adapter	6.560
HOUSING KIT, Steering Column	6.514	KEY, Ignition and Locks	2.187
HOUSING KIT, Transmission Clutch	4.169	KEY, Speedometer Adapter	4.330
HOUSING, Outside Air	9.787	KEY, Speedometer Drive Adapter	4.330
HOUSING, Parking, Turn Sign. and Cornering Lamp	2.586	KEY, Transmission Speedometer Drive	4.330
HOUSING, Radiator Grille	1.266	KEY, Transmission Synchronizing	4.384
HOUSING, Radio Antenna	9.647	KEY, Transmission Synchronizer	4.384
HOUSING, Radio Auxiliary Speakers	9.665	KIT, A.C. Refrigerant	9.195
HOUSING, Roof Panel	12.810	KIT, Brake Shoe Adjusting	5.110
HOUSING, Speedometer to Instrument Panel(Domestic)	9.761	KIT, Engine Tune-up	2.270
HOUSING, Starter Motor Drive	2.085	KIT, Steering Gear Repair	6.507
HOUSING, Steering Column	6.518	KNOB, Clock	9.772
HOUSING, Steering Gear	6.803	KNOB, Door Inside Locking Rod	10.559
HOUSING, Steering Pump	6.608	KNOB, Door Lock Inside	10.512
HOUSING, Tail Lamp	2.680	KNOB, Door Lock Inside Handle	
HOUSING, Temperature Control	8.858	Escutcheon(Trim Protector)	10.515
HOUSING, Transmission Control Lever	4.010	KNOB, Front Door Vent Regulator	10.664
HOUSING, Transmission Input	4.158	KNOB, Front Seat Manual Adjuster	11.588
HOUSING, Transmission Servo & Accumulator	4.228	KNOB, Heater Control	8.852
HOUSING, Transmission Clutch	4.169	KNOB KIT, Clock	9.772
HOUSING, Transmission Control Lever	4.010	KNOB, Outside Air	9.787
HOUSING, Wheel Brake	4.665	KNOB, Radio Control	9.649
HUB, Front and Rear Wheel Brake	5.809	KNOB, Rear Window Defogger	9.778
HUB, Front Wheel	6.307	KNOB, Seat Back Locking	11.390
HUB, Steering Wheel	6.512	KNOB, Side Marker and Hazard Flasher	2.575
HUB, Transmission Clutch	4.164	KNOB, Speedometer to Instrument Panel(Domestic)	9.761
HUB, Wheel Cover Appearance	5.871	KNOB, Transmission Control Lever	4.006
		KNOB, Transmission Control	4.006
		KNOB, Transmission Gearshift Control (Hand)	4.006
INDICATOR, Oil Level	1.516	KNOB, Turn Signal Control	2.897
INDICATOR, Transmission Control Indicator	4.020	KNOB, Windshield Washer and Wiper Control	10.164
INDICATOR, Transmission Oil Filler	4.133	KNUCKLE, Steering	6.020
INLET, A.C. Refrigerant	9.195		
INSERT, Brake Hose	4.671		
INSERT, Carburetor Float	3.734		

ALPHABETICAL INDEX

L

LABEL, Fuel Tank Filler	12 945
LABEL, Fuel Tank Filler	3 028
LAMP, Back Up Lamp	2 697
LAMP, Luggage Compartment	9 988
LAMP, Parking, Turn Signal and Cornering	2 585
LAMP PKG, Fog(Group 2 727)	21 270
LAMP, Rear License Lamp	2 700
LAMP, Side Marker and Hazard Flasher	2 575
LAMP, Tail lamp	2 679
LAMP, Underhood	8 890
LATCH, Rear Compartment	12 247
LEAD, Distributor	2 400
LEAD, Starter Motor Brush Ground	2 055
LENS, A.C. Control	9 279
LENS, Back Up Lamp	2 697
LENS, Courtesy Dome and Reading Lamp	11 928
LENS, Instrument Cluster	9 748
LENS, Instrument Panel Compartment Lamp	10 275
LENS, Lamp Monitor	2 583
LENS, Parking, T/Signal or Cornering Lamp	2 589
LENS, Rear License Lamp	2 709
LENS, Sunshade Vanity Mirror	10 195
LENS, Tail Lamp	2 682
LENS, Transmission Control Indicator	4 020
LETTER KIT, Hood Panel Ornamentation	8 055
LETTER KIT, Rear Compartment Lid and Rear End Panel	12 182
LEVEL INDICATOR, Windshield Washer	10 154
LEVER, A.C. Control	9 278
LEVER, Accelerator Pedal Lever	3 454
LEVER, Brake Shoe Automatic Adjusting	5 103
LEVER, Carburetor and Fuel Injection Choke	3 752
LEVER, Carburetor and Fuel Injection Fast Idle	3 766
LEVER, Carburetor Power	3 858
LEVER, Carburetor Pump	3 842
LEVER, Cruise Control	3 883
LEVER, Door Lock	10 506
LEVER, Engine Clutch Control	0 852
LEVER, Folding Top	14 340
LEVER, Ignition Switch Warning, Lock or Headlamp	2 195
LEVER KIT, Parking Brake	5 149
LEVER, Parking Brake	5 149
LEVER, Parking Brake Apply	4 591
LEVER, Side Marker and Hazard Flasher	2 575
LEVER, Starter Motor Drive Shift	2 108
LEVER, Steering Column Housing	6 500
LEVER, Steering Column	6 514
LEVER, Steering Idler	6 895
LEVER, Transmission Control Lever	4 010
LEVER, Transmission Control Lever	4 006
LEVER, Transmission Control	4 045
LEVER, Transmission Control Lever	4 006
LEVER, Transmission Detent	4 279
LEVER, Transmission Gearshift	4 045
LEVER, Transmission Gearshift Shaft	4 030
LEVER, Transmission Manual Valve	4 218
LEVER, Transmission Shift Control	4 030
LEVER, Transmission Shift Control	4 004
LEVER, Transmission Throttle Valve	4 278
LEVER, Transmission Throttle Valve	4 275
LEVER, Turn Signal Control	2 897
LEVER, Turn Signal Lamp	2 895
LIFTER, Engine Valve	0 459
LIMITER, Carburetor and Fuel Injection Idle Adjusting Screw	3 823
LINER, Door Inner Panel	10 355
LINER, Front Door Trim	14 685
LINER, Rear Leaf Spring	7 495
LINK, Air Distributor	9 786
LINK, Brake Shoe Automatic Adjusting Lever	5 105
LINK, Carburetor	3 755
LINK, Concealed Headlamp Control Opening Cover	2 765
LINK, Cruise Control	3 885
LINK, Stabilizer	7 240
LINK, Transmission Control Indicator	4 020
LINK, Transmission Detent	4 279
LINK, Transmission Throttle Valve	4 275
LINK, Wheel Cylinder to Brake Shoe Thrust	4 675
LITTER PKG, Container & Tissue(Group 8 891)	21 320

LOCK, Air Injection Reactor and Exhaust Gas Recirculation	3 580
LOCK, Air Injection Reactor	3 675
LOCK, Back Window Glass	11 207
LOCK CYL KIT, Rear Compartment	12 248
LOCK, Emission Control System	3 671
LOCK, Exhaust Manifold End Bolt	3 604
LOCK, Exhaust System Attaching	3 708
LOCK, Folding and Hard Top	14 080
LOCK, Folding Top Compartment Lid	12 242
LOCK, Front Door	10 470
LOCK, Ignition Switch	2 188
LOCK KIT, Steering Column Housing	6 500
LOCK, Rear Axle U Joint	5 428
LOCK, Rear Compartment Lid	12 242A
LOCK, Roof Panel	12 810
LOCK, Seat Back Locking	11 390
LOCK, Steering Column Housing	6 500
LOCK, Transmission Control Idler	4 042
LOCK, Transmission Main Drive Gear Bearing	4 356
LOGIC, Body Harness	13 095
LOUVER, Front Fender Name	8 147
LUBRICATOR KIT, Distributor	2 364

M

MAGNET KIT, Radio Antenna	9 647
MAGNET KIT, Transmission Case	4 105
MAGNET, Windshield Wiper Motor	10 150
MANIFOLD, Engine Exhaust Manifold	3 601
MANIFOLD, Engine Fuel Intake Manifold	3 265
MAT, Front Floor	15 286
MAT, Instrument Panel	15 280
MAT, Rear Compartment	15 222
MEMBER, Bumper Face	7 831
MEMBER, Frame Cross, Intermediate	7 012
MEMBER KIT, Front Frame Cross	7 010
MEMBER, Rear Frame Cross	7 014
MEMBER, Transmission Support	7 011
MEMBER, Transmission Mounting	4 081
METER, Fuel Tank Meter	3 107
MICROPHONE, Radio	9 650
MIRROR, Inside and Outside Rear View	10 185
MIRROR PKG, Visor Vanity(Group 10 195)	21 440
MIRROR, Sunshade Vanity Mirror	10 195
MODULATOR KIT, Transmission Vacuum	4 205
MODULATOR, Transmission Vacuum	4 205
MODULATOR, Transmission Vacuum	4 205
MODULE, Chassis Wiring	2 480
MODULE, Distributor	2 383
MODULE, Emission Control System	3 670
MODULE, Instrument Cluster Warning	9 765
MOLDING, Back Window Garnish	11 120
MOLDING, Back Window Reveal	11 208
MOLDING, Exhaust Manifold Heater	3 602
MOLDING, Front Door	12 112
MOLDING, Front Door Window Reveal	10 707
MOLDING, Front Fender and Body Ornamentation	8 132
MOLDING, Headlamp	2 728
MOLDING, Instrument Panel Trim	10 252
MOLDING KIT, Hood Panel	8 015
MOLDING PKG, Front Fender and Body Side(Group 8 132)	21 450
MOLDING, Radiator Grille	1 268
MOLDING, Rear Compartment Floor	12 981
MOLDING, Rear Quarter Ornamentation	12 116
MOLDING, Rocker Panel	8 304
MOLDING, Roof Drip	12 075
MOLDING, Roof Panel	12 810
MOLDING, Windshield Garnish Molding	10 051
MOLDING, Windshield Reveal Molding	10 093
MOTOR, A.C. Evaporator Blower	9 215
MOTOR, Carburetor Air Cleaner Controls	3 415
MOTOR, Concealed Headlamp Control Drive	2 760
MOTOR, Engine Air Cooling(Electrical)	1 055
MOTOR, Front Door Window Regulator	10 783
MOTOR, Heater Blower Motor	8 855
MOTOR, Radio Antenna	9 647
MOTOR, Rear Window Defogger	9 778
MOTOR, Seat Adjuster	11 556

ALPHABETICAL INDEX

MOTOR, Starter	2 041
MOTOR, Windshield Wiper Motor	10 150
MOUNTING, Engine	0 027
MOUNTING, Transmission Mounting	4 081
MOUNT, Transmission Mounting	4 081
MOUNT, Transmission Mounting	4 081

N

NECK, Fuel Tank Filler	3 003
NEEDLE, Carburetor and Fuel Injection Idle Adjusting	3 822
NEEDLE KIT, Carburetor and Fuel Meter Intake (with Seat and Gasket)	3 814
NIPPLE, Crankcase	1 745
NIPPLE, Fuel Tank Filler	3 003
NIPPLE, Heater Water Flow	8 866
NIPPLE, Spark Plug Wire	2 258
NOZZLE, Carburetor	3 774
NOZZLE, Fuel Injector Metering	3 332
NOZZLE, Windshield Washer	10 156
NUMERAL, Hood Panel Ornamentation	8 055
NUT, A.C. Compressor Pulley	9 181
NUT, A.C. Electric Control	9 275
NUT, Air Injection Reactor Pump	3 655
NUT, Body Moldings	12 118
NUT, Body Rear End(Plastic Laminated)	12 986
NUT, Bumper to Body	7 833
NUT, Bumper Face	7 831
NUT, Carburetor and Fuel Meter Intake (with Seat and Gasket)	3 814
NUT, Carburetor and Fuel Meter Fuel Inlet	3 740
NUT, Carburetor Air Cleaner and Silencer	3 403
NUT, Chassis Wiring Harness	2 559
NUT, Clock	9 772
NUT, Clutch Release Lever	0 873
NUT, Crankcase	1 745
NUT, Distributor	2 383
NUT, Door Lock	10 474
NUT, Door Outside Handle	10 527
NUT, Door Window	10 716
NUT, Door Window Regulator	10 792
NUT, Emission Control System	3 671
NUT, Engine Air Cooling(Electrical)	1 055
NUT, Engine Connecting Rod Bolt	0 626
NUT, Engine Mounting	0 002
NUT, Engine Valve Adjusting	0 429
NUT, Exhaust Muffler	3 704
NUT, Exhaust Pipe	3 613
NUT, Exhaust Pipe	3 616
NUT, Front Door Trim Finish	14 691
NUT, Front Door Window	10 685
NUT, Front Fender Name	8 147
NUT, Fuel Tank Filler	12 945
NUT, Generator Rotor Shaft	2 280
NUT, Hardtop	13 346
NUT, Headlamp Mounting	2 729
NUT, Headlamp Retaining Ring	2 736
NUT, Headlamp Switch	2 487
NUT, Heater and Defroster	8 857
NUT, Hood Panel Closing	8 024
NUT, Hub Front and Rear	5 813
NUT, Hydraulic Steering Cylinder	6 575
NUT, Ignition Lock	2 198
NUT, Instrument Cluster	9 743
NUT, Instrument Panel Compartment Door	10 262
NUT KIT, A.C. Compressor	9 170
NUT, License Plate	7 800
NUT, Luggage Carrier	12 815
NUT, Luggage Compartment	9 988
NUT, Propeller Shaft Pinion Flange	5 595
NUT, Radiator	1 270
NUT, Radiator Baffle and Shroud	1 276
NUT, Radiator Grille	1 269
NUT, Radiator Grille and Front End Panel	1 267
NUT, Radiator Grille and Front End Ornamentation	1 303
NUT, Radio Antenna	9 647
NUT, Radio Mounting	9 667
NUT, Radio Static Suppression	9 663
NUT, Rear Axle	5 829

NUT, Rear Axle Control Arm	5 383
NUT, Rear Compartment Floor	12 981
NU, Rear Compartment Lid and End Gate	12 184
NUT, Rear Compartment Lid Lock	12 237
NUT, Rear Spring and Axle	7 529
NUT, Rear Spring and Shock Absorber Anchor Plate	7 516
NUT, Rear View Mirror	10 186
NUT, Rear Window Defogger	9 778
NUT, Rocker Panel Molding	8 309
NUT, Roof	12 952
NUT, Roof Panel	12 812
NUT, Roof Panel	12 810
NUT, Shock Absorber	7 347
NUT, Shock Absorber Anchor	7 395
NUT, Side Marker and Hazard Flasher	2 575
NUT, Spare Wheel Carrier	7 633
NUT, Speedometer to Instrument Panel(Domestic)	9 761
NUT, Stabilizer Link	7 245
NUT, Starter Solenoid	2 104
NUT, Steering Column Attaching	6 760
NUT, Steering Gear Housing	6 832
NUT, Steering Gear Shaft	6 525
NUT, Steering Knuckle Spindle	6 022
NUT, Steering Knuckle Lower Control Arm	6 172
NUT, Steering Pitman Arm	6 861
NUT, Steering Pump	6 655
NUT, Steering Relay & Tie Rod	6 104
NUT, Tail Lamp	2 660
NUT, Transmission Band Adjusting	4 253
NUT, Transmission Control Indicator	4 022
NUT, Transmission Control Rod	4 037
NUT, Transmission Control Rod To Lever	4 037
NUT, Transmission Gearshift Rod	4 037
NUT, Transmission Main Drive Gear Bearing	4 356
NUT, Transmission Throttle Valve	4 275
NUT, Underhood	8 890
NUT, Upper Control Arm Shaft	6 164
NUT, Windshield Wiper Motor Drive	10 151
NUT, Windshield Wiper Access	10 130

O

O-RING, A.C. Compressor Pressure Relief	9 178
OIL, A.C. Maintenance	9 282
ORIFICE, A.C. Expansion Refrigerant	9 213
O RING, A.C. Compressor (Internal parts)(Radial)	9 172A
O RING, A.C. Compressor (Internal Parts)(Axial)	9 172
O RING, A.C. Refrigerant	9 196
O RING KIT, A.C. Compressor	9 170
O RING, Power Brake Booster(Vacuum)	4 924
O RING, Rear Axle Shaft Bearing or Hub	5 822
O RING, Suction Throttling (P O A)	9 158
O RING, Turn Signal Lamp	2 895
ORNAMENT, Hood Panel Ornamentation	8 055
ORNAMENT, Parking, Turn Signal and Cornering Lamp	2 586
ORNAMENT, Wheel Cover Appearance	5 871
OUTLET, Air Distributor	9 262
OUTLET, Engine Coolant	1 153
OVERHAUL KIT, Transmission Overhaul	4 005

P

PACKING, Exhaust Pipe	3 611
PAD, Brake and Clutch Pedal	4 630
PAD, Door	10 587
PAD, Front Seat Back	14 802
PAD, Instrument Panel	14 655
PAD, Steering Column Housing	6 500
PAN, Engine Oil	1 426
PANEL, Air Distributor	9 262
PANEL, Back Window Inner	12 964
PANEL, Body Rear End(Plastic Laminated)	12 986
PANEL, Cowl Top Vent Louver	12 800
PANEL, Door Opening Rocker	12 934
PANEL, Folding Top Front Roof	14 050

ALPHABETICAL INDEX

PANEL, Front Door	10 351	PIN, Transmission Reverse Idler Gear	4 435
PANEL, Front Door Trim	14 685	PIN, Transmission Reverse Idler Shaft	4 435
PANEL, Front Fender	8 130	PIN, Transmission Servo & Accumulator	4 228
PANEL, Front Seat Back Trim	11 358	PIN, Transmission Servo & Accumulator	4 229
PANEL, Instrument Panel	10 230	PIN, Transmission Shift Shaft Detent	4 311
PANEL, Panel	6 000	PIN, Transmission Shift Control Cable	4 047
PANEL, Plenum Air	9 789	PIN, Transmission Throttle Valve	4 275
PANEL, Radiator	1 263	PIPE, Air Cleaner Air Intake	3 417
PANEL, Radio Auxiliary Speakers	9 665	PIPE, Air Injection Reactor	3 675
PANEL, Rear Body Lock Pillar	12 942	PIPE, Automatic Choke Control	3 750
PANEL, Rear Compartment	15 222	PIPE, Carburetor and Fuel Meter Fuel Inlet	3 740
PANEL, Rear Compartment Floor	12 981	PIPE, Choke Heater or Air	3 603
PANEL, Rear Compartment Lid and Rear End Panel	12 182	PIPE, Crankcase Ventilation	1 762
PANEL, Rear End	12 966	PIPE, Early Fuel Evaporation	3 145
PANEL, Rear Quarter	15 100	PIPE, Exhaust Manifold Heat	3 647
PANEL, Rear Quarter Side Outer	12 940	PIPE, Fuel Line	3 163
PANEL, Rear Quarter Trim Pad	15 101	PIPE, Heater	8 846
PANEL, Rear Quarter Upper (Above Belt)	14 645	PIPE, Oil Pressure Gage	1 803
PANEL, Roof Panel	12 810	PIPE, Steering Gear Oil Pressure	6 670
PANEL, Roof Trim Headlining	14 640	PIPE, Transmission Case	4 104
PANEL, Shroud and Dash and Vent Duct	12 904	PIPE, Transmission Oil Pan	4 197
PANEL, Tail Lamp	2 680	PIPE, Transmission Oil	4 24P
PANEL, Windshield Wiper Access	10 130	PIPE, Transmission Oil Cooler	4 128
PAN KIT, Engine Oil	1 426	PIPE, Transmission Vacuum	4 205
PAN, Transmission Oil	4 195	PISTON, A C Compressor (Internal Parts)(Axial)	9 172
PAWL, Door Outside Lock Cylinder	10 551	PISTON, Brake Master Cylinder Secondary	4 653
PAWL KIT, Windshield Washer Pump	10 153	PISTON, Carburetor Power	3 858
PAWL, Transmission Park Lock	4 220	PISTON, Engine	0 629
PAWL, Transmission Parking Brake	4 294	PISTON KIT, Power Brake Booster(Vacuum)	4 922
PAWL, Windshield Wiper Motor Drive	10 151	PISTON KIT, Transmission Clutch	4 166
PEDAL, Accelerator Pedal	3 451	PISTON, Power Brake Booster(Vacuum)	4 922
PEDAL, Brake Pedal	4 625	PISTON, Suction Throttling (P O A)	9 198
PEDAL, Engine Clutch Pedal	0 830	PISTON, Transmission Clutch	4 166
PILLAR, Front Body Hinge Pillar	12 840	PISTON, Transmission Low Servo	4 228
PILLAR, Rear Body Lock Pillar	12 942	PISTON, Transmission Clutch	4 166
PILTER, Engine Fuel	3 890	PISTON, Transmission Servo & Accumulator	4 228
PIN, A C Compressor Pressure Relief	9 178	PISTON, Transmission Rear Servo	4 241
PIN, Accelerator Pedal Mounting	3 452	PISTON, Wheel Cylinder	4 668
PIN, Brake Shoe Anchor	5 055	PISTON, Windshield Washer Pump	10 153
PIN, Brake Shoe Hold Down	5 043	PIVOT, Brake Shoe Automatic Adjusting	5 103
PIN, Carburetor and Fuel Meter Float Lever	3 747	PIVOT, Concealed Headlamp Control Opening Cover	2 765
PIN, Clutch Fork Push Rod Adj	0 793	PIVOT, Headlamp Dimmer	2 459
PIN, Clutch Release Lever	0 875	PIVOT KIT, Headlamp Dimmer	2 459
PIN, Concealed Headlamp Control Opening Cover	2 765	PLASTIGAGE, Engine Main Bearing Clearance	0 093
PIN, Distributor Shaft Thrust and Gear	2 379	PLATE, A C Compressor (Internal Parts)(Axial)	9 172
PIN, Door Hinge	10 466	PLATE, A C Compressor (Internal parts)(Radial)	9 172A
PIN, Door Inside Locking Rod	10 565	PLATE, A C Control	9 279
PIN, Engine Cylinder Head	0 293	PLATE, Accelerator Pedal	3 451
PIN, Folding Top Hard Top	14 080	PLATE, Air Cleaner Air Intake	3 417
PIN, Folding Top Actuator	14 478	PLATE, Air Distributor	9 262
PIN, Front Door Wedge	10 584	PLATE, Air Distributor	9 786
PIN, Front Door Window Regulator	10 783	PLATE, Automatic Choke Control	3 750
PIN, Fuel Injection Distributor	3 340	PLATE, Brake and Clutch Pedal	4 630
PIN, Fuel Tank Filler	12 945	PLATE, Brake Flange	5 001
PIN, Headlamp Dimmer	2 459	PLATE, Brake Shoe Guide	5 045
PIN, Hood Latch	8 080	PLATE, Bumper	7 836
PIN, Hood Latch Release Cable	8 077	PLATE, Clutch Pedal Pull Back Spring	0 846
PINION KIT, Transmission Output Shaft or Carrier	4 175	PLATE, Differential Clutch	5 511
PIN, King	6 203	PLATE, Distributor Breaker	2 385
PIN KIT, Brake Shoe Hold Down	5 043	PLATE, Dome and Reading Lamp	11 927
PIN KIT, King	6 203	PLATE, Door Lock	10 571
PIN, Master Cylinder Adjusting	4 662	PLATE, Door Lock Inside Handle Escutcheon(Trim Protector)	10 515
PIN, Oil Pump	1 639	PLATE, Door Window Regulator Handle	10 805
PIN, Plenum Air	9 789	PLATE, Door Window Regulator	10 792
PIN, Rear Spring and Axle	7 529	PLATE, Engine Clutch	0 859
PIN, Roof Panel	12 810	PLATE, Engine Clutch Driven	0 886
PIN, Starter Motor Brush	2 052	PLATE, Engine Clutch Pressure	0 863
PIN, Starter Motor Drive Shift	2 108	PLATE, Floor Pan	12 980
PIN, Steering Column	6 514	PLATE, Folding Top Compartment	12 170
PIN, Steering Pump	6 608	PLATE, Folding Top Roof Rail	14 090
PIN, Transmission Converter	4 115	PLATE, Front Body Hinge Pillar	12 840
PIN, Transmission Control Valve	4 265	PLATE, Front Door Sill	11 175
PIN, Transmission Control	4 008	PLATE, Front Fender and Body Ornamentation	8 132
PIN, Transmission Control Lever	4 008	PLATE, Front Fender Name	8 147
PIN, Transmission Gearshift	4 307	PLATE, Front Seat Back	11 373
PIN, Transmission Governor	4 256	PLATE, Fuel Pump Mounting	3 901
PIN, Transmission Oil Pump	4 226	PLATE, Generator Drive End	2 307
PIN, Transmission Oil Pump	4 203	PLATE, Headlamp Dimmer	2 459
PIN, Transmission Pressure Regulator and Oil Pump	4 216	PLATE, Heater	8 845
PIN, Transmission Rear Servo	4 241	PLATE, Heater	8 849
		PLATE, Heater and Defroster	8 857
		PLATE, Hood Latch	8 083

ALPHABETICAL INDEX

REINFORCEMENT, Frame Front Cross Member	7 039	RETAINER, Carburetor and Fuel Injection Choke	3 752
REINFORCEMENT, Front Fender	8 141	RETAINER, Carburetor Pump Outlet Valve	3 825
REINFORCEMENT, Front Body Hinge Pillar	12 840	RETAINER, Cigarette Lighter	9 709
REINFORCEMENT, Hood Latch	8 080	RETAINER, Clutch and Brake Pedal Shaft	0 837
REINFORCEMENT, Hydraulic Steering Cylinder	6 575	RETAINER, Concealed Headlamp Control Drive	2 760
REINFORCEMENT, Instrument Panel	10 230	RETAINER, Cowl Ledge	12 801
REINFORCEMENT, Radiator	1 263	RETAINER, Cruise Control	3 885
REINFORCEMENT, Radiator to Grille	1 287	RETAINER, Cylinder Poppet	4 942
REINFORCEMENT, Radio Antenna	9 647	RETAINER, Differential Clutch	5 511
REINFORCEMENT, Rear Compartment Floor	12 981	RETAINER, Distributor	2 372
REINFORCEMENT, Rear Compartment Lid and End Gate	12 184	RETAINER, Distributor	2 364
REINFORCEMENT, Roof Panel	12 810	RETAINER, Door Lock Cylinder	10 553
REINFORCEMENT, Seat Belt	14 875	RETAINER, Door Outside Lock Cylinder	10 551
REINFORCEMENT, Shroud and Dash and Vent Duct	12 804	RETAINER, Door Window Regulator Handle	10 806
REINFORCEMENT, Steering Column	6 521	RETAINER, Engine Piston Pin	0 639
REINFORCEMENT, Tail Lamp Mounting	2 662	RETAINER, Exhaust Muffler	3 704
REINFORCEMENT, Windshield Wiper		RETAINER, Exhaust Pipe	3 616
Transmission	10 160	RETAINER, Fender Wheelhouse	8 155
REINFORCEMENT, Windshield Wiper Access	10 130	RETAINER, Floor Pan	12 980
REINFORCEMENT, Windshield Wiper Motor	10 152	RETAINER, Front Door Trim Binding Strip	14 683
RELAY, A.C. Electrical	9 277	RETAINER, Front Fender Molding	8 133
RELAY, Automatic Choke Control	3 750	RETAINER, Front Fender Name	8 147
RELAY, Body Harness	13 095	RETAINER, Front Fender	8 141
RELAY, Carburetor Air Cleaner Controls	3 415	RETAINER, Front Seat Bottom Hinge	11 375
RELAY, Carburetor Idle	3 440	RETAINER, Front Wheel Hub Grease	6 330
RELAY, Concealed Headlamp Motor	2 755	RETAINER, Fuel Pipe	3 162
RELAY, Emission Control System	3 670	RETAINER, Fuel Tank Evaporator Control(Engine End)	3 130
RELAY, Engine and Transmission Controlled Spark	2 408	RETAINER, Headlamp Control	2 775
RELAY, Engine Fuel Pump	3 900	RETAINER, Hood Latch	8 085
RELAY, Horn	2 015	RETAINER, Hood Latch Release Cable	8 077
RELAY, Ignition Switch Warning, Lock or Headlamp	2 195	RETAINER, Hood Panel	8 021
RELAY, Radio Antenna	9 647	RETAINER, Horn Button Blowing	2 819
RELAY, Rear Window Defogger	9 778	RETAINER, Horn Button	2 820
RELAY, Transmission Control Spark	4 075	RETAINER, Ignition Switch Warning, Lock or Headlamp	2 195
RELAY, Transmission Smog Control	4 075	RETAINER, Instrument Panel	10 230
RELAY, Windshield Wiper Motor	10 150	RETAINER, Instrument Panel Trim	10 252
REPAIR KIT, carburetor (rochester)MAJOR	3 725A	RETAINER, Instrument Panel Compartment Door Lock	10 267
REPAIR KIT, Brake Master Cylinder	4 649	RETAINER, Instrument Panel Ash Tray	12 009
REPAIR KIT, Carburetor (Rochester) Minor	3 725B	RETAINER, Instrument Cluster Lens	9 747
REPAIR KIT, Carburetor (Holly) Minor	3 725G	RETAINER, Instrument Cluster	9 743
REPAIR KIT, Carburetor (holly) major	3 725F	RETAINER, Luggage Carrier	12 815
REPAIR KIT, Catalytic Converter	3 685	RETAINER, Master Cylinder Adjusting	4 662
REPAIR KIT, Chassis Electrical	2 530	RETAINER, Oil Pressure Regulator	1 609
REPAIR KIT, Power Brake Booster(Vacuum)	4 898	RETAINER, Oil Pump	1 639
REPAIR KIT, Propeller Shaft Universal Joint	5 548	RETAINER, Outside Air	9 787
REPAIR KIT, Rear Axle Universal Joint	5 425	RETAINER, Parking Brake Lever	5 158
REPAIR KIT, Refrigerant Flow Sight	9 202	RETAINER, Parking Brake Lever Housing	4 612
REPAIR KIT, Steering Gear Hydraulic Valve	6 551	RETAINER, Parking Brake Cable	4 765
REPAIR KIT, Wheel Brake	4 665	RETAINER, Parking Brake Cable	4 785
REPAIR KIT, Wheel Brake	4 667	RETAINER, Power Brake Booster	4 910
RESERVOIR, Engine Coolant Recovery	1 240	RETAINER, Power Brake Booster(Vacuum)	4 922
RESERVOIR KIT, Steering Pump	6 635	RETAINER, Power Brake Booster(Hydraulic)	4 810
RESERVOIR, Steering Pump	6 635	RETAINER, Power Brake Booster	4 913
RESERVOIR, Windshield Washer	10 154	RETAINER, Propeller Shaft Universal Joint Trunnion	5 560
RESISTOR, A.C. Electric Control	9 275	RETAINER, Radiator	1 270
RESISTOR, Distributor	2 363	RETAINER, Radio Mounting	9 667
RESISTOR, Generator	2 319	RETAINER, Rear Axle Control Arm	5 381
RESISTOR, Heater Blower Motor	8 855	RETAINER, Rear Axle U Joint	5 428
RESISTOR, Ignition Coil	2 173	RETAINER, Rear Compartment Floor	12 981
RESTRICTOR, Fuel Line	3 163	RETAINER, Rear Compartment Lid or Tailgate Decoration	12 183
RETAINER, auto Jack	8 820	RETAINER, Rear Compartment	12 249
RETAINER, A.C. Compressor Shaft	9 175	RETAINER, Rear Hatch Window	12 180
RETAINER, A.C. Compressor (Internal Parts)(Axial)	9 172	RETAINER, Rear Hatch Window	12 187
RETAINER, Accelerator Pedal Lever	3 454	RETAINER, Rear Quarter	15 100
RETAINER, Air Duct	9 782	RETAINER, Rear Spring	7 545
RETAINER, Air Outlet	9 264	RETAINER, Rear Spring and Axle	7 529
RETAINER, Automatic Choke Control	3 750	RETAINER, Rear View Mirror	10 186
RETAINER, Battery Hold Down	2 335	RETAINER, Rocker Panel Molding	8 309
RETAINER, Brake Pedal	4 634	RETAINER, Roof Panel	12 810
RETAINER, Bumper	7 832	RETAINER, Seat Belt	14 875
RETAINER, Bumper to Body	7 833	RETAINER, Shock Absorber	7 389
RETAINER, Bumper Energy Absorber	7 840	RETAINER, Spark Plug Wire	2 251
RETAINER, Bumper Face	7 831	RETAINER, Speedometer Driven Gear	4 338
RETAINER, Bumper Mounting	7 865	RETAINER, Stabilizer Link	7 245
RETAINER, Bumper Mounting	7 874	RETAINER, Stabilizer Shaft	7 242
RETAINER, Carburetor Air Cleaner	3 410	RETAINER, Steering Column	6 514
RETAINER, Carburetor Air Cleaner Controls	3 415	RETAINER, Steering Column Housing	6 500
RETAINER, Carburetor Throttle Control	3 425	RETAINER, Steering Column	6 521
RETAINER, Carburetor Pump	3 841	RETAINER, Steering Gear Shaft	6 525

ALPHABETICAL INDEX

RETAINER, Steering Gear Hydraulic Valve	6 552	RING, Transmission Governor	4 256
RETAINER, Steering Knuckle Lower Control Arm	6 170	RING, Transmission Housing	4 162
RETAINER, Steering Knuckle Upper Control Arm	6 163	RING, Transmission Input and Turbine Shaft	4 123
RETAINER, Steering Wheel	6 515	RING, Transmission Low Servo	4 228
RETAINER, Tail Lamp	2 660	RING, Transmission Mainshaft	4 172
RETAINER, Transmission Clutch	4 164	RING, Transmission Main Drive Gear Bearing Retainer	4 376
RETAINER, Transmission Parking Brake	4 290	RING, Transmission Oil Pump	4 226
RETAINER, Transmission	4 115	RING, Transmission Oil Pump	4 224
RETAINER, Transmission Oil Pump	4 226	RING, Transmission Output Shaft or Carrier	4 176
RETAINER, Transmission Vacuum	4 205	RING, Transmission Output Shaft or Carrier	4 175
RETAINER, Transmission Clutch	4 167	RING, Transmission Pressure Regulator and Oil Pump	4 216
RETAINER, Transmission Throttle Valve	4 275	RING, Transmission Reverse Servo	4 241
RETAINER, Transmission Governor	4 256	RING, Transmission Rear Internal Gear	4 187
RETAINER, Transmission Rear Main	4 317	RING, Transmission Rear Servo	4 242
RETAINER, Transmission Input and Turbine Shaft	4 123	RING, Transmission Rear Bearing and Mainshaft	4 412
RETAINER, Transmission Main Drive Gear Bearing	4 356	RING, Transmission Reverse Idler Gear	4 435
RETAINER, Transmission Control Lock Cable	4 070	RING, Transmission Servo & Accumulator	4 229
RETAINER, Transmission Control Lock Cable	4 070	RING, Transmission Servo & Accumulator	4 228
RETAINER, Transmission Synchronizing	4 383	RING, Transmission Shift Control Shaft	4 027
RETAINER, Transmission Control Indicator	4 022	RING, Transmission Shift Control Lever	4 027
RETAINER, Transmission Control Lock Cable	4 070	RING, Transmission Synchronizer	4 384
RETAINER, Transmission Control Lever	4 015	RING, Transmission Synchronizing	4 384
RETAINER, Transmission Shift Control Shaft	4 027	RING, Transmission Synchronizer	4 383
RETAINER, Transmission Main Drive Gear Bearing	4 356	RING, Transmission Synchronizing	4 383
RETAINER, Transmission Control Indicator	4 020	RING, Universal Joint Bearing and Flange	5 586
RETAINER, Transmission Gearshift Shaft	4 027	RING, Wheel Cover Appearance	5 871
RETAINER, Transmission Converter	4 115	RING, Wheel Cylinder	4 666
RETAINER, Transmission Control Switch	4 060	RING, Windshield Washer Pump	10 153
RETAINER, Transmission Control Rod To Lever	4 037	RING, Windshield Wiper Motor Drive	10 151
RETAINER, Transmission Clutch(Low & Reverse)	4 180	RIVET, Bumper Energy Absorber	7 840
RETAINER, Transmission Servo & Accumulator	4 233	RIVET, Door Ventilator	10 669
RETAINER, Transmission Clutch	4 169	RIVET, Rear Compartment Floor	12 981
RETAINER, Transmission Output Shaft or Carrier	4 176	RIVET, Transmission Pressure Regulator and Oil Pump	4 216
RETAINER, Transmission Low Servo	4 228	RIVET, Windshield Wiper Access	10 130
RETAINER, Transmission Control Lock Cable	4 070	ROD, Accelerator Pedal	3 431
RETAINER, Transmission Servo & Accumulator	4 228	ROD, Back Up Lamp	2 698
RETAINER, Transmission Rear Servo	4 246	ROD, Brake Pedal Push	4 658
RETAINER, Universal Joint Bearing and Flange	5 586	ROD, Bumper	7 836
RETAINER, Vacuum Power Brake Cylinder Relay Valve	4 935	ROD, Bumper Mounting	7 865
RETAINER, Wheel Cover Appearance	5 871	ROD, Carburetor	3 755
RETAINER, Windshield Reveal Molding	10 093	ROD, Carburetor and Fuel Injection Choke	3 752
RETAINER, Windshield Reveal	10 096	ROD, Carburetor Air Cleaner Controls	3 415
RETAINER, Windshield Wiper Transmission	10 160	ROD, Carburetor Metering	3 806
RING, A.C. Compressor Shaft	9 175	ROD, Carburetor Pump Connector	3 843
RING, A.C. Compressor (Internal Parts)(Axial)	9 172	ROD, Carburetor Throttle	3 762
RING, A.C. Compressor Pulley	9 181	ROD, Clutch Fork Release	0 787
RING, A.C. Compressor (Internal parts)(Radial)	9 172A	ROD, Concealed Headlamp Control Opening Cover	2 765
RING, A.C. Refrigerant	9 195	ROD, Cruise Control	3 885
RING, Carburetor and Fuel Meter Fuel Inlet	3 740	ROD, Door Inside Locking Rod	10 559
RING, Differential Bearing Adjusting	5 537	ROD, Door Inside Locking	10 563
RING, Door Outside Handle	10 529	ROD, Engine Clutch Pedal Control	0 854
RING, Exhaust Pipe	3 611	ROD, Engine Piston	0 603
RING, Front Seat Back	11 373	ROD, Engine Valve Push	0 426
RING GEAR, Transmission Output Shaft or Carrier	4 175	ROD, Folding Top	14 340
RING, Headlamp	2 726	ROD, Fuel Pump	3 935
RING, Headlamp Retaining	2 731	ROD, Headlamp Dimmer	2 459
RING, Horn Button Blowing	2 819	ROD, Headlamp Switch	2 486
RING, Hydraulic Steering Cylinder Piston Rod	6 581	ROD, Ignition Switch Warning, Lock or Headlamp	2 195
RING, King Pin Oil	6 225	ROD KIT, Radio Antenna	9 647
RING KIT, Engine Piston	6 643	ROD, Outside Air	9 787
RING KIT, Steering Pump	6 610	ROD, Power Brake Booster(Vacuum)	4 924
RING KIT, Transmission Overhaul	4 005	ROD, Radiator to Grille	1 287
RING KIT, Transmission Rear Bearing and Mainshaft	4 412	ROD, Radiator Support Mounting	1 274
RING, Rear Axle Shaft Bearing	5 816	ROD, Radio Antenna	9 647
RING, Rear Axle U Joint	5 428	ROD, Rear Axle Tie	5 415
RING, Rear Compartment Floor	12 981	ROD, Rear Hatch Window	12 187
RING, Speedometer Driven Gear	4 338	ROD, Roof Panel	12 810
RING, Starter Motor Thrust	2 063	ROD, Steering Column	6 514
RING, Steering Pump	6 609	ROD, Steering Column Housing	6 500
RING, Steering Pump Drive Shaft Outer Bearing Retainer	6 616	ROD, Steering Relay	6 870
RING, Transmission Clutch	4 164	ROD, Throttle Control	3 430
RING, Transmission Clutch	4 168	ROD, Tie Rod	6 233
RING, Transmission Clutch	4 167	ROD, Transmission Control	4 035
RING, Transmission Clutch	4 163	ROD, Transmission Control Lever	4 006
RING, Transmission Clutch	4 169	ROD, Transmission Control	4 035
RING, Transmission Clutch(Low & Reverse)	4 180	ROD, Transmission Gearshift Control (Hand)	4 006
RING, Transmission Gearshift Shaft	4 027	ROD, Transmission Safety Starting Switch	4 054
		ROD, Transmission Servo & Accumulator	4 228
		ROD, Transmission Throttle Valve	4 050

ALPHABETICAL INDEX

ROD, Windshield Wiper Control	10 163
ROD, Windshield Wiper Blade	10 147
ROLLER, Air Distributor	9 786
ROLLER, Door Window	10 728
ROLLER, Front Door Window Regulator	10 783
ROLLER KIT, Transmission Clutch(Low & Reverse)	4 180
ROLLER, Transmission Planet Carrier	4 176
ROLLER, Transmission Manual Detent	4 293
ROLLER, Transmission Mainshaft	4 352
ROLLER, Transmission Clutch	4 167
ROLLER, Transmission Countershaft Gear	4 422
ROLLER, Transmission Mainshaft Front Pilot to Main Drive Gear	4 352
ROTATOR, Engine Valve Spring	0 309
ROTOR, A.C. Compressor (Internal parts)(Radial)	9 172A
ROTOR, Distributor	2 382
ROTOR, Generator	2 279
RUN, Front Door Window Glass	10 701

S

SASH, Door Ventilator Glass (With Tee Shaft)	10 655
SASH, Front Door Window	10 685
SCREEN, A.C. Compressor (Internal Parts)(Axial)	9 172
SCREEN, A.C. Refrigerant	9 195
SCREEN, Carburetor and Fuel Meter Fuel Inlet	3 740
SCREEN, Carburetor Air Cleaner	3 410
SCREEN, Instrument Panel Opening	10 256
SCREEN KIT, Transmission Oil Pan	4 197
SCREEN, Oil Pump	1 656
SCREEN, Rear Quarter Side Inner	12 941
SCREEN, Transmission Throttle Valve	4 265
SCREEN, Transmission Oil	4 248
SCREEN, Transmission Oil Pump	4 224
SCREEN, Transmission Oil Pump Suction	4 197
SCREW, A.C. Compressor	9 177
SCREW, A.C. Compressor Drive	9 180
SCREW, A.C. Compressor (Internal Parts)(Axial)	9 172
SCREW, A.C. Condenser	9 190
SCREW, A.C. Evaporator Expansion Valve	9 214
SCREW, A.C. Refrigerant	9 195
SCREW, Air Distributor	9 262
SCREW, Automatic Choke Control	3 750
SCREW, Back Up Lamp	2 698
SCREW, Back Window Reveal Molding	11 209
SCREW, Battery Cable	2 343
SCREW, Battery Hold Down	2 334
SCREW, Brake Cylinder and Pedal Shaft	4 648
SCREW, Brake Main Cylinder	4 656
SCREW, Brake Shoe Adjusting	5 110
SCREW, Carburetor	3 755
SCREW, Carburetor (with Leather and Shaft)	3 838
SCREW, Carburetor and Fuel Injection Fast Idle Cam	3 767
SCREW, Carburetor and Fuel Injection Choke	3 752
SCREW, Carburetor and Fuel Injection Fast Idle	3 766
SCREW, Carburetor and Fuel Injection Idle Adjusting	3 822
SCREW, Carburetor and Fuel Meter Intake (with Seat and Gasket)	3 814
SCREW, Carburetor and Fuel Meter Fuel Inlet	3 740
SCREW, Carburetor Air	3 730
SCREW, Carburetor Body	3 741
SCREW, Carburetor Choke	3 751
SCREW, Carburetor Pump	3 841
SCREW, Carburetor Throttle Valve and Throttle Lever Adjusting	3 761
SCREW, Concealed Headlamp Control Drive	2 760
SCREW, Concealed Headlamp Control Opening Cover	2 765
SCREW, Differential Carrier	5 506
SCREW, Distributor	2 393
SCREW, Distributor	2 383
SCREW, Distributor	2 372
SCREW, Distributor	2 368
SCREW, Distributor Cap Retaining	12 195
SCREW, Door Handle Push Button	10 474
SCREW, Door Lock	10 792
SCREW, Door Window Regulator	3 671
SCREW, Emission Control System	0 429
SCREW, Engine Valve Adjusting	0 679
SCREW, Flywheel	14 080
SCREW, Folding and Hard Top	14 340
SCREW, Folding Top	12 840
SCREW, Front Body Hinge Pillar	8 143
SCREW, Front Fender	8 147
SCREW, Front Fender Name	11 375
SCREW, Front Seat Bottom Hinge	3 314
SCREW, Fuel or Air Meter	3 112
SCREW, Fuel Gage to Tank	3 322
SCREW, Fuel Meter	3 901
SCREW, Fuel Pump Mounting	3 130
SCREW, Fuel Tank Evaporator Control(Engine End)	3 028
SCREW, Fuel Tank Filler	3 003
SCREW, Fuel Tank Filler	2 319
SCREW, Generator	2 291
SCREW, Generator Brush	2 307
SCREW, Generator Drive End	2 277
SCREW, Generator Mounting	13 346
SCREW, Hardtop	2 775
SCREW, Headlamp Control	2 729
SCREW, Headlamp Mounting	2 736
SCREW, Headlamp Retaining Ring	8 080
SCREW, Hood Latch	2 819
SCREW, Horn Button Blowing	2 183
SCREW, Ignition Coil Mounting	2 188
SCREW, Ignition Switch	2 195
SCREW, Ignition Switch Warning, Lock or Headlamp	9 743
SCREW, Instrument Cluster	10 252
SCREW, Instrument Panel Trim	10 262
SCREW, Instrument Panel Compartment Door	7 800
SCREW, License Plate	12 815
SCREW, Luggage Carrier	1 428
SCREW, Oil Pan	1 453
SCREW, Oil Pan Drain	5 518
SCREW, Pinion Shaft Lock	1 270
SCREW, Radiator	1 276
SCREW, Radiator Baffle and Shroud	9 663
SCREW, Radio Static Suppression	5 400
SCREW, Rear Axle or Final Drive Filler and Drain	5 398
SCREW, Rear Axle Housing	12 237
SCREW, Rear Compartment Lid Lock	12 121
SCREW, Rear End Belt or Panel	2 708
SCREW, Rear License Lamp	10 186
SCREW, Rear View Mirror	8 309
SCREW, Rocker Panel Molding	12 952
SCREW, Roof	12 075
SCREW, Roof Drip	12 810
SCREW, Roof Panel	14 640
SCREW, Roof Trim Headlining	11 390
SCREW, Seat Back Locking	7 242
SCREW, Stabilizer Shaft	2 042
SCREW, Starter Motor	2 077
SCREW, Starter Motor Shoe	6 514
SCREW, Steering Column	6 500
SCREW, Steering Column Housing	6 760
SCREW, Steering Column Attaching	6 518
SCREW, Steering Column	6 843
SCREW, Steering Gear Ball Return Guide	6 525
SCREW, Steering Gear Shaft	5 198
SCREW, Suction Throttling (P.O.A.)	4 012
SCREW, Transmission Control	4 012
SCREW, Transmission Control Lever	4 226
SCREW, Transmission Front Servo	4 196
SCREW, Transmission Oil Pan	4 195
SCREW, Transmission Oil	4 203
SCREW, Transmission Oil Pump	4 226
SCREW, Transmission Oil Pump	2 895
SCREW, Turn Signal Lamp	2 906
SCREW, Turn Signal Switch	2 500
SCREW, Voltage	5 871
SCREW, Wheel Cover Appearance	4 668
SCREW, Wheel Cylinder	12 807
SCREW, Windshield Upper and Lower	10 153
SCREW, Windshield Washer Pump	10 150
SCREW, Windshield Wiper Motor	6 551
SEAL & CLAMP KIT, Steering Gear Hydraulic Valve	9 175
SEAL, A.C. Compressor Shaft	9 172A
SEAL, A.C. Compressor (Internal parts)(Radial)	9 225
SEAL, A.C. Compressor	9 214
SEAL, A.C. Evaporator Expansion Valve	

ALPHABETICAL INDEX

SEAL, A.C. Evaporator	9 211	SEAL, Steering Gear Pitman Shaft	6 855
SEAL, Accelerator Cable	3 469	SEAL, Steering Gear Repair	6 507
SEAL, Air Cleaner to Carburetor Mounting	3 406	SEAL, Steering Gear Shaft	6 525
SEAL, Air Cleaner Air Intake	3 417	SEAL, Steering Idler	6 898
SEAL, Air Distributor	9 786	SEAL, Steering Knuckle Upper and Lower Control Arm	6 166
SEAL, Air Distributor	9 262	SEAL, Steering Pump	6 635
SEAL, Air Outlet	9 260	SEAL, Steering Pump	6 609
SEALANT, Engine Coolant Outlet	1 154	SEAL, Steering Pump Drive Shaft	6 617
SEALANT, Engine Valve Rocker Arm Cover	0 423	SEAL, Steering Tie Rod	6 242
SEALANT, Manifold to Cylinder Head	3 270	SEAL, Suction Throttling (P.O.A.)	9 198
SEAL, Brake Cylinder and Pedal Shaft	4 648	SEAL, Transmission	4 115
SEAL, Bumper to Body	7 833	SEAL, Transmission Case	4 103
SEALBEAM, Headlamp	2 727	SEAL, Transmission Converter	4 115
SEAL, Carburetor and Fuel Injection Choke	3 752	SEAL, Transmission Control Lever	4 015
SEAL, Differential Drive Pinion	5 469	SEAL, Transmission Control Lever Trim	4 017
SEAL, Distributor and Fuel Injector	2 363	SEAL, Transmission Control Lever	4 015
SEAL, Distributor Drive Shaft	2 375	SEAL, Transmission Detent Control	4 050
SEAL, Door Outside Handle	10 529	SEAL, Transmission Extension	4 318
SEAL, Door Window Regulator	10 792	SEAL, Transmission Front Servo	4 226
SEAL, Engine Clutch Lever & Shaft	0 851	SEAL, Transmission Gearshift Shaft	4 027
SEAL, Engine Clutch Pedal	0 829	SEAL, Transmission Gearshift	4 107
SEAL, Engine Crankshaft Front	0 213	SEAL, Transmission Governor	4 256
SEAL, Engine Rear Main Bearing	0 137	SEAL, Transmission Hand Lever (Floor Mounted)	4 015
SEAL, Engine Valve	0 308	SEAL, Transmission Internal Selector Shaft	4 313
SEAL, Folding Top Motor and Pump	14 482	SEAL, Transmission Internal Shift	4 302
SEAL, Front Door	10 470	SEAL, Transmission Input and Turbine Shaft	4 123
SEAL, Front Door Wedge	10 584	SEAL, Transmission Main Drive Gear Bearing	4 354
SEAL, Front Door Window Glass Channel (Outer & Inner)	10 710	SEAL, Transmission Manual Shaft	4 282
SEAL, Front Fender	8 154	SEAL, Transmission Oil Pan	4 197
SEAL, Front Wheel Hub Bearing	6 326	SEAL, Transmission Oil Pump	4 226
SEAL, Fuel Meter	3 322	SEAL, Transmission Oil Filler	4 133
SEAL, Fuel Tank Filler Neck	3 008	SEAL, Transmission Oil Pump	4 203
SEAL, Generator Slip Ring End Frame	2 298	SEAL, Transmission Oil Filler	4 133
SEAL, Headlamp Control	2 775	SEAL, Transmission Output Shaft or Carrier	4 176
SEAL, Heater	8 845	SEAL, Transmission Park Lock	4 220
SEAL, Heater Core	8 854	SEAL, Transmission Rear Servo	4 242
SEAL, Hood Panel Ornamentation	8 055	SEAL, Transmission Rear Bearing Retainer	4 318
SEAL, Hydraulic Steering Cylinder Piston Rod	6 581	SEAL, Transmission Rear Main Bearing	4 318
SEAL, Ignition Coil Mounting	2 183	SEAL, Transmission Servo & Accumulator	4 229
SEAL, Instrument Cluster	9 749	SEAL, Transmission Servo	4 212
SEAL, Instrument Panel	10 230	SEAL, Transmission Servo & Accumulator	4 228
SEAL KIT, A.C. Compressor	9 170	SEAL, Transmission Shift Control Shaft	4 027
SEAL KIT, A.C. Compressor Shaft	9 175	SEAL, Transmission Solenoid	4 122
SEAL KIT, Engine Rear Main Bearing	0 137	SEAL, Transmission Throttle Valve	4 278
SEAL KIT, Engine Valve	0 308	SEAL, Transmission Throttle Valve	4 275
SEAL KIT, Rear Axle Shaft Bearing or Hub	5 822	SEAL, Transmission Vacuum	4 205
SEAL KIT, Steering Pump	6 609	SEAL, Wheel Brake	4 667
SEAL KIT, Transmission Clutch	4 166	SEAL, Wiring and Pipes	9 775
SEAL KIT, Transmission Servo & Accumulator	4 229	SEAL, A.C. Compressor (Internal Parts)(Axial)	9 172
SEAL KIT, Transmission Oil Pump	4 226	SEAL, Engine Clutch Lever & Shaft	0 851
SEAL KIT, Transmission Oil Pump	4 203	SEAL, Folding Top Compartment Lid	12 242
SEAL KIT, Transmission Clutch	4 166	SEAL, Hood Latch	8 085
SEAL, Lamp Monitor	2 584	SEAL, Hydraulic Steering Adapter	6 560
SEAL, Oil Pan	1 429	SEAL, Hydraulic Steering Cylinder Piston Rod	6 581
SEAL, Parking Brake Cable	4 784	SEAL, Intake Manifold Vacuum	3 278
SEAL, Parking Brake Lever Housing	4 612	SEAL, Rear Compartment Lid Lock	12 237
SEAL, Power Brake Booster	4 910	SEAL, Steering Column	6 521
SEAL, Power Brake Booster(Vacuum)	4 918	SEAL, Steering Connecting Rod	6 874
SEAL, Power Brake Booster	4 845	SEAL, Steering Gear Oil Pressure Hose	6 673
SEAL, Power Brake Booster(Vacuum)	4 924	SEAL, Transmission Clutch	4 164
SEAL, Propeller Shaft Universal Joint Trunnion	5 560	SEAL, Transmission Pressure Regulator and Oil Pump	4 216
SEAL, Radiator Support Mounting	1 274	SEAL, Transmission Servo & Accumulator	4 233
SEAL, Rear Axle Shaft Bearing or Hub	5 822	SECTOR, Ignition Switch Warning, Lock or Headlamp	2 195
SEAL, Rear Axle U Joint	5 430	SECTOR KIT, Ignition Switch Warning, Lock or Headlamp	2 195
SEAL, Rear Compartment Floor	12 981	SENDER, Coolant Temperature (Engine Unit)	1 150
SEAL, Rear Compartment	12 269	SENDER, Oil Pressure or Temperature	1 800
SEAL, Rear Compartment Lid and Rear End Panel	12 182	SENSOR, Carburetor Air Cleaner Controls	3 415
SEAL, Rear Window Defogger	9 778	SENSOR, Coolant Temperature (Engine Unit)	1 150
SEAL, Roof Panel	12 810	SENSOR, Emission Control Sensors	3 682
SEAL RING, A.C. Evaporator Expansion Valve	9 214	SENSOR, Oil Pressure or Temperature	1 800
SEAL RING, A.C. Refrigerant (All Metal)	9 220	SENSOR, Speedometer to Instrument Panel(Domestic)	9 761
SEAL RING, A.C. Refrigerant	9 196	SEPARATOR, Evaporation Emission System(Fuel Tank End)	3 120
SEAL RING KIT, A.C. Refrigerant	9 196	SERVO, Cruise Control	3 885
SEAL RING, Refrigerant Flow Sight	9 202	SHACKLE KIT, Rear Spring	7 523
SEAL, Shroud and Dash and Vent Duct	12 804	SHAFT, A.C. Compressor	9 170
SEAL, Speedometer Driven Gear	4 338	SHAFT, Air Distributor	9 786
SEAL, Steering Column	6 758	SHAFT, Brake Pedal	4 634
SEAL, Steering Column	6 519	SHAFT, Carburetor and Fuel Injection Choke	3 752
SEAL, Steering Connecting Rod	6 869		
SEAL, Steering Gear Hydraulic Valve	8 552		
SEAL, Steering Gear Oil Hose	6 874		
SEAL, Steering Gear Oil Pressure Hose	6 673		

MICROFICHE INDEX
GROUPS 4.000 THRU 5.000
FICHE 3 OF 6

GROUP DESCRIPTION	STARTING GRID LOCATION	
	PARTS	ILLUSTRATIONS
- INTRODUCTION	A-6	I-2
- GENERAL INFORMATION	A-2	I-2
- ALPHABETICAL INDEX	C-11	N.A.
- INDEX FOR ADDITIONAL INFORMATION	A-5	N.A.
4.000 TRANSMISSION - BRAKES	E-2	I-6
5.000 BRAKES - REAR AXLE - PROPELLER SHAFT - WHEELS	H-7	L-19
- OUT OF FICHE CALLS	N.A.	N-16

D-1

ALPHABETICAL INDEX

SHAFT, Differential Side Pinion	5 517	SHIM, Bumper Mounting	7 865
SHAFT, Distributor	2 372	SHIM, Differential Clutch	5 511
SHAFT, Front Door Window Regulator	10 793	SHIM, Distributor Shaft Thrust and Gear	2 379
SHAFT, Fuel Injection Distributor	3 340	SHIM, Door Hinge	10 450
SHAFT, Ignition Switch Warning, Lock or Headlamp	2 195	SHIM, Engine Mounting	0 002
SHAFT KIT, Oil Pump	1 639	SHIM, Engine Valve	0 303
SHAFT KIT, Transmission Parking Brake	4 294	SHIM, Folding Top	14 340
SHAFT KIT, Transmission Input and Turbine Shaft	4 123	SHIM, Hood Hinge	8 016
SHAFT, Oil Pump	1 639	SHIM, King Pin Thrust Bearing	6 214
SHAFT, Power Brake Booster(Vacuum)	4 924	SHIM KIT, Differential Rear Pinion Bearing	5 460
SHAFT, Propeller	5 544	SHIM KIT, Differential Bearing Adjusting	5 537
SHAFT, Rear Axle	5 420	SHIM KIT, Engine Main Bearing Cap	0 153
SHAFT, Rear Axle Control Arm	5 381	SHIM KIT, Steering Gear Lash Adjuster	6 828
SHAFT, Rear Axle Universal Joint	5 425	SHIM, Radiator	1 270
SHAFT, Rear Compartment Lid Lock Cylinder	12 252	SHIM, Rear Axle Control Arm	5 380
SHAFT, Speedometer to Instrument Panel(Domestic)	9 761	SHIM, Rear Compartment Lid and End Gate	12 184
SHAFT, Stabilizer	7 241	SHIM, Rear View Mirror	10 186
SHAFT, Starter Motor Drive Shift	2 108	SHIM, Rear Wheel	5 855
SHAFT, Steering Column	6 524	SHIM, Roof Panel	12 810
SHAFT, Steering Knuckle Lower Control Arm	6 169	SHIM, Seat Back	11 381
SHAFT, Steering Pump	6 614	SHIM, Seat Back Locking	11 390
SHAFT, Tachometer	9 750	SHIM, Starter Motor	2 042
SHAFT, Transmission Countergear	4 428	SHIM, Steering Knuckle Upper Control Arm	6 178
SHAFT, Transmission Gearshift	4 309	SHIM, Warning	2 810
SHAFT, Transmission Gearshift Control Shifter	4 025	SHIM, Windshield Wiper Access	10 130
SHAFT, Transmission Internal Shift	4 302	SHOE KIT, Brake	5 017
SHAFT, Transmission Input and Turbine Shaft	4 123	SHOE, Steering Column	6 514
SHAFT, Transmission Mainshaft	4 172	SHROUD, Radiator Fan	1 277
SHAFT, Transmission Main Drive	4 403	SHROUD, Steering Column	6 518
SHAFT, Transmission Main Drive	4 403	SHROUD, Transmission Control Lever	4 010
SHAFT, Transmission Output Shaft or Carrier	4 175	SIGHT GLASS KIT, Refrigerant Flow Sight	9 202
SHAFT, Transmission Parking Brake	4 294	SILENCER, Power Brake Booster	4 913
SHAFT, Transmission Reverse Idler	4 433	SILL, Door Opening Rocker	12 934
SHAFT, Transmission Reverse Idler	4 433	SKI ADAPTER PKG, Roof & Deck Lid(Group, 12 810)	21 060
SHAFT, Transmission Shift Control	4 025	SKIRT, Front Fender	8 153
SHAFT, Transmission Sun Gear and Shaft	4 161	SLEEVE, A.C. Compressor (Internal Parts)(Axial)	9 172
SHAFT, Transmission Shifter Shaft	4 309	SLEEVE, Air Injection Reactor Pump	3 655
SHAFT, Transmission Throttle Valve	4 275	SLEEVE, Carburetor Throttle Control	3 425
SHAFT, Upper Control Arm Shaft	6 164	SLEEVE, Clock	9 772
SHAFT, Valve Rocker Arm	0 353	SLEEVE, Concealed Headlamp Control Opening Cover	2 765
SHAFT, Windshield Wiper Motor Drive	10 151	SLEEVE, Distributor Breaker	2 385
SHELF, Instrument Panel	14 655	SLEEVE, Emission Control System	3 671
SHELL, A.C. Compressor	9 170	SLEEVE, Heater	8 846
SHELL, A.C. Refrigerant	9 195	SLEEVE, Instrument Cluster	9 748
SHELL KIT, A.C. Refrigerant	9 195	SLEEVE, Intake & Exhaust Manifold	3 273
SHELL, Power Brake Booster(Vacuum)	4 906	SLEEVE KIT, A.C. Condenser	9 190
SHELL, Transmission Output Shaft or Carrier	4 175	SLEEVE KIT, Steering Tie Rod Adjuster	6 232
SHIELD, Back Window Gutter	10 997	SLEEVE KIT, Transmission Control Rod To Lever	4 037
SHIELD, Brake Flange Plate	5 002	SLEEVE, Luggage Carrier	12 815
SHIELD, Catalytic Converter	3 690	SLEEVE, Oil Pump	1 639
SHIELD, Chassis Wiring Harness	2 559	SLEEVE, Roof Panel	12 810
SHIELD, Distributor	2 383	SLEEVE, Speedometer Driven Gear	4 338
SHIELD, Door Lock Remote Control	10 500	SLEEVE, Speedometer Driven Gear	4 338
SHIELD, Engine Fuel Intake Manifold	3 265	SLEEVE, Transmission Gearshift	4 307
SHIELD, Engine Valve	0 308	SLEEVE, Transmission First And Reverse Gear Thrust	4 419
SHIELD, Exhaust Manifold Heater	3 602	SLEEVE, Transmission Oil Pump	4 224
SHIELD, Exhaust Tail Pipe	3 705	SLIDE BLOCK, Front Seat Adjuster	11 561
SHIELD, Floor Pan	12 980	SLINGER, Differential Drive Pinion	5 484
SHIELD, Front Door	10 470	SLINGER, Generator Drive End	2 307
SHIELD, Front Fender	8 153	SLINGER, Transmission Main Drive Gear Bearing	4 374
SHIELD, Fuel Line	3 163	SOCKET, Back Up Lamp	2 697
SHIELD, Headlamp	2 726	SOCKET, Brake Shoe Adjusting Screw	5 111
SHIELD, Ignition Switch Warning, Lock or Headlamp	2 195	SOCKET, Instrument Cluster	9 744
SHIELD, Instrument Cluster	9 748	SOCKET, Instrument Cluster Warning	9 765
SHIELD, Instrument Panel Compartment Lamp	10 275	SOCKET, Luggage Compartment	9 988
SHIELD KIT, Distributor	2 393	SOCKET, Parking Lamp	2 596
SHIELD, Radiator to Grille	1 287	SOCKET, Rear License Lamp	2 714
SHIELD, Radio Static Suppression	9 663	SOCKET, Side Marker and Hazard Flasher	2 575
SHIELD, Rear Axle Universal Joint	5 425	SOCKET, Tail Lamp	2 694
SHIELD, Rear Compartment Floor	12 981	SOCKET, Tie Rod	6 233
SHIELD, Rear Wheel Bearing Dust	5 815	SOLENOID, Carburetor Air Cleaner Controls	3 415
SHIELD, Side Marker and Hazard Flasher	2 575	SOLENOID, Carburetor Idle	3 440
SHIELD, Spark Plug Wire	2 251	SOLENOID, Early Fuel Evaporation Control	3 140
SHIELD, Starter Solenoid	2 104	SOLENOID, Emission Control System	3 670
SHIELD, Steering Column	6 514	SOLENOID, Engine and Transmission Controlled Spark	2 408
SHIELD, Wheelhouse	12 944	SOLENOID, Transmission Solenoid	4 122
SHIELD, Windshield Wiper Motor Drive	10 151	SOLENOID VALVE, Windshield Wiper Access	10 130
SHIM, A.C. Compressor Mounting	9 171	SPACER, A.C. Compressor Pulley	9 181
SHIM, Body to Frame Bolt	9 023	SPACER, A.C. Compressor Mounting	9 171
SHIM, Bumper Energy Absorber	7 840		

ALPHABETICAL INDEX

SPACER, A C Evaporator Blower	9 215	SPRING, Carburetor Metering Rod	3 810
SPACER, Air Distributor	9 262	SPRING, Carburetor Power Piston	3 859
SPACER, Air Distributor	9 786	SPRING, Carburetor Pump	3 841
SPACER, Air Injection Reactor and Exhaust Gas Recirculation	3 680	SPRING, Carburetor Throttle Valve and Throttle Lever Adjusting	3 761
SPACER, Air Injection Reactor Pump	3 650	SPRING, Clutch and Brake Pedal Shaft	0 837
SPACER, Air Injection Reactor Pump	3 655	SPRING, Clutch Pressure	0 865
SPACER, Back Window	11 204	SPRING, Clutch Pressure Lever Retainer	0 878
SPACER, Battery	2 333	SPRING, Concealed Headlamp Control Opening Cover	2 765
SPACER, Body to Frame Bolt	9 023	SPRING, Concealed Headlamp Control Drive	2 760
SPACER, Brake Pedal	4 626	SPRING CLIP, A C Vacuum & Temperature	9 281
SPACER, Bumper Energy Absorber	7 840	SPRING CLIP, Concealed Headlamp Control Opening Cover	2 765
SPACER, Concealed Headlamp Opening Cover	2 770	SPRING CLIP, Cruise Control	3 885
SPACER, Differential Bearing Adjusting	5 537	SPRING CLIP, Speedometer to Instrument Panel(Domestic)	9 761
SPACER, Differential Drive Pinion Front and Center Bearing	5 453	SPRING CLIP, Windshield Washer	10 155
SPACER, Door Weatherstrip	10 695	SPRING, Differential Clutch	5 511
SPACER, Early Fuel Evaporation	3 145	SPRING, Distributor Breaker	2 385
SPACER, Engine Cooling	1 064	SPRING, Distributor Weight	2 389
SPACER, Engine Fan Coolant	1 060	SPRING, Door Lock Cylinder	10 553
SPACER, Exhaust	3 609	SPRING, Door Lock Inside	10 512
SPACER, Front Seat Back Panel	11 368	SPRING, Door Outside Handle	10 529
SPACER, Fuel Line	3 163	SPRING, Engine Clutch Fork Return	0 844
SPACER, Generator	2 317	SPRING, Engine Clutch Lever & Shaft	0 851
SPACER, Generator Mounting	2 277	SPRING, Engine Clutch	0 864
SPACER, Hardtop	13 346	SPRING, Engine Clutch Release Fork	0 796
SPACER, Hydraulic Steering Valve	6 554	SPRING, Engine Valve	0 303
SPACER, Hydraulic Steering Cylinder Piston Rod	6 581	SPRING, Folding and Hard Top	14 080
SPACER, Parking Brake	4 790	SPRING, Folding Top Compartment Lid	12 242
SPACER, Radiator Grille and Front End Panel	1 267	SPRING, Folding Top Compartment	12 170
SPACER, Radio Antenna	9 647	SPRING, Front Chassis	7 412
SPACER, Radio Control	9 649	SPRING, Front Seat Adjuster	11 561
SPACER, Rear Axle Shaft Bearing	5 816	SPRING, Front Seat Manual Adjuster	11 581
SPACER, Rear Compartment	12 269	SPRING, Fuel Tank Evaporator Control(Engine End)	3 130
SPACER, Rear Compartment Lid and End Gate	12 184	SPRING, Fuel Tank Filler	12 945
SPACER, Rear Compartment Lid Lock	12 237	SPRING, Generator	2 319
SPACER, Rear Spring	7 535	SPRING, Generator Brush	2 286
SPACER, Rear Spring and Shock Absorber Anchor	7 518	SPRING, Headlamp Adjuster	2 737
SPACER, Seat Belt	14 875	SPRING, Headlamp Dimmer	2 459
SPACER, Stabilizer	7 240	SPRING, Heat Valve Actuator	3 641
SPACER, Starter Motor	2 042	SPRING, Hood Latch	8 083
SPACER, Steering Column	6 514	SPRING, Hood Latch	8 085
SPACER, Steering Idler Lever	6 897	SPRING, Horn Button Blowing	2 819
SPACER, Steering Knuckle Control Arm	6 176	SPRING, Hydraulic Steering Cylinder Piston Rod	6 581
SPACER, Steering Pump Mounting	6 606	SPRING, Hydraulic Steering Adapter	6 560
SPACER, Transmission Housing	4 162	SPRING, Ignition Switch Warning, Lock or Headlamp	2 195
SPACER, Transmission Mainshaft Front Pilot to Main Drive Gear	4 353	SPRING, Instrument Cluster Warning	9 765
SPACER, Transmission Mounting	4 085	SPRING, Instrument Panel Ash Tray	12 009
SPACER, Transmission Pressure Regulator and Oil Pump	4 216	SPRING, Instrument Panel	14 655
SPACER, Transmission Mount and Support	4 085	SPRING KIT, Brake Shoe	5 026
SPACER, Transmission Counter Gear	4 423	SPRING KIT, Engine Valve	0 303
SPACER, Transmission Mainshaft Bearing	4 353	SPRING KIT, Windshield Washer Pump	10 153
SPACER, Transmission Oil Pump	4 226	SPRING, Oil Pressure Regulator	1 609
SPACER, Turn Signal Lamp	2 895	SPRING, Parking Brake Lever	5 151
SPACER, Universal Joint Yoke Trunion	5 566	SPRING, Plenum Air	9 789
SPACER, Windshield Glass	10 027	SPRING, Power Brake Booster(Vacuum)	4 928
SPACER, Windshield Reveal	10 096	SPRING, Rear Chassis	7 503
SPEAKER, Radio	9 650	SPRING, Rear Compartment	12 249
SPEAKER, Radio Auxiliary Speakers	9 665	SPRING, Rear View Mirror	10 186
SPHERE KIT, Steering Column	6 514	SPRING, Side Marker and Hazard Flasher	2 575
SPHERE, Steering Column	6 514	SPRING, Starter Drive	2 087
SPLINDLE, Rear Wheel	5 806	SPRING, Starter Motor Drive Shift	2 108
SPLITTER BOX, Radio Antenna	9 647	SPRING, Starter Motor Brush	2 053
SPOTLIGHT PKG, Portable Spot(Group 9 773)	21 290	SPRING, Steering Column	6 521
SPRAG, Transmission Clutch	4 167	SPRING, Steering Column Housing	6 500
SPRAG, Transmission Clutch(Low & Reverse)	4 180	SPRING, Steering Column	6 514
SPRING, auto Jack	8 820	SPRING, Steering Connecting Rod	6 876
SPRING, Accelerator Return Spring	3 459	SPRING, Steering Gear Hydraulic Valve	6 552
SPRING, Air Distributor	9 786	SPRING, Steering Gear Shaft	6 525
SPRING, Brake Drum	5 810	SPRING, Steering Pump	6 612
SPRING, Brake Hose or Pipe	4 681	SPRING, Sunshade	10 219
SPRING, Brake Pull Back	4 760	SPRINGS, Front Chassis	7 412
SPRING, Brake Shoe	5 026	SPRINGS, Rear Chassis	7 503
SPRING, Brake Shoe Automatic Adjusting Lever	5 107	SPRING, Transmission Control Lever	4 008
SPRING, Carburetor (with Leather and Shaft)	3 838	SPRING, Transmission Clutch(Low & Reverse)	4 180
SPRING, Carburetor and Fuel Injection Idle Adjusting Screw	3 823	SPRING, Transmission Shift Shaft Detent	4 311
SPRING, Carburetor and Fuel Injection Fast Idle	3 766	SPRING, Transmission Clutch	4 163
SPRING, Carburetor and Fuel Meter Fuel Inlet	3 740	SPRING, Transmission Pressure Regulator and Oil Pump	4 216
SPRING, Carburetor Air Valve	3 757	SPRING, Transmission Shift Control Cable	4 047
SPRING, Carburetor Diaphragm Return	3 763		

WAREHOUSING DISTRIBUTION DIVISION OF GENERAL MOTORS CORPORATION—CHEVROLET—14A

ALPHABETICAL INDEX

SPRING, Transmission Clutch	4 164	STRUT, Parking Brake Lever	5 150
SPRING, Transmission Synchronizing	4 413	STRUT, Rear Axle Tie	5 415
SPRING, Transmission Oil Pump	4 226	STUD, A.C. Compressor Mounting	9 171
SPRING, Transmission Clutch	4 167	STUD, Accelerator Pedal Mounting	3 452
SPRING, Transmission Control Rod To Lever	4 037	STUD, Accelerator Return Spring	3 459
SPRING, Transmission Control	4 008	STUD, Air Cleaner Air Intake	3 417
SPRING, Transmission Control Rod	4 037	STUD, Air Distributor	9 786
SPRING, Transmission Shift Control Lever	4 027	STUD, Battery Hold Down	2 334
SPRING, Transmission Shift Shaft Detent	4 311	STUD, Carburetor to Manifold	3 288
SPRING, Transmission Synchronizing	4 413	STUD, Carburetor to Manifold	3 726
SPRING, Transmission First And Reverse Gear Thrust	4 419	STUD, Carburetor Air Cleaner and Silencer	3 403
SPRING, Transmission Rear Bearing and Mainshaft	4 412	STUD, Carburetor Throttle Control	3 425
SPRING, Transmission Gearshift Shaft	4 027	STUD, Concealed Headlamp Control Opening Cover	2 765
SPRING, Transmission Throttle Valve	4 275	STUD, Cruise Control	3 880
SPRING, Transmission Front Servo	4 233	STUD, Emission Control System	3 671
SPRING, Transmission Parking Brake Lever	4 295	STUD, Engine Air Cool Fan	1 050
SPRING, Transmission Gearshift Control Hand Lever	4 008	STUD, Engine Clutch Lever & Shaft	0 851
SPRING, Transmission Main Valve	4 216	STUD, Engine Clutch Release Fork	0 796
SPRING, Transmission Servo & Accumulator	4 233	STUD, Engine Coolant	1 153
SPRING, Transmission Rear Servo	4 246	STUD, Engine Coolant Pump	1 073
SPRING, Transmission Gearshift Rod	4 037	STUD, Engine Fan Coolant	1 060
SPRING, Transmission Vacuum	4 205	STUD, Engine Fuel Intake Manifold	3 265
SPRING, Transmission Clutch	4 164	STUD, Engine Main Bearing Cap	0 056
SPRING, Transmission Control Lever	4 027	STUD, Engine Oil Pump	1 652
SPRING, Turn Signal Switch Cancelling	2 896	STUD, Engine Valve Adjusting	0 429
SPRING, Wheel Cylinder	4 669	STUD, Engine Valve Rocker Arm Cover	0 413
SPRING, Windshield Wiper Motor Drive	10 151	STUD, Exhaust Pipe	3 613
SPRING, Windshield Wiper Motor	10 150	STUD, Flywheel	0 679
SPROCKET, Engine Camshaft	0 736	STUD, Folding and Hard Top	14 080
SPROCKET, Engine Crankshaft	0 728	STUD, Fuel Pump Mounting	3 901
STATOR, Generator Field	2 310	STUD, Hardtop	13 346
STOP, Concealed Headlamp Control Opening Cover	2 765	STUD, Hydraulic Steering Cylinder Piston Rod	6 581
STOP, Door Window	10 716	STUD, Ignition Switch	2 188
STOP, Folding Top	14 340	STUD, Intake & Exhaust Manifold	3 275
STOP, Headlamp Control	2 775	STUD, Intake Manifold Vacuum	3 278
STOP, Transmission Pressure Regulator and Oil Pump	4 216	STUD, Oil Pan	1 428
STOVE, Air Cleaner Air Intake	3 417	STUD, Rear Hatch Window	12 187
STRAINER, Fuel Tank Gage	3 110	STUD, Starter Motor Drive Shift	2 108
STRAP, A.C. Compressor	9 242	STUD, Starter Motor Switch	2 102
STRAP, Battery(Negative)	2 341	STUD, Steering Connecting Rod	6 874
STRAP, Chassis Wiring Harness	2 559	STUD, Steering Pump Mounting	6 606
STRAP, Distributor	2 383	STUD, Throttle Control Lever	3 463
STRAP, Distributor	2 400	STUD, Transmission Throttle Valve Control	4 052
STRAP, Engine Cooling	1 219	STUD, Windshield Wiper Access	10 130
STRAP, Exhaust Manifold Heater	3 602	SUB BODY, Headlamp	2 726
STRAP, Fuel Tank Mounting	3 022	SUNSHADE, Windshield Sunshade	10 203
STRAP, Headlamp	2 485	SUPPORT, A.C. Compressor Mounting	9 171
STRAP, Heater Core	8 854	SUPPORT, Accelerator Pedal Lever	3 454
STRAP, Luggage Carrier	12 815	SUPPORT, Body Rear End(Plastic Laminated)	12 986
STRAP, Plenum Air	9 789	SUPPORT, Brake Flange	5 001
STRAP, Radio Static Suppression	9 663	SUPPORT, Bumper	7 836
STRAP, Rear Axle Rebound	5 390	SUPPORT, Bumper Energy Absorber	7 840
STRAP, Rear Compartment Floor	12 981	SUPPORT, Catalytic Converter	3 690
STRAP, Roof Panel	12 810	SUPPORT, Concealed Headlamp Control Opening Cover	2 765
STRIKER, Door Lock	10 569	SUPPORT, Floor Console	10 240
STRIKER, Folding Top Roof Rail	14 090	SUPPORT, Front Body Hinge Pillar	12 840
STRIKER, Hood Latch	8 080	SUPPORT, Fuel Tank Evaporator Control(Engine End)	3 130
STRIKER, Instrument Panel Compartment Door	10 268	SUPPORT, Fuel Tank Stone Shield	3 015
STRIKER, Rear Compartment Lid Lock	12 237	SUPPORT, Generator Mounting	2 277
STRIKER, Rear Compartment Floor	12 981	SUPPORT, Hood Panel	8 015
STRIKER, Rear View Mirror	10 186	SUPPORT, Horn Button Blowing	2 819
STRIKER, Stop Lamp	2 447	SUPPORT, Inside Rear View Mirror	10 187
STRIP, Bumper Energy Absorber	7 840	SUPPORT, Instrument Panel Compartment Lamp	10 275
STRIP, Bumper Face	7 831	SUPPORT KIT, Concealed Headlamp Control Opening Cover	2 765
STRIP, Bumper	7 832	SUPPORT, Parking Lamp	2 587
STRIP, Front Door	12 112	SUPPORT, Power Brake Booster(Vacuum)	4 930
STRIP, Front Fender and Body Ornamentation	8 132	SUPPORT, Radiator	1 270
STRIP, Hood Panel Ornamentation	8 055	SUPPORT, Radiator Fan	1 277
STRIP, Inside and Outside Rear View	10 185	SUPPORT, Radiator Grille and Front End Panel	1 267
STRIP, Rear Compartment Lid and Rear End Panel	12 182	SUPPORT, Radio Static Suppression	9 663
STRIP, Rear Quarter Ornamentation	12 116	SUPPORT, Rear Axle Control Arm	5 380
STRIP, Roof Panel	12 812	SUPPORT, Rear Axle Tie Rod	5 418
STRIP, Front Body Hinge Pillar	12 840	SUPPORT, Rear Body Lock Pillar	12 942
STRIP, Rear Body Lock Pillar	12 942	SUPPORT, Rear Compartment Floor	12 981
STRIP, Rear Compartment Floor	12 981	SUPPORT, Roof Panel	12 810
STRIP, Roof Panel	12 810	SUPPORT, Shroud and Dash and Vent Duct	12 804
STRIP, Windshield Glass	10 092	SUPPORT, Spare Wheel	7 629
STRUT, Clutch Release Lever	0 875	SUPPORT, Spark Plug Wire	2 251
		SUPPORT, Starter Motor Brush	2 052
		SUPPORT, Steering Column	6 518

ALPHABETICAL INDEX

SUPPORT, Steering Column Attaching	6 760	TEE, Auto Shock Absorber	7 447
SUPPORT, Sunshade	10 219	TEE, Concealed Headlamp Control Drive	2 760
SUPPORT, Transmission Housing	4 162	TEE, Crankcase	1 745
SUPPORT, Transmission Output Shaft or Carrier	4 175	TEE, Distributor Vacuum	2 420
SUPPORT, Transmission Control Lever	4 010	TEE, Fuel Line	3 163
SUPPORT, Transmission Control Valve	4 265	TEE, Fuel Tank Evaporator Control(Engine End)	3 130
SUPPORT, Turn Signal Switch	2 906	TEE, Intake Manifold Vacuum	3 278
SWITCH, A. C. Compressor (Internal Parts)(Axial)	9 172	TEE, Power Brake Booster(Vacuum)	4 931
SWITCH, A. C. Control Vacuum	9 280	TEE, Transmission Vacuum	1 205
SWITCH, A. C. Electric Control	9 275	TEE, Windshield Washer	10 155
SWITCH, Back Up Lamp	2 698	TERMINAL BLOCK, Distributor	2 383
SWITCH, Body Harness	13 095	TERMINAL, Chassis Electrical	2 530
SWITCH, Brake Pressure Regulator	4 690	TERMINAL, Concealed Headlamp Control	
SWITCH, Concealed Headlamp Motor	2 755	Opening Cover	2 765
SWITCH, Coolant Temperature (Engine Unit)	1 150	TERMINAL, Heater Blower Motor	8 855
SWITCH, Courtesy Lamp	11 950	TERMINAL KIT, Generator	2 313
SWITCH, Distributor Vacuum	2 410	THERMOSTAT, Automatic Choke Control	3 750
SWITCH, Door Electric and Vacuum Locks	10 485	THERMOSTAT, Engine Coolant Temperature	1 246
SWITCH, Door Window	10 777	THERMOSTAT, Exhaust Manifold Heat Valve	3 640
SWITCH, Early Fuel Evaporation Control	3 140	TIMER, Courtesy Lamp	11 935
SWITCH, Emission Control System	3 670	TIMER, Instrument Cluster Warning	9 765
SWITCH, Engine and Transmission Controlled		TCOL, Wheel and Jack Wrench	8 821
Spark	2 408	TRANSCEIVER, Radio	9 650
SWITCH, Engine Air Cooling(Electrical)	1 055	TRANSDUCER, Cruise Control	3 895
SWITCH, Exhaust Manifold Heat Valve	3 640	TRANSISTOR, Distributor	2 383
SWITCH, Headlamp	2 485	TRANSISTOR, Voltage and Glow Plug	2 510
SWITCH, Headlamp Dimmer	2 459	TRANSMISSION, Automatic	4 003
SWITCH, Heater Control	8 852	TRANSMISSION, Manual (4 Speed)	4 003
SWITCH, Ignition Switch	2 188	TRANSMISSION, Seat Adjuster	11 556
SWITCH, Ignition Switch Warning, Lock or		TRANSMISSION, Windshield Wiper	10 159
Headlamp	2 195	TRAY, Door, Quarter Arm Rest or Front Seat	
SWITCH, Instrument Panel Compartment Lamp	10 275	Back	12 045
SWITCH KIT, A. C. Compressor (Internal		TRAY, Spare Wheel	7 629
parts)(Radial)	9 172A	TRIM, Folding Top Cover	13 347
SWITCH KIT, A. C. Compressor (Internal		TRIM, Front Seat Back and Back of Back	14 800
Parts)(Axial)	9 172	TRIM, Front Seat Cushion	14 880
SWITCH KIT, Ignition Switch Warning, Lock or		TRIM, Roof Trim Headlining	14 640
Headlamp	2 195	TUBE, A. C. Blower Motor Cooling	9 218
SWITCH, Oil Pressure or Temperature	1 800	TUBE, A. C. Compressor (Internal Parts)(Axial)	9 172
SWITCH, Parking Brake Alarm	4 589	TUBE, A. C. Evaporator	9 211
SWITCH, Radio Antenna	9 647	TUBE, A. C. Refrigerant (All Metal)	9 220
SWITCH, Rear View Mirror	10 186	TUBE, A. C. Refrigerant	9 195
SWITCH, Rear Window Defogger	9 778	TUBE, Air Injection Reactor and Exhaust Gas	
SWITCH, Seat Adjuster	11 558	Recirculation	3 680
SWITCH, Side Marker and Hazard Flasher	2 575	TUBE, Choke Heater or Air	3 603
SWITCH, Starter Motor	2 100	TUBE, Crankcase	1 745
SWITCH, Stop Lamp	2 447	TUBE, Crankcase Ventilation	1 762
SWITCH, Transmission Smog Control	4 075	TUBE, Front Seat Adjuster	11 561
SWITCH, Transmission Control Spark	4 075	TUBE, Oil Level	1 516
SWITCH, Transmission Control	4 057	TUBE, Power Brake Booster(Vacuum)	4 930
SWITCH, Transmission Safety Starting Switch	4 054	TUBE, Shock Absorber Air Lift	7 346
SWITCH, Transmission Control Spark	4 075	TUBE, Speedometer to Instrument	
SWITCH, Transmission Safety Starting Switch	4 054	Panel(Domestic)	9 761
SWITCH, Transmission Converter	4 115	TUBE, Steering Column	6 518
SWITCH, Transmission Control Valve	4 265	TUBE, Transmission Gearshift Control Shifter	4 025
SWITCH, Transmission Control Safety	4 054	TUBE, Transmission Oil Filler	4 133
SWITCH, Turn Signal Lamp	2 895	TUBE, Transmission Oil Filler	4 133
SWITCH, Windshield Wiper Motor	10 150	TUBE, Transmission Shift Control	4 025
SWITCH, Windshield Wiper Control	10 163	TUMBLER, Door Lock Cylinder	10 553
SWIVEL, Carburetor Throttle Control	3 425	TUMBLER, Rear Compartment	12 249
SWIVEL, Clutch Fork Release	0 787		
SWIVEL, Transmission Control Rod To Lever	4 037		
SWIVEL, Transmission Throttle Valve Control	4 052		
SWIVEL, Transmission Safety Starting Switch	4 054		
SWIVEL, Transmission Control Rod	4 037		
SWIVEL, Transmission Throttle Valve Control	4 052		
SWIVEL, Transmission Safety Starting Switch	4 054		
SWIVEL, Transmission Throttle Valve Control	4 052		
SWIVEL, Transmission Control Safety	4 054		
SYNCHRONIZER, Transmission Synchronizing	4 380		
T			
TACHOMETER, Tachometer	9 750		
TANK, Concealed Headlamp Control Drive	2 760		
TANK, Engine Cooling	1 219		
TANK, Fuel	3 001		
TAPE, Back Window Glass	11 207		
TAPE, Bumper	7 832		
TAPE, Front Fender and Body Ornamentation	8 132		
TEE, A. C. Vacuum & Temperature	9 281		
U			
U BOLT, Exhaust System Attaching	3 708		
U BOLT KIT, Exhaust System Attaching	3 708		
U BOLT, Rear Spring and Shock Absorber			
Anchor Plate	7 516		
U BOLT, Universal Joint Bearing and Flange	5 586		
UNDERPAN, Flywheel	0 679		
UNIT, Rear Spring and Axle	7 529		
UNIT, Steering Gear Repair	6 507		
V			
VALVE, A. C. Compressor (Internal Parts)(Axial)	9 172		
VALVE, A. C. Compressor Pressure Relief	9 178		
VALVE, A. C. Expansion Refrigerant	9 213		
VALVE, Air Distributor	9 262		

WAREHOUSING DISTRIBUTION DIVISION OF GENERAL MOTORS CORPORATION—CHEVROLET—14A

ALPHABETICAL INDEX

VALVE, Air Distributor	9 786	WASHER, Door Window	10 728
VALVE, Air Duct	9 782	WASHER, Door Window	10 716
VALVE, Brake Pressure Regulator	4 690	WASHER, Door Window Regulator	10 792
VALVE, Carburetor Air Cleaner Controls	3 415	WASHER, Engine Clutch Lever & Shaft	0 851
VALVE, Carburetor Choke	3 751	WASHER, Engine Coolant Temperature (Dash Unit)	1 148
VALVE, Carburetor Idle Vapor Vent	3 852	WASHER, Engine Crankshaft Pulley and Balancer	0 662
VALVE, Concealed Headlamp Control Drive	2 760	WASHER, Engine Cylinder Head	0 293
VALVE, Crankcase	1 745	WASHER, Engine Oil Pump	1 652
VALVE, Cruise Control	3 885	WASHER, Exhaust Mounting	3 706
VALVE, Early Fuel Evaporation Control	3 140	WASHER, Exhaust Muffler	3 704
VALVE, Emission Control System	3 670	WASHER, Folding and Hard Top	14 080
VALVE, Engine and Transmission Controlled Spark	2 408	WASHER, Folding Top Side Rail Center	14 190
VALVE, Exhaust	0 297	WASHER, Folding Top Side Roof Rail	14 162
VALVE, Exhaust Manifold Heat	3 647	WASHER, Frame Front Cross Member	7 039
VALVE, EGR, Emission Control System	3 670	WASHER, Front Door Window Regulator	10 783
VALVE, Fuel Tank Evaporator Control(Engine End)	3 130	WASHER, Front Door Window	10 685
VALVE, Heater Temperature Control	8 850	WASHER, Front Fender	8 143
VALVE, Heater Water Temperature Control	9 795	WASHER, Fuel Injection Distributor	3 340
VALVE, Intake	0 296	WASHER, Fuel Pump Mounting	3 901
VALVE KIT, Carburetor Power	3 858	WASHER, Fuel Tank Mounting Strap	3 023
VALVE KIT, Emission Control System	3 670	WASHER, Generator	2 313
VALVE KIT, Transmission Control Valve	4 265	WASHER, Generator Brush	2 291
VALVE KIT, Transmission Main Valve	4 216	WASHER, Generator Drive End	2 307
VALVE KIT, Transmission Pressure Regulator and Oil Pump	4 216	WASHER, Generator Mounting	2 277
VALVE, Main Cylinder	4 657	WASHER, Generator Rotor Shaft	2 280
VALVE, Oil Filter	1 837	WASHER, Hydraulic Steering Cylinder Piston Rod	6 581
VALVE, Oil Pressure Regulator	1 609	WASHER, Hydraulic Steering Valve	6 554
VALVE, Power Brake Booster Check(Vacuum)	4 955	WASHER, Ignition Switch Warning, Lock or Headlamp	2 195
VALVE, Shock Absorber Air Lift	7 346	WASHER, Instrument Panel	2 515
VALVE, Steering Gear Hydraulic	6 550	WASHER, Instrument Panel Fuel Gage	3 108
VALVE, Steering Pump Control	6 624	WASHER KIT, A.C. Compressor	9 170
VALVE, Suction Throttling (P.O.A.)	9 198	WASHER KIT, Transmission Low Sun Gear and Clutch	4 162
VALVE, Tire Valve And Cover Lock	5 875	WASHER, Luggage Carrier	12 815
VALVE, Transmission Control Valve	4 265	WASHER, Master Cylinder Adjusting	4 662
VALVE, Transmission Converter	4 115	WASHER, Oil Pressure Gage	1 803
VALVE, Transmission Pressure Regulator and Oil Pump	4 216	WASHER, Parking Brake Lever	5 156
VALVE, Transmission Vacuum	4 205	WASHER, Propeller Shaft Pinion Flange	5 595
VALVE, Transmission Vacuum	4 205	WASHER, Quarter Window Sash	11 007
VALVE, Wheel Cylinder	4 666	WASHER, Radiator	1 263
VALVE, Windshield Washer Pump	10 153	WASHER, Radiator	1 270
VALVE, Windshield Wiper Control	10 163	WASHER, Rear Axle	5 387
VANE, Transmission Oil Pump	4 226	WASHER, Rear Axle	5 830
VENTILATOR, Crankcase	1 745	WASHER, Rear Axle Control Arm	5 380
VENTILATOR, Door (Less Glass)	10 650	WASHER, Rear Axle Control Arm	5 383
VENTILATOR, Rear Axle	5 387	WASHER, Rear Axle Tie Rod	5 418
VENTILATOR, Transmission Case	4 104	WASHER, Roof Panel	12 810
VENTILATOR, Transmission Case	4 104	WASHER, Seat Back	11 381
VENTILATOR, Transmission Case	4 104	WASHER, Shock Absorber	7 347
VENT, Transmission Case	4 104	WASHER, Starter Motor Switch	2 102
		WASHER, Starter Motor Thrust	2 063
		WASHER, Steering Column	6 521
		WASHER, Steering Column Attaching	6 760
		WASHER, Steering Column Housing	6 500
		WASHER, Steering Gear Shaft	6 525
		WASHER, Steering Gear Hydraulic Valve	6 552
		WASHER, Steering Idler Lever	6 897
		WASHER, Steering Knuckle Upper Control Arm	6 178
		WASHER, Steering Knuckle Spindle	6 321
		WASHER, Steering Knuckle Lower Control Arm	6 172
		WASHER, Steering Pitman Arm	6 861
		WASHER, Steering Pump	6 655
		WASHER, Steering Pump Mounting	6 606
		WASHER, Tachometer	9 750
		WASHER, Transmission Servo & Accumulator	4 233
		WASHER, Transmission Clutch	4 169
		WASHER, Transmission Control Indicator	4 022
		WASHER, Transmission Main Drive Gear Bearing Retainer	4 376
		WASHER, Transmission Clutch	4 164
		WASHER, Transmission Reverse Gear Thrust	4 419
		WASHER, Transmission First And Reverse Gear Thrust	4 419
		WASHER, Transmission Input	4 158
		WASHER, Transmission Reverse Idler Gear Thrust	4 437
		WASHER, Transmission Control Lever	4 012
		WASHER, Transmission Oil Pump	4 226
		WASHER, Transmission Control Valve	4 265

W

WASHER, A.C. Compressor Drive	9 180
WASHER, Air Distributor	9 262
WASHER, Battery Filler	2 345
WASHER, Battery Hold Down	2 334
WASHER, Brake Hose	4 671
WASHER, Brake Master Cylinder Rod	4 659
WASHER, Brake Pedal	4 634
WASHER, Brake Shoe Adjusting	5 110
WASHER, Bumper to Body	7 833
WASHER, Bumper Energy Absorber	7 840
WASHER, Bumper Mounting	7 865
WASHER, Carburetor to Manifold	3 288
WASHER, Carburetor Throttle Valve and Throttle Lever Adjusting	3 761
WASHER, Clutch and Brake Pedal Shaft	0 837
WASHER, Clutch Fork Push Rod Adj	0 793
WASHER, Concealed Headlamp Control Opening Cover	2 765
WASHER, Differential Pinion Thrust	5 542
WASHER, Differential Side Gear Thrust	5 543
WASHER, Distributor	2 364
WASHER, Distributor Shaft Thrust and Gear	2 379
WASHER, Door Lock	10 571
WASHER, Door Outside Handle	10 529
WASHER, Door Weatherstrip	10 694

ALPHABETICAL INDEX

WASHER, Transmission Reverse Idler Gear Thrust	4 437
WASHER, Transmission Shift Control Cable	4 047
WASHER, Transmission Output Shaft or Carrier	4 175
WASHER, Transmission Output Shaft or Carrier	4 176
WASHER, Transmission Pressure Regulator and Oil Pump	4 216
WASHER, Transmission Housing	4 162
WASHER, Transmission Counter Gear	4 423
WASHER, Transmission Rear Servo	4 241
WASHER, Transmission Countergear Bearing	4 423
WASHER, Transmission Control Lever	4 012
WASHER, Transmission Gearshift Shaft	4 027
WASHER, Transmission Shift Control Lever	4 027
WASHER, Transmission Low Servo	4 228
WASHER, Transmission Governor	4 256
WASHER, Transmission Clutch	4 164
WASHER, Transmission Clutch	4 169
WASHER, Transmission Gearshift Lever Selector and Indicator	4 022
WASHER, Transmission Planet Carrier	4 176
WASHER, Transmission Control	4 012
WASHER, Transmission Shift Control Shaft	4 027
WASHER, Windshield Reveal Molding	10 093
WASHER, Windshield Wiper Access	10 130
WASHER, Windshield Wiper Motor Drive	10 151
WASHER, Windshield Wiper Motor	10 150
WEATHERSTRIP, Back Window Glass	11 207
WEATHERSTRIP, Bottom of Top Front Roof Rail to Windshield	14 060
WEATHERSTRIP, Cowl Ledge	12 801
WEATHERSTRIP, Cowl Top Vent Louver	12 800
WEATHERSTRIP, Door Ventilator	10 652
WEATHERSTRIP, Door Weatherstrip	10 694
WEATHERSTRIP, Folding Top Side Roof Rail-Front	14 120
WEATHERSTRIP, Folding Top Side Rail Center	14 190
WEATHERSTRIP, Folding Top Cover (On Side Belt Rail)	13 352
WEATHERSTRIP, Folding Top Side Roof Rail Rear	14 260
WEATHERSTRIP, Folding Top	14 340
WEATHERSTRIP, Hardtop	13 346
WEATHERSTRIP, Rear Compartment	12 269
WEATHERSTRIP, Roof Panel	12 810
WEATHERSTRIP, Windshield Glass	10 092
WEDGE, Back Window Glass	11 207
WEDGE, Steering Column	6 514
WEIGHT, Distributor	2 388
WEIGHT, Wheel Balance	5 805
WHEEL, Front or Rear	5 803
WHEEL, Steering	6 513
WICK, Generator Oil	2 301
WINDLACE, Carpet	15 294
WINDOW, Folding Top Back	13 389
WIRE, Back Up Lamp	2 697
WIRE, Battery(Negative)	2 341
WIRE, Body Wiring	13 090
WIRE, Chassis Wiring	2 480
WIRE, Door Window	10 777
WIRE, Engine Air Cooling(Electrical)	1 055
WIRE, Engine Wiring	2 525
WIRE, Horn	2 815
WIRE, Horn Lead	2 859
WIRE KIT, Spark or Glow Plug	2 239
WIRE, Outside Air	9 787
WIRE, Parking Lamp	2 596
WIRE, Radio and Speaker	9 656
WIRE, Radio Antenna	9 647
WIRE, Rear Window Defogger	9 778
WIRE, Spark Plug	2 240
WIRE, Transmission Converter	4 115
WIRE, Transmission Safety Starting Switch	4 054
WIRE, Transmission Smog Control	4 075
WIRE, Transmission Throttle Valve	4 275
WIRE, Windshield Wiper Motor	10 150
WORM, Steering Column	6 524
WRENCH, Wheel and Jack Wrench	8 821

Y

YOKE, Propeller Shaft Pinion	5 545
YOKE, Rear Axle Universal Joint	5 425
YOKE, Rear Wheel	5 806
YOKE, Steering Column	6 524
YOKE, Universal Joint	5 555

Z

ZZCHART, A.C. Refrigerant Lines	9 222
---------------------------------------	-------

MICROFICHE INDEX
GROUPS 4.000 THRU 5.000
FICHE 3 OF 6

<u>GROUP DESCRIPTION</u>	<u>STARTING GRID LOCATION</u>	
	<u>PARTS</u>	<u>ILLUSTRATIONS</u>
- INTRODUCTION	A-6	I-2
- GENERAL INFORMATION	A-2	I-2
- ALPHABETICAL INDEX	C-11	N.A.
- INDEX FOR ADDITIONAL INFORMATION	A-5	N.A.
4.000 TRANSMISSION - BRAKES	E-2	I-6
5.000 BRAKES - REAR AXLE - PROPELLER SHAFT - WHEELS .	H-7	L-19
- OUT OF FICHE CALLS	N.A.	N-16

E-1

PARTS

4



CHEVROLET CHASSIS GROUP 4.000



TRANSMISSION — BRAKES

ALPHABETICAL INDEX

A			
ACTUATOR, Transmission Parking Brake	4 290	BRACKET, Parking Brake Cable	4 785
ADAPTER, Speedometer Driven Gear	4 329	BRACKET, Transmission Control Switch	4 060
		BRACKET, Transmission Control Lever	4 011
		BRACKET, Transmission Control Lock Cable	4 070
		BRACKET, Transmission Detent Control	4 050
		BRACKET, Transmission Mounting	4 083
		BRACKET, Transmission Shift Control Cable	4 047
		BRACKET, Transmission Control Lock Cable	4 070
		BRACKET, Transmission Control Indicator	4 020
		BRACKET, Transmission Parking Brake	4 290
		BRACKET, Transmission Mounting	4 083
		BRACKET, Transmission Control Cable	4 047
		BRACKET, Transmission Control Lever	4 010
		BRACKET, Transmission Gearshift Hand Lever	4 010
		BRACKET, Transmission Gearshift Shaft	4 030
		BRACKET, Transmission Park Lock	4 220
		BRACKET, Transmission Control Lever	4 010
		BRACKET, Transmission Shift Control	4 030
		BRACKET, Transmission Support	4 083
		BRACKET, Transmission Control Lock Cable	4 070
		BUMPER, Power Brake Booster Reaction	4 934
		BUSHING, Brake Pedal	4 626
		BUSHING, Transmission Clutch	4 169
		BUSHING, Transmission Planet Carrier	4 176
		BUSHING, Transmission Oil Pump	4 203
		BUSHING, Transmission Rear Main Bearing	4 319
		BUSHING, Transmission Safety Starting Switch	4 054
		BUSHING, Transmission Extension	4 319
		BUSHING, Transmission Governor	4 256
		BUSHING, Transmission Extension	4 319
		BUSHING, Transmission Clutch(Low & Reverse)	4 180
		BUSHING, Transmission Sun Gear and Shaft	4 161
		BUSHING, Transmission Clutch	4 168
		BUSHING, Transmission Sun Gear	4 159
		BUSHING, Transmission Output Shaft or Carrier	4 175
		BUSHING, Transmission Clutch	4 169
		BUSHING, Transmission Case Extension	4 319
		BUSHING, Transmission Housing	4 162
		BUSHING, Transmission Oil Pump	4 226
		BUSHING, Transmission Output Shaft or Carrier	4 176
		BUSHING, Transmission Safety Starting Switch	4 054
		BUSHING, Transmission Control Rod To Lever	4 037
		BUSHING, Transmission Case	4 104
		BUSHING, Transmission Control Lever	4 008
		BUSHING, Transmission Input	4 158
		BUTTON, Transmission Gearshift Control (Hand)	4 006
		BUTTON, Transmission Control Lever	4 006
		C	
		CABLE KIT, Transmission to Speedometer	4 342
		CABLE, Parking Brake	4 779
		CABLE, Transmission to Speedometer	4 342
		CABLE, Transmission to Speedometer	4 342
		CABLE, Transmission to Speedometer	4 342
		CABLE, Transmission to Speedometer	4 342
		CABLE, Transmission Control Lock Cable	4 070
		CABLE, Transmission Detent Control	4 050
		CABLE, Transmission Shift Control Cable	4 047
		CAM, Transmission Clutch	4 167
		CAM, Transmission Shift Shaft Detent	4 311

ALPHABETICAL INDEX

CAP, Brake Master Cylinder	4 651	FITTING, Power Brake Booster(Vacuum)	4 931
CAP, Transmission Governor	4 256	FITTING, Speedometer Driven Gear	4 338
CARRIER, Transmission Output Shaft or Carrier	4 175	FLANGE, Transmission Oil	4 195
CARRIER, Transmission Planet	4 175	FLANGE, Transmission Low Sun Gear and Clutch	4 162
CASE KIT, Transmission Case	4 103	FLUID, Hydraulic Brake System	4 683
CASE, Transmission Case	4 103	FORK, Transmission Gearshift	4 303
CLAMP, Power Brake Booster(Vacuum)	4 930		
CLEVIS, Master Cylinder Adjusting	4 662	G	
CLEVIS, Transmission Control Rod To Lever	4 037	GASKET, Brake Master Cylinder	4 651
CLIP, Brake Hose or Pipe	4 686	GASKET KIT, Transmission Overhaul	4 005
CLIP, Speedometer Drive Gear	4 345	GASKET KIT, Transmission Control Valve	4 265
CLIP, Transmission to Speedometer	4 342	GASKET KIT, Transmission Overhaul	4 005
CLIP, Transmission Control Lock Cable	4 070	GASKET, Main Cylinder Outlet Fitting	4 661
CLIP, Transmission Detent	4 279	GASKET, Power Brake Booster(Vacuum)	4 931
CLIP, Transmission Oil Cooler	4 128	GASKET, Power Brake Booster	4 910
CLIP, Transmission Oil Pan	4 197	GASKET, Transmission Cover	4 109
CLIP, Transmission Throttle Valve Control	4 052	GASKET, Transmission Main Drive Gear Bearing Retainer	4 358
CLIP, Transmission Vacuum	4 205	GASKET, Transmission Rear Main Bearing	4 318
CLUTCH, Transmission Synchronizing	4 380	GASKET, Transmission Case	4 109
CLUTCH, Transmission Clutch	4 164	GASKET, Transmission Rear Main Bearing	4 318
CLUTCH, Transmission Clutch	4 164	GASKET, Transmission Control Valve	4 265
CLUTCH, Transmission Clutch(Low & Reverse)	4 180	GASKET, Transmission Oil Pan	4 196
CLUTCH, Transmission Synchronizing	4 380	GASKET, Transmission Oil Pump	4 226
CONNECTOR, Brake Hose or Pipe	4 686	GASKET, Transmission Rear Servo	4 241
CONNECTOR, Parking Brake Cable	4 785	GASKET, Transmission Main Valve Body	4 217
CONNECTOR, Transmission Control Valve	4 265	GASKET, Transmission Governor	4 256
CONNECTOR, Transmission Oil Cooler	4 128	GASKET, Transmission Oil Pump	4 203
CONNECTOR, Transmission Smog Control	4 075	GASKET, Transmission Oil Pan	4 197
CONNECTOR, Transmission Converter	4 115	GASKET, Transmission Governor	4 256
CONVERSION KIT, Transmission Clutch(Low & Reverse)	4 180	GASKET, Transmission Oil Pan	4 196
CONVERTER, Transmission Converter	4 115	GASKET, Transmission Vacuum	4 205
COOLER, Transmission Oil	4 128	GASKET, Transmission Oil Pump Suction	4 197
COVER, Brake and Clutch Pedal	4 630	GASKET, Transmission Main Drive Gear Bearing Retainer	4 358
COVER, Brake Cylinder and Pedal Shaft	4 648	GASKET, Transmission Extension	4 318
COVER, Brake Master Cylinder	4 651	GASKET, Transmission Servo	4 212
COVER KIT, Transmission Oil Pump	4 224	GATE, Transmission Gearshift Shaft	4 027
COVER, Parking Brake Lever Housing	4 612	GATE, Transmission Shift Control Lever	4 027
COVER, Transmission Case	4 105	GEAR KIT, Transmission Governor	4 256
COVER, Transmission Control Indicator	4 020	GEAR, Speedometer Drive	4 343
COVER, Transmission Case	4 105	GEAR, Speedometer Driven	4 337
COVER, Transmission Governor	4 256	GEAR, Speedometer Drive	4 343
COVER, Transmission Oil Pan	4 197	GEAR, Speedometer Driven	4 337
COVER, Transmission Oil Pump	4 224	GEAR, Transmission Countershaft	4 421
COVER, Transmission Oil Pump	4 203	GEAR, Transmission Countershaft	4 421
COVER, Transmission Rear Servo	4 241	GEAR, Transmission First and Reverse	4 417
COVER, Transmission Servo & Accumulator	4 228	GEAR, Transmission Governor	4 256
CUP, Brake Main Cylinder	4 654	GEAR, Transmission Input	4 158
CUP, Wheel Brake	4 667	GEAR, Transmission Main Drive	4 351
CYLINDER, Brake Master	4 650	GEAR, Transmission Main Drive (Clutch)	4 351
CYLINDER, Wheel Brake	4 665	GEAR, Transmission Reverse Idler	4 430
		GEAR, Transmission Reverse Idler	4 430
D		GEAR, Transmission Rear Internal Gear	4 187
DECAL, Transmission Control Lever Trim	4 017	GEAR, Transmission Rear Unit	4 187
DIAL, Transmission Control Indicator	4 020	GEAR, Transmission Second Speed	4 395
DIAPHRAGM, Brake Master Cylinder	4 651	GEAR, Transmission Speedometer Driven	4 337
DIAPHRAGM, Power Brake Booster(Vacuum)	4 922	GEAR, Transmission Speedometer Drive	4 343
DISC, Power Brake Booster Reaction	4 934	GEAR, Transmission Sun Gear	4 159
DRUM, Transmission Clutch	4 169	GEAR, Transmission Third Gear	4 415
		GEAR, Transmission 1st and Reverse Sliding	4 417
E		GOVERNOR KIT, Transmission Governor	4 256
ELBOW, Power Brake Booster(Vacuum)	4 931	GOVERNOR, Transmission Governor	4 256
EQUALIZER, Parking Brake Cable	4 765	GROMMET, Parking Brake Release	4 594
EXTENSION KIT, Transmission Rear Main	4 317	GROMMET, Power Brake Booster(Vacuum)	4 930
EXTENSION, Transmission Extension	4 317	GROMMET, Power Brake Booster Check(Vacuum)	4 955
EXTENSION, Transmission Rear	4 317	GROMMET, Transmission Oil Pan	4 197
EXTENSION, Transmission Rear Main	4 317	GROMMET, Transmission Control Rod To Lever	4 037
EXTENSION, Transmission Rear Main Bearing	4 317	GUIDE, Parking Brake Cable	4 785
		GUIDE, Parking Brake Release	4 594
F		GUIDE, Transmission Clutch	4 164
FILTER, Power Brake Booster	4 913	GUIDE, Transmission Oil Pump	4 226
FILTER, Transmission Oil Pan	4 197		

ALPHABETICAL INDEX

H

HANDLE, Parking Brake Apply Lever	4 592
HANDLE, Transmission Gearshift Control (Hand)	4 006
HANDLE, Transmission Control	4 006
HANDLE, Transmission Control Lever	4 006
HEAD, Power Brake Booster(Vacuum)	4 924
HOSE, Power Brake Booster(Vacuum)	4 931
HOSE, Transmission Vacuum	4 205
HOSE, Wheel Brake	4 680
HOUSING, Brake Cylinder and Pedal Shaft	4 648
HOUSING KIT, Transmission Clutch	4 169
HOUSING, Transmission Control Lever	4 010
HOUSING, Transmission Input	4 153
HOUSING, Transmission Servo & Accumulator	4 223
HOUSING, Transmission Clutch	4 169
HOUSING, Transmission Control Lever	4 010
HOUSING, Wheel Brake	4 665
HUB, Transmission Clutch	4 164

I

INDICATOR, Transmission Control Indicator	4 020
INDICATOR, Transmission Oil Filler	4 133
INSERT, Brake Hose	4 671
INSERT, Main Cylinder Outlet Fitting	4 661
INSERT, Transmission Control Lever Trim	4 017
INSULATOR, Wheel Cylinder	4 668
INTERLOCK, Transmission Gearshift Shaft	4 027

K

KEY, Speedometer Adapter	4 330
KEY, Speedometer Drive Adapter	4 330
KEY, Transmission Speedometer Drive	4 330
KEY, Transmission Synchronizing	4 384
KEY, Transmission Synchronizer	4 384
KNOB, Transmission Control Lever	4 006
KNOB, Transmission Control	4 006
KNOB, Transmission Gearshift Control (Hand)	4 006

L

LENS, Transmission Control Indicator	4 020
LEVER, Parking Brake Apply	4 591
LEVER, Transmission Control Lever	4 010
LEVER, Transmission Control Lever	4 006
LEVER, Transmission Control	4 045
LEVER, Transmission Control Lever	4 006
LEVER, Transmission Detent	4 279
LEVER, Transmission Gearshift	4 045
LEVER, Transmission Gearshift Shaft	4 030
LEVER, Transmission Manual Valve	4 218
LEVER, Transmission Shift Control	4 030
LEVER, Transmission Shift Control	4 004
LEVER, Transmission Throttle Valve	4 278
LEVER, Transmission Throttle Valve	4 275
LINK, Transmission Control Indicator	4 020
LINK, Transmission Detent	4 279
LINK, Transmission Throttle Valve	4 275
LINK, Wheel Cylinder to Brake Shoe Thrust	4 675
LOCK, Transmission Control Idler	4 042
LOCK, Transmission Main Drive Gear Bearing	4 356

M

MAGNET KIT, Transmission Case	4 105
MEMBER, Transmission Mounting	4 081
MODULATOR KIT, Transmission Vacuum	4 205
MODULATOR, Transmission Vacuum	4 205
MODULATOR, Transmission Vacuum	4 205

MOUNTING, Transmission Mounting	4 081
MOUNT, Transmission Mounting	4 081
MOUNT, Transmission Mounting	4 081

N

NUT, Transmission Band Adjusting	4 253
NUT, Transmission Control Indicator	4 022
NUT, Transmission Control Rod	4 037
NUT, Transmission Control Rod To Lever	4 037
NUT, Transmission Gearshift Rod	4 037
NUT, Transmission Main Drive Gear Bearing	4 356
NUT, Transmission Throttle Valve	4 275

O

O RING, Power Brake Booster(Vacuum)	4 924
OVERHAUL KIT, Transmission Overhaul	4 005

P

PAD, Brake and Clutch Pedal	4 630
PAN, Transmission Oil	4 195
PAWL, Transmission Park Lock	4 220
PAWL, Transmission Parking Brake	4 294
PEDAL, Brake Pedal	4 625
PINION KIT, Transmission Output Shaft or Carrier	4 175
PIN, Master Cylinder Adjusting	4 662
PIN, Transmission Converter	4 115
PIN, Transmission Control Valve	4 265
PIN, Transmission Control	4 008
PIN, Transmission Control Lever	4 008
PIN, Transmission Gearshift	4 307
PIN, Transmission Governor	4 256
PIN, Transmission Oil Pump	4 226
PIN, Transmission Oil Pump	4 203
PIN, Transmission Pressure Regulator and Oil Pump	4 216
PIN, Transmission Rear Servo	4 241
PIN, Transmission Reverse Idler Gear	4 435
PIN, Transmission Reverse Idler Shaft	4 435
PIN, Transmission Servo & Accumulator	4 228
PIN, Transmission Servo & Accumulator	4 229
PIN, Transmission Shift Shaft Detent	4 311
PIN, Transmission Shift Control Cable	4 047
PIN, Transmission Throttle Valve	4 275
PIPE, Transmission Case	4 104
PIPE, Transmission Oil Pan	4 197
PIPE, Transmission Oil	4 248
PIPE, Transmission Oil Cooler	4 128
PIPE, Transmission Vacuum	4 205
PISTON, Brake Master Cylinder Secondary	4 653
PISTON KIT, Power Brake Booster(Vacuum)	4 922
PISTON KIT, Transmission Clutch	4 166
PISTON, Power Brake Booster(Vacuum)	4 922
PISTON, Transmission Clutch	4 166
PISTON, Transmission Low Servo	4 228
PISTON, Transmission Clutch	4 166
PISTON, Transmission Servo & Accumulator	4 228
PISTON, Transmission Rear Servo	4 241
PISTON, Wheel Cylinder	4 668
PLATE, Brake and Clutch Pedal	4 630
PLATE, Power Brake Booster(Vacuum)	4 922
PLATE, Power Brake Booster	4 910
PLATE, Transmission Clutch	4 163
PLATE, Transmission Clutch(Low & Reverse)	4 180
PLATE, Transmission Control Valve	4 265
PLATE, Transmission Clutch Drive and Driven	4 163
PLATE, Transmission Control Indicator	4 020
PLATE, Transmission Control Selector	4 020
PLATE, Transmission Control Lever Trim	4 017
PLATE, Transmission Control Lever	4 015
PLATE, Transmission Control Lever Trim	4 017
PLATE, Transmission Counter Gear	4 423

ALPHABETICAL INDEX

PLATE, Transmission Control Lever 4 015
 PLATE, Transmission Gearshift Hand Lever
 (Floor Mounted) 4 017
 PLATE, Transmission Indicator Dial 4 020
 PLATE, Transmission Reverse Idler Gear Thrust 4 437
 PLATE, Transmission Rear Servo 4 241
 PLATE, Transmission Synchronizer 4 384
 PLATE, Transmission Shift Control Cable 4 047
 PLUG, Transmission Case 4 105
 PLUG, Transmission Case 4 105
 PLUG, Transmission Control Valve 4 265
 PLUG, Transmission Control Lever 4 008
 PLUG, Transmission Gearshift Control Hand
 Lever 4 008
 PLUG, Transmission Mainshaft 4 172
 PLUG, Transmission Oil Pump 4 224
 PLUG, Transmission Parking Brake 4 294
 PLUG, Transmission Pressure Regulator and Oil
 Pump 4 216
 PLUG, Transmission Shift Shaft Detent 4 311
 PLUG, Wheel Cylinder 4 666
 PLUNGER, Power Brake Booster(Vacuum) 4 918
 PLUNGER, Transmission Vacuum 4 205
 POPPET, Power Brake Booster Valve Body 1 940
 PULLEY, Parking Brake 4 790
 PUMP, Transmission Oil Supply 4 200

R

RACE, Transmission Clutch(Low & Reverse) 4 180
 RACE, Transmission Clutch 4 168
 REINFORCEMENT, Brake Pedal 4 634
 RELAY, Transmission Control Spark 4 075
 RELAY, Transmission Smog Control 4 075
 REPAIR KIT, Brake Master Cylinder 4 649
 REPAIR KIT, Power Brake Booster(Vacuum) 4 898
 REPAIR KIT, Wheel Brake 4 665
 REPAIR KIT, Wheel Brake 4 667
 RETAINER, Brake Pedal 4 634
 RETAINER, Cylinder Poppet 4 942
 RETAINER, Master Cylinder Adjusting 4 662
 RETAINER, Parking Brake Lever Housing 4 612
 RETAINER, Parking Brake Cable 4 785
 RETAINER, Parking Brake Cable 4 785
 RETAINER, Power Brake Booster 4 910
 RETAINER, Power Brake Booster(Vacuum) 4 922
 RETAINER, Power Brake Booster(Hydraulic) 4 810
 RETAINER, Power Brake Booster 4 913
 RETAINER, Speedometer Driven Gear 4 338
 RETAINER, Transmission Clutch 4 184
 RETAINER, Transmission Parking Brake 4 290
 RETAINER, Transmission 4 115
 RETAINER, Transmission Oil Pump 4 226
 RETAINER, Transmission Vacuum 4 205
 RETAINER, Transmission Clutch 4 167
 RETAINER, Transmission Throttle Valve 4 275
 RETAINER, Transmission Governor 4 256
 RETAINER, Transmission Rear Main 4 317
 RETAINER, Transmission Input and Turbine
 Shaft 4 123
 RETAINER, Transmission Main Drive Gear
 Bearing 4 356
 RETAINER, Transmission Control Lock Cable 4 070
 RETAINER, Transmission Control Lock Cable 4 070
 RETAINER, Transmission Synchronizing 4 383
 RETAINER, Transmission Control Indicator 4 022
 RETAINER, Transmission Control Lock Cable 4 070
 RETAINER, Transmission Control Lever 4 015
 RETAINER, Transmission Shift Control Shaft 4 027
 RETAINER, Transmission Main Drive Gear
 Bearing 4 356
 RETAINER, Transmission Control Indicator 4 020
 RETAINER, Transmission Gearshift Shaft 4 027
 RETAINER, Transmission Converter 4 115
 RETAINER, Transmission Control Switch 4 060
 RETAINER, Transmission Control Rod To Lever 4 037
 RETAINER, Transmission Clutch(Low & Reverse) 4 180
 RETAINER, Transmission Servo & Accumulator 4 233
 RETAINER, Transmission Clutch 4 169
 RETAINER, Transmission Output Shaft or Carrier
 Shaft 4 176
 RETAINER, Transmission Low Servo 4 228

RETAINER, Transmission Control Lock Cable 4 070
 RETAINER, Transmission Servo & Accumulator 4 228
 RETAINER, Transmission Rear Servo 4 246
 RETAINER, Vacuum Power Brake Cylinder Relay
 Valve 4 935
 RING GEAR, Transmission Output Shaft or
 Carrier 4 175
 RING KIT, Transmission Overhaul 4 005
 RING KIT, Transmission Rear Bearing and
 Mainshaft 4 412
 RING, Speedometer Driven Gear 4 338
 RING, Transmission Clutch 4 164
 RING, Transmission Clutch 4 168
 RING, Transmission Clutch 4 167
 RING, Transmission Clutch 4 163
 RING, Transmission Clutch 4 169
 RING, Transmission Clutch(Low & Reverse) 4 180
 RING, Transmission Gearshift Shaft 4 027
 RING, Transmission Governor 4 256
 RING, Transmission Housing 4 162
 RING, Transmission Input and Turbine Shaft 1 123
 RING, Transmission Low Servo 4 228
 RING, Transmission Mainshaft 4 172
 RING, Transmission Main Drive Gear Bearing
 Retainer 4 376
 RING, Transmission Oil Pump 4 226
 RING, Transmission Oil Pump 4 224
 RING, Transmission Output Shaft or Carrier 4 176
 RING, Transmission Output Shaft or Carrier 4 175
 RING, Transmission Pressure Regulator and Oil
 Pump 4 216
 RING, Transmission Reverse Servo 4 241
 RING, Transmission Rear Internal Gear 4 187
 RING, Transmission Rear Servo 4 242
 RING, Transmission Rear Bearing and Mainshaft 4 412
 RING, Transmission Reverse Idler Gear 4 435
 RING, Transmission Servo & Accumulator 4 229
 RING, Transmission Servo & Accumulator 4 228
 RING, Transmission Shift Control Shaft 4 027
 RING, Transmission Shift Control Lever 4 027
 RING, Transmission Synchronizer 4 384
 RING, Transmission Synchronizing 4 384
 RING, Transmission Synchronizer 4 383
 RING, Transmission Synchronizing 4 383
 RING, Wheel Cylinder 4 666
 RIVET, Transmission Pressure Regulator and Oil
 Pump 4 216
 ROD, Brake Pedal Push 4 658
 ROD, Power Brake Booster(Vacuum) 4 924
 ROD, Transmission Control 4 035
 ROD, Transmission Control Lever 4 006
 ROD, Transmission Control 4 035
 ROD, Transmission Gearshift Control (Hand) 4 006
 ROD, Transmission Safety Starting Switch 4 054
 ROD, Transmission Servo & Accumulator 4 228
 ROD, Transmission Throttle Valve 4 050
 ROLLER KIT, Transmission Clutch(Low &
 Reverse) 4 180
 ROLLER, Transmission Planet Carrier 4 176
 ROLLER, Transmission Manual Detent 4 293
 ROLLER, Transmission Mainshaft 4 352
 ROLLER, Transmission Clutch 4 167
 ROLLER, Transmission Countershaft Gear 4 422
 ROLLER, Transmission Mainshaft Front Pilot to
 Main Drive Gear 4 352

S

SCREEN KIT, Transmission Oil Pan 4 197
 SCREEN, Transmission Throttle Valve 4 265
 SCREEN, Transmission Oil 4 248
 SCREEN, Transmission Oil Pump 4 224
 SCREEN, Transmission Oil Pump Suction 4 197
 SCREW, Brake Cylinder and Pedal Shaft 4 648
 SCREW, Brake Main Cylinder 4 656
 SCREW, Transmission Control 4 012
 SCREW, Transmission Control Lever 4 012
 SCREW, Transmission Front Servo 4 226
 SCREW, Transmission Oil Pan 4 196
 SCREW, Transmission Oil 4 195
 SCREW, Transmission Oil Pump 4 203

ALPHABETICAL INDEX

SCREW, Transmission Oil Pump	4 226	SLEEVE, Transmission Gearshift	4 307
SCREW, Wheel Cylinder	4 668	SLEEVE, Transmission First And Reverse Gear Thrust	4 419
SEAL, Brake Cylinder and Pedal Shaft	4 648	SLEEVE, Transmission Oil Pump	4 224
SEAL KIT, Transmission Clutch	4 166	SLINGER, Transmission Main Drive Gear Bearing	4 374
SEAL KIT, Transmission Servo & Accumulator	4 229	SOLENOID, Transmission Solenoid	4 122
SEAL KIT, Transmission Oil Pump	4 226	SPACER, Brake Pedal	4 626
SEAL KIT, Transmission Oil Pump	4 203	SPACER, Parking Brake	4 790
SEAL KIT, Transmission Clutch	4 166	SPACER, Transmission Housing	4 162
SEAL, Parking Brake Cable	4 784	SPACER, Transmission Mainshaft Front Pilot to Main Drive Gear	4 353
SEAL, Parking Brake Lever Housing	4 612	SPACER, Transmission Mounting	4 085
SEAL, Power Brake Booster	4 910	SPACER, Transmission Pressure Regulator and Oil Pump	4 216
SEAL, Power Brake Booster(Vacuum)	4 918	SPACER, Transmission Mount and Support	4 085
SEAL, Power Brake Booster	4 845	SPACER, Transmission Counter Gear	4 423
SEAL, Power Brake Booster(Vacuum)	4 924	SPACER, Transmission Mainshaft Bearing	4 353
SEAL, Speedometer Driven Gear	4 338	SPACER, Transmission Oil Pump	4 226
SEAL, Transmission	4 115	SPRAG, Transmission Clutch	4 167
SEAL, Transmission Case	4 103	SPRAG, Transmission Clutch(Low & Reverse)	4 180
SEAL, Transmission Converter	4 115	SPRING, Brake Hose or Pipe	4 681
SEAL, Transmission Control Lever	4 015	SPRING, Brake Pull Back	4 760
SEAL, Transmission Control Lever Trim	4 017	SPRING, Power Brake Booster(Vacuum)	4 924
SEAL, Transmission Control Lever	4 015	SPRING, Transmission Control Lever	4 008
SEAL, Transmission Detent Control	4 050	SPRING, Transmission Clutch(Low & Reverse)	4 180
SEAL, Transmission Extension	4 318	SPRING, Transmission Shift Shaft Detent	4 311
SEAL, Transmission Front Servo	4 226	SPRING, Transmission Clutch	4 163
SEAL, Transmission Gearshift Shaft	4 027	SPRING, Transmission Pressure Regulator and Oil Pump	4 216
SEAL, Transmission Gearshift	4 107	SPRING, Transmission Shift Control Cable	4 047
SEAL, Transmission Governor	4 256	SPRING, Transmission Clutch	4 164
SEAL, Transmission Hand Lever (Floor Mounted)	4 015	SPRING, Transmission Synchronizing	4 413
SEAL, Transmission Internal Selector Shaft	4 313	SPRING, Transmission Oil Pump	4 226
SEAL, Transmission Internal Shift	4 302	SPRING, Transmission Clutch	4 167
SEAL, Transmission Input and Turbine Shaft	4 123	SPRING, Transmission Control Rod To Lever	4 037
SEAL, Transmission Main Drive Gear Bearing	4 354	SPRING, Transmission Control	4 008
SEAL, Transmission Manual Shaft	4 282	SPRING, Transmission Control Rod	4 037
SEAL, Transmission Oil Pan	4 197	SPRING, Transmission Shift Control Lever	4 027
SEAL, Transmission Oil Pump	4 226	SPRING, Transmission Shift Shaft Detent	4 311
SEAL, Transmission Oil Filler	4 133	SPRING, Transmission Synchronizing	4 413
SEAL, Transmission Oil Pump	4 203	SPRING, Transmission First And Reverse Gear Thrust	4 419
SEAL, Transmission Oil Filler	4 133	SPRING, Transmission Rear Bearing and Mainshaft	4 412
SEAL, Transmission Output Shaft or Carrier	4 176	SPRING, Transmission Gearshift Shaft	4 027
SEAL, Transmission Park Lock	4 220	SPRING, Transmission Throttle Valve	4 275
SEAL, Transmission Rear Servo	4 242	SPRING, Transmission Front Servo	4 233
SEAL, Transmission Rear Bearing Retainer	4 318	SPRING, Transmission Parking Brake	4 295
SEAL, Transmission Rear Main Bearing	4 318	SPRING, Transmission Gearshift Control Hand Lever	4 007
SEAL, Transmission Servo & Accumulator	4 229	SPRING, Transmission Main Valve	4 216
SEAL, Transmission Servo	4 212	SPRING, Transmission Servo & Accumulator	4 233
SEAL, Transmission Servo & Accumulator	4 228	SPRING, Transmission Rear Servo	4 246
SEAL, Transmission Shift Control Shaft	4 027	SPRING, Transmission Gearshift Rod	4 037
SEAL, Transmission Solenoid	4 122	SPRING, Transmission Vacuum	4 205
SEAL, Transmission Throttle Valve	4 278	SPRING, Transmission Clutch	4 164
SEAL, Transmission Throttle Valve	4 275	SPRING, Transmission Control Lever	4 027
SEAL, Transmission Vacuum	4 205	SPRING, Wheel Cylinder	4 669
SEAL, Wheel Brake	4 667	STOP, Transmission Pressure Regulator and Oil Pump	4 216
SEAT, Transmission Clutch	4 164	STUD, Transmission Throttle Valve Control	4 052
SEAT, Transmission Pressure Regulator and Oil Pump	4 216	SUPPORT, Power Brake Booster(Vacuum)	4 930
SEAT, Transmission Servo & Accumulator	4 233	SUPPORT, Transmission Housing	4 162
SHAFT, Brake Pedal	4 634	SUPPORT, Transmission Output Shaft or Carrier	4 175
SHAFT KIT, Transmission Parking Brake	4 294	SUPPORT, Transmission Control Lever	4 010
SHAFT KIT, Transmission Input and Turbine Shaft	4 123	SUPPORT, Transmission Control Valve	4 265
SHAFT, Power Brake Booster(Vacuum)	4 924	SWITCH, Brake Pressure Regulator	4 690
SHAFT, Transmission Countergear	4 428	SWITCH, Parking Brake Alarm	4 589
SHAFT, Transmission Gearshift	4 309	SWITCH, Transmission Smog Control	4 075
SHAFT, Transmission Gearshift Control Shifter	4 025	SWITCH, Transmission Control Spark	4 075
SHAFT, Transmission Internal Shift	4 302	SWITCH, Transmission Control	4 057
SHAFT, Transmission Input and Turbine Shaft	4 123	SWITCH, Transmission Safety Starting Switch	4 054
SHAFT, Transmission Mainshaft	4 172	SWITCH, Transmission Control Spark	4 075
SHAFT, Transmission Main	4 403	SWITCH, Transmission Safety Starting Switch	4 054
SHAFT, Transmission Main Drive	4 403	SWITCH, Transmission Converter	4 115
SHAFT, Transmission Output Shaft or Carrier	4 175	SWITCH, Transmission Control Valve	4 265
SHAFT, Transmission Parking Brake	4 294	SWITCH, Transmission Control Safety	4 054
SHAFT, Transmission Reverse Idler	4 433	SWIVEL, Transmission Control Rod To Lever	4 037
SHAFT, Transmission Reverse Idler	4 433	SWIVEL, Transmission Throttle Valve Control	4 052
SHAFT, Transmission Shift Control	4 025	SWIVEL, Transmission Safety Starting Switch	4 054
SHAFT, Transmission Sun Gear and Shaft	4 161	SWIVEL, Transmission Control Rod	4 037
SHAFT, Transmission Shifter Shaft	4 309	SWIVEL, Transmission Throttle Valve Control	4 052
SHAFT, Transmission Throttle Valve	4 275	SWIVEL, Transmission Safety Starting Switch	4 054
SHELL, Power Brake Booster(Vacuum)	4 906		
SHELL, Transmission Output Shaft or Carrier	4 175		
SHROUD, Transmission Control Lever	4 010		
SILENCER, Power Brake Booster	4 913		
SLEEVE KIT, Transmission Control Rod To Lever	4 037		
SLEEVE, Speedometer Driven Gear	4 338		
SLEEVE, Speedometer Driven Gear	4 338		

ALPHABETICAL INDEX

SWIVEL, Transmission Throttle Valve Control	4.052	WASHER, Transmission Low Servo	4.228
SWIVEL, Transmission Control Safety	4.054	WASHER, Transmission Governor	4.256
SYNCHRONIZER, Transmission Synchronizing	4.380	WASHER, Transmission Clutch	4.164
		WASHER, Transmission Clutch	4.169
T		WASHER, Transmission Gearshift Lever Selector and Indicator	4.022
TEE, Power Brake Booster(Vacuum)	4.931	WASHER, Transmission Planet Carrier	4.176
TEE, Transmission Vacuum	4.205	WASHER, Transmission Control	4.012
TRANSMISSION, Automatic	4.003	WASHER, Transmission Shift Control Shaft	4.027
TRANSMISSION, Manual (4 Speed)	4.003	WIRE, Transmission Converter	4.115
TUBE, Power Brake Booster(Vacuum)	4.930	WIRE, Transmission Safety Starting Switch	4.054
TUBE, Transmission Gearshift Control Shifter	4.025	WIRE, Transmission Smog Control	4.075
TUBE, Transmission Oil Filler	4.133	WIRE, Transmission Throttle Valve	4.275
TUBE, Transmission Oil Filler	4.133		
TUBE, Transmission Shift Control	4.025		
V			
VALVE, Brake Pressure Regulator	4.690		
VALVE KIT, Transmission Control Valve	4.265		
VALVE KIT, Transmission Main Valve	4.216		
VALVE KIT, Transmission Pressure Regulator and Oil Pump	4.216		
VALVE, Main Cylinder	4.657		
VALVE, Power Brake Booster Check(Vacuum)	4.955		
VALVE, Transmission Control Valve	4.265		
VALVE, Transmission Converter	4.115		
VALVE, Transmission Pressure Regulator and Oil Pump	4.216		
VALVE, Transmission Vacuum	4.205		
VALVE, Transmission Vacuum	4.205		
VALVE, Wheel Cylinder	4.666		
VANE, Transmission Oil Pump	4.226		
VENTILATOR, Transmission Case	4.104		
VENTILATOR, Transmission Case	4.104		
VENTILATOR, Transmission Case	4.104		
VENT, Transmission Case	4.104		
W			
WASHER, Brake Hose	4.671		
WASHER, Brake Master Cylinder Rod	4.659		
WASHER, Brake Pedal	4.634		
WASHER KIT, Transmission Low Sun Gear and Clutch	4.162		
WASHER, Master Cylinder Adjusting	4.662		
WASHER, Transmission Servo & Accumulator	4.233		
WASHER, Transmission Clutch	4.169		
WASHER, Transmission Control Indicator	4.022		
WASHER, Transmission Main Drive Gear Bearing Retainer	4.376		
WASHER, Transmission Clutch	4.164		
WASHER, Transmission Reverse Gear Thrust	4.419		
WASHER, Transmission First And Reverse Gear Thrust	4.419		
WASHER, Transmission Input	4.158		
WASHER, Transmission Reverse Idler Gear Thrust	4.437		
WASHER, Transmission Control Lever	4.012		
WASHER, Transmission Oil Pump	4.226		
WASHER, Transmission Control Valve	4.265		
WASHER, Transmission Reverse Idler Gear Thrust	4.437		
WASHER, Transmission Shift Control Cable	4.047		
WASHER, Transmission Output Shaft or Carrier	4.175		
WASHER, Transmission Output Shaft or Carrier	4.176		
WASHER, Transmission Pressure Regulator and Oil Pump	4.216		
WASHER, Transmission Housing	4.162		
WASHER, Transmission Counter Gear	4.423		
WASHER, Transmission Rear Servo	4.241		
WASHER, Transmission Countergear Bearing	4.423		
WASHER, Transmission Control Lever	4.012		
WASHER, Transmission Gearshift Shaft	4.027		
WASHER, Transmission Shift Control Lever	4.027		

3-SPEED MANUAL TRANSMISSION

4.005 BEARING KIT-GASKET KIT, Transmission Overhaul					
NOTE 1: CONSISTS OF 1 TRANSMISSION COVER GASKET, 1 CLUTCH GEAR BEARING RETAINER GASKET, 1 TRANSMISSION EXTENSION GASKET AND 1 O RING SEAL.					
NOTE 2: CONSISTS OF 1 TRANS. EXTENSION GASKET, 1 TRANS. COVER GASKET, 1 CLUTCH GEAR BEARING RETAINER GASKET, AND 1 O RING SEAL.					
66-70	Y	3888339	1	15.75	BEARING KIT, THRUST WA AND NEEDLE
55-65	Y	3719636	1	1.15	GASKET KIT (NOTE 1)
66-70	Y	3888338	1	2.15	GASKET KIT (NOTE 2)
4.006 HANDLE-KNOB, Transmission Control					
59-63	Y	3760085	1	37.00	HANDLE, W/CABLE, REV
55-62	Y	390749	1	5.65	KNOB (WHITE PLASTIC)
64-69	Y	3857160	1	9.35	KNOB, CONT LVR
4.008 PIN, Transmission Control Lever					
68-70	Y	3921634	1	.42	PIN, 1ST AND REV ROD CLEVIS
4.009 BRACKET-BRACKET KIT-HOUSING-SUPPORT, Transmission Control Lever					
66-67	Y	3888263	1	10.00	BRACKET, CONT LVR AND BRKT ADAP
64-69	Y	3936246	1	20.15	BRACKET KIT, CONT LVR
69-70	Y (EXC. T.W., TEL. W.)	7811390	1	29.25	HOUSING, STRG COL TRANS CONT LK TUBE
68-70	Y	334943	1	12.30	SUPPORT, CONT LVR AND BRKT
4.012 SCREW-WASHER, Transmission Control					
69-70	Y (EXC. T.W., TEL. W.)	7804407	1	.55	SCREW, STRG COL SHIFT LVR DETENT PLT
69-70	Y (EXC. T.W.)	7804447	1	6.80	WASHER, STRG COL SHIFT LVR HSG BRG WAVE
69	Y W/T.W.	3884595	1	.43	WASHER, STRG COL SUPT WAVE
69	Y W/T.W.	3886319	1	.77	WASHER, STRG COL SUPT THRUST
4.015 BOOT-PLATE-SEAL, Transmission Control Lever					
NOTE 1: USED WITH VINYL RING IN CARPET.					
68-70	Y	3919731	1	9.30	BOOT, CONT LVR, LWR
68-70	Y	3977797	1	17.45	BOOT, CONT LVR, UPR
77	Y	458352	1	28.00	BOOT, CONT LVR, UPR
68-70	Y	3922318	1	2.85	PLATE, CONT LVR LWR BOOT TAPPING
55-62	Y	3751130	1	3.95	SEAL, CONT LVR
63	Y	3823347	1	11.95	SEAL, CONT LVR
64-67	Y	3866183	1	6.85	SEAL, CONT LVR (NOTE 1)
4.017 PLATE, Transmission Control Lever Trim					
NOTE 1: IT MAY BE NECESSARY TO DRILL (2) .18 INCH HOLES IN RR CORNERS FOR ATTACHMENT & PLUG 2 EXISTING HOLES AT LETTERING LOCATION.					
NOTE 2: IT MAY BE NECESSARY TO CUT AND TAP A HOLE IN THE PLATE WHEN USED ON ELECTRIC WINDOW MODELS.					
56-62	Y	3728940	1	8.25	PLATE, LVR AND ASH TRAY TR
69	Y	3958741	1	3.70	PLATE, CNSL TR, ENG. SPEC. (350 CU. IN. -300 HP.)
4.020 PLATE, Transmission Indicator Dial					
56-62	Y	3739315	1	2.20	PLATE
63-67	Y	3848292	1	1.90	PLATE
68-70	Y	3918579	1	3.90	PLATE
4.025 SHAFT-TUBE, Transmission Shift Control					
64-70	Y	3841490	AR	4.75	SHAFT, SHIFTER LVR
69	Y W/TEL, T.W.	7805702	1	85.50	TUBE, CONT LK(4.025)
70	Y W/T.W.	7805702	1	85.50	TUBE, STRG COL TRANS CONT LK
4.027 RETAINER-RING-SEAL-WASHER, Transmission Shift Control Shaft					
65-69	Y	3841725	1	.87	RETAINER, CONT SHIFTER LVR SHAFT
69-70	Y W/T.W.	7804907	1	1.00	RING, SUPT AND SHIFT TUBE RET
74-78	Y	5696537	2	2.35	SEAL, TRANS SHFT LVR SHF OIL (6.52)
69-70	Y (EXC. T.W.)	7832112	1	.98	WASHER, SHIFT TUBE THRUST
4.030 BRACKET-LEVER, Transmission Shift Control					
64-70	Y	3846844	1	9.40	BRACKET, CONT SHIFTER LVR
68-70	Y	3841488	1	9.50	LEVER, CONT SHAFT (1ST AND 2ND)
68-69	Y	3850111	1	6.60	LEVER (2ND AND 3RD)

3-SPEED MANUAL TRANSMISSION

4.035		ROD, Transmission Control			
55-63	Y (8 CYL.)	3723128	1	3.90	ROD, 1ST AND REV. (15 3/32 DEV. LENGTH)
68-70	Y	339743	1	4.75	ROD, 2ND AND 3RD
4.037		NUT-SPRING-SWIVEL, Transmission Control Rod			
62-68	Y	3840137	1	.35	NUT, CONT. ROD CLEVIS (7/16-20) (4.253)
53-57	Y	371704	AR	.38	SPRING, ANTI-RATTLE, CONT. ROD (COIL TYPE)
64-67	Y	477721	AR	2.40	SWIVEL, CONT. ROD
4.052		CLIP-SWIVEL, Transmission Throttle Valve Control			
55-69	Y	3711177	AR	.62	CLIP, LWR AND UPR, FRT ROD (3.425)
65-67	Y	3700188	1	.59	CLIP, SPECIAL (3.425)
55-67	Y	3711199	AR	.62	SWIVEL, THROTTLE VLV CONT (USE W/1/4" ROD) (3.425)
4.054		BUSHING-ROD-SWITCH-SWIVEL, Transmission Safety Starting Switch			
69-70	Y	3954290	1	.38	BUSHING, CLU OPERATED NEU START SW
69-70	Y	3954299	1	2.95	HOD, CLU OPERATED NEU START SW
69-70	Y	1993495	1	20.10	SWITCH, CLU OPERATED NEU START
68-70	Y	348032	AR	1.95	SWIVEL, CONT. ROD
4.070		BRACKET-RETAINER, Transmission Control Lock Cable			
69-70	Y	3949078	1	3.75	BRACKET
62-65	Y	518213	AR	.30	RETAINER, TO FRAME FRT ANCHOR
63-70	Y	518213	AR	.30	RETAINER, FRT AND RR
4.075		RELAY-SWITCH, Transmission Control Spark			
<i>NOTE: SEE 2.408 GROUP FOR ELECTRICAL PARTS.</i>					
70	Y	3961573	1	6.15	RELAY, CONT SPARK
70	Y	3961567	1	5.95	SWITCH, CONT SPARK
4.081		MOUNTING, Transmission Mounting			
<i>NOTE 1: 3 3/4 BETWEEN CENTER LINES OF BOLT HOLES.</i>					
63	Y	3913498	1	9.75	MOUNTING, (NOTE 1)
64-70	Y	3913498	1	9.75	MOUNTING, SUPT
4.083		BRACKET, Transmission Support			
68-70	Y	3913877	LH	4.25	BRACKET, C/MBR
68-70	Y	3913878	RH	4.25	BRACKET, C/MBR
4.085		SPACER, Transmission Mounting			
69	Y W/SIDE MT. EXH.	3949179	1	1.60	SPACER
4.103		CASE, Transmission Case			
66-70	Y	471707	1	177.00	CASE, W/MAGNET
4.104		VENTILATOR, Transmission Case			
58-68	Y	8640496	1	1.00	VENTILATOR (5.387)
4.105		COVER-MAGNET KIT, Transmission Case			
70	Y	338287	1	32.25	COVER
55-64	Y	369122	1	7.35	MAGNET KIT, CASE CHIP COLLECTOR
4.109		GASKET, Transmission Cover			
55-65	Y	591513	1	.54	GASKET (FIBER)
66-70	Y	3858990	1	.70	GASKET
4.303		FORK, Transmission Gearshift			
55-58	Y (1ST DESIGN)	3846045	1	11.20	FORK, 1ST AND REV (LESS SHAFT) (HOLLOW DRILLED)
56-65	Y	3785217	1	5.85	FORK, 2ND AND 3RD (LESS SHAFT)
56-65	Y (2ND DESIGN)	3731918	1	12.55	FORK, 1ST AND REV (LESS SHAFT)
66-70	Y	3858997	AR	14.50	FORK, 1ST AND REV, 2ND AND 3RD
4.309		SHAFT, Transmission Gearshift			
<i>NOTE: USE ONE AS 1ST AND REVERSE SHIFT SHAFT ASM. USE ONE AS 2ND AND 3RD SHIFT SHAFT ASM.</i>					
64-65	Y	3840458	1	24.25	SHAFT, W/PLT, 2ND AND 3RD
68-69	Y	3932234	2	11.40	SHAFT (NOTE 1)
70	Y	3952649	1	12.55	SHAFT, 2ND AND 3RD

3-SPEED MANUAL TRANSMISSION

4.311		CAM-PIN-SPRING, Transmission Shift Shaft Detent		
66-70	Y	348399	AR 2.55	CAM, DETENT
66-70	Y	3831715	1 .42	PIN, DETENT CAM
66-69	Y (427)	3831718	1 .42	SPRING, DETENT CAM
4.313		SEAL, Transmission Internal Selector Shaft		
55-65	Y	3845164	2 .43	SEAL, O RING, RUBBER (7/16 I.D. X 17/32 O.D.)
66-70	Y	3844036	AR .36	SEAL, SHIFTER SHAFT (ALL LOCATIONS)
4.317		EXTENSION, Transmission Extension		
<i>NOTE 1: ON MODELS PRIOR TO 1963, IT WILL BE NECESSARY TO USE SPEEDOMETER FITTING 3748533 IN GROUP 4.338.</i>				
63-65	Y	3855709	1 56.75	EXTENSION, W/BSHG (CAST 3707195) (NOTE 1)
66-70	Y	360002	1 72.75	EXTENSION
4.318		GASKET-SEAL, Transmission Rear Main Bearing		
55-65	Y	3707172	1 .25	GASKET, EXT (5 HOLES 15/16" I.D.)
66-70	Y	3876752	1 .36	GASKET, EXT
55-63	Y (8 CYL.)	3932255	1 N.L.	SEAL, EXT OIL
66-70	Y	3932255	1 N.L.	SEAL, EXT OIL
4.319		BUSHING, Transmission Extension		
55-70	Y	6260048	1 1.55	BUSHING, EXT (1 1/2 I.D. X 1 5/8 O.D.)
4.329		ADAPTER, Speedometer Driven Gear		
<i>NOTE: FOR MODEL APPLICATION, USE SPEEDOMETER GEAR CHART AT THE END OF THE TRANSMISSION SECTION.</i>				
53-70	Y	3890575	1 53.25	ADAPTER (STAMPED .8319)
53-70	Y	3925673	1 36.00	ADAPTER (STAMPED 1.1111-V)
53-70	Y	3932220	1 32.75	ADAPTER (STAMPED .7333A)
4.330		KEY, Speedometer Drive Adapter		
53-65	Y	867209	1 2.76	KEY (ALSO INCLUDED W/ADAPTERS 1565811-12-13-14-1580273-3876)
4.337		GEAR, Speedometer Driven		
<i>NOTE: FOR USAGE APPLICATION, USE SPEEDOMETER GEAR CHART AT THE END OF GROUP 4.000.</i>				
56-60	Y W/3.70 AXLE	3708699	1 2.15	GEAR (22 TEETH) (NYLON) (SOLID GREEN)
61-66	Y W/3.08 AXLE	3987918	1 2.15	GEAR (6.70 X 15, 7.10 X 15, 7.75 X 15)
61-64	Y W/3.36 AXLE	3987920	1 2.05	GEAR (6.70 X 16)
61-64	Y W/3.70 AXLE	3860345	1 2.15	GEAR (6.70 X 15)
61-64	Y W/4.11 AXLE	3860347	1 2.25	GEAR (6.70 X 15)
63-64	Y W/3.55 AXLE	3860345	1 2.15	GEAR (6.70 X 15)
65	Y W/2.73	1359273	1 2.50	GEAR (7.75 X 15, 8.15 X 15) (BROWN-39 TEETH)
65-66	Y W/3.07 AXLE	3987918	1 2.15	GEAR (7.75 X 15)
65-66	Y W/3.36, 3.31 AXLE	3987920	1 2.05	GEAR (7.75 X 15, 8.15 X 15) (BLUE-20 TEETH)
65-66	Y W/3.55 AXLE	3860345	1 2.15	GEAR (7.75 X 15, 8.15 X 15)
65-66	Y W/4.10 AXLE	3860347	1 2.25	GEAR (7.75 X 15, 8.15 X 15) (YELLOW-24 TEETH)
67	Y W/2.73 AXLE	3987918	1 2.15	GEAR (8.15 X 15, 8.45 X 15) (BROWN-18 TEETH)
67	Y W/2.73 AXLE	3987919	1 2.05	GEAR (NATURAL-19 TEETH)
67	Y W/3.07 AXLE	3987918	1 2.15	GEAR (8.15 X 15, 8.45 X 15, 6.70 X 15)
67	Y W/3.07, 3.08 AXLE	3987919	1 2.05	GEAR (7.75 X 15)
67	Y W/3.08 AXLE	3987918	1 2.15	GEAR (8.15 X 15, 8.45 X 15)
67	Y W/3.31 AXLE	3987919	1 2.05	GEAR (8.45 X 15)
67	Y W/3.31 AXLE	3987920	1 2.05	GEAR (8.15 X 15)
67	Y W/3.36 AXLE	3987920	1 2.05	GEAR (8.15 X 15, 7.75 X 15, 8.45 X 15)
67	Y W/3.55 AXLE	3860345	1 2.15	GEAR (7.75 X 15, 8.15 X 15, 8.45 X 15)
67	Y W/3.70 AXLE	3860345	1 2.15	GEAR (7.75 X 15, 8.45 X 15)
67	Y W/3.73 AXLE	3860345	1 2.15	GEAR (8.15 X 15, 8.45 X 15) (GREEN-22 TEETH)
67	Y W/3.73 AXLE	3860346	1 1.90	GEAR (BLACK-23 TEETH)
67	Y W/4.10 AXLE	3860347	1 2.25	GEAR (8.15 X 15, 8.45 X 15)
67	Y W/4.10 AXLE	3860348	1 2.15	GEAR (7.75 X 15) (25 TEETH-ORANGE)
4.338		FITTING-RETAINER-SEAL-SLEEVE, Speedometer Driven Gear		
61-70	Y	3869914	1 5.80	FITTING, W/SEAL
55-70	Y (EXC. P/TRAC.)	3708148	1 .42	RETAINER, GEAR FITTING (9/16" I.D.)
55-70	Y	6264903	1 .40	SEAL, GEAR FITTING O RING, HOLE PLUG (11/16 I.D.)
68	Y W/P/TRAC.	1382294	1 8.80	SLEEVE, W/SEAL

WAREHOUSING AND DISTRIBUTION DIVISION OF GENERAL MOTORS CORPORATION — CHEVROLET—14A

REV. 12-83

4-3

4.311-4.338

3-SPEED MANUAL TRANSMISSION

4.342 CABLE-CABLE KIT , Transmission to Speedometer

NOTE 1: FOR MODELS REQUIRING MAXIMUM LENGTH OF 70", CUT TO REQUIRED LENGTH.

NOTE 2: FOR MODELS REQUIRING LENGTH OF 81" TO 145", CUT TO REQUIRED LENGTH.

53-70	Y	6480250	1	N.L.	CABLE, W/CASING (1428.5 MM)
53-70	Y	6480254	1	N.L.	CABLE, W/CASING (2025.0MM)
53-70	Y	6480373	1	N.L.	CABLE, W/CASING (SCREW ON) (56" TO 60")
55-57	Y (8 CYL.) (EXC. F.I. W/H I. CAM)	6480370	1	11.55	CABLE, W/CASING (SCREW ON) (40" CASING)
65-66	Y	6480249	1	N.L.	CABLE, W/CASING (1525MM)
65-69	Y	6480374	1	12.09	CABLE, W/CASING (68" CASING)
65-70	Y	6480375	1	23.60	CABLE, W/CASING (92 1/2")
68-70	Y	6480241	1	N.L.	CABLE, W/CASING LWR FLEX (300MM)
69-70	Y	6480230	1	N.L.	CABLE, W/CASING (41" TO 44")
53-70	Y	6477499	1	N.L.	CABLE KIT (LESS CASING) (70" LONG) (NOTE 1)
53-70	Y	6478825	1	10.15	CABLE KIT (LESS CASING) (NOTE 2)

4.343 GEAR , Speedometer Drive

55-62	Y W/3.08, 3.55 AXLE RATIO	3708144	1	4.90	GEAR (8.45 X 15) (8 TEETH)
56	Y (EXC. 3.27 AXLE RATIO)	3708145	1	6.25	GEAR (7.75 X 15 TIRES)
57-58	Y (EXC. 4.56 AXLE RATIO)	3708145	1	6.25	GEAR (7.75 X 15 TIRES)
57-58	Y W/3.70, 4.11 AXLE RATIO	3708144	1	4.90	GEAR (8.45 X 15) (8 TEETH)
59-62	Y W/3.55 RATIO	3708145	1	6.25	GEAR (7.75 X 15 TIRES)
63-65	Y W/3.08, 3.36 AXLE	3708144	1	4.90	GEAR (8.45 X 15) (8 TEETH)
66-67	Y W/3.07, 3.08, 3.31, 3.36, 3.55, 3.70 AXLE	3708144	1	4.90	GEAR (8.45 X 15) (8 TEETH)
66-67	Y W/3.31, 3.36, 3.55, 3.70, 3.73 AXLE	3708145	1	6.25	GEAR (7.75 X 15 TIRES)
66-67	Y W/3.55, 3.70, 3.73, 4.10, 4.89 AXLE	3708145	1	6.25	GEAR (7.75 X 15 TIRES)
66-67	Y W/3.70, 3.73, 4.10, 4.89 AXLE	3708145	1	6.25	GEAR (8.15 X 15 TIRES)
66-67	Y W/3.73, 4.10, 4.89 AXLE	3708145	1	6.25	GEAR (8.45 X 15 TIRES)

4.351 GEAR, Transmission Main Drive (Clutch)

66-70	Y	3859035	1	61.25	GEAR (19 TEETH)
-------	---	---------	---	-------	-----------------

4.352 ROLLER, Transmission Mainshaft Front Pilot to Main Drive Gear

53-65	Y	435844	14	.35	ROLLER, FRT PILOT BRG (3/16" DIA. X 33/64")
53-65	Y	7450247	24	.35	ROLLER, RR BRG (1/8" DIA. X 1/2")
66-70	Y	3743449	AR	.55	ROLLER (7/16 DIA. X 5/8)

4.353 SPACER, Transmission Mainshaft Front Pilot to Main Drive Gear

53-65	Y	591851	1	.35	SPACER, FRT ROLLER (11/16 I.D. X 1 O.D. X 7/64 THK)
53-65	Y	591852	1	.35	SPACER, RR ROLLER (7/8 I.D. X 11/16 O.D. X 7/64 THK)

4.354 SEAL, Transmission Main Drive Gear Bearing

66-70	Y	3987936	1	3.30	SEAL, RET OIL (1 1/4 I.D. X 1 3/4 O.D. X 17/32 THK-S TEEL)
-------	---	---------	---	------	--

4.355 BEARING, Transmission Main Drive Gear

55-79	Y	907930	1	44.65	BEARING, W/SNAP RING (SINGLE ROW) (ND47207)
66-70	Y	907929	1	N.L.	BEARING, W/SNAP RING (SINGLE ROW) (ND47507-51773A)

4.356 NUT -RETAINER , Transmission Main Drive Gear Bearing

53-65	Y	591150	1	5.50	NUT (1 3/8-12 L.H. THREAD)
58-62	Y	3741458	1	14.30	RETAINER (CAST 3741458) (4 11/16 O.D. X 3 3/16 O.L.)
63	Y	604932	1	12.75	RETAINER (4 3/16 O.D. X 3 3/16, W/4 HOLES 5/16 DIA.)
64-65	Y	3741458	1	14.30	RETAINER (CAST 3741458) (4 11/16 O.D. X 3 3/16 O.L.)
66-70	Y	3859032	1	16.50	RETAINER (4 3/4 O.D. X 3 1/4 O.L.)

4.358 GASKET, Transmission Main Drive Gear Bearing Retainer

63-65	Y	591022	1	.40	GASKET (11/32 DIA.)
66-70	Y	3918113	1	.70	GASKET

3-SPEED MANUAL TRANSMISSION

4.376 RING, Transmission Main Drive Gear Bearing					
53-70	Y	590849	1	.70	RING, LOCATING (2 11/16 I.D. X 2 23/32 O.D. X 1/16 TH K.)
66-70	Y	3709351	AR	.43	RING, RET(087 THK)
4.380 CLUTCH-SYNCHRONIZER, Transmission Synchronizing					
55-63	Y	3774720	1	99.25	CLUTCH, W/SYN, 2ND AND 3RD
64-65	Y	3848090	1	94.00	CLUTCH, W/SYN, 2ND AND 3RD
66-70	Y	3924786	1	75.50	SYNCHRONIZER, 1ST AND 2ND
4.383 RETAINER -RING, Transmission Synchronizing					
55-65	Y	3845202	2	.48	RETAINER (2 3/32" I.D.)
55-65	Y	3845039	2	9.50	RING (2 3/32" O.D. AT SMALL END)
66-70	Y	3859027	AR	N.L.	RING, BLOCKING
4.384 KEY-RING, Transmission Synchronizing					
66-70	Y	3871250	6	1.15	KEY, ALL CLUTCH
66-70	Y	3859025	2	.43	RING, ALL CLUTCH HUB RET
4.395 GEAR, Transmission Second Speed					
64-65	Y	3834224	1	55.25	GEAR, W/ENERGIZING SPRING
66-70	Y	3859019	1	49.25	GEAR (24 TEETH)
4.403 SHAFT, Transmission Main					
66-70	Y	468253	1	78.50	SHAFT
4.408 BEARING, Transmission Rear					
55-70	Y	907765	1	51.90	BEARING (ND47306-1961A)
4.412 RING-SPRING, Transmission Rear Bearing and Mainshaft					
NOTE 1: USE SELECTIVELY TO OBTAIN MINIMUM END PLAY.					
55-70	Y	3707174	1	.71	RING, RET (2 11/16" I.D.)
55-70	Y	3707189	1	.43	RING, SNAP (.089-.091 THICK) (NOTE 1)
66	Y	3911967	1	1.10	SPRING, 1ST AND REV, 2ND AND 3RD
4.413 SPRING, Transmission Synchronizing					
66-70	Y	368055	4	.67	SPRING, 1ST AND REV, 2ND AND 3RD
4.417 GEAR, Transmission 1st and Reverse Sliding					
55-63	Y	3725646	1	42.75	GEAR, 1ST AND REV (29T-16 SPLINE)
64-65	Y	3848091	1	42.75	GEAR, 1ST AND REV
66-70	Y	3859014	1	48.25	GEAR, 1ST SPEED
66-70	Y	3859015	1	48.25	GEAR, REV
4.419 WASHER, Transmission Reverse Gear Thrust					
66-70	Y	3869940	1	.78	WASHER, REV THRUST (1 3/16 I.D. X 2 13/32 O.D.)
66-70	Y	3884595	1	.43	WASHER, REV THRUST (1 7/32 I.D. X 1 27/32 O.D.) (WAVEY)
4.421 GEAR, Transmission Countershaft					
66-70	Y	3859038	1	87.50	GEAR (25 TEETH)
4.422 ROLLER, Transmission Countershaft Gear					
53-70	Y	435847	AR	.31	ROLLER, BRG (1/4" DIA. X 3/4" O.L.) (NOT USED W/BUSHED TYPE COUNTERGEAR)
4.423 WASHER, Transmission Countergear Bearing					
NOTE 1: WHEN USING IN PLACE OF STEEL WASHER, 3737814 WASHER MUST BE USED ON NEEDLE BEARING SIDE.					
54-63	Y	3740819	AR	1.40	WASHER (1 5/8" O.D.) (BRONZE) (NOTE 1)
66-70	Y	3859006	2	.57	WASHER, BRG (31/64 I.D. X 1 15/64 O.D.)
66-70	Y	3890565	2	1.60	WASHER, THRUST (1 1/64 I.D. X 1 3/8 O.D.)
4.428 SHAFT, Transmission Countergear					
54-65	Y	3707179	1	12.55	SHAFT (7/8 DIA X 7 1/8 O.L.) (FOR USE ONLY W/NEEDLE TYPE COUNTERGEAR)
66-70	Y	3859005	1	16.80	SHAFT (6 1/4 DIA. X 9 19/32 O.L.)
4.430 GEAR, Transmission Reverse Idler					
NOTE 1: THIS PART IS USED ON PAST MODELS WITH 15 OR 16 TEETH.					
53-57	Y	3830211	1	53.00	GEAR (NOTE 1)
64	Y	3834233	1	54.25	GEAR, W/BSHG

3-SPEED MANUAL TRANSMISSION

4.430		GEAR, Transmission Reverse Idler		(Con't)
66-70	Y	3859007	1	38.50 GEAR
4.433		SHAFT, Transmission Reverse Idler		
63-62	Y	3820058	1	9.15 SHAFT, W/OIL FLAT, USE W/BSHG
4.435		PIN, Transmission Reverse Idler Shaft		
63-85	Y	590832	1	.33 PIN, LK (1/4" TAPERED X 1 1/16" LENGTH)
4.437		BEARING-WASHER, Transmission Reverse Idler Gear Thrust		
69-65	Y	457202	1	2.40 BEARING, RR (TORRINGTON FA, 10077)
53-63	Y	591091	2	.40 WASHER, FRT (49/64 I.D.-4 NOTCHES X 1 1/4 O.D. X 1/32 THICK)
68-83	Y	3746442	1	.40 WASHER, RR
64	Y	591091	2	.40 WASHER, FRT (49/64 I.D.-4 NOTCHES X 1 1/4 O.D. X 1/32 THICK)

4-SPEED MANUAL TRANSMISSION

4.003 TRANSMISSION, Manual (4 Speed)

NOTE 1: 1979 1ST DESIGN MUNCIE, 1979 2ND DESIGN WARNER.

74-78	Y (CLOSE RATIO) (2ND DESIGN) . (2.73 AXLE RATIO)	485244	1	1112.00	TRANSMISSION (WARNER)
74-78	Y (EXC. CLOSE RATIO) (2ND DESIGN) . (2.73 AXLE RATIO)	474060	1	1112.00	TRANSMISSION (WARNER)
75-77	Y W/WARNER (EXC. CLOSE RATIO) (3.55 AXLE)	485243	1	1112.00	TRANSMISSION (WARNER)
77	Y (M20) W/3.08 RATIO	474060	1	1112.00	TRANSMISSION
78	Y (M20) (EXC. SP. H/PER.)	488233	1	881.00	TRANSMISSION (MUNCIE)
78	Y (M20) W/SP. H/PER.	465243	1	1112.00	TRANSMISSION (WARNER)
79	Y (M20) (EXC. SP. H/PER.) (2ND DESIGN)	14000360	1	1112.00	TRANSMISSION (CODE UH) (NOTE 1)
79	Y (M20) W/SP. H/PER.	14000360	1	1112.00	TRANSMISSION (CODE UH)
80	Y (M18)	14020828	1	1112.00	TRANSMISSION (CODE ZJ)
81	Y (M18)	14030831	1	1112.00	TRANSMISSION (CODE CC)

4.004 LEVER, Transmission Shift Control

NOTE 1: CONTAINS A BRACKET WITHOUT A SPRING.

NOTE 2: USE WITH WARNER BUILT TRANSMISSION.

NOTE 3: USE WITH CHEVROLET BUILT TRANSMISSION.

64-78	Y	3960609	1	135.00	LEVER, W/BRKT (NOTE 1,2)
77-81	Y	14012405	1	135.00	LEVER, W/BRKT (NOTE 1,3)

4.005 GASKET KIT, Transmission Overhaul

NOTE 1: CONSISTS OF 1-TRANS. COVER GASKET, 1-CLUTCH GEAR BRG. RET. GASKET, 1-FRONT, 1-REAR TRANS. REAR BRG. RET., 3-"O" RING SEALS, 1-OIL SEAL ASM.

NOTE 2: CONSISTS OF (1 EACH) GASKET REAR BEARING RETAINER FRONT, AND REAR, TRANS. COVER, CLUTCH GEAR BEARING RETAINER, AND (1) "O" RING SEAL.

NOTE 3: CONSISTS OF (1 EACH) GASKET BEARING RETAINER FRONT, AND REAR, TRANS. COVER, CLUTCH GEAR BEARING RETAINER.

57-63	Y	3840376	1	14.95	GASKET KIT (NOTE 1)
63-72	Y W/MUNCIE	3917783	1	6.00	GASKET KIT (NOTE 2)
74-80	Y W/WARNER	3960199	1	6.25	GASKET KIT (NOTE 3)
75-79	Y (M20)	3886338	1	2.15	GASKET KIT, W/SEALS

4.006 HANDLE-KNOB-LEVER, Transmission Control Lever

NOTE: IT MAY BE NECESSARY TO ENLARGE THE CABLE HOLE IN THE REVERSE RELEASE HANDLE TO 3/32 DIA.

NOTE 1: ON 4-SPD. TRANS. ASSEMBLIES, IT MAY BE NECESSARY TO USE LEVER ASM. 3863363 W/A THREAD LENGTH OF 5/64.

59-63	Y	3760085	1	37.00	HANDLE, W/CBL,REV
68-76	Y	3921642	1	8.60	HANDLE, CONT REV REL
77-81	Y	378187	1	11.25	HANDLE, CONT REV REL
64-81	Y	3857160	1	9.35	KNOB, CONT LVR(CHROME) (NOTE 1)
68-76	Y	3921638	1	69.00	LEVER, CONT
77-81	Y	378186	1	69.00	LEVER, CONT

4.008 PIN-SPRING, Transmission Control

64-74	Y	3845746	1	1.25	PIN, CONT LVR, LWR
64-81	Y	3859759	1	.83	PIN, LVR REV (1/4 I.D. X 45/64 O.L.)
68-76	Y	3921634	1	.42	PIN, 1ST AND 2ND
78	Y	385561	AR	3.80	PIN, CLEVIS
68-75	Y	3921641	1	.59	SPRING, REV REL RTN
76-81	Y	371757	1	.73	SPRING, REV REL RTN
81	Y	14030192	1	4.55	SPRING, CONT LVR

4.010 BRACKET-BRACKET KIT-HOUSING-SHROUD-SUPPORT, Transmission Control Lever

66-67	Y	3888263	1	10.00	BRACKET, CONT LVR AND BRKT ADAP
64-81	Y	3936246	1	20.15	BRACKET KIT, CONT LVR
69-70	Y (EXC. T.W., TEL. WHL.)	7811390	1	29.25	HOUSING, STRG COL TRANS CONT LK TUBE
71-73	Y (EXC. T.W., TEL. WHL.)	7812064	1	31.00	HOUSING, STRG COL GEARSHIFT LVR
77	Y (EXC. T&T WHL.)	7827227	1	16.15	SHROUD, HSG
77	Y (EXC. T&T WHL.)	7927228	1	16.15	SHROUD
78	Y (EXC. T&T WHL.)	7833436	1	14.90	SHROUD, STRG COL GLS BOWL
81	Y	7839625	1	23.45	SHROUD, STRG COL HSG
68-79	Y	334943	1	12.30	SUPPORT, CONT LVR AND BRKT
80-81	Y	475336	1	9.05	SUPPORT, CONT LVR AND BRKT

4.012 SCREW-WASHER, Transmission Control Lever

69-70	Y (EXC. T.W., TEL. WHL.)	7804407	1	.55	SCREW, STRG COL SHIFT LVR DETENT PLT
-------	--------------------------	---------	---	-----	--------------------------------------

4-SPEED MANUAL TRANSMISSION

4.012 SCREW-WASHER, Transmission Control Lever (Con't)

71-77	Y	7804407	1	55	SCREW, STRG COL SHIFT LVR DETENT PLT
77-82	Y W/T&T WHL.	7800639	1	55	SCREW, STRG COL SHIFT LVR DETENT PLT
80-81	Y	475335	3	55	SCREW, CONT LVR AND BRKT SUPT
69-77	Y (EXC. T.W., TEL. WHL.)	7804447	1	E 80	WASHER, STRG COL SHIFT LVR HSG BRG WAVE
69-73	Y W/T.W., TEL. WHL.	3884595	1	43	WASHER, STRG COL SUPT WAVE
69-75	Y W/T.W., TEL. WHL.	3886319	1	77	WASHER, STRG COL SUPT THRUST

4.015 BOOT-PLATE-SEAL, Transmission Control Lever

NOTE 1: USED WITH VINYL RING IN CARPET.

68-81	Y	3919731	1	9.30	BOOT, CONT LVR LWR
68-76	Y	3977797	1	17.45	BOOT, CONT LVR UPR
77-82	Y	458352	1	28.00	BOOT, CONT LVR UPR
68-75	Y	3922318	1	2.85	PLATE, CONT LVR LWR BOOT TAPPING
57-58	Y	3751130	1	3.95	SEAL, CONT LVR
59-62	Y	3757868	1	3.70	SEAL, CONT LVR (BLACK RUBBER)
63	Y	3822947	1	9.10	SEAL, CONT CVR
64-67	Y	3866183	1	6.85	SEAL, CONT LVR (NOTE 1)

4.017 DECAL-INSERT-PLATE, Transmission Control Lever Trim

NOTE 1: IT MAY BE NECESSARY TO DRILL (2) .18 INCH HOLES IN RR CORNERS FOR ATTACHMENT & PLUG 2 EXISTING HOLES AT LETTERING LOCATION.

NOTE 2: IT MAY BE NECESSARY TO CUT AND TAP A HOLE IN THE PLATE WHEN USED ON ELECTRIC WINDOW MODELS

NOTE 3: WHEN USED ON M.T., ALSO ORDER 461138 TRIM PLATE IN GROUP 4.020.

75-76	Y (EXC. SP. H/PER.)	367673	1	2.80	DECAL, TUN FRT CNSL TR PLT
75-76	Y W/SP. H/PER.	367671	1	2.80	DECAL, TUN FRT CNSL TR PLT
70-71	Y (EXC. A.C.)	3964123	1	28.25	INSERT, CNSL TR PLT
70-71	Y W/A.C.	3964126	1	28.25	INSERT, CNSL TR PLT
72-75	Y (EXC. A.C.)	333517	1	28.25	INSERT, CNSL TR PLT
72-75	Y W/A.C.	333518	1	28.25	INSERT, CNSL TR PLT
57-58	Y	3728940	1	8.25	PLATE, LVR AND ASH TRAY TR
59-62	Y	3757865	1	8.25	PLATE, LVR AND ASH TRAY TR
69	Y (350) (EXC. H/PER., SP. H/PER.)	3958741	1	3.70	PLATE, CNSL TR, ENG SPEC (300 HP.)
69-71	Y (350) W/H/PER.	3958744	1	1.95	PLATE, CNSL TR, ENG SPEC (350 HP.)
69	Y (427) W/3/2BC. H/PER.	3958743	1	2.10	PLATE, CNSL TR, ENG SPEC (400 HP.)
69	Y (427) W/SP. H/PER.	3958745	1	1.95	PLATE, CNSL TR, ENG SPEC (435 HP.)
69	Y (427) W/ALUMINUM HEAD	3958746	1	1.95	PLATE, CNSL TR, ENG SPEC (ZL1)
70	Y (350) W/SP. H/PER.	3958719	1	2.10	PLATE, CNSL TR, ENG SPEC (370 HP.)
71	Y (350) (EXC. SP. H/PER.)	3995090	1	1.95	PLATE, CNSL TR, ENG SPEC (270 HP.)
72-76	Y (EXC. A.C.)	3998818	1	33.75	PLATE, TUN FRT CNSL TR
72-76	Y W/A.C.	3998821	1	45.00	PLATE, TUN FRT CNSL TR
77-80	Y W/A.T. (M33, M38, MV4)	14002388	1	17.75	PLATE, U/B TUN FRT CNSL TR
78-79	Y W/M.T. (M18, M20, M21)	14033539	1	20.10	PLATE, U/B TUN FRT CNSL TR
80-81	Y	14058940	1	15.95	PLATE, U/B TUN FRT CNSL TR (NOTE 3)
81	Y	14048433	1	20.10	PLATE, U/B TUN FRT CNSL TR

4.020 PLATE, Transmission Control Selector

57-62	Y	3742510	1	2.20	PLATE
63-67	Y	3823432	1	3.80	PLATE
68-76	Y	3918589	1	3.90	PLATE
77-81	Y	461138	1	4.15	PLATE

4.025 SHAFT-TUBE, Transmission Gearshift Control Shifter

64-81	Y	3841490	AR	4.75	SHAFT, CONT LVR
69-76	Y W/T.W., TEL. WHL.	7805702	1	85.50	TUBE, STRG COL TRANS CONT LK

4.027 GATE-INTERLOCK-RETAINER-RING-SEAL-SPRING-WASHER, Transmission Gearshift Shaft

71-79	Y W/T.W., TEL. WHL.	7811592	1	3.75	GATE, STRG COL GEARSHIFT LVR
64-81	Y	3848845	1	3.05	INTERLOCK, CONT REV LVR
64-81	Y	3841725	1	.87	RETAINER, CONT SHIFTER LVR SHAFT
69-79	Y W/T.W., TEL. WHL.	7804907	1	1.00	RING, SUPT AND SHIFT TUBE RET
76-79	Y	5696537	2	2.35	SEAL, SHIFT LVR SHF OIL (6.525)
71-79	Y (EXC. T.W., TEL. WHL.)	7810567	1	2.20	SPRING, STRG COL TUBE RTN LWR
69-78	Y (EXC. T.W., TEL. WHL.)	7832112	1	.98	WASHER, SHIFT TUBE THRUST

4.030 BRACKET-LEVER, Transmission Gearshift Shaft

64-81	Y	3848844	1	9.40	BRACKET, CONT SHIFTER LVR
64-81	Y	3841487	1	7.90	LEVER, CONT SHAFT REV
64-81	Y	3841488	1	9.50	LEVER, CONT SHAFT (1ST AND 2ND)
64-81	Y	3850111	1	6.60	LEVER, CONT SHAFT (3RD AND 4TH)

4-SPEED MANUAL TRANSMISSION

4.032		BOLT, Transmission Control	
78	Y	336978 3	44 BOLT, SHFT SHAFT LVR (4 790)
4.035		ROD, Transmission Control	
NOTE 1: 1979 1ST DESIGN MUNCIE, 1979 2ND DESIGN WARNER.			
65-67	Y	3888265 1	6.85 ROD, 3RD AND 4TH
65-67	Y	3900986 1	12.00 ROD, 1ST AND 2ND
68-76	Y	339743 1	4.75 ROD, 3RD AND 4TH
68-73	Y	3921659 1	3.50 ROD, REV CONT
74-77	Y	339742 1	2.90 ROD, 1ST AND 2ND
74-77	Y	339745 1	2.95 ROD, REV CONT
77-81	Y (M18, M20, M21)	378177 1	6.85 ROD, 3RD AND 4TH
77-81	Y (M18, M20, M21)	378176 1	7.25 ROD, 1ST AND 2ND
78-79	Y (EXC. SP. H/PER.) (1ST DESIGN)	378179 1	6.85 ROD, REV CONT (NOTE 1)
78-79	Y W/SP. H/PER.	339745 1	2.95 ROD, REV CONT
79	Y (EXC. SP. H/PER.) (2ND DESIGN)	339745 1	2.95 ROD, REV CONT (NOTE 1)
80-81	Y (M18)	339745 1	2.95 ROD, REV CONT
4.037		BUSHING-CLEVIS-GROMMET-NUT-RETAINER-SLEEVE KIT- SPRING-SWIVEL, Transmission Control Rod To Lever	
74-81	Y	382102 1	.35 BUSHING, ROD TO LVR
75-76	Y	348033 1	4.55 CLEVIS
75	Y	1234418 1	1.30 GROMMET, CONT SHAFT LVR
62-81	Y (M18, M20, M21)	3840137 1	.35 NUT, CONT ROD CLEVIS (7/16-20) (4.253)
73-81	Y	3749084 AR	.49 RETAINER, CONT ROD OR CLU PUSH ROD
78-81	Y W/A.C.	1394293 4	.58 SLEEVE KIT, W/BUSH, A.C. CNDSR
57	Y	371704 AR	.38 SPRING, ANTI-RATTLE, CONT ROD (COIL TYPE)
64-70	Y	477721 AR	2.40 SWIVEL, CONT ROD REV
77-81	Y	378180 3	2.25 SWIVEL, SEL LVR ROD
4.045		LEVER, Transmission Control	
NOTE 1: 1979 1ST DESIGN MUNCIE, 1979 2ND DESIGN WARNER.			
65-67	Y	3884403 1	4.15 LEVER, 3RD AND 4TH
68	Y	3920730 2	3.50 LEVER, 1ST, 2ND, 3RD AND 4TH
69-73	Y	3949199 1	2.50 LEVER, 1ST AND 2ND, 3RD AND 4TH
69-73	Y	3960379 1	5.30 LEVER, REV
74-76	Y	339741 1	2.50 LEVER, 1ST AND 2ND, 3RD AND 4TH
74-77	Y W/H/PER.	339744 1	3.00 LEVER, REV
77	Y (M20, M21)	378203 1	2.00 LEVER, 1ST AND 2ND
77	Y (M20, M21)	378204 1	2.00 LEVER, 3RD AND 4TH
77	Y (M20, M21)	378205 1	2.55 LEVER, REV
78-79	Y (M20) (EXC. SP. H/PER.) (1ST DESIGN)	378181 1	1.85 LEVER, 3RD AND 4TH (NOTE 1)
78-79	Y (M20) (EXC. SP. H/PER.) (1ST DESIGN)	378182 1	1.85 LEVER, 1ST AND 2ND (NOTE 1)
78-79	Y (M20) (EXC. SP. H/PER.) (1ST DESIGN)	378183 1	2.70 LEVER, REV (NOTE 1)
78-79	Y (M20, M21) W/SP. H/PER.	378203 1	2.00 LEVER, 1ST AND 2ND
78-79	Y (M20, M21) W/SP. H/PER.	378204 1	2.00 LEVER, 3RD AND 4TH
78-79	Y (M20, M21) W/SP. H/PER.	378205 1	2.55 LEVER, REV
79	Y (M20) (EXC. SP. H/PER.) (2ND DESIGN)	378203 1	2.00 LEVER, 1ST AND 2ND (NOTE 1)
79	Y (M20) (EXC. SP. H/PER.) (2ND DESIGN)	378204 1	2.00 LEVER, 3RD AND 4TH (NOTE 1)
79	Y (M20) (EXC. SP. H/PER.) (2ND DESIGN)	378205 1	2.55 LEVER, REV (NOTE 1)
80-81	Y (M18)	378203 1	2.00 LEVER, 1ST AND 2ND
80-81	Y (M18)	378204 1	2.00 LEVER, 3RD AND 4TH
80-81	Y (M18)	378205 1	2.55 LEVER, REV
4.047		BRACKET, Transmission Control Cable	
82	Y	14038660 1	4.45 BRACKET, T.V. CONT CBL
4.052		CLIP-SWIVEL, Transmission Throttle Valve Control	
57-69	Y	3711177 AR	.62 CLIP, LWR AND UPR, FRT ROD (3.425)
65-67	Y	3700188 1	.59 CLIP, SPECIAL (3.425)
57-67	Y	3711199 AR	.62 SWIVEL (USE W/1/4" ROD) (3.425)
4.054		BUSHING-ROD-SWITCH-SWIVEL-WIRE, Transmission Safety Starting Switch	
NOTE 1: ANTI-THEFT SWITCH MOUNTED IN FENDER.			
NOTE 2: ANTI-THEFT SWITCH MOUNTED IN SIDE DOOR LOCK.			

4-SPEED MANUAL TRANSMISSION

4.054 BUSHING-ROD-SWITCH-SWIVEL-WIRE, Transmission Safety Starting Switch (Con't)

69-79	Y	3954290	2	.38	BUSHING, CLU OPER NEU START SW
69-81	Y	3954299	1	2.95	ROD, CLU OPER NEU START SW
69-81	Y	1993495	1	20.10	SWITCH, CLU OPER NEU START
65-67	Y	348032	1	1.95	SWIVEL, CONT 3RD AND 4TH
65-67	Y W/H.D. 4-SPD.	348032	1	1.95	SWIVEL, CONT ROD
68-76	Y	348032	AR	1.95	SWIVEL, CONT ROD
74-77	Y (1ST DESIGN)	6297662	1	9.25	WIRE, NEU SAF SW (NOTE 1)
77-78	Y (2ND DESIGN)	12006383	1	33.50	WIRE, NEU SW AND B/U LP JPR (NOTE 2)

4.070 BRACKET-CABLE -CLIP-RETAINER, Transmission Control Lock Cable

69-73	Y	3960696	1	.81	BRACKET
74-76	Y	339746	1	.74	BRACKET
77-82	Y	3949076	1	3.75	BRACKET, STRG COL LWR MT
69-75	Y	3949074	1	19.50	CABLE (30 15/16")
69-75	Y	3960620	1	.75	CLIP
62-66	Y	516213	AR	.30	RETAINER (TO FRAME FRT ANCHOR)
63-71	Y	516213	AR	.30	RETAINER, FRT AND RR (4.785)

4.075 RELAY-SWITCH, Transmission Control Spark

70	Y	3961573	1	6.15	RELAY, CONT SPARK
71	Y	3990842	1	5.25	RELAY, CONT SW REV
71	Y	3990843	1	6.40	RELAY, CONT SW DELAY
72-76	Y	3961573	1	6.15	RELAY, SEAT BELT WRNG AND PARK BRK
72	Y	3996297	1	7.90	RELAY, CONT VAC ADVANCE DELAY
73-74	Y	6270898	1	4.35	RELAY, CONT SPARK DELAY
70-71	Y	3961567	1	5.95	SWITCH, CONT SPARK
72-74	Y	3996286	1	5.80	SWITCH, CONT SPARK

4.081 MOUNT, Transmission Mounting

NOTE 1: 3 3/4 BETWEEN CENTER LINES OF BOLT HOLES.

63	Y	3913498	1	9.75	MOUNT, (NOTE 1)
64-81	Y	3913498	1	9.75	MOUNT

4.083 BRACKET, Transmission Mounting

68-79	Y	3913877	LH	4.25	BRACKET, C/MBR
68-79	Y	3913878	RH	4.25	BRACKET, C/MBR
74-79	Y	3913882	1	6.55	BRACKET, SUPT (0.029)

4.085 BOLT-SPACER, Transmission Mount and Support

63-79	Y	454467	AR	.79	BOLT, HEX (3/8-16 X 1-3/4 300M)
64-79	Y	1254879	AR	.54	BOLT, HEX (M10 X 1.5 X 50 GRD 9.8 PC)
69	Y W/SIDE MTD EXH.	3949179	1	1.60	SPACER, MT

4.103 CASE-SEAL, Transmission Case

64-66	Y W/4-SPD. (EXC. H.D.)	3851324	1	158.00	CASE, W/PLUGS
65	Y W/H.D. 4-SPD.	3925659	1	175.00	CASE, W/PLUGS
66-74	Y W/MUNCIE	3925659	1	175.00	CASE, W/PLUGS
74-79	Y (M20, M21) W/SP H/PER	6260710	1	208.00	CASE
77-79	Y (M20) (EXC. SP. H/PER) (1ST DESIGN)	3925654	1	109.00	CASE, W/MAGNET (MUNCIE)
79	Y (M20) (EXC. SP. H/PER.) (2ND DESIGN)	6260710	1	208.00	CASE (WARNER #13-04-065-003)
80-81	Y (M18)	6260710	1	208.00	CASE
74-79	Y (350) (M20, M21) W/SP H/PER	5696537	1	2.35	SEAL, 1-2 & 3-4 SHFT LVR SHF (6.525)
79	Y (350) (M20) (EXC SP H/PER) (2ND DES)	5696537	1	2.35	SEAL, 1-2 & 3-4 SHFT LVR SHF (WARNER) (6.525)
80-81	Y (M18)	5696537	1	2.35	SEAL, 1-2 & 3-4 SHFT LVR SHF (6.525)

4.104 VENTILATOR, Transmission Case

74-80	Y	3738462	1	.70	VENTILATOR, EXT (5.387)
-------	---	---------	---	-----	-------------------------

4.105 COVER-PLUG, Transmission Case

NOTE 1: WHEN USING ON MODELS WITHOUT BACK-UP LAMP SWITCH IN TRANS. COVER, PLUG HOLE WITH 3906448 PLUG.

NOTE 2: 1979 1ST DESIGN MUNCIE, 1979 2ND DESIGN WARNER.

63-74	Y	3977818	1	23.75	COVER
74-79	Y (M20, M21) W/SP. H/PER.	360811	1	45.75	COVER
77-79	Y (M20) (EXC SP. H/PER.) (1ST DESIGN-1979)	462225	1	23.75	COVER, W/PIN (NOTE 1...2)

4-SPEED MANUAL TRANSMISSION

4.105 COVER-PLUG, Transmission Case (Con't)

79	Y (M20) (EXC. SP. H/PER.) (2ND DESIGN)	360811	1	45.75	COVER, (NOTE 2)
80-81	Y (M18)	360811	1	45.75	COVER
85-81	Y (M18)	3968034	2	2.05	PLUG, TRANS DRN (MAGNETIC)

4.107 SEAL, Transmission Gearshift

NOTE 1: 1979 1ST DESIGN MUNCIE

83-74	Y (M20) (EXC. SP. H/PER.)	3831716	1	1.15	SEAL, REV SHAFT
63-74	Y (M20) (1ST DESIGN)	3831716	1	1.15	SEAL, SHAFT (ALL POSITIONS)
77-79	Y (M20) (EXC. SP. H/PER.) (1ST DESIGN)	3844036	1	.36	SEAL, SHAFT (ALL POSITIONS)
77-79	Y (M20) (EXC. SP. H/PER.) (1ST DESIGN)	6255517	1	.36	SEAL, REV SHAFT (NOTE 1)

4.109 GASKET, Transmission Case

NOTE 1: 1979 1ST DESIGN MUNCIE, 1979 2ND DESIGN WARNER

83-74	Y W/MUNCIE	3831705	1	.42	GASKET
74-79	Y (M20, M21) W/SP. H/PER.	3709316	1	.59	GASKET (WARNER 3-188)
75-79	Y (M20) (EXC. SP. H/PER.) (1ST DESIGN)	3858990	1	.70	GASKET (NOTE 1)
79	Y (M20) (EXC. SP. H/PER.) (2ND DESIGN)	3709316	1	.59	GASKET (WARNER 3-188) (NOTE 1)
80-81	Y (M18)	3709316	1	.59	GASKET (WARNER 3-188)

4.302 SEAL-SHAFT, Transmission Internal Shift

NOTE 1: 1979 1ST DESIGN MUNCIE, 1979 2ND DESIGN WARNER

74-79	Y (M20, M21) W/SP. H/PER.	6260717	1	.50	SEAL, LVR SHAFT OIL
79	Y (M20) (EXC. SP. H/PER.) (2ND DESIGN)	6260717	1	.50	SEAL, LVR SHAFT OIL (NOTE 1)
80-81	Y (M18)	6260717	1	.50	SEAL, LVR SHAFT OIL
74-79	Y (M20, M21) W/SP. H/PER.	360088	1	24.25	SHAFT, 3RD AND 4TH SHIFT
74-76	Y W/WARNER	360087	1	21.85	SHAFT, 1ST AND 2ND SHIFT
77-79	Y (M20, M21) W/SP. H/PER.	474031	1	26.75	SHAFT, 1ST AND 2ND SHIFT (WARNER 13-04-598-012)
79	Y (M20) (EXC. SP. H/PER.) (2ND DESIGN)	360088	1	24.25	SHAFT, 3RD AND 4TH SHIFT (NOTE 1)
79	Y (M20) (EXC. SP. H/PER.) (2ND DESIGN)	474031	1	26.75	SHAFT, 1ST AND 2ND SHIFT (WARNER 13-94-598-012) (NOTE 1)
80-81	Y (M18)	360088	1	24.25	SHAFT, 3RD AND 4TH SHIFT
80	Y (M18)	474031	1	26.75	SHAFT, 1ST AND 2ND SHIFT

4.303 FORK, Transmission Gearshift

NOTE 1: 1979 1ST DESIGN MUNCIE, 1979 2ND DESIGN WARNER

57-83	Y W/WARNER	360088	AR	22.75	FORK, 1ST AND 2ND, 3RD AND 4TH (WARNER T10-23)
57-83	Y W/WARNER	3743478	1	17.00	FORK, REV. (WARNER T10-24)
63-74	Y W/MUNCIE	3831717	2	26.00	FORK, 1ST AND 2ND, 3RD AND 4TH
67-74	Y W/MUNCIE	3832786	1	16.65	FORK, REV SHIFTER
74-79	Y (M20, M21) W/SP. H/PER.	3743478	1	17.00	FORK, REV (WARNER T10-24)
74	Y W/WARNER	360088	AR	22.75	FORK, 1ST AND 2ND, 3RD AND 4TH (WARNER T10-23)
75-79	Y (M20, M21) W/SP. H/PER.	360088	1	22.75	FORK, 1ST, 2ND, 3RD, 4TH
77-79	Y (M20) (EXC. SP. H/PER.) (1ST DESIGN 1979)	3858997	1	14.50	FORK, 3RD AND 4TH SHFT (NOTE 1)
77-79	Y (M20) (EXC. SP. H/PER.) (1ST DESIGN 1979)	3884610	1	14.50	FORK, 1ST AND 2ND SHFT (NOTE 1)
79	Y (M20) (EXC. SP. H/PER.) (2ND DESIGN)	360088	1	22.75	FORK, 1ST, 2ND, 3RD, 4TH (NOTE 1)
79	Y (M20) (EXC. SP. H/PER.) (2ND DESIGN)	3743478	1	17.00	FORK, REV (WARNER T10-24) (NOTE 1)
80-81	Y (M18)	360088	1	22.75	FORK, 1ST, 2ND, 3RD, 4TH
80-81	Y (M18)	3743478	1	17.00	FORK, REV.

4.307 PIN-SLEEVE, Transmission Gearshift

NOTE 1: 1979 1ST DESIGN MUNCIE, 1979 2ND DESIGN WARNER

58-83	Y	3709315	1	.55	PIN, INTL RLOCK (1/4 X 5/16)
74-79	Y (M20, M21) W/SP. H/PER.	3709315	1	.55	PIN, INTERLOCK (1/4 X 5/16)
79	Y (M20) (EXC. SP. H/PER.) (2ND DESIGN)	3709315	1	.55	PIN, INTERLOCK (1/4 X 5/16) (NOTE 1)
80-81	Y (M18)	3709315	1	.55	PIN, INTERLOCK (1/4 X 5/16)
74-79	Y (M20, M21) W/SP. H/PER.	360089	1	3.00	SLEEVE, INTERLOCK (1.01025 OL)
74-79	Y (M20, M21) W/SP. H/PER.	360090	1	3.00	SLEEVE, INTERLOCK (1.01175 OL)
74-79	Y (M20, M21) W/SP. H/PER.	360091	1	3.00	SLEEVE, INTERLOCK (1.01325 OL)
74-79	Y (M20, M21) W/SP. H/PER.	360092	1	3.00	SLEEVE, INTERLOCK (1.01475 OL)

4-SPEED MANUAL TRANSMISSION

4.307		PIN-SLEEVE, Transmission Gearshift (Con't)			
74-79	Y (M20, M21) W/SP. H/PER.	360093	1	3.00	SLEEVE, INTERLOCK (1.01625 OL)
74-79	Y (M20, M21) W/SP. H/PER.	360094	1	3.00	SLEEVE, INTERLOCK (1.01775 OL)
74-79	Y (M20, M21) W/SP. H/PER.	360095	1	3.00	SLEEVE, INTERLOCK (1.01925 O.L.)
74-79	Y (M20, M21) W/SP. H/PER.	360096	1	3.00	SLEEVE, INTERLOCK (1.02075 O.L.)
74-79	Y (M20, M21) W/SP. H/PER.	360097	1	3.00	SLEEVE, INTERLOCK (1.02225 O.L.)
74-79	Y (M20, M21) W/SP. H/PER.	360098	1	3.00	SLEEVE, INTERLOCK (1.02375 O.L.)
77-79	Y (M20, M21) W/SP. H/PER.	474032	AR	3.40	SLEEVE, INTERLOCK (WARNER 13-04-103-012)
77-79	Y (M20, M21) W/SP. H/PER.	474033	AR	3.40	SLEEVE, INTERLOCK (WARNER 13-04-103-013)
79	Y (M20) (EXC. SP. H/PER.) (2ND DESIGN)	360089	1	3.00	SLEEVE, INTERLOCK (1.01025 OL) (NOTE 1)
79	Y (M20) (EXC. SP. H/PER.) (2ND DESIGN)	360090	1	3.00	SLEEVE, INTERLOCK (1.01175 OL) (NOTE 1)
79	Y (M20) (EXC. SP. H/PER.) (2ND DESIGN)	360091	1	3.00	SLEEVE, INTERLOCK (1.01325 OL) (NOTE 1)
79	Y (M20) (EXC. SP. H/PER.) (2ND DESIGN)	360092	1	3.00	SLEEVE, INTERLOCK (1.01475 OL) (NOTE 1)
79	Y (M20) (EXC. SP. H/PER.) (2ND DESIGN)	360093	1	3.00	SLEEVE, INTERLOCK (1.01625 OL) (NOTE 1)
79	Y (M20) (EXC. SP. H/PER.) (2ND DESIGN)	360094	1	3.00	SLEEVE, INTERLOCK (1.01775 OL) (NOTE 1)
79	Y (M20) (EXC. SP. H/PER.) (2ND DESIGN)	360095	1	3.00	SLEEVE, INTERLOCK (1.01925 OL) (NOTE 1)
79	Y (M20) (EXC. SP. H/PER.) (2ND DESIGN)	360096	1	3.00	SLEEVE, INTERLOCK (1.02075 OL) (NOTE 1)
79	Y (M20) (EXC. SP. H/PER.) (2ND DESIGN)	360097	1	3.00	SLEEVE, INTERLOCK (1.02225 OL) (NOTE 1)
79	Y (M20) (EXC. SP. H/PER.) (2ND DESIGN)	360098	1	3.00	SLEEVE, INTERLOCK (1.02375 OL) (NOTE 1)
79	Y (M20) (EXC. SP. H/PER.) (2ND DESIGN)	474032	AR	3.40	SLEEVE, INTERLOCK (WARNER 13-94-103-012) (NOTE 1)
79	Y (M20) (EXC. SP. H/PER.) (2ND DESIGN)	474033	AR	3.40	SLEEVE, INTERLOCK (WARNER 13-04-103-012) (NOTE 1)
80-81	Y (M18)	360089	1	3.00	SLEEVE, INTERLOCK (1.01025 OL)
80-81	Y (M18)	360090	1	3.00	SLEEVE, INTERLOCK (1.01175 OL)
80-81	Y (M18)	360091	1	3.00	SLEEVE, INTERLOCK (1.01325 OL)
80-81	Y (M18)	360092	1	3.00	SLEEVE, INTERLOCK (1.01475 OL)
80-81	Y (M18)	360093	1	3.00	SLEEVE, INTERLOCK (1.01625 OL)
80-81	Y (M18)	360094	1	3.00	SLEEVE, INTERLOCK (1.01775 OL)
80-81	Y (M18)	360095	1	3.00	SLEEVE, INTERLOCK (1.01925 OL)
80-81	Y (M18)	360096	1	3.00	SLEEVE, INTERLOCK (1.02075 OL)
80-81	Y (M18)	360097	1	3.00	SLEEVE, INTERLOCK (1.02225 OL)
80-81	Y (M18)	360098	1	3.00	SLEEVE, INTERLOCK (1.02375 OL)
80-81	Y (M18)	474032	AR	3.40	SLEEVE, INTERLOCK (WARNER 12-94-103-012)
80-81	Y (M18)	474033	AR	3.40	SLEEVE, INTERLOCK (WARNER 13-04-103-012)

4.309 SHAFT, Transmission Shifter Shaft

NOTE 1: 1979 1ST DESIGN MUNCIE, 1979 2ND DESIGN WARNER.

69-74	Y W/MUNCIE	3950312	1	17.85	SHAFT, REV SHAFT
69-74	Y W/MUNCIE	3952649	AR	12.55	SHAFT, 1ST AND 2ND, 3RD AND 4TH
74-79	Y (M20, M21) W/SP. H/PER.	6260716	1	16.85	SHAFT, REV SHIFTER (WARNER 13-04-598-003)
77-79	Y (M20) (EXC. SP. H/PER.) (1ST DESIGN)	342423	1	18.05	SHAFT, 1ST AND 2ND SHFT (NOTE 1)
77-79	Y (M20) (EXC. SP. H/PER.) (1ST DESIGN)	342426	1	17.25	SHAFT, REV SHFT (NOTE 1)
77	Y W/MUNCIE	376214	1	18.40	SHAFT, 3RD AND 4TH SHAFT
78-79	Y (M20) (EXC. SP. H/PER.) (1ST DESIGN)	376214	1	18.40	SHAFT, 3RD & 4TH (NOTE 1)

4-SPEED MANUAL TRANSMISSION

4.309 SHAFT, Transmission Shifter Shaft (Con't)

79	Y (M20) (EXC. SP. H/PER.) (2ND DESIGN)	6280716	1	16.65	SHAFT, REV SHIFTER (WARNER 13-04-598-003) (NOTE 1)
80-81	Y (M18)	6280716	1	16.65	SHAFT, REV SHFT

4.311 BALL-CAM-PIN-PLUG-SPRING, Transmission Shift Shaft Detent

NOTE 1: 1979 1ST DESIGN MUNCIE, 1979 2ND DESIGN WARNER.

58-62	Y	453593	AR	35	BALL, LOCATING (3/8") (8 899)
63-74	Y W/MUNCIE	3905482	2	1.75	CAM, DETENT
75-79	Y (M20) (EXC. SP. H/PER.) (1ST DESIGN)	338937	1	1.75	CAM, 1ST & 2ND DETENT (NOTE 1)
75-79	Y (M20) (EXC. SP. H/PER.) (1ST DESIGN)	348399	1	2.55	CAM, 3RD & 4TH DETENT (NOTE 1)
77-79	Y (M20) (EXC. SP. H/PER.) (1ST DESIGN)	3831715	1	.42	PIN, DETENT CAM RET (NOTE 1)
53-82	Y	6258809	AR	.36	PLUG, EXT (.781-TYPE A)
57-63	Y	3709310	1	.43	SPRING, REV LVR POPPET (13/16 O.L. 7 ACTIVE COILS) (A LL LOCATIONS) (WARNER T85B-42)
57-75	Y W/MUNCIE	3773017	1	.54	SPRING, REV DETENT BALL (13/16 O.L. 6 1/2 ACTIVE COIL)
63-79	Y (M20) (EXC. SP. H/PER.) (1ST DESIGN 1979)	3831718	1	.42	SPRING, DETENT CAM (NOTE 1)
74-79	Y (M20, M21) W/SP H/PER	3773017	1	.54	SPRING, REV DETENT BALL
74-79	Y W/WARNER (M20, M21)	3709310	1	.43	SPRING, REV LVR POPPET (13/16 O.L. 7 ACTIVE COILS) (A LL LOCATIONS) (WARNER T85B-42)
77-79	Y (M20) (EXC. SP. H/PER.) (1ST DESIGN)	3920799	1	.38	SPRING, REV SHFT LVR DETENT BALL (NOTE 1)
79	Y (M20) (EXC. SP. H/PER.) (2ND DESIGN)	3773017	1	.54	SPRING, REV DETENT BALL (13/16 O.L. 6 1/2 ACTIVE COIL) (NOTE 1)
80-81	Y (M18)	3709310	1	.43	SPRING, REV LVR POPPET
80-81	Y (M18)	3773017	1	.54	SPRING, REV DETENT BALL

4.313 SEAL, Transmission Internal Selector Shaft

57-65	Y (EXC. MUNCIE 4-SPD.)	3845164	2	.43	SEAL, O RING, RUBBER (7/16 I.D. X 17/32 O.D.)
74-78	Y W/WARNER	5898537	1	2.35	SEAL, 1ST, 2ND, 3RD & 4TH SHIFTER SHAFT OIL (6.525)

4.317 EXTENSION-EXTENSION KIT-RETAINER, Transmission Rear Main

NOTE 1: WHEN REPLACING OLD PART, DISCARD SUPPORT BRACKET 3744074 AND ATTACHING PARTS AND INSTALL SUPPORT BRACKET 3813335 PLUS TWO TRANS. SUPPORT CROSS MEMBER SPACERS 3813336 W/FOUR 3/8-16 X 1 1/8 ATTACHING BOLTS.

NOTE 2: 6.0 METRIC FSTN REQUIRED FOR SPEEDO CABLE ATTACHMENT AND 10.0 X 1.5-6H METRIC FSTN REQUIRED FOR TRANS MOUNT.

NOTE 3: 1979 1ST DESIGN MUNCIE, 1979 2ND DESIGN WARNER.

NOTE 4: WHEN USING IN PLACE OF 360809, 474040, 14008898 EXTENSIONS USE 361143 BEARING (4.384) T/W 14013087 THRUST PLATE (4.423).

63-64	Y W/MUNCIE	3846428	1	129.00	EXTENSION
65-70	Y	3857583	1	118.00	EXTENSION
71-74	Y W/MUNCIE	3978783	1	119.00	EXTENSION
74-79	Y (M20, M21) W/SP H/PER	14013038	1	69.00	EXTENSION
79	Y (M20) (EXC. SP. H/PER.) (2ND DESIGN)	14013088	1	69.00	EXTENSION (NOTE 2,3,4)
80-81	Y (M18)	14013088	1	69.00	EXTENSION
77	Y W/MUNCIE	14040568	1	69.50	EXTENSION KIT
78	Y (M20) (EXC. SP. H/PER.)	14040568	1	69.50	EXTENSION KIT
79	Y (M20) (EXC. SP. H/PER (1ST DESIGN)	14040568	1	69.50	EXTENSION KIT (NOTE 3,4)
63-74	Y W/MUNCIE	3831752	1	81.50	RETAINER
74-79	Y (M20, M21) W/SP. H/PER.	3931531	1	77.25	RETAINER, W/PIN, RR BRG (WARNER AT10-107A)
79	Y (M20) (EXC. SP. H/PER.) (2ND DESIGN)	3931531	1	77.25	RETAINER, W/PIN, RR BRG (WARNER AT10-107A)
80-81	Y (M18)	3931531	1	77.25	RETAINER, W/PIN, RR BRG (WARNER AT10-107A)

4.318 GASKET-SEAL, Transmission Rear Main Bearing

NOTE 1: 1979 1ST DESIGN MUNCIE, 1979 2ND DESIGN WARNER.

57-63	Y W/WARNER	3787720	1	2.35	GASKET, RR (WARNER T10-145A)
57-63	Y W/WARNER	3787722	1	2.15	GASKET, FRT (WARNER T10-1451-1 1/2")

WAREHOUSING AND DISTRIBUTION DIVISION OF GENERAL MOTORS CORPORATION — CHEVROLET—14A

4-SPEED MANUAL TRANSMISSION

4.318 GASKET-SEAL, Transmission Rear Main Bearing (Con't)

63-74	Y W/MUNCIE	3911900	1	2.50	GASKET, FRT
63-74	Y W/MUNCIE	3911901	1	2.50	GASKET, RR
74-79	Y (M20, M21) W/SP. H/PER.	3787720	1	2.35	GASKET, RR (WARNER T10-146A)
74-79	Y (M20, M21) W/SP. H/PER.	3787722	1	2.15	GASKET, FRT (WARNER T10-1451-1 1/2")
75-79	Y (M20) (EXC. SP. H/PER.) (1ST DESIGN)	3878752	1	.36	GASKET, EXT (NOTE 1)
79	Y (M20) (EXC. SP. H/PER.) (2ND DESIGN)	3787720	1	2.35	GASKET, RR (WARNER T-10-146A) (NOTE 1)
79	Y (M20) (EXC. SP. H/PER.) (2ND DESIGN)	3787722	1	2.15	GASKET, RR (WARNER T10-1451-1 1/2") (NOTE 1)
80-81	Y (M18)	3787720	1	2.35	GASKET, RR (WARNER T-10-146A)
80-81	Y (M18)	3787722	1	2.15	GASKET, RR (WARNER T10-1451-1 1/2")
67-83	Y	3932255	1	N.L.	SEAL, EXT OIL
68-77	Y	3932255	1	N.L.	SEAL, EXT OIL
71-74	Y W/MUNCIE	8626009	1	N.L.	SEAL, EXT RR OIL
74-79	Y (M20, M21) W/SP. H/PER.	6260707	1	9.40	SEAL, EXT OIL (WARNER T-22-110A)
78-80	Y (M20) (EXC. SP. H/PER.) (1ST DESIGN)	3932255	1	N.L.	SEAL, EXT OIL (NOTE 1)
79	Y (M20) (EXC. SP. H/PER.) (2ND DESIGN)	6260707	1	9.40	SEAL, EXT OIL (WARNER T-22-110A) (NOTE 1)
80-81	Y (M18)	6260707	1	9.40	SEAL, EXT OIL (WARNER T-22-110A)

4.319 BOLT-BUSHING, Transmission Extension

NOTE 1: 1979 1ST DESIGN MUNCIE, 1979 2ND DESIGN WARNER.

67-81	Y	3774911	1	1.75	BOLT, RET (1/2-13 X 1 1/8) (WARNER 4737D)
74-79	Y (M20, M21) W/SP. H/PER.	3774911	1	1.75	BOLT, RET (1/2-13 X 1 1/8) (WARNER 4737D)
79	Y (M20) (EXC. SP. H/PER.) (2ND DESIGN)	3774911	1	1.75	BOLT, RET (1/2-13 X 1 1/8) (WARNER 4737D)
80-81	Y (M18)	3774911	1	1.75	BOLT, RET (1/2-13 X 1 1/8) (WARNER 4737D)
67-70	Y	6260048	1	1.55	BUSHING, EXT (1 1/2 X 1 5/8)
71-79	Y (M20, M21) W/SP. H/PER.	3978785	1	2.50	BUSHING, EXT
79	Y (M20) (EXC. SP. H/PER.) (2ND DESIGN)	3978785	1	2.50	BUSHING, EXT (NOTE 1)
79	Y (350) (M20) (EXC. SP. H/PER.) (1ST DES)	6260048	1	1.55	BUSHING, EXT (1 1/2 X 1 5/8) (NOTE 1)
80-81	Y (M18)	3978785	1	2.50	BUSHING, EXT

4.329 ADAPTER, Speedometer Driven Gear

NOTE 1: WHEN USED IN PLACE OF 6478879 ALSO ORDER 6476970 KEY. ALSO ORDER 867209 KEY WHEN USED IN PLACE OF 1580273.

63-74	Y	1565202	1	51.60	ADAPTER
63-75	Y	1565211	1	47.98	ADAPTER, (NOTE 1)
63-74	Y	3890575	1	53.25	ADAPTER (STAMPED .8319)
63-74	Y	3925873	1	36.00	ADAPTER (STAMPED 1.1111-V)
63-74	Y	3932220	1	32.75	ADAPTER (STAMPED .7333-A)

4.330 KEY, Transmission Speedometer Drive

67-74	Y	867209	1	2.76	KEY, W/ADAPTERS 1565811-12-13-14-1580273-3876
73-74	Y	25032338	1	60	KEY (FEMALE) W/ADAPTER 1565211

4.337 GEAR, Speedometer Driven

66-80	Y W/3.70 AXLE	3708699	1	2.15	GEAR (22 TEETH) (NYLON) (SOLID GREEN)
61-66	Y W/3.08 AXLE	3987918	1	2.15	GEAR (6.70 X 15, 7.10 X 15, 7.75 X 15)
61-64	Y W/3.36 AXLE	3987920	1	2.05	GEAR (6.70 X 16)
61-64	Y W/3.70 AXLE	3860345	1	2.15	GEAR (6.70 X 15)
61-64	Y W/4.11 AXLE	3860347	1	2.25	GEAR (6.70 X 15)
63-64	Y W/3.55 AXLE	3987921	1	2.05	GEAR (6.70-15)
65	Y W/2.73	1359273	1	2.50	GEAR (7.75 X 15, 8.15 X 15) (BROWN-39 TEETH)
65-66	Y W/3.07 AXLE	3987918	1	2.15	GEAR (7.75 X 15)
65-66	Y W/3.36, 3.31 AXLE	3987920	1	2.05	GEAR (7.75 X 15, 8.15 X 15) (BLUE 20 TEETH)
65-66	Y W/3.55 AXLE	3987921	1	2.05	GEAR (7.75 X 15, 8.15 X 15) (RED-21 TEETH)

4-SPEED MANUAL TRANSMISSION

4.337		GEAR, Speedometer Driven		(Con't)	
65-88	Y W/4.10 AXLE	3880347	1	2.25	GEAR (7.75 X 15, 8.15 X 15) (YELLOW-24 TEETH)
67	Y W/2.73 AXLE	3987918	1	2.15	GEAR (8.15 X 15, 8.45 X 15) (BROWN-18 TEETH)
67	Y W/2.73 AXLE	3987919	1	2.05	GEAR (NATURAL-19 TEETH)
67	Y W/3.07 AXLE	3987918	1	2.15	GEAR (8.15 X 15, 8.45 X 15, 8.70 X 15)
67	Y W/3.07 AXLE	3987919	1	2.05	GEAR (7.75 X 15)
67	Y W/3.08 AXLE	3987918	1	2.15	GEAR (8.15 X 15, 8.45 X 15)
67	Y W/3.08 AXLE	3987919	1	2.05	GEAR (7.75 X 15)
67	Y W/3.31 AXLE	3987920	1	2.05	GEAR (8.45 X 15)
67	Y W/3.31 AXLE	3987920	1	2.05	GEAR (8.15 X 15)
67	Y W/3.38 AXLE	3987920	1	2.05	GEAR (8.15 X 15, 7.75 X 15, 8.45 X 15)
67	Y W/3.55 AXLE	3987921	1	2.05	GEAR (8.15 X 15, 8.45 X 15)
67	Y W/3.55, 3.07 AXLE	3880346	1	2.15	GEAR (7.75 X 15)
67	Y W/3.70 AXLE	3987921	1	2.05	GEAR (8.45 X 15)
67	Y W/3.73 AXLE	3880346	1	2.15	GEAR (8.15 X 15, 8.45 X 15) (GREEN-22 TEETH)
67	Y W/3.73 AXLE	3880346	1	1.90	GEAR (BLACK-23 TEETH)
67	Y W/4.10 AXLE	3880347	1	2.25	GEAR (8.15 X 15, 8.45 X 15)
67	Y W/4.10 AXLE	3880348	1	2.15	GEAR (7.75 X 15) (25 TEETH-ORANGE)

4.338		FITTING-RETAINER-RING-SEAL-SLEEVE, Speedometer Driven Gear			
65-75	Y W/MUNCIE	345215	1	5.15	FITTING, W/SEAL, DRIVEN GEAR
57-87	Y	3708148	1	.42	RETAINER, GEAR FITTING (9/16" I.D.)
68-75	Y W/MUNCIE (EXC. P/TRAC.)	3708148	1	.42	RETAINER, GEAR FITTING (9/16" I.D.)
76-81	Y	3708148	1	.42	RETAINER, GEAR FITTING (9/16" I.D.)
73-81	Y	1351818	1	.37	RING, OIL SEAL RET.
57-81	Y	3889910	1	2.20	SEAL, PINION
73-82	Y	8264903	1	.40	SEAL, FTG
75-81	Y	1240382	1	.75	SEAL
68	Y W/P/TRAC.	1362294	1	8.80	SLEEVE, W/SEAL
77-81	Y	345215	1	5.15	SLEEVE, DRIVEN GEAR (18-23 TEETH GEAR)

4.342 CABLE -CABLE KIT -CLIP, Transmission to Speedometer

NOTE 1: FOR MODELS REQUIRING MAXIMUM LENGTH OF 70", CUT AS REQ'D.

57-77	Y	8478825	1	10.15	CABLE (LESS CASING) (171" O.L.) (81" TO 145")
57-73	Y	8480230	1	N.L.	CABLE, W/CASING (41" TO 44")
57-75	Y	8480250	1	N.L.	CABLE, W/CASING (1426.5 MM) (LWR)
57-71	Y	8480254	1	N.L.	CABLE, W/CASING (SCREW ON) (2025.0MM)
57-71	Y	8480373	1	N.L.	CABLE, W/CASING (SCREW ON) (58" TO 60")
57-73	Y	8480375	1	23.60	CABLE, W/CASING (92 1/2")
57-73	Y	25032278	1	N.L.	CABLE, W/CASING (SCREW ON) (60" TO 64")
57-77	Y (M20, M21)	25032098	1	N.L.	CABLE, W/CASING (SNAP ON) (73.82") (1875.0MM)
72-73	Y	8480254	1	N.L.	CABLE, W/CASING (LWR) (2025.0MM)
72-73	Y	8480373	1	N.L.	CABLE, W/CASING (1478.5MM)
76-77	Y (M20, M21)	25032098	1	N.L.	CABLE, W/CASING (1800.0MM)
77	Y W/CRUISE CONT. (1ST DESIGN)	8479743	1	4.59	CABLE (LESS CASING) LWR (34.12")
77-81	Y W/CRUISE CONT	8479947	1	4.38	CABLE (LESS CASING) UPR (20.7") (535.6MM)
77-81	Y W/CRUISE CONT (2ND DESIGN)	8480027	1	4.32	CABLE (LESS CASING) LWR (50.5") (1280.6MM)
77-80	Y W/CRUISE CONT.	8480249	1	N.L.	CABLE, W/CASING (LWR) (1525.0MM)
76-80	Y (EXC. CRUISE CONT.)	8480075	1	4.70	CABLE (LESS CASING) (62") (1585.6MM)
78	Y (M20) (EXC. SP. H/PER.)	8480075	1	4.70	CABLE (LESS CASING) (62") (1585.6MM)
78	Y (M20) (EXC. SP. H/PER.)	25032868	1	13.85	CABLE, W/CASING (1550.0MM)
78	Y (M20, M21) W/SP. H/PER.	8480078	1	5.25	CABLE (LESS CASING) (71.8") (1835.6MM)
78	Y (M20, M21) W/SP. H/PER.	25032098	1	N.L.	CABLE, W/CASING (1800.0MM)
79-81	Y	8480078	1	5.25	CABLE (LESS CASING) (71.8") (1835.6MM)
79-81	Y (M18, M20, M21)	25032098	1	N.L.	CABLE, W/CASING (1800.0MM)
81	Y	25032877	1	16.00	CABLE, W/CASING (1825.0MM)
57-79	Y	8477499	1	N.L.	CABLE KIT (LESS CASING) (NOTE 1)
63-73	Y	9798433	AR	.44	CLIP, SHAFT (2.559)

4.343 GEAR, Speedometer Drive

NOTE 1: 1979 1ST DESIGN MUNCIE, 1979 2ND DESIGN WARNER.

WAREHOUSING AND DISTRIBUTION DIVISION OF GENERAL MOTORS CORPORATION - CHEVROLET-14A

REV. 12-83

4-15

4.337-4.343

E-23

4-SPEED MANUAL TRANSMISSION

4.343		GEAR, Speedometer Drive		(Con't)		
67-68	Y (EXC. 4.56 AXLE RATIO)	3708145	1	6.25	GEAR (7.75 X 15 TIRES)	
67-62	Y W/3.08, 3.55 AXLE RATIO	3708144	1	4.90	GEAR (8 TEETH) (8.45 X 15)	
67-68	Y W/3.70, 4.11 AXLE RATIO	3708144	1	4.90	GEAR (8 TEETH) (8.45 X 15)	
59-62	Y W/3.55 RATIO	3708145	1	6.25	GEAR (7.75 X 15 TIRES)	
63-65	Y W/3.08, 3.36 AXLE	3708144	1	4.90	GEAR (8 TEETH) (8.45 X 15)	
63-65	Y W/3.55 AXLE	3708144	1	4.90	GEAR (8 TEETH) (8.45 X 15)	
63-65	Y W/3.70, 4.11 AXLE	3708145	1	6.25	GEAR (7.75 X 15 TIRES)	
66-67	Y W/3.07, 3.08, 3.31, 3.36, 3.55, 3.70 AXLE	3708144	1	4.90	GEAR (8 TEETH) (8.45 X 15)	
66-67	Y W/3.31, 3.36, 3.55, 3.70, 3.73 AXLE	3708145	1	6.25	GEAR (7.75 X 15 TIRES)	
66-67	Y W/3.55, 3.70, 3.73, 4.10, 4.89 AXLE	3708145	1	6.25	GEAR (7.75 X 15 TIRES)	
66-67	Y W/3.70, 3.73, 4.10, 4.89 AXLE	3708145	1	6.25	GEAR (8.15 X 15 TIRES)	
66-67	Y W/3.73, 4.10, 4.89 AXLE	3708145	1	6.25	GEAR (8 TEETH) (8.45 X 15 TIRES) (1 3/4 O.D. X 17/32 THICK)	
74-79	Y (M20, M21) W/SP. H/PER.	361002	1	3.75	GEAR, SPEEDO DRIVE (7 TEETH) (GREEN)	
75-79	Y (M20)	6281796	1	3.90	GEAR (9 TEETH) (RED)	
76-79	Y (M20)	6281794	1	1.10	GEAR (8 TEETH) (NATURAL)	
76-79	Y (M20) (EXC. SP. H/PER.) (1ST DESIGN)	6281797	1	3.50	GEAR (7 TEETH) (BROWN) (NOTE 1)	
79	Y (M20) (EXC. SP. H/PER.) (2ND DESIGN)	361002	1	3.75	GEAR, SPEEDO DRIVE (7 TEETH) (GREEN) (NOTE 1)	
80	Y (M18)	361002	1	2.75	GEAR, SPEEDO DRIVE (7 TEETH) (GREEN)	
81	Y (M18)	14038093	1	4.05	GEAR, SPEEDO DRIVE (9 TEETH)	
4.345		CLIP, Speedometer Drive Gear				
75-79	Y (M20) (EXC. SP. H/PER.) (1ST DESIGN)	6281781	1	.35	CLIP, SPEEDO DR GR (MUNCIE)	
4.351		GEAR, Transmission Main Drive				
NOTE 1: USE WITH 3783317 COUNTERGEAR.						
NOTE 2: USE WITH 3817379 COUNTERGEAR.						
NOTE 3: 1979 1ST DESIGN MUNCIE, 1979 2ND DESIGN WARNER.						
62	Y (2.54:1 1ST GEAR)	3783316	1	127.00	GEAR (25 TEETH) (NOTE 1)	
63-65	Y (MUNCIE 4-SPD. W/2.56:1 1ST GEAR)	357240	1	147.00	GEAR (24 TEETH)	
63-70	Y (MUNCIE 4-SPD. W/2.20:1 1ST GEAR) (CLOSE RATIO)	357242	1	151.00	GEAR, W/SLINGER (26 TEETH)	
63	Y (WARNER 4-SPD. W/2.20:1 1ST GEAR)	3855734	1	134.00	GEAR (27 TEETH)	
63	Y (WARNER 4-SPD. W/2.54:1 1ST GEAR)	3855735	1	139.00	GEAR (25 TEETH) (NOTE 2)	
65-68	Y W/H.D. 4-SPD.	3925691	1	161.00	GEAR, W/SLINGER (26 TEETH)	
66-70	Y (EXC. H.D. CLOSE RATIO)	357241	1	273.00	GEAR, W/SLINGER (21 TEETH)	
71-72	Y W/H.D.	3978761	1	133.00	GEAR, W/SLINGER (26 TEETH 26 SPLINE)	
71-74	Y W/MUNCIE (EXC. CLOSE RATIO H.D.)	357243	1	183.00	GEAR, W/SLINGER (26 TEETH)	
71-74	Y W/MUNCIE, CLOSE RATIO	357244	1	179.00	GEAR, W/SLINGER (26 TEETH)	
74-79	Y (M20) W/SP. H/PER.	380814	1	121.00	GEAR (20 TEETH) (WARNER 13-04-085-016)	
74-79	Y (M21) W/SP. H/PER.	380807	1	141.00	GEAR (21 TEETH) (WARNER 13-04-085-006)	
75-79	Y (M20) (EXC. SP. H/PER.) (1ST DESIGN)	3859030	1	135.00	GEAR (19 TEETH) (NOTE 3)	
79	Y (M20) (EXC. SP. H/PER.) (2ND DESIGN)	380814	1	121.00	GEAR (20 TEETH) (WARNER 13-04-085-016) (NOTE 3)	
80-81	Y (M18)	14024318	1	122.00	GEAR, MAIN DR	
4.352		BEARING-ROLLER, Transmission Mainshaft				
NOTE 1: 1979 1ST DESIGN MUNCIE, 2ND DESIGN WARNER.						
63-74	Y W/MUNCIE	9419248	1	3.55	BEARING, MAINSHAFT FRT (17 ROLLER W/CAGE)	
57-79	Y (M20) (EXC. SP. H/PER.) (1ST DESIGN)	3743449	AR	.55	ROLLER (5/8) (NOTE 1)	
75-79	Y (M20, M21) W/SP. H/PER.	9423039	AR	.62	ROLLER, MAINSHAFT	
79	Y (M20) (EXC. SP. H/PER.) (2ND DESIGN)	9423039	AR	.62	ROLLER, MAINSHAFT (NOTE 1)	
80-81	Y (M18)	9423039	AR	.62	ROLLER, MAINSHAFT	
4.353		SPACER, Transmission Mainshaft Bearing				
NOTE 1: 1979 1ST DESIGN MUNCIE, 1979 2ND DESIGN WARNER.						

4-SPEED MANUAL TRANSMISSION

4.353 SPACER, Transmission Mainshaft Bearing (Con't)						
74-79	Y (M20, M21) W/SP. H/PER.	389677	1	64	SPACER (WARNER T85G-25)	
79	Y (M20) (EXC. SP. H/PER.) (2ND DESIGN)	389677	1	64	SPACER (WARNER T85G-25) (NOTE 1)	
80-81	Y (M18)	389677	1	64	SPACER (WARNER T85G-25)	
4.354 SEAL, Transmission Main Drive Gear Bearing						
74-79	Y (M20, M21)	3987936	1	3.30	SEAL, RET OIL (1 1/4 I.D. X 1 3/4 O.D. X 17/32 THK.) (STEEL)	
80-81	Y (M18)	3987936	1	3.30	SEAL, RET OIL	
4.355 BEARING, Transmission Main Drive Gear						
NOTE 1: 1979 1ST DESIGN MUNCIE, 1979 2ND DESIGN WARNER.						
57-62	Y	907372	1	18.80	BEARING, W/SNAP RING (4.408)	
63-65	Y	907930	1	44.65	BEARING, W/SNAP RING (SINGLE ROW) (ND47207)	
64-74	Y W/MUNCIE	907572	1	56.15	BEARING, W/SNAP RING (SINGLE ROW) (ND41307B)	
74-79	Y (M20, M21) W/SP. H/PER.	908216	1	38.50	BEARING, W/SNAP RING (SINGLE ROW)	
78-79	Y (M20) (EXC. SP. H/PER.) (1ST DESIGN-1979)	907930	1	44.65	BEARING, W/SNAP RING (SINGLE ROW) (ND47207) (NOTE 1)	
79	Y (M20) (EXC. SP. H/PER.) (2ND DESIGN)	908216	1	38.50	BEARING, W/SNAP RING (SINGLE ROW) (NOTE 1)	
80-81	Y (M18)	908216	1	38.50	BEARING, W/SNAP RING (SINGLE ROW)	
4.356 LOCK-NUT -RETAINER, Transmission Main Drive Gear Bearing						
NOTE 1: WHEN USING 3915020, USE 4 EACH 186678 BOLTS(3/8X16X1) IN PLACE OF PRESENT ONES.						
NOTE 2: 1979 1ST DESIGN MUNCIE, 1979 2ND DESIGN WARNER.						
63-74	Y W/MUNCIE	3849937	LH	1.00	LOCK, RET BOLT	
63-74	Y W/MUNCIE	3849938	SH	.81	LOCK, RET BOLT	
63-74	Y W/MUNCIE	591150	1	5.50	NUT (1 3/8-12 L.H. THREAD)	
57-82	Y	3709331	1	21.60	RETAINER (4 11/16 O.D. X 3 3/16 O.L.) (FORGED T89 B-6)	
63	Y	604932	1	12.75	RETAINER (4 3/16 O.D. X 3 3/16, W/4 HOLES 5/16 DIA.)	
64-74	Y W/MUNCIE	3915020	1	19.75	RETAINER (NOTE 1)	
74-79	Y (M20, M21) W/SP. H/PER.	360806	1	31.75	RETAINER	
75-79	Y (M20) (EXC. SP. H/PER.) (1ST DESIGN)	3859032	1	16.50	RETAINER, MAIN DR GR BRG (MUNCIE) (NOTE 2)	
79	Y (M20) (EXC. SP. H/PER.) (2ND DESIGN)	360806	1	31.75	RETAINER (NOTE 2)	
80-81	Y (M18)	360806	1	31.75	RETAINER	
4.358 GASKET, Transmission Main Drive Gear Bearing Retainer						
NOTE 1: 1979 1ST DESIGN MUNCIE, 1979 2ND DESIGN WARNER.						
57-82	Y	3743481	1	1.40	GASKET (3 7/16 I.D. X 4 11/16 O.D.)	
63	Y	591022	1	.40	GASKET (11/32 DIA.)	
66-74	Y W/MUNCIE	3915019	1	.67	GASKET	
74-79	Y (M20, M21) W/SP. H/PER.	1359473	1	.40	GASKET (WARNER T85B-145C)	
75-79	Y (M20) (EXC. SP. H/PER.) (1ST DESIGN)	3916113	1	.70	GASKET (NOTE 1)	
79	Y (M20) (EXC. SP. H/PER.) (2ND DESIGN)	1359473	1	.40	GASKET (WARNER T85B-145C) (NOTE 1)	
80-81	Y (M18)	1359473	1	.40	GASKET (WARNER T85B-145C)	
4.374 SLINGER, Transmission Main Drive Gear Bearing						
68-74	Y W/MUNCIE	3925692	1	1.75	SLINGER, CLU GEAR BRG OIL	
4.376 RING-WASHER, Transmission Main Drive Gear Bearing Retainer						
NOTE 1: USE SELECTIVELY, BUT ONLY 1 USED TO OBTAIN PROPER FIT-EXC. AS TRANS SPEEDOMETER DR GEAR RET RING.						
NOTE 2: 1979 1ST DESIGN MUNCIE, 1979 2ND DESIGN WARNER.						
57-74	Y W/MUNCIE	2830050	1	.64	RING, LOCATING (3 13/16 O.D.) (4.412)	
57-63	Y W/WARNER	3709351	AR	.43	RING, RETAINING (.087 THK.) (COLOR PLAIN) (NOTE 1, 2)	
57-63	Y W/WARNER	3709352	AR	.76	RING, SNAP (.090 THK.) (COLOR DARK BLUE) (NOTE 1, 2)	
57-63	Y W/WARNER	3709354	AR	.76	RING, SNAP (.096 THK.) (COLOR GREEN)	
57-63	Y W/WARNER	3709356	AR	.76	RING, SNAP (.102) (WARNER 4734E) (NOTE 1, 2)	
83	Y	590849	1	.70	RING, LOCATING (2 11/16 I.D. X 2 23/32 O.D. X 1/16 TH K) (NOTE 2)	

4-SPEED MANUAL TRANSMISSION

4.376 RING-WASHER, Transmission Main Drive Gear Bearing Retainer (Con't)

66-70	Y (EXC. H.D.)	3709351	AR	43	RING, RETAINING (.087 THK.) (COLOR PLAIN) (NOTE 1, . . . 2)
74-79	Y (M20, M21) W/SP. H/PER.	3709351	AR	43	RING, RETAINING (.087 THK.) (COLOR PLAIN) (NOTE 1, . . . 2)
74-79	Y (M20, M21) W/SP. H/PER.	3709352	AR	76	RING, SNAP (.090 THK.) (COLOR DARK BLUE) (NOTE 1, . . . 2)
74-79	Y (M20, M21) W/SP. H/PER.	3709353	AR	76	RING, SNAP (.093 THK.) (COLOR ORANGE) (WARNER 4734B) (NOTE 2)
74-79	Y (M20, M21) W/SP. H/PER.	3709354	AR	76	RING, SNAP (.096 THK.) (COLOR GREEN)
74-79	Y (M20, M21) W/SP. H/PER.	3709355	AR	76	RING, SNAP (.099 THK.) (WARNER 4734D) (NOTE 1, . . . 2)
74-79	Y (M20, M21) W/SP. H/PER.	3709356	AR	76	RING, SNAP (.102) (WARNER 4734E) (NOTE 1, . . . 2)
75-79	Y (M20) (EXC. SP. H/PER.) (1ST DESIGN)	590849	1	70	RING, LOCATING (2 11/16 I.D. X 2 23/32 O.D. X 1/16 TH. K.) (NOTE 2)
79	Y (M20) (EXC. SP. H/PER.) (2ND DESIGN)	3709351	AR	43	RING, SNAP (.087 THK.) (COLOR PLAIN) (NOTE 1, . . . 2)
79	Y (M20) (EXC. SP. H/PER.) (2ND DESIGN)	3709352	AR	76	RING, SNAP (.090 THK.) (COLOR DARK BLUE) (NOTE 1, . . . 2)
79	Y (M20) (EXC. SP. H/PER.) (2ND DESIGN)	3709353	AR	76	RING, SNAP (.093 THK.) (COLOR ORANGE) (WARNER 4734B) (NOTE 2)
79	Y (M20) (EXC. SP. H/PER.) (2ND DESIGN)	3709354	AR	76	RING, SNAP (.096 THK.) (COLOR GREEN)
79	Y (M20) (EXC. SP. H/PER.) (2ND DESIGN)	3709355	AR	76	RING, SNAP (.099 THK.) (WARNER 4734D) (NOTE 1, . . . 2)
79	Y (M20) (EXC. SP. H/PER.) (2ND DESIGN)	3709356	AR	76	RING, SNAP (.102) (WARNER 4734E) (NOTE 1, . . . 2)
80-81	Y (M18)	3709351	AR	43	RING, RETAINING (.087 THK.) (COLOR PLAIN) (NOTE 1)
80-81	Y (M18)	3709352	AR	76	RING, SNAP (.090 THK.) (COLOR DARK BLUE) (NOTE 1)
80-81	Y (M18)	3709353	AR	76	RING, SNAP (.093 THK.) (COLOR ORANGE) (NOTE 1)
80-81	Y (M18)	3709354	AR	76	RING, SNAP (.096 THK.) (COLOR GREEN) (NOTE 1)
80-81	Y (M18)	3709355	AR	76	RING, SNAP (.099 THK.) (WARNER 4734D) (4.376) (NOTE 1)
80-81	Y (M18)	3709356	AR	76	RING, SNAP (.102) (WARNER 4734E) (NOTE 1)
57-62	Y	3709350	1	74	WASHER (1 3/8 I.D. X 1 13/16 O.D. X 1/16 THK.) (WARNER 4652) (NOTE 2)
74-79	Y (M20, M21) W/SP. H/PER.	3709350	1	74	WASHER (1 3/8 I.D. X 1 13/16 O.D. X 1/16 THK.) (WARNER 4652) (NOTE 2)
79	Y (M20) (EXC. SP. H/PER.) (2ND DESIGN)	3709350	2	74	WASHER (1 3/8 I.D. X 1 13/16 O.D. X 1/16 THK.) (WARNER 4652) (NOTE 2)
80-81	Y (M18)	3709350	2	74	WASHER (1 3/8 I.D. X 1 13/16 O.D. X 1/16 THK.) (WARNER 4652)

4.380 CLUTCH-SYNCHRONIZER, Transmission Synchronizing

NOTE 1: 1979 1ST DESIGN MUNCIE, 1979 2ND DESIGN WARNER.

57-70	Y W/WARNER	360801	1	90.50	CLUTCH, W/SYNCH 1ST AND 2ND
57-63	Y W/WARNER	3870789	1	83.25	SYNCHRONIZER, 3RD AND 4TH
63-74	Y W/MUNCIE	357238	1	151.00	SYNCHRONIZER, 1ST AND 2ND
63-74	Y W/MUNCIE	357239	1	155.00	SYNCHRONIZER, 3RD AND 4TH
74-79	Y (M20, M21) W/SP. H/PER.	360100	1	97.75	SYNCHRONIZER, 3RD AND 4TH
74-79	Y (M20, M21) W/SP. H/PER.	360801	1	90.50	SYNCHRONIZER, 1ST AND 2ND
75-79	Y (M20) (EXC. SP. H/PER.) (1ST DESIGN)	368051	1	74.75	SYNCHRONIZER, 1ST AND 2ND (NOTE 1)
75-79	Y (M20) (EXC. SP. H/PER.) (1ST DESIGN)	3924766	1	75.50	SYNCHRONIZER, 3RD AND 4TH (NOTE 1)
79	Y (M20) (EXC. SP. H/PER.) (2ND DESIGN)	360100	1	97.75	SYNCHRONIZER, 3RD AND 4TH (NOTE 1)
79	Y (M20) (EXC. SP. H/PER.) (2ND DESIGN)	360801	1	90.50	SYNCHRONIZER, 1ST AND 2ND (NOTE 1)
80-81	Y (M18)	360100	1	97.75	SYNCHRONIZER, 3RD AND 4TH
80-81	Y (M18)	360801	1	90.50	SYNCHRONIZER, 1ST AND 2ND

4-SPEED MANUAL TRANSMISSION

4.383 RING, Transmission Synchronizer

NOTE 1: 1979 1ST DESIGN MUNCIE, 1979 2ND DESIGN WARNER.

57-63	Y W/WARNER	3709348	2	19 25	RING, BLOCKING (2 13/16 I.D. X 3 7/32 O.D. W/3 INSIDE SLOTS)
63-65	Y W/MUNCIE	357225	4	30 00	RING, BLOCKING
66-74	Y W/MUNCIE	357234	4	19 20	RING, BLOCKING
74-79	Y (M20, M21) W/SP. H/PER.	360812	1	12 75	RING, BLOCKING
75-79	Y (M20) (EXC. SP. H/PER.) (1ST DESIGN)	3859027	1	N.L.	RING, BLOCKING (NOTE 1)
79	Y (M20) (EXC. SP. H/PER.) (2ND DESIGN)	360812	1	12 75	RING, BLOCKING (NOTE 1)
80-81	Y (M18)	360812	1	12 75	RING, BLOCKING

4.384 BEARING-KEY-PLATE-RING, Transmission Synchronizer

NOTE 1: 1979 1ST DESIGN MUNCIE, 1979 2ND DESIGN WARNER.

57-63	Y W/WARNER	361143	1	3 25	BEARING, RR REV IDLER GR THRUST
79	Y (M20, M21) W/SP. H/PER (2ND DESIGN)	361143	1	3 25	BEARING, RR REV IDLER GR THRUST
79	Y (M20,) (EXC. SP. H/PER) (2ND DESIGN)	361143	1	3 25	BEARING, RR REV IDLER GR THRUST (NOTE 1)
80-81	Y (M18)	361143	1	3 25	BEARING, RR REV IDLER GR THRUST
75-79	Y (M20) (EXC. SP. H/PER.) (1ST DESIGN)	3871250	6	1 15	KEY, 1ST AND 2ND, 3RD AND 4TH (NOTE 1)
57-63	Y W/WARNER	3870793	2	1 10	PLATE, SHIFTER 1ST AND 2ND, 3RD AND 4TH (WARNER) (NOTE 1)
63-74	Y W/MUNCIE	3915050	6	1 10	PLATE, SHIFTER 1ST AND 2ND, 3RD AND 4TH
74-79	Y (M20, M21) W/SP. H/PER.	3870793	2	1 10	PLATE, SHIFTER 1ST AND 2ND, 3RD AND 4TH (WARNER) (NOTE 1)
79	Y (M20) (EXC. SP. H/PER.) (2ND DESIGN)	3870793	3	1 10	PLATE, SHIFTER 1ST AND 2ND, 3RD AND 4TH (WARNER) (NOTE 1)
80-81	Y (M18)	3870793	3	1 10	PLATE, SHIFTER 1ST AND 2ND, 3RD AND 4TH
57-63	Y W/WARNER	3709351	1	43	RING, CLU HUB RET (.087 THK) (4.376)
57-63	Y W/WARNER	3709353	1	76	RING, CLU HUB RET (.093 THK) (4.376)
57-63	Y W/WARNER	3709354	1	76	RING, CLU HUB RET (.096 THK) (4.376)
57-63	Y W/WARNER	3709355	1	76	RING, CLU RET (.099 THK) (4.376)
57-63	Y W/WARNER	3709356	1	76	RING, CLU HUB RET (.102 THK) (4.376)
63-74	Y W/MUNCIE	3831741	1	45	RING, 3RD AND 4TH CLU HUB RET
74-77	Y W/WARNER	3709351	1	43	RING, CLU HUB RET (.087 THK) (4.376)
74-77	Y W/WARNER	3709352	1	76	RING, CLU HUB RET (.090) (4.376)
74-77	Y W/WARNER	3709353	1	76	RING, CLU HUB RET (.093 THK) (4.376)
74-77	Y W/WARNER	3709354	1	76	RING, CLU HUB RET (.096 THK) (4.376)
74-77	Y W/WARNER	3709355	1	76	RING, CLU RET (.099 THK) (4.376)
74-77	Y W/WARNER	3709356	1	76	RING, CLU HUB RET (.102 THK) (4.376)
77-79	Y (M20) (EXC. SP. H/PER.) (1ST DESIGN)	3859025	2	43	RING, SYNCRO RET (1ST, 2ND, 3RD, AND 4TH) (NOTE 1)

4.395 GEAR, Transmission Second Speed

NOTE 1: 1979 1ST DESIGN MUNCIE, 1979 2ND DESIGN WARNER.

NOTE 2: USE WITH COUNTERGEAR 3817379, 1358575 OR 9771378.

63-74	Y W/MUNCIE (EXC. H.D.)	357226	1	155 00	GEAR (30 TEETH)
65-72	Y W/H.D. 4-SPD.	3879999	1	175 00	GEAR (30 TEETH)
74-78	Y W/WARNER	475035	1		GEAR.
75-79	Y (M20) (EXC. SP. H/PER.) (1ST DESIGN)	352239	1	49 25	GEAR (NOTE 3)
75-79	Y (M20, M21) W/SP. H/PER.	474035	1	119 00	GEAR (WARNER 13-04-080-001)
79	Y (M20) (EXC. SP. H/PER.) (2ND DESIGN)	474035	1	119 00	GEAR (WARNER 13-04-080-001) (NOTE 3)
80-81	Y (M18)	474035	1	119 00	GEAR (WARNER 13-04-080-001)

4.403 SHAFT, Transmission Main Drive

NOTE 1: 1979 1ST DESIGN MUNCIE, 1979 2ND DESIGN WARNER.

64-70	Y W/MUNCIE	3915087	1	144 00	SHAFT
71-74	Y W/MUNCIE	3978759	1	176 00	SHAFT (32-67) (21 3/4" O.L.)
74-79	Y (M20, M21) W/SP. H/PER.	6260713	1	214 00	SHAFT (WARNER 13-04-171-005)
77	Y (M20) (EXC. SP. H/PER.)	468253	1	78 50	SHAFT
78-79	Y (M20) (EXC. SP. H/PER.) (1ST DESIGN)	468253	1	78 50	SHAFT (NOTE 1)
79	Y (M20) (EXC. SP. H/PER.) (2ND DESIGN)	6260713	1	214 00	SHAFT (NOTE 1)
80-81	Y (M18)	6260713	1	214 00	SHAFT

4-SPEED MANUAL TRANSMISSION

4.400 BEARING, Transmission Main Shaft Rear (Output)

NOTE 1: 1979 1ST DESIGN MUNCIE, 1979 2ND DESIGN WARNER

57.83	Y W/WARNER 4-SPD.	907372	1	18.80	BEARING, LESS SNAP RING
63.74	Y W/MUNCIE 4-SPD.	907474	1	N.L.	BEARING (ND 43308)
74.79	Y (M20, M21) W/SP. H/PER.	907458	1	41.45	BEARING
78.79	Y (M20) (EXC. SP. H/PER.) (1ST DESIGN)	907785	1	51.90	BEARING, W/SNAP RING (NOTE 1)
79	Y (M20) (EXC. SP. H/PER.) (2ND DESIGN)	907458	1	41.45	BEARING (NOTE 1)
80.81	Y (M18)	907458	1	41.45	BEARING

4.412 RING-RING KIT, Transmission Rear Bearing and Mainshaft

NOTE 1: USED SELECTIVELY.
NOTE 2: 1979 1ST DESIGN MUNCIE, 1979 2ND DESIGN WARNER.
NOTE 3: USE SELECTIVELY, BUT ONLY 1 USED TO OBTAIN PROPER FIT.

63.62	Y	2830050	1	.64	RING, SNAP (3 1/2 X 3 13/16 THK) (NOTE 2)
67.83	Y W/WARNER	3911967	1	1.10	RING, SNAP (WARNER 4829) (NOTE 2)
63.74	Y W/MUNCIE	3831749	1	2.15	RING, LOCATING
63.72	Y W/MUNCIE 4-SPD.	3831759	1	.45	RING, RET (.084" THK.) (NOTE 1)
68.75	Y W/MUNCIE	2830050	1	.64	RING, SNAP (3 1/2 X 3 13/16 THK) (NOTE 2)
74.79	Y (M20, M21) W/SP. H/PER.	2830050	1	.64	RING, SNAP (3 1/2 X 3 13/16 THK) (NOTE 2)
74.79	Y (M20, M21) W/SP. H/PER.	3911967	1	1.10	RING, SNAP (WARNER 4829) (NOTE 2)
79	Y (M20) (EXC. SP. H/PER.) (2ND DESIGN)	2830050	1	.64	RING, SNAP (3 1/2 X 3 13/16 THK.) (NOTE 2)
79	Y (M20) (EXC. SP. H/PER.) (2ND DESIGN)	3911967	1	1.10	RING, SNAP (WARNER 4829) (NOTE 2)
80.81	Y (M18)	2830050	1	.64	RING, SNAP (3 1/2 X 3 13/16 THK.)
80.81	Y (M18)	3709351	AR	.43	RING, CLU GEAR BRG RET (.087 THK) (PLAIN CLR) (4.376) (NOTE 3)
80.81	Y (M18)	3709352	AR	.76	RING, CLU GEAR BRG RET (.090 THK) (DARK BLUE) (4.376) (NOTE 3)
80.81	Y (M18)	3709353	AR	.76	RING, CLU GEAR BRG RET (.093 THK) (ORANGE) (4.376) (NOTE 3)
80.81	Y (M18)	3709354	AR	.76	RING, CLU GEAR BRG RET (.096 THK) (GREEN) (4.376) (NOTE 3)
80.81	Y (M18)	3709355	AR	.76	RING, CLU GEAR BRG RET (.099 THK) (WARNER 4734D) (4.376) (NOTE 3)
80.81	Y (M18)	3709356	AR	.76	RING, CLU GEAR BRG RET (.102 THK) (WARNER 4734E) (4.376) (NOTE 3)
80.81	Y (M18)	3911967	1	1.10	RING, SNAP (WARNER 4829)
63.74	Y W/MUNCIE 4-SPD.	3998395	1	1.00	RING KIT
75.79	Y (M20) (EXC. SP. H/PER.) (1ST DESIGN)	3707174	1	.71	RING KIT, RR BRG LOC (NOTE 2)
75.79	Y (M20) (EXC. SP. H/PER.) (1ST DESIGN)	3707189	1	.43	RING KIT, MAINSHAFT RR RET (NOTE 2)

4.413 SPRING, Transmission Synchronizing

NOTE 1: 1979 1ST DESIGN MUNCIE, 1979 2ND DESIGN WARNER.

67.63	Y W/WARNER 4-SPD.	3870810	2	.67	SPRING, 1ST, 2ND, 3RD AND 4TH (WARNER 4682-AJ) (NOTE 1)
63	Y W/MUNCIE 4-SPD. (1ST DESIGN)	691914	4	.45	SPRING, ENERGIZING (3 9/32 O.D.)
63.65	Y W/MUNCIE 4-SPD. (2ND DESIGN)	3920775	4	.67	SPRING, 1ST AND 2ND, 3RD AND 4TH
66.74	Y W/MUNCIE	3920775	4	.67	SPRING, 1ST AND 2ND, 3RD AND 4TH
74.79	Y (M20, M21) W/SP. H/PER.	3870810	2	.67	SPRING, 1ST, 2ND, 3RD AND 4TH (WARNER 4682-AJ) (NOTE 1)
75.79	Y (M20) (EXC. SP. H/PER.) (1ST DESIGN)	388055	4	.67	SPRING, 1ST, 2ND, 3RD, AND 4TH (4.380) (NOTE 1)
79	Y (M20) (EXC. SP. H/PER.) (2ND DESIGN)	3870810	2	.67	SPRING, 1ST, 2ND, 3RD AND 4TH (WARNER 4682-AJ) (NOTE 1)
80.81	Y (M18)	3870810	2	.67	SPRING, 1ST, 2ND, 3RD AND 4TH (WARNER 4682-AJ)

4.415 GEAR, Transmission Third Gear

NOTE 1: 1979 1ST DESIGN MUNCIE, 1979 2ND DESIGN WARNER.

57.60	Y	3743452	1	109.00	GEAR, W/BUSHING (29T 3 3/4" O.D.)
63.65	Y W/MUNCIE 4-SPD.	357227	1	133.00	GEAR (27 TEETH)
65.72	Y W/H.D.	3880845	1	164.00	GEAR
66.74	Y W/MUNCIE (EXC. H.D.)	357227	1	133.00	GEAR (27 TEETH)

MICROFICHE INDEX
GROUPS 4.000 THRU 5.000
FICHE 3 OF 6

GROUP DESCRIPTION	STARTING GRID LOCATION	
	PARTS	ILLUSTRATIONS
- INTRODUCTION	A-6	I-2
- GENERAL INFORMATION	A-2	I-2
- ALPHABETICAL INDEX	C-11	N.A.
- INDEX FOR ADDITIONAL INFORMATION	A-5	N.A.
4.000 TRANSMISSION - BRAKES	E-2	I-6
5.000 BRAKES - REAR AXLE - PROPELLER SHAFT - WHEELS .	H-7	L-19
- OUT OF FICHE CALLS	N.A.	N-16

F-1

4-SPEED MANUAL TRANSMISSION

4.415 GEAR, Transmission Third Gear (Con't)

74-79	Y (M20, M21) W/SP. H/PER.	474034	1	125.00	GEAR (WARNER T105-11)
77-79	Y (M20) (EXC. SP. H/PER.) (1ST DESIGN)	3859986	1	41.25	GEAR (NOTE 1)
79	Y (M20) (EXC. SP. H/PER.) (2ND DESIGN)	474034	1	125.00	GEAR (WARNER T105-11) (NOTE 1)
80-81	Y (M18)	14024322	1	125.00	GEAR, 3RD SPD

4.417 GEAR, Transmission First and Reverse

NOTE 1: 1979 1ST DESIGN MUNCIE, 1979 2ND DESIGN WARNER

57-63	Y W/WARNER 4-SPD.	3743458	1	151.00	GEAR, 1ST (36T)
63-74	Y W/MUNCIE 4-SPD.	357228	1	168.00	GEAR, REV (35 TEETH)
64-74	Y W/MUNCIE 4-SPD. (EXC. H.D.)	357232	1	165.00	GEAR, 1ST
65-72	Y W/H.D. 4-SPD.	3924796	1	187.00	GEAR, 1ST
74-79	Y (M20, M21) W/SP. H/PER.	360803	1	113.00	GEAR, 1ST
74-79	Y (M20, M21) W/SP. H/PER.	14024321	1	76.75	GEAR, REV
75-79	Y (M20) (EXC. SP. H/PER.) (1ST DESIGN)	3859981	1	48.25	GEAR, 1ST (NOTE 1)
79	Y (M20) (EXC. SP. H/PER.) (2ND DESIGN)	360803	1	113.00	GEAR, 1ST (NOTE 1)
79	Y (M20) (EXC. SP. H/PER.) (2ND DESIGN)	14024321	1	76.75	GEAR, REV (NOTE 1)
80-81	Y (M18)	360803	1	113.00	GEAR, 1ST
80-81	Y (M18)	14024321	1	76.75	GEAR, REV (WARNER 13-04-070-001)

4.419 SLEEVE-SPRING-WASHER, Transmission First And Reverse Gear Thrust

NOTE 1: 1979 1ST DESIGN MUNCIE, 1979 2ND DESIGN WARNER

64-67	Y	3978781	1	20.20	SLEEVE, 1ST SPEED
68-74	Y W/MUNCIE	3978781	1	20.20	SLEEVE, 1ST SPEED
74-79	Y (M20, M21) W/SP. H/PER.	6260712	1	20.20	SLEEVE, 1ST SPEED (WARNER 13-04-103-001)
79	Y (M20) (EXC. SP. H/PER.) (2ND DESIGN)	6260712	1	20.20	SLEEVE, 1ST SPEED (WARNER 13-04-103-001) (NOTE 1)
80-81	Y (M18)	6260712	1	20.20	SLEEVE, 1ST SPEED (WARNER 13-04-103-001)
66-74	Y W/MUNCIE (EXC. CLOSE RATIO, H.D.)	3890532	2	.35	SPRING, REV GEAR ANTI-LASH
74-79	Y (M20, M21) W/SP. H/PER.	6260715	1	6.65	WASHER, THRUST, 1ST SPEED (WARNER 13-04-193-002)
75-79	Y (M20) (EXC. SP. H/PER.) (1ST DESIGN)	3869940	1	.78	WASHER, REV GEAR THRUST (NOTE 1)
75-79	Y (M20) (EXC. SP. H/PER.) (1ST DESIGN)	3884595	1	.43	WASHER, REV GEAR THRUST (NOTE 1)
79	Y (M20) (EXC. SP. H/PER.) (2ND DESIGN)	6260715	1	6.65	WASHER, THRUST, 1ST SPEED (WARNER 13-04-193-002) (NOTE 1)
80-81	Y (M18)	6260715	1	6.65	WASHER, THRUST, 1ST SPEED (WARNER 13-04-193-002)

4.421 GEAR, Transmission Countershaft

NOTE 1: USE WITH 3743447 CLUTCH GEAR AND 3743455 2ND GEAR.

NOTE 2: USE WITH 3817380 2ND GEAR.

NOTE 3: 1979 1ST DESIGN MUNCIE, 1979 2ND DESIGN WARNER

57-61	Y	3746271	1	232.00	GEAR (28T-23T-20T-17T) (NOTE 1)
62-63	Y (WARNER 4-SPD. W/2.54:1 1ST GEAR) (32T W/H/PER.)	1358675	1	255.00	GEAR (30T-23T-19T-17T) (NOTE 2)
62	Y W/4-SPD. (2.20:1 1ST GEAR) (1ST DESIGN)	3746271	1	232.00	GEAR (28T-23T-20T-17T) (NOTE 1)
63-65	Y (MUNCIE 4-SPD. W/2.56:1) (1ST GEAR)	357224	1	227.00	GEAR (29 TEETH)
63-65	Y (MUNCIE 4-SPD. W/2.20:1 1ST GEAR) W/H/PER., F.I.	3831727	1	169.00	GEAR (27T-22T-19T-17T)
65-72	Y W/H.D. 4-SPD.	3905486	1	294.00	GEAR (27T-22T-19T-17T)
66-74	Y W/MUNCIE (EXC. H.D., CLOSE RATIO)	357235	1	213.00	GEAR (25T-22T-19T)
66-74	Y W/MUNCIE 4-SPD. CLOSE RATIO	357236	1	251.00	GEAR (27T-22T-19T-17T)
74-79	Y (M20) W/SP. H/PER.	360810	1	217.00	GEAR
74-79	Y (M21) W/SP. H/PER.	360805	1	192.00	GEAR
78	Y (M20) (EXC. SP. H/PER.)	14004879	1	108.00	GEAR
79	Y (M20) (EXC. SP. H/PER.) (2ND DESIGN)	360810	1	217.00	GEAR, (NOTE 3)

4-SPEED MANUAL TRANSMISSION

4.421		GEAR, Transmission Countershaft		(Con't)	
79	Y (M20) (EXC. SP. H/PER.) (1ST DESIGN)	14004879	1	108.00	GEAR, (NOTE 3)
80-81	Y (M18)	14024317	1	217.00	GEAR, CNTR
4.422		ROLLER, Transmission Countershaft Gear			
57-65	Y	3709328	AR	35	POLLER, BRG (FRT AND REAR) (3/4" O.L.)
66-74	Y W/MUNCIE	435847	AR	31	ROLLER, BRG. (1/1" DIA X 3/4" O.L.) (NOT USED W/BUSHED TYPE COUNTERGEAR)
74-79	Y (M20, M21)	435847	AR	31	ROLLER, BRG. (1/4" DIA X 3/4" O.L.) (NOT USED W/BUSHED TYPE COUNTERGEAR)
80-81	Y (M18)	435847	AR	31	ROLLER, TYPE (1/4" DIA. X 3/4" O.L.) (NOT USED W/BUSHED TYPE COUNTERGEAR)
4.423		PLATE-SPACER-WASHER, Transmission Counter Gear			
NOTE 1: WHEN USING IN PLACE OF STEEL WASHER, 3737814 WASHER MUST BE USED ON NEEDLE BEARING SIDE					
NOTE 2: 1979 1ST DESIGN MUNCIE, 1979 2ND DESIGN WARNER.					
79	Y (350) (M20) (EXC. SP. H/PER.) (2ND DESIGN)	14013087	1	1.80	PLATE, RR REV IDLER GR BRG THRUST
79	Y (350) (M20, M21) W/SP. H/PER. (2ND DESIGN)	14013087	1	1.80	PLATE, RR REV IDLER GR BRG THRUST
80-81	Y (M18)	14013087	1	1.80	PLATE, RR REV IDLER GR BRG THRUST
66-74	Y W/MUNCIE	3912195	1	4.15	SPACER, W/WA, BRG (1" I.D. X 5 3/22" O.L.)
74-76	Y W/WARNER	6260708	1	2.85	SPACER, CNTRSHF BRG (WARNER 13-04-053-001)
77-79	Y (M20, M21) W/SP. H/PER	474036	1	2.85	SPACER, CNTRSHF BRG (WARNER 13-04-053-003)
79	Y (M20) (EXC. SP. H/PER.) (2ND DESIGN)	474036	1	2.85	SPACER, CNTRSHF BRG (WARNER) (NOTE 2)
80-81	Y (M18)	474036	1	2.85	SPACER, CNTRSHF BRG (WARNER)
57-65	Y	3709324	6	.54	WASHER, BRG (7/8" I.D. X 1 5/32" THICK)
57-62	Y	3740819	AR	1.40	WASHER (1 5/8" O.D.) (BRONZE) (NOTE 1)
63	Y (EXC. MUNCIE)	3740819	AR	1.40	WASHER (1 5/8" O.D.) (BRONZE) (NOTE 1)
63-65	Y W/MUNCIE	3831729	1	1.75	WASHER, THRUST (57/64 I.D. X 1 5/8" O.D. X 1/16 THICK)
66-74	Y W/MUNCIE	3864856	6	.54	WASHER, BRG (1" I.D. X 1 3/16" O.D.)
66-74	Y W/MUNCIE	3864860	AR	1.75	WASHER, THRUST (1" I.D. X 1 25/32" O.D.)
74-79	Y (M20, M21) W/SP. H/PER.	3870799	1	2.90	WASHER, RR REV IDLER GR THRUST
74-79	Y (M20, M21) W/SP. H/PER.	6260714	2	1.75	WASHER, CNTRSHF GEAR RR THRUST (WARNER 13-04-193-001)
74-76	Y W/WARNER	6260709	6	1.75	WASHER, CNTRSHF BRG (WARNER 13-04-053-002)
75-79	Y (M20) (EXC. SP. H/PER.) (1ST DESIGN)	3859006	1	.57	WASHER, CNTR GEAR THRUST RET (NOTE 2)
75-79	Y (M20) (EXC. SP. H/PER.) (1ST DESIGN)	3890565	1	1.60	WASHER, CNTR GEAR THRUST (NOTE 2)
77-79	Y (M20, M21) W/SP. H/PER.	474037	6	1.70	WASHER, CNTRSHF BRG (WARNER 13-04-053-004)
79	Y (M20) (EXC. SP. H/PER.) (2ND DESIGN)	474037	6	1.70	WASHER, CNTRSHF BRG (WARNER 13-04-053-004)
79	Y (M20) (EXC. SP. H/PER.) (1ST DESIGN)	3870799	1	2.90	WASHER, RR REV IDLER GR THRUST (NOTE 2)
79	Y (M20) (EXC. SP. H/PER.) (2ND DESIGN)	6260714	2	1.75	WASHER, CNTRSHF GEAR RR THRUST (WARNER 13-04-193-001) (NOTE 2)
80-81	Y (M18)	474037	6	1.70	WASHER, CNTRSHF BRG (WARNER 13-04-053-004)
80-81	Y (M18)	6260714	2	1.75	WASHER, CNTRSHF GEAR RR THRUST (WARNER 13-04-193-001)
4.428		SHAFT, Transmission Counter			
NOTE 1: 1979 1ST DESIGN MUNCIE, 1979 2ND DESIGN WARNER.					
57-63	Y W/WARNER	3709300	1	15.10	SHAFT (7/8" DIA. X 9 9/16" LENGTH)

4-SPEED MANUAL TRANSMISSION

4.42E SHAFT, Transmission Counter (Con't)

63-85	Y W/MUNCIE	357222	1	22.70	SHAFT (7/8" DIA)
68-74	Y W/MUNCIE	357233	1	28.00	SHAFT (1 1/2" DIA X 10" O.L.)
74-79	Y (M20, M21) W/SP. H/PER.	6260711	1	16.65	SHAFT (WARNER 13-04-068-001)
75-79	Y (M20) (EXC. SP. H/PER.) (1ST DESIGN)	3859005	1	16.80	SHAFT (NOTE 1)
79	Y (M20) (EXC. SP. H/PER.) (2ND DESIGN)	6260711	1	16.65	SHAFT (WARNER 13-04-068-001) (NOTE 1)
80-81	Y (M18)	6260711	1	16.65	SHAFT (WARNER 13-04-068-001)

4.430 GEAR, Transmission Reverse Idler

NOTE 1: 1979 1ST DESIGN MUNCIE, 1979 2ND DESIGN WARNER

80-63	Y W/WARNER	14024320	1	122.00	GEAR (19 TOOTH) (WARNER)
63-74	Y W/MUNCIE	357231	1	64.00	GEAR, RR
63-74	Y W/MUNCIE (EXC. H.D.)	3831762	1	28.50	GEAR, FRT
85-72	Y W/H.D. 4-SPD.	3879997	1	32.00	GEAR, FRT
74-79	Y (M20, M21) W/SP. H/PER.	3936254	1	92.75	GEAR, FRT (16 TOOTH) (WARNER T10T-10)
74-79	Y (M20, M21) W/SP. H/PER.	14024320	1	122.00	GEAR (19 TOOTH) (WARNER)
75-79	Y (M20) (EXC. SP. H/PER.) (1ST DESIGN)	3915037	1	37.50	GEAR (NOTE 1)
79	Y (M20) (EXC. SP. H/PER.) (2ND DESIGN)	3936254	1	92.75	GEAR, FRT (16 TOOTH) (WARNER T10T-10) (NOTE 1)
79	Y (M20) (EXC. SP. H/PER.) (2ND DESIGN)	14024320	1	122.00	GEAR, RR (19 TOOTH) (WARNER) (NOTE 1)
80-81	Y (M18)	14024315	1	122.00	GEAR, REV IDL FRT
80-81	Y (M18)	14024320	1	122.00	GEAR, RR (W/BUSHING)

4.433 SHAFT, Transmission Reverse Idler

NOTE 1: 1979 1ST DESIGN MUNCIE, 1979 2ND DESIGN WARNER

57-63	Y W/WARNER	3746277	1	13.00	SHAFT (WARNER T10-35)
63-74	Y W/MUNCIE	357229	1	18.75	SHAFT
74-79	Y (M20, M21) W/SP. H/PER.	3746277	1	13.00	SHAFT (WARNER T10-35)
75-79	Y (M20) (EXC. SP. H/PER.) (1ST DESIGN)	3915039	1	7.25	SHAFT (NOTE 1)
79	Y (M20) (EXC. SP. H/PER.) (2ND DESIGN)	3746277	1	13.00	SHAFT (WARNER T10-35) (NOTE 1)
80-81	Y (M18)	3746277	1	13.00	SHAFT (WARNER T10-35) (NOTE 1)

4.435 PIN-RING, Transmission Reverse Idler Gear

53-63	Y (EXC. MUNCIE)	590832	1	33	PIN, LOCK (1/4" TAPERED X 11/16" LENGTH)
64-85	Y (EXC. H.D.)	590832	1	33	PIN, LOCK (1/4" TAPERED X 11/16" LENGTH)
60-63	Y	3774910	1	74	RING, GEAR RET (1 5/8" O.D.) (WARNER 4821A)
74-78	Y (M20, M21) W/SP. H/PER.	3774910	1	74	RING, GEAR RET (1 5/8" O.D.) (WARNER 4821A)
79	Y (M20) (EXC. SP. H/PER.) (2ND DESIGN)	3774910	1	74	RING, GEAR RET (1 5/8" O.D.) (WARNER 4821A)
80-81	Y (M18)	3774910	1	74	RING, GEAR RET (1 5/8" O.D.) (WARNER 4821A)

4.437 BEARING-PLATE-WASHER, Transmission Reverse Idler Gear Thrust

79	Y (350) (M20, M21) W/SP. H/PER (2ND DESIGN)	381143	1	3.25	BEARING, REV IDLER SHFT RR THRUST (4.384)
79	Y (350) (M20) (EXC. SP. H/PER) (2ND DESIGN)	381143	1	3.25	BEARING, REV IDLER SHFT RR THRUST (4.384)
80-81	Y (M18)	381143	1	3.25	BEARING, REV IDLER SHFT RR THRUST (4.354)
79	Y (350) (M20) (EXC. SP. H/PER) (2ND DESIGN)	14013087	1	1.80	PLATE, REV IDLER SHFT RR THRUST (4.423)
80-81	Y (M18)	14013087	1	1.80	PLATE, REV IDLER SHFT RR THRUST (4.423)
57-64	Y W/WARNER	3740819	1	1.40	WASHER, RR (1 5/8" O.D.) (4.423)
57-63	Y W/WARNER	3774909	1	3.45	WASHER, REV IDLER GR FRT THRUST (1 5/8" O.D.)
63-74	Y W/MUNCIE	3774909	1	3.45	WASHER, REV (1 5/8" O.D.)
63-74	Y W/MUNCIE	3834739	1	1.40	WASHER, FRT

WAREHOUSING AND DISTRIBUTION DIVISION OF GENERAL MOTORS CORPORATION — CHEVROLET—14A

4-SPEED MANUAL TRANSMISSION

4.437 BEARING-PLATE-WASHER, Transmission Reverse Idler Gear Thrust (Con't)

74-79	Y (M20, M21) W/SP. H/PER	3774909	1	3 45	WASHER, REV IDLER GR FRT THRUST (1 5/8" O D)
74-78	Y (350) (M20, M21) W/SP. H/PER	3670799	1	2 90	WASHER, REV IDLER SHFT RR THRUST (4 423)
79	Y (350) (M20, M21) W/SP. H/PER (1ST DESIGN)	3870799	1	2 90	WASHER, REV IDLER SHFT RR THRUST (4 423)
79	Y (350) (M20) (EXC SP. H/PER) (1ST DES IGN)	3870799	1	2 90	WASHER, REV IDLER SHFT RR THRUST (4 423)
79	Y W/WARNER	3774909	1	3 45	WASHER, REV IDLER GR FRT THRUST (1 5/8" O D)
80-81	Y (M18)	3774909	1	3 45	WASHER, REV IDLER GR FRT THRUST (1 5/8" O D)

AUTOMATIC TRANSMISSION (1988 - 1982)

4.003 TRANSMISSION, Automatic

NOTE 1: THIS ASM HAS THE FOLLOWING ITEMS DELETED VALVE BODY & BOLTS, VACUUM MODULATOR & VALVE, GOVERNOR, INTERMEDIATE ACCUMULATOR SPRING, SPEEDOMETER DRIVE GEAR, PLUS INTERNAL SHIFT LINKAGE & COMPONENTS THESE PARTS MUST BE TRANSFERRED FROM THE REPLACED TRANS IF IN SATISFACTORY CONDITION OR PURCHASED NEW BY ORDERING FROM THE LATEST MODEL YEAR CATALOG ACCORDING TO VEHICLE MODEL YEAR

76	Y (M38)	8640152	1	1374 00	TRANSMISSION
76-79	Y (M38)	14055088	1	465 00	TRANSMISSION (REMGD)
80	Y (MV4)	8641207	1	1483 00	TRANSMISSION (CODE TW)
80	Y (305H) (M33)	14087506	1	465 00	TRANSMISSION (REMGD) (NOTE 1)
81	Y (MX3)	8641517	1	1483 00	TRANSMISSION (CODE JD)
82	Y (MD8)	8647327	1	1852 00	TRANSMISSION (CODE YA)

4.004 LEVER, Transmission Shift Control

68-75	Y	3921660	1	120 00	LEVER, W/BRKT
76-81	Y	378222	1	122 00	LEVER, W/BRKT

4.005 GASKET KIT-OVERHAUL KIT-RING KIT, Transmission Overhaul

NOTE 1: CONSISTS OF 1 FRONT SERVO PISTON OIL SEAL RING, 2 PUMP OIL SEAL RINGS, 4 CENTER SUPPORT OIL SEAL RINGS, 3 INTERMEDIATE CLUTCH PLATE ASMS (WAVED), 5 FORWARD CLUTCH PLATE ASMS (FLAT), 5 DIRECT CLUTCH PLATE ASMS (FLAT), 2 EXTENSION HOUSING SEALS, 1 FRONT PUMP SEAL, 1 PKG. EACH OF PISTON SEALS FOR DIRECT, FORWARD, AND INTERMEDIATE CLUTCH, AND 1 OVERHAUL SEALS AND GASKETS PKG

NOTE 2: CONSISTS OF 1 RING PUMP TO CASE SEAL, 8 O-RING PUMP BODY BOLT SEALS, 8 PUMP BODY BOLT WASHERS, 1 PUMP COVER TO CASE GASKET, 1 O-RING OUTPUT SHAFT SEAL, 1 REVERSE SERVO PISTON SEAL, 1 REAR SERVO COVER GASKET, 1 GOVERNOR COVER GASKET, 1 O-RING PARKING PAWL SHAFT SEAL, 2 MANUAL SHAFT O-RINGS, 1 MANUAL SHAFT SEAL ASM, 2 VACUUM MODULATOR AND CONNECTOR SEALS, 1 VALVE BODY TO SPACER GASKET, 1 CASE TO SPACER GASKET, 1 SOLENOID VALVE GASKET, 1 O-RING STRAINER SEAL, 1 TRANS OIL PAN GASKET, 1 CASE EXTENSION TO CASE GSKT 1 23/64 DIA. PARKING SHAFT PLUG, 1 FILLERTUBE O-RING

NOTE 3: CONSISTS OF 6 CENTER SUPPORT AND PUMP COVER SEALS, 1 FRONT SERVO PISTON SEAL, 1 FRONT ACCUMULATOR PISTON SEAL, 1 ACCUMULATOR PISTON SEAL, 1 REAR ACCUMULATOR PISTON SEAL

NOTE 4: CONSISTS OF 1-TRANS GASKET & SEAL UNIT, 1-OIL SEAL RING UNIT, 1-TRANS EXT OIL SEAL ASM, 5-LOW & REV DRIVE PLATE ASM (FACED), 3-INTERMEDIATE CLUTCH DRIVE PLATE ASM (FACED), 4-CLUTCH DRIVE PLATE ASM (FACED), & 5 FORWARD CLUTCH DRIVEN PLATE ASM (FACED)

NOTE 5: USED ON 1982 MODELS PRIOR TO TRANS SERIAL NO. 9-184D

NOTE 6: USED ON 1982 MODELS AFTER TRANS SERIAL NO. 9-184D

68-80	Y (M33, M38)	358045	1	N.L.	GASKET KIT, OVERHAUL (NOTE 4)
68-77	Y (M40)	8625905	1	N.L.	GASKET KIT, W/SEALS (NOTE 2)
68-77	Y (M40)	8626984	1	N.L.	GASKET KIT, OVERHAUL (NOTE 1)
76-80	Y (M33, M38)	14019845	1	N.L.	GASKET KIT, W/SEALS (NOTE 2)
80	Y (MV4)	14024372	1	N.L.	GASKET KIT, W/SEALS
81	Y (MX3)	8641914	1	N.L.	GASKET KIT, W/SEALS
82	Y (MD8)	8642953	1	37.50	GASKET KIT, W/SEALS (NOTE 2,6)
80	Y (MV4)	14024375	1	N.L.	OVERHAUL KIT, W/SEALS & GSKTS
81	Y (MX3)	8641915	1	N.L.	OVERHAUL KIT, W/SEALS, GSKTS & PLTS
82	Y (MD8)	8642954	1	126 00	OVERHAUL KIT, W/SEALS, GSKTS & PLTS
68-70	Y	3928594	1	19 15	RING KIT, OIL SEAL (NOTE 3)
75-79	Y (M38)	338202	1	19 20	RING KIT, OIL SEAL
75-77	Y (M40)	8623979	1	2 99	RING KIT, SNAP
80	Y (MV4)	338202	1	19 20	RING KIT, OIL SEAL
81	Y (MX3)	338202	1	19 20	RING KIT, OIL SEAL
82	Y (MD8)	8642910	1	9 25	RING KIT, SNAP

4.006 BUTTON-KNOB-LEVER-ROD, Transmission Control Lever

68-82	Y	3876439	1	4 60	BUTTON, LVR KNOB
68-82	Y	371754	1	5 65	KNOB, LVR
68-82	Y	378223	1	46 75	LEVER
68-82	Y	3859795	1	19 55	ROD, LVR

4.008 BUSHING-PIN-PLUG-SPRING, Transmission Control Lever

68-82	Y	3923617	1	2 15	BUSHING, CONT CABLE LVR
53-82	Y	365581	AR	3 80	PIN, CLEVIS SPECIAL
68-82	Y	3921871	1	2 95	PIN, CONT LVR
79-82	Y	10005139	1	1 25	PIN, CONT CBL
68-82	Y	3859792	1	9 30	PLUG, CONT LVR
68-82	Y	3874238	1	35	SPRING, CONT LVR, UPR

4.010 BRACKET-HOUSING-LEVER-SHROUD, Transmission Control Lever

76-81	Y	357745	1	23 50	BRACKET, CONT LVR
82	Y	14030182	1	23 50	BRACKET, CONT LVR

WAREHOUSING AND DISTRIBUTION DIVISION OF GENERAL MOTORS CORPORATION — CHEVROLET—14A

REV. 12-83

4-25

4.003-4.010

AUTOMATIC TRANSMISSION (1968 - 1982)

4.010 BRACKET-HOUSING-LEVER-SHROUD, Transmission Control Lever (Con't)

69-76	Y (EXC. T.W., TEL. WHL.)	7811390	1	29 25	HOUSING, STRG COL CONT LK TURE
82	Y	14030187	1	38 00	LEVER, W/BRKT. CONT
77	Y (EXC. T&T WHL.)	7827227	1	16 15	SHROUD, HSG
77	Y (EXC. T&T WHL.)	7827228	1	16 15	SHROUD, COL
82	Y	7839625	1	23 45	SHROUD, STRG COL HSG

4.012 SCREW-WASHER, Transmission Control Lever

69-76	Y (EXC. T.W., TEL. WHL.)	7804407	1	55	SCREW, STRG COL SHIFT LVR DETENT PLT
77-82	Y W/T&T WHL.	7800639	1	55	SCREW, STRG COL SHIFT LVR DETENT PLT
69-70	Y (EXC. T.W., TEL. WHL.)	7804447	1	6 80	WASHER, STRG COL SHIFT LVR HSG BRG WAVE

4.015 BOOT-RETAINER-SEAL, Transmission Control Lever

77-82	Y	458352	1	28.00	BOOT, CONT LVR UPR
68-76	Y	3923618	1	2 65	RETAINER, CONT CABLE SEAL
68-76	Y	3922319	1	9 65	SEAL, CONT VLV

4.017 DECAL-INSERT-PLATE-SEAL, Transmission Control Lever Trim

75-76	Y (350)	367673	1	2 80	DECAL, CNSL TR PLT (350-8 5 1)
75-76	Y (350) W/SP. H/PER.	367671	1	2 80	DECAL, CNSL TR PLT (350-9 0 1)
70-71	Y (EXC. A.C.)	3964123	1	20 25	INSERT, CNSL TR PLT
70-71	Y W/A.C.	3964126	1	28 25	INSERT, CNSL TR PLT
72-76	Y (EXC. A.C.)	333517	1	28 25	INSERT, CNSL TR PLT
72-76	Y W/A.C.	333518	1	28 25	INSERT, CNSL TR PLT
76-77	Y (EXC. A.C.)	362914	1	6 85	INSERT, CNSL TR PLT
76-77	Y W/A.C.	362913	1	6 85	INSERT, CNSL TR PLT
68-71	Y (EXC. A.C.)	345191	1	33 50	PLATE, TUN. FRT CNSL TR
69	Y (350)	3958741	1	3 70	PLATE, CNSL TR, ENG SPEC (300 HP.)
69	Y (427) W/3/2BC, H/PER.	3958743	1	2 10	PLATE, CNSL TR, ENG SPEC (400 HP.)
69	Y (427) W/SP. H/PER.	3958746	1	1 95	PLATE, CNSL TR, ENG SPEC (435 HP.)
69	Y (427) W/ALUMINUM HEAD	3958748	1	1 95	PLATE, CNSL TR, ENG SPEC (ZL1)
71	Y (350)	3995090	1	1 95	PLATE, CNSL TR, ENG SPEC (330 HP.)
72-76	Y (EXC. A.C.)	355399	1	65 75	PLATE, TUN FRT CNSL TR
72-76	Y W/A.C.	355400	1	65 75	PLATE, TUN FRT CNSL TR
77-78	Y	14033639	1	20 10	PLATE, U/B TUN FRT CNSL TR
79	Y	14048433	1	20 10	PLATE, U/B TUN FRT CNSL TR
80-82	Y	14058940	1	15 95	PLATE, U/B TUN FRT CNSL TR
82	Y07	14048434	1	20 10	PLATE, U/B TUN FRT CNSL TR
82	Y07 W/A.T. (MD8)	14075392	1	20 10	PLATE, U/B TUN FRT CNSL TR
68-76	Y	3926336	1	1 30	SEAL, CONT LVR, UPR (BLACK PLASTIC)
68-76	Y	3926336	1	4 25	SEAL, CONT LVR, UPR (BLACK PLASTIC)

4.020 BRACKET-COVER-DIAL-INDICATOR-LENS-LINK-PLATE-RETAINER, Transmission Control Indicator

77-82	Y	459371	1	78	BRACKET, SHF IND DR LINK
77-82	Y	470350	1	6 35	COVER, CONT IND LIGHT
68-76	Y	6282643	1	3 15	DIAL, CONT IND
77-82	Y	470351	1	2 20	INDICATOR, CONT SHF
77-81	Y	459308	1	3 90	LENS, CONT IND
82	Y	14045936	1	3 90	LENS, CONT IND
77-82	Y	459389	1	2 00	LINK, SHFT IND DR
71-76	Y	3990800	1	7 80	PLATE, IND DIAL
77-82	Y	459306	1	8 50	PLATE, CONT SEL
71-76	Y	3990799	1	2 90	RETAINER, CONT IND DIAL

4.022 NUT-RETAINER-WASHER, Transmission Control Indicator

80-81	Y	14003578	1	.35	NUT, TRANS CONV LK SW
68-76	Y	3922321	1	4 25	RETAINER, CONT LVR SEAL
68-82	Y	3859790	1	1 10	WASHER, CONT LVR

4.025 TUBE, Transmission Gearshift Control Shifter

69-74	Y W/T.W., TEL. WHL.	7805702	1	85.50	TUBE, STRG COL TRANS CONT LK
-------	---------------------	---------	---	-------	------------------------------

4.027 GATE-RING-SPRING-WASHER, Transmission Shift Control Lever

71-79	Y W/T.W., TEL. WHL.	7811592	1	3 75	GATE, STRG COL GEARSHIFT LVR
69-79	Y W/T.W., TEL. WHL.	7804907	1	1 00	RING, SUPT AND SHIFT TUBE RET
68-82	Y	3859791	1	1 35	SPRING, CONT LVR LWR
71-79	Y (EXC. T.W., TEL. WHL.)	7810567	1	2 20	SPRING, STRG COL SHIFT TUBE RTN LWR
69-78	Y (EXC. T.W., TEL. WHL.)	7832112	1	98	WASHER, SHIFT TUBE THRUST

AUTOMATIC TRANSMISSION (1968 - 1982)

4.045 LEVER, Transmission Gearshift					
68-82	Y	3949083	1	4 55	LEVER, PARK LK AND RANGE SEL
82	Y	14030185	1	96	LEVER, TRANS CONT PARK LK RANGE SEL
4.047 BRACKET-CABLE-PIN-PLATE-SPRING-WASHER, Transmission Shift Control Cable					
68-78	Y (M40)	9788709	1	4 20	BRACKET, CONT CABLE MT
77-81	Y	367913	1	4 55	BRACKET, CONT CABLE
82	Y	14030184	1	1 20	BRACKET, CONT CBL
82	Y	14038660	1	4 45	BRACKET, T.V. CONT CBL
68-76	Y	3958079	1	25 50	CABLE
77-82	Y	357746	1	25 75	CABLE
68-78	Y	9779348	1	1 60	PIN, CONT CABLE SEL LVR (1/4 X 2 1/64)
79-82	Y	10005139	1	1 25	PIN, CONT CABLE (METRIC THD)
68-77	Y	3926278	1	1 15	PLATE, CONT CABLE SEAT RET TAPPING
74-82	Y	334981	1	.45	SPRING, CONT CABLE RET OR YOKE (4 681)
77-82	Y	3718496	1	.28	WASHER, CONT CABLE (0 662)
4.050 BRACKET-CABLE-SEAL, Transmission Detent Control					
<i>NOTE 1: WHEN USED IN PLC OF 1260459, ALSO USE SEAL 1262475.</i>					
74-78	Y (M38)	8640493	1	.64	BRACKET, DETENT VLV
75-81	Y	8640493	1	.64	BRACKET, DETENT VLV ACTR LVR
78-77	Y	1262620	1	16 55	CABLE, (NOTE 1)
78-80	Y (MV4, M33, M38)	1262620	1	16 55	CABLE, (NOTE 1)
81	Y	25507541	1	16 55	CABLE
82	Y	25515601	1	16 20	CABLE
76-78	Y (1ST DESIGN)	6284901	1	.57	SEAL, DETENT CONT CBL (O-RING)
78	Y (M38) (2ND DESIGN)	1262475	1	.57	SEAL, DETENT CONT CBL (MULTI LIP)
79-81	Y	1262475	1	.57	SEAL, DETENT CONT CBL (MULTI LIP)
82	Y	1262476	1	.57	SEAL, THROT VLV CBL (MULTI LIP)
4.052 CLIP, Transmission Throttle Valve Control					
68-69	Y	3711177	AR	62	CLIP, LWR AND UP, FRT ROD (3 425)
4.054 SWITCH, Transmission Safety Starting Switch					
68-72	Y	3948538	1	24 95	SWITCH, NEU
73	Y	6273357	1	18 70	SWITCH, NEU SAF, BACKING LP, SEAT BELT WRNG
74-82	Y	470108	1	16 30	SWITCH, NEU SAF & BK LP
4.057 SWITCH, Transmission Control					
68-69	Y	1993424	1	10 25	SWITCH
70-77	Y (M40)	1242101	1	5 95	SWITCH, DNSHFT
4.060 BRACKET-RETAINER, Transmission Control Switch					
70-73	Y	340693	1	4 95	BRACKET
75-76	Y	340693	1	4 95	BRACKET
77-82	Y	564708	1	.36	RETAINER
4.070 BRACKET-CABLE -RETAINER, Transmission Control Lock Cable					
69-82	Y	3949076	1	3 75	BRACKET, STRG COL LWR MT
69-76	Y (M40)	3949085	1	11 25	BRACKET
69-76	Y	3949075	1	17 75	CABLE (2 1 1/8")
68-74	Y	516213	AR	.30	RETAINER, FRT AND RR (4 785)
4.075 CONNECTOR-RELAY-SWITCH-WIRE, Transmission Smog Control					
<i>NOTE: SEE 2.408 GROUP FOR ELECTRICAL PARTS.</i>					
70-72	Y	8629502	1	2 37	CONNECTOR, CONT SW (ELEC.) (4 265)
70	Y	3961573	1	6 15	RELAY, CONT SPARK
71	Y	3990842	1	5 25	RELAY, CONT SW REV
71	Y	3990843	1	6 40	RELAY, CONT SW DELAY
72	Y	3998297	1	7 90	RELAY, CONT VAC ADVANCE DELAY
73	Y	6270698	1	4 35	RELAY, CONT SPARK DELAY
69-72	Y	1242101	1	5 95	SWITCH, CONT (4 057)
70-71	Y	6462288	1	3 60	SWITCH, CONT SPARK
72	Y	8627332	1	10 60	SWITCH, CONT SPARK
73	Y (350)	8627332	1	10 60	SWITCH, CONT SPARK
70-72	Y	8626426	1	2 76	WIRE, W/CONN SPARK SW TO CASE CONN
73	Y (350)	8626426	1	2 76	WIRE, T.C.S. SW TO ELEC CONN LEAD
4.081 MEMBER-MOUNT, Transmission Mounting					
82	Y	14038295	1	53 50	MEMBER, SUPT CR
68-77	Y (M40)	3872247	1	11 15	MOUNT (ORANGE PAINT MARKING)

WAREHOUSING AND DISTRIBUTION DIVISION OF GENERAL MOTORS CORPORATION — CHEVROLET—14A

REV. 12-83

4-27

4.045-4.081

F-8

AUTOMATIC TRANSMISSION (1983 - 1982)

4.081 MEMBER-MOUNT , Transmission Mounting (Con't)					
76-79	Y	3913493	1	9.75	MOUNT
80-82	Y	14018920	1	9.75	MOUNT
4.083 BRACKET, Transmission Mounting					
74-79	Y	3913882	1	6.55	BRACKET, SUPT (0.029)
78-79	Y	3913877	LH	4.25	BRACKET, C/MBR
78-79	Y	3913878	RH	4.25	BRACKET, C/MBR
4.103 CASE, Transmission Case					
88-77	Y (M40)	8627997	1	485.95	CASE
76-80	Y (M33, M38)	1256695	1	333.00	CASE, W/BSHG (6.0 METRIC THREAD)
80	Y (MV4)	1402239	1	338.00	CASE, W/BSHG
81	Y (MX3)	8641318	1	319.00	CASE, W/BSHG
82	Y (MD8)	8642988	1	461.00	CASE, W/BUSH
4.104 BUSHING-PIPE-VENT, Transmission Case					
88-77	Y (M40)	8623941	1	3.18	BUSHING
76-82	Y	8641118	1	3.60	BUSHING,
88-72	Y	8623425	1	1.78	PIPE, W/SLEEVE, VENT
76-77	Y (M40)	8633408	1	.92	PIPE, VENT
75-77	Y (M40)	8133408	1	.92	PIPE, VENT
78-80	Y	6261289	1	.58	PIPE, VENT
81	Y (MX3)	6261289	1	.58	PIPE, VENT
82	Y (MD8)	8633408	1	.92	PIPE, VENT
75-79	Y (M38)	8640496	1	1.00	VENT (5.387)
76	Y	347411	1	3.85	VENT
4.105 PLUG , Transmission Case					
75-77	Y (M40)	8611710	AR	.36	PLUG (.25 DIA.)
82	Y (MD8)	8628864	1	.55	PLUG, CASE SERVO & ACCUM
4.115 BOLT-CONNECTOR-CONVERTER-PIN-RETAINER-SEAL-SWITCH-VALVE-WIRE, Transmission Converter					
<i>NOTE 1: LIST PRICE SHOWN DOES NOT INCLUDE EXCHANGE CHARGE. REFER TO DEALER PARTS PRICE SCHEDULE FOR EXCHANGE CHARGE.</i>					
73-82	Y	3987930	AR	.57	BOLT (3/8-16 X 19/32)
79-82	Y	1261968	AR	.50	BOLT, TRANS TO FLYWHEEL (M10 X 1.5 X 15)
80	Y	12300205	1	7.60	CONNECTOR, W/SEALS (ELECTRICAL)
81-82	Y (MD8)	8634383	1	12.60	CONNECTOR, W/SEALS, CONV CLU (ELECTRICAL)
88-72	Y (350)	8627947	1	154.00	CONVERTER, TORQUE (EXCHANGE ITEM) (NOTE 1)
88-89	Y (427) (EXC. SP. H/PER., H.D.)	8627946	1	154.00	CONVERTER, TORQUE (EXCHANGE ITEM) (NOTE 1)
89	Y (427) SP. H/PER., H.D.	8625982	1	154.00	CONVERTER, TORQUE (COMPLETE) (EXCHANGE ITEM) (NOTE 1)
70-74	Y (454) (EXC. H.D., SP. H/PER.)	8627946	1	154.00	CONVERTER, TORQUE (EXCHANGE ITEM) (NOTE 1)
71	Y (454) W/SP. H/PER.	8625982	1	154.00	CONVERTER, TORQUE (COMPLETE) (EXCHANGE ITEM) (NOTE 1)
73-76	Y (350) (EXC. SP. H/PER.)	8627947	1	154.00	CONVERTER, TORQUE (EXCHANGE ITEM) (NOTE 1)
76	Y (M38) (EXC. CALIF.)	3948963	1	154.00	CONVERTER, TORQUE (EXCHANGE ITEM) (NOTE 1)
76-79	Y (M38) (EXC. SP. H/PER.)	3963871	1	154.00	CONVERTER, TORQUE (EXCHANGE ITEM) (NOTE 1)
76-77	Y (M40)	8625982	1	154.00	CONVERTER, TORQUE (COMPLETE) (EXCHANGE ITEM) (NOTE 1)
78-79	Y W/SP. H/PER.	475524	1	154.00	CONVERTER (EXCHANGE ITEM) (NOTE 1)
80	Y (MV4)	8641919	1	310.00	CONVERTER, TORQUE (EXCHANGE ITEM) (NOTE 1)
80	Y (305) (M33)	8627946	1	154.00	CONVERTER, TORQUE (EXCHANGE ITEM) (NOTE 1)
81	Y (MX3)	8641928	1	310.00	CONVERTER (REMANUFACTURED)
82	Y	8642938	1	310.00	CONVERTER (REMANUFACTURED)
80	Y (MV4)	112494	1	.30	PIN, CONV CLU VLV
81	Y (MX3)	112194	1	.30	PIN, CONV CLU VLV
81	Y	1251366	1	.54	RETAINER, CONV CLU CONT SW (3.885)
75-82	Y	6264903	1	.40	SEAL, O RING (4.338)
80	Y (MV4)	14014619	1	13.60	SWITCH, TRANS CONV VAC
81-82	Y	25509432	1	13.95	VALVE, CONV CLU CONT (3.885)
80	Y (MV4)	12005892	1	32.75	WIRE, TORQ CONV CLU SW
81	Y	12018301	1	33.00	WIRE, TORQ CONV CLU SW
82	Y	12016433	1	33.00	WIRE, TORQ CONV CLU SW

AUTOMATIC TRANSMISSION (1968 - 1982)

4.122		SEAL-SOLENOID, Transmission Solenoid	
81	Y (MX3)	25500317	1 83 SEAL, SOLENOID
82	Y (MD8)	8630049	1 84 SEAL, O-RING, CONVR CLU SOL(4.123)
88-77	Y	8828974	1 N.L. SOLENOID,
80	Y (MV4)	1997588	1 13.15 SOLENOID,
81	Y (MX3)	1097540	1 20.25 SOLENOID,
82	Y (MD8)	8647311	1 16.00 SOLENOID, W/SEAL
4.123		BALL-RETAINER-RING-SEAL-SHAFT-SHAFT KIT, Transmission Input and Turbine Shaft	
82	Y (MD8)	147485	8 20 BALL, OIL TRFR PLUG (6.3MM) (4.216)
82	Y (MD8)	8622757	1 27 BALL, INPUT CLU HSG CHK VLV (4.256)
82	Y (MD8)	8634503	1 1.48 RETAINER, W/BALL, CHECK VLV
80	Y (M33)	8640186	1 1.65 RING, OIL SEAL
81	Y (MX3)	8640186	1 1.65 RING, OIL SEAL
82	Y (MD8)	8642420	4 1.15 RING, OIL SEAL, TURB SHAFT (TEFLON)
80-82	Y (MD8)	8630049	1 84 SEAL, O-RING, TURB SHFT TO SEL WASHER
88-77	Y (M40)	8624772	1 38.10 SHAFT
76-79	Y (M38)	14033579	1 38.75 SHAFT
80	Y (M33)	25505774	1 58.25 SHAFT
80	Y (MV4)	14024301	1 75.50 SHAFT KIT
81	Y (MX3)	14024301	1 75.50 SHAFT KIT
4.128		CLIP-CONNECTOR-PIPE, Transmission Oil Cooler	
68-74	Y	3710497	AR 38 CLIP, INLET AND OTLT PIPE
68	Y	388297	1 84 CONNECTOR, COOLER INLET AND OTLT PIPE TO TRANS
70-77	Y	8629653	2 2.33 CONNECTOR, OIL COOLER INVERTED FLARED
74-79	Y (M38)	1258468	2 94 CONNECTOR, OIL COOLER
79	Y (M38)	8629653	2 2.33 CONNECTOR, OIL COOLER TUBE(5/16)
80	Y (M33, MV4)	1258468	2 94 CONNECTOR, OIL COOLER
81	Y (MX3)	1258468	2 94 CONNECTOR, OIL COOLER
82	Y (MD8)	8629653	2 2.33 CONNECTOR, OIL CLR PIPES TO CASE (5/16)
89	Y	3973884	1 2.65 PIPE, OIL COOLER INLET (AT RAD)
70-72	Y (454) (EXC. SP. H/PER.)	3973884	1 2.65 PIPE, OIL COOLER INLET (AT RAD)
73-78	Y (1ST DESIGN 1976)	3973884	1 2.65 PIPE, OIL COOLER INLET (AT RAD)
76-81	Y (2ND DESIGN 1976)	378173	1 2.65 PIPE, OIL COOLER INLET
4.133		INDICATOR-SEAL-TUBE , Transmission Oil Filler	
NOTE 1: TUBE TIP EXTENDS 1.26 IN. INTO TRANS CASE.			
68-73	Y	1239014	1 2.20 INDICATOR, W/CAP (DIP-STICK)
74-81	Y	10017293	1 2.00 INDICATOR, W/CAP (DIP-STICK)
82	Y	14038670	1 2.00 INDICATOR, OIL LVL(DIP-STICK)
68-78	Y (1ST DESIGN 1978)	8264902	1 47 SEAL, TUBE (O RING TYPE)
78-82	Y	1259475	1 47 SEAL, TUBE (LIP TYPE)
68-73	Y	330120	1 4.55 TUBE (23")
76-78	Y (M38) (1ST DESIGN-1978)	364899	1 9.70 TUBE (USED W/O-RING SEAL)
77	Y (M40)	340659	1 3.70 TUBE (NOTE 1)
78	Y (M38) (2ND DESIGN)	14020816	1 9.70 TUBE (USED W/LIP TYPE SEAL)
79-81	Y	14020816	1 9.70 TUBE (USED W/LIP TYPE SEAL)
82	Y	14038669	1 9.60 TUBE, OIL FIL
4.158		BUSHING-GEAR-HOUSING-WASHER, Transmission Input	
68-79	Y W/A.T.	8641117	1 68 BUSHING, INPUT RING GEAR SUPT
80-81	Y W/A.T.	8641117	1 68 BUSHING, INPUT RING GEAR SUPT
76-80	Y (EXC. M40)	8261397	1 65.75 GEAR, W/SUPT, INPUT RING
82	Y (MD8)	8642216	1 63.75 GEAR, INT REACT
82	Y (MD8)	8642868	1 64.00 GEAR, INPUT INTERNAL
82	Y	8642371	1 138.00 HOUSING, W/SHAFT, INPUT CLU
76-78	Y (M38)	6261027	1 1.60 WASHER, INPUT RING GEAR FRT THRUST
76-80	Y (EXC. M40)	6260374	1 2.95 WASHER, INPUT RING GEAR RR THRUST
79-81	Y	8640060	1 3.30 WASHER, INPUT RING GEAR FRT THRUST
82	Y (MD8)	8642067	1 2.90 WASHER, THRUST, INPUT HSG TO STATOR SHF (1.92MM)
82	Y (MD8)	8642068	1 2.90 WASHER, THRUST, INPUT HSG TO STATOR SHF (2.09MM)
82	Y (MD8)	8642069	1 2.90 WASHER, THRUST, INPUT HSG TO STATOR SHF (2.26MM)
82	Y (MD8)	8642070	1 2.00 WASHER, THRUST, INPUT HSG TO STATOR SHF (2.43MM)

AUTOMATIC TRANSMISSION (1968 - 1982)

4.158 BUSHING-GEAR-HOUSING-WASHER, Transmission Input (Con't)					
82	Y (MD8)	8642071	1	2.90	WASHER, THRUST, INPUT HSG TO STATOR SHF (2.60MM)
82	Y (MD8)	8642072	1	2.90	WASHER, THRUST, INPUT HSG TO STATOR SHF (2.77MM)
82	Y (MD8)	8642073	1	2.95	WASHER, THRUST, INPUT HSG TO STATOR SHF (2.94MM)
82	Y (MD8)	8642074	1	2.90	WASHER, THRUST, INPUT HSG TO STATOR SHF (3.11MM)
4.159 BEARING-BEARING KIT-BUSHING-GEAR, Transmission Sun Gear					
NOTE 1: 1ST DESIGN SERVICED BY FWD CLU SPRAG CONVERSION KIT IN GROUP 4.180					
82	Y (MD8)	8642162	1	4.90	BEARING, INPUT SUN GEAR
82	Y (MD8)	8642191	1	5.85	BEARING, CARR TO REACT SHF
68-77	Y (M40)	8623920	1	3.78	BEARING KIT, W/RACE, CTR SUPT TO SUN GEAR THRUST
68-77	Y (M40)	8623921	1	4.04	BEARING KIT, W/RACE, SUN GEAR RR INTER GEAR THRUST
82	Y (MD8)	8642181	1	1.50	BUSHING, INPUT SUN GEAR
68-77	Y (M40)	8626807	1	31.15	GEAR
76-81	Y (EXC. M40)	8260185	1	N.L.	GEAR
82	Y (2ND DESIGN)	8647093	1	40.00	GEAR, INPUT SUN (NOTE 1)
82	Y (MD8)	8642204	1	39.50	GEAR, REACT SUN
4.161 BUSHING-SHAFT, Transmission Sun Gear and Shaft					
73-77	Y	8623944	4	4.02	BUSHING, STATOR AND SUN GEAR SHF
68-77	Y	8623177	1	37.70	SHAFT, SUN GEAR
4.162 BEARING-BOLT-BUSHING-RING-SPACER-SUPPORT-WASHER, Transmission Housing					
82	Y (MD8)	8642066	1	4.30	BEARING, STATOR SHAFT TO SEL WASHER
68-77	Y (M40)	8624009	1	1.39	BOLT, CASE TO CTR SUPT
68-77	Y (M40)	8623942	1	11.30	BUSHING, CTR SUPT
75-81	Y (EXC. M40)	8261022	2	1.10	BUSHING, STATOR SHF RR
76-79	Y (EXC. M40)	1381366	1	1.35	BUSHING, STATOR SHF FRT
80	Y (M33)	1381366	1	1.35	BUSHING, STATOR SHF FRT
68-77	Y (M40)	8623437	1	3.28	RING, CTR SUPT TO CASE SNAP
68-77	Y (M40)	8626356	6	.92	RING, CTR SUPT OIL SEAL (4 226)
70-77	Y (M40)	8626816	1	2.53	SPACER, CTR SUPT
70-77	Y (M40)	8625990	1	130.50	SUPPORT, W/RACE, CTR
75	Y (M33, M38)	8642859	1	57.00	SUPPORT, LOW & REV CLU
76-81	Y (EXC. M40)	8642859	1	57.00	SUPPORT, LOW AND REV CLU
82	Y (MD8)	8642859	1	57.00	SUPPORT, LOW & REV CLU
68-77	Y (M40)	8624783	1	1.18	WASHER, CTR SUPT TO REACTION CARR THRUST
4.163 BAND-PLATE-RING-SPRING, Transmission Clutch					
NOTE 1: USE QTY OF TWO WITH (350, 454) CID ENGINE (EXC. SP/H PER), USE QTY OF 3 WITH SP/H PER (350).					
NOTE 2: USE QTY OF TWO WITH (350, 454) CID ENGINE (EXC. SP/H PER), USE QTY OF ONE WITH SP/H PER (350).					
NOTE 3: USE QTY. OF 4 WHEN USING AS FWD. CLUTCH PLATE ON (454) WHEN USING AS DIRECT CLUTCH PLATE USE QTY. OF 4 ON (350) EXC. SP/H PER.), QTY. OF 5 ON (454), AND QTY. OF 6 WITH SP/H PER. (350).					
82	Y (MD8)	8642076	1	11.15	BAND, 2ND & 4TH
68-72	Y	8623151	3	4.42	PLATE, INTER CLU (WAVED FACED)
68-72	Y	8623152	1	14.05	PLATE, INTER CLU BKG (10.92MM)
68-72	Y	8623849	4	N.L.	PLATE, FWD CLU (FLAT STEEL)
68-72	Y	8624199	1	4.71	PLATE, INTER CLU (WAVED FACED)
68-77	Y (M40)	8623122	1	10.90	PLATE, DIR CLU BKG (10.16MM)
68-77	Y (M40)	8623150	AR	4.13	PLATE, INTER CLU (FLAT STEEL) (NOTE 1)
68-77	Y (M40)	8623851	2	4.71	PLATE, FWD CLU (WAVED STEEL) (NOTE 2)
68-77	Y (M40)	8624198	AR	N.L.	PLATE, FWD & DIR CLU (FLAT FACED)
68-77	Y (M40)	8625197	AR	N.L.	PLATE, DIR CLU DR
69	Y (427) W/SP. H/PER., H.D.	8626363	3	12.20	PLATE, INTER CLU (WAVED FACED)
71	Y (454) W/SP. H/PER.	8626363	3	12.20	PLATE, INTER CLU (WAVED FACED)
73-77	Y (M40)	8623151	3	4.42	PLATE, INTER CLU (WAVED FACED)
73-78	Y (M40)	8623849	4	N.L.	PLATE, FWD CLU (FLAT STEEL)
73-77	Y (M40)	8624199	1	4.71	PLATE, INTER CLU (WAVED STEEL)
73-76	Y (M40) (EXC. SP. H/PER.)	8623152	1	14.05	PLATE, INTER CLU BKG (10.92MM)
73-77	Y (350) (M40) W/SP. H/PER.	8626363	3	12.20	PLATE, INTER CLU (WAVED FACED)
73-74	Y (454)	8625197	AR	N.L.	PLATE, FWD CLU (FLAT STEEL) (NOTE 3)
75-79	Y (M38)	8261349	1	10.65	PLATE, FWD CLU BKG (7.11MM)
75-79	Y (M38)	8261350	2	10.85	PLATE, FWD & DIR CLU BKG (7.87MM)

AUTOMATIC TRANSMISSION (1968 - 1982)

4.163 BAND-PLATE-RING-SPRING, Transmission Clutch (Con't)

75-79	Y (M38)	8640872	AR	5.60	PLATE, INTER CLU(FLAT STEEL)
75-78	Y (M40)	862E197	AR	N.L.	PLATE, FWD CLU(FLAT STEEL) (NOTE 3)
76-79	Y (M38)	6281071	1	N.L.	PLATE, FWD & DIR CLU (FLAT STEEL)
76-79	Y (M38)	6281072	1	11.40	PLATE, FWD CLU BKG(6.35MM)
76-79	Y (M38)	6281120	1	N.L.	PLATE, LOW & REV CLU(FLAT STEEL)
76-79	Y (M38)	6281277	1	10.30	PLATE, INTER CLU(FLAT FACED)
76-79	Y (M38)	8640673	1	11.90	PLATE, INTER CLU BKG(7.62MM)
76-79	Y (M38)	8641121	1	N.L.	PLATE, FWD & DIR CLU(FLAT FACED)
76-79	Y (M38)	8641511	1	N.L.	PLATE, LOW AND REV CLU DR (FACED)
79-80	Y (MV4, M38)	8641480	1	N.L.	PLATE, FWD CLU(FLAT FACED)
80	Y (MV4)	6261071	1	N.L.	PLATE, FWD & DIR CLU (FLAT STEEL)
80	Y (MV4, M33)	8641511	1	N.L.	PLATE, LOW AND REV CLU DR (FACED)
80	Y (M33, MV4)	6261072	1	11.40	PLATE, FWD CLU BKG(6.35MM)
80	Y (M33, MV4)	6281120	1	N.L.	PLATE, LOW & REV CLU(FLAT STEEL)
80	Y (M33, MV4)	6281349	1	10.65	PLATE, FWD CLU BKG(7.11MM)
80	Y (M33, MV4)	6281350	2	10.85	PLATE, FWD & DIR CLU BKG(7.87MM)
80	Y (M33, MV4)	8640672	AR	5.60	PLATE, INTER CLU(FLAT STEEL)
80	Y (M33, MV4)	8640673	1	11.90	PLATE, INTER CLU BKG(7.62MM)
80-81	Y (M33, MV4, MX3)	8641121	1	N.L.	PLATE, FWD & DIR CLU(FLAT FACED)
80	Y (M33, MV4)	8640942	AR	N.L.	PLATE, INTER CLU(FLAT FACED)
81	Y (MX3)	6281071	1	N.L.	PLATE, FWD & DIR CLU (FLAT STEEL)
81	Y (MX3)	6281072	1	11.40	PLATE, FWD CLU BKG(6.35MM)
81	Y (MX3)	6281120	AR	N.L.	PLATE, TRANS LOW & REV CLU (FLAT STEEL)
81	Y (MX3)	6281349	1	10.65	PLATE, FWD CLU BKG(7.11MM)
81	Y (MX3)	6281350	2	10.85	PLATE, FWD & DIR CLU BKG(7.87MM)
81	Y (MX3)	8640672	AR	5.60	PLATE, INTER CLU(FLAT STEEL)
81	Y (MX3)	8640673	1	11.90	PLATE, INTER CLU BKG(7.62MM)
81	Y (MX3)	8641511	4	N.L.	PLATE, LOW & REV CLU(FLAT FACED)
81	Y (MX3)	8640942	AR	N.L.	PLATE, INTER CLU(FLAT FACED)
82	Y	8641898	5	5.35	PLATE, LOW & REV CLU(FLAT FACED)
82	Y	8647058	1	5.00	PLATE, FWD CLU(WAVED)
82	Y (MD8)	6281120	AR	N.L.	PLATE, LOW & REV CLU(FLAT STEEL)
82	Y (MD8)	8642061	3	11.15	PLATE, REV INPUT CLU(FLAT STEEL)
82	Y (MD8)	8642062	4	11.15	PLATE, REV INPUT CLU(FLAT FACED)
82	Y (MD8)	8642064	1	11.15	PLATE, REV INPUT CLU BKG(6.30MM)
82	Y (MD8)	8642154	2	17.00	PLATE, OVERRUN CLU(FLAT STEEL)
82	Y (MD8)	8642155	2	17.00	PLATE, OVERRUN CLU(FLAT FACED)
82	Y (MD8)	8642163	1	17.00	PLATE, FWD CLU APPLY(6.44MM)
82	Y (MD8)	8642167	4	11.15	PLATE, FWD CLU(FLAT STEEL)
82	Y (MD8)	8642169	1	11.15	PLATE, FWD CLU BKG(6.75MM)
82	Y (MD8)	8642171	1	11.15	PLATE, 3RD & 4TH CLU RING RET
82	Y (MD8)	8642172	1	11.15	PLATE, 3RD & 4TH CLU APPLY(3.30MM)
82	Y (MD8)	8642173	5	11.15	PLATE, 3RD & 4TH CLU(FLAT STEEL)
82	Y (MD8)	8642174	6	11.15	PLATE, 3RD & 4TH CLU(FLAT FACED)
82	Y (MD8)	8642621	1	11.15	PLATE, 3RD & 4TH CLU BKG(7.13MM)
82	Y (MD8)	8642622	1	11.15	PLATE, 3RD & 4TH CLU BKG(6.13MM)
82	Y (MD8)	8642623	1	11.15	PLATE, 3RD & 4TH CLU BKG(5.13MM)
82	Y (MD8)	8642624	1	11.15	PLATE, 3RD & 4TH CLU BKG(4.13MM)
82	Y (MD8)	8647067	1	5.00	PLATE, REV INPUT CLU(WAVED STEEL)
82	Y (MD8)	8647350	5	10.80	PLATE, FWD CLU(FLAT FACED)
82	Y (MD8)	8642170	1	11.15	RING, FWD CLU BKG PLT RET
82	Y (MD8)	8642177	1	11.15	RING, 3RD & 4TH CLU BKG PLT RET
82	Y (MD8)	8642153	1	4.55	SPRING, OVERRUN CLU

4.164 BEARING-CLUTCH-GUIDE-HUB-RETAINER-RING-SEAT-SPRING-WASHER, Transmission Clutch

NOTE 1: 1ST DESIGN SERVICED BY FWD CLU SPRAG CONVERSION KIT IN GROUP 4.180.

76-79	Y (M38)	9428864	1	6.40	BEARING, DIR CLU DRUM RR THRUST
76-79	Y (M38)	9436851	1	5.15	BEARING, DIR CLU DRUM TO PUMP CVR
80-81	Y (MV4)	9428864	1	6.40	BEARING, DIR CLU DRUM RR THRUST
80	Y (M33, MV4)	9436851	1	5.15	BEARING, DIR CLU DRUM TO PUMP CVR
75-79	Y (M38)	356828	1	24.45	CLUTCH, INTER O/RUN
80	Y (M33, MV4)	356828	1	24.45	CLUTCH, INTER O/RUN
81	Y (MX3)	356828	1	24.45	CLUTCH, INTER O/RUN
73-77	Y (M40)	8627385	1	4.35	GUIDE, INTER CLU SPRING
68-77	Y (M40)	8625717	1	26.70	HUB, FWD CLU
68-77	Y (M40)	8625718	1	27.35	HUB, DIR CLU
82	Y (MD8)	8647082	1	18.25	HUB, OVERRUN CLU
68-77	Y (M40)	8623104	2	.91	RETAINER, FWD OR DIR CLU PSTN REL SPRING
68-77	Y (M40)	8623148	1	2.16	RETAINER, INTER CLU SPRING
68-77	Y (M40)	8623105	2	.39	RING, FWD & DIR CLU PSTN REL SPR RET SNAP (1 5/8" ID)
68-77	Y (M40)	8623112	1	2.90	RING, FWD OR DIR CLU SNAP

AUTOMATIC TRANSMISSION (1968 - 1982)

**4.164 BEARING-CLUTCH-GUIDE-HUB-RETAINER-RING-SEAT-
SPRING-WASHER, Transmission Clutch (Con't)**

68-77	Y (M40)	8623149	1	2.25	RING, INTER CLU RET SNAP (7 1/8" I.D.)
68-77	Y (M40)	8623153	1	.62	RING, INTER CLU REL SPRING RET. (3" I.D.)
76-81	Y	6261041	1	.43	RING, LOW AND REV CLU RET
76-79	Y (M38)	6261037	2	.43	RING, FWD & DIR CLU PSTN RTN
80	Y (M33, MV4)	6261037	2	.43	RING, FWD & DIR CLU PSTN RTN
82	Y (MD8)	8628059	1	.79	RING, SNAP, REV INPUT CLU SPR RET
82	Y (MD8)	8642065	1	4.60	RING, REV INPUT CLU RET
75-79	Y (M38)	8640323	1	4.70	SEAT, W/SPRING, DIR CLU PSTN RTN
76-79	Y (M38)	1242722	1	4.20	SEAT, W/SPRING, FWD CLU
76-79	Y (M38)	6260382	1	4.75	SEAT, W/SPRING, LOW AND REV CLU
77-79	Y (M38)	8640005	1	2.05	SEAT, FWD CLU PSTN RTN SPRING
80	Y (MV4)	8640005	1	2.05	SEAT, TRANS CLU PSTN RTN SPR (FWD)
80	Y (M33)	1242722	1	4.20	SEAT, W/SPRING, FWD CLU
80	Y (M33, MV4)	6260382	1	4.75	SEAT, W/SPRING, LOW AND REV CLU
80	Y (M33, MV4)	8640323	1	4.70	SEAT, W/SPRING, DIR CLU PSTN RTN
81	Y (MX3)	8640323	1	4.70	SEAT, W/SPRING, DIR CLU PSTN RTN
68-69	Y (M40)	8623103	16	.44	SPRING, DIR CLU PSTN REL
68-77	Y (M40)	8623145	3	.22	SPRING, INTER CLU REL
68-77	Y (M40)	8624101	16	.22	SPRING, FWD CLU PSTN REL
69-77	Y (M40)	8624073	16	.37	SPRING, DIR CLU REL
76-79	Y (M38)	1243126	1	4.75	SPRING, W/SEAT, INTER CLU PSTN RTN
76-79	Y (M38)	6261309	1	4.38	SPRING, INTER CLU PSTN CUSH
76-79	Y (M38)	6261881	1	.43	SPRING, FWD CLU PSTN RTN
76-79	Y (M38)	8640176	1	4.60	SPRING, FWD CLU PSTN CUSH
80	Y (M33, MV4)	1243126	1	4.75	SPRING, W/SEAT, INTER CLU PSTN RTN
80	Y (M33, MV4)	6261309	1	4.38	SPRING, INTER CLU PSTN CUSH
80	Y (M33, MV4)	6261881	1	.43	SPRING, FWD CLU PSTN RTN
80	Y (M33, MV4)	8640176	1	4.60	SPRING, FWD CLU PSTN CUSH
81	Y (MX3)	1243126	1	4.75	SPRING, W/SEAT, INTER CLU PSTN RTN
81	Y (MX3)	6261309	1	4.38	SPRING, INTER CLU PSTN CUSH
81	Y (MX3)	8640176	1	4.60	SPRING, FWD CLU PSTN CUSH
82	Y (MD8)	8640227	1	4.60	SPRING, LOW & REV CLU
82	Y (MD8)	8640227	1	4.60	SPRING, REV INPUT CLU
68-77	Y (M40)	8624101	1	1.51	WASHER, FWD CLU HSG TO FWD CLU HUB THRUST
69-77	Y (M40)	8624781	1	.69	WASHER, FWD CLU HUB TO DIR CLU HUB THRUST

4.166 PISTON-PISTON KIT-SEAL KIT, Transmission Clutch

NOTE 1: WHEN USING IN TRANS. EQUIPPED WITH LOOSE PISTON RETURN SPRINGS, LOOSE SPRINGS MUST BE DISCARDED AND REPLACED WITH 6260382 PISTON RETURN SPRING.

NOTE 2: WHEN USING IN TRANS. EQUIPPED WITH LOOSE PISTON RETURN SPRINGS, LOOSE SPRINGS MUST BE DISCARDED AND REPLACED BY 1243126 SPR & SEAT ASM.

NOTE 3: WHEN USING IN TRANS. EQUIPPED WITH LOOSE PISTON RETURN SPRINGS, THE LOOSE SPRINGS MUST BE DISCARDED AND REPLACED BY 8640005 SPR & SEAT ASM.

68-72	Y	8624210	1	16.80	PISTON, INTER
68-72	Y (EXC. 454)	8625514	1	22.95	PISTON, DIR
68-72	Y (EXC. 454)	8627990	1	18.40	PISTON, FWD
68-74	Y (305) (M33)	344212	1	16.90	PISTON, LOW AND REV
69	Y (427) W/SP, H/PER, H.D.	8626544	1	41.00	PISTON, DIR
70-74	Y (454) (EXC. H.D., SP, H/PER.)	8625384	1	22.10	PISTON, DIR
70-74	Y (454) (EXC. H.D., SP, H/PER.)	8625505	1	19.20	PISTON, FWD
71	Y (454) W/SP, H/PER.	8626544	1	41.00	PISTON, DIR
71	Y (454) W/SP, H/PER.	8627990	1	18.40	PISTON, FWD
73-77	Y (M40)	8626938	1	13.95	PISTON, INTER
73-74	Y (350) (EXC. SP, H/PER.)	8625514	1	22.95	PISTON, DIR
73-77	Y (350) (M40) W/SP, H/PER.	8626544	1	41.00	PISTON, DIR
73-77	Y (350) (M40)	8627990	1	18.40	PISTON, FWD
76-79	Y (M38)	344211	1	17.80	PISTON, LOW AND REV (NOTE 1)
76-79	Y (M38)	1243383	1	2.00	PISTON, W/SEALS, DIR CLU ACCUM
76-79	Y (M38)	1246319	1	17.85	PISTON, INTER (NOTE 2)
76-79	Y (M38)	8260197	1	18.70	PISTON, DIR
76-79	Y (M38)	8640071	1	17.00	PISTON, FWD (NOTE 3)
80	Y (MV4)	344211	1	17.80	PISTON, LOW AND REV (NOTE 1)
80	Y (MV4)	8260197	1	18.70	PISTON, DIR
80	Y (MV4)	8640071	1	17.00	PISTON, FWD (NOTE 3)
80	Y (M33, MV4)	1243383	1	2.00	PISTON, W/SEALS, DIR CLU ACCUM
80	Y (M33, MV4)	1246319	1	17.85	PISTON, INTER (NOTE 2)
80	Y (305) (M33)	344212	1	16.90	PISTON, LOW AND REV
80	Y (305) (M33)	8640070	1	17.00	PISTON, FWD (NOTE 3)
80	Y (305H) (M33)	6260196	1	17.80	PISTON, DIR
81	Y (MX3)	1243383	1	2.00	PISTON, W/SEALS, DIR CLU ACCUM
81	Y (MX3)	6260197	1	18.70	PISTON, DIR

AUTOMATIC TRANSMISSION (1968 - 1982)

4.166		PISTON-PISTON KIT-SEAL KIT, Transmission Clutch (Con't)			
81	Y (MX3)	8640071	1	17.00	PISTON, FWD
82	Y	8642135	1	26.75	PISTON, 3RD & 4TH INPUT CLU
82	Y (MD8)	8642050	1	17.00	PISTON, REV INPUT CLU
82	Y (MD8)	8642144	1	26.75	PISTON, FWD CLU
82	Y (MD8)	8642148	1	26.75	PISTON, OVERRUN CLU
82	Y (MD8)	8642221	1	17.25	PISTON, LOW & REV CLU
76-78	Y (M38)	1239838	1	6.25	PISTON KIT, INTER ACCUM
68-77	Y (M40)	8623917	2	N.L.	SEAL KIT, DIR PSTN
68-77	Y (M40)	8623917	1	N.L.	SEAL KIT, FWD
68-77	Y (M40)	8623918	1	4.56	SEAL KIT, INTER PSTN
76-79	Y (M38)	3947086	1	4.70	SEAL KIT, FWD PSTN
76-79	Y (M38)	3947087	1	5.00	SEAL KIT, DIR PSTN
76-79	Y (M38)	3947088	1	6.20	SEAL KIT, INTER PSTN
76-79	Y (M38)	3947089	1	1.15	SEAL KIT, LOW AND REV PSTN
80	Y (M33, MV4)	3947086	1	4.70	SEAL KIT, FWD PSTN
80	Y (M33, MV4)	3947087	1	5.00	SEAL KIT, DIR PSTN
80	Y (M33, MV4)	3947088	1	6.20	SEAL KIT, INTER PSTN
80	Y (M33, MV4)	3947089	1	1.15	SEAL KIT, LOW AND REV CLUTCH
81	Y (MX3)	3947086	1	4.70	SEAL KIT, FWD PSTN
81	Y (MX3)	3947087	1	5.00	SEAL KIT, DIR CLU & PSTN
81	Y (MX3)	3947088	1	6.20	SEAL KIT, INTER PSTN
82	Y (MD8)	8642918	1	1.10	SEAL KIT, LOW & REV CLU
82	Y (MD8)	8642918	1	4.80	SEAL KIT, REV INPUT CLU
82	Y (MD8)	8642919	1	5.45	SEAL KIT, INPUT HSG PSTN

4.167		CAM-RETAINER-RING-ROLLER-SPRAG-SPRING, Transmission Clutch			
76-79	Y (M38)	6280318	1	25.25	CAM, INTER O/RUN CLU
80-81	Y (M33, MX3)	6280318	1	25.25	CAM, INTER O/RUN CLU
68-77	Y (M40)	8627334	1	1.76	RETAINER, INTER CLU SPRAG
75-79	Y (M38)	6261143	1	2.95	RETAINER, INTER O/RUN CLU
80	Y (M33, MV4)	6261143	1	2.95	RETAINER, INTER O/RUN CLU
81	Y (MX3)	6261143	1	2.95	RETAINER, INTER O/RUN CLU
68-77	Y (M40)	8623120	1	52	RING, INTER CLU SPRAG RET SNAP (2 3/4" I.D.)
76-79	Y (M38)	6261048	2	58	RING, FWD AND DIR CLU PRESS
80	Y (M33, MV4)	6261048	2	58	RING, FWD AND DIR CLU PRESS
82	Y (MD8)	8642374	1	6.30	RING, 3RD & 4TH CLU APPLY (1 BAR)
73-77	Y (M40)	8625814	1	27.00	ROLLER, INTER CLU
68-72	Y	8623116	1	30.40	SPRAG, INTER CLU
73-77	Y (M40)	8623116	1	30.40	SPRAG, INTER CLU
82	Y (MD8)	8642140	1	2.15	SPRING, 3RD & 4TH INPUT CLU

4.168		BUSHING-RACE-RING, Transmission Clutch			
68-72	Y	8623945	2	3.18	BUSHING, INTER SPRAG
73-77	Y (350) W/SP. H/PER.	8623945	2	3.18	BUSHING, INTER SPRAG
68-77	Y (M40)	8629487	1	44.70	RACE, INTER CLU SPRAG OTR
75-79	Y (M38)	6261021	1	25.75	RACE, INTER CLU O/RUN OTR
80	Y (M33, MV4)	6261021	1	25.75	RACE, INTER CLU O/RUN OTR
81	Y (MX3)	6261021	1	25.75	RACE, INTER CLU O/RUN OTR
75-79	Y (M38)	6261038	1	43	RING, INTER O/RUN CLU TO RET
80	Y (M33, MV4)	6261038	1	43	RING, INTER O/RUN CLU TO RET
81	Y (MX3)	6261038	1	43	RING, INTER O/RUN CLU TO RET

4.169		BUSHING-DRUM-HOUSING-HOUSING KIT-RETAINER-RING-WASHER, Transmission Clutch			
NOTE 1: USE T/W 360941 WHEN REPLACING 6260188 HSG ASM.					
75-79	Y (M38)	8640099	1	2.20	BUSHING, DIR DRUM
80	Y (M33, MV4)	8640099	1	2.20	BUSHING, DIR DRUM
81	Y (MX3)	8640099	1	2.20	BUSHING, DIR DRUM
82	Y (MD8)	8628917	1	6.35	BUSHING, REV INPUT CLU RR
76-79	Y (M38)	8640307	1	80.25	DRUM, DIR
80	Y (M33, MV4)	8640307	1	80.25	DRUM, DIR
81	Y (MX3)	8640307	1	80.25	DRUM, DIR
68-72	Y (EXC. 454)	8627433	1	97.55	HOUSING, W/RACE, DIR
68-77	Y (M40)	8624908	1	55.45	HOUSING, W/WASHER, FWD
69	Y (427) SP. H/PER.	8627387	1	98.00	HOUSING, W/CAM, DIR
70-72	Y (454)	8627387	1	98.00	HOUSING, W/CAM DIR
73-77	Y (M40)	8627435	1	97.55	HOUSING, DIR
73-74	Y (350) (EXC. SP. H/PER.)	8627387	1	98.00	HOUSING, W/CAM, DIR
73-74	Y (454)	8627388	1	100.15	HOUSING, W/CAM, DIR
82	Y (MD8)	8642141	1	21.00	HOUSING, FWD CLU
82	Y (MD8)	8642943	1	71.50	HOUSING, W/DRUM & RET, REV INPUT CLU
76-79	Y (M38)	360943	1	62.75	HOUSING KIT, FWD (NOTE 1)
79-80	Y (M33)	360943	1	62.75	HOUSING KIT, FWD (NOTE 1)

AUTOMATIC TRANSMISSION (1968 - 1982)

4.169		BUSHING-DRUM-HOUSING-HOUSING KIT-RETAINER-RING-WASHER, Transmission Clutch (Con't)			
80	Y (MV4)	360943	1	62.75	HOUSING KIT, FWD (NOTE 1)
81	Y (MX3)	360943	1	82.75	HOUSING KIT, FWD
82	Y (MD8)	8628732	3	32	RETAINER, W/BALL, FWD CLU HSG CHK VLV
82	Y (MD8)	8633748	1	79	RETAINER, W/BALL, REV INPUT CLU CHK VLV
75-79	Y (M38)	6261570	1	3.30	RING, FWD HSG OIL SEAL
75-79	Y (M38)	6261746	3	3.50	RING, DIR DRUM OIL SEAL
80	Y (MV4, M33)	6261570	1	3.30	RING, FWD HSG OIL SEAL
81	Y (MX3)	6261746	3	3.50	RING, DIR DRUM OIL SEAL
81	Y (MX3)	6261570	1	3.30	RING, TRANS FWD CLU HSG OIL SEAL
68-77	Y (M40)	8623300	1	1.69	WASHER, OIL PUMP CVR TO FWD CLU HSG THRUST (.060-.064" THK.) (YELLOW)
68-77	Y (M40)	8623301	1	1.69	WASHER, OIL PUMP CVR TO FWD CLU HSG THRUST (.071-.075" THK.)
68-77	Y (M40)	8623302	1	1.69	WASHER, OIL PUMP CVR TO FWD CLU HSG THRUST (.082-.086" THK.) (RED)
68-77	Y (M40)	8623303	1	1.69	WASHER, OIL PUMP CVR TO FWD CLU HSG THRUST (.093-.097" THK.) (BROWN)
68-77	Y (M40)	8623304	1	1.69	WASHER, OIL PUMP CVR TO FWD CLU HSG THRUST (.104-.108" THK.) (GREEN)
68-77	Y (M40)	8623305	1	1.69	WASHER, OIL PUMP CVR TO FWD CLU HSG THRUST (.115-.119" THK.) (BLACK)
68-77	Y (M40)	8623308	1	1.69	WASHER, OIL PUMP CVR TO FWD CLU HSG THRUST (.126-.130" THK.) (PURPLE)

4.172		PLUG-RING-SHAFT, Transmission Mainshaft			
68-74	Y	8623484	2	32	PLUG, MAIN SHF OR SHF AND BSHG OUTPUT (11/32 DIA.)
68-77	Y (M40)	8625221	1	.39	RING, MAINSHAFT RET SNAP
68-77	Y (M40)	8625736	1	34.70	SHAFT, W/PLUG

4.175 BUSHING-CARRIER-PINION KIT-RING-RING GEAR-SHAFT-SHELL-SUPPORT-WASHER, Transmission Output Shaft or Carrier

NOTE 1: WHEN USING 8641076 W/INPUT SHAFTS THAT HAVE A TEFLON OIL SEAL RING, DISCARD OUTPUT SHAFT BUSHING 8641058.

NOTE 2: 1ST DESIGN SERVICED BY FWD CLU SPRAG CONVERSION KIT IN GROUP 4.180.

80	Y (M33, MV4)	6261033	1	1.55	BUSHING, REACTION PLANET CARR
80	Y (M33, MV4)	6261033	1	1.55	BUSHING, SUN GEAR
68-77	Y (M40)	8625957	1	159.00	CARRIER, OUTPUT (COMPLETE)
68-77	Y (M40)	8627893	1	167.90	CARRIER, REACTION (COMPLETE)
76-77	Y (M38)	6261643	1	114.00	CARRIER, OUTPUT PLANET
76-79	Y (M38)	6261645	1	119.00	CARRIER, REACTION PLANET
78-79	Y (M38)	1250023	1	N.L.	CARRIER, W/BRG, OUTPUT
80	Y (M33, MV4)	1250023	1	N.L.	CARRIER, W/BRG, OUTPUT
80	Y (M33, MV4)	6261645	1	119.00	CARRIER, REACTION PLANET
81	Y (MX3)	1250023	1	N.L.	CARRIER, W/BRG, OUTPUT
82	Y (MD8)	8647050	1	88.75	CARRIER, INPUT
82	Y (MD8)	8647052	1	94.50	CARRIER, REACT
68-77	Y (M40)	8625913	1	51.10	PINION KIT, REACTION AND OUTPUT CARR
75-77	Y (M40)	8627657	1	.97	RING, REACTION DRUM SPACER
76-77	Y (M38)	1250022	1	N.L.	RING GEAR, W/BRG, OUTPUT
68-77	Y (M40)	8627453	1	100.35	SHAFT, W/BSHG, OUTPUT
76-79	Y (M38)	8641076	1	56.75	SHAFT, OUTPUT (NOTE 1)
80	Y (MV4, M33)	8641076	1	56.75	SHAFT, OUTPUT (NOTE 1)
81	Y (MX3)	8641076	1	56.75	SHAFT, OUTPUT (NOTE 1)
82	Y	8647236	1	79.50	SHAFT, OUTPUT
82	Y (MD8)	8642196	1	73.50	SHAFT, REACT CARR
75-79	Y (M38)	1241728	1	31.75	SHELL, TRANS SUN GR DR
80	Y (M33, MV4)	1241728	1	31.75	SHELL, TRANS SUN GR DR
81	Y (MX3)	1241728	1	31.75	SHELL, TRANS SUN GR DR
82	Y (MD8)	8642203	1	18.20	SHELL, REACT SUN
82	Y (MD8)	8642218	1	31.75	SUPPORT, INT REACT GR
68-78	Y	8626372	1	4.58	WASHER, REACTION CARR TO OUTPUT CARR, THRUST (4.176)

4.176 BEARING-BUSHING-RETAINER-RING-SEAL-WASHER, Transmission Output Shaft or Carrier

NOTE 1: USE SELECTIVELY.

68-77	Y (M40)	8624988	1	4.43	BEARING, OUTPUT SHF
-------	---------	---------	---	------	---------------------

AUTOMATIC TRANSMISSION (1968 - 1982)

4.176		BEARING-BUSHING-RETAINER-RING-SEAL-WASHER, Transmission		
		Output Shaft or Carrier	(Con't)	
75-79	Y (M38)	1256852	1	5.05 BEARING, OUTPUT RING GEAR FRT THRUST
76-79	Y (M38)	9427759	1	5.15 BEARING, OUTPUT RR GEAR RR THRUST
80	Y (M33)	9436852	1	5.15 BEARING, OUTPUT CARR
80	Y (M33, MV4)	1256852	1	5.05 BEARING, OUTPUT RING GEAR FRT THRUST
80	Y (M33, MV4)	9427759	1	5.15 BEARING, OUTPUT RR GEAR RR THRUST
81	Y (MX3)	1256852	1	5.05 BEARING, OUTPUT RING GEAR FRT THRUST
82	Y (MD8)	8642191	1	5.85 BEARING, REACT GR SUPT TO CASE (4 159)
82	Y (MD8)	8642215	1	5.00 BEARING, REACT CARR TO SUPT
76-79	Y (M38)	3789034	1	1.55 BUSHING, OUTPUT SHF
76-79	Y (M38)	6261033	1	1.55 BUSHING, SUN GEAR
76-79	Y (M38)	6261033	1	1.55 BUSHING, REACTION PLANET CARR
80	Y (MV4)	8641058	1	1.55 BUSHING, OUTPUT SHF
80	Y (M33, MV4)	6261033	1	1.55 BUSHING, SUN GEAR
80	Y (M33, MV4)	6261033	1	1.55 BUSHING, REACTION PLANET CARR
81	Y (MX3)	6261033	1	1.55 BUSHING, SUN GEAR
81	Y (MX3)	6261033	1	1.55 BUSHING, REACTION PLANET CARR
81	Y (MX3)	8641058	1	1.55 BUSHING, OUTPUT SHF
82	Y (MD8)	8642907	1	5.75 BUSHING, REACT CARR SHF RR
82	Y (MD8)	8642908	1	5.75 BUSHING, REACT CARR SHF FRT
82	Y (MD8)	8642909	1	5.75 BUSHING, REACT SUN
82	Y (MD8)	8642230	1	2.65 RETAINER, OTPUT SHF TO INPUT CARR
68-77	Y (M40)	8626112	1	4.31 RING, FRT INTERNAL GEAR
69-77	Y (M40)	8626173	1	2.13 RING, SNAP OUTPUT FRT INTERNAL GEAR
76-79	Y (M38)	6261039	1	.43 RING, OUTPUT CARR RET TO OUTPUT SHF
76-79	Y (M38)	6261040	1	.43 RING, OUTPUT RR GEAR SUPT TO SHF
76-79	Y (M38)	6261066	1	.43 RING, SUN GEAR DRIVE SHELL RET
80	Y (M33, MV4)	6261039	1	.43 RING, OUTPUT CARR RET TO OUTPUT SHF
80	Y (M33, MV4)	6261040	1	.43 RING, OUTPUT RR GEAR SUPT TO SHF
80	Y (M33, MV4)	6261066	1	.43 RING, SUN GEAR DRIVE SHELL RET
82	Y (MD8)	8642201	1	4.85 RING, REACT SHF TO INT GR RET
82	Y (MD8)	8642220	1	2.30 RING, REACT GR TO SUPT RET
82	Y (MD8)	8642178	1	1.10 SEAL, INPUT HSG TO OTPUT SHF
68-77	Y (M40)	8625401	1	4.87 WASHER, OUTPUT SHF TO CASE RR THRUST (.074-.078 THK.) (NOTE 1)
68-77	Y (M40)	8625402	1	4.87 WASHER, OUTPUT SHF TO CASE RR THRUST (.082-.086 THK.) (1 NOTCH TAB SIDE) (NOTE 1)
68-77	Y (M40)	8625403	1	4.87 WASHER, OUTPUT SHF TO CASE RR THRUST (.090-.094 THK.) (2 NOTCH TAB SIDE) (NOTE 1)
68-77	Y (M40)	8625404	1	4.87 WASHER, OUTPUT SHF TO CASE RR THRUST (.098-.102 THK.) (NOTE 1)
68-77	Y (M40)	8625405	1	4.87 WASHER, OUTPUT SHF TO CASE RR THRUST (.110-.114 THK.) (2 NOTCH TAB SIDE O.D.) (NOTE 1)
68-77	Y (M40)	8625406	1	4.87 WASHER, OUTPUT SHF TO CASE RR THRUST (.118-.122 THK.) (3 NOTCH TAB SIDE O.D.) (NOTE 1)
68-77	Y (M40)	8626372	1	4.58 WASHER, OUTPUT SHF TO CASE FRT THRUST (3 9/32 O.D.)
75-79	Y (M38)	1241725	1	1.60 WASHER, SUN GEAR THRUST
76-77	Y (M38)	6261124	1	1.20 WASHER, OUTPUT RING GEAR FRT THRUST
76-79	Y (M38)	6261184	1	1.60 WASHER, SUN GEAR SHELL RR THRUST
79	Y (M38)	6261184	1	1.60 WASHER, BET LOW & REV CLU RACE & SHELL
80	Y (MV4)	6261184	1	1.60 WASHER, SUN GEAR SHELL RR THRUST
80	Y (M33)	6261184	1	1.60 WASHER, BET LOW & REV CLU RACE & SHELL
80	Y (M33, MV4)	1241725	1	1.60 WASHER, SUN GEAR THRUST
81	Y (MX3)	1241725	1	1.60 WASHER, SUN GEAR THRUST
82	Y (MD8)	8642202	1	1.55 WASHER, THRUST, REACT SHAFT TO SHELL
82	Y (MD8)	8642331	1	1.55 WASHER, THRUST, RACE TO REACT SHELL
82	Y (MD8)	8647095	1	1.05 WASHER, THRUST, INPUT CARR TO RACE

AUTOMATIC TRANSMISSION (1968 - 1982)

4.180 BUSHING-CLUTCH-CONVERSION KIT-PLATE-RACE-RETAINER-RING-ROLLER KIT-SPRAG-SPRING, Transmission Clutch(Low & Reverse)

NOTE 1: USE WITH ROLLER TYPE LOW CLUTCH.

82	Y (MD8)	8642905	1	1.30	BUSHING, REV INPUT CLU FRT
76-79	Y (M38)	6261305	1	N.L.	CLUTCH, LOW AND REV O/RUN
80	Y (M33, MV4)	6261305	1	N.L.	CLUTCH, LOW AND REV O/RUN
82	Y (MD8)	6261305	1	N.L.	CLUTCH, LOW AND REV O/RUN
82	Y (MD8) (1ST DES)	8642947	1	134.00	CONVERSION KIT, FWD CLU SPRAG (ROLLER TYPE CLU) (NOTE 2)
82	Y (MD8)	8647081	1	1.05	PLATE, FWD CLU SPRAG WEAR
76-79	Y (M38)	6261125	1	25.75	RACE, LOW AND REV O/RUN CLU
80	Y (M33, MV4)	6261125	1	25.75	RACE, LOW AND REV O/RUN CLU
82	Y (MD8)	6261125	1	25.75	RACE, LOW AND REV O/RUN CLU
82	Y (MD8)	8647090	1	32.75	RACE, FWD CLU SPRAG OTR
82	Y (MD8)	8647085	1	35.00	RETAINER, W/RACE, FWD CLU SPRAG INR (SPRAG TYPE CLU)
75-79	Y (M38)	6261051	1	.74	RING, LOW AND REV O/RUN CLU RET
76-79	Y (M38)	6261418	1	.70	RING, LOW AND REV CLU
80	Y (M33, MV4)	6261051	1	.74	RING, LOW AND REV O/RUN CLU RET
80	Y (M33, MV4)	6261418	1	.70	RING, LOW AND REV CLU
82	Y (MD8)	6261051	1	.74	RING, LOW AND REV O/RUN CLU RET
82	Y (MD8)	6261418	1	.70	RING, LOW AND REV CLU SUPT RET
82	Y (MD8)	8647083	1	.49	RING, SNAP, OVERRUN CLU HUB RET
82	Y (MD8) (1ST DES)	8628059	1	.79	RING, SNAP, OVERRUN CLU HUB RET (ROLLER TYPE CLU) (4.164)
71-77	Y (M40)	8624960	1	1.51	ROLLER KIT, LOW CLU
88-77	Y (M40)	8623842	1	29.35	SPRAG, LOW CLU (16 ROLLERS) (NOTE 1)
82	Y (MD8)	8647084	1	22.85	SPRAG, FWD CLU (SPRAG TYPE CLU)
75-79	Y (M38)	6261415	1	2.25	SPRING, LOW AND REV CLU SUPT RET
80	Y (M33, MV4)	6261415	1	2.25	SPRING, LOW AND REV CLU SUPT RET
82	Y (MD8)	6261415	1	2.25	SPRING, LOW AND REV CLU SUPT RET

4.187 BEARING KIT-GEAR-RING, Transmission Rear Internal Gear

88-77	Y (M40)	8623922	1	3.78	BEARING KIT, W/RACE, RR INTER GEAR OUTPUT THRUST
76-79	Y (M38)	1250022	1	N.L.	BEARING KIT, OUTPUT RING GEAR
80	Y (M33, MV4)	1250022	1	N.L.	BEARING KIT, OUTPUT RING GEAR
88-77	Y (M40)	8623202	1	48.10	GEAR, RR INTERNAL MAINSHAFT
76-79	Y (M38)	6261049	1	1.65	RING, INPUT AND OUTPUT RING GEAR RET (TO SUPT)
80	Y (MV4)	6261049	1	1.65	RING, INPUT AND OUTPUT RING GEAR RET (TO SUPT)

4.195 PAN, Transmission Oil

NOTE 1: PAN HAS TWO STAMPED BOSSES FOR IDENTIFICATION.

88-77	Y (M40)	8625766	1	18.15	PAN (NOTE 1)
75-79	Y (M38)	8641537	1	18.30	PAN
80	Y (M33, MV4)	8641537	1	18.30	PAN
81	Y (MX3)	8641537	1	18.30	PAN
82	Y (MD8)	8642213	1	17.85	PAN

4.196 GASKET-SCREW, Transmission Oil Pan

88-72	Y	8629807	1	N.L.	GASKET
73-78	Y (M40)	8629807	1	N.L.	GASKET
75-79	Y (M38)	25504700	1	N.L.	GASKET
77	Y (M40)	8629807	1	N.L.	GASKET
80	Y (M33, MV4)	25504700	1	N.L.	GASKET
81	Y (MX3)	25504700	1	N.L.	GASKET
82	Y (MD8)	8642360	1	2.05	GASKET
82	Y (MD8)	8654095	16		SCREW, OIL PAN

4.197 BOLT-CLIP-COVER-FILTER-GASKET-GROMMET-PIPE-SCREEN KIT-SEAL, Transmission Oil Pan

NOTE 1: FOR USE WITH 2ND DESIGN FILTER 6437741.

88-77	Y (M40)	8625769	1	.74	BOLT, SHLDR (NOTE 1)
82	Y (MD8)	8642421	2	.42	CLIP, ELEC WIRE
82	Y (MD8)	8642422	1	.42	CLIP, FLTR RET
82	Y (MD8)	8642055	1	1.60	COVER, OIL PASS
88-77	Y (M40)	6259423	1	N.L.	FILTER, W/GSKT, OIL PUMP
82	Y (MD8)	8642933	1	N.L.	FILTER, W/SEAL & GSKT, OIL
75-79	Y (M38)	6261235	1	.40	GASKET, OIL PUMP SCREEN
80	Y (MV4)	6261235	1	.40	GASKET, OIL PUMP SCREEN
81	Y (MX3)	6261235	1	.40	GASKET, OIL PUMP SCREEN
88-77	Y (M40)	6437746	1	1.08	GROMMET, PUMP FILTER (NOTE 1)

WAREHOUSING AND DISTRIBUTION DIVISION OF GENERAL MOTORS CORPORATION — CHEVROLET—14A

AUTOMATIC TRANSMISSION (1968 - 1982)

4.197 BOLT-CLIP-COVER-FILTER-GASKET-GROMMET-PIPE-SCREEN KIT-SEAL, Transmission Oil Pan (Con't)

08-77	Y (M40)	8626886	1	4.25	PIPE, OIL FILTER INLET (NOTE 1)
76-79	Y (M38)	6258504	1	N.L.	SCREEN KIT, W/GSKT, OIL PUMP
80	Y (M33, MV4)	6258504	1	N.L.	SCREEN KIT, W/GSKT, OIL PUMP
81	Y (MX3)	6258504	1	N.L.	SCREEN KIT, W/GSKT, OIL PUMP
68-77	Y (M40)	1363951	1	.57	SEAL, FILTER INT PIPE TO CASE (O-RING)

4.205 HOSE-MODULATOR-MODULATOR KIT-PIPE-RETAINER-SEAL-TEE-VALVE, Transmission Vacuum

74	Y	328560	2	.71	HOSE, VAC MOD PIPE
76-79	Y (M38)	359917	1	N.L.	MODULATOR
80	Y (MV4)	359917	1	N.L.	MODULATOR
80	Y (M33)	6259789	1	N.L.	MODULATOR
81	Y (MX3)	458464	1	13.50	MODULATOR
88-75	Y (M40)	3027222	1	N.L.	MODULATOR KIT, W/O RING
76-77	Y (M40)	3027842	1	N.L.	MODULATOR KIT, W/O RING
88-77	Y (M40)	3937972	1	15.30	PIPE, VAC MOD
68-77	Y (M40)	8627650	1	.55	RETAINER, VAC MOD
75-79	Y (M38)	6261285	1	.59	RETAINER, VAC MOD
80	Y (M33, MV4)	6261285	1	.59	RETAINER, VAC MOD
81	Y (MX3)	6261285	1	.59	RETAINER, VAC MOD
08-81	Y W/A.T.	6264903	1	.40	SEAL, VAC MOD TO CASE (4.338)
69	Y (427) W/H/PER.	3752621	1	.53	TEE, SPECIAL HOSE (NYLON) SW. HOSE (3.278)
68-77	Y (M40)	8623983	1	8.20	VALVE, MOD
76-79	Y (M38)	6261516	1	5.80	VALVE, MOD
80	Y (MV4)	14020890	1	6.10	VALVE, VAC DELAY
80	Y (M33, MV4)	6261516	1	5.80	VALVE, MOD
81	Y (MX3)	6261516	1	5.80	VALVE, MOD

4.216 BALL-PIN-PLUG-RING-RIVET-SEAT-SPACER-SPRING-STOP-VALVE-VALVE KIT-WASHER, Transmission Pressure Regulator and Oil Pump

NOTE 1: USE WITH 2ND DESIGN FILTER 6437741.

82	Y (MD8)	147495	8	.20	BALL (6.3MM)
68-72	Y	8624482	2	.52	PIN, VLV BODY COILED SPR
75-77	Y (M40)	8623292	1	.60	PLUG, PRESS REG VLV BORE (.69 O.D.)
82	Y (MD8)	11503348	1	.50	RING, OIL PUMP REV BOOST VLV RET.
82	Y (MD8)	8642619	1	.23	RIVET, OIL PUMP PRESS RLF BALL
75-79	Y (M38)	3870353	1	.59	SEAT, OIL COOLER BY-PASS VLV
80	Y (M33)	3870353	1	.59	SEAT, OIL COOLER BY-PASS VLV
68-77	Y (M40)	8623368	1	.19	SPACER, PRESS REG SPRING
68-77	Y (M40)	8625648	1	2.91	SPRING, FRT OIL PUMP PRESS REG VLV (NOTE 1)
82	Y (MD8)	8634106	1	1.06	SPRING, OIL PUMP PRESS RLF
82	Y (MD8)	8634378	1	.83	SPRING, OIL PUMP CONVR CLU VLV INR
82	Y (MD8)	8634399	1	.79	SPRING, OIL PUMP CONVR CLU VLV OTR
82	Y (MD8)	8642494	1	3.25	SPRING, OIL PUMP PRESS REG VLV
82	Y (MD8)	8634705	1	.68	STOP, CONVR CLU VLV
75-77	Y (M40)	8623422	1	5.65	VALVE, W/PLUG, PRESS REG
75-77	Y (M40)	8625902	1	9.95	VALVE, W/BSHG, REG. BOOSTER
82	Y (MD8)	8634031	1	4.32	VALVE, OIL PUMP CONVR CLU
82	Y (MD8)	8634941	1	5.90	VALVE, W/BUSH, PUMP CVR THROT VLV BOOST
82	Y (MD8)	8637546	1	8.15	VALVE, OIL PUMP PRESS REG
75-79	Y (M38)	3977543	1	.59	VALVE KIT, TRANS OIL COOLER BY-PASS
75-77	Y (M40)	8623039	1	.37	WASHER, OIL PUMP PRESS REG SPRING RET

4.224 BODY-COVER-COVER KIT-PLUG-RING-SCREEN-SLEEVE, Transmission Oil Pump

NOTE 1: USE T/W 8641904 SEAL.

68-77	Y (M40)	8625954	1	N.L.	BODY
76-79	Y (M38)	8641911	1	N.L.	BODY (NOTE 1)
80	Y (MV4)	8641590	1	N.L.	BODY
80	Y (M33)	8641911	1	N.L.	BODY (NOTE 1)
81	Y (MX3)	8641590	1	N.L.	BODY
82	Y (MD8)	8642986	1	122.00	BODY, PUMP
68-77	Y (M40)	8625955	1	127.80	COVER, FRT OIL PUMP
76-79	Y (M38)	464181	1	N.L.	COVER
80	Y (MV4)	14022147	1	N.L.	COVER
81	Y (MX3)	14022147	1	N.L.	COVER
82	Y (MD8)	8647189	1	174.00	COVER (COMPL)
80	Y (M33)	464181	1	N.L.	COVER KIT, PUMP
81	Y (MX3)	464181	1	N.L.	COVER KIT, PUMP

AUTOMATIC TRANSMISSION (1968 - 1982)

4.224		BODY-COVER-COVER KIT-PLUG-RING-SCREEN-SLEEVE,			
		Transmission Oil Pump		(Con't)	
82	Y (MD8)	8623886	8	55	PLUG, PUMP CVR (6.8MM DIA)
82	Y (MD8)	8631146	2	68	PLUG, OIL PUMP CVR AIR BLEED (4.3MM DIA)
82	Y (MD8)	8634284	1	68	PLUG, PUMP CVR ORIFICE(4.85MM DIA)
82	Y (MD8)	8634285	1	68	PLUG, PUMP CVR ORIFICE(6.84MM DIA)
77-79	Y (M38)	8640103	1	1.30	RING, PUMP CVR STEADY REST (NAT/WHITE)
77-79	Y (M38)	8640627	1	1.45	RING, PUMP CVR STEADY REST (PURPLE)
77-79	Y (M38)	8640628	1	1.45	RING, PUMP CVR STEADY REST (GREEN)
77-79	Y (M38)	8640629	1	1.25	RING, PUMP CVR STEADY REST (YELLOW)
80	Y (M33)	8640627	1	1.45	RING, PUMP CVR STEADY REST (PURPLE)
80	Y (M33)	8640629	1	1.25	RING, PUMP CVR STEADY REST (YELLOW)
80	Y (M33, MV4)	8640103	1	1.30	RING, PUMP CVR STEADY REST (NAT/WHITE)
81	Y (MX3)	8640103	1	1.30	RING, PUMP CVR STEADY REST (NAT/WHITE)
81	Y (MX3)	8640627	1	1.45	RING, PUMP CVR STEADY REST (PURPLE)
81	Y (MX3)	8640628	1	1.45	RING, PUMP CVR STEADY REST (GREEN)
81	Y (MX3)	8640629	1	1.25	RING, PUMP CVR STEADY REST (YELLOW)
76-79	Y (M38)	6261323	1	1.15	SCREEN, PUMP PRESS
80	Y (M33, MV4)	6261323	1	1.15	SCREEN, PUMP PRESS
82	Y (MD8)	8642912	1	1.30	SCREEN, W/SEAL,PUMP CVR
82	Y (MD8)	8631290	2	39	SLEEVE, SPRING RET
4.226		BEARING-BOLT-BUSHING-GASKET-GUIDE-PIN-RETAINER-		RING-SCREW-SEAL-SEAL KIT-SPACER-SPRING-VANE- WASHER,	
		Transmission Oil Pump			
79	Y (M38)	9436851	1	5.15	BEARING, OIL PUMP THRUST (4.164)
81	Y (MX3)	9436851	1	5.15	BEARING, OIL PUMP THRUST (4.164)
82	Y (MD8)	8642417	7	.78	BOLT, W/WA, OIL PUMP TO CASE (M8X1.25X60)
68-72	Y	8623944	1	4.02	BUSHING, CONV STATOR SHF (4.161)
68-79	Y (M38)	8623940	1	N.L.	BUSHING, OIL PUMP BODY
76-77	Y (M38)	6261022	1	1.10	BUSHING, STATOR SHF RR
80	Y (M33, MV4)	8623940	1	N.L.	BUSHING, OIL PUMP BODY
82	Y (MD8)	8628913	1	4.42	BUSHING, OIL PUMP BODY
82	Y (MD8)	8628915	1	5.05	BUSHING, STATOR SHF FRT
82	Y (MD8)	8642904	1	3.00	BUSHING, STATOR SHF RR
68-77	Y (M40)	8623978	1	N.L.	GASKET, FRT OIL PUMP TO CASE
76-79	Y (M38)	6261584	1	N.L.	GASKET, OIL PUMP TO CASE
80	Y (M33, MV4)	8640671	1	1.15	GASKET, OIL PUMP TO CASE
81	Y (MX3)	8640671	1	1.15	GASKET, OIL PUMP TO CASE
82	Y (MD8)	8642040	1	1.10	GASKET, OIL PUMP CVR TO CASE
82	Y (MD8)	8634271	1	1.10	GUIDE, OIL PUMP ROTOR
68-77	Y (M40)	8623078	2	.18	PIN, FRT OIL PUMP PRESS REG VLV PLUG RET
82	Y (MD8)	8628273	1	1.05	PIN, ACCUM PSTN
82	Y (MD8)	8634097	1	1.03	PIN, PIV SLIDE
82	Y (MD8)	8628732	3	.32	RETAINER, W/BALL,PUMP CVR
68-74	Y	8626356	2	.92	RING, FRT OIL PUMP OIL SEAL
82	Y (MD8)	8628055	2	.98	RING, PUMP STATOR SHF OIL SEAL
82	Y (MD8)	8634086	2	2.62	RING, PUMP VANE
75-79	Y (M38)	6261374	8	.45	SCREW, W/WA, OIL PUMP TO CASE
80	Y (M33, MV4)	6261374	8	.45	SCREW, W/WA, OIL PUMP TO CASE
82	Y (MD8)	8634276	3	.41	SCREW, PUMP CVR (M6 X 1 X 16.0)
68-74	Y	3084683	8	.30	SEAL, FRT OIL PUMP TO TRANS CASE
68-74	Y	8626916	1	N.L.	SEAL, FRT OIL PUMP
75-80	Y	6261413	8	1.25	SEAL, FRT OIL PUMP TO TRANS CASE
75-80	Y	8641952	1	3.25	SEAL, FRT OIL PUMP
81	Y	8641904	1	2.85	SEAL, FRT OIL PUMP
81	Y (MX3)	6261413	1	1.25	SEAL, OIL PUMP OTR
81	Y (MX3)	8641952	1	3.25	SEAL, FRT PUMP
82	Y (MD8)	6261413	1	1.25	SEAL, OIL PUMP TO CASE
82	Y (MD8)	6264903	1	.40	SEAL, OIL FILTER TO PUMP (4.338)
82	Y (MD8)	8630921	1	3.83	SEAL, PUMP FRT
82	Y (MD8)	8634906	1	5.05	SEAL KIT, W/SUPT, PUMP SLIDE
76-79	Y (M38)	332505	1	.50	SPACER, OIL PUMP THRUST
80	Y (M33, MV4)	332505	1	.50	SPACER, OIL PUMP THRUST
81	Y (MX3)	332505	1	.50	SPACER, OIL PUMP THRUST
82	Y (MD8)	8634078	1	1.10	SPRING, PUMP SLIDE
82	Y (MD8)	8634098	1	.71	SPRING, PIV PIN

AUTOMATIC TRANSMISSION (1968 - 1982)

4.226 BEARING-BOLT-BUSHING-GASKET-GUIDE-PIN-RETAINER-RING-SCREW-SEAL-SEAL KIT-SPACER-SPRING-VANE- WASHER, Transmission Oil Pump (Con't)

92	Y (MD8)	8631280	7	3.90	VANE, PUMP
82	Y (MD8)	8634904	1	21.75	VANE, W/RING, PUMP
68-77	Y (M40)	8626281	AR	.32	WASHER, PUMP TO CASE BOLT
82	Y (MD8)	8642041	1	.36	WASHER, DRUM TO OIL PUMP THR

4.228 COVER-HOUSING-PIN-PISTON-RETAINER-RING-ROD-SEAL, Transmission Servo & Accumulator

NOTE 1: USED ON 1982 MODELS PRIOR TO TRANS. SERIAL NO. 9-184D.

NOTE 2: USED ON 1982 MODELS AFTER TRANS. SERIAL NO. 9-184D.

76-79	Y (M38)	1243476	1	2.25	COVER, INTER CLU ACCUM PSTN
80	Y (M33, MV4)	1243476	1	2.25	COVER, INTER CLU ACCUM PSTN
81	Y (MX3)	1243476	1	2.25	COVER, INTER CLU ACCUM PSTN
82	Y (1ST DES)	8642967	1	12.60	COVER, W/PIN, 1-2 ACCUM (NOTE 1)
82	Y (2ND DESIGN)	8647347	1	12.60	COVER, W/PIN, 1-2 ACCUM (NOTE 2)
82	Y (MD8)	8642937	1	8.80	HOUSING, W/SEAL, SERVO PSTN INR
82	Y (MD8)	8642095	1	13.00	PIN, 2ND APPLY (2 RINGS)
82	Y (MD8)	8642096	1	13.00	PIN, 2ND APPLY (3 RINGS)
82	Y (MD8)	8642097	1	13.15	PIN, 2ND APPLY (WIDE BAND)
71-77	Y (M40)	8626878	1	4.97	PISTON, FRT
71-76	Y (M40)	8626883	1	10.35	PISTON, FRT ACCUM
76-79	Y (M38)	342494	1	5.25	PISTON, W/SEALS, INTER SERVO
76-79	Y (M38)	1239836	1	6.25	PISTON, W/SEALS, INTER CLU ACCUM
77	Y (M40)	8629080	1	8.65	PISTON, FRT ACCUM
80	Y (M33, MV4)	342494	1	5.25	PISTON, W/SEALS, INTER SERVO
80	Y (M33, MV4)	1239836	1	6.25	PISTON, W/SEALS, INTER CLU ACCUM
81	Y (MX3)	342494	1	5.25	PISTON, INTER SERVO
81	Y (MX3)	1239836	1	6.25	PISTON, W/SEAL, INTER CLU ACCUM
82	Y (MD8)	8642079	1	18.90	PISTON, 2ND APPLY
82	Y (MD8)	8642478	1	13.00	PISTON, 4TH APPLY
82	Y (MD8)	8642946	2	7.90	PISTON, W/SEAL, 1-2 & 3-4 ACCUM
76-79	Y (M38)	6280138	1	.43	RETAINER, INTER CLU ACCUM PSTN CVR
80	Y (M33, MV4)	6280138	1	.43	RETAINER, INTER CLU ACCUM PSTN CVR
81	Y (MX3)	6280138	1	.43	RETAINER, INTER CLU ACCUM PSTN CVR
82	Y (MD8)	8634400	1	2.02	RETAINER, W/BALL, 3RD ACCUM
71-77	Y (M40)	8628884	1	.52	RING, FRT SERVO SPRING RET
82	Y (MD8)	8642124	1	3.90	RING, SERVO CVR RET
71-77	Y (M40)	8628879	1	2.09	ROD, FRT SERVO PSTN
76-79	Y (M38)	6281008	1	4.90	ROD, INTER SERVO APPLY (22 7/32" O.L.)
80	Y (M33, MV4)	6281008	1	4.90	ROD, INTER SERVO APPLY (22 7/32" O.L.)
81	Y (MX3)	6281008	1	4.90	ROD, INTER SERV APPLY (22 7/32" O.L.)
82	Y (MD8)	8630120	2	.24	SEAL, 2ND APPLY PSTN PIN

4.229 PIN-RING-SEAL-SEAL KIT, Transmission Servo & Accumulator

82	Y (MD8)	8642125	1	1.10	PIN, BAND ANC
68-77	Y (M40)	8623131	1	1.67	RING, FRT SERVO PSTN OIL SEAL
68-77	Y (M40)	8623653	1	.95	RING, FRT ACCUM PSTN OIL SEAL
76-79	Y (M38)	6281322	1	.40	RING, DIR CLU ACCUM
80	Y (M33, MV4)	6281322	1	.40	RING, DIR CLU ACCUM
81	Y (MX3)	6281322	1	.40	RING, DIR CLU ACCUM
82	Y (MD8)	8634181	2	1.03	RING, 1-2 & 3-4 ACCUM PSTN OIL SEAL
82	Y (MD8)	8642105	1	1.85	RING, 2ND APPLY PSTN RET
82	Y (MD8)	8642480	1	1.10	RING, 4TH APPLY PSTN OTR OIL SEAL
75-79	Y (M38)	338926	1	.52	SEAL, INTER CLU ACCUM PSTN CVR
75-79	Y (M38)	6280320	1	1.10	SEAL, DIR CLU ACCUM PSTN
75-79	Y (M38)	6280320	1	1.10	SEAL, INTER SERVO PSTN
80	Y (M33, MV4)	338926	1	.52	SEAL, INTER CLU ACCUM PSTN CVR
80	Y (M33, MV4)	6280320	1	1.10	SEAL, DIR CLU ACCUM PSTN
80	Y (M33, MV4)	6280320	1	1.10	SEAL, INTER SERVO PSTN
81	Y (MX3)	338926	1	.52	SEAL, INTER CLU ACCUM PSTN CVR
81	Y (MX3)	6280320	1	1.10	SEAL, DIR CLU ACCUM PSTN
81	Y (MX3)	6280320	1	1.10	SEAL, INTER SERVO PSTN
82	Y (MD8)	8642112	1	1.10	SEAL, O-RING, SERVO PSTN INR HSG
82	Y (MD8)	8647351	1	1.10	SEAL, O-RING, 2ND & 4TH SERVO CVR
82	Y (MD8)	8642925	1	1.10	SEAL KIT, 2ND APPLY PSTN

4.233 RETAINER-SEAT-SPRING-WASHER, Transmission Servo & Accumulator

71-77	Y (M40)	8626881	1	.64	RETAINER, FRT SERVO SPRING
82	Y	8642416	1	.98	RETAINER, SERVO CUSH SPR
76-79	Y (M38)	6261178	1	.43	SEAT, INTER SERVO PSTN SPRING
80	Y (M33, MV4)	6261178	1	.43	SEAT, INTER SERVO PSTN SPRING
68-77	Y (M40)	8623489	1	1.23	SPRING, FRT SERVO PSTN
68-69	Y (427) W/4BC, H/PER.	8624358	1	3.43	SPRING, FRT ACCUM PSTN

WAREHOUSING AND DISTRIBUTION DIVISION OF GENERAL MOTORS CORPORATION - CHEVROLET-14A

REV. 12-83

4-39

4.226-4.233

F-20

AUTOMATIC TRANSMISSION (1968 - 1982)

4.233		RETAINER-SEAT-SPRING-WASHER, Transmission Servo & Accumulator (Con't)		
69	Y (427) H/PER. (EXC. 48C)	8623676	1 2.62	SPRING, FRT ACCUM PSTN
70-72	Y (350)	8624358	1 3.43	SPRING, FRT ACCUM PSTN
70	Y (454)	8623676	1 2.62	SPRING, FRT ACCUM PSTN
71	Y (454) (EXC. SP. H/PER.)	8623654	1 2.03	SPRING, FRT ACCUM PSTN
72	Y (454)	8623676	1 2.62	SPRING, FRT ACCUM PSTN
73-75	Y (350) (EXC. SP. H/PER.)	8623676	1 2.62	SPRING, FRT ACCUM PSTN
73-76	Y (350) (M40) (EXC. SP. H/PER.)	8624358	1 3.43	SPRING, FRT ACCUM PSTN
73	Y (350) W/SP. H/PER.	8623674	1 2.32	SPRING, FRT ACCUM PSTN
75-79	Y (M38)	6261229	1 2.15	SPRING, INTER SERVO PSTN
75-77	Y (M40)	8623674	1 2.32	SPRING, FRT ACCUM PSTN
76-79	Y (M38)	6261140	1 2.25	SPRING, INTER CLU ACCUM PSTN
76-79	Y (M38)	6261615	1 1.60	SPRING, DIR CLU ACCUM PSTN
80	Y (MV4)	6261140	1 2.25	SPRING, INTER CLU ACCUM PSTN
80	Y (MV4)	6261615	1 1.60	SPRING, DIR CLU ACCUM PSTN
80	Y (M33)	6261419	1 1.80	SPRING, INTER CLU ACCUM PSTN
80	Y (M33, MV4)	6261229	1 2.15	SPRING, INTER SERVO PSTN
80	Y (305) (M33)	6260373	1 2.70	SPRING, DIR CLU ACCUM PSTN
81	Y (MX3)	6260373	1 2.70	SPRING, DIR CLU ACCUM
81	Y (MX3)	6261333	1 2.20	SPRING, INTER CLU ACCUM PSTN
82	Y	8642539	1 1.45	SPRING, SERVO CUSH
82	Y (MD8)	8634162	2 1.30	SPRING, 1-2 & 3-4 ACCUM
82	Y (MD8)	8642106	1 1.45	SPRING, SERVO APPLY PIN
82	Y (MD8)	8642273	1 .65	SPRING, SERVO RTN
75-79	Y (M38)	8623362	1 .37	WASHER, INTER SERVO PSTN
80	Y (M33, MV4)	8623362	1 .37	WASHER, INTER SERVO PSTN
81	Y (MX3)	8623362	1 .37	WASHER, INTER SERVO PSTN
82	Y (MD8)	8642107	1 .95	WASHER, SERVO APPLY PIN

4.241 COVER-GASKET-PIN-PISTON-PLATE-WASHER, Transmission Rear Servo

NOTE 1: CONSISTS OF PISTON, 1 TEFLON AND 1 ALUMINUM SEAL RING.
NOTE 2: USED ON 1982 MODELS PRIOR TO TRANS. SERIAL NO. 9-1840, NO COMPARABLE 2ND DESIGN.

68-77	Y (M40)	8624136	1 8.10	COVER, RR
82	Y (MD8)	8642927	1 9.05	COVER, W/SEAL, 2ND & 4TH SERVO
68-77	Y (M40)	8623174	1 .55	GASKET, RR CVR
82	Y (1ST DES)	8642129	1 .60	GASKET, ACCUM CVR TO ACCUM PLT (NOTE 2)
68-77	Y (M40)	8624139	1 5.25	PIN, RR PSTN-1 RING (3 5/16" O.L.)
68-77	Y (M40)	8624140	1 5.25	PIN, RR PSTN-2 RINGS (3 3/8" O.L.)
68-77	Y (M40)	8624141	1 5.25	PIN, RR PSTN-3 RINGS (3 7/16" O.L.)
68-77	Y (M40)	8624138	1 13.15	PISTON, RR
68-77	Y (M40)	8628902	1 15.30	PISTON, RR ACCUM (NOTE 1)
82	Y	8642967	1 12.60	PLATE, W/GSKT, ACCUM
68-77	Y (M40)	8623744	1 .60	WASHER, RR PSTN

4.242 RING-SEAL, Transmission Rear Servo

68-77	Y (M40)	8623671	1 2.27	RING, RR ACCUM PSTN INR OIL SEAL
71-77	Y (M40)	8627153	1 1.28	RING, RR ACCUM PSTN OTR OIL SEAL
76-77	Y (M38)	1239836	1 6.25	RING, INTER CLU ACCUM PSTN SEAL
68-72	Y	8623672	1 2.15	SEAL, RR ACCUM PSTN OTR OIL SEAL
68-77	Y (M40)	8623430	1 .75	SEAL, RR PSTN
76-77	Y (M38)	6261139	1 2.95	SEAL, INTER CLU ACCUM PSTN OTR

4.246 RETAINER-SPRING, Transmission Rear Servo

68-77	Y (M40)	8623664	1 .74	RETAINER, RR SERVO PSTN SPRING
68-76	Y (M38)	8624256	1 1.23	SPRING, RR ACCUM
68-77	Y (M40)	8623666	1 1.23	SPRING, RR SERVO
68-77	Y (M40)	8624391	1 1.51	SPRING, RR ACCUM

4.248 PIPE-SCREEN, Transmission Oil

68-77	Y (M40)	8623157	1 2.02	PIPE, GOV OIL
71-77	Y (M40)	8627509	1 .94	SCREEN, GOV
75-79	Y (M38)	6273269	1 .71	SCREEN, GOV
80	Y (M33, MV4)	6273269	1 .71	SCREEN, GOV
82	Y (MD8)	8642423	2 4.25	SCREEN, GOV OIL PRESS (CONVR CLU & GOV FEED)

4.251 BAND, Transmission Brake

68-77	Y (M40)	8623155	1 40.20	BAND, RR (COMPLETE)
68-77	Y (M40)	12300852	1 N.L.	BAND, FRT
76-79	Y (M38)	6261132	1 N.L.	BAND, INTER O/RUN BRAKE
80	Y (M33, MV4)	6261132	1 N.L.	BAND, INTER O/RUN BRAKE

AUTOMATIC TRANSMISSION (1968 - 1982)

4.251 BAND, Transmission Brake (Con't)
4.256 BALL-BUSHING-CAP-COVER-GASKET-GEAR-GEAR KIT- GOVERNOR-GOVERNOR KIT-PIN-RETAINER-SEAL, Transmission Governor

81	Y (MX3)	8261132	1	N.L.	BAND, INTER O/RUN BRAKE
NOTE 1: CONTAINS GEAR 8623925					
78-80	Y (305, 350) (EXC. SP H/PERF)	453589	AR	43	BALL, HYD VLV LIFTER CHK
81	Y (350) (MX3)	453589	AR	43	BALL, HYD VLV LIFTER CHK
82	Y (MD8)	8622767	1	27	BALL, OVERRUN CLU (4 76MM)
81	Y (MX3)	1235259	1	3.50	BUSHING, GOV SLEEVE
75-79	Y (M38)	8261239	1	71	CAP, GOV
80	Y (M33, MV4)	8261239	1	71	CAP, GOV
81	Y (MX3)	8261239	1	71	CAP, GOV
82	Y (MD8)	8261239	1	71	CAP, GOV
68-77	Y (M40)	8623262	1	1.77	COVER, GOV
76-79	Y (M38)	8261067	1	2.40	COVER, GOV
80	Y (M33, MV4)	8261067	1	2.40	COVER, GOV
82	Y (MD8)	8261067	1	2.40	COVER, GOV
68-78	Y	8623263	1	.45	GASKET, GOV COVER
82	Y (MD8)	8642928	1	7.50	GEAR, W/PINS, GOV DRIVE
68-77	Y (M40) (2ND DESIGN)	8623924	1	5.85	GEAR KIT, W/PIN, GOV DRIVEN (NOTE 1)
74-79	Y (M38)	8261660	1	1.85	GEAR KIT, DRIVEN
80	Y (M33, MV4)	8261660	1	1.85	GEAR KIT, DRIVEN
68-69	Y (427)	8625622	1	36.25	GOVERNOR, W/OUT STOP PIN
69	Y (350)	8627442	1	40.70	GOVERNOR (COMPLETE)
69	Y (427) (EXC. 48C)	8627442	1	40.70	GOVERNOR (COMPLETE)
70-72	Y (350)	8627443	1	40.65	GOVERNOR
70	Y (454)	8623852	1	39.85	GOVERNOR
71	Y (454) (EXC. SP. H/PER.)	8627443	1	40.65	GOVERNOR
71	Y (454) W/SP. H/PER.	8627444	1	40.70	GOVERNOR
72-74	Y (454)	8627443	1	40.65	GOVERNOR
73-76	Y (350) (M40) (EXC. SP. H/PER.)	8627443	1	40.65	GOVERNOR
73-77	Y (350) W/SP. H/PER.	8627444	1	40.70	GOVERNOR
77	Y (M38)	370366	1	N.L.	GOVERNOR
78-79	Y (M38)	476033	1	20.95	GOVERNOR
80	Y (MV4)	476033	1	20.95	GOVERNOR
80	Y (305H) (M33)	8640234	1	N.L.	GOVERNOR
81	Y (MX3)	8640001	1	45.00	GOVERNOR
82	Y	8542730	1	45.00	GOVERNOR
80	Y (M33, MV4)	8261660	1	1.85	GOVERNOR KIT, DRIVEN GEAR
68-82	Y (MD8)	8623232	2	.37	PIN, GOV WEIGHT (1 7/8" O.L.)
76-79	Y (M38)	8260040	1	.43	RETAINER, GOV CVR
80	Y (M33)	8260040	1	.43	RETAINER, GOV CVR
75-79	Y (M38)	1241734	1	.58	SEAL, GOV CVR
80-81	Y (M33, MX3)	1241734	1	.58	SEAL, GOV CVR

4.265 BALL-CONNECTOR-GASKET-GASKET KIT-PIN-PLATE- PLUG-SUPPORT-SWITCH-VALVE-VALVE KIT-WASHER, Transmission Control Valve

NOTE 1: USED ON 1982 MODELS PRIOR TO TRANS. SERIAL NO. 9-184D.
NOTE 2: USED ON 1982 MODELS AFTER TRANS. SERIAL NO. 9-184D.

74-81	Y	8261179	1	.58	BALL, VLV BODY OIL CHK (6.35MM RUBBER)
68-77	Y	8629503	1	2.37	CONNECTOR, SOL VLV
68-77	Y	8623563	1	1.18	GASKET, CASE TO TRANSFER PLT UPR
68-77	Y	8623741	1	.34	GASKET, SOL VLV
73-77	Y	8623561	1	1.18	GASKET, CONT VLV TRANSFER PLT
74-79	Y	8640092	1	1.30	GASKET, VLV BODY LWR
75-79	Y (M33, M38)	330189	1	1.20	GASKET, VLV BODY SPCR PLT UPR
80	Y (MV4)	8640671	1	1.15	GASKET, OIL PUMP TO CASE
80	Y (MV4)	8641420	1	1.30	GASKET, VLV BODY SPCR TO CASE
80	Y (MV4)	8641421	1	1.30	GASKET, VLV BODY TO SPCR PLT
80	Y (M33)	330189	1	1.20	GASKET, VLV BODY SPCR PLT UPR
80	Y (M33)	8640092	1	1.30	GASKET, VLV BODY LWR
81	Y (MX3)	8641421	1	1.30	GASKET, VLV BODY TO SPCR PLT LWR
81	Y (MX3)	8641470	1	1.30	GASKET, VLV BODY SPCR PLT UPR
82	Y	8642952	1	1.25	GASKET KIT, VLV BODY SPCR PLT (NOTE 1)
68-74	Y	8623078	1	.18	PIN, VLV 2, 3 SPRING RETENTION (4.226)
68-77	Y	8623507	1	.52	PIN, DETENT REG. VLV
68-77	Y	8624480	2	.52	PIN, VLV BODY COILED SPR
68-77	Y	8625324	1	.41	PIN, CONT VLV 3-2 VLV
68-77	Y	8625544	1	.52	PIN, VLV BODY PLUG RET (GROOVED)
75-77	Y	8622045	1	.19	PIN, VLV BODY (20.83MM LONG)

AUTOMATIC TRANSMISSION (1968 - 1982)

**4.265 BALL-CONNECTOR-GASKET-GASKET KIT-PIN-PLATE-
PLUG-SUPPORT-SWITCH-VALVE-VALVE KIT-WASHER,
Transmission Control Valve (Con't)**

76-77	Y	8623507	1	52	PIN, DETENT REG VLV
82	Y (MD8)	8628386	2	68	PIN, VLV BODY COILED SPR(20MM LONG)
82	Y (MD8)	8628400	10	56	PIN, VLV BODY COILED SPR(25MM LONG)
89-70	Y (350, 427, 454)	8624461	1	8.10	PLATE, VLV BODY SPCR
89-72	Y (350, 427)	8625652	1	7.05	PLATE, VLV BODY SPCR
71-74	Y (454) (EXC. SP. H/PER)	8625663	1	6.75	PLATE, VLV BODY SPCR
71	Y (454) W/SP. H/PER	8624461	1	6.10	PLATE, VLV BODY SPCR
73-76	Y (350) (EXC. SP. H/PER)	8625663	1	6.75	PLATE, VLV BODY SPCR
76-79	Y	14008963	1	12.10	PLATE, VLV BODY SPCR
77	Y	8629082	1	6.65	PLATE, VLV BODY SPCR
80	Y (MV4)	8641418	1	13.00	PLATE, VLV BODY SPCR
80	Y (M33)	14008963	1	12.10	PLATE, VLV BODY SPCR
81	Y (MX3)	8641467	1	13.00	PLATE, VLV BODY SPCR
82	Y (MD8)	8654083	1	4.25	PLATE, VLV BODY SPCR
88-77	Y	8623292	1	60	PLUG, PRESS REG VLV BORE
88-77	Y	8623295	1	59	PLUG, VLV BODY DETENT(12.70MM O D)
88-77	Y	8623298	1	62	PLUG, VLV BORE(11.10MM DIA)
88-78	Y	8625546	1	56	PLUG, VLV BORE(14.22MM DIA)
74-80	Y	6261208	1	72	PLUG, MANUAL LOW CONT VLV
80	Y (MV4)	8641044	1	75	PLUG, AUX VLV BODY
81	Y (MX3)	8641044	1	75	PLUG, AUX VLV BODY
82	Y (MD8)	8625546	1	56	PLUG, VLV BORE(14.22MM DIA)
82	Y (MD8)	8834239	3	99	PLUG, VLV BORE (12.5MM)
82	Y (MD8)	8639141	1	86	PLUG, CUP(8.38MM DIA)
82	Y (MD8)	8647185	3	68	PLUG, CLU & ACCUM PRESS(1/4-18 PIPE)
82	Y (MD8)	8647453	1	1.75	PLUG, THROT VLV LIMIT VLV
74-79	Y	338905	1	2.40	SUPPORT, SPCR PLT
80	Y (M33)	338905	1	2.40	SUPPORT, SPCR PLT
81	Y (MX3)	8641051	1	2.40	SUPPORT, SPCR PLT
80	Y (MV4)	8648062	1	12.00	SWITCH, VLV BODY GOV PRESS
81	Y (MX3)	8634333	1	7.15	SWITCH, OIL PRESS (2 BUTTON)
81	Y (MX3)	8643710	1	9.20	SWITCH, OIL PRESS(2 BUTTON)
82	Y (MD8)	8634475	1	12.00	SWITCH, 4TH CLU OIL PRESS (1 PRONG)
82	Y (MD8)	8642346	1	4.00	SWITCH, 4-3 PULSE OIL PRESS
88-74	Y	8623422	1	5.65	VALVE, W/PLUG, PRESS REG
88-77	Y	8623592	1	3.45	VALVE, MANUAL CONT
75	Y (350) (EXC. SP. H/PER)	8629114	1	174.10	VALVE
75	Y (350) W/SP. H/PER	8627656	1	174.10	VALVE
76-77	Y	8629330	1	174.10	VALVE
76-79	Y (M38)	8640146	1	160.00	VALVE
80	Y (MV4)	8641257	1	160.00	VALVE
80	Y (M33)	8641397	1	160.00	VALVE
80	Y (305) (M33)	8640934	1	160.00	VALVE
81	Y (MX3)	8641068	1	32.25	VALVE, AUX CONT
81	Y (MX3)	8641568	1	160.00	VALVE, CONT
82	Y	8642404	1	155.00	VALVE, CONT
82	Y (MD8)	8642336	1	10.70	VALVE, MAN
82	Y (MD8)	8642921	1	10.70	VALVE, W/ BUSH & SLEEVE, REV BOOST
75-79	Y	1394763	1	11.05	VALVE KIT, MANUAL
80	Y (M33, MV4)	1394763	1	11.05	VALVE KIT, MANUAL
68-77	Y	8623039	1	.37	WASHER, FRT OIL PUMP PRESS REG VLV SPRING RET

**4.275 LEVER-LINK-NUT-PIN-RETAINER-SEAL-SHAFT-SPRING-WIRE,
Transmission Throttle Valve**

82	Y (MD8)	8642351	1	6.65	LEVER, W/BRKT, THROT
75-79	Y (M38)	6260155	1	.95	LINK, MANUAL VLV CONT
80	Y (M33, MV4)	6260155	1	.95	LINK, MANUAL VLV CONT
82	Y (MD8)	8642290	1	.92	LINK, THROT LVR TO CBL
82	Y (MD8)	8628146	AR	1.09	NUT, MAN SHF TO 1/8 DETENT LVR
68-74	Y	8623232	1	.37	PIN, MANUAL SHAFT (4.256)
75-79	Y (M38)	6261288	1	.40	PIN, DETENT VLV ACTR LVR
80	Y (M33, MV4)	6261288	1	.40	PIN, DETENT VLV ACTR LVR
82	Y (MD8)	8642246	1	1.85	RETAINER, MAN SHAFT
73-74	Y	8621767	1	.53	SEAL, PARK BRK LK AND RANGE SEL SHF
68-77	Y (M40)	8626979	1	8.40	SHAFT, MAIN
76-77	Y (M38)	470107	1	3.75	SHAFT, PARK LK AND RANGE SEL
82	Y (MD8)	8642913	1	9.40	SHAFT, W/SEAL, MAN
74-79	Y (M38)	6260153	1	1.85	SPRING, DETENT
80	Y (M33, MV4)	6260153	1	1.85	SPRING, DETENT
82	Y	8642247	1	1.80	SPRING, MANUAL DETENT
82	Y (MD8)	8642247	1	1.80	SPRING, MAN DETENT
74-79	Y (M38)	1243133	1	.80	WIRE, DETENT VLV CONT

AUTOMATIC TRANSMISSION (1968 - 1982)

4.275		LEVER-LINK-NUT-PIN-RETAINER-SEAL-SHAFT-SPRING-WIRE, Transmission Throttle Valve (Con't)			
80	Y (M33, MV4)	1243133	1	80	WIRE, DETENT VLV CONT
4.279		CLIP-LEVER-LINK, Transmission Detent			
82	Y (MD8)	8642871	1	38	CLIP, LINK TO DETENT LVR
68-77	Y (M40)	8624336	2	4.32	LEVER, PARK BRK AND RANGE SEL SHAFT
74-79	Y (M38)	8261186	1	71	LEVER, DETENT VLV ACTU
76-79	Y (M38)	330136	1	3.30	LEVER, PARK LK AND RANGE SEL INR
80	Y (M33, MV4)	330136	1	3.30	LEVER, PARK LK AND RANGE SEL INR
80	Y (M33, MV4)	8261186	1	71	LEVER, DETENT VLV ACTU
82	Y (MD8)	8642243	1	92	LEVER, 1/2 DETENT
82	Y (MD8)	8654113	1		LINK, MAN VLV
4.282		SEAL, Transmission Manual Shaft			
75-79	Y (M38)	8623056	1	1.10	SEAL, MAN SHF
80	Y (M33, MV4)	8623056	1	1.10	SEAL, MAN SHF
81-82	Y W/A.T	8623055	1	1.10	SEAL, PK LK & RANGE SEL SHF
4.290		ACTUATOR-BOLT-BRACKET-RETAINER, Transmission Parking Brake			
68-77	Y (M40)	8624091	1	8.10	ACTUATOR, PK LK
76-80	Y W/A.T	8641818	1	5.95	ACTUATOR, PK LK
82	Y (MD8)	8642241	1	9.00	ACTUATOR, PK LK
74-79	Y (M38)	1242422	2	30	BOLT, PK LK BRKT TO CASE
80	Y (M33, MV4)	1242422	2	30	BOLT, PK LK BRKT TO CASE
68-76	Y (M40)	8623042	1	6.45	BRACKET
76-79	Y (M38)	1377861	1	2.25	BRACKET, PK LK REACT
77	Y (M40)	8624112	1	6.35	BRACKET, PK LK
80	Y (M33, MV4)	1377861	1	2.25	BRACKET, PK LK REACT
82	Y (MD8)	8642626	1	7.05	BRACKET, PK LK
75-79	Y (M38)	8261347	1	43	RETAINER, PK LK & SEL
80	Y (M33, MV4)	8261347	1	43	RETAINER, PK LK & SEL
81	Y (MX3)	8261347	1	43	RETAINER, PK LK & SEL
4.293		ROLLER, Transmission Manual Detent			
68-77	Y (M40)	8625773	1	2.52	ROLLER, W/SPRING, MANUAL DETENT
4.294		PAWL-PLUG-SHAFT-SHAFT KIT, Transmission Parking Brake			
NOTE 1: METRIC THREAD ON EXTERNAL END OF SHAFT. BLUE PAINT IDENTIFICATION					
68-77	Y (M40)	8623037	1	7.30	PAWL
76-79	Y (M38)	8261657	1	6.25	PAWL
80	Y (M33, MV4)	8261657	1	6.25	PAWL
82	Y (MD8)	8642239	1	6.05	PAWL
75-77	Y (M40)	8620318	1	37	PLUG, CUP (9.65MM DIA STEEL)
68-77	Y (M40)	8624976	1	1.25	SHAFT, W/PLUG, PARK PAWL
72-77	Y (M38)	470107	1	3.75	SHAFT, W/NUT, PARK PAWL (NOTE 1)
75-79	Y (M38)	470107	1	3.75	SHAFT, W/NUT, PARK LK AND RANGE SEL (NOTE 1)
80	Y (M33, MV4)	470107	1	3.75	SHAFT, W/NUT, PARK LK AND RANGE SEL (NOTE 1)
75-82	Y	3977619	1	58	SHAFT KIT, W/PLUG, PK LK PAWL
4.295		SPRING, Transmission Parking Brake			
68-77	Y (M40)	8623041	1	74	SPRING, PAWL RTN
75-79	Y (M38)	8261528	1	76	SPRING, PARK LK DISENGAGE
80	Y (MV4)	8261528	1	76	SPRING, PARK LK DISENGAGE
80	Y (M33)	8280253	1	67	SPRING, PARK LK DISENGAGE
81	Y (MX3)	8280253	1	67	SPRING, PARK LK PAWL DISENGAGE
82	Y (MD8)	8642193	1	92	SPRING, PK PAWL RET
4.317		EXTENSION-EXTENSION KIT, Transmission Rear			
NOTE 1: 6.0 METRIC THREAD REQUIRED FOR SPEED CABLE.					
NOTE 2: HAS .78 DIA. SPEEDO SLEEVE HOLE. (CHEVY BUILT)					
68-77	Y (M40)	8627985	1	48.80	EXTENSION,
76-79	Y (M38)	14008966	1	24.60	EXTENSION (NOTE 1)
80	Y (MV4, M33)	14008966	1	24.60	EXTENSION (NOTE 1)
81	Y (MX3)	14008966	1	24.60	EXTENSION (NOTE 1)
82	Y	8642231	1	37.75	EXTENSION,
75-78	Y (M38)	14008966	1	24.60	EXTENSION KIT, (NOTE 2)
4.318		GASKET-SEAL, Transmission Extension			
68-77	Y (M40)	8624709	1	52	GASKET, CASE EXT TO CASE
68-89	Y	8618504	1	35	SEAL, OUTPUT SHAFT O RING
68-77	Y (M38)	3932255	1	N.L.	SEAL, EXT OIL
70-76	Y (454)	8618504	1	35	SEAL, OUTPUT SHAFT O RING

AUTOMATIC TRANSMISSION (1968 - 1982)

4.318 GASKET-SEAL, Transmission Extension (Con't)					
71-77	Y (M40)	8626893	1	4.80	SEAL, EXT OIL
76-79	Y (M38)	1358899	1	1.15	SEAL, EXT TO CASE
78-82	Y (MD8)	3932255	1	N.L.	SEAL, EXT OIL
80-82	Y (MD8)	1358899	1	1.15	SEAL, EXT TO CASE
4.319 BOLT-BUSHING, Transmission Case Extension					
68-79	Y	358438	AR	.77	BOLT, CLU HSG TO TRANS
68-77	Y (M40)	8626901	1	4.43	BUSHING, CASE EXT
75-82	Y	6260048	1	1.55	BUSHING, EXT
79	Y (EXC SP. H/FER) (1ST DES)	6260048	1	1.55	BUSHING, EXT (1 1/2 I.D. X 1 5/8 O.D.)
4.329 ADAPTER, Speedometer Driven Gear					
NOTE: FOR MODEL APPLICATION, USE SPEEDOMETER GEAR CHART AT THE END OF GROUP 4.000					
NOTE: FOR USAGE REFER TO SPEEDO GEAR CHART AT END OF GROUP 4					
68-74	Y	1565202	1	51.60	ADAPTER (STAMPED 1.733)
68-74	Y	3932220	1	32.75	ADAPTER (STAMPED 7333-A)
75	Y	1565211	1	47.98	ADAPTER (STAMPED .8974-B)
4.337 GEAR, Speedometer Driven					
NOTE: FOR USAGE APPLICATION, USE SPEEDOMETER GEAR CHART AT THE END OF GROUP 4.000					
4.338 FITTING-RETAINER-RING-SEAL-SLEEVE, Speedometer Driven Gear					
68-70	Y	3869914	1	5.60	FITTING, W/SEAL
68-81	Y	3708148	1	.42	RETAINER, GEAR FITTING (9/16" I.D.)
68-69	Y W/3.08, 2.73 AXLE, P/TRAC.	1362215	1	.38	RETAINER, GEAR SLEEVE (11/32" I.D.)
71-77	Y	1362215	1	.38	RETAINER, GEAR SLEEVE (11/32" I.D.)
78-82	Y	1254858	1	1.49	RETAINER, GEAR SLEEVE
73-81	Y	1361818	1	.37	RING, OIL SEAL RET
73-82	Y	6264904	1	1.10	SEAL, SLEEVE
74-81	Y	3869910	1	2.20	SEAL, PINION
75-81	Y	1240382	1	.75	SEAL
82	Y	25501478	1	.33	SEAL, SPEEDO DRIVEN GEAR SLEEVE
64-77	Y (M40)	1362293	1	7.20	SLEEVE (40-45 TEETH GEAR)
64-77	Y (M40)	1362294	1	8.80	SLEEVE (35-39 TEETH GEAR)
77-79	Y (M38)	345215	1	5.15	SLEEVE (18-23 TEETH GEAR)
80	Y (M33)	345215	1	5.15	SLEEVE (18-23 TEETH GEAR)
81	Y (MX3)	345215	1	5.15	SLEEVE (18-23 TEETH GEAR)
4.342 CABLE-CLIP, Transmission to Speedometer					
67-76	Y	6480241	1	N.L.	CABLE, W/CASING LWR FLEX (600.0 MM)
63-67	Y	6480387	1	12.15	CABLE, LESS CASING
68-77	Y	6477499	1	N.L.	CABLE (CONSISTS OF SHAFT AND TIP) (70" O.L.)
68-77	Y	6478825	1	10.15	CABLE, LESS CASING (81" TO 145")
68	Y	6480250	1	N.L.	CABLE, W/CASING (1426.5 MM)
68	Y	6480254	1	N.L.	CABLE, W/CASING (SCREW ON) (2025.0MM)
68	Y	6480370	1	11.55	CABLE, W/CASING UPR (40") (SCREW ON)
68	Y	6480373	1	N.L.	CABLE, W/CASING (SCREW ON) (56" TO 60")
68	Y	25032278	1	N.L.	CABLE, W/CASING (SCREW ON) (60" TO 64")
69-73	Y	6480230	1	N.L.	CABLE, W/CASING (41" TO 44")
69-73	Y	25032096	1	N.L.	CABLE, W/CASING (SNAP ON) (69" TO 72")
69-76	Y	25032868	1	12.45	CABLE, W/CASING UPR (SNAP ON) (1025.0 MM)
74-78	Y	25032866	1	13.85	CABLE, W/CASING (1550.0 MM)
76-81	Y (EXC. CRUISE CONT.)	25032866	1	13.85	CABLE, W/CASING (1550.0 MM)
77-78	Y (EXC. CRUISE CONT) (2ND DESIGN-1977)	6480075	1	4.70	CABLE, LESS CASING (62") (1586.6 MM)
77	Y W/CRUISE CONT (1ST DESIGN)	6479743	1	4.59	CABLE, LESS CASING (LWR) (34.12")
77-80	Y W/CRUISE CONT	6479947	1	4.38	CABLE, LESS CASING UPR (20.7") (535.6 MM)
77-82	Y W/CRUISE CONT (2ND DESIGN 1977)	6480027	1	4.32	CABLE, LESS CASING LWR (50.5") (1260.6 MM)
77-82	Y W/CRUISE CONT.	6480249	1	N.L.	CABLE, W/CASING LWR (1525 MM)
77-82	Y W/CRUISE CONT.	25032874	1	11.10	CABLE, W/CASING UPR (525.0MM)
80	Y (EXC. CRUISE CONT)	6480075	1	4.70	CABLE, LESS CASING (62") (1586.6 MM)
81-82	Y (EXC. CRUISE CONT)	25032873	1	15.25	CABLE, W/CASING (1575.0 MM)
69-72	Y W/QUICK RELEASE CABLE	25016200	1	1.36	CLIP, INST CSTR CBL REL(9.781)

AUTOMATIC TRANSMISSION (1968 - 1982)

4.342 CABLE-CLIP, Transmission to Speedometer (Con't)

73-76 Y 9798433 1 .44 CLIP, SPEEDO FLEX SHF (2.559)

4.343 GEAR , Speedometer Drive

NOTE: FOR USAGE REFER TO SPEEDO GEAR CHART AT END OF GROUP 4

79	Y (M38)	6261784	1	1.25	GEAR (8 TEETH) (ORANGE)
80	Y (M33, MV4)	6261784	1	1.25	GEAR (8 TEETH) (ORANGE)
80	Y (305) (M33)	8640188	1	1.85	GEAR (19 TEETH) (YELLOW)
81	Y (MX3)	6261782	1	1.55	GEAR (9 TEETH) (GREEN)
82	Y (MD8)	8640519	1	2.45	GEAR (19 TEETH) (YELLOW)

4.345 CLIP, Speedometer Drive Gear

73-76	Y (350) (M40) (EXC. SP. H/PER.)	8628089	1	53	CLIP
76-82	Y (MD8)	6261781	1	35	CLIP

MICROFICHE INDEX
GROUPS 4.000 THRU 5.000
FICHE 3 OF 6

GROUP DESCRIPTION	STARTING GRID LOCATION	
	PARTS	ILLUSTRATIONS
- INTRODUCTION	A-6	I-2
- GENERAL INFORMATION	A-2	I-2
- ALPHABETICAL INDEX	C-11	N.A.
- INDEX FOR ADDITIONAL INFORMATION	A-5	N.A.
4.000 TRANSMISSION - BRAKES	E-2	I-6
5.000 BRAKES - REAR AXLE - PROPELLER SHAFT - WHEELS .	H-7	L-19
- OUT OF FICHE CALLS	N.A.	N-16

G-1

AUTOMATIC TRANSMISSION (1953 - 1967)

4.005 GASKET KIT, Transmission Overhaul

NOTE 1: CONSISTS OF 2 INPUT SHAFT SEALS, 2 CLUTCH DRUM SEALS, 2 GOVERNOR SEALS, 2 LOW SERVO SEALS.

NOTE 2: CONSISTS OF (1 EACH) GASKET, TRANS. LOW SERVO COVER, FRONT OIL PUMP BODY, GOVERNOR SUPPORT BODY, TRANS. UPPER VALVE BODY PLATE, TRANS. TRANSFER PLATE TO UPPER, AND LOWER VALVE BODY TRANS. VACUUM MODULATOR, TRANS. OIL PAN, TRANS. OIL PUMP SUCTION SCREEN, TRANS. GOVERNOR, (1 EACH) SEAL, REAR OIL PUMP, LOW SERVO COVER, FRONT OIL PUMP BODY OIL, THROTTLE VALVE CONTROL SHAFT OIL RING, SPEEDOMETER DRIVEN GEAR FITTING, TRANS. CLUTCH PISTON OUTER, AND INNER, (7) FRONT OIL PUMP TO TRANS CASE BOLT, CLUTCH PISTON OUTER, (1) SEAL UNIT, TRANS. REVERSE CLUTCH PISTON, (1) SEAL ASM, TRANS. PARKING LOCK ANECTOR, (2) GASKETS FOR TRANSFER PLATE TO VALVE BODY (UPPER & LOWER), (1) SEAL, FILLER TUBE O-RING.

62-67 Y 3910040 1 41.00 GASKET KIT (NOTE 2)

4.006 BUTTON-HANDLE-KNOB -ROD, Transmission Gearshift Control (Hand)

NOTE 1: IN SOME CASES IT MAY BE NECESSARY TO CUT OR GRIND OFF .0001 FROM KNOB END OF LEVER TO ALLOW TRAVEL OF THE BUTTON THAT SETS INSIDE THE KNOB TO SHIFT INTO ALL POSITIONS.

66-67 Y 3876439 1 4.60 BUTTON, CONT LVR KNOB
 59-63 Y 3760085 1 37.00 HANDLE, W/CABLE, REV
 55-62 Y 390749 1 5.65 KNOB (BLACK PLASTIC-PAINT TO MATCH)
 65-67 Y 371754 1 5.65 KNOB, CONT LVR (NOTE 1)
 65-67 Y 3859795 1 19.55 ROD, CONT LVR

4.008 PLUG-SPRING, Transmission Gearshift Control Hand Lever

65-67 Y 3859792 1 9.30 PLUG
 65-67 Y 3874236 1 .35 SPRING, UPR

4.010 BRACKET, Transmission Gearshift Hand Lever

NOTE: FOR FLOOR SHIFT MODELS NOT USING STRG COLUMN SHIFT LEVER HOUSING, SEE GROUP 6.518 FOR EQUIVALENT PART, LISTED AS A COVER, JACKET, HOUSING, ETC.

66-67 Y 3888263 1 10.00 BRACKET, CONT LVR AND BRKT ADAP

4.015 SEAL, Transmission Hand Lever (Floor Mounted)

55-62 Y W/P.G. 3751130 1 3.95 SEAL, CONT LVR
 63 Y 3823347 1 11.95 SEAL, CONT LVR

4.017 PLATE, Transmission Gearshift Hand Lever (Floor Mounted)

NOTE 1: IT MAY BE NECESSARY TO PAINT TO MATCH.

NOTE 2: IT MAY BE NECESSARY TO CUT AND TAP A HOLE IN THE PLATE WHEN USED ON ELECTRIC WINDOW MODELS.

56-62 Y 3728940 1 8.25 PLATE, LVR AND ASH TRAY TR
 65-67 Y 3900310 1 81.00 PLATE, LVR AND ASH TRAY TR (NOTE 1, 2)

4.022 WASHER, Transmission Gearshift Lever Selector and Indicator

65-67 Y 3859790 1 1.10 WASHER, CONT LVR

4.027 SPRING, Transmission Control Lever

65-67 Y 3859791 1 1.35 SPRING, CONT LVR, LWR

4.037 NUT-SPRING, Transmission Gearshift Rod

62-67 Y 3840137 1 .35 NUT, CONT ROD CLEVIS (7/16-20) (4.253)
 53-57 Y 371704 AR .38 SPRING, ANTI-RATTLE, CONT ROD (COIL TYPE)

4.042 LOCK, Transmission Control Idler

53-61 Y 3885801 1 .40 LOCK, CONT ROD BELL CRANK

4.050 ROD, Transmission Throttle Valve

57 Y W/F.I. 3827896 1 2.50 ROD, THROTTLE VLV C/SHF (9 3/8" O.L.) (3.430)
 63-67 Y (327) 3830310 1 2.00 ROD, THROTTLE VLV CONT. LWR

4.052 CLIP-STUD-SWIVEL, Transmission Throttle Valve Control

55-69 Y 3711177 AR .62 CLIP, LWR AND UPR, FRT ROD (3.425)
 65-67 Y 3700188 1 .59 CLIP, SPECIAL (3.425)
 53-55 Y (6 CYL.) 547868 1 6.35 STUD, THROT VLV CONT INTER ROD LVR (5/16-18 THDS., X 2 3/8 O.L. 1/2 HEX. NUT) (3.463)
 55-67 Y 3711199 AR .62 SWIVEL, THROTTLE VLV CONT (USE W/1/4" ROD) (3.425)

AUTOMATIC TRANSMISSION (1953 - 1967)

4.054		SWITCH-SWIVEL, Transmission Control Safety		
82	Y	1993568	1	31 15 SWITCH
85-87	Y	1933411	1	41 65 SWITCH (ALSO BACK-UP LAMP)
83-84	Y	3947382	1	1 80 SWIVEL, CONT SAF AND BACK-UP LP SW ROD
4.070		RETAINER , Transmission Control Lock Cable		
82-85	Y	516213	AR	30 RETAINER (TO FRAME FRT ANCHOR)
83-87	Y	516213	AR	30 RETAINER, FRT AND RR
4.081		MOUNTING, Transmission Mounting		
NOTE 1: 3 3/4 BETWEEN CENTER LINES OF BOLT HOLES				
83	Y	3913498	1	9 75 MOUNTING, (NOTE 1)
4.103		CASE KIT, Transmission Case		
83-87	Y	3981855	1	185 00 CASE KIT, W/BSHG & LOW SERVO PSTN
4.104		VENTILATOR, Transmission Case		
82-87	Y	8640496	1	1 00 VENTILATOR (5.327)
4.115		BOLT-CONVERTER-RETAINER-SEAL, Transmission		
NOTE 1: LIST PRICE SHOWN DOES NOT INCLUDE EXCHANGE CHARGE. REFER TO DEALER PARTS PRICE SCHEDULE FOR EXCHANGE CHARGE.				
NOTE 2: MAY BE USED W/WELDED TYPE CONVERTER ON 1961 AND 1962 MODELS				
82-87	Y	3799830	3	36 BOLT, TRANS TO ENGINE OR FLYWHEEL (3/8" X 9/16)
82-87	Y (327)	3852880	1	154 00 CONVERTER, TORQUE (EXCHANGE ITEM.) (NOTE 1)
81	Y	3785104	1	75 RETAINER, TRANS TO FLYWHEEL (3/8-24) (NOTE 2)
83-82	Y	3814565	1	3 50 SEAL, SQUARE RING (12 I.D. X 120)
4.123		RING-SHAFT, Transmission Input		
83-84	Y	3817715	2	1 40 RING, INPUT SHAFT OIL SEAL
82-86	Y (327, 396)	3950985	1	32 75 SHAFT
4.128		CLIP-COOLER, Transmission Oil		
85-87	Y	3710497	AR	38 CLIP, INLET AND OTLT PIPE
83-87	Y	8529636	1	39 93 COOLER
4.133		SEAL-TUBE, Transmission Oil Filler		
82-87	Y	6264902	1	47 SEAL, OIL FILLER TUBE
83-87	Y (EXC. 427)	3825512	1	6 70 TUBE
4.162		BEARING-FLANGE-WASHER KIT, Transmission Low Sun Gear and Clutch		
NOTE 1: SEE 3758782, CONVERSION UNIT FOR 1ST DESIGN, CONSISTS OF (1) LOW SUN GEAR BUSHING AND (1) LOW SUN GEAR THRUST WASHER.				
83-87	Y	3771838	1	4 30 BEARING, W/RACE, LOW SUN GEAR NEEDLE THRUST
84-87	Y (327, 396)	3843443	1	25 25 FLANGE
85-87	Y	3758781	1	6 10 WASHER KIT, W/BSHG, THRUST (NOTE 1)
4.163		PLATE, Transmission Clutch Drive and Driven		
NOTE 1: USE SELECTIVELY.				
81-87	Y	3779904	AR	4 85 PLATE, DRIVE (IDENT. BY GREEN MARK)
82-83	Y	1386400	AR	3 90 PLATE, REV DRIVEN (6 TANGS) (WAVY) (5/64" THK.)
82-87	Y	1379373	AR	3 40 PLATE, REV REACTION (.070" THK.) (NOTE 1)
82-87	Y	6257025	1	8 30 PLATE, REV PRESS (.325 THK.)
82-87	Y	8641511	AR	N.L. PLATE, REV DRIVE
82-87	Y (327, 396)	3783287	AR	5 65 PLATE, DRIVEN (12 TANGS) (FLAT) (3/32" THK.)
86-87	Y (427)	3883903	AR	4 35 PLATE, DRIVEN (1/16" THK.)
88	Y (427)	3883904	AR	4 35 PLATE, DRIVEN (3/32" THK.)
4.164		CLUTCH -HUB-SEAT-SPRING-WASHER, Transmission Clutch		
84	Y	3901123	1	125 00 CLUTCH (STAMPED 4908)
82-83	Y	3792701	1	18 25 HUB, CLU (CAST 3792701)
84	Y (327) W/H/PER.	3826047	1	11 55 HUB, CLU
85-88	Y	3792701	1	18 25 HUB, CLU (CAST 3792701)
83-87	Y (327)	3792701	1	18 25 HUB, CLU (CAST 3792701)
88-87	Y (427)	3826047	1	11 55 HUB, CLU
82-87	Y	3789072	1	1 65 SEAT, CLU SPRING

AUTOMATIC TRANSMISSION (1953 - 1967)

4.164 CLUTCH -HUB-SEAT-SPRING-WASHER, Transmission Clutch (Cont)

62-67 Y	3783288	AR	35	SPRING, HI CLU (STAINED ORANGE)
62-67 Y	3789061	17	43	SPRING, REV CLU PSTN RTN (STAINED GREEN)
65-67 Y (EXC. 396)	3862232	1	2.90	SPRING, CLU CUSH (WAVE TYPE)
61-67 Y	3783286	1	75	WASHER, CLU HUB THRUST

4.166 PISTON -SEAL KIT, Transmission Clutch

NOTE 1: CONSISTS OF 1 INNER AND 1 OUTER SEAL.

64 Y (327) (EXC. H/PER.)	3844206	1	12.90	PISTON (27/32" THK)
64 Y W/H/PER. (327)	3844181	1	12.40	PISTON
65-67 Y (EXC. 396)	3844206	1	12.90	PISTON (27/32" THK)
62-67 Y	3799008	1	79	SEAL KIT, REV PSTN (NOTE 1)
64-67 Y	3794123	1	4.70	SEAL KIT, PSTN (INR AND OTR SEAL)

4.169 BUSHING-DRUM-WASHER, Transmission Clutch

NOTE 1: USE SELECTIVELY

62-67 Y	3840760	1	1.55	BUSHING, CLU DRUM
64-67 Y	3844252	1	48.00	DRUM, W/BSHG
58-67 Y	3845838	1	2.45	WASHER, DRUM THRUST (078) (NOTE 1)
58-67 Y	3845838	1	2.45	WASHER, DRUM THRUST (106) (NOTE 1)
62-67 Y	3783285	1	58	WASHER, HUB FRT THRUST

4.175 CARRIER, Transmission Planet

64-67 Y	3920786	1	217.00	CARRIER (27 TOOTH SPLINE)
---------	---------	---	--------	---------------------------

4.176 BEARING-BUSHING-ROLLER-WASHER, Transmission Planet Carrier

NOTE 1: USE WITH PLANET CARRIERS WITH PINION SHAFTS RETAINED BY REMOVABLE TYPE LOCK PLATE.

62-67 Y	3742922	1	5.95	BEARING, OUTPUT SHAFT NEEDLE THRUST
61-63 Y	3789034	1	1.55	BUSHING, OUTPUT SHAFT
53-61 Y	7450410	AR	.16	ROLLER, LONG AND SHORT PINION NEEDLES
53-67 Y	3889834	1	1.50	WASHER, INPUT SUN GEAR THRUST (1/2 X 1 1/4) (NOTE 1)
58-61 Y	3790717	6	.58	WASHER, PINION THRUST (1 1/2" CTR. TO CTR. HOLES)

4.187 GEAR, Transmission Rear Unit

64-67 Y	3843441	1	46.25	GEAR, REV RING
---------	---------	---	-------	----------------

4.195 FLANGE-PAN-SCREW, Transmission Oil

60-67 Y	3723008	1	74	FLANGE, PAN DRAIN (1.453)
62-67 Y	3789148	1	12.25	PAN
64-67 Y	3923420	1	61	SCREW, PAN DRAIN PLUG (1.453)

4.196 GASKET, Transmission Oil Pan

62-67 Y	3789148	1	85	GASKET
---------	---------	---	----	--------

4.197 GASKET-SCREEN, Transmission Oil Pump Suction

62-67 Y	3795990	1	40	GASKET, SCREEN
62-67 Y	347096	1	5.05	SCREEN

4.200 PUMP, Transmission Oil Supply

NOTE 1: WHEN USING 3818871 IN PLACE OF 1ST DESIGN 1962 PUMP ASM. (WHICH MAY BE IDENTIFIED BY CASTING NUMBER 3789026), IT WILL BE NECESSARY TO USE GOVERNOR ASM 3850510 ON 1962 MODELS WITH (327 EXC. H/PER.), OR GOVERNOR ASM. 3850511 ON 1962 MODELS WITH (H/PER. 327).

62-66 Y	3818871	1	63.75	PUMP, RR (CAST 3818872) (NOTE 1)
62-67 Y	3828786	1	138.00	PUMP, FRT (LESS COVER)

4.203 BUSHING-COVER-GASKET-PIN-SCREW-SEAL-SEAL KIT, Transmission Oil Pump

62-67 Y	3789877	1	76	BUSHING, RR OIL PUMP BODY
62-67 Y	3988907	1	95.25	COVER, W/STATOR SHAFT, FRT PUMP
62-67 Y	3789022	1	1.15	GASKET, FRONT PUMP BODY
55-66 Y	3709063	1	.25	PIN, REAR PUMP DRIVE (1 1/4 X 3/16")
62-67 Y	6261374	AR	.45	SCREW, PUMP TO TRANS. CASE (5/16-18 X 1 7/16) (4.226)
53-67 Y	8626916	1	N.L.	SEAL, FRONT PUMP BODY (1 7/16 I.D. X 2 3/4 O.D.)
62-67 Y	3789013	1	.58	SEAL, FRONT OIL PUMP
62-67 Y	3789056	1	.70	SEAL, REAR PUMP SQUARE RING

AUTOMATIC TRANSMISSION (1953 - 1967)

4.203		BUSHING-COVER-GASKET-PIN-SCREW-SEAL-SEAL KIT,		
		Transmission Oil Pump (Con't)		
66-67	Y	3886384	1	1.80 SEAL KIT, FRT PUMP (CONSISTS OF 7 BOLT SEALS AND 1 OILPUMP SEAL)
4.205		CLIP-GASKET -MODULATOR -PIPE-PLUNGER-SPRING-TEE-VALVE ,		Transmission Vacuum
63-66	Y (EXC 396)	3981553	1	.21 CLIP, PIPE TO ENG (1/16")
66-67	Y	3905427	1	.43 CLIP, VAC PIPE
62-67	Y	6257218	1	.52 GASKET (23/32 I.D. X 1 O.D X 1/64" THK)
62-63	Y (1ST DESIGN)	352637	1	13.35 MODULATOR (1 PC DESIGN)
63-67	Y (2ND DESIGN)	352635	1	13.35 MODULATOR
66-67	Y	3937972	1	15.30 PIPE, VAC MOD
63-67	Y	3830311	1	.40 PLUNGER
63-67	Y	3839599	1	.43 SPRING, DAMPING
65-67	Y	336013	1	2.25 TEE, TRANS VAC MOD FRT PIPE (3/8-18 THDS) (3 278)
65-67	Y	3847870	1	3.55 VALVE (2 15/32" O.L)
4.212		GASKET-SEAL, Transmission Servo		
62-67	Y	3789086	1	.36 GASKET, LOW SERVO CVR
62-67	Y	3789087	1	.43 SEAL, LOW SERVO CVR
4.216		SPRING-VALVE KIT, Transmission Main Valve		
59-66	Y	3814086	1	.36 SPRING, PRESS REG
64-67	Y	3977543	1	.59 VALVE KIT, OIL COOLER BY-PASS
4.217		GASKET, Transmission Main Valve Body		
62-67	Y	3840329	1	.36 GASKET, UPR VLV BODY PLT
62-66	Y	3840330	1	1.95 GASKET, TRANSFER PLT TO UPR VLV BODY
62-66	Y	3840331	1	1.95 GASKET, TRANSFER PLT TO LWR BODY
67	Y	7420925	2	1.80 GASKET, TRANSFER PLT VLV UPR AND LWR
4.218		LEVER, Transmission Manual Valve		
62-67	Y	3824051	1	10.20 LEVER, INR RANGE SEL AND PARK LK
4.220		BRACKET-PAWL-SEAL, Transmission Park Lock		
63-67	Y	3789127	1	5.95 BRACKET, REACTION
62-67	Y	3815199	1	6.95 PAWL
62-67	Y	3789137	1	1.15 SEAL, RANGE SEL
4.226		SCREW-SEAL, Transmission Front Servo		
62-67	Y	6261374	1	.45 SCREW, OIL PUMP TO CASE (5/16-18 X 1 7/16)
62-65	Y (1ST DESIGN)	3789024	AR	.40 SEAL, FRT PUMP, O RING (5/16 I.D. X 1/16 THK.)
65-67	Y (2ND DESIGN)	3884683	AR	.30 SEAL, FRT OIL PUMP TO TRANS. CASE
4.228		PISTON-RETAINER-RING-WASHER, Transmission Low Servo		
62	Y	3846173	1	8.80 PISTON
64-67	Y	3846173	1	8.80 PISTON
53-66	Y	465564	1	.38 RETAINER, PSTN ROD SPRING (HAIR PIN TYPE)
62-67	Y	3789084	1	1.85 RING, PSTN
53-67	Y	3702807	1	.30 WASHER, PSTN APPLY SPRING (9/16 I.D X 7/8 O.D. X 5/64)
4.233		SPRING, Transmission Front Servo		
63-67	Y	3815914	1	1.20 SPRING, PSTN RTN
4.241		RING, Transmission Reverse Servo		
63-67	Y	3789084	1	1.85 RING, LOW SERVO PSTN (4.228)
4.251		BAND, Transmission Brake		
NOTE 1: WHEN USING 5459350 AS THE LOW BRAKE BAND IT WILL BE NECESSARY TO USE 3702910 APPLY STRUT ASSY. AND 3702911 ANCHOR STRUT ASM. WHEN 5459350 IS USED AS THE REVERSE BRAKE BAND, 3756726 LINK UNIT MUST ALSO BE USED.				
55-67	Y	3883918	1	33.75 BAND, LOW
4.253		NUT, Transmission Band Adjusting		
62-67	Y	3840137	AR	.35 NUT, BRK SCREW (7/16-20)

AUTOMATIC TRANSMISSION (1953 - 1967)

4.25/ BODY-GASKET-GOVERNOR-RING-WASHER, Transmission Governor

NOT: 1 WHEN USING ON 1ST DESIGN 1962 MODELS WITH REAR PUMP CASTING NO 3789026 IT WILL BE NECESSARY TO USE REAR PUMP 3818871

67	Y	3996642	1	28 25	BODY, TRANS GOV SUPT
62	Y (2ND DESIGN)	3818935	1	40	GASKET, GOV (USE W/GOVERNOR W/CASTING NO 3818876)
63-67	Y	3818935	1	40	GASKET, GOV (USE W/GOVERNOR W/CASTING NO 3818876)
67	Y	3890524	1	54	GASKET, TRANS TO GOV SUPT BODY
62-67	Y (EXC 427)	3850511	1	52 00	GOVERNOR (NOTE 1)
63-67	Y	3689808	2	2 95	RING, HUB OIL SEAL (4 169)
63-55	Y (6 CYL)	3817715	3	1 40	RING, GOV SLEEVE OIL SEAL (4 123)
62	Y	3798068	AR	28	RING, INR WEIGHT TO CONN SHF RET, GOV VLV TO CONN SHF RET (3/8" DIA)
64-67	Y	3798068	AR	28	RING, INR WEIGHT TO CONN SHF RET, GOV VLV TO CONN SHF RET (3/8" DIA)
67	Y	3905432	1	43	WASHER, GOV DAMPING

4.265 SCREEN, Transmission Throttle Valve

63-67	Y	3846834	1	2 65	SCREEN, TRANS THROTTLE VLV FEED
-------	---	---------	---	------	---------------------------------

4.278 LEVER-SEAL, Transmission Throttle Valve

62-67	Y	3789138	1		LEVER, INR
62-67	Y	8526398	1	42	SEAL, LVR SHAFT O RING (5/16" I.D)

4.317 EXTENSION, Transmission Rear Main Bearing

65-67	Y	3987988	1	36 00	EXTENSION, W/BSHG
-------	---	---------	---	-------	-------------------

4.318 SEAL, Transmission Rear Bearing Retainer

55-67	Y (8 CYL)	3932255	1	N.L.	SEAL, EXT OIL
-------	-----------	---------	---	------	---------------

4.319 BUSHING, Transmission Rear Main Bearing

55-67	Y	6260048	1	1 55	BUSHING, EXT (1 1/2 I.D. X 1 5/8 O.D)
-------	---	---------	---	------	---------------------------------------

NOTE: FOR MODEL APPLICATION, USE SPEEDOMETER GEAR CHART AT THE END OF THE TRANSMISSION SECTION.

4.330 KEY, Speedometer Adapter

53-65	Y	867209	1	2 76	KEY, W/ADAPTERS 1565811-12-13-14-1580273-3876
-------	---	--------	---	------	---

4.337 GEAR, Transmission Speedometer Driven

NOTE FOR MODEL APPLICATION, USE SPEEDOMETER GEAR CHART AT THE END OF THE TRANSMISSION SECTION.

NOTE 1: FOR LOW ODOMETER MILEAGE RECORDING USE 20 TOOTH GEAR 3708246.

NOTE 2: USED SELECTIVELY.

68-60	Y W/3.55 AXLE	3708142	1	1 95	GEAR (21 TEETH) (NYLON) (SOLID RED) (NOTE 1)
68-60	Y W/3.70 AXLE	3708699	1	2 15	GEAR (22 TEETH) (NYLON) (SOLID GREEN)
01-62	Y	3987921	1	2 05	GEAR (6.70 X 15)
61-66	Y W/3.08 AXLE	3987920	1	2 05	GEAR (6.70 X 15, 7.10 X 15, 7.75 X 15)
61-64	Y W/3.36 AXLE	3987920	1	2 05	GEAR (6.70 X 16)
61-64	Y W/3.70 AXLE	3860345	1	2 15	GEAR (6.70 X 15)
61-64	Y W/4.11 AXLE	3860347	1	2 25	GEAR (6.70 X 15)
63-64	Y W/3.55 AXLE	3987921	1	2 05	GEAR (6.70 X 15)
65	Y W/2.73	1359273	1	2 50	GEAR (7.75 X 15, 8.15 X 15) (BROWN-39 TEETH) (NOTE 2)
65-66	Y W/3.07 AXLE	3987920	1	2 05	GEAR (7.75 X 15)
65-66	Y W/3.36, 3.31 AXLE	3987920	1	2 05	GEAR (7.75 X 15, 8.15 X 15) (BLUE-20 TEETH)
65-66	Y W/3.55 AXLE	3987921	1	2 05	GEAR (7.75 X 15, 8.15 X 15) (RED-21 TEETH)
65-66	Y W/4.10 AXLE	3860347	1	2 25	GEAR (7.75 X 15, 8.15 X 15) (YELLOW-24 TEETH)
67	Y W/2.73 AXLE	3987918	1	2 15	GEAR (8.15 X 15, 8.45 X 15) (BROWN-18 TEETH)
67	Y W/2.73 AXLE	3987919	1	2 05	GEAR (NATURAL 19 TEETH)
67	Y W/3.07 AXLE	3987919	1	2 05	GEAR (7.75 X 15)
67	Y W/3.07 AXLE	3987920	1	2 05	GEAR (8.15 X 15, 8.45 X 15, 6.70 X 15)
67	Y W/3.08 AXLE	3987919	1	2 05	GEAR (7.75 X 15)
67	Y W/3.08 AXLE	3987920	1	2 05	GEAR (8.15 X 15, 8.45 X 15)
67	Y W/3.31 AXLE	3987919	1	2 05	GEAR (8.45 X 15)
67	Y W/3.31 AXLE	3987920	1	2 05	GEAR (8.15 X 15)
67	Y W/3.36 AXLE	3987920	1	2 05	GEAR (8.15 X 15, 7.75 X 15, 8.45 X 15)
67	Y W/3.55 AXLE	3987921	1	2 05	GEAR (8.15 X 15, 8.45 X 15)
67	Y W/3.55, 3.70 AXLE	3860345	1	2 15	GEAR (7.75 X 15)
67	Y W/3.70 AXLE	3987921	1	2 05	GEAR (8.45 X 15)

AUTOMATIC TRANSMISSION (1953 - 1967)

4.337 GEAR, Transmission Speedometer Driven (Con't)

67	Y W/3.73 AXLE	3860345	1	2.15	GEAR (8.15 X 15, 8.45 X 15) (GREEN-22 TEETH)
67	Y W/3.73 AXLE	3860346	1	1.90	GEAR (BLACK-23 TEETH)
67	Y W/4.10 AXLE	3860347	1	2.25	GEAR (8.15 X 15, 8.45 X 15)
67	Y W/4.10 AXLE	3860348	1	2.15	GEAR (7.75 X 15) (25 TEETH-ORANGE)

4.338 FITTING-RETAINER-SEAL, Speedometer Driven Gear

61-67	Y	3869914	1	5.60	FITTING, W/SEAL
65-67	Y	3708148	1	42	RETAINER, GEAR FITTING (9/16" I.D.)
65-66	Y	6264903	1	40	SEAL, GEAR FITTING O RING, HOLE PLUG (11/16 I.D.)
62-67	Y	6264903	1	40	SEAL, GEAR FITTING O RING, HOLE PLUG (11/16 I.D.)

4.342 CABLE, Transmission to Speedometer

NOTE: SHAFT LENGTH IS GENERALLY 1 1/8 LONGER THAN CASING DIMENSION LISTED
NOTE 1: CUT TO REQUIRED LENGTH.

63-67	Y	6477499	1	N.L.	CABLE (CONSISTS OF SHAFT, TIP) (AC-615) (70" O.L.) (NOTE 1)
63-67	Y	6478825	1	10.15	CABLE, LESS CASING (171" O.L.) (81" TO 145")
63-67	Y	6480250	1	N.L.	CABLE, W/CASING (1426.5MM)
63-67	Y	6480254	1	N.L.	CABLE, W/CASING (2025.0MM)
63-65	Y	6480373	1	N.L.	CABLE, W/CASING (56" TO 60")
63-67	Y	25032278	1	N.L.	CABLE, W/CASING (60" TO 64")
65-67	Y	6480374	1	12.09	CABLE, W/CASING (68")
65-67	Y (8 CYL.) (EXC. F.I. W/H.L. CAM)	6480370	1	11.55	CABLE, W/CASING (40")
65-66	Y	6480356	1	26.15	CABLE, W/CASING (120")
65-67	Y	6480375	1	23.60	CABLE, W/CASING (92 1/2")
66-67	Y	6480373	1	N.L.	CABLE, W/CASING (1476.5MM)

4.343 GEAR, Transmission Speedometer Drive

65-62	Y W/3.08, 3.55 AXLE RATIO	3708144	1	4.90	GEAR (8.45 X 15) (8 TEETH)
63-65	Y W/3.08, 3.36 AXLE	3708144	1	4.90	GEAR (8.45 X 15) (8 TEETH)
66-67	Y W/3.07, 3.08, 3.31, 3.36, 3.55, 3.70 AXLE	3708144	1	4.90	GEAR (8.45 X 15) (8 TEETH)
66-67	Y W/3.31, 3.36, 3.55, 3.70, 3.73 AXLE	3708145	1	6.25	GEAR (7.75 X 15 TIRES)
66-67	Y W/3.55, 3.70, 3.73, 4.10, 4.89 AXLE	3708145	1	6.25	GEAR (7.75 X 15 TIRES)
66-67	Y W/3.70, 3.73, 4.10, 4.89 AXLE	3708145	1	6.25	GEAR (8.15 X 15 TIRES)
66-67	Y W/3.73, 4.10, 4.89 AXLE	3708145	1	6.25	GEAR (8.45 X 15 TIRES)

4.355 BEARING, Transmission Main Drive Gear

64-65	Y	907930	1	44.65	BEARING, W/SNAP RING (SINGLE ROW) (ND47207)
-------	---	--------	---	-------	---

SPEEDOMETER GEAR CHARTS

1968-1970 3 SPEED MANUAL TRANSMISSION DRIVEN GEAR

V67

PART NO.	DRIVEN GEAR TEETH	COLOR CODE	PART NO.	DRIVEN GEAR TEETH	COLOR CODE
1359273	39	Brown	3987919	19	Natural
3708143	24	Yellow	—	—	—
3708699	22	Green	3860345	22	Green
3845071	20	—	3860347	3860346	23
3860033	21	—	3860348	24	Yellow
3860329	20	—	3987920	25	Orange
3987918	18	Brown	—	20	Blue

1968 CORVETTE SPEEDOMETER GEAR CHART

NOTE: To order Speedometer Gears or Parts, Transmission Type, Rear Axle Ratio and Tire Size must be known.

REAR AXLE RATIO	TIRE SIZE	4.343 GEAR, SPEEDO. DRIVE	4.337 GEAR, SPEEDO. DRIVEN	4.329 ADAPTER, SPEEDO
2.73	8 15 x 15, 8 45 x 15, G70 x 15	3905494	3987918	—
3.07	8 15 x 15, 8 45 x 15, G70 x 15	6261794	3987918	—
3.07	F70 x 15	6261794	3987919	—
3.08	8 15 x 15, 8 45 x 15, G70 x 15	6261794	3987918	—
3.08	F70 x 15	6261794	3987919	—
3.31	8 45 x 15	6261794	3987919	—
3.31	8 15 x 15, F70 x 15, G70 x 15	6261794	3987920	—
3.36	8 15 x 15, F70 x 15, G70 x 15	6261794	3987920	—
3.55	8 15 x 15, 8 45 x 15, G70 x 15	6261794	—	—
3.55	F70 x 15	—	3860345	—
3.70	8 15 x 15, F70 x 15, G70 x 15	—	3860345	—
3.70	8 45 x 15	6261794	—	—
3.73	8 15 x 15, 8 45 x 15, G70 x 15	—	3860345	—
3.73	F70 x 15	—	3860348	—
4.10	8 15 x 15, 8 45 x 15, G70 x 15	—	3860347	—
4.56	8 45 x 15	—	3860345	3890575
4.56	8 15 x 15, G70 x 15	—	3860346	3890575
4.89	8 15 x 15, 8 45 x 15, G70 x 15	—	3860347	3890575

SPEEDOMETER GEAR CHARTS

1969 CORVETTE SPEEDOMETER GEAR CHART

V68

NOTE: To order Speedometer Gears or Parts, Transmission Type, Rear Axle Ratio and Tire Size must be known

REAR AXLE RATIO	TIRE SIZE	4.343 GEAR, SPEEDO. DRIVE	4.337 GEAR, SPEEDO. DRIVEN	4.329 ADAPTER, SPEEDO.
2.56	F70 x 15, G70 x 15, G78 x 15	—	3987919	3925673
2.73	G70 x 15, G78 x 15, 8 25 x 15, 8 55 x 15	—	3987918	—
2.73	F70 x 15	—	3987919	—
3.07	8 25 x 15, G70 x 15, G78 x 15	6261794	3987918	—
3.07	8 55 x 15	—	3987920	—
3.07	E70 x 15, F70 x 15	—	—	—
3.08	8 55 x 15, G70 x 15, G78 x 15	6261794	3987918	—
3.31	8 55 x 15	6261794	3987919	—
3.31	8 25 x 15, E70 x 15, F70 x 15, G70 x 15, G78 x 15	6261794	3987920	—
3.36	8 15 x 15, 8 55 x 15, F70 x 15, G70 x 15, G78 x 15	6261794	3987920	—
3.55	8 25 x 15, 8 55 x 15, G70 x 15, G78 x 15	6261794	—	—
3.55	E70 x 15, F70 x 15	—	3860345	—
3.73	8 25 x 15, 8 55 x 15, G70 x 15, G78 x 15	—	3860345	—
3.73	E70 x 15, F70 x 15	—	3860346	—
4.10	8 25 x 15, 8 55 x 15, G70 x 15, G78 x 15	—	3860347	—
4.56	8 55 x 15	6261794	3987919	3932220
4.56	8 25 x 15, G70 x 15, G78 x 15	6261794	3987920	3932220
4.56	8 25 x 15	6261794	3987920	3932220
4.88	8 25 x 15, 8 55 x 15, G70 x 15, G78 x 15	6261794	—	3932220

1970 CORVETTE SPEEDOMETER GEAR CHART

REAR AXLE RATIO	REAR TIRE SIZE	4.337 GEAR, SPEEDO. DRIVEN	4.343 GEAR, SPEEDO. DRIVE
3.07	G70 x 15, G78 x 15, H78 x 15, 8 25 x 15	3987918	6261794
3.07	F78 x 15	3987919	6261794
3.08	H70 x 15, F78 x 15	3987919	6261794
3.08	G70 x 15, G78 x 15, H78 x 15, 8 25 x 15	3987918	6261794
3.36	H70 x 15, H78 x 15	3987920	6261794

SPEEDOMETER GEAR CHARTS

V69

4-SPEED TRANSMISSION DRIVEN GEAR

Part No.	Driven Gear Teeth	Color Code
3860033	21	
3987918	18	Brown
3987919	19	Natural
3860345	22	Green
3860346	23	Black
3860347	24	Yellow
3860348	25	Orange
3987919	19	Natural
3987920	20	Blue
3987921	21	Red
3987922	22	Silver

1968 CORVETTE 4-SPD. TRANSMISSION SPEEDOMETER GEAR CHART

NOTE: To order Speedometer Gears or Parts, Transmission Type, Rear Axle Ratio and Tire Size must be known.

REAR AXLE RATIO	TIRE SIZE	4.343 GEAR, SPEEDO. DRIVE	4.337 GEAR, SPEEDO. DRIVEN	4.329 4.329 ADAPTER, SPEEDO.
2.73	8 15 x 15, 8 45 x 15, G70 x 15	3905494	3987918	—
3.07	8 15 x 15, 8 45 x 15, G70 x 15	6261794	3987918	—
3.07	F70 x 15	6261794	3987919	—
3.08	8 15 x 15, 8 45 x 15, G70 x 15	6261794	3987918	—
3.08	F70 x 15	6261794	3987919	—
3.31	8 45 x 15	6261794	3987919	—
3.31	8 15 x 15, F70 x 15, G70 x 15	6261794	3987920	—
3.36	8 15 x 15, F70 x 15, G70 x 15	6261794	3987920	—
3.55	8 15 x 15, 8 45 x 15, G70 x 15	6261794	—	—
3.55	F70 x 15	—	3860345	—
3.70	8 15 x 15, F70 x 15, G70 x 15	—	3860345	—
3.70	8 45 x 15	6261794	—	—
3.73	8 15 x 15, 8 45 x 15, G70 x 15	—	3860345	—
3.73	F70 x 15	—	3860348	—
4.10	8 15 x 15, 8 45 x 15, G70 x 15	—	3860347	—
4.11	F70 x 15	—	3860348	—
4.56	8 45 x 15	—	3860345	3890575
4.56	8 15 x 15, G70 x 15	—	3860346	3890575
4.56	F70 x 15	3845079	3860033	—
4.89	8 15 x 15, 8 45 x 15, G70 x 15	—	3860347	3890575

SPEEDOMETER GEAR CHARTS

1969 CORVETTE 4-SPD. TRANSMISSION SPEEDOMETER GEAR CHART V70

NOTE To order Speedometer Gears or Parts, Transmission Type, Rear Axle Ratio and Tire Size must be known.

REAR AXLE RATIO	TIRE SIZE	4.343 GEAR, SPEEDO. DRIVE	4.337 GEAR, SPEEDO. DRIVEN	4.329 ADAPTER, SPEEDO.
2.56	F70 x 15, G70 x 15, G78 x 15	3924099	3987919	3925673
2.73	G70 x 15, G78 x 15, 8.25 x 15, 8.55 x 15	3924099	3987918	—
2.73	F70 x 15	3924099	3987919	—
3.07	8.25 x 15, G70 x 15, G78 x 15	6261794	3987918	—
3.07	8.55 x 15	3924099	3987920	—
3.07	E70 x 15, F70 x 15	3924099	—	—
3.08	8.55 x 15, G70 x 15, G78 x 15	6261794	3987918	—
3.08	8.25 x 15, F70 x 15	3924099	—	—
3.31	8.55 x 15	6261794	3987919	—
3.31	8.25 x 15, E70 x 15, F70 x 15, G70 x 15, G78 x 15	6261794	3987920	—
3.36	8.25 x 15, 8.55 x 15, F70 x 15, G70 x 15, G78 x 15	6261794	3987920	—
3.55	8.25 x 15, 8.55 x 15, G70 x 15, G78 x 15	6261794	—	—
3.55	E70 x 15, F70 x 15	—	3860345	—
3.73	8.25 x 15, 8.55 x 15, G70 x 15, G78 x 15	—	3860345	—
3.73	E70 x 15, F70 x 15	—	3860346	—
4.10	8.25 x 15, 8.55 x 15, G70 x 15, G78 x 15	—	3860347	—
4.56	8.55 x 15	6261794	3860342	3932220
4.56	8.25 x 15, G70 x 15, G78 x 15	6261794	3987920	3932220
4.56	8.25 x 15	6261794	3987920	3932220
4.88	8.25 x 15, 8.55 x 15, G70 x 15, G78 x 15	6261794	—	3932220

1970 CORVETTE 4-SPD. TRANSMISSION SPEEDOMETER GEAR CHART

REAR AXLE RATIO	REAR TIRE SIZE	4.337 GEAR, SPEEDO. DRIVEN	4.343 GEAR, SPEEDO. DRIVE	4.329 ADAPTER, SPEEDO.	4.330 KEY, SPEEDO. ADAPTER
CORVETTE w/4-SPEED (EXC. CLOSE RATIO)					
3.08	F70 x 15	3987919	6261794	—	—
3.36	F70 x 15	3860343	6261794	—	—
3.55	F70 x 15	3987918	6261794	6477965	867209
3.70	F70 x 15	3987919	6261794	6477965	867209
4.11	F70 x 15	—	6261794	6477965	867209
4.55	F70 x 15	3860343	6261794	6477964	867209
CORVETTE w/CLOSE RATIO 4-SPEED					
3.08	F70 x 15	3860346	—	6477966	867209
3.36	F70 x 15	3860348	—	6477966	867209
3.55	F70 x 15	3860345	—	—	—
3.70	F70 x 15	3860345	—	—	—
4.11	F70 x 15	3860348	—	—	—

SPEEDOMETER GEAR CHARTS

1971 CORVETTE 4-SPD. TRANSMISSION SPEEDOMETER GEAR CHART V71

REAR AXLE RATIO REAR TIRE SIZE	4.337 GEAR SPEEDO DRIVEN	4.343 GEAR SPEEDO DRIVE	4.329 ADAPTER SPEEDO	4.330 KEY SPEEDO ADAPTER
3.08 F70-15	3987919	3978758	—	—
3.36 F70-15	3987920	3978758	—	—
3.55 F70-15	3987922	3978758	—	—
3.70 F70-15	3987922	3978758	—	—
4.11 F70-15	3987921	3978758	6477965	867209
4.56 F70-15	3987920	3978758	6477964	867209

1972 CORVETTE 4-SPD. TRANSMISSION SPEEDOMETER GEAR CHART

REAR AXLE RATIO REAR TIRE SIZE	4.337 GEAR SPEEDO DRIVEN	4.343 GEAR SPEEDO DRIVE	4.329 ADAPTER SPEEDO	4.330 KEY SPEEDO ADAPTER
3.08 F70-15	3987920	3978758	—	—
3.36 F70-15	3987921	3978758	—	—
3.55 F70-15	3987922	3978758	—	—
3.70 F70-15	3987922	3978758	—	—
4.11 F70-15	3987921	3978758	6477965	867209

1973 CORVETTE 4-SPD.

CODE	DRIVEN GEARS	TEETH	SLEEVE ASM	ADAPTERS	KEY ADAP
A	3987919	19T	345215	1565211	6476970
B	3987918	18T	345215		
C	3987920	20T	345215		
D	3987922	22T	345215		

1973 CORVETTE 4-SPD.

TIRE SIZE	3.08 DRIVE GEAR	3.36 DRIVE GEAR	3.56 DRIVE GEAR	3.70 DRIVE GEAR	4.11 DRIVE GEAR
	3978758	3978758	3978758	3978758	3978758
GR 70-15	Driven A Adapt	Driven B Adapt E	Driven A Adapt E	Driven C Adapt E	Driven D Adapt E

CODE	DRIVEN GEAR	TEETH	COLOR	SLEEVE ASM.	CODE	ADAPTER
A	3987919	19	Natural	345215	E	1565211
B	3987918	18	Brown	345215		
C	3987920	20	Blue	345215		
D	3987922	22	Silver	345215		

1974 CORVETTE 4-SPD.

TIRE SIZE	3.08 RATIO DRIVE GEAR 3978758	3.36 RATIO DRIVE GEAR 3978758	3.56 RATIO DRIVE GEAR 3978758	3.70 RATIO DRIVE GEAR 3978758	4.11 RATIO DRIVE GEAR 3978758
GR70-15	Driven A Adapter —	Driven B Adapter E	Driven A Adapter E	Driven C Adapter E	Driven D Adapter E

SPEEDOMETER GEAR CHARTS

1975-77 CORVETTE 4-SPD.

V72

TIRE SIZE	3.08 RATIO DRIVE GEAR 361002*	3.36 RATIO DRIVE GEAR 361002*	3.56 RATIO DRIVE GEAR 361002*	3.70 RATIO DRIVE GEAR 361002*	4.11 RATIO DRIVE GEAR 361002*
GR 70-15	Driven A Adapter E	Driven B Adapter E	Driven A Adapter E	Driven C Adapter E	Driven D Adapter E

* 361002 is a second design drive gear identified by speedo, adapter 6260705 is the 1st design

CODE	DRIVEN GEAR	TEETH	COLOR	SLEEVE ASM.	CODE	ADAPTER
A	3987919	19	Natural	345215	E	
B	3987918	18	Brown	345215		
C	3987920	20	Blue	345215		
D	3987922	22	Silver	345215		

SPEEDOMETER GEAR CHARTS

V73

TURBO-HYDRAMATIC TRANSMISSION DRIVEN GEAR

Part No.	Driven Gear Teeth	Color Code
1359270	36	White
1359271	37	Red
1359272	38	Blue
1359273	39	Brown
1362048	40	Black
1362049	42	Green
1362195	41	Yellow
1362196	43	Purple
9774413	34	Lt. Green
9775187	45	Lt. Blue
9780470	44	Gray
9780628	35	Pink

1968 CORVETTE TURBO-HYDRAMATIC TRANSMISSION (T.H. 400)

SPEEDOMETER GEAR CHART

NOTE To order Speedometer Gears or Parts, Transmission Type, Rear Axle Ratio and Tire Size must be known

REAR AXLE RATIO	TIRE SIZE	4.343 GEAR, SPEEDO. DRIVE	4.337 GEAR, SPEEDO. DRIVEN	4.329 ADAPTER, SPEEDO.
2.73	8.45 x 15	8623313	1359270	—
2.73	8.15 x 15, F70 x 15, G70 x 15	8623313	1359271	—
3.07	8.15 x 15, 8.45 x 15, G70 x 15	8623313	1362195	—
3.08	8.15 x 15, 8.45 x 15, G70 x 15	8623313	1362195	—
3.08	F70 x 15	8623313	1362049	—
3.31	8.45 x 15	8623313	1362196	—
3.31	8.15 x 15, G70 x 15	8623313	9775187	—
3.36	8.45 x 15	8623313	1362196	—
3.36	8.15 x 15, G70 x 15	8623313	9775187	—

1969 CORVETTE SPEEDOMETER GEAR CHART

NOTE To order Speedometer Gears or Parts, Transmission Type, Rear Axle Ratio and Tire Size must be known

TURBO HYDRAMATIC TRANSMISSION (T.H. 400) (exc. H.D., Sp. H/Per. 427)

REAR AXLE RATIO	TIRE SIZE	4.343 GEAR, SPEEDO. DRIVE	4.337 GEAR, SPEEDO. DRIVEN	4.338 SLEEVE, SPEEDO. DRIVEN GEAR
2.73	8.55 x 15, G78 x 15	8623313	1359270	—
2.73	G70 x 15, 8.25 x 15	8623313	1359270	—
2.73	F70 x 15	8623313	1359271	—
3.07	8.55 x 15	8623313	1362048	—
3.07	G70 x 15, 8.25 x 15, G78 x 15	8623313	1362195	—
3.08	8.55 x 15	8623313	1362048	—
3.08	G70 x 15, 8.25 x 15, G78 x 15	8623313	1362195	—
3.08	F70 x 15	8624738	1362049	—
3.30	8.55 x 15	8623313	1362196	—
3.30	G70 x 15, 8.25 x 15, G78 x 15	8623313	9780470	—

SPEEDOMETER GEAR CHARTS

1969 CORVETTE SPEEDOMETER GEAR CHART (Contd.)

V74

TURBO HYDRAMATIC TRANSMISSION (T.H. 400) (H.D., Sp. H/Per. 427)

REAR AXLE RATIO	TIRE SIZE	4.343 GEAR, SPEEDO DRIVE	4.337 GEAR, SPEEDO DRIVEN	4.329 ADAPTER, SPEEDO.	4.338 SLEEVE, SPEEDO DRIVEN GEAR
2.73	F70 x 15	8623311	9774413	—	—
3.07	855 x 15, G78 x 15	8623311	1359270	—	—
3.07	G70 x 15, 825 x 15	8623311	1359271	—	—
3.08	F70 x 15	8623311	1359271	—	—
3.30	855 x 15	8623311	1359272	—	—
3.30	G70 x 15, 825 x 15, G78 x 15	8623311	1359273	—	—
3.36	F70 x 15	8623311	1362195	—	—
3.54	855 x 15	8623311	1362195	—	—
3.54	G70 x 15, 825 x 15, G78 x 15	8623311	1362049	—	—
3.72	855 x 15	8623311	1362196	—	—
3.72	G70 x 15, 825 x 15, G78 x 15	8623311	9780470	—	—
4.10	855 x 15	8623311	9780628	3932220	—
4.10	G70 x 15, 825 x 15, G78 x 15	8623311	1359270	3932220	—
4.55	855 x 15, G78 x 15	8623311	1359273	3932220	—
4.55	G70 x 15, 825 x 15	8623311	1362048	3932220	—
4.87	855 x 15, G70 x 15, G78 x 15	8623311	1362049	3932220	—
4.87	825 x 15	8623311	1362196	3932220	—

1970 CORVETTE SPEEDOMETER GEAR CHART

CORVETTE w/TURBO HYDRAMATIC TRANSMISSION (T.H. 400) (exc. Sp. H/Per. 454)

REAR AXLE RATIO	REAR TIRE SIZE	4.337 GEAR, SPEEDO DRIVEN	4.343 GEAR, SPEEDO DRIVE	4.338 SLEEVE, SPEEDO DRIVEN GEAR
2.73	F70 x 15, 825 x 15	1359271	8623313	1362294
2.73	H70 x 15, H78 x 15	1359270	8623313	1362294
3.08	F70 x 15	1362049	8623313	1362293
3.36	F70 x 15	9775187	8623313	1362293

CORVETTE w/TURBO-HYDRAMATIC TRANSMISSION (T.H. 400) (Sp. H/Per. 454)

REAR AXLE RATIO	REAR TIRE SIZE	4.337 GEAR, SPEEDO DRIVEN	4.343 GEAR, SPEEDO DRIVE	4.338 SLEEVE, SPEEDO DRIVEN GEAR
2.73	F70 x 15	9774413	8623311	1362294
3.08	F70 x 15	1359271	8623311	1362294
3.36	F70 x 15	1362195	8623311	1362293

SPEEDOMETER GEAR CHARTS

1971 CORVETTE SPEEDOMETER GEAR CHART

V75

T.H. 400 (350. Sp. H/Per. 454)

REAR AXLE RATIO	REAR TIRE SIZE	4.343 GEAR SPEEDO. DRIVE	4.337 GEAR SPEEDO. DRIVEN	4.338 SLEEVE SPEEDO. DRIVEN GEAR
3.08	F70-15	8623311	135927	1362294
3.36	F70-15	8623311	1362195	1362293

(T.H. 400 w/H/Per.) (454)

REAR AXLE RATIO	REAR TIRE SIZE	4.343 GEAR SPEEDO. DRIVE	4.337 GEAR SPEEDO. DRIVEN	4.338 SLEEVE SPEEDO. DRIVEN GEAR
3.08	F70-15	8623313	1362049	1362293
3.36	F70-15	8623313	9775187	1362293

1972 CORVETTE SPEEDOMETER GEAR CHART

T.H. 400 (350. Sp. H/Per. 454)

REAR AXLE RATIO	REAR TIRE SIZE	4.343 GEAR SPEEDO. DRIVE	4.337 GEAR SPEEDO. DRIVEN	4.329 ADAPTER SPEEDO.	4.330 KEY SPEEDO. ADAPTER	4.338 SLEEVE SPEEDO. DRIVEN GEAR
3.08	F70-15	8623313	1362049	—	—	1362293
3.36	F70-15	8623313	9774413	—	867209	1362294

(T.H. 400 w/H. Per.) (454)

REAR AXLE RATIO	REAR TIRE SIZE	4.343 GEAR SPEEDO. DRIVE	4.337 GEAR SPEEDO. DRIVEN	4.329 ADAPTER SPEEDO.	4.330 KEY SPEEDO. ADAPTER	4.338 SLEEVE SPEEDO. DRIVEN GEAR
3.08	F70-15	8623313	1362049	—	—	1362293
3.36	F70-15	8623313	9774413	—	867209	1362294

1973 CORVETTE TURBO— HYDRAMATIC

CODE	DRIVEN GEARS	NUMBER OF TEETH	SLEEVE ASM.	CODE	DRIVEN GEARS	NUMBER OF TEETH	SLEEVE ASM.
A	9780628	35T	1362294	C	1362048	40T	1362293
B	1359272	38T	1362294	D	1362049	42T	1362293

SPEEDOMETER GEAR CHARTS

1973 CORVETTE TURBO—HYDRAMATIC

V76

TIRE SIZE	3.08 DRIVE GEAR 8623310	3.36 DRIVE GEAR 8623310	3.56 DRIVE GEAR 8623310	3.70 DRIVE GEAR 8623310
GR 70 15	Driven A Adapt	Driven B Adapt	Driven C Adapt	Driven D Adapt

1974 CORVETTE TURBO-HYDRAMATIC

CODE	DRIVEN GEAR	NUMBER OF TEETH	COLOR	SLEEVE ASSY	CODE	DRIVEN GEAR	NUMBER OF TEETH	COLOR	SLEEVE ASSY
A	9780628	35	Pink	1362294	C	1362048	40	Black	1362293
B	1359272	38	Blue	1362294	D	1362049	42	Green	1362293

TIRE SIZE	3.08 RATIO DRIVE GEAR 8623310	3.36 RATIO DRIVE GEAR 8623310	3.56 RATIO DRIVE GEAR 8623310	3.70 RATIO DRIVE GEAR 8623310
G70-15	A	B	C	D

1975 CORVETTE TURBO-HYDRAMATIC

CODE	DRIVEN GEAR	NUMBER OF TEETH	COLOR	SLEEVE ASM.	CODE	DRIVEN GEAR	NUMBER OF TEETH	COLOR	SLEEVE ASM.
A	9780628	35	Pink	1362294	C	1362048	40	Black	1362293
B	1359272	38	Blue	1362294	D	1362049	42	Green	1362293

TIRE SIZE	3.08 RATIO DRIVE GEAR 8623310	3.36 RATIO DRIVE GEAR 8623310	3.56 RATIO DRIVE GEAR 8623310	3.70 RATIO DRIVE GEAR 8623310
G70-15	A	B	C	D

1976-77 CORVETTE TURBO-HYDRAMATIC

CODE	DRIVEN GEAR	NUMBER OF TEETH	COLOR	SLEEVE ASM.	CODE	DRIVEN GEAR	NUMBER OF TEETH	COLOR	SLEEVE ASM.
A	9780628	35	Pink	1362294	C	1362048	40	Black	1362293
B	1359272	38	Blue	1362294	D	1362049	42	Green	1362293
	3987919	19	Natural			3987921	21	Red	
						3987922	22	Silver	

TIRE SIZE	3.08 RATIO DRIVE GEAR 8623310	3.36 RATIO DRIVE GEAR 8623310	3.55 RATIO DRIVE GEAR 8623310	3.70 RATIO DRIVE GEAR 8623310
G70-15	A	B	C	D

SPEEDOMETER GEAR CHARTS

V77

**1978 SPEEDO GEAR USAGE CHART
"Y" CAR**

CHART A

CODE	DRIVE GEAR	TEETH	COLOR	CODE	DRIVEN GEAR	TEETH	COLOR	SLEEVE	CODE	ADAPTER	RATIO	STAMPED
A	6261784	8	Orange	N	3987919	19	Natural	345215				
B	6261797	7	Brown	P	3987918	18	Brown	345215				
C	361002	7	Green	Q	3987922	22	Silver	345215				
				R	3987920	20	Blue	345215				

CHART B

TIRE SIZE	AXLE	TRANS	DRIVE GEAR	DRIVEN GEAR	ADAPTER
All	3.08	M38	A	N	—
All	3.36	M20@	B	P	—
All		M20%	C	P	—
All	3.55	M38	A	Q	—
All	3.70	M20, M21	C	R	—

Note: @ Eng. (350L) L48
% Eng. (350H) L82

**1979 SPEEDO GEAR USAGE CHART
"Y" CAR**

CHART A

CODE	DRIVE GEAR	TEETH	COLOR	CODE	DRIVEN GEAR	TEETH	COLOR	SLEEVE	CODE	ADAPTER	RATIO	STAMPED
B	361002	7	Green	N	3987918	18	Brown	345215				
C	6261784	8	Orange	P	3987922	22	Gray	345215				
				Q	3987920	20	Blue	345215				

CHART B

TIRE SIZE	AXLE	TRANS	DRIVE GEAR	DRIVEN GEAR	ADAPTER
Y	3.36	M20	B	N	—
Y	3.55	M38	C	P	—
Y	3.70	M20	B	Q	—
Y		M21	B	Q	—

SPEEDOMETER GEAR CHARTS

V79

**1980 SPEEDO GEAR USAGE CHART
"Y" CAR**

CHART A

CODE	DRIVE GEAR	TEETH	COLOR	CODE	DRIVEN GEAR	TEETH	COLOR	SLEEVE	CODE	ADAPTER	RATIO	STAMPED
B	6260705	8	Blue	Q	3987919	19	Natural	345215				
C	6261784	8	Orange									

CHART B

TIRE SIZE	AXLE	TR/VS	DRIVE GEAR	DRIVEN GEAR	ADAPTER
P225/70R15, P255/60R15	3.07	M33	C	Q	—
All		M18	B	Q	—
P225/70R15, P255/60R15			C	Q	—

**1981 SPEEDO GEAR USAGE CHART
"Y" CAR**

CHART A

CODE	DRIVE GEAR	TEETH	COLOR	CODE	DRIVEN GEAR	TEETH	COLOR	SLEEVE	CODE	ADAPTER	RATIO	STAMPED
A	14038093	9	—	N	3987919	19	Natural	345215				
B	6261782	9	Green	P	3987920	20	Blue	345215				

CHART B

TIRE SIZE	AXLE	TRANS	DRIVE GEAR	DRIVEN GEAR	ADAPTER
All	2.72	M18	A	N	—
All			B	N	—
All	2.87	MX3	B	P	—
All					

SPEEDOMETER GEAR CHARTS

**1982 SPEEDO GEAR USAGE CHART
"Y" CAR**

C O D E	D R I V E G E A R	T E E T H	C O L O R	C O D E	D R I V E N G E A R	T E E T H	C O L O R O R C O D E	S L E E V E O R S E N S O R	C O D E	A D A P T E R	R A T I O	S - M P - D
A	8640519	19	YELLOW	N O P Q	1359273 1362048 1362049 1362195	39 40 42 41	BROWN BLACK GREEN YELLOW	25512340 25512339 25512339 25512339				

T I R E S I Z E	A X L E	T R A N S	D R I V E R	D R I V E R	A D A P T E R
P225/70R15	2 72	MDB	A	N	
P255/60R15			A	O	
P225/70R15	2 R7	MDB	A	O	
P255/60R15			A	P	

BRAKES

4.589		SWITCH, Parking Brake Alarm			
67-82	Y	3901600	1	3.65	SWITCH, W/BRKT
4.591		LEVER, Parking Brake Apply			
67-82	Y	14033719	1	52.25	LEVER,
4.592		HANDLE, Parking Brake Apply Lever			
53-67	Y	3699301	1	6.35	HANDLE (CHROME)
4.594		GROMMET-GUIDE, Parking Brake Release			
76-77	Y	8264117	1	.57	GROMMET, SPL. PARK. BRAKE CABLE/IN U/B
67-81	Y	3897439	1	2.35	GUIDE
82	Y	14033720	1	2.25	GUIDE, PARK BRK LVR CBL
4.612		COVER -RETAINER-SEAL, Parking Brake Lever Housing			
77-82	Y	379981	1	8.80	COVER (PLASTIC) (PAINT TO MATCH)
77-82	Y	14011818	1	9.45	RETAINER, LVR CVR
67	Y	3901995	1	1.20	SEAL
68-76	Y	333605	1	1.25	SEAL, U/B TUN RR CNSL PARK BRK LVR
4.625		PEDAL, Brake Pedal			
NOTE: FOR FLOOR PAN OPENING SEAL SEE GROUP 0.829.					
68-73	Y W/A.T.	3923869	1	15.35	PEDAL
68-73	Y W/M.T.	3921649	1	16.30	PEDAL
74-79	Y W/A.T.	346339	1	16.90	PEDAL
74-81	Y W/M.T.	346336	1	16.90	PEDAL
80-82	Y W/A.T.	14020845	1	16.90	PEDAL
4.626		BUSHING-SPACER, Brake Pedal			
64-82	Y	14004821	AR	.57	BUSHING, BRK AND CLU PEDAL (0.831)
67-75	Y (2ND DESIGN) (EXC. P.B.)	3908768	1	.35	BUSHING, RTN SPRING
76-82	Y	3908768	1	.35	BUSHING, RTN SPRING
58-81	Y	529323	1	.83	SPACER, STEEL TUBING (7/16 I.D. X 2 3/8 O.L.)
82	Y	14030818	AR	1.75	SPACER, STEEL TUBING (7/16" ID X 2 3/8" LONG)
4.630		COVER-PAD -PLATE, Brake and Clutch Pedal			
NOTE 1: PART NUMBER APPEARS ON THESE PARTS.					
58-62	Y (EXC. P.G.)	3884850	1	1.35	COVER
58-67	Y W/P.G.	3881784	1	1.35	COVER, BRK
63-67	Y	3988198	1	1.30	COVER, CLU
63-67	Y (EXC. P.B., P.G.)	3988198	1	1.30	COVER, BRK
63-67	Y W/SP. PER. (EXC. P.G.)	3988198	1	1.30	COVER, BRK
68-79	Y W/A.T.	3888682	1	2.00	COVER, BRK PED PAD
68-79	Y W/M.T.	3921648	AR	1.75	COVER, BRK AND CLU PED PAD
80-82	Y W/A.T.	3994495	1	1.85	COVER, BRK PED PAD
80-82	Y W/M.T.	3993614	1	1.25	COVER, BRK PED PAD
80-81	Y W/M.T.	14009148	1	2.30	COVER, CLU PED
55-67	Y (EXC. PROD. P.B.)	3657980	AR	3.10	PAD (RUBBER 3 1/2 X 1 7/8 OVERALL)
68-72	Y W/A.T.	3888683	1	2.20	PLATE, CVR TR
68-72	Y W/M.T.	3923615	1	2.95	PLATE, CVR TR
4.634		REINFORCEMENT-RETAINER-SHAFT-WASHER, Brake Pedal			
77-82	Y	14016001	1	12.22	REINFORCEMENT, HSG
63-82	Y	3828428	1	.54	RETAINER, BRK OR CLU PED SHF
63-81	Y	3828427	1	1.70	SHAFT
80-82	Y	3905569	2	.25	WASHER, BRK PED HSG(7.347)
4.648		BOLT-COVER-HOUSING-SCREW-SEAL, Brake Cylinder and Pedal Shaft			
68-77	Y (EXC. P.B.)	3923616	2	.33	BOLT, MAIN CYL. (3/8-16 X 1 3/8)
73-76	Y W/P.B.	334759	1	22.35	COVER, BRK PEDAL HSG
77-82	Y	14016002	1	35.25	COVER, BRK PEDAL HSG
68-76	Y (EXC. P.B.)	3981600	1	39.75	HOUSING, BRK PEDAL
69-82	Y	14018819	1	66.25	HOUSING, BRK PEDAL
65-68	Y	3874876	1	.36	SCREW, W/LW (3/8-16 X 1 1/8) (3.901)
63-77	Y (EXC. P.B.)	14000379	1	.40	SEAL, M/CYL MT CVR
4.649		REPAIR KIT, Brake Master Cylinder			
NOTE 1: CONSISTS OF SAME PARTS SHOWN WITH 5454428 PLUS SPRING W/RETAINER.					
53-82	Y	5434583	1	11.20	REPAIR KIT (1" DIA.) (NOTE 1)
65-66	Y (EXC. P.B.)	3871543	1	7.75	REPAIR KIT (BENDIX 617219) (1" DIA. CYL.)
67	Y (EXC. H.D. BRAKES)	18001045	1	24.90	REPAIR KIT

WAREHOUSING AND DISTRIBUTION DIVISION OF GENERAL MOTORS CORPORATION — CHEVROLET—14A

REV. 12-83

4-53

4.589-4.649

BRAKES

4.649 REPAIR KIT , Brake Master Cylinder (Con't)			
67	Y W/H.D. BRAKES	18001018	1 24.55 REPAIR KIT
68-78	Y (EXC. P.B.)	18001046	1 24.90 REPAIR KIT
68-78	Y W/P.B.	18001018	1 24.55 REPAIR KIT (MORAINE)
69	Y W/H.D. BRAKE	18001018	1 24.55 REPAIR KIT (MORAINE)
77-82	Y	18002379	1 22.45 REPAIR KIT (MORAINE)
4.650 CYLINDER , Brake Master			
NOTE: ALSO SEE GROUP 4.901 FOR POWER BRAKES			
NOTE 1: HAS METRIC MTG HOLES OTHERWISE IDENT TO 18002069.			
63-82	Y	5454480	1 75.45 CYLINDER (1" DIA. CYL. CAST 5456022)
65-86	Y W/DISC BRAKES (EXC. P.B.)	3888446	1 87.75 CYLINDER (BENDIX 618690) (1" DIA. CYL.)
67	Y (EXC. H.D. BRAKES)	18001118	1 133.00 CYLINDER (1" DIA. CYL.) (MORAINE)
67-89	Y W/H.D. BRAKE	18009460	1 124.75 CYLINDER (1 1/8" DIA.) (MORAINE)
68-78	Y (EXC. P.B.)	18001118	1 133.00 CYLINDER (1" DIA. CYL.) (MORAINE)
69-78	Y W/P.B.	18009460	1 124.75 CYLINDER (1 1/8" DIA.) (MORAINE)
77-82	Y	18005307	1 95.95 CYLINDER (NOTE 1)
4.651 BAIL-CAP-COVER-DIAPHRAGM-GASKET, Brake Master Cylinder			
67-82	Y	5455518	2 1.25 BAIL, RESVR CUP
65-86	Y W/P.B.	5481247	1 1.50 CAP (MORAINE)
67-82	Y	18000781	1 5.35 COVER, RESVR
67-82	Y	5455518	1 5.75 DIAPHRAGM, RESVR
65-86	Y (EXC. P.B.)	3888046	1 3.75 GASKET, DIAPH (BENDIX 2225128)
4.653 PISTON, Brake Master Cylinder Secondary			
67	Y (EXC. H.D. BRAKES)	5480413	1 7.95 PISTON, SECD
67	Y W/H.D. BRAKES	5455829	1 19.00 PISTON, SECD
68-76	Y (EXC. P.B.)	5480413	1 7.95 PISTON, SECD
68-76	Y W/P.B.	5455829	1 19.00 PISTON, SECD
77-82	Y	18001487	1 4.90 PISTON, SECD
4.654 CUP, Brake Main Cylinder			
67	Y (EXC. H.D. BRAKES)	5480195	2 2.15 CUP, SECD
68-71	Y (EXC. P.B.)	5480195	2 2.15 CUP, SECD
75	Y (EXC. P.B.)	5480195	2 2.15 CUP, SECD
4.656 SCREW , Brake Main Cylinder			
65-77	Y	5464418	1 .98 SCREW (MORAINE)
4.657 VALVE, Main Cylinder			
65-86	Y W/H.D. BRAKES	3878944	1 165.00 VALVE, RR BRK PRESS REG
4.658 ROD, Brake Pedal Push			
68-77	Y (EXC. P.B.)	346340	1 1.85 ROD, BRK MAIN CYL PUSH
73-74	Y	8259180	1 10.55 ROD, VAC PWR BRK CYL OPERATION
76-78	Y	8259180	1 10.55 ROD, VAC PWR BRK CYL OPERATION
4.659 BOOT-WASHER, Brake Master Cylinder Rod			
53-77	Y (EXC. P.B.)	5456779	1 1.20 BOOT, BRK MAIN CYL
64-67	Y W/P.B.	5452997	1 3.75 BOOT, VAC PWR CYL
68-78	Y W/P.B.	548179	1 1.55 BOOT, VAC PWR CYL VLV BODY (BENDIX 2501643)
64-69	Y W/P.B.	5464812	1 .58 WASHER, PUSH ROD LIMITER
4.661 GASKET -INSERT, Main Cylinder Outlet Fitting			
53-61	Y	799390	AR .24 GASKET (19/32 I.D. X 13/16 O.D. X 1/2 THK.)
65	Y W/P.B. (EXC. H.D. BRAKES)	5453786	2 .96 INSERT, BRK MAIN CYL. PIPE CONN BOLT (4.671)
67-75	Y	5452322	2 .46 INSERT, BRK MAIN PIPE CONN. BOLT (MORAINE)
4.662 CLEVIS-PIN-RETAINER-WASHER , Master Cylinder Adjusting			
71-82	Y	3953288	1 .79 CLEVIS, BRK PEDAL TO BRK MAIN CYL PUSH ROD
63-69	Y	3817879	AR .36 PIN, BRK MAIN CYL, P.B. PUSH ROD TO BRK PEDAL END AND ACTR LVR CLEVIS (USE W/3817880 RET.)
75-82	Y	3817879	1 .36 PIN, PUSH ROD CLEVIS
63-82	Y	3817880	AR .28 RETAINER, BRK MAIN CYL, P.B. PUSH ROD TO BRK PEDAL END AND ACTR LVR CLEVIS PIN
77-78	Y	5466546	1 2.25 RETAINER, VAC PWR BRK CYL PUSH ROD (4.926)

BRAKES

4.662 CLEVIS-PIN-RETAINER-WASHER , Master Cylinder Adjusting (Con't)

68-80 Y	432348 AR	35	WASHER (7/16 X 3/4 X 1/32) (STEEL)
70-81 Y	410230 AR	38	WASHER (.453 X .668 X .007) (FREE HEIGHT)

4.665 CYLINDER-HOUSING-REPAIR KIT, Wheel Brake

NOTE 1: WHEN USING 5465038 IN PLACE OF 5459917, IT WILL BE NECESSARY TO USE BLEEDER SCREW.

NOTE 2: WHEN USING 18005633 IN PLACE OF 5465039, IT WILL BE NECESSARY TO USE BLEEDER SCREW W/METRIC THREAD.

NOTE 3: CONSISTS OF 2 PISTONS, 2 CUPS, 1 SPRING AND 2 BOOTS.

NOTE 4: WHEN SERVICING 1965-66 (STD. & HEAVY DUTY) AND EARLY 1967 HEAVY DUTY ORIGINAL EQUIPMENT USE 1967-73 TYPE PISTONS. THE HEAVY DUTY APPLICATIONS WILL ALSO REQUIRE 1967-73 INSULATORS AND RETURN SPRINGS.

53-59 Y	5461126 RH	20 25	CYLINDER, FRT (1 1/8" DIA. CAST 5453822)
53-59 Y	18008609 LH	21 90	CYLINDER, FRT (1 1/8" DIA.)
56-62 Y (EXC. H.D. BRAKE/SUSP.)	18005632 RH	20.00	CYLINDER, RR (NOTE 1)
56-62 Y (EXC. H.D. BRAKE/SUSP.)	18005633 LH	20.00	CYLINDER, RR
60-62 Y (EXC. H.D. BRAKE/SUSP.)	18005633 LH	20.00	CYLINDER, FRT (1 1/2" DIA.) (NOTE 3)
60-62 Y W/H.D. BRAKE/SUSP.	5461126 RH	20 25	CYLINDER, FRT (1 1/8" DIA. CAST 5453822)
60-62 Y W/H.D. BRAKE/SUSP.	18008609 LH	21 90	CYLINDER, FRT (1 1/8" DIA.)
63-65 Y (EXC. DISC BRAKE)	18005632 RH	20.00	CYLINDER, RR (NOTE 1)
63-65 Y (EXC. DISC BRAKES)	18005633 LH	20.00	CYLINDER, RR
66-66 Y	2621212 LH	121.00	HOUSING, RR BRK CLPR INR (NOTE 4)
66-66 Y	2621213 RH	121.00	HOUSING, RR BRK CLPR INR (NOTE 4)
66-66 Y	2621214 LH	121.00	HOUSING, RR BRK CLPR OTR (NOTE 4)
66-66 Y	2621215 RH	121.00	HOUSING, RR BRK CLPR OTR (NOTE 4)
66-74 Y (EXC. H.D. BRAKES)	2621202 LH	116.45	HOUSING, FRT BRK CLPR INR (NOTE 4)
66-74 Y (EXC. H.D. BRAKES)	2621203 RH	116.45	HOUSING, FRT BRK CLPR INR (NOTE 4)
66-75 Y (EXC. H.D. BRAKES)	2621208 2	116.45	HOUSING, FRT BRK CLPR OTR (NOTE 4)
66-75 Y W/H.D. BRAKES	2621209 LH	97.00	HOUSING, FRT BRK CLPR INR (NOTE 4)
66-75 Y W/H.D. BRAKES	2621210 RH	97.00	HOUSING, FRT BRK CLPR INR (NOTE 4)
66-75 Y W/H.D. BRAKES	2621211 2	92.75	HOUSING, FRT BRK CLPR OTR (NOTE 4)
67-75 Y (EXC. H.D. BRAKES)	2621204 LH	116.85	HOUSING, RR BRK CLPR INR (NOTE 4)
67-75 Y (EXC. H.D. BRAKES)	2621205 RH	116.85	HOUSING, RR BRK CLPR INR (NOTE 4)
67-75 Y (EXC. H.D. BRAKES)	2621207 LH	116.85	HOUSING, RR BRK CLPR OTR (NOTE 4)
67-75 Y (EXC. H.D. BRAKES)	2621208 RH	116.80	HOUSING, RR BRK CLPR OTR (NOTE 4)
67 Y W/H.D. BRAKES (1ST DESIGN)	2621212 LH	121.00	HOUSING, RR BRK CLPR INR (NOTE 4)
67 Y W/H.D. BRAKES (1ST DESIGN)	2621213 RH	121.00	HOUSING, RR BRK CLPR INR (NOTE 4)
67-73 Y W/H.D. BRAKES (2ND DESIGN)	2621214 LH	121.00	HOUSING, RR BRK CLPR OTR (NOTE 4)
67 Y W/H.D. BRAKES (1ST DESIGN)	2621215 RH	121.00	HOUSING, RR BRK CLPR OTR (NOTE 4)
67-73 Y W/H.D. BRAKES (2ND DESIGN)	2621215 RH	121.00	HOUSING, RR BRK CLPR OTR (NOTE 4)
67-73 Y W/H.D. BRAKES (2ND DESIGN)	5461991 LH	91.25	HOUSING, RR BRK CLPR INR (NOTE 4)
67-73 Y W/H.D. BRAKES (2ND DESIGN)	5462016 LH	90.75	HOUSING, RR BRK CLPR OTR (NOTE 4)
74 Y W/H.D. BRAKES	2621212 LH	121.00	HOUSING, RR BRK CLPR INR
74-75 Y W/H.D. BRAKES	2621213 RH	121.00	HOUSING, RR BRK CLPR INR
74 Y W/H.D. BRAKES	2621214 LH	121.00	HOUSING, RR BRK CLPR OTR
74-75 Y W/H.D. BRAKES	2621215 RH	121.00	HOUSING, RR BRK CLPR OTR
75-82 Y	2621202 LH	116.45	HOUSING, FRT BRK CLPR INR
75-82 Y	2621203 RH	116.45	HOUSING, FRT BRK CLPR INR
75 Y W/H.D. BRAKES	5461991 LH	91.25	HOUSING, RR BRK CLPR INR
75 Y W/H.D. BRAKES	5462016 LH	90.75	HOUSING, RR BRK CLPR OTR
76-82 Y	2621204 LH	116.85	HOUSING, RR BRK CLPR INR
76-82 Y	2621205 RH	116.85	HOUSING, RR BRK CLPR INR
76-82 Y	2621206 2	116.45	HOUSING, FRT BRK CLPR OTR
76-82 Y	2621207 LH	116.85	HOUSING, RR BRK CLPR OTR
76-82 Y	2621208 RH	116.80	HOUSING, RR BRK CLPR OTR
53-59 Y	5465856 AR	4.83	REPAIR KIT, RR (USE W/1 1/8" DIA CYL.) (NOTE 3)
53-64 Y (EXC. H.D. BRAKE/SUSP.)	5465856 AR	4.82	REPAIR KIT, RR
57-62 Y W/H.D. BRAKE/SUSP.	3771783 2	14.87	REPAIR KIT, RR (1 1/4" DIA.) (NOTE 3)
57-62 Y W/H.D. BRAKE/SUSP.	5463197 AR	5.00	REPAIR KIT, RR (USE W/7/8" DIA. CYL.) (NOTE 3)
60-64 Y (EXC. H.D. BRAKE/SUSP.)	5465856 AR	6.35	REPAIR KIT, FRT (1 3/16" DIA.)
60-62 Y W/H.D. BRAKES, SUSP.	5465856 AR	4.83	REPAIR KIT, RR (USE W/1 1/8" DIA. CYL.) (NOTE 3)

BRAKES

4.665 CYLINDER-HOUSING-REPAIR KIT, Wheel Brake (Con't)

60	Y W/H.D. BRAKE/SUSP.	5463197	AR	5.00	REPAIR KIT, FRT
65-86	Y (EXC. DISC BRAKE)	5455855	AR	4.82	REPAIR KIT, RR (1" DIA. CYL.) (NOTE 3)
65	Y (EXC. DISC BRAKE)	5455566	AR	6.35	REPAIR KIT, FRT (1 3/16" DIA)

4.666 PLUG-RING-VALVE, Wheel Cylinder

65-82	Y	5467211	2	60	PLUG, RR CALIPER PSTN OTR HSG
65-82	Y	5465969	AR	56	RING, FRT AND RR CALIPER BLEEDER VLV
63-60	Y	5455122	4	74	VALVE, FRT AND RR
61-82	Y	5455122	2	74	VALVE, FRT
61-82	Y	5459294	AR	99	VALVE, BLEEDER, RR
63	Y	5459294	AR	99	VALVE, BLEEDER, FRT
64-86	Y	5459294	AR	99	VALVE, BLEEDER, FRT AND RR
65-82	Y (1ST DESIGN-1980)	5469230	AR	56	VALVE, BLEEDER FRT AND RR CALIPER (5/16-24)
80-81	Y (2ND DESIGN-METRIC-1980)	18003151	AR	78	VALVE, BLEEDER FRT AND RR CALIPER (8M X 1.25)

4.667 CUP-REPAIR KIT-SEAL, Wheel Brake

NOTE 1: CONSISTS OF 2 O-RINGS, 1 PISTON SEAL AND 1 BOOT.

NOTE 2: KIT DOES NOT INCLUDE PISTON, SCREW OR INSULATOR. SEE GROUP 4.668

63-59	Y	5455858	AR	4.83	CUP, FRT (1 1/8")
60-82	Y W/H.D. BRAKE/SUSP.	5455856	AR	4.83	CUP, FRT (1 1/8")
63-64	Y (EXC. H.D. BRAKE/SUSP.)	5455855	AR	4.82	REPAIR KIT, RR
65-86	Y (EXC. DISC BRAKE)	5455855	AR	4.82	REPAIR KIT, RR (1" DIA. CYL.)
66-82	Y W/DISC BRAKE	5467288	AR	N.L.	REPAIR KIT, FRT (1 7/8 DIA.) (NOTE 1,2)
66-82	Y W/DISC BRAKE	5467288	AR	N.L.	REPAIR KIT, RR (1 3/8 DIA.) (NOTE 1,2)
65-79	Y	5465961	8	2.29	SEAL, FRT BRK CLPR PSTN

4.668 INSULATOR-PISTON-SCREW, Wheel Cylinder

NOTE 1: CONSISTS OF PISTON, INSULATOR AND SCREW.

65-86	Y	5471818	4	16.50	INSULATOR, FRT
65-86	Y	5472040	4	16.50	INSULATOR, RR
67-75	Y W/H.D. BRAKES	5463822	8	16.50	INSULATOR, FRT
67-75	Y W/H.D. BRAKES (2ND DESIGN)	5469593	8	16.50	INSULATOR, RR
67	Y W/H.D. BRAKES (1ST DESIGN)	5472040	4	16.50	INSULATOR, RR
65-86	Y	5471861	4	22.35	PISTON, FRT (NOTE 1)
65-86	Y	5472039	4	23.55	PISTON, RR (NOTE 1)
65-75	Y (EXC. H.D. BRAKES)	5471370	4	7.35	PISTON, FRT
67-75	Y (EXC. H.D. BRAKES)	5471371	4	7.35	PISTON, RR
67	Y W/H.D. BRAKES (2ND DESIGN)	5463823	8	29.45	PISTON, FRT
67	Y W/H.D. BRAKES (2ND DESIGN)	5469592	2	29.45	PISTON, RR
67	Y W/H.D. BRAKES (1ST DESIGN)	5471861	4	22.35	PISTON, FRT (NOTE 1)
67	Y W/H.D. BRAKES (1ST DESIGN)	5472039	4	23.55	PISTON, RR (NOTE 1)
68-76	Y W/H.D. BRAKES	5463823	8	29.45	PISTON, FRT
68-76	Y W/H.D. BRAKES	5469592	2	29.45	PISTON, RR
76-82	Y	5471370	4	7.35	PISTON, FRT
76-82	Y	5471371	4	7.35	PISTON, RR
75	Y W/H.D. BRAKES	455801	8	28	SCREW, FRT PSTN

4.669 SPRING, Wheel Cylinder

67-59	Y W/H.D. BRAKE/SUSP.	5458566	2	6.35	SPRING, RR
60-85	Y	5458566	2	6.35	SPRING, FRT
61-82	Y W/H.D. BRAKE/SUSP.	5458566	2	6.35	SPRING, RR
65-82	Y	5465915	8	1.24	SPRING, RR BRK CALIPER PSTN RTN
67-82	Y	5468733	AR	76	SPRING, FRT BRK CALIPER PSTN RTN

4.671 BOLT-INSERT-WASHER, Brake Hose

63-55	Y	478099	LH	57	BOLT, RR CYL INLET CONN. (7/16-20 X 1 1/16 O.L.)
65-82	Y	5453786	2	96	INSERT, RR BRK CALIPER INLET HOSE CONN HOLE
67-69	Y	5452322	2	46	INSERT, BRK MAIN CYL PIPE CONN BOLT
67-73	Y	5452322	2	46	INSERT, BRK MAIN PIPE CONN BOLT (MORaine) (4.661)
63-82	Y	475660	AR	38	WASHER (FL M11.4 X 17.5 X 1.3)
78-82	Y	14000172	AR	10	WASHER, COPPER(M10.3X17X1.30)

BRAKES

4.675		LINK, Wheel Cylinder to Brake Shoe Thrust			
53-68	Y	509233	8	85	LINK, FRT AND RR (2 1/16 O.L.)
4.680		HOSE, Wheel Brake			
57-82	Y	3696551	8	12.00	HOSE, FRT AND RR (7/16-20 EXT. 3/8-24 INT. 17 C.L.)
63-82	Y	357793	2	17.85	HOSE, FRT
63-82	Y	357794	2	16.50	HOSE, RR
4.681		BRACKET-SPRING, Brake Hose or Pipe			
NOTE 1: "L" SHAPE WITHOUT SIDE PROJECTION.					
63-82	Y	3770241	LH	1.30	BRACKET, FRT FRAME (NOTE 1)
63-82	Y	3770242	RH	1.30	BRACKET, FRT FRAME (NOTE 1)
63-67	Y (EXC. H.D. BRAKE)	3828493	1	69	BRACKET, RR BRK HOSE
68-74	Y (EXC. SP. H/PER.)	3828493	1	69	BRACKET, RR BRK HOSE
75-82	Y	3828493	1	69	BRACKET, RR BRK HOSE
53-82	Y	334981	AR	45	SPRING, FRT AND RR BRK HOSE YOKE
4.683		FLUID, Hydraulic Brake System			
53-79	Y	5464830	AR		FLUID, SUPREME NO. 11 (12 OZ. CAN)
4.686		CLIP-CONNECTOR, Brake Hose or Pipe			
NOTE 1 PRIOR TO INSTALLATION, IT IS NECESSARY TO DE-BURR SHARP EDGE SO THAT IT MAY COME IN CONTACT WITH TUBING.					
53-55	Y	3957100	AR	33	CLIP, PIPE TO HSG. COVER (BOLT ON FLAT TYPE-13/32 BOLT HOLE)
55-59	Y	1380949	AR	33	CLIP, RR BRK RR PIPE (HOLDS 3/16 AND 5/16 DIA. TUBE)
65-82	Y	340819	1	44	CLIP, RR BRK C/OVR PIPE
70-78	Y	478600	AR	35	CLIP, CLOSED (STEEL) (TYPE 5 TANG)
72-79	Y	556937	AR	33	CLIP, STEEL NOMINAL TUBE DIA (M4.78 MTG SPAN M13.50 ATCH HOLE M10.31) (NOTE 1)
74-78	Y	343461	AR	35	CLIP, CLOSED (3/16 PIPE) (.70 MTG, 11/32)
75-77	Y	343460	1	35	CLIP, MAIN CYL. PIPE
75-79	Y	2044153	AR	49	CLIP (3/8 PIPE X 1 1/18 M.T. X 5/8 WIDE)
76-77	Y	340814	2	35	CLIP, FRT BRK PIPE, RR BRK C/OVR PIPE
78-82	Y	342676	AR	38	CLIP, FRT BRK PIPE (7.346)
63-82	Y	3826355	RH	2.00	CONNECTOR, RR BRK HOSE
65-82	Y	3878796	LH	4.65	CONNECTOR, RR BRK HOSE
4.690		SWITCH-VALVE, Brake Pressure Regulator			
67-68	Y	3904303	1	29.00	SWITCH, W/DIST BRK PIPE
69	Y	3956727	1	28.50	SWITCH, W/DIST BRK PIPE
70-73	Y	3980797	1	28.00	SWITCH, W/DIST BRK PIPE
74-77	Y	339780	1	44.50	SWITCH, W/DIST BRK PIPE
65-66	Y W/H.D. BRAKES	3878944	1	165.00	VALVE, RR METERING
78-82	Y	1257208	1	50.50	VALVE, BRK COMB
4.760		SPRING, Brake Pull Back			
64-82	Y	3849615	1	.77	SPRING, PARK BRK LVR RTN
67-82	Y	3921686	1	.54	SPRING, PEDAL RTN
4.765		EQUALIZER-RETAINER, Parking Brake Cable			
63-64	Y	3794010	1	1.60	EQUALIZER, CABLE
64-82	Y	1497525	1	1.35	EQUALIZER, CABLE
55-67	Y	3749084	AR	.49	RETAINER, IDLER LVR ROD & ACTR LVR ROD- (4.037)
4.779		CABLE, Parking Brake			
53-82	Y	3706146	1	21.15	CABLE, PRK BRK FRT TO LVR (64 3/4 O.L.)
56-62	Y	3711840	2	16.55	CABLE, PRK BRK RR (52 13/64 O.L.)
63	Y	3819101	LH	16.55	CABLE, PRK BRK RR
63	Y	3819102	RH	28.00	CABLE, PRK BRK RR
64-66	Y	3842936	1	15.30	CABLE, PRK BRK FRT
64-65	Y (EXC. DISC BRAKES)	3842941	LH	12.60	CABLE, PRK BRK RR (39 3/8 O.L.)
64-65	Y (EXC. DISC BRAKES)	3842942	RH	12.60	CABLE, PRK BRK RR (43 9/16 O.L.)
65-82	Y W/DISC BRAKES	3866427	1	22.80	CABLE, PRK BRK RR (87 1/2 O.L.)
67-82	Y	3897441	1	11.15	CABLE, PRK BRK FRT (29 5/16 O.L.)
4.784		SEAL, Parking Brake Cable			
53-55	Y	496342	2	.52	SEAL, CLAMP (FELT)
53-55	Y	3782636	AR	.99	SEAL, RR

BRAKES

4.784 SEAL, Parking Brake Cable (Con't)					
65-77	Y	3782536	AR	99	SEAL, RR
4.785 BRACKET-CONNECTOR-GUIDE-RETAINER, Parking Brake Cable					
64-81	Y	3980797	AR	3.50	BRACKET, PK BRK RR
65-82	Y	3864275	LH	40	BRACKET, CBL GUIDE
66-82	Y	3864276	RH	40	BRACKET, CBL GUIDE
68-79	Y	3913881	1	4.20	BRACKET, PK BRK TO C/MBR
82	Y	14044583	RH	3.50	BRACKET, PK BRK CBL RR
63-84	Y	3770112	AR	40	CONNECTOR
66	Y (EXC. DISC BRAKE)	537485	2	40	CONNECTOR
65-82	Y	3864278	2	35	GUIDE, CBL
82	Y	14033718	1	1.30	GUIDE, PK BRK RR CBL
82	Y	14042299	1	1.35	GUIDE, PK BRK FRT CBL
62-85	Y	516213	AR	30	RETAINER (TO FRAME FRT ANCHOR)
63-82	Y	516213	AR	30	RETAINER, FRT AND RR
4.790 PULLEY-SPACER, Parking Brake					
65-66	Y	3780116	AR	1.20	PULLEY (9/16 I D)
67-82	Y	339727	1	1.60	PULLEY (3/4 I D)
67-82	Y	3899215	1	54	SPACER, PULLEY
4.810 RETAINER, Power Brake Booster(Hydraulic)					
79-81	Y	18002318	1	1.10	RETAINER, DIAPH PWR HD
4.845 SEAL, Power Brake Booster					
79-82	Y	7829923	AR	88	SEAL (7.65MM I D X 1.63MM THICKNESS) (6 673)
4.850 BEARING, Idler Pulley					
68-75	Y	908076	1	11.58	BEARING, W/IDLER PULLEY
4.898 REPAIR KIT, Power Brake Booster(Vacuum)					
74-78	Y	8259189	1	38.75	REPAIR KIT, CYL (BENDIX 2511303)
77	Y	18002327	1	48.25	REPAIR KIT, CYL
78-80	Y	18005431	1	36.25	REPAIR KIT, CYL
81-82	Y	18007897	1	42.50	REPAIR KIT, VAC PWR BOOS
4.901 BOOSTER, Power Brake(Vacuum)					
68-76	Y	338908	1	210.00	BOOSTER, VAC PWR BRK (BENDIX 2510842)
77	Y	18005064	1	167.00	BOOSTER, VAC PWR BRK
78	Y	18003818	1	155.00	BOOSTER, VAC PWR BRK
79-81	Y	18003676	1	171.60	BOOSTER, VAC PWR BRK (LETTER CODE RL)
81-82	Y	18006555	1	173.40	BOOSTER, VAC PWR BRK (LETTER CODE NR)
4.906 SHELL, Power Brake Booster(Vacuum)					
68-78	Y	3979589	1	18.75	SHELL, W/SEAL, RR (BENDIX 2509091)
68-78	Y	3979590	1	21.10	SHELL, W/STUD, FRT (BENDIX 2509088)
4.910 GASKET-PLATE-RETAINER-SEAL, Power Brake Booster					
67-82	Y	9791640	1	51	GASKET, PWR BRK BOOS TO DASH
77-78	Y	9785085	1	2.80	PLATE, W/SEAL PWR BRK BOOS (BENDIX 2500933)
68-82	Y	9787620	1	2.45	RETAINER, MAIN CYL SEAT GSKT
67	Y	6480935	1	1.25	SEAL, FRT SHELL
68-82	Y	730392	1	54	SEAL, BRK MAIN CYL
68-77	Y	3910048	1	2.85	SEAL, W/PLT (BENDIX 2501325)
4.913 FILTER-RETAINER-SILENCER, Power Brake Booster					
63-87	Y	5466534	1	88	FILTER, A/CL
72-78	Y	5466534	1	88	FILTER, A/CL
78-82	Y	17070814	1	N.L.	FILTER, HOSE
68-78	Y	9778477	1	1.15	RETAINER, SIL (BENDIX 2501644)
68-78	Y	1382320	1	85	SILENCER, BRK CYL VLV (BENDIX 2503550)
68-78	Y	1382321	1	73	SILENCER, BRK CYL A/CL (BENDIX 2503551)
4.918 PLUNGER-SEAL, Power Brake Booster(Vacuum)					
78-80	Y	18003799	1	19.10	PLUNGER, W/VLV
81-82	Y	18007889	1	22.30	PLUNGER, W/VLV
68-73	Y	1478290	1	4.60	SEAL, BODY (BENDIX 2500929)
74-78	Y	335077	1	7.30	SEAL, BODY (BENDIX 2510508)

WAREHOUSING AND DISTRIBUTION DIVISION OF GENERAL MOTORS CORPORATION — CHEVROLET—14A

4.784-4.918

4-58

REV. 12-83

BRAKES

4.922		BODY-DIAPHRAGM-PISTON-PISTON KIT-PLATE-RETAINER, Power Brake Booster(Vacuum)			
68-78	Y	9785077	1	14.60	BODY, VLV (BENDIX 2503485)
64-67	Y	5464288	1	15.55	DIAPHRAGM, PSTN
68-78	Y	485050	1	10.30	DIAPHRAGM, FRT (BENDIX 2509818)
68-78	Y	9785081	1	10.25	DIAPHRAGM, RR (BENDIX 2503491)
64-69	Y	5467849	1	12.60	PISTON
77	Y	2623162	1	27.25	PISTON
78-80	Y	18003840	1	30.75	PISTON KIT
81-82	Y	18007898	1	41.25	PISTON KIT
68-78	Y	9785082	1	13.25	PLATE, DIAPH FRT (BENDIX 2503524) (IN PLACE OF 3910044)
68-78	Y	9785104	1	9.90	PLATE, CYL CTR (BENDIX 2503488)
68-78	Y	3910042	1	6.95	RETAINER, DIAPH (BENDIX 2503561)
77-78	Y	3910036	1	59	RETAINER, POPPET (BENDIX 2501318)
4.924		BEARING-HEAD-O RING-ROD-SEAL-SHAFT-SPRING, Power Brake Booster(Vacuum)			
64-67	Y	5485205	1	3.70	BEARING, PSTN (MORAINÉ)
77-78	Y	1809054	1	7.25	HEAD, CYL PUSH ROD
64-67	Y	5484332	1	70	O RING, MAIN CYL PSTN
68-76	Y	3057945	1	8.50	ROD, PUSH (BENDIX 250742)
77-82	Y	5489384	1	11.35	ROD, VAC PWR BOOS PSTN
68-78	Y	9785083	1	62	SEAL, DIAPH PLT (BENDIX 2503493)
77-78	Y	1809053	1	16.55	SHAFT, CYL PUSH
70-78	Y	1232889	1	2.95	SPRING, DIAPH RTN (BENDIX 2508131)
74-78	Y	335076	1	53	SPRING, CYL VLV ROD (BENDIX 2510568)
77-78	Y	548329	1	1.30	SPRING, CYL VLV RTN (BENDIX 2504923)
4.930		CLAMP-GROMMET-SUPPORT-TUBE, Power Brake Booster(Vacuum)			
53-74	Y	1470029	AR	1.60	CLAMP, HOSE-(1.166)
74-82	Y	468263	1	57	GROMMET, P.B. BOOSTER TUBING
71-72	Y (EXC. SP. H/PER. 350, 454)	3989025	1	6.05	SUPPORT, W/PIPE, BRK
73	Y	3989025	1	6.05	SUPPORT, W/PIPE, BRK
75-76	Y	354698	1	6.05	SUPPORT, W/PIPE BRK
77	Y	468025	1	6.15	SUPPORT, W/PIPE, BRK
82	Y	14040579	1	2.95	TUBE.
4.931		ELBOW-FITTING-GASKET-HOSE-TEE, Power Brake Booster(Vacuum)			
NOTE 1: HOSE TAKE OFF IS 3/8 AND 1/4.					
63-65	Y	2415944	AR	21.20	ELBOW, POWER BRK PIPE (3/8) (1.159)
82	Y	14046805	1	8.30	FITTING, PWR BRK BOOS TUBE (ELBOW-90 DEGREE)
68-77	Y	9791640	1	51	GASKET (4.910)
75-82	Y	369181	AR	16.05	HOSE, BOOS ER TO MOD (15/32 I.D.)
64-66	Y	3989020	1	1.20	TEE, INLET MANIF (3/8-18) (PIPE THD) (ONE 3/8 HOSE)
80-81	Y (350) W/M.T. (M18)	1234292	1	8.30	TEE, HOSE
4.934		BUMPER-DISC, Power Brake Booster Reaction			
64-67	Y	5464318	1	53	BUMPER, CYL REACTION
68-78	Y	388134	1	2.55	DISC, CYL (3/8 THK.) (BENDIX 2503065)
4.935		RETAINER, Vacuum Power Brake Cylinder Relay Valve			
NOTE 1: THIS KIT CONSISTS OF A SPRING SEAT, SPRING RETAINER, CONTROL VALVE SPRING, FLOATING CONTROL VALVE ASM., AND FLOATING VALVE RETAINER.					
64-67	Y	5464369	1	84	RETAINER, FLOATING VLV
4.940		POPPET, Power Brake Booster Valve Body			
68-78	Y	9785071	1	4.65	POPPET, BRK CYL (BENDIX 2501062)
4.942		RETAINER, Cylinder Poppet			
68-73	Y	3910036	1	59	RETAINER
4.955		GROMMET-VALVE, Power Brake Booster Check(Vacuum)			
63-78	Y	5461808	1	2.20	GROMMET, CHECK VLV
63	Y W/SP. H/PER.	2621069	1	6.70	VALVE, W/HOSE CONN
64-74	Y	18003614	1	N.L.	VALVE, W/GROMMET
73-78	Y	3996836	1	4.35	VALVE (BENDIX 2509702)
77-82	Y	18003614	1	N.L.	VALVE, W/GROMMET

MICROFICHE INDEX
GROUPS 4.000 THRU 5.000
FICHE 3 OF 6

GROUP DESCRIPTION	STARTING GRID LOCATION PARTS ILLUSTRATIONS	
- INTRODUCTION	A-6	I-2
- GENERAL INFORMATION	A-2	I-2
- ALPHABETICAL INDEX	C-11	N.A.
- INDEX FOR ADDITIONAL INFORMATION	A-5	N.A.
4.000 TRANSMISSION · BRAKES	E-2	I-6
5.000 BRAKES · REAR AXLE · PROPELLER SHAFT · WHEELS .	H-7	L-19
- OUT OF FICHE CALLS	N.A.	N-16

H-1

"Y" 1982 POWER BOOSTER CHART

PRODUCTION	SERVICE	TYPE	DIV.	USAGE	COL. NO.
18006555	18006555	Moraine	1	Y.....	1

"Y" 1982 POWER BOOSTER CHART

	Group	1
SERVICE POWER BOOSTER	4.301	18006555
POWER BOOSTER REPAIR KIT	4.898	18007897
PISTON KIT	4.522	18007898
PISTON ROD KIT	4.924	5469384
VALVE & GROMMET	4.955	18003614
AIR VALVE (Plunger & Valve)	4.918	18007089
VACUUM SWITCH KIT	4.906	

"Y" 1982 MASTER CYLINDER CHART

PRODUCTION	SERVICE	TYPE	DIV.	USAGE	COL. NO.
18004253	18005307	Moraine	1	Y	1

"Y" 1982 MASTER CYLINDER CHART

	Group	1
SERVICE MASTER CYL.....	4 650	18005307
REPAIR KIT.....	4 649	18002379
RESVR. DIAPH. KIT.....	4 651	5455516
RESVR. COVER KIT.....	4 651	18000781
SECD. PISTON KIT.....	4 653	18001487
PUSH ROD KIT.....	4 658
RESVR. & GROMMET KIT.....	4 651
PROP. VALVE.....	4 652
PROP. VALVE (10mm).....	4 652
PROP. VALVE (13mm).....	4 652
PISTON & WARN. SWITCH KIT.....	4 663
BAIL.....	4 651	5455518
ADAPTER (Spacer).....	4 648
DIAPHRAGM.....	4 651

PARTS

5



CHEVROLET

CHEVROLET CHASSIS GROUP 5.000



CHEVROLET

BRAKES — REAR AXLE — PROPELLER SHAFT — WHEELS

ALPHABETICAL INDEX

A		E	
ARM, Rear Axle Control	5.382	EMBLEM, Wheel Cover Appearance	5.871
		EXTENSION, Tire Valve And Cover Lock	5.875
B		F	
BEARING, Differential Drive Pinion	5.484	FLANGE, Propeller Shaft Pinion	5.545
BEARING, Differential Drive Pinion Front	5.447	FLANGE, Rear Axle Universal Joint	5.425
BEARING, Differential Side	5.536	FLANGE, Rear Wheel	5.806
BEARING KIT, Rear Wheel	5.855		
BEARING, Rear Axle U Joint	5.428	G	
BEARING, Rear Wheel	5.855	GASKET, Axle Housing to Differential Carrier	5.508
BOLT, Brake Flange Plate	5.002	GASKET, Brake Flange Plate	5.002
BOLT, Brake Shoe Anchor Pin	5.058	GASKET, Rear Axle or Final Drive Filler and Drain	5.400
BOLT, Differential Carrier	5.506	GASKET, Rear Axle Housing Cover	5.399
BOLT, Hub or Drum (Front and Rear Wheel)	5.812	GEAR, Differential Pinion	5.526
BOLT, Rear Axle Control Arm	5.383	GEAR, Differential Side	5.528
BOLT, Rear Axle Housing	5.398	GEAR KIT, Differential Side	5.527
BOLT, Rear Axle U Joint	5.428	GEAR, Ring and Pinion	5.529
BOLT, Ring Gear	5.531	GUIDE, Differential Clutch	5.511
BOLT, Universal Joint Bearing and Flange	5.586	GUSSET, Differential Carrier Mounting	5.500
BRACKET, Brake Flange	5.001		
BRACKET, Differential Carrier Mounting	5.500	H	
BRACKET, Rear Axle Control Arm	5.380	HUB, Front and Rear Wheel Brake	5.809
BUMPER, Rear Axle	5.395	HUB, Wheel Cover Appearance	5.871
BUSHING, Rear Axle	5.417		
BUSHING, Rear Axle Control Arm	5.381	I	
		INSERT, Wheel Cover Appearance	5.871
C		K	
CAM, Rear Axle	5.417	KIT, Brake Shoe Adjusting	5.110
CAP, Rear Axle	5.417		
CAP, Rear Axle U Joint	5.428	L	
CAP, Tire Valve And Cover Lock	5.875	LEVER, Brake Shoe Automatic Adjusting	5.103
CAP, Wheel Trim	5.858	LEVER KIT, Parking Brake	5.149
CARRIER, Differential, with Cap	5.505	LEVER, Parking Brake	5.149
CASE, Differential (Ring Gear and Pinion)	5.510	LINK, Brake Shoe Automatic Adjusting Lever	5.105
CLIP, Brake Shoe Anchor Pin	5.058	LOCK, Rear Axle U Joint	5.428
CONE, Differential Drive Pinion	5.484		
COVER, Brake Adjusting Hole	5.117		
COVER, Rear Axle Housing	5.398		
COVER, Wheel Trim	5.858		
CUSHION, Differential Carrier Mounting	5.500		
D			
DEFLECTOR, Propeller Shaft Pinion	5.545		
DEFLECTOR, Rear Axle Universal Joint	5.425		
DISC, Front and Rear Wheel Brake	5.809		
DRUM, Front and Rear Wheel Brake	5.809		

ALPHABETICAL INDEX

N			
NUT, Hub Front and Rear	5 813	SHIM, Rear Wheel	5 855
NUT, Propeller Shaft Pinion Flange	5 595	SHOE KIT, Brake	5 017
NUT, Rear Axle	5 829	SLINGER, Differential Drive Pinion	5 484
NUT, Rear Axle Control Arm	5 383	SOCKET, Brake Shoe Adjusting Screw	5 111
		SPACER, Differential Bearing Adjusting	5 537
O		SPACER, Differential Drive Pinion Front and Center Bearing	5 453
O RING, Rear Axle Shaft Bearing or Hub	5 822	SPACER, Rear Axle Shaft Bearing	5 816
ORNAMENT, Wheel Cover Appearance	5 871	SPACER, Universal Joint Yoke Trunnion	5 566
P		SPINDLE, Rear Wheel	5 806
		SPRING, Brake Drum	5 810
PIN, Brake Shoe Anchor	5 055	SPRING, Brake Shoe	5 026
PIN, Brake Shoe Hold Down	5 043	SPRING, Brake Shoe Automatic Adjusting Lever	5 107
PIN KIT, Brake Shoe Hold Down	5 043	SPRING, Differential Clutch	5 511
PIVOT, Brake Shoe Automatic Adjusting	5 103	SPRING KIT, Brake Shoe	5 026
PLATE, Brake Flange	5 001	SPRING, Parking Brake Lever	5 151
PLATE, Brake Shoe Guide	5 045	STRAP, Rear Axle Rebound	5 390
PLATE, Differential Clutch	5 511	STRUT, Parking Brake Lever	5 150
PLATE KIT, Differential Clutch	5 511	STRUT, Rear Axle Tie	5 415
PLATE, Rear Axle Control Arm	5 381	SUPPORT, Brake Flange	5 001
PLUG, Rear Axle or Final Drive Filler and Drain	5 400	SUPPORT, Rear Axle Control Arm	5 380
		SUPPORT, Rear Axle Tie Rod	5 418
R		U	
REINFORCEMENT, Differential Carrier Mounting	5 500	U BOLT, Universal Joint Bearing and Flange	5 588
REPAIR KIT, Propeller Shaft Universal Joint	5 548		
REPAIR KIT, Rear Axle Universal Joint	5 425	V	
RETAINER, Differential Clutch	5 511	VALVE, Tire Valve And Cover Lock	5 875
RETAINER, Parking Brake Lever	5 158	VENTILATOR, Rear Axle	5 387
RETAINER, Propeller Shaft Universal Joint Trunnion	5 560	W	
RETAINER, Rear Axle Control Arm	5 381	WASHER, Brake Shoe Adjusting	5 110
RETAINER, Rear Axle U Joint	5 428	WASHER, Differential Pinion Thrust	5 542
RETAINER, Universal Joint Bearing and Flange	5 586	WASHER, Differential Side Gear Thrust	5 543
RETAINER, Wheel Cover Appearance	5 871	WASHER, Parking Brake Lever	5 158
RING, Differential Bearing Adjusting	5 537	WASHER, Propeller Shaft Pinion Flange	5 595
RING, Rear Axle Shaft Bearing	5 816	WASHER, Rear Axle	5 387
RING, Rear Axle U Joint	5 428	WASHER, Rear Axle	5 830
RING, Universal Joint Bearing and Flange	5 586	WASHER, Rear Axle Control Arm	5 380
RING, Wheel Cover Appearance	5 871	WASHER, Rear Axle Control Arm	5 383
ROD, Rear Axle Tie	5 415	WASHER, Rear Axle Tie Rod	5 418
		WEIGHT, Wheel Balance	5 805
S		WHEEL, Front or Rear	5 803
		Y	
SCREW, Brake Shoe Adjusting	5 110	YOKE, Propeller Shaft Pinion	5 545
SCREW, Differential Carrier	5 506	YOKE, Rear Axle Universal Joint	5 425
SCREW, Pinion Shaft Lock	5 518	YOKE, Rear Wheel	5 806
SCREW, Rear Axle or Final Drive Filler and Drain	5 000	YOKE, Universal Joint	5 555
SCREW, Rear Axle Housing	5 378		
SCREW, Wheel Cover Appearance	5 871		
SEAL, Differential Drive Pinion	5 469		
SEAL KIT, Rear Axle Shaft Bearing or Hub	5 822		
SEAL, Propeller Shaft Universal Joint Trunnion	5 560		
SEAL, Rear Axle Shaft Bearing or Hub	5 822		
SEAL, Rear Axle U Joint	5 430		
SHAFT, Differential Side Pinion	5 517		
SHAFT, Propeller	5 544		
SHAFT, Rear Axle	5 420		
SHAFT, Rear Axle Control Arm	5 381		
SHAFT, Rear Axle Universal Joint	5 425		
SHIELD, Brake Flange Plate	5 002		
SHIELD, Rear Axle Universal Joint	5 425		
SHIELD, Rear Wheel Bearing Dust	5 815		
SHIM, Differential Clutch	5 511		
SHIM KIT, Differential Rear Pinion Bearing	5 460		
SHIM KIT, Differential Bearing Adjusting	5 537		
SHIM, Rear Axle Control Arm	5 380		

BRAKES-REAR AXLE-PROPELLER SHAFT-WHEELS

5.001		BRACKET-PLATE-SUPPORT, Brake Flange			
65-82	Y	3864113	LH	21.35	BRACKET, CALIPER ADAP RR
65-82	Y	3864114	RH	21.35	BRACKET, CALIPER ADAP RR
65-82	Y	3928649	LH	14.60	BRACKET, CALIPER ADAP FRT
65-82	Y	3928650	RH	14.60	BRACKET, CALIPER ADAP FRT
65-82	Y	5465982	LH	15.05	PLATE, PARK BRK FLG RR
65-82	Y	5465983	RH	15.05	PLATE, PARK BRK FLG RR
68-76	Y W/H.D. BRK	3948880	RH	33.25	SUPPORT, CALIPER ADAP BRKT FRT
69-76	Y W/H.D. BRK	3948879	LH	34.50	SUPPORT, CALIPER ADAP BRKT FRT
5.002		BOLT-GASKET-SHIELD, Brake Flange Plate			
65-82	Y	3864037	8	59	BOLT, PARK BRK SPLASH SHIELD (3/8-24 X 2 7/8) (SHLDR DIA. 7/16)
65-82	Y	3864119	2	72	BOLT, FRT CALIPER ADAP BRKT (11/16-16 X 7/8)
70	Y	1385922	AR	1.75	BOLT, FRT BRK FLANGE PLT SHORT
75-79	Y (EXC H.D. BRK)	1385922	AR	1.75	BOLT, STRG KNUCKLE ARM (SHORT)
75-79	Y (EXC H.D. BRK)	3871512	2	2.20	BOLT, STRG KNUCKLE ARM (LONG) (1/2-20 X 2 21/32)
75	Y W/H.D. BRK	3948881	2	2.45	BOLT, STRG KNUCKLE ARM (LONG)
82	Y	1385922	2	1.75	BOLT, STRG KNUCKLE ARM (SHORT)
82	Y	3871512	2	2.20	BOLT, STRG KNUCKLE ARM (LONG) (1/2-20 X 2 21/32)
63-65	Y (EXC DISC BRK)	3953431	2	.38	GASKET, FRT FLANGE PLT TO STRG KNU
65-82	Y	3953431	1	.38	GASKET, FRT BRK DISC SPLASH SHIELD
69-82	Y	3953423	LH	4.90	SHIELD, FRT DISC SPLASH
69-82	Y	3953424	RH	4.75	SHIELD, FRT DISC SPLASH
5.017		SHOE KIT, Brake			
NOTE: METALLIC LININGS ARE DOUBLE SINTERED AS COMPARED TO THE SINGLE AND MUCH LARGER SINTERED CERAMETALIX LININGS.					
NOTE 1: IN NO CASE SHOULD A BRAKE DRUM BE TURNED DOWN MORE THAN .030/.060 ON DIA.					
NOTE 2: IN ORDER TO SERVICE ALL FOUR WHEELS, TWO KITS MUST BE ACQUIRED.					
NOTE 3: USED FOR RACING APPLICATIONS ONLY.					
53-60	Y (EXC H.D. BRK/SUSP)	1154134	1	N.L.	SHOE KIT, FRT (NON-METALLIC)
53-62	Y (EXC H.D. BRK/SUSP)	5470537	1	N.L.	SHOE KIT, FRT (PRIM AND SECD) (NON-METALLIC)
63-64	Y	3794191	1	135.00	SHOE KIT, RR (1 1/2 X 2 3/4) (METALLIC)
64	Y	1154123	1	N.L.	SHOE KIT, FRT (.30 OS) (BONDED TYPE) (NON-METALLIC) (NOTE 1)
64	Y	1154134	1	N.L.	SHOE KIT, RR (BONDED TYPE) (PRIM AND SECD) (.030 O.S. FACINGS-GROOVED) (NON-METALLIC)
65-82	Y	12300212	1	N.L.	SHOE KIT, PARK BRK (NON-METALLIC)
65-82	Y W/DISC BRK (EXC H.D.)	1154122	1	N.L.	SHOE KIT, RR (RIVETED) (NON-METALLIC) (NOTE 2)
65-75	Y W/H.D. BRK	5452515	1	95.00	SHOE KIT, RR (BONDED) (NON-METALLIC)
65-75	Y W/H.D. BRK (DISC)	5468882	1	390.00	SHOE KIT, FRT (NON-METALLIC) (HEAVY DUTY) (NOTE 3)
68-82	Y (EXC H.D.)	1154122	1	N.L.	SHOE KIT, FRT (RIVETED) (NON-METALLIC) (NOTE 2)
75-82	Y	12300212	1	N.L.	SHOE KIT, PARK BRK W/FACING
5.026		SPRING-SPRING KIT, Brake Shoe			
NOTE 1: EACH UNIT CONTAINS MATERIAL FOR ONE WHEEL.					
53-62	Y	3707417	AR	90	SPRING, ADJ SCREW, FRT AND RR
56-62	Y (EXC METALLIC LININGS, H.D. BRK/SUSP.)	3739278	2	.54	SPRING, PULL BACK FRT SECD
63-66	Y (EXC DISC BRK)	3807347	AR	.64	SPRING, ADJ SCREW, FRT AND RR (2 31/32 C.L. GREEN)
85-82	Y	5465943	2	1.02	SPRING, PARK BRK PULL BACK
85-82	Y	5465944	2	.63	SPRING, PARK BRK ADJ SCREW
53-68	Y	3981995	1	2.90	SPRING KIT, (NOTE 1)
59-82	Y (EXC H.D. BRK)	3981995	1	2.90	SPRING KIT, (NOTE 1)
63-64	Y (EXC H.D. BRK)	3981988	1	5.05	SPRING KIT, (NOTE 1)
63-64	Y W/METALLIC LININGS	3981988	1	5.05	SPRING KIT, (NOTE 1)
5.043		PIN-PIN KIT, Brake Shoe Hold Down			
65-82	Y (EXC. H.D.)	5467815	AR	1.59	PIN, FRT AND RR RET (5/16 X 3 27/32)
53-82	Y	326075	1	4.55	PIN KIT, PARK BRK SHOE HOLD DOWN
5.045		PLATE, Brake Shoe Guide			
59-62	Y W/METALLIC LININGS (EXC H.D. BRK/SUSP)	18002428	AR	.56	PLATE, FRT AND RR (2 1/2 O.L. X 9/64 THICK)

BRAKES-REAR AXLE-PROPELLER SHAFT-WHEELS

5.045		PLATE, Brake Shoe Guide (Con't)			
63	Y	18002428	AR	56	PLATE, FRT AND RR (2 1/2 O.L. X 9/64 THICK)
65-82	Y	5485949	2	51	PLATE, PARK BRK SHOE GUIDE (1 1/2 O.L. X 3/64 THICK)
5.055		PIN, Brake Shoe Anchor			
62-64	Y	3820272	2	4.70	PIN, FRT
65	Y (EXC DISC BRK)	3820272	2	4.70	PIN, FRT
5.056		BOLT-CLIP, Brake Shoe Anchor Pin			
65-82	Y	5467056	2	1.24	BOLT, PARK (1/2-20 X 2)
65-82	Y	5465995	2	.43	CLIP, PARK LVR PIVOT PIN
5.103		LEVER-PIVOT, Brake Shoe Automatic Adjusting			
63-64	Y (EXC SP/PER)	5462098	LH	1.60	LEVER, FRT AND RR
63-64	Y (EXC SP/PER)	5462099	RH	1.60	LEVER, FRT AND RR
65	Y (EXC DISC BRK)	5462098	LH	1.60	LEVER, FRT AND RR
65-66	Y (EXC DISC BRK)	5462099	RH	1.60	LEVER, FRT AND RR
63-65	Y (EXC SP/PER)	3856855	LH	.52	PIVOT, FRT AND RR
63-65	Y (EXC SP/PER)	3856856	RH	.52	PIVOT, FRT AND RR
66	Y	3856855	LH	.52	PIVOT, FRT AND RR
66	Y	3856856	RH	.52	PIVOT, FRT AND RR
5.105		LINK Brake Shoe Automatic Adjusting Lever			
63-64	Y (EXC SP/PER)	5461156	LH	1.60	LINK, FRT AND RR
63-64	Y (EXC SP/PER)	5461157	RH	2.00	LINK, FRT AND RR
63-64	Y W/SP H/PER	5461156	RH	1.60	LINK, FRT AND RR (5 5/16 O.L.)
63-64	Y W/SP H/PER	5461157	LH	2.00	LINK, FRT AND RR
65	Y (EXC DISC BRK)	5461156	LH	1.60	LINK, FRT AND RR
65	Y (EXC DISC BRK)	5461157	RH	2.00	LINK, FRT AND RR
5.107		SPRING, Brake Shoe Automatic Adjusting Lever			
63-66	Y (EXC METALLIC LININGS)	5461145	AR	1.05	SPRING, FRT AND RR OVERRIDE (2 21/32 O.L. GREEN) (18 COILS-2 5/8 FREE LENGTH)
63-65	Y (EXC METALLIC LININGS, DISC BRAKE)	5461984	AR	.57	SPRING, FRT AND RR
5.110		KIT-SCREW-WASHER, Brake Shoe Adjusting			
<i>NOTE 1: KIT CONTAINS SCREW, NUT & SOCKET FOR ONE WHEEL.</i>					
63-62	Y	3981978	1	2.80	KIT, (NOTE 1)
63-64	Y (EXC H.D. BRK)	3997399	LH	2.80	KIT, (NOTE 1)
63-64	Y (EXC H.D. BRK)	3997400	RH	2.75	KIT, (NOTE 1)
63-62	Y	496351	AR	1.50	SCREW, FRT AND RR (BENDIX 29491)
65-82	Y	5467297	2	2.74	SCREW, W/NUT, PARK BRK ADJ PIVOT
63-64	Y (EXC SP/PER)	5462496	4	.45	WASHER, FRT AND RR ADJ SCREW (1/4 I.D. X 7/8 O.D.)
5.111		SOCKET, Brake Shoe Adjusting Screw			
65-82	Y	5465948	2	1.44	SOCKET, PARK BRK
5.117		COVER, Brake Adjusting Hole			
53-82	Y	5464803	AR	.50	COVER, FLANGE PLT
5.149		LEVER-LEVER KIT, Parking Brake			
65-65	Y	471893	LH	3.00	LEVER,
65-82	Y	5408678	LH	5.80	LEVER,
65-82	Y	5468679	RH	5.40	LEVER,
53-65	Y	471894	RH	3.00	LEVER KIT,
5.150		STRUT, Parking Brake Lever			
65-82	Y	5463537	LH	1.70	STRUT,
65-82	Y	5463538	RH	1.65	STRUT,
65	Y (EXC DISC BRK)	3825500	AR	3.05	STRUT,
5.151		SPRING, Parking Brake Lever			
53-66	Y (EXC DISC BRK)	1312281	2	.75	SPRING (27/32 MAX. I.D. X 1 1/4 O.L.)
5.158		RETAINER-WASHER, Parking Brake Lever			
68-76	Y	3998666	1	1.55	RETAINER, U/B TUN RR CNSL PARK BRK LVR SEAL
53-79	Y	1300540	2	.36	WASHER, SPR STEEL (17/32 HOLE)
65-82	Y	5465996	2	.48	WASHER, PIVOT PIN

BRAKES-REAR AXLE-PROPELLER SHAFT-WHEELS

5.380 BRACKET-SHIM-SUPPORT-WASHER, Rear Axle Control Arm

63-67 Y	3817827	1	11.70	BRACKET, RR WHL SPDL SUPT STRUT
65-82 Y	3864277	2	1.20	BRACKET, RR SUSP TORQ BPR
65-75 Y	3866045	LH	4.85	BRACKET, RR SUSP CONT ARM BPR
68-79 Y	356932	1	18.25	BRACKET, RR WHL SPDL SUPT STRUT
76-81 Y	357769	LH	3.70	BRACKET, RR SUSP CONT ARM BPR
76-81 Y	357770	RH	3.70	BRACKET, RR SUSP CONT ARM BPR
80-82 Y	14014808	1	18.25	BRACKET, RR WHL SPDL SUPT STRUT
63-82 Y	3983392	AR	1.35	SHIM, RR SUSP TORQ CONT ARM (4 1/2 X 1/4 W/17/32 DIA. OBLONG HOLE)
63-82 Y	3983393	AR	1.05	SHIM, RR SUSP TORQ CONT ARM (4 1/2 X 1/8 W/17/32 DIA. OBLONG HOLE)
63-82 Y	3983394	AR	1.05	SHIM, RR SUSP TORQ CONT ARM (4 1/2 X 1/32 W/17/32 DIA. OBLONG HOLE)
63-82 Y	3983395	AR	1.05	SHIM, RR SUSP TORQ CONT ARM (4 1/2 X 1/64 W/17/32 DIA. OBLONG HOLE)
63-82 Y	348103	LH	80.75	SUPPORT, CONT ARM TO SPDL
63-82 Y	348104	RH	80.75	SUPPORT, CONT ARM TO SPDL
80-82 Y	14034466	AR	.71	WASHER, RR WHL SPINDLE

5.381 BUSHING-PLATE-RETAINER-SHAFT, Rear Axle Control Arm

63-82 Y	3743857	4	3.85	BUSHING, RR SUSP TORQ ARM
80-82 Y	527595	2	7.75	BUSHING, DIFF CARR SUPT
63-82 Y	3820418	4	.66	PLATE, RR SUSP TORQ ARM BSHG
63-82 Y	3819806	2	1.45	RETAINER, RR SUSP TORQ ARM BSHG
63-82 Y	3910701	1	.80	RETAINER, RR SPRING CUSH INR(7.545)
63-82 Y	3829265	LH	34.75	SHAFT, RR WHL SPDL SUPT STRUT
63-82 Y	3829266	RH	34.75	SHAFT, RR WHL SPDL SUPT STRUT

5.382 ARM, Rear Axle Control

NOTE 1: SEE BOLT 3875097 IN GROUP 5.383.
NOTE 2: SEE BOLT 3864037 IN GROUP 5.002.

63-65 Y (EXC DISC BRK)	14035663	LH	140.00	ARM, TORQ CONT (LESS BOLTS) (NOTE 2)
63-65 Y (EXC DISC BRK)	14035664	RH	140.00	ARM, TORQ CONT (LESS BOLTS) (NOTE 1)
65-77 Y W/DISC BRK	14035663	LH	140.00	ARM, TORQ CONT (LESS BOLTS) (NOTE 2)
65-77 Y W/DISC BRK	14035664	RH	140.00	ARM, TORQ CONT (LESS BOLTS) (NOTE 2)
75-82 Y	14035663	LH	140.00	ARM, TORQ CONT
75-82 Y	14035664	RH	140.00	ARM, TORQ CONT

5.383 BOLT-NUT-WASHER, Rear Axle Control Arm

63-82 Y	458984	2	1.05	BOLT, RR TORQ CONT ARM
68 Y W/T.H.	458984	2	1.05	BOLT,
69-79 Y	458987	2	2.70	BOLT, DIFF CARR MT BRKT
75-77 Y	335224	AR	1.00	BOLT, DIFF CARR CVR
63-80 Y	3774712	2	.44	NUT, RR TORQ CONT ARM
77-82 Y	3891530	AR	.36	NUT, RR SHOCK ABS (LWR END)
63-82 Y	475359	4	.28	WASHER, RR TORQ CONT ARM

5.387 VENTILATOR-WASHER, Rear Axle

53-79 Y	8640496	1	1.00	VENTILATOR,
77-79 Y W/A.T. (M38)	8640496	1	1.00	VENTILATOR, TRANS
80-82 Y	14024359	1	.86	VENTILATOR, BREATHER (DANA 39402)
80 Y W/A.T. (MV4)	8640496	1	1.00	VENTILATOR, TRANS
80-82 Y	2423517	1	.49	WASHER, PNG NUT (5.812)

5.390 STRAP, Rear Axle Rebound

53-82 Y	3774449	2	6.10	STRAP (29 1/2 DEV. LENGTH) (5.410)
---------	---------	---	------	------------------------------------

5.395 BUMPER, Rear Axle

65-75 Y	3864280	2	2.90	BUMPER, RR SUSP TORQ CONT ARM
---------	---------	---	------	-------------------------------

5.398 BOLT-COVER-SCREW, Rear Axle Housing

NOTE 1: WHEN USING 464909 ON 1977 AND PRIOR YEARS, ALSO USE (1) 457977 PLATE (7.518), (2) 459032 SPACER (7.518), (AR) 335224 BOLT (5.383), AND (AR) 3899696 WASHER (8.929)

75-79 Y	10008936	AR	.35	BOLT, HEX (5/16-18X.945)
63-79 Y	464909	1	70.00	COVER, DIFF CARR (NOTE 1)
80-82 Y	14035612	1	353.00	COVER, DIFF CARR
80-82 Y	14024363	6	2.25	SCREW, CARR CVR

5.399 GASKET, Rear Axle Housing Cover

80-82 Y	14009972	1	2.45	GASKET, DIFF CARR CVR
---------	----------	---	------	-----------------------

BRAKES-REAR AXLE-PROPELLER SHAFT-WHEELS

5.400		GASKET-PLUG-SCREW, Rear Axle or Final Drive Filler and Drain			
53-74	Y	3921989	AR	48	GASKET (1/2" I.D. X 29/32" O.D.) (1.456)
58-64	Y	344829	1	58	PLUG (1-20 SQ. HD.-1 3/8 DIA. FLANGE)
65-79	Y	3866433	1	1 25	PLUG, W/INSTR TAG (7/64 O.L.)
80-82	Y	14024358	1	3 30	PLUG, FILLER
57-67	Y	3923420	1	61	SCREW (1/2"-20 X 13/16") (1.453)
5.415		ROD, STRUT, Rear Axle Tie			
80-82	Y	14010399	2	36.75	ROD, RR WHL SPDL
63-74	Y	4E9076	2	36.75	STRUT, RR WHL SPDL SUPT
75-79	Y	4E9076	2	36.75	STRUT, RR WHL SPDL SUPT
5.417		BUSHING-CAM-CAP, Rear Axle			
60-62	Y	3784839	2	3 55	BUSHING, RADIUS ROD
63-74	Y	3775762	1	5 45	BUSHING, RR WHL SPDL SUPT STRUT
74-82	Y	3829519	4	5 60	BUSHING, RR WHL STRUT ROD
63-82	Y	458979	2	5 65	CAM, RR WHL SPDL SUPT STRUT ADJ
63-82	Y	3790331	2	.60	CAM, RR WHL SPDL SUPT STRUT ADJ
63-82	Y	346390	4	45	CAP, RR WHL SPDL SUPT STRUT BUSHING
5.418		SUPPORT-WASHER, Rear Axle Tie Rod			
63-79	Y	3775613	2	14 65	SUPPORT, RR SUSP OTR MT (5 1/8 O.D.)
80-81	Y	3918493	4	37	WASHER (SEE GROUP 3.023 FOR USAGE)
5.420		SHAFT, Rear Axle			
63-79	Y	380912	2	81 50	SHAFT, RR WHL DR UJT
80-81	Y W/A.T.	14009998	2	149 00	SHAFT, RR WHL DR UJT
80	Y W/M.T.	14009999	2	162 00	SHAFT, RR WHL DR UJT
81	Y W/M.T. (M18)	14035651	2	162 00	SHAFT, RR WHL DR UJT
82	Y	14035651	2	162 00	SHAFT, RR WHL DR UJT
5.425		DEFLECTOR-FLANGE-REPAIR KIT-SHAFT-SHIELD-YOKE, Rear Axle Universal Joint			
63-79	Y	3819195	2	51	DEFLECTOR, DIFF CARR UJT YOKE
63-82	Y	3820241	2	72	DEFLECTOR, RR WHL SPDL FLANGE DUST
63-80	Y	380913	2	60 75	FLANGE, RR WHL UJT YOKE
80-81	Y W/M.T.	14067677	2	29 75	REPAIR KIT, RR WHL DR SHF U/JT (DANA 5-447X)
80-81	Y W/M.T. (M18)	14067677	2	29 75	REPAIR KIT, RR WHL DR SHF U/JT (DANA 5-447X)
82	Y	14067677	2	29 75	REPAIR KIT, RR WHL DR SHF U/JT (DANA 5-447X)
80-81	Y W/3.07R, A.T.	14024377	LH	111 00	SHAFT, YOKE (DANA 70987-1X)
80-81	Y W/3.07R, A.T.	14024378	RH	111 00	SHAFT, YOKE (DANA 70987-2X)
80-81	Y W/3.07R, M.T.	14024379	LH	149 00	SHAFT, YOKE (DANA 71090-1X)
80-81	Y W/3.07R, M.T.	14024380	RH	149 00	SHAFT, YOKE (DANA 71090-2X)
82	Y	14055964	2		SHIELD, RR WHL U/JT SHAFT SPH
63-67	Y (327)	14016438	2	82 00	YOKE, DIFF CARR UJT
65-67	Y (396, 427) W/P/TRAC	3872922	2	82 00	YOKE, DIFF CARR UJT
65-67	Y (396, 427) (EXC P/TRAC)	14016438	2	82 00	YOKE, DIFF CARR UJT
68-75	Y W/H.D. FLANGE	3872922	2	82 00	YOKE, DIFF CARR UJT
75-79	Y (EXC H.D. FLANGE)	14016438	2	82 00	YOKE, DIFF CARR UJT
5.428		BEARING-BOLT-CAP-LOCK-RETAINER-RING, Rear Axle U Joint			
65-79	Y	3847933	16	3 10	BEARING, UJT YOKE TRUN
80-81	Y W/3.07R (DANA)	7451785	2	N.L.	BEARING, YOKE (INR) (5.855)
80-81	Y	14023500	4	64	BOLT, PROP SHF TO RR AXLE
80-81	Y W/A.T.	14023500	16	64	BOLT, RR WHL DR UJT SHF (1/4-20 X .620)
80-81	Y W/A.T. (MV4, M33, MX3)	14023500	2	64	BOLT, UJT BEARING STRAP(5.428)
65	Y (396) SP./H/PER.	3872909	4	10 45	CAP, RR DRIVE SHAFT UJT BRG
66-75	Y	3872909	4	10 45	CAP, RR DRIVE SHAFT UJT BRG
63-79	Y	3860b43	4	35	LOCK, YOKE FLANGE BOLT (ROUND BRIDGE), RR WHL DRIVE SHF UJT YOKE FLANGE BOLT
80	Y W/A.T. (MV4, M33)	14018211	8	1 15	RETAINER, RR WHL DR UJT SHF
81	Y W/A.T. (MX3)	14018211	8	1 15	RETAINER, RR WHL DR UJT SHF
82	Y W/A.T. (MD8)	14018211	8	1 15	RETAINER, RR WHL DR UJT SHF
63-79	Y	3819196	2	35	RING, DIFF CARR UJT YOKE RET
5.430		SEAL, Rear Axle U Joint			
63-79	Y	3820419	2	3 50	SEAL, DIFF CARR UJT YOKE BRG OIL
64-78	Y	3847932	16	50	SEAL, RR WHL DRIVE SHF UJT YOKE TRUN BRG

BRAKES-REAR AXLE-PROPELLER SHAFT-WHEELS

5.430 SEAL, Rear Axle U Joint (Con't)					
80-81	Y	14024364	2	3 50	SEAL, YOKE (INR) (SOURCE #531660)
5.447 BEARING, Differential Drive Pinion Front					
56-62	Y	457270	1	29 25	BEARING.
63-79	Y	7450984	1	N.L.	BEARING (HY A-200248-Z)
80-82	Y	9436127	1	24 15	BEARING, OTR PRELOAD
5.453 SPACER, Differential Drive Pinion Front and Center Bearing					
56-62	Y	3705722	1	1 40	SPACER (TAPERED 2 1/2 O.L.)
63-66	Y	3817864	1	1 05	SPACER (1 5/16 I.D.)
66-79	Y	3954483	1	2 00	SPACER.
5.460 SHIM KIT, Differential Rear Pinion Bearing					
57-62	Y	3893583	AR	4 60	SHIM KIT (033-037)
57-62	Y	3893584	AR	4 60	SHIM KIT (021-026)
57-62	Y	3893585	AR	4 60	SHIM KIT (027-032)
63-79	Y	3893582	AR	4 60	SHIM KIT (021-026)
63-79	Y	3893587	AR	5 55	SHIM KIT (027-032)
65-79	Y	3893588	AR	5 55	SHIM KIT (033-037)
80-82	Y	14024330	AR	5 55	SHIM KIT (PRELOAD & ADJ.) (DANA 706756X)
5.469 SEAL, Differential Drive Pinion					
56-61	Y	3865358	1	6 30	SEAL, FLANGE OIL (3 5/32 O.D.)
62-64	Y	464140	1	7 75	SEAL, FLANGE OIL
65-79	Y	3924031	1	N.L.	SEAL, FLANGE OIL
80-82	Y	3979618	1	N.L.	SEAL, FLANGE OIL
5.484 BEARING-CONE-SLINGER, Differential Drive Pinion					
53-55	Y	125630	1	53 20	BEARING (HYATT OR 1506)
56-62	Y	7450371	1	N.L.	BEARING (HYATT HM89449-HM89410)
63-79	Y	7451155	1	N.L.	BEARING.
80-82	Y	9417781	1	40 25	BEARING, PNG INR
75-79	Y	9413169	AR	26 75	CONE.
80-82	Y	14024357	1	38	SLINGER, OUTER (DANA 39587)
5.500 BRACKET-CUSHION-GUSSET-REINFORCEMENT, Differential Carrier Mounting					
63-68	Y (EXC. T.H.)	3868799	1	11 75	BRACKET.
68	Y W/T.H.	3921657	1	9 25	BRACKET.
69-79	Y	3921657	1	9 25	BRACKET.
80-82	Y	477462	1	11 75	BRACKET, FRM FRT
63-79	Y	3788637	1	2 20	CUSHION, FRT UPR (9 023)
63-79	Y	3795333	1	2 70	CUSHION, FRT LWR (9 023)
75-81	Y	348064	RH	21 80	GUSSET, FRT
80-82	Y	477471	LH	22 00	GUSSET, FRT CR/MBR
80-82	Y	475379	RH	8 25	REINFORCEMENT, FRT CR/MBR
80-82	Y	475380	RH	8 25	REINFORCEMENT, FRT CR/MBR
5.505 CARRIER, Differential, with Cap					
NOTE 1: DIFFERENTIAL (POSITRACTION) (COMPLETE WITH RING GEAR AND PINION)					
63-79	Y	3917861	1	183 00	CARRIER, W/CAP (INCOMPLETE)
80-82	Y	14024326	1	154 00	CARRIER, W/CAP (DANA 70986X)
80	Y W/A.T., 3.07R	14020911	1	708 00	CARRIER (DANA) (NOTE 1)
80	Y W/M.T., 3.07F	14020912	1	708 00	CARRIER (DANA) (NOTE 1)
81	Y W/A.T., 2.87R	14030481	1	738 00	CARRIER, (NOTE 1)
81	Y W/A.T., 2.72R	14035676	1	869 00	CARRIER (DANA)
81	Y W/M.T., 2.72R	14030482	1	738 00	CARRIER, (NOTE 1)
82	Y	14035693	1	968 00	CARRIER.
82	Y W/2.87R	14046995	1	940 00	CARRIER.
5.506 BOLT-SCREW, Differential Carrier					
63-79	Y	3818764	4	57	BOLT.
80-82	Y	14024366	1	2 25	SCREW, BRG CAP
5.508 GASKET, Axle Housing to Differential Carrier					
56-62	Y	3769870	1	1 35	GASKET (9 13/16 X 1 13/8)
63-79	Y	3818793	1	82	GASKET (9 5/64 X 10)
5.510 CASE, Differential (Ring Gear and Pinion)					
NOTE: DIFFERENTIAL CASE HALVES ARE NOT SOLD SEPARATELY					
63-80	Y W/P/TRAC., 2.73, 3.08, 3.36, 3.55, 3.70R	3997926	1	144 00	CASE (EATON 32297)
63-77	Y W/P/TRAC., 4.11, 4.56R	3997928	1	144 00	CASE (EATON 32298)

BRAKES-REAR AXLE-PROPELLER SHAFT-WHEELS

5.510 CASE, Differential (Ring Gear and Pinion) (Con't)

63-90	Y W/2.73, 3.08, 3.36, 3.55, 3.70R	3997925	1	326.00	CASE,
63-77	Y W/4.11, 4.58R	3997927	1	326.00	CASE,
74-78	Y (EXC 4.11R)	3938932	1	223.00	CASE,
80-82	Y	14024328	1	297.00	CASE (DANA-70988X)

5.511 GUIDE-PLATE-PLATE KIT-RETAINER-SHIM-SPRING, Differential Clutch

NOTE 1: CONSISTS OFF 10 EARED DISCS, 8 SPLINED DISCS, AND 4 GUIDES

NOTE 2: CONSISTS OF 6 PLATES AND 4 DISCS

NOTE 3: CONSISTS OF 8 DISCS AND 8 PLATES

64-80	Y	9778355	4	1.15	GUIDE, PLT (EATON ED 94228)
57-82	Y	534935	AR	3.30	PLATE (.095 THICK)
57-82	Y	377268	2	4.75	PLATE (BELLEVILLE TYPE) (INK STAMPED-.095)
64-80	Y	3889320	2	4.40	PLATE, PRESS (EATON ED 94153) (SPRING SEAT PLT)
60-82	Y	3885208	1	49.25	PLATE KIT, W/DISCS (DANA 22719X) (NOTE 2)
63-64	Y	3830740	1	38.25	PLATE KIT, W/DISCS (DANA 23230X) (NOTE 3)
64-80	Y	483722	1	49.50	PLATE KIT, W/DISCS (NOTE 1)
80-82	Y	14024331	1	50.00	PLATE KIT, W/DISCS (DANA 708352X)
80-82	Y	14024362	2	.35	RETAINER, DIFF CLU
64-79	Y	9778347	AR	2.30	SHIM (.005) (EATON 94128-5)
64-80	Y	9778348	AR	2.30	SHIM (.007) (EATON 94128-7)
64-80	Y	9778349	AR	2.30	SHIM (.010) (EATON ED 94128-10)
64-80	Y	3890899	2	1.20	SPRING, PRESS PLT (EATON ED-7976) (50 LB.)

5.517 SHAFT, Differential Side Pinion

53-70	Y (EXC. P/TRAC)	3935181	1	6.75	SHAFT,
64-80	Y W/P/TRAC.	9776894	1	7.30	SHAFT (3/4 O.D. X 4 51/64 O.L.) (EATON ED 6980)
80-82	Y	8259138	1	6.95	SHAFT,

5.518 SCREW, Pinion Shaft Lock

53-70	Y	472546	1	.78	SCREW (5/16-18)
64-80	Y W/P/TRAC.	3869319	1	.78	SCREW (EATON 93465)

5.526 GEAR, Differential Pinion

NOTE 1: WHEN USING 2370715 IN PLACE OF 3745313, 3744618 SIDE GEAR MUST ALSO BE USED.

53-70	Y (W/10 BOLT COVER) (EXC. P/TRAC)	3958108	2	16.50	GEAR (10 TEETH) (3.36, 3.70 RATIO)
57-82	Y W/P/TRAC.	2370715	4	6.20	GEAR, FRT (10 TEETH) (DAB OF ORANGE PAINT) (NOTE 1)
64	Y W/P/TRAC.	3854260	2	10.05	GEAR (DANA 32808)
65-73	Y W/P/TRAC.	9778343	2	19.95	GEAR (EATON ED-40335)
80-82	Y	3854260	2	10.05	GEAR (DANA 32808)

5.527 GEAR KIT, Differential Side

64-80	Y W/P/TRAC. (EXC. 4.11 RATIO)	6280528	1	93.00	GEAR KIT (EATON ED-24304)
-------	-------------------------------	---------	---	-------	---------------------------

5.528 GEAR, Differential Side

58-70	Y (EXC. P/TRAC)	3820638	2	28.00	GEAR (16 TEETH)
80-82	Y	14024360	2	53.50	GEAR (DANA 39594)

5.529 GEAR, Ring and Pinion

NOTE: PART NUMBERS IN PARENTHESES ARE STAMPED ON RING GEAR AND PINION RESPECTIVELY.
NOTE: AXLE RATIO IS EQUAL TO RING GEAR DIVIDED BY PINION. 37 DIVIDED BY 10 IS EQUAL TO 3.70 TO 1.

67-61	Y W/P.G.	3795479	1	266.00	GEAR (32-9T)(3783188-3783189)
57-82	Y W/3.70R	3748438	1	266.00	GEAR (37-10T)(3737957-3733910)
57-82	Y W/1.11R	3748434	1	266.00	GEAR (37-9T)(3733908-3733912)
62	Y W/3.36R	3748437	1	266.00	GEAR (37-11T)(3736508-3735390)
62	Y W/3.55R	3795479	1	266.00	GEAR (32-9T)(3783188-3783189)
63-64	Y W/3.70R	3822993	1	266.00	GEAR (37-10T)(3737957-3819081)
65-78	Y W/3.08R	3961418	1	266.00	GEAR (37-12T)(3756448-3885941)
65-79	Y W/3.36R	3961423	1	266.00	GEAR (37.11T)(3735390-3885942)
65-79	Y W/3.55R	3961420	1	266.00	GEAR (32-9T)(3783188-3885943)
65-79	Y W/3.70R	3961419	1	266.00	GEAR (37-10T)(3737957-3885944)
65-76	Y W/4.11R	3961421	1	266.00	GEAR (37-9T)(3733908-3885945)
68-71	Y W/P/TRAC. 2.73R	3961431	1	266.00	GEAR (41-15T)(3924344-3924343)
75-77	Y W/2.73R	3961431	1	266.00	GEAR (41-15T)(3924344-3924343)

BRAKES-REAR AXLE-PROPELLER SHAFT-WHEELS

5.529 GEAR , Ring and Pinion (Con't)

80	Y W/3.07R	14024327	1	266.00	GEAR (DANA 706755-4X)
81-82	Y W/2.72R	14095883	1	225.00	GEAR (DANA 706755-5X)
81-82	Y W/2.87R	14058938	1	273.00	GEAR (DANA 706755-9X)

5.531 BOLT, Ring Gear

63-79	Y	14003451	10	44	BOLT, HYP DR GEAR
80-81	Y	2402525	10	30	BOLT, GEAR TO CASE (DANA 30187)
82	Y	14045012	10	59	BOLT, GEAR TO CASE (RR AXLE) (DANA 40164)

5.536 BEARING , Differential Side

58	Y	7450385	2	34.00	BEARING (HYATT CK 11445 X)
57-82	Y	7450745	2	13.75	BEARING (HYATT A 159286 Z)
63-79	Y	455724	2	4.55	BEARING, U/JT YOKE
63-79	Y	7451140	2	N.L.	BEARING,
80-82	Y	7451090	1	N.L.	BEARING,

5.537 RING-SHIM KIT -SPACER , Differential Bearing Adjusting

NOTE 1: USED WITH MATCHING SHIM UNITS TO REPLACE PROD. CAST IRON TYPE ADJUSTMENT.

80-82	Y	6259139	1	37	RING, DIFF PNG SNAP
80-82	Y	14024381	2	60	RING, DIFF SI GEAR SNAP
63-79	Y	3851480	AR	3.60	SHIM KIT (.064-.068)
63-79	Y	3851481	AR	3.35	SHIM KIT (.070-.074)
63-79	Y	3851482	AR	3.80	SHIM KIT (.076-.080)
63-79	Y	3851483	AR	3.60	SHIM KIT (.082-.086)
63-79	Y	3851484	AR	3.80	SHIM KIT (.088-.094)
65-72	Y W/12 BOLT CVR	3876174	AR	3.60	SHIM KIT (.096-.100)
72-79	Y	3996611	AR	4.80	SHIM KIT (.048-.054)
72-79	Y	3996612	AR	5.90	SHIM KIT (.058-.062)
80-82	Y	14024329	1	3.80	SHIM KIT, DIFF BRG PRELOAD
67-79	Y	9780883	AR	2.20	SPACER (.170 THK) (NOTE 1)

5.542 WASHER, Differential Pinion Thrust

63-84	Y W/P/TRAC.	2346848	2	1.40	WASHER (49/64 I.D. X 1 21/32 O.D.) (DANA 13338-3)
64-85	Y (EXC. P/TRAC.)	3843286	2	1.30	WASHER (1 45/64 O.D. X 3/4 I.D.)
64-80	Y W/P/TRAC.	1385734	2	2.30	WASHER (EATON ED 93690)
66-89	Y (EXC. P/TRAC.)	3880143	2	.84	WASHER,
80-82	Y	2346848	2	1.40	WASHER (49/64 I.D. X 1 21/32 O.D.) (DANA 13338-3)

5.543 WASHER, Differential Side Gear Thrust

57-70	Y (EXC. P/TRAC.)	9789002	2	.85	WASHER,
-------	------------------	---------	---	-----	---------

5.544 SHAFT, Propeller

NOTE: SEE DEALER PRICE SCHEDULE FOR APPLICABLE PRICES.

68-70	Y W/A.T. (M40)	378231	1	228.00	SHAFT, W/U/JT
71-77	Y W/M.T. (M20, M21) , A.T. (M40)	378231	1	228.00	SHAFT, W/U/JT
76	Y W/A.T. (M38)	378231	1	228.00	SHAFT, W/U/JT
77-79	Y W/A.T. (M38)	378231	1	228.00	SHAFT, W/U/JT
78-79	Y W/M.T. (M20) (EXC. SP H/PER.)	378231	1	228.00	SHAFT, W/U/JT
78-79	Y W/M.T. (M21)	378231	1	228.00	SHAFT, W/U/JT
80	Y W/A.T. (MV4, M33)	14014803	1	228.00	SHAFT, W/U/JT
80-81	Y W/M.T. (M18)	14014806	1	228.00	SHAFT, W/U/JT
81	Y W/A.T. (MX3)	14014803	1	228.00	SHAFT, W/U/JT
82	Y W/A.T. (MD8)	14041083	1	185.00	SHAFT, W/U/JT

5.545 DEFLECTOR-FLANGE-YOKE, Propeller Shaft Pinion

NOTE 1: ON ALL MODELS FROM 1954 THRU 1964 IT IS NECESSARY TO REPLACE 3714788 DEFLECTOR WITH 3819415 DEFLECTOR.

63-79	Y	3819415	1	.97	DEFLECTOR, PINION FLANGE (NOTE 1)
57-64	Y	3741822	1	23.20	FLANGE, W/DFL
65-70	Y W/12 BOLT CVR	3878972	1	26.50	FLANGE, W/DFL (3 27/32 DIA) (1280 U/JT)
88-79	Y W/P/TRAC.	3879208	1	28.25	FLANGE, W/DFL(4 5/16 DIA.)
80-82	Y	14071738	1	23.71	YOKE, PROP SHF PNG

5.548 REPAIR KIT, Propeller Shaft Universal Joint

NOTE: NOS. FOLLOWING MODEL USAGES ARE FORGED ON THE FRT. AND REAR YOKES RESPECTIVELY.

NOTE 1: CONSISTS OF 1 TRUNNION ASM., 4 BEARINGS, 4 NUTS, 4 SNAP RINGS, 2 BOLTS, 4 WASHERS AND 4 SEALS.

BRAKES-REAR AXLE-PROPELLER SHAFT-WHEELS

5.548 REPAIR KIT, Propeller Shaft Universal Joint (Con't)

NOTE 2: CONSISTS OF 4 SNAP RINGS, 2 BOLTS, 4 WASHERS, 4 NUTS AND 1 U JOINT TRUNNION AND BEARING ASM.

NOTE 3: WHEN USING 386451 OR 1482672 ALSO USE 3721887 SNAP RING (5 586)

55-67	Y	386451	AR	N.L.	REPAIR KIT, W/GREASE FTG (ALL LOCATIONS) (FGER DIA615) (NOTE 1, 3)
63-80	Y	374246	4	N.L.	REPAIR KIT, RR WHL DRIVE SHAFT U/JT (NOTE 2)
68-70	Y (EXC. T.H. 400)	386451	AR	N.L.	REPAIR KIT, W/GREASE FTG (ALL LOCATIONS) (FGER DIA 615) (NOTE 1, 3)
68-70	Y W/T.H.	390133	2	27.50	REPAIR KIT (DANA 5-229X) (NOTE 3)
71-80	Y	390133	2	27.50	REPAIR KIT (DANA 5-229X); (NOTE 3)
75-79	Y	374246	1	N.L.	REPAIR KIT, UJT
78-79	Y W/M.T.	390133	1	27.50	REPAIR KIT, FRT PROP UJT (DANA 5-229X)
80-82	Y W/A.T.	386451	2	N.L.	REPAIR KIT, U/JT FRT AND RR, W/GREASE FTG (FGER DIA 615) (NOTE 1, 3)
80-81	Y W/A.T.	390133	1	27.50	REPAIR KIT, RR WHL DR SHF U/JT
80-81	Y W/M.T.	374246	1	N.L.	REPAIR KIT, RR DR UJT (DANA 5-282X) (5 548)
80-81	Y W/M.T.	386451	1	N.L.	REPAIR KIT, U/JT RR, W/GREASE FTG (DANA 5-252X)
80-81	Y W/M.T.	390133	1	27.50	REPAIR KIT, U/JT FRT (DANA 5-229X) (NOTE 3)
82	Y	374246	1	N.L.	REPAIR KIT, RR DR UJT (DANA 5-282X) (5.548)

5.555 YOKE, Universal Joint

63	Y W/MUNCIE 4-SPD.	3868728	1	95.00	YOKE, FRT U/JT
64	Y (EXC. P.G.)	3868728	1	95.00	YOKE, FRT U/JT
65-70	Y (EXC. T.H. 400)	3868728	1	95.00	YOKE, FRT U/JT
68-70	Y W/T.H. 400	3930827	1	72.25	YOKE, U/JT SLEEVE FRT
71-76	Y (EXC. T.H. 350)	3930827	1	72.25	YOKE, U/JT SLEEVE FRT
76-79	Y W/A.T. (M38)	376747	1	73.50	YOKE, PROP SHF SLIP(DANA 2-3-7091X)
77	Y W/M.T. (M20, M21) . A.T. (M40)	3930827	1	72.25	YOKE, U/JT SLEEVE FRT
78-79	Y W/M.T. (M20)	376747	1	73.50	YOKE, PROP SHF SLIP (DANA 2-3-7091X)
78-79	Y W/M.T. (M21)	3930827	1	72.25	YOKE, U/JT SLEEVE FRT
80	Y W/A.T. (MV4, M33)	14022136	1	87.00	YOKE, SLIP
80-81	Y W/M.T. (M18, M20, M21)	3930827	1	72.25	YOKE, U/JT SLEEVE FRT
81-82	Y W/A.T. (MX3)	14022136	1	87.00	YOKE, SLIP

5.560 RETAINER-SEAL, Propeller Shaft Universal Joint Trunnion

80-82	Y	14018211	8	1.15	RETAINER, PROP SHF(5.428)
63-64	Y	3708038	AR	.54	SEAL, YOKE BRG
64-79	Y (EXC A.T. M38)	3841923	AR	.54	SEAL, YOKE BRG (1 1/32 O.D. X 21/32 I.D.)

5.566 SPACER, Universal Joint Yoke Trunnion

68-70	Y W/T.H.	3856809	AR	.33	SPACER, TRUN BRG(DANA 230727-1)
71-79	Y (EXC A.T. M38)	3856809	AR	.33	SPACER, TRUN BRG(DANA 230727-1)

5.586 BOLT-RETAINER-RING-U BOLT, Universal Joint Bearing and Flange

66-70	Y W/T.H.	3887348	4	.38	BOLT, SHF AND U/JT STRAP (5/16-24 X 1 7/16)
71-82	Y	3887348	4	.38	BOLT, SHF AND U/JT STRAP (5/16-24 X 1 7/16)
80-82	Y	458300	16	.36	BOLT, PROP SHAFT U/JT(5/16-24 X 3/4)
80-82	Y	14023500	4	.64	BOLT, SHF AND U/JT TO AXLE(5.428)
80	Y W/A.T. (MV4, M33)	14023500	4	.64	BOLT, SHF AND U/JT STRAP(5.428)
81-82	Y W/A.T. (MX3)	14023500	4	.64	BOLT, SHF AND U/JT STRAP(5.428)
82	Y W/A.T. (MDB)	14023500	4	.64	BOLT, U/JT BRG STRAP(5.428)
68-80	Y	3882979	2	.33	RETAINER, PROP SHF
80-82	Y	363897	8	1.05	RETAINER, RR WHL DR U/JT SHF
53-62	Y	3721887	AR	.35	RING, FRT
65-79	Y (EXC A.T. M38)	3721887	AR	.35	RING (ALL LOCATIONS)(FINGER DIA .596)
74-79	Y	3721973	1	.40	RING, BRG SNAP
53-72	Y	1358938	AR	1.15	U BOLT, U/JT TRUN BRG (5/16-18) (W/FINGER DIA .596)
65-67	Y	2066840	1	.96	U BOLT, SHF AND U/JT (TRUNNION FINGER DIA OF 25/32)
71-80	Y	2066840	AR	.96	U BOLT, SHF AND U/JT (TRUNNION FINGER DIA OF 25/32)

BRAKES-REAR AXLE-PROPELLER SHAFT-WHEELS

5.595 NUT-WASHER, Propeller Shaft Pinion Flange

55-79	Y	3752901	AR	1.75	NUT (7/8-16)
56-79	Y	3714792	1	1.85	WASHER, FLANGE (57/64 I.D. X 1 7/16 O.D. X 1/4 THK.)

5.803 WHEEL, Front or Rear

NOTE: ONE PIECE RIMS; 5.25" OR LARGER RIMS HAVE A 15-DEGREE TAPER BEAD SEAT, AND ARE USED FOR TUBELESS TIRES. SMALLER RIMS HAVE 5-DEGREE TAPER BEAD SEAT, AND ARE USED FOR BOTH TUBELESS AND TUBE TIRES.

54-82	Y	3834956	AR	57.75	WHEEL (15 X 5K)(RIVETED)
57-84	Y (EXC KNOCK OFF WHLS)	3838080	AR	53.50	WHEEL (15 X 5.5K)(RIVETED)
85-88	Y (EXC KNOCK OFF WHLS)	3869156	AR	73.00	WHEEL (15 X 5.5K)(WELDED)
67	Y W/DISC BRAKES (EXC ALUM WHL)	3988773	AR	75.75	WHEEL (15 X 6JK)(WELDED)
69-82	Y (EXC ALUM WHL)	327708	AR	77.75	WHEEL (15 X 8 00JJ) (STAMPED AZ) (WELDED)
76-78	Y W/ ALUM WHL (YJB)	14009704	4	189.00	WHEEL (15 X 8 00)
78-82	Y	472545	AR	77.75	WHEEL SPA(15 X 5 00JJ)(STAMPED YA)
78	Y 1/278	14002370	4	189.00	WHEEL (15 X 8 00)(ALUM)
79	Y W/ALUM WHL (N90)	14009704	AR	189.00	WHEEL (15 X 8 00)
80-81	Y W/ALUM WHL (N90)	14022120	AR	189.00	WHEEL (15 X 8 00)
82	YC7	14050844	AR	189.00	WHEEL (15 X 8) (STAMPED BH)
82	Y87 W/ALUM WHL (N90)	14022120	AR	189.00	WHEEL (15 X 8)

5.805 WEIGHT, Wheel Balance

NOTE 1: FOR USE ON CURVED RIM FLANGE.
NOTE 2: SIZE CAST ON WEIGHT.

58-84	Y	345972	AR	64	WEIGHT (1 OZ.)
58-82	Y	9421502	AR	58	WEIGHT (1/2 OZ.) (NOTE 1,2)
58-82	Y	9421504	AR	58	WEIGHT (1 OZ.) (NOTE 1,2)
58-82	Y	9421508	AR	58	WEIGHT (1 1/2 OZ.) (NOTE 1,2)
58-82	Y	9421508	AR	65	WEIGHT (2 OZ.) (NOTE 1,2)
58-82	Y	9421510	AR	65	WEIGHT (2 1/2 OZ.) (NOTE 1,2)
58-82	Y	9421512	AR	87	WEIGHT (3 OZ.) (NOTE 1,2)
72-78	Y	9421501	AR	56	WEIGHT (1/4 OZ.) (NOTE 2)
73-75	Y W/CAST ALUM WHL	464993	AR	42	WEIGHT (1 1/2 OZ.)
73-75	Y W/CAST ALUM WHL	464994	AR	55	WEIGHT (2 OZ.)
73-74	Y W/CAST ALUM WHL	464996	AR	62	WEIGHT (2 1/2 OZ.)
73-76	Y W/CAST ALUM WHL	464996	AR	79	WEIGHT (3 OZ.)
73-75	Y W/CAST ALUM WHL	467130	AR	32	WEIGHT (1/2 OZ.)
73-75	Y W/CAST ALUM WHL	467131	AR	40	WEIGHT (1 OZ.)
76-77	Y	464996	AR	62	WEIGHT (2 1/2 OZ.)
76-77	Y	464996	AR	79	WEIGHT (3 OZ.)
77-82	Y	459769	AR	65	WEIGHT (2.5 OZ.)
77-82	Y W/ALUM WHL	459770	AR	65	WEIGHT (2 OZ.)
77-82	Y W/ALUM WHL	459771	AR	58	WEIGHT (1.5 OZ.)
77-82	Y W/ALUM WHL	459772	AR	58	WEIGHT (1 OZ.)
77-82	Y W/ALUM WHL	459773	AR	58	WEIGHT (1/2 OZ.)

5.806 FLANGE-SPINDLE-YOKE, Rear Wheel

63-79	Y	3839830	2	57.50	FLANGE, SPDL
63-64	Y	3820239	2	145.00	SPINDLE, W/BOLTS
65	Y (EXC DISC BRK)	3820239	2	145.00	SPINDLE, W/BOLTS
65	Y W/DISC BRK	3872476	2	145.00	SPINDLE, W/BOLTS
66-82	Y	3872476	2	145.00	SPINDLE, W/BOLTS
80-81	Y W/A.T.	14018209	2	74.25	YOKE, SPDL
80-81	Y W/M.T.	14018210	1	74.25	YOKE, SPDL
82	Y W/A.T.	14018210	1	74.25	YOKE, SPDL

5.809 DISC-DRUM-HUB, Front and Rear Wheel Brake

85-82	Y	3996663	2	162.00	DISC, RR BRK(FIN)
53-62	Y (EXC METALLIC LININGS, H.D. BRK)	3985944	2	66.25	DRUM, FRT
53-65	Y (EXC METALLIC LININGS, H.D. BRK, SP/PER)	3985944	2	66.25	DRUM, RR
63-65	Y (EXC METALLIC LININGS)	3872326	2	70.00	DRUM, FRT
85-68	Y	3998278	2	179.00	HUB, W/DISC,FRT
69-82	Y	3991024	2	180.00	HUB, W/DISC,FRT

5.810 SPRING, Brake Drum

63-62	Y (EXC H.D. BRK/SUSP)	3694290	AR	3.30	SPRING (32 3/4 FREE LENGTH)
63-67	Y (EXC SP H/PER)	3694290	AR	3.30	SPRING (32 3/4 FREE LENGTH)

5.812 BOLT, Hub or Drum (Front and Rear Wheel)

53-69	Y	3829376	AR	1.25	BOLT, RR (7/16-20 X 1 3/8)
53-60	Y (1ST DES)	3829376	12	1.25	BOLT, FRT (7/16-20 X 1 3/8)

BRAKES-REAR AXLE-PROPELLER SHAFT-WHEELS

5.812 BOLT, Hub or Drum (Front and Rear Wheel) (Con't)					
80-82	Y	3910340	AR	59	BOLT, RR (7/16-20 X 1 3/4)
80-85	Y (2ND DES)	3910340	AR	59	BOLT, FRT (7/16-20 X 1 3/4)
85-86	Y W/DISC BRK	3910340	AR	59	BOLT, FRT (7/16-20 X 1 3/4)
87-82	Y	3910340	AR	59	BOLT, FRT (7/16-20 X 1 3/4)
5.813 NUT, Hub Front and Rear					
53-82	Y	358501	AR	57	NUT, WHL HUB BOLT (7/16-20)
83-86	Y W/KNOCK OFF WHLS	3852654	AR	2.30	NUT (7/16-20)
73-75	Y W/CAST ALUM WHL	329383	20	4.90	NUT (7/16-20)
76-82	Y W/CAST ALUM WHL	371874	20	3.85	NUT (7/16-20)
5.815 SHIELD, Rear Wheel Bearing Dust					
83-82	Y	3820238	2	1.25	SHIELD, INR
5.816 RING-SPACER, Rear Axle Shaft Bearing					
56-82	Y (EXC P/TRAC)	9778340	2	2.65	RING, RET (1 3/8 I.D. X 1 31/32 O.D.)
83-82	Y	3820224	2	5.30	SPACER, RR WHL BRG
5.822 O RING-SEAL-SEAL KIT, Rear Axle Shaft Bearing or Hub					
<i>NOTE 1: CONSISTS OF AN O RING AND SEAL ASM., W/RETAINER.</i>					
56	Y	3707389	2	1.15	O RING, RR WHL BRG (2 5/8 I.D. X .103)
80-82	Y (EXC P/TRAC)	3772034	2	1.15	O RING (2 7/8 I.D. X .070)
83-82	Y	3794002	2	4.25	SEAL, RR WHL INR BRG
83-82	Y	3794006	2	4.25	SEAL, RR WHL OTR BRG
80-82	Y (EXC. P/TRAC.)	3772999	2	6.90	SEAL KIT, RR WHL BALL BRG (NOTE 1)
5.829 NUT, Rear Axle					
53-82	Y	378137	2	70	NUT, RR WHL SPDL FLG(6.022)
83-84	Y	3891530	2	36	NUT, RR WHL SPDL SUPT STRUT ADJ CAM (1/2-20) (5.383)
5.830 WASHER, Rear Axle					
83-82	Y	3839832	2	1.20	WASHER, RR WHL SPDL FLG (7/32 THK.)
5.855 BEARING-BEARING KIT-SHIM, Rear Wheel					
83-82	Y	7460700	2	N.L.	BEARING, OTR (6.311)
83-82	Y	7461202	2	N.L.	BEARING, INR (HYATT A-200233-Z) (5. 447)
58-82	Y	907294	2	50.85	BEARING KIT, W/RET RING (NDRW 607BRSY1Z)
83-82	Y	3820225	1	84	SHIM, BRG (.145)
83-82	Y	3820226	1	84	SHIM, BRG (.139)
83-82	Y	3820227	1	84	SHIM, BRG (.133)
83-82	Y	3820228	1	84	SHIM, BRG (.127)
83-82	Y	3820229	1	84	SHIM, BRG (.121)
83-82	Y	3820230	1	84	SHIM, BRG (.115)
83-82	Y	3820231	1	84	SHIM, BRG (.109)
83-82	Y	3820232	1	84	SHIM, BRG (.103)
83-82	Y	3820233	1	64	SHIM, BRG (.097)
5.858 CAP-COVER, Wheel Trim					
<i>NOTE: FOR FRONT CAPS SEE GROUP 6.330.</i>					
67	Y W/DISC BRK (EXC ALUM)	3901712	4	10.80	CAP, HUB (2-PIECE)
68-82	Y W/RALLY WHL	3925801	4	27.00	CAP, W/ORNAMENT,HUB
73-77	Y W/ALUM WHL (YJ8)	371680	4	8.80	CAP, HUB (CROSSED FLAGS)
78	Y W/ALUM WHL (YJ8) (EXC Z78)	371680	4	8.80	CAP, HUB (CROSSED FLAGS)
78	Y W/ALUM WHL (YJ8), Z78	474312	4	8.55	CAP, HUB
79	Y W/ALUM WHL (N90)	371680	4	8.80	CAP, HUB (CROSSED FLAGS)
80-82	Y W/ALUM WHL (N90)	474312	4	8.55	CAP, HUB
82	YY07	14035679	4	33.25	CAP, HUB
53-55	Y	3716754	4	81.50	COVER, W/SIMULATED SPINNER
86	Y	3984518	4	44.00	COVER, W/ORNAMENT
87	Y W/15 X 6L ALUM WHL	3910731	4	50.50	COVER,
88-74	Y	3923630	4	115.00	COVER (15" WHL)(CONVEX ORNAMENT)
5.871 EMBLEM-HUB-INSERT-ORNAMENT -RETAINFR-RING-SCREW, Wheel Cover Appearance					
64-86	Y W/KNOCK OFF WHLS	3853825	4	30.50	EMBLEM, WHL LK NUT
78	Y W/CAST ALUM WHL, Z78	331432	4	1.95	EMBLEM, HUB CAP
80-81	Y W/ALUM WHL (N90)	14018398	4	5.95	EMBLEM, HUB CAP
88-74	Y	3923631	4	31.50	HUB, WHL CVR (CONVEX EMBLEM)
82	Y07	14041923	4	17.50	INSERT, HUB CAP
82	Y87 W/ALUM WHL (N90)	14055921	4	5.50	INSERT, HUB CAP

BRAKES-REAR AXLE-PROPELLER SHAFT-WHEELS

**5.871 EMBLEM-HUB-INSERT-ORNAMENT -RETAINER-RING-SCREW,
Wheel Cover Appearance (Con't)**

58-82	Y	3964510	4	28.00	ORNAMENT (CROSS-FLAG) (CHEV CORVETTE)
63	Y (EXC KNOCK-OFF WHLS)	3964515	4	14.50	ORNAMENT,
65	Y (EXC KNOCK-OFF WHLS)	3964520	4	27.25	ORNAMENT,
66	Y (EXC KNOCK-OFF WHLS)	3964515	4	14.50	ORNAMENT,
67	Y W/DISC BRK (EXC ALUM)	3908762	4	7.65	ORNAMENT,
74-75	Y	3925805	4	10.05	ORNAMENT,
76-80	Y (EXC CAST ALUM WHL YJ8, ALUM WHL N90)	3925805	4	10.05	ORNAMENT,
81-82	Y (EXC ALUM WHL N90)	3925805	4	10.05	ORNAMENT,
67	Y W/15 X 6L ALUM WHL	3910734	5	14.80	RETAINER,
67	Y W/15 X 6JK WHL	9796696	4	27.25	RING, WHL TR
68-81	Y W/RALLY WHL (EXC ALUM WHL)	3923626	4	23.75	RING, WHL TR
82	Y (EXC ALUM WHL N90)	3923626	4	23.75	RING, WHL TR
53-82	Y	9431717	AR	33	SCREW, WHL CVR ORNAMENT OR HUB (8977)
87-82	Y W/DISC BRK (EXC ALUM WHL)	3824195	16	35	SCREW, WHL CVR ORNAMENT (8-18 X 9/16) (HEX HD-SPHERICAL FACE)

5.675 CAP-EXTENSION-VALVE, Tire Valve And Cover Lock

82-78	Y	3171598	AR	49	CAP, VLV
57-82	Y	9422872	AR	88	EXTENSION, TIRE VLV(1 1/2 O.L.)
58-82	Y	9422212	AR	81	EXTENSION, TIRE VLV(1 11/32 O.L.)
68-82	Y	9417745	4	70	EXTENSION, TUBELESS TIRE VLV (7/8 O.L.)
57-81	Y	274083	AR	1.20	VALVE, TIRE(453 HOLE, 1 1/4 LONG)
74-82	Y	9436977	AR	2.20	VALVE, TIRE(453 HOLE, 1 1/2 LONG)
82	Y	274288	AR	2.50	VALVE, TIRE(453 HOLE, 1 1/4 LONG)

MICROFICHE INDEX
GROUPS 4.000 THRU 5.000
FICHE 3 OF 6

<u>GROUP DESCRIPTION</u>	<u>STARTING GRID LOCATION</u>	
	<u>FARTS ILLUSTRATIONS</u>	
- INTRODUCTION	A-6	I-2
- GENERAL INFORMATION	A-2	I-2
- ALPHABETICAL INDEX	C-11	N.A.
- INDEX FOR ADDITIONAL INFORMATION	A-5	N.A.
4.000 TRANSMISSION - BRAKES	E-2	I-6
5.000 BRAKES - REAR AXLE - PROPELLER SHAFT - WHEELS .	H-7	L-19
- OUT OF FICHE CALLS	N.A.	N-16

1-1



CHEVROLET

INTRODUCTION

This **ILLUSTRATION CATALOG** has been compiled to assist in the location and identification of service parts.

The illustrations herein may not always show the exact part required, however, for identification purposes the group number or noun name can be readily located from a view covering a typical illustration.

The layout of the information contained in this publication is such that the illustrations can be removed for combining with the Parts Listing Catalog Sections by groups. The "single" catalog concept can be maintained using this system, or the separate Illustration Catalog and Parts Listings Catalogs can be used.

During each calendar year complete reprints of the catalog are published as part of the Catalog Revision Service. New or revised illustrations are mailed to dealers subscribing to the revision service as they are scheduled.

All specifications and illustrations contained in this publication are based on the latest product information available at the time of printing. Warehousing and Distribution Division reserves the right to make changes at any time without notice in data, specifications, material and models.

Due to Engineering and or part number changes, all part number application herein should be verified by referring to the Parts Catalog.



ILLUSTRATION CATALOG GROUP FORMAT



GROUP	CORVETTE ILLUSTRATION CONTENTS
0.000	ENGINES — ENGINE TRANSMISSION MOUNTING — CLUTCH ASSEMBLIES — CLUTCH LINKAGE
1.000	RADIATOR MOUNTING — RADIATOR GRILLES — ENGINE OIL PUMPS — PULLEYS & BELTS
2.000	STARTER MOTORS — ALTERNATORS — DISTRIBUTORS — ALTERNATOR MOUNTINGS — ANTI THEFT SYSTEMS — CHASSIS WIRING — FRONT LAMPS — REAR LAMPS
3.000	FUEL SUPPLY SYSTEMS — FUEL INJECTION SYSTEMS — ACCELERATOR CONTROLS — CRUISE CONTROLS — AIR CLEANER & EMISSION PARTS — CARBURETION — EXHAUST SYSTEMS
4.000	MANUAL TRANSMISSIONS — LINKAGE — AUTOMATIC TRANSMISSIONS — LINKAGE — BRAKES — PARKING BRAKES — BRAKE PEDAL — MASTER CYLINDER — VACUUM OR BOOSTER CYLINDERS — BRAKE CALIPERS — WHEEL CYLINDERS — BRAKE LINES — ANTI-SKID DEVICES
5.000	FRONT/REAR DRUM BRAKE — REAR AXLES — LOCKING DIFFERENTIAL — WHEEL COVERS
6.000	FRONT SUSPENSION — STEERING WHEEL AND HORN PARTS — STEERING COLUMN, LINKAGE AND RELATED PARTS — STEERING COLUMN (EXPLODED) — STEERING PUMP — STEERING PUMP MOUNTINGS
7.000	FRAME COMPONENTS — REAR SUSPENSIONS — FRONT BUMPER — REAR BUMPER
8.000	FRONT END SHEET METAL — WHEEL OPENING COVERS — BASE HEATER SYSTEMS — HEATER COMPONENTS OR ASSEMBLIES
9.000	BODY MOUNTING — A. C. COMPRESSORS — A. C. REFRIGERATION COMPONENTS — A. C. COMPRESSOR MOUNTING (A. C. SYSTEMS-BY CARLINE*) — A. C. REFRIGERATION SYSTEM* — A. C. AIR DISTRIBUTION SYSTEM* — A. C. CONTROLS* — A. C. ELECTRICAL* — A. C. HEATER & DEFROSTER ASM/A. C. MODULE/EVAPORATOR & BLOWER ASM. — ANTENNAS, RADIOS — INSTRUMENT PANEL CLUSTERS — DEFOGGER SYSTEMS — INTERIOR VENTILATION SYSTEMS (ALSO SEE GRP. 10.000 INSTR. PNL.)



ILLUSTRATION CATALOG GROUP FORMAT



GROUP

CORVETTE ILLUSTRATION CONTENTS

-
- 10.000 EXTERIOR VIEWS — WINDSHIELD WIPER & WASHERS — WINDSHIELD WIPER MOTOR & PUMPS — MIRRORS — INSTRUMENT PANEL & HARDWARE — CONSOLES, SEAT SEPARATORS — DOOR HARDWARE: — FRONT DOORS — REAR DOORS — BODY WEATHERSTRIPS
-
- 11.000 QUARTER WINDOW HARDWARE — SEAT BACK LOCKS — AUXILIARY TOP
-
- 12.000 BODY MOLDINGS/STRIPES/DECALS — BODY SHEET METAL — REAR COMPARTMENT TRIM & HARDWARE (HATCHBACK TYPES) — ROOF OPTIONS - & SPECIAL TOPS — ROOF TOP CARRIERS - RACKS
-
- 13.000 BODY WIRING — CONVERTIBLE TRIM
-
- 14.000 & SEAT STYLES — INTERIOR TRIM — BELT & AIR CUSHION RESTRAINT
15.000 SYSTEMS — REAR COMPARTMENT TRIMS (ALSO SEE 12 GRP.)
-

NOTE — THIS IS A GENERAL OUTLINE OF THE CURRENT ILLUSTRATION SEQUENCE.

ILLUS

4



CHEVROLET CHASSIS GROUP 4.000

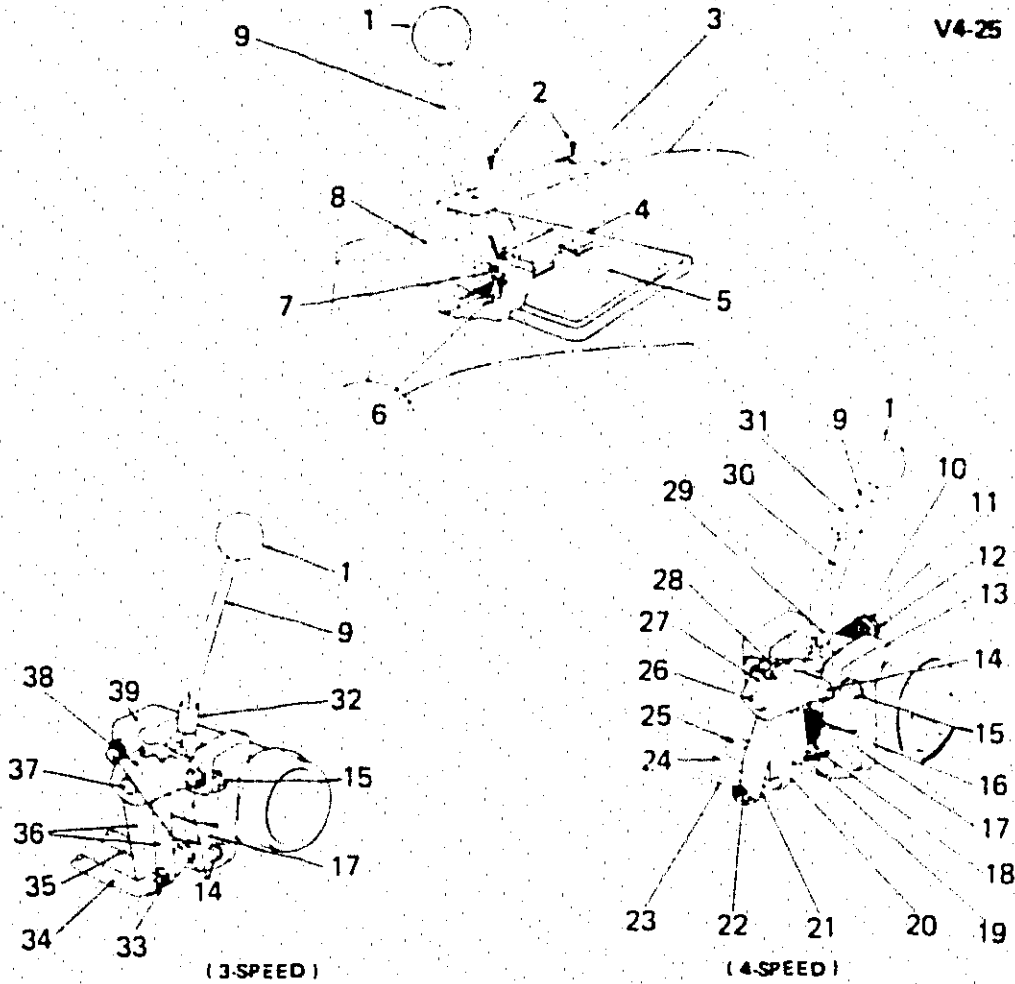


ILLUSTRATION INDEX

TITLE	GRID	TITLE	GRID
1957-63 Y 3-4 SPEED TRANSMISSION CONTROLS	I 9	1968-77 A T PARKING LOCK & RANGE SELECTOR PARTS (M40)	J28
1955-70 3-SPD TRANSMISSION	I 10	1968-82 Y T H SHIFT CONTROLS	K2
1974-81 BORG WARNER 4-SPEED MANUAL TRANSMISSION	I 12	1953-57 POWERGLIDE TRANSMISSION-CONVERTER SECTION	K3
1963-74 MUNCIE 4 SPEED MANUAL TRANSMISSION	I 14	1953-57 POWERGLIDE TRANSMISSION-HI LO CLUTCH SECTION	K4
1965-68 Y 3-SPEED SHIFT LEVER	I 16	1953-62 POWERGLIDE TRANSMISSION-HOUSING SECTION	K5
1964-67 Y 4 SPEED SHIFT LEVER	I 17	1953-57 POWERGLIDE TRANSMISSION-REVERSE AND PLANETARY SECTION	K6
1968-81 Y MANUAL TRANSMISSION CONTROL LEVER	I 18	1953-62 POWERGLIDE TRANSMISSION CASE SECTION	K7
1969-72 Y INTERLOCK LINKAGE, CONTROL LEVER & T.C.S. SWITCH	I 19	1953-57 POWERGLIDE TRANSMISSION REAR PUMP SECTION	K8
1964-81 Y 4-SPEED M.T. SHIFT CONTROL	I 20	1953-57 POWERGLIDE TRANSMISSION-CONVERTER SECTION	K8
1982 Y THM700-R4 TRANSMISSION CASE & RELATED PARTS (MDB)	I 21	1953-57 POWERGLIDE TRANSMISSION-THROTTLE VALVE	K9
1982 Y THM700-R4 TRANSMISSION CLUTCH GEARS (MDB)(1ST DES)(*)	I 23	1953-57 POWERGLIDE TRANSMISSION-THROTTLE VALVE BODY	K9
1982 Y THM700-R4 TRANSMISSION CLUTCH GEARS (MDB)(2ND DES)(*)	I 25	1953-57 POWERGLIDE TRANSMISSION-GOVERNOR	K10
1982 Y THM700-R4 TRANSMISSION OIL PUMP (MDB)	I 27	1953-57 POWERGLIDE TRANSMISSION MAIN VALVE BODY	K10
1982 Y THM700-R4 TRANSMISSION CONTROL VALVE (MDB)	J2	1953-62 POWERGLIDE TRANSMISSION (EXC 327 ENGINE)	K11
1982 Y THM700-R4 TRANSMISSION PARK LOCK (MDB)	J4	1958-62 POWERGLIDE TRANSMISSION (EXC 327 ENGINE)	K12
1980-81 THM350C CASE-EXTENSION-ACCUMULATOR & GOVERNOR PARTS (MV4)	J5	1958-62 POWERGLIDE TRANSMISSION (EXC 327 ENGINE)	K13
1980-81 THM350C CONVERTER-PUMP-INTERMEDIATE & DIRECT CLUTCH PARTS (MV4)	J6	1962-67 ALUMINUM POWERGLIDE TRANSMISSION CASE	K14
1980-81 THM350C TRANSMISSION INTERNAL COMPONENTS (MV4)	J8	1962-67 ALUMINUM POWERGLIDE TRANSMISSION	K15
1980-91 THM350C TRANSMISSION VALVE BODY (MV4)	J10	1962-67 ALUMINUM POWERGLIDE TRANSMISSION GOVERNOR	K16
1980-31 THM350C PARKING LOCK & RANGE SELECTOR PARTS (MV4/MX2)	J12	1962-67 ALUMINUM POWERGLIDE TRANSMISSION CASE AND LINKAGE	K17
1976-80 TRANSMISSION CONVERTER PUMP, INTERMEDIATE & DIRECT CLUTCH PARTS (M33/M38)	J13	1962-67 ALUMINUM POWERGLIDE TRANSMISSION VALVE BODY	K19
1976-80 M38/M31/M33 TRANSMISSION INTERNAL COMPONENTS	J15	1965-67 Y POWERGLIDE CONTROL LEVER	K20
1976-80 TRANSMISSION CONTROL VALVE (M33/M38)	J17	1963-64 Y A.T. FLOOR SHIFT CONTROLS	K21
1976-80 TRANSMISSION CASE, EXTENSION, ACCUMULATOR & GOVERNOR PARTS (M33/M38)	J19	1963-67 Y A.T. CARBURETOR LINKAGE	K22
1976-80 TRANSMISSION PARKING LOCK & RANGE SELECTOR PARTS (M33/M38)	J20	1963-67 Y FLOOR CONSOLE	K23
1968-77 TRANSMISSION CASE, EXTENSION & PLANET CARRIER PARTS (M40)	J21	1965-82 Y PARKING BRAKE	K24
1968-77 TRANSMISSION PUMP, FORWARD & DIRECT CLUTCH & CENTER SUPPORT (M40)	J23	1963 Y PARKING BRAKE SYSTEM	K25
1968-77 TRANSMISSION FRONT & REAR SERVOS & CONTROL VALVE (M40)	J25	1964-66 Y PARKING BRAKE SYSTEM	K26
1968-77 TRANSMISSION CONTROL VALVE (M40)	J27	1968-82 Y PARKING BRAKE SYSTEM	K27
		1967 Y PARKING BRAKE LEVER	L2
		1967-82 Y PARKING BRAKE LEVER	L3
		1968-82 Y MASTER CYLINDER MOUNTING	L3
		1963-67 Y BRAKE PEDAL LINKAGE	L4
		1968-82 Y BRAKE PEDAL & MASTER CYLINDER MOUNTING	L5
		1964-66 BRAKE MASTER CYLINDER	L6
		1959-61 MORaine POWER BRAKE	L7
		1959-61 MORaine POWER BRAKE	L8
		1962-63 MORaine POWER BRAKE HOUSING	L9
		1962-63 MORaine POWER BRAKE PISTON	L10

TITLE	GRID	TITLE	GRID
1963-67 MORaine POWER BRAKE PISTON	L11	1977-82 MORaine BRAKE DUAL DIAPHRAGM	
1963-67 "Y" POWER BRAKE MASTER		VACUUM CYLINDER	L15
CYLINDER	L12	1965-82 BRAKE CALIPER	L16
1967-82 MORaine MASTER CYLINDER	L13	1963-82 "Y" BRAKE HOSES & PIPES	L17
1968-76 BENDIX POWER BRAKE CYLINDER	L14		

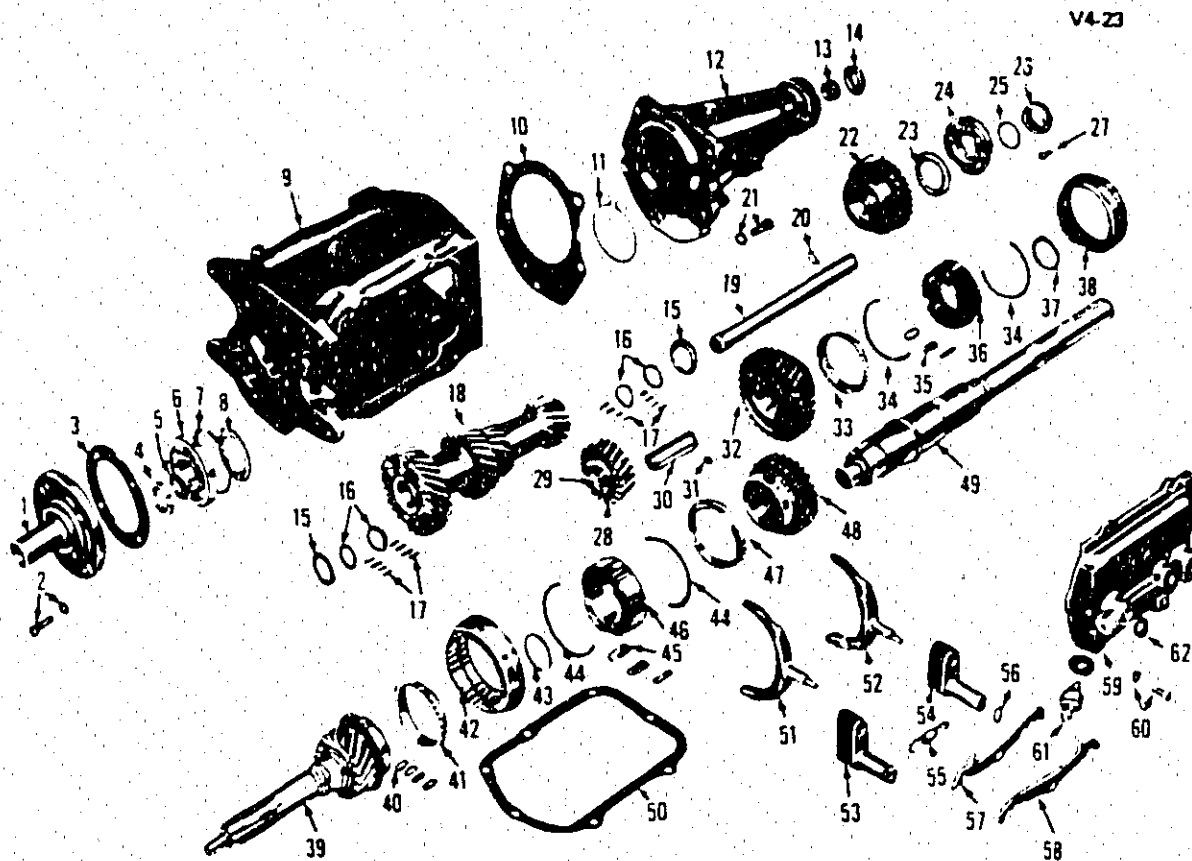
V4-25



V4-25

1957-63 'Y' 3-4 SPEED TRANSMISSION CONTROLS

E	9	1. KNOB	4.006	E	9	19. LEVER	4.030
		2. SCREW, Oval Hd Cr Rec (#4-40 x 1/4")	8.909	E	9	20. LEVER	4.030
E	9	3. PLATE	4.020	E	9	21. LEVER (4 Speed)	4.030
E	9	4. PLATE	4.017	E	9	22. CLIP	4.037
		5. TRAY ASM	12.030	E	9	23. ROD	4.035
		6. "J" NUT, (#10-32)	N.S.	E	9	24. ROD	4.035
		7. SCREW, Flat Sl Hd (#10-32 x 3/4")	N.S.	E	9	25. ROD	4.035
E	9	8. SEAL	4.015	E	9	26. SHAFT	4.025
E	9	9. LEVER	4.006	E	9	27. RETAINER	4.032
E	9	10. SPRING	4.027	E	9	28. PLATE	4.027
E	9	11. PLATE	4.027	E	9	29. RIVET (3/32" x 11/16")	N.S.
E	9	12. SLEEVE	4.027	E	9	30. HOUSING	4.010
E	9	13. BRACKET	4.010	E	9	31. HANDLE ASM	4.006
		14. BOLT (1/4"-20 x 1/2") Use W/B.931 L/Washer (1/4")	8.900	E	9	32. SLEEVE	4.008
		15. BOLT (3/8"-16 x 3/4") Use W/B.931 L/Washer (3/8")	8.900	E	9	33. CLIP	4.037
E	9	16. SPRING	4.006	E	9	34. ROD	4.035
E	9	17. PLATE	4.008	E	9	35. ROD	4.035
E	9	18. BRACKET	4.008	E	9	36. LEVER	4.030
				E	9	37. SHAFT	4.025
				E	9	38. RETAINER	4.032
				E	9	39. BRACKET	4.010



V4-23

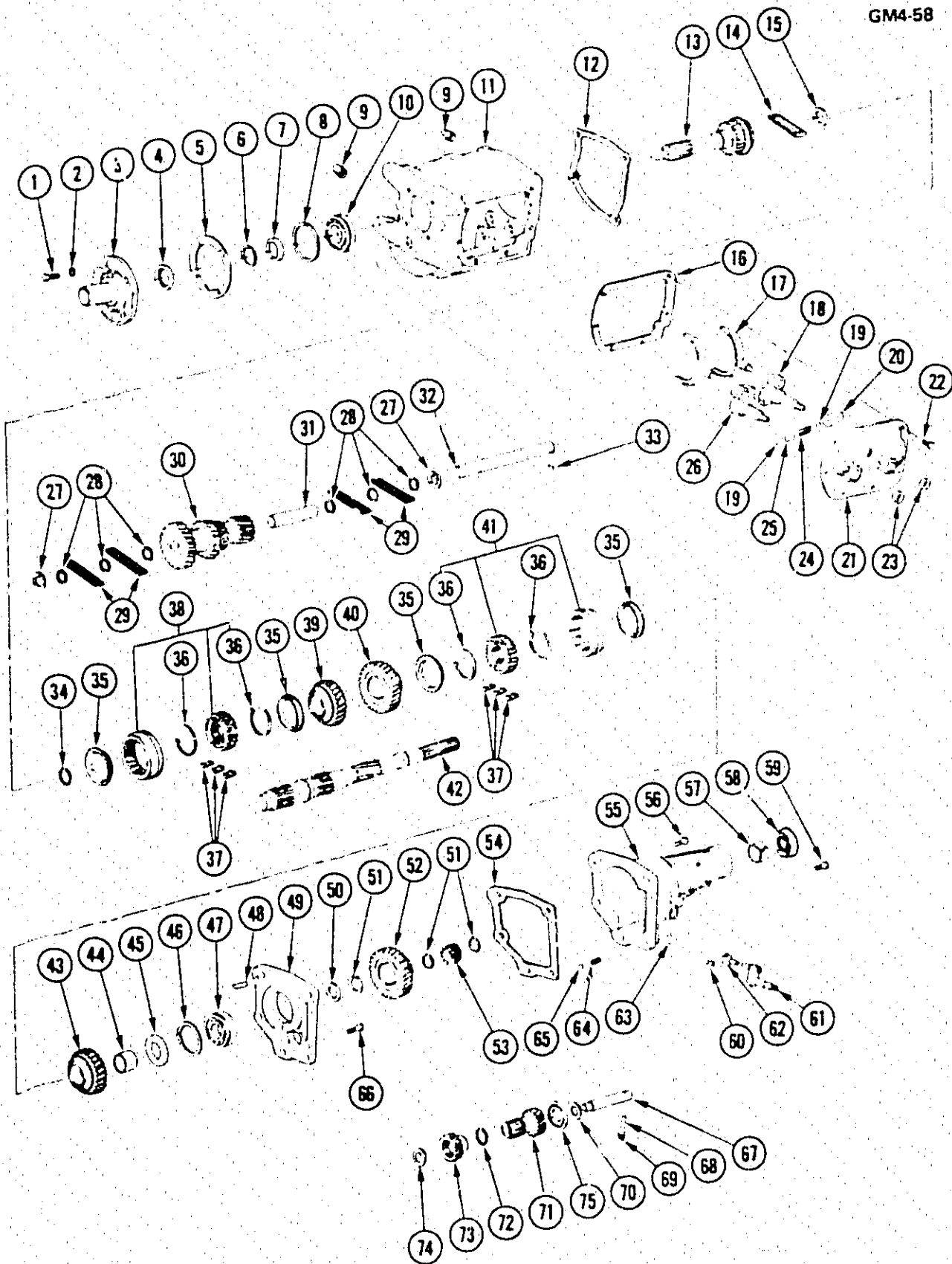
1955-70 3-SPD TRANSMISSION

V4-23

1955-70 3-SPD TRANSMISSION

	1. RETAINER, Main Drive Gear Brg	4.356		30. SHAFT, Reverse Idler Gear	4.433
	2. BOLT	8.900		31. KEY, Woodruff	8.960
	WASHER	8.929		32. GEAR, First Speed	4.417
	3. GASKET	4.358		33. RING, First Speed Blocking	4.383
E 9	4. SEAL	4.354		34. SPRING	4.413
	5. RING, Snap	4.378		35. KEYS	4.384
E 9	6. BEARING	4.355		36. Part of 4.380 Synchronizer Asm	N.S.
	7. RING	4.376		37. RING	4.384
	8. SLINGER, Oil	4.374		38. Part of 4.380 Synchronizer Asm	N.S.
E 9	9. CASE	4.103	E 9	39. GEAR, Main Drive	4.351
	10. GASKET	4.460	E 9	40. ROLLER	4.352
	11. RING	4.477		41. RING, Syn Blocking	4.383
E 9	12. EXTENSION	4.317		42. Part of 4.380 Synchronizer Asm	N.S.
E 9	13. BUSHING	4.319		43. RING	4.384
	14. SEAL	4.460		44. SPRING	4.413
	15. WASHER, Thrust	4.423		45. KEYS	4.384
	16. WASHER, Bearing	4.423		46. Part of 4.380 Synchronizer Asm	N.S.
	17. ROLLER, Bearing	4.422		47. RING, Syn Blocking	4.383
	18. GEAR ASM Counter	4.421		48. GEAR, 2nd Speed	4.395
	19. SHAFT, Counter Gear	4.428		49. SHAFT, Trans Main	4.403
	20. KEY	8.960	E 9	50. GASKET, Cover	4.109
	21. BOLT	8.900	E 9	51. FORK, 2nd & 3rd	4.303
	WASHER	8.929	E 9	52. FORK, 1st & Rev	4.303
	22. GEAR, Reverse	4.417	E 9	53. SHAFT, 2nd & 3rd	4.309
	23. WASHER, Thrust	4.419	E 9	54. SHAFT, 1st & Rev	4.309
	24. BEARING, Main Shaft	4.408	E 9	55. SPRING, Detent	4.311
	25. RING, Rear Bearing	4.412	E 9	56. SEAL, Shifter Shaft	4.313
E 9	26. GEAR, Speedometer	4.343	E 9	57. CAM, 1st & Rev Detent Cam	4.311
E 9	27. CLIP, Speedo Gear	4.345	E 9	58. CAM, 2nd & 3rd Detent Cam	4.311
	28. GEAR, Reverse Idler	4.430	E 9	59. COVER	4.105
	29. BUSHING, Part of 4.430 Gear	N.S.		60. BOLT	8.900
			E 9	61. TCS, Switch	4.075

GM4-58



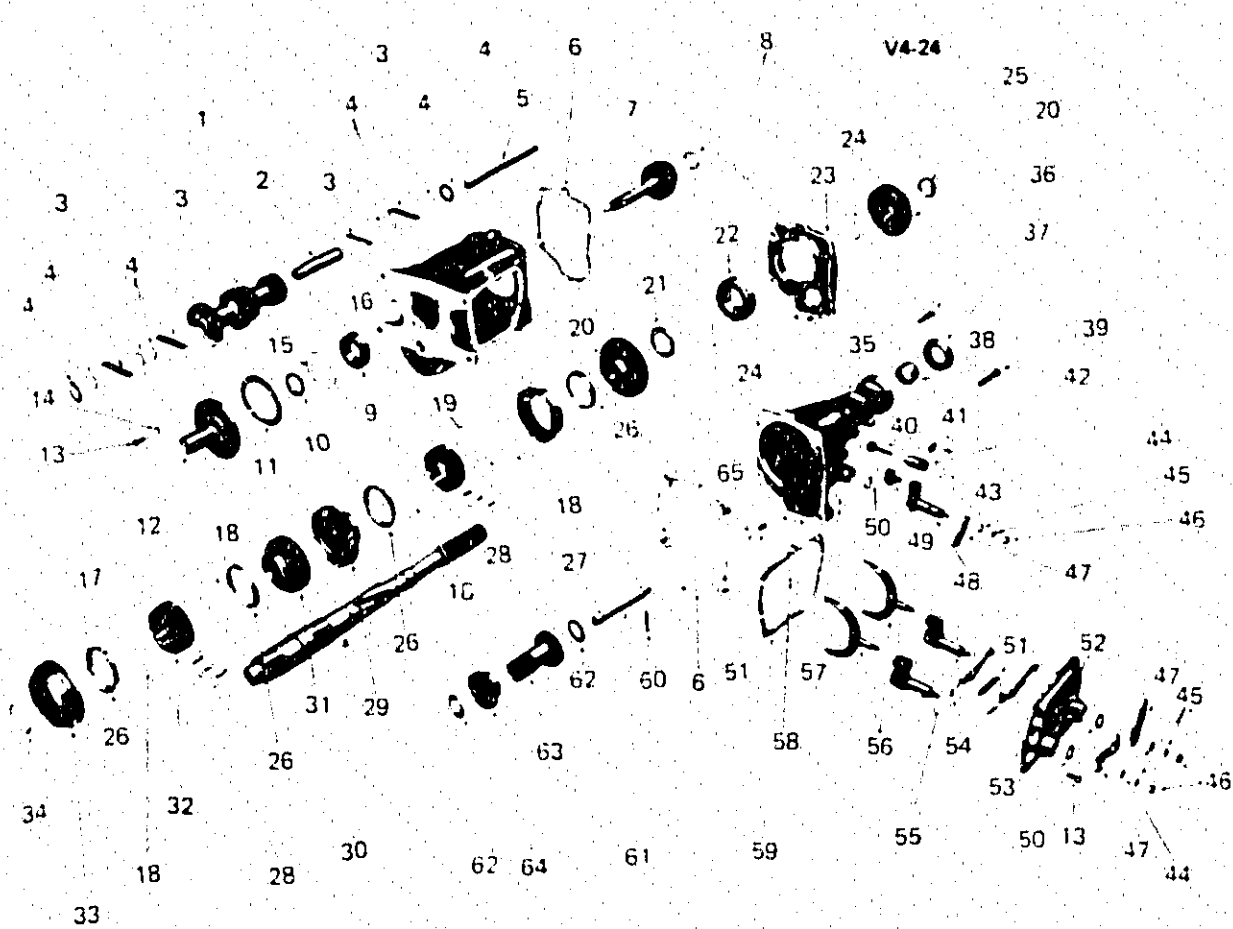
GM4-58

1974-81 BORG WARNER 4-SPEED MANUAL TRANSMISSION

GM4-58

1974-81 BORG WARNER 4-SPEED MANUAL TRANSMISSION

	1. BOLT (5/16"-18 x 7/8")	8.900	39. GEAR, 3rd Speed	4.415
	2. WASHER, Lock (5/16")	8.931	40. GEAR (25 Teeth)	4.395
	3. RETAINER, Trans Main Dr Gear Brg	4.356	41. SYNCHRONIZER ASM, 1st & 2nd (Incl #35,36,37)	4.380
E 9	4. SEAL, Trans Main Dr Gear Brg	4.354	42. SHAFT, Trans Main	4.403
	5. GASKET, Main Dr Gear Brg Ret	4.358	43. GEAR, 1st Speed	4.417
	6. RING, Snap	4.376	44. SLEEVE, 1st Speed	4.419
	7. RING, (1 3/8" ID x 1 13/16" OD x 1/16" Thick)	4.376	45. WASHER, Thrust 1st Speed	4.419
	8. RING, Snap (3 1/2" x 3 13/16" Thick)	4.412	46. RING, Snap	4.412
E 9	9. PLUG, Trans Drain (Magnetic)	4.105	47. BEARING, Trans Main Shaft Rr	4.408
E 9	10. BEARING (Single Row) W/Snap Rings	4.355	48. PIN (Part of #49)	N.S.
E 9	11. CASE, Trans	4.103	E 9 49. RETAINER ASM, W/Pin Rr Bearing	4.317
E 9	12. GASKET, Front	4.318	50. RING (1 3/8" x 1 13/16" x 1/16" Thick)	4.376
E 9	13. GEAR, Trans Main Dr Clutch	4.351	51. RING, Clutch Hub Retainer	4.384
E 9	14. ROLLER (5/8")	4.352	52. GEAR, Reverse	4.417
E 9	15. SPACER, Main Shaft Brg	4.353	E 9 53. GEAR, Speedo Drive	4.343
E 9	16. GASKET, Side (5 11/16" x 7 5/8")(9 Holes)	4.109	E 9 54. GASKET, Rr	4.318
E 9	17. FORK, Gearshift (1st,2nd,3rd & 4th)	4.303	E 9 55. EXTENSION ASM, Trans Rr Main Brg	4.317
E 9	18. SHAFT ASM (1st & 2nd)	4.302	56. BOLT (7/16"-14)	8.900
	19. BALLS (3/8")	8.899	E 9 57. BUSHING, Trans Exten	4.319
E 9	20. SLEEVE, Interlock	4.307	E 9 58. SEAL ASM, Ext	4.318
E 9	21. COVER, Trans	4.105	59. BOLT (7/16"-14 x 1 1/8")	8.900
	22. BOLT (5/16"-18 x 3/4")	8.900	E 9 60. SEAL, Shifter Shaft Oil	4.313
E 9	23. SEAL, Shifter Shaft All Locations	4.302	E 9 61. SHAFT ASM, Reverse Shifter	4.302
E 9	24. SPRING, Reverse Lever Poppet	4.311	E 9 62. FORK, Gearshift Reverse	4.303
E 9	25. PIN, Interlock (1/4" OD x 5/8" Lg)	4.307	E 9 63. PIN, Reverse Shifter Shaft Plate Lock	4.307
E 9	26. SHAFT ASM (3rd & 4th)	4.302	E 9 64. SPRING, Lever Poppet (13/16")	4.311
	27. WASHER, Counter Gear	4.423	65. BALL (11/32")	8.899
	28. WASHER, Countershaft Bearing	4.423	E 9 66. BOLT (1/2"-13 x 1 1/8")	4.319
	29. ROLLER, Brg (1/4" x 3/4")	4.422	67. SHAFT (7/8" Dia x 5 1/2" Long)	4.433
	30. GEAR, Trans Countershaft	4.421	68. PIN, Spring Slotted (1/4" x 1/2")	8.939
	31. SPACER, Countershaft Bearing	4.423	69. PLUG, Cup (.25" OD x 0.125")	N.S.
	32. SHAFT, Trans Counter	4.428	70. WASHER, Reverse Idler Gear Rr Thrust	4.423
	33. KEY (1/8" x 5/8") Woodruff	8.960	71. GEAR ASM, Trans Reverse Idler	4.430
	34. RING, Clutch Hub Retainer	4.384	72. RING, Gear Frt (1 5/8")	4.435
	35. RING, Blocking (Also Pt of #38,41)	4.383	73. GEAR, Front (16 Tooth)	4.430
	36. RING, Trans Synchronizing (Also Pt of #38,41)	4.413	74. WASHER, Rr (1 5/8")	4.437
	37. KEY, Shifting (Also Pt of #38,41)	4.384	75. BEARING, Rev Idler Gear Rr Thrust (4.384)	4.437
	38. SYNCHRONIZER ASM, 3rd & 4th (Incl #35,36,37)	4.380		



V4-24

1963-74 MUNCIE 4 SPEED MANUAL TRANSMISSION

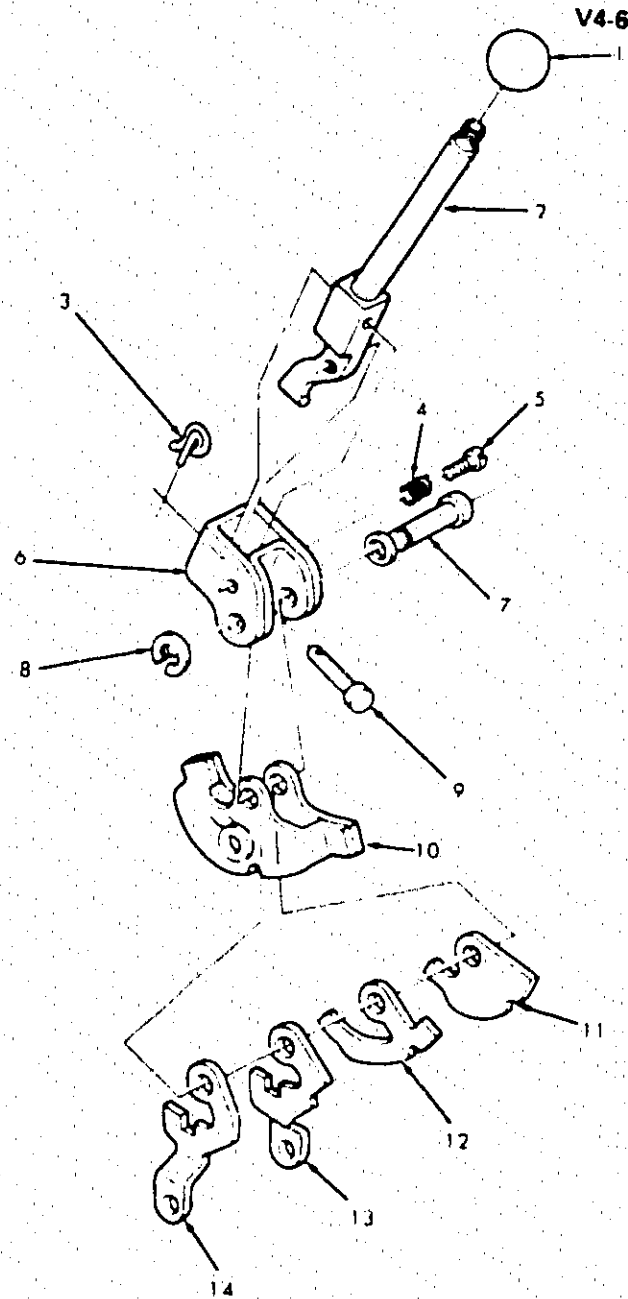
(12-83)

WAREHOUSING AND DISTRIBUTION DIVISION OF GENERAL MOTORS CORPORATION—CHEVROLET—14A

4.000-GROUP

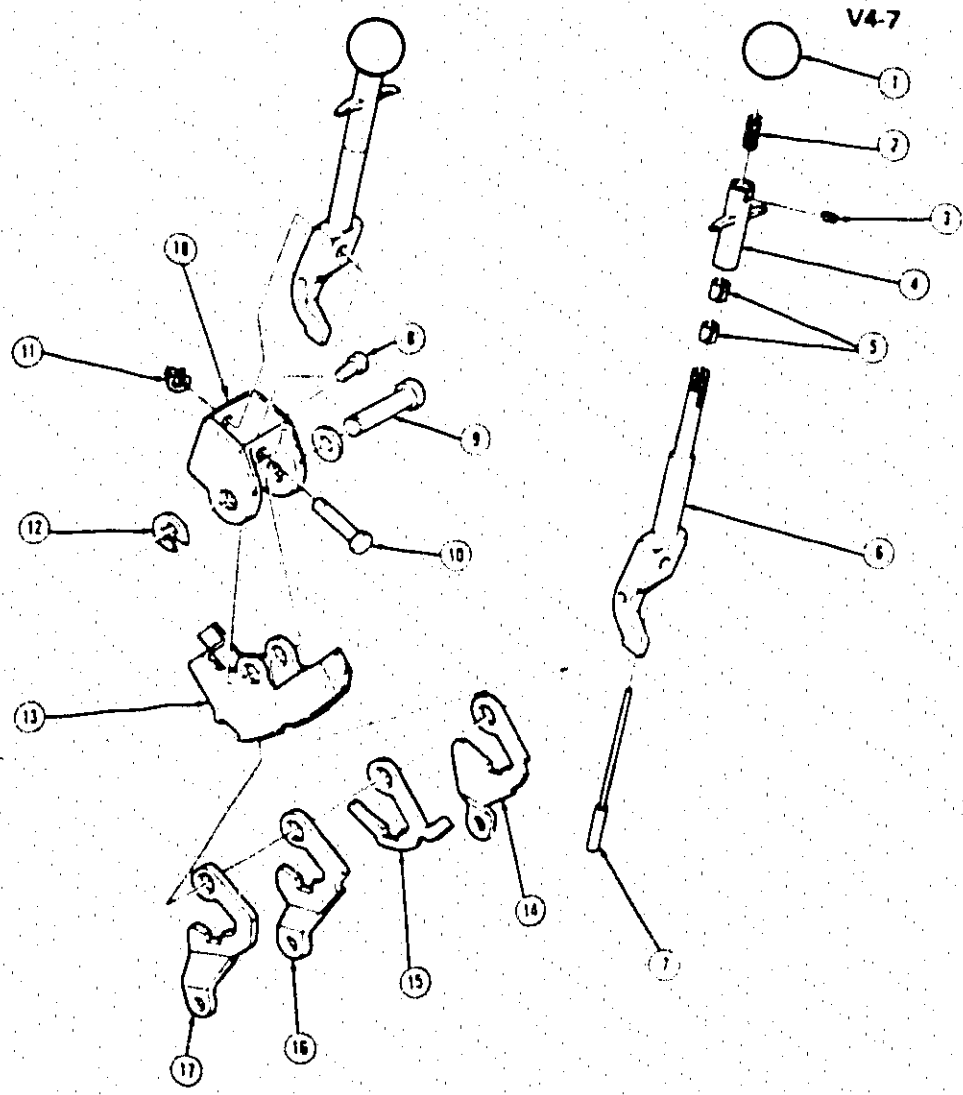
1963-74 MUNCIE 4 SPEED MANUAL TRANSMISSION

	1. GEAR	4.421
	2. SPACER	4.423
	3. ROLLER	4.422
	4. WASHER	4.423
	5. SHAFT	4.428
E 9	6. GASKET	4.318
E 9	7. GEAR	4.351
E 9	8. BEARING ASM	4.352
E 9	9. BEARING	4.355
	10. NUT	4.356
	11. GASKET	4.358
	12. RETAINER	4.356
	13. BOLT (5/16"-18 x 3/4")	8.900
	14. WASHER, Lock (5/16")	8.932
	15. RING	4.376
E 9	16. CASE	4.103
	17. SYNCHRONIZER (3rd and 4th)	4.380
	18. SPRING	4.413
	19. SYNCHRONIZER (1st and 2nd)	4.380
	20. GEAR	4.417
	21. WASHER	4.419
	22. BEARING	4.408
E 9	23. RETAINER	4.317
E 9	24. RING	4.412
E 9	25. GEAR	4.343
	26. RING	4.383
	27. RING	4.383
	28. PLATE	4.384
	29. GEAR	4.395
	30. SHAFT	4.403
	31. GEAR	4.415
	32. SYNCHRONIZER, Part of 4.380 CLUTCH	N.S.
	33. SYNCHRONIZER, Part of 4.380 CLUTCH	N.S.
	34. RING	4.384
E 9	35. EXTENSION ASM	4.317
	36. BOLT (3/8"-16 x 1 3/4")	8.900
E 9	37. SEAL	4.318
E 9	38. BUSHING	4.319
	39. BOLT (7/16"-14)	8.900
E 9	40. GEAR	4.337
E 9	41. RETAINER	4.338
E 9	42. FITTING	4.338
E 9	43. SEAL	4.338
	44. WASHER (11/16" x 11/32" x 5/64")	8.929
	45. WASHER, Lock (5/16")	8.931
	46. NUT (5/16"-18)	8.915
E 9	47. LEVER	4.045
E 9	48. SHAFT ASM	4.302
E 9	49. FORK	4.303
E 9	50. SEAL	4.313
E 9	51. SPRING	4.311
E 9	52. PIN	4.311
E 9	53. COVER	4.105
E 9	54. CAM	4.311
E 9	55. SHAFT ASM	4.309
E 9	56. FORK	4.303
	57. PIN (5/32" x 1 1/4")	8.940
	58. RING (5/16" Type 3)	8.934
E 9	59. GASKET	4.109
	60. PIN (1/4" x 1 1/2")	8.939
	61. SHAFT	4.433
	62. WASHER	4.437
	63. GEAR ASM	4.430
	64. GEAR	4.430
	65. BALL (3/8")	8.899



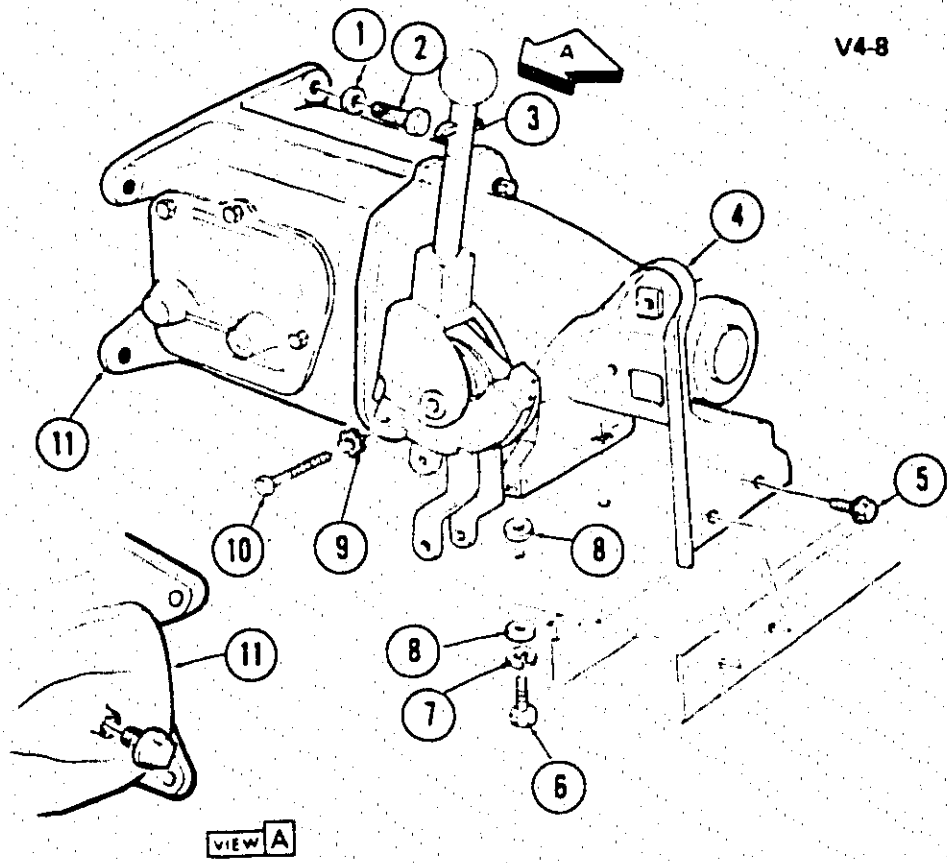
1965-68 'Y' 3-SPEED SHIFT LEVER

E 9	1. KNOB, Control Lever	4.005	E 9	8. RETAINER, Control Lever	4.032
E 9	2. LEVER ASM, Gearshift Control	4.006	E 9	9. PIN, Control Lever	4.008
E 9	3. RETAINER, Special	4.037	E 9	10. BRACKET ASM, Control Lever	4.010
E 9	4. SPRING, Control Lever	4.008	E 9	11. SPACER, Control Lever Interlock	4.008
E 9	5. SCREW	4.012	E 9	12. INTERLOCK, Control Reverse Lever	4.027
E 9	6. BRACKET ASM, Part of #2	N.S.	E 9	13. LEVER, 1st & Rev	4.030
E 9	7. SHAFT, Control Shift Lever	4.025	E 9	14. LEVER, 2nd & 3rd	4.030



1964-67 'Y' 4-SPEED SHIFT LEVER

E 9	1. KNOB, Control Lever	4.008	E 9	9. SHAFT, Control Shifter Lever	4.025
E 9	2. SPRING, Control Lever	4.008	E 9	10. PIN, Control Lever-Lower	4.008
	3. SCREW (#6-32 x 1/4")	8.975	E 9	11. RETAINER, Special	4.037
E 9	4. HANDLE, Reverse W/Cable	4.006	E 9	12. RETAINER, Control Shifter Lever, Shaft	4.027
E 9	5. BUSHING, Reverse Release Cable Handle	4.008	E 9	13. BRACKET, Control Shifter Lever	4.030
E 9	6. LEVER ASM, W/Upper & Lower Levers	4.006	E 9	14. LEVER, Reverse	4.030
E 9	7. ROD, Control Reverse Release	4.006	E 9	15. INTERLOCK, Control Reverse Lever	4.027
E 9	8. PIN, Lever Release (1/4" ID x 45/64" OD)	4.008	E 9	16. LEVER, 1st & 2nd	4.030
			E 9	17. LEVER, 3rd & 4th	4.030
				18. Part of #13 Bracket Unit	N.S.

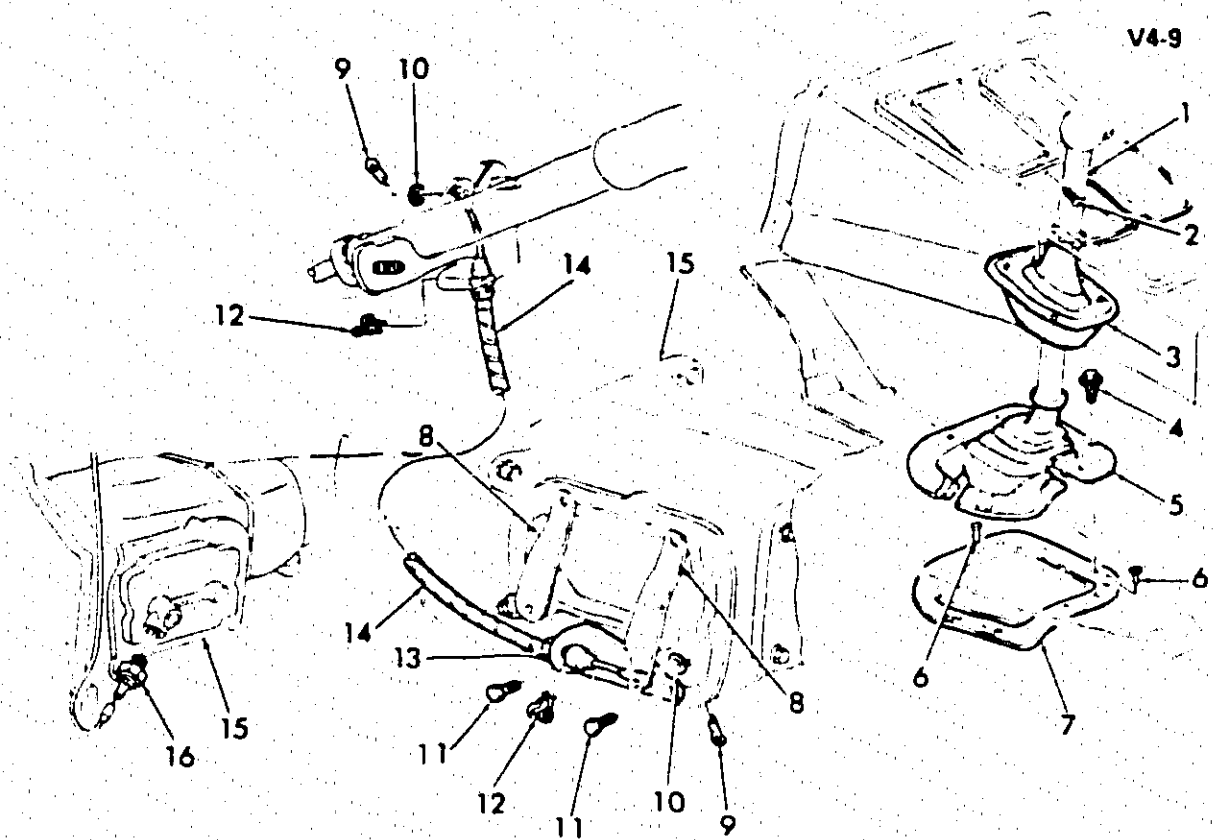


V4-8

V4-8

1968-81 'Y' MANUAL TRANSMISSION CONTROL LEVER

	1. WASHER	8.931
	2. BOLT (1/2"-13 x 1 3/4")	8.900
E 9	3. CONTROL ASM, W/Shaft & Housing	4.004
E 9	4. SUPPORT, Control Lever & Bracket	4.010
	5. SCREW (5/16"-18 x 3/4")	8.977
	6. BOLT (3/8"-16 x 7/8")	8.900
	7. WASHER (3/8")	8.931
	8. WASHER (13/32")	8.929
	9. WASHER (3/8")	8.932
	10. BOLT (3/8"-16)	8.900
E 9	11. TRANSMISSION ASM	4.003

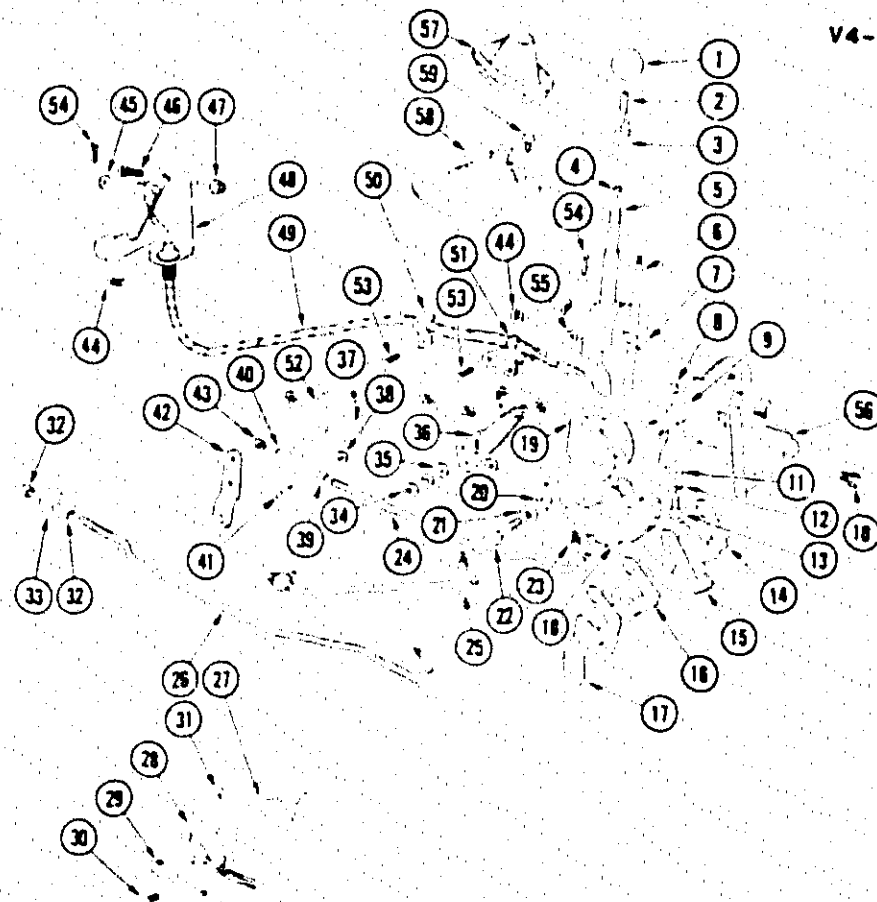


V4-9

V4-9

1969-72 'Y' INTERLOCK LINKAGE, CONTROL LEVER & T.C.S. SWITCH

E 9	1. CONTROL ASM. W/Shaft & Housing	4.004
	2. SCREW (#8-18 x 1/2")	8.977
E 9	3. BOOT, Upper	4.015
	4. SCREW ASM (#10-16 x 7/8")	8.977
E 9	5. BOOT, Lower	4.015
	6. RIVET	8.967
E 9	7. PLATE, Cont Lever Lower Boot Tapping	4.015
E 9	8. LEVER ASM, 1st and Reverse, 2nd & 3rd	4.045
	9. PIN, Cotter (3/32" x 5/8")	8.938
N 18	10. WASHER	3.425
	11. BOLT (5/16"-18 x 7/8")	8.900
G 26	12. RETAINER	4.785
E 9	13. BRACKET, Control Cable	4.047
E 9	14. CABLE ASM, Control Lock	4.070
E 9	15. TRANSMISSION ASM	4.003
E 9	16. SWITCH ASM, Control Spark (1970-72 Only)	4.075



V4-3

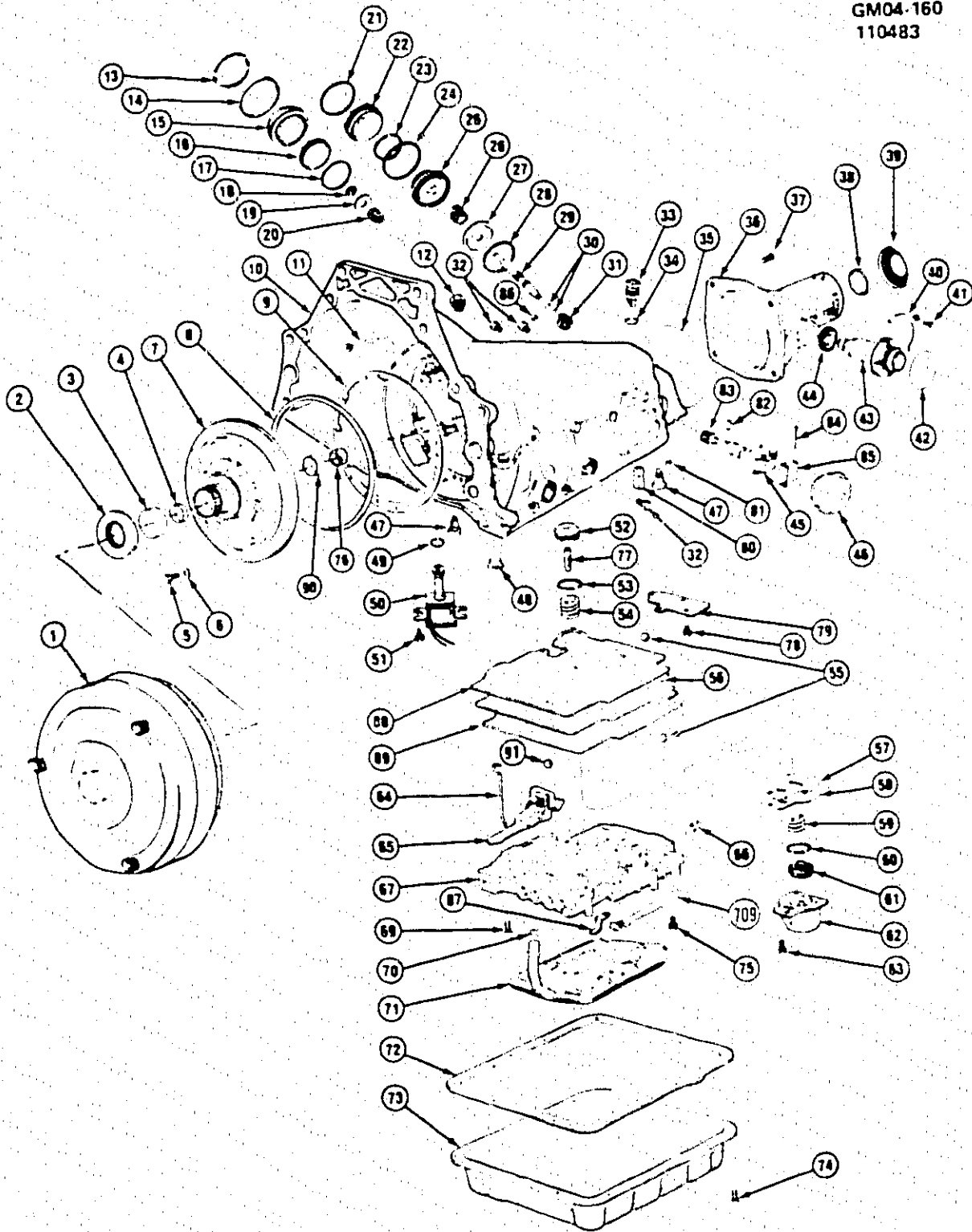
V4-3

1964-81 'Y' 4-SPEED M.T. SHIFT CONTROL

E 9	1. KNOB, Control Lever	4.008		30. SCREW (#10-24 x 5")	8.900
E 9	2. SPRING, Reverse Release Return	4.008	N 18	31. CLIP, Backing Lamp Switch Cont Rod	3.425
	3. HANDLE, Rev Rel (Part of #6)	N.S.	E 9	32. NUT, Cont Rod Swivel (7/16"-20)	4.037
E 9	4. BUSHING, Rev Release Cable Handle	4.008	E 9	33. SWIVEL, Control Rod 2nd & 3rd	4.054
E 9	5. LEVER ASM, Control	4.008		34. NUT (3/8"-16)	8.915
E 9	6. HANDLE ASM, Rev Release (Incls #3)	4.008		35. WASHER (13/32" x 13/16")	8.929
E 9	7. PIN, Control Lever, Lower	4.008	E 9	36. LEVER, Cont Shifter Rev	4.045
E 9	8. PIN, Control Lever, Reverse	4.008		37. PIN (3/32" x 1")	8.938
E 9	9. SHAFT, Control Shifter Lever	4.025	N 18	38. WASHER, Cont Rod Clevis 1st & 2nd	2.760
	10. SCREW (5/16"-12 x 7/8")	8.977	E 9	39. NUT, Cont Rod Swivel (7/16"-20)	4.037
N 19	11. WASHER, Cont Lever & Brkt Supt	3.708	E 9	40. CLEVIS, 1st & 2nd	4.037
	12. WASHER (3/8" x 43/64")	8.931	E 9	41. PIN, 1st & Reverse Rod Clevis	4.008
	13. BOLT (3/8"-16 x 1")	8.900	E 9	42. LEVER, 1st & 2nd, 3rd & 4th Trans	4.045
	14. LEVER, Trans Cont Shift Rev	N.S.		43. WASHER (1/32" ID x 13/16" OD)	8.929
E 9	15. INTERLOCK, Cont Rev Lever (5/64" Thk)	4.027	G 26	44. RETAINER, Frt & Rr Park Brk Cbl	4.785
E 9	16. LEVER, Cont Shift 1st & 2nd	4.030	N 18	45. WASHER, Cont Lock Cable	3.425
E 9	17. LEVER, Gearshift 2nd & 3rd	4.030		46. BOLT (5/16"-18 x 1 1/2")	N.S.
E 9	18. BRACKET, Control Shifter Lever	4.030		47. NUT (5/16"-18)	8.917
E 9	19. BRACKET, Trans Cont Lever	4.010	E 9	48. BRACKET, Cont Lock Cable	4.070
E 9	20. RETAINER, Cont Shifter Lever Shaft	4.027	E 9	49. CABLE, Cont Lock (30 15/16")	4.070
	21. WASHER (3/8" x 11/16")	8.932	E 9	50. CLIP, Cont Lock Cable	4.070
	22. BOLT (3/8"-16 x 2 51/64")	8.900	E 9	51. BRACKET, Cont Lock Cable	4.070
E 9	23. RETAINER, Trans Cont Rod	4.037	E 9	52. LEVER, Trans Mounted Gearshift	4.045
E 9	24. ROD, 1st & 2nd	4.035		53. BOLT, Hex (5/16"-18 x 3/4")	8.900
E 9	25. ROD, Reverse Control	4.035		54. PIN, Cotter (3/32" x 5/8")	8.938
E 9	26. ROD, 3rd & 4th	4.035	N 10	55. WASHER (9/32")	3.425
N 18	27. BRACKET, Backing Lp Sw Cont	2.898	E 9	56. SUPPORT, Lever	4.010
N 18	28. SWITCH ASM, Backing Lamp	2.898	E 9	57. BOOT, Control Lever Upper	4.015
N 18	29. ROD, Backing Lamp Switch Cont	2.898	E 9	58. BOOT, Control Lever Lower	4.015
				59. SCREW (#10-16 x 1/2")	8.977

NOTE: Items #49-51 were used beginning in 1969.

GM04-160
110483



31238-700-R4

GM04-160

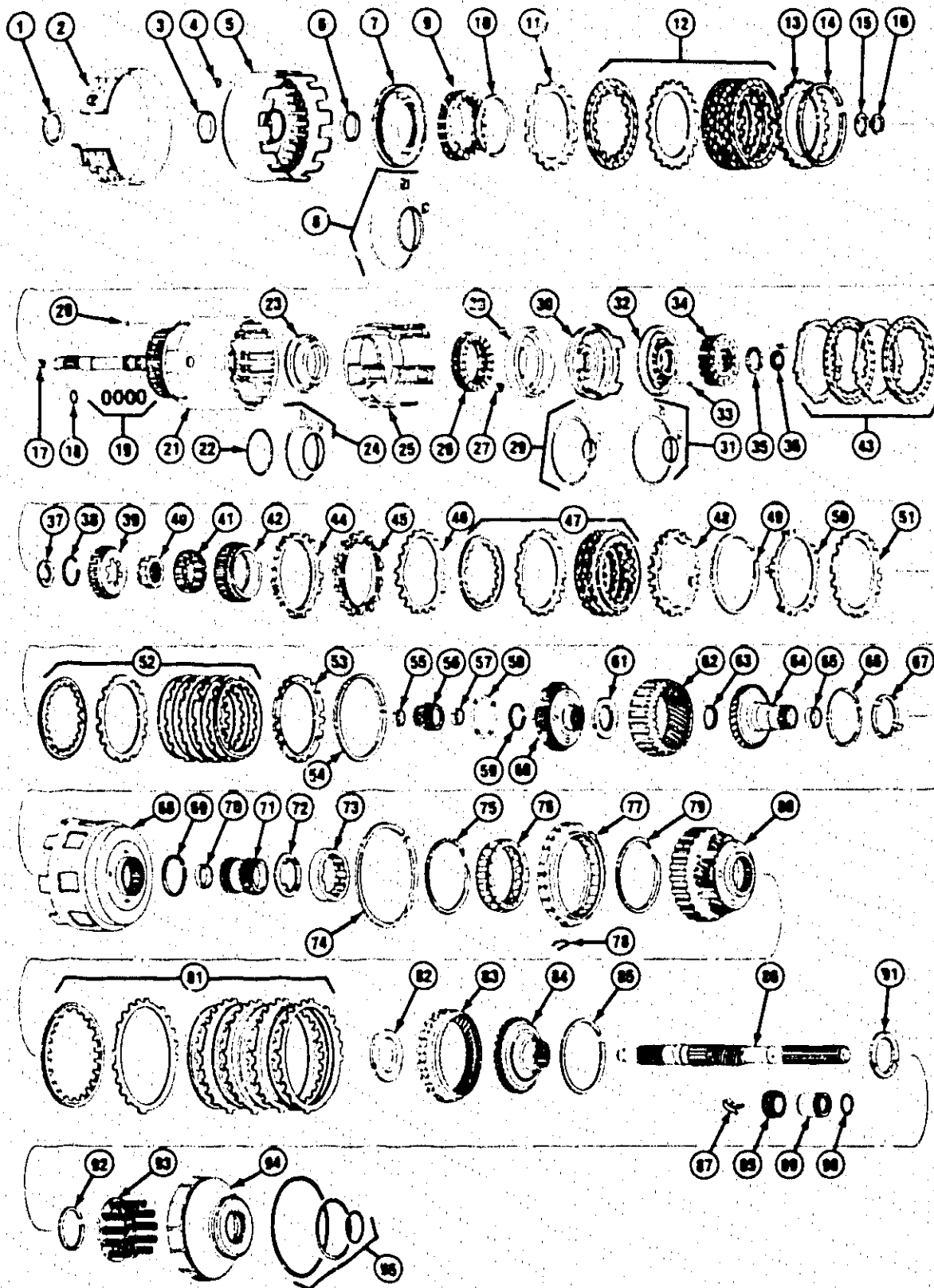
1982 'Y' THM700-R4 TRANSMISSION CASE & RELATED PARTS (MD8)

GM04-160

1982 'Y' THM700-R4 TRANSMISSION CASE & RELATED PARTS (MD8)

E 9	1. CONVERTER	4.115	E 9	45. GOVERNOR (Incls #75)	4.256
E 9	2. SEAL, Pump	4.226	E 9	46. COVER, Governor	4.256
E 9	3. BUSHING, Pump Body	4.226	E 9	47. SCREEN, Oil Press (Conv & Gov)	4.248
E 9	4. BUSHING, Stator Shf Frt	4.226	E 9	48. PIN, Band Anchor	4.229
E 9	5. BOLT, W/Wa Pump to Case	4.226	E 9	49. SEAL, Conv Clu Sol (4.123)	4.122
	6. WASHER (Part of #5)	N.S.	E 9	50. SOLENOID (Red)(Incls #49)	4.122
	7. PUMP (See Pump Illus)	N.S.	E 9	51. BOLT, Hex Wa Hd (M6 x 1 x 12)	8.900
E 9	8. SEAL, Oil Pump to Case	4.226	E 9	52. PISTON, Accum (3-4)(Incls #53)	4.228
E 9	9. GASKET, Pump Cvr	4.226	E 9	53. RING, Oil Seal (3-4 Accum Pstn)	4.229
E 9	10. CASE (Incls #11,76)	4.103	E 9	54. SPRING, 3-4 Accum	4.233
E 9	11. PIPE, Vent	4.104	E 9	55. BALL (6.3mm Dia)(4.216)	4.265
E 9	12. CONNECTOR, Inverted Flare	4.128	E 9	56. PLATE, Vlv Body Spacer	4.265
E 9	13. RING, Servo Cvr Ret	4.228	E 9	57. PLATE, Accum (Not used on 1984)	N.S.
E 9	14. SEAL, "O" Ring (2-4 Servo Cvr)	4.229	E 9	58. GASKET, Accum Cvr to Plt (Not used on 1984)	N.S.
E 9	15. COVER, 2-4 Servo (Incls #14)	4.241	E 9	59. SPRING, 1-2 Accum	4.233
E 9	16. PISTON, 4th Apply (Incls #17)	4.228	E 9	60. RING, Oil Seal (1-2 Accum Pstn)	4.229
E 9	17. RING, Oil Seal Outer (4th Apply Pstn)	4.229	E 9	61. PISTON, Accum (1-2)(Incl #60)	4.228
	18. RETAINER, Snap Ring Bowd Ext Fits Shf (7/16")	8.934	E 9	62. COVER, W/Pin, 1-2 Accum	4.228
E 9	19. WASHER, Servo Apply Pin	4.233	E 9	63. BOLT, Hex (M6 x 1 x 35)(2 Reqd)	8.900
E 9	20. SPRING, Servo Apply Pin	4.233		BOLT, Flanged Hex Hd (M6 x 1 x 65)(1 Reqd)	8.900
E 9	21. SEAL, "O" Ring	4.229	E 9	64. LINK, Throttle Lvr to Cable	4.275
E 9	22. HOUSING, Servo Pstn Inr (Incls #14,21)	4.228	E 9	65. LEVER, W/Brkt, Throttle	4.275
E 9	23. SEAL KIT, 2nd Apply Pstn Inr & Otr	4.229	E 9	66. CLIP, Electrical Wire	4.197
	24. RING, Oil Seal Outer (See item #23)	N.S.	E 9	67. VALVE ASM, Cont (Also, See Valve Illustration)	4.265
E 9	25. PISTON, 2nd Apply	4.228		69. BOLT, Hex (M6 x 1 x 50)	8.900
E 9	26. SPRING, Servo Cushion	4.233	E 9	70. SEAL, Fltr to Pump (4.338)	4.115
E 9	27. RETAINER, Servo Cush Spr	4.233	E 9	71. FILTER, Oil (Incls #70,72)	4.197
E 9	28. RING, 2nd Apply Pstn Ret	4.229	E 9	72. GASKET, Oil Pan	4.196
E 9	29. PIN, 2nd Apply Pstn (2 Ring)(Incls #30)	4.228	E 9	73. PAN, Oil	4.195
E 9	30. PIN, 2nd Apply Pstn (3 Ring)(Incls #30)	4.228	E 9	74. SCREW, Oil Pan	4.196
E 9	31. PIN, 2nd Apply Pstn (Wide Band)(Incls #30)	4.228		75. BOLT, Hex (M8 x 1.25 x 20)	8.900
E 9	32. SEAL, 2nd Apply Pstn Pin	4.228	E 9	76. BUSHING, Case	4.104
E 9	33. SPRING, Servo Return	4.233	E 9	77. PIN, Accum Pstn	4.226
E 9	34. PLUG, Clu & Accum Press (1/4" 18 Pipe)	4.265		78. BOLT, Hex (M6 x 1 x 16)	8.900
	35. PLUG, Line Press, (1/8" 27 Auto HH Pipe Pl)	8.971	E 9	79. COVER, Oil Pass	4.197
E 9	36. CONNECTOR, Elec (Incls #34)	4.115	E 9	80. RETAINER, W/Ball, 3rd Accum	4.228
E 9	37. SEAL, Elec Conn (4.338)	4.115	E 9	81. PLUG, Case Accum	4.105
E 9	38. SEAL, Case Extn to Case	4.318		82. PIN, Spr Coiled (1/8" x 5/8")	8.939
E 9	39. EXTENSION, Case (Incls #38,39)	4.317	E 9	83. GEAR, Gov Driven (Incls #82,84)	4.256
E 9	40. BOLT, Case Ext (0.029)	4.317	E 9	84. PIN, Gov Weight	4.256
E 9	41. BUSHING, Case Extension	4.319	E 9	85. CAP, Gov Thrust	4.256
E 9	42. SEAL, Ext Oil	4.318	E 9	86. PLUG, Case Servo	4.105
N 19	43. RETAINER, Veh Spd Sensor	3.682	E 9	87. CLIP, Filter Ret	4.197
	44. BOLT, Hex Wa Hd (M6 x 1 x 25)	8.900	E 9	88. GASKET KIT, Spacer Plate Up & Lwr	4.265
E 9	45. SEAL, Speedo Sensor	4.338		89. GASKET, Vlv Body Lwr (Part of #88)	N.S.
N 19	46. SENSOR, Veh Spd (See Catalog)	3.682	E 9	90. BUSHING, Stator Shf Rr	4.226
E 9	47. GEAR, Speedo Driven (See Catalog Chart)	4.337	E 9	91. BALL, Carbon Steel, T.V. Exh	4.265
			E 9	709. SPRING, Manual Detent	4.275

GM4-121



GM4-121

1982 'Y' THM700-R4 TRANSMISSION. LUTCH GEARS (MD8)(1ST DES)(1)

1982 'Y' THM700-R4 TRANSMISSION CLUTCH GEARS (MD8)(1ST DES)(*1)

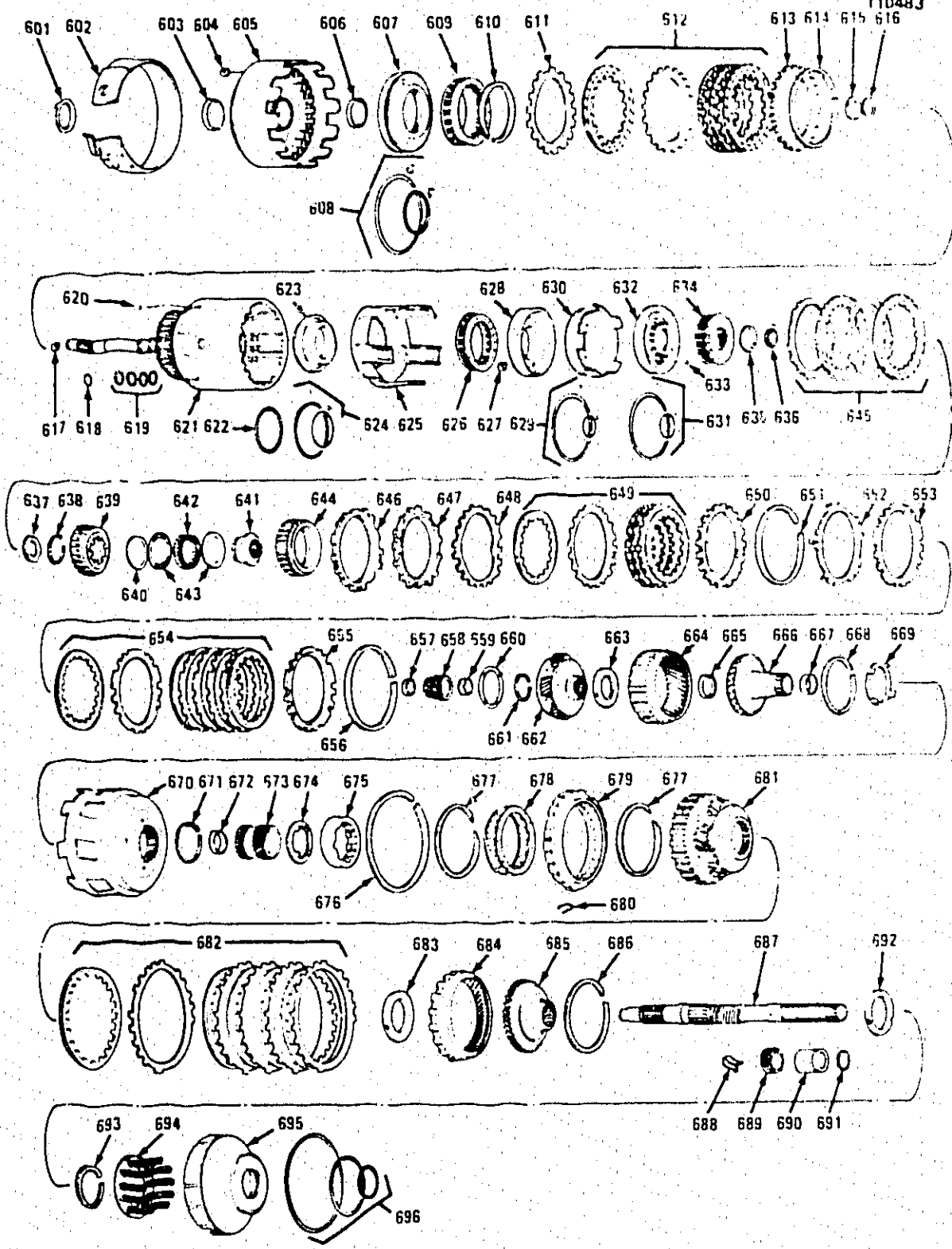
E	9	1. WASHER, Thrust, Pump to Drum	4.226	E	9	49. RING, Fwd Clu Bkg Plt Ret	4.163
E	9	2. BAND, Trans 2nd & 4th	4.163	E	9	50. PLATE, 3rd & 4th Clu Ring Ret	4.163
E	9	3. BUSHING, Rev Input Clu Hsg Frt	4.180	E	9	51. PLATE, 3rd & 4th Clu Apply	4.163
E	9	4. RETAINER, W/Ball, Rev Clu Hsg	4.169	E	9	52. PLATE, 3rd & 4th Clu (1.97MM)	4.163
E	9	5. HOUSING, W/Drum, Rev Input Clu (Incls #3,4,6)	4.169	E	9	53. PLATE, 3rd & 4th Clu (Smooth)	4.163
E	9	6. BUSHING, Rev Input Clu Rr	4.169	E	9	54. RING, 3rd & 4th Clu Bkg Plt Ret	4.163
E	9	7. PISTON, Rev Input Clu	4.166	E	9	55. BUSHING, Input Sun Gear Frt	4.159
E	9	8. SEAL KIT, Rev Input Clu	4.166	E	9	58. GEAR, Inpt Sun (Incls #55 & 57)(*3)	N.S.
E	9	9. SPRING, Rev Input Clu	4.164	E	9	57. BUSHING, Input Sun Gear Rr	4.159
E	9	10. RING, Rev Input Clu Spr Ret	4.164	E	9	58. WASHER, Thrust Inpt Carr to Race(*3)	N.S.
E	9	11. PLATE, Rev Input Clu (Waved)	4.163	E	9	59. RETAINER, Optp Shf to Input Carr	4.176
E	9	12. PLATE, Rev Input Clu (Grooved Fiber)	4.163	E	9	60. CARRIER, Input (Complete)(*3)	N.S.
E	9	13. PLATE, Rev Input Clu (Flat Steel)	4.163	E	9	61. BEARING, Thrust Input Carrier to Reaction Shaft	4.159
E	9	14. PLATE, Rev Input Clu Backing	4.163	E	9	62. GEAR, Input Internal	4.158
E	9	15. BEARING, Rev Input Clu Retaining	4.164	E	9	63. BUSHING, Reaction Carrier Shaft Frt	4.176
E	9	16. WASHER, Stator Shaft to Select Washer	4.162	E	9	64. SHAFT, Reaction Carrier (Includes item 63 & 65)	4.175
E	9	17. WASHER, Thrust Input Hsg to Stator Shf (Selective)	4.158	E	9	65. BUSHING, Reaction Carrier Shaft Rr	4.176
E	9	18. RETAINER, W/Ball, Check Valve	4.123	E	9	66. RING, Reaction Shaft to Internal Gear Retainer	4.176
E	9	19. SEAL, "O" Ring Turb Shaft to Sel Washer	4.123	E	9	67. WASHER, Thrust Reaction Shaft to Shell	4.176
E	9	20. RING, Oil Seal, Turbine Shaft (Teflon)(4 reqd)	4.123	E	9	68. SHELL, Reaction Sun	4.175
E	9	21. BALL, Check Valve (4.256)	4.123	E	9	69. RING, Reaction Sun Gear Retainer	4.159
E	9	22. HOUSING, W/Shaft, Input Clu	4.158	E	9	70. BUSHING, Reaction Sun	4.176
E	9	23. SEAL, "O" Ring Input to Forward Housing(*2)	N.S.	E	9	71. GEAR, Reaction Sun (Incls #70)	4.159
E	9	24. PISTON, 3rd & 4th Input Clu	4.166	E	9	72. WASHER, Thrust Race to Reaction Shell	4.176
E	9	25. SEAL, 3rd & 4th Clu Inr & Otr(*2)	N.S.	E	9	73. RACE, Lo & Reverse Overrun Clu	4.180
E	9	26. RING, 3rd & 4th Clu Apply	4.167	E	9	74. RING, Lo & Rev Supt to Case Ret	4.180
E	9	27. SPRING, 3rd & 4th Input Clu	4.167	E	9	75. RING, Lo & Reverse Overrun Clu	4.180
E	9	28. RETAINER, W/Ball, Fwd Clu Hsg	4.169	E	9	76. CLUTCH, Lo & Reverse Overrun	4.180
E	9	29. HOUSING, Fwd Clu (Incls #27)	4.169	E	9	77. SUPPORT, Lo & Reverse Clu	4.162
E	9	30. SEAL, Forward Clu Inr & Otr(*2)	N.S.	E	9	78. SPRING, Lo & Rev Clu Supt Ret	4.180
E	9	31. PISTON, Forward Clu	4.166	E	9	79. RING, Lo & Reverse Overrun Clu	4.180
E	9	32. SEAL, Overrun Clu Inr & Otr(*2)	N.S.	E	9	80. CARRIER, Reaction	4.176
E	9	33. PISTON, Overrun Clu (Incls #33)	4.166	E	9	81. PLATE, Lo & Rev Clu Reaction (070)	4.163
E	9	34. BALL, Overrun Clu Chk Vlv (4.256)	4.123	E	9	81. PLATE, Lo & Rev Clu Reaction (Faced 088)	4.163
E	9	35. SPRING, Overrun Clu	4.163	E	9	82. BEARING, Thrust Reaction Carr to Supt	4.176
E	9	36. RING, Ext Snap Fits M38 Dia Shf	8.934	E	9	83. GEAR, Internal Reaction	4.158
E	9	37. SEAL, Inpt Hsg to Optp Shf(*2)	4.176	E	9	84. SUPPORT, Internal Reaction Gear	4.175
E	9	38. BEARING, Input Sun Gear	4.159	E	9	85. RING, Reaction Gear to Supt Ret	4.176
E	9	39. RING, Overrun Clu Hub Ret (4.164)	4.180	E	9	86. SHAFT, Output	4.175
E	9	40. HUB, Overrun Clu(*3)	N.S.	E	9	87. CLIP, Speedo Drive Gear	4.345
E	9	41. CAM, Forward Roller Clu(*3)	N.S.	E	9	88. GEAR, Speedo Drive	4.343
E	9	42. ROLLER, Forward Clu(*3)	N.S.	E	9	89. SLEEVE, Optp Shf (Not reqd on Corvette)	4.318
E	9	43. RACE, Forward Clu Otr(*3)	N.S.	E	9	90. SEAL, Optp Shf (Not reqd on Corvette)	4.318
E	9	44. PLATE, Overrun Clutch (2.34MM)	4.163	E	9	91. BEARING, Reaction Gear Supt to Case (4.159)	4.176
E	9	45. PLATE, Overrun Clutch (Grooved)	4.163	E	9	92. RING, Lo & Reverse Clu Retainer	4.164
E	9	46. PLATE, Forward Clu Apply	4.163	E	9	93. SPRING, Lo & Reverse Clu	4.164
E	9	47. PLATE, Fwd Clu Spacer (6 Cyl only)	4.153	E	9	94. PISTON, Lo & Reverse Clu	4.166
E	9	48. PLATE, Forward Clu (Waved)	4.163	E	9	95. SEAL KIT, Lo & Reverse Clu	4.166
E	9	49. PLATE, Forward Clu (1.97MM)	4.163				
E	9	50. PLATE, Forward Clu (Smooth)	4.163				
E	9	51. PLATE, Forward Clu Backing	4.163				

NOTE 1: 1st design has Roller design Forward Clutch, 2nd design has Sprag design Forward Clutch. See 2nd design Clutch Gear illustration.

NOTE 2: Part of SEAL KIT, Input Hsg Piston, Group 4.166.

NOTE 3: Items 39,40,41,42,56,58 & 60 are no longer serviced separately. Use 2nd design SPRAG CLUTCH CONVERSION KIT 8642947, Group 4.180. Also see 2nd design Clutch gear illustration.

GM04 161
110483



400468-700-R4

GM04-161.2

1982 'Y' THM700-R4 TRANSMISSION CLUTCH GEARS (MD8)(2ND DES)(*1)

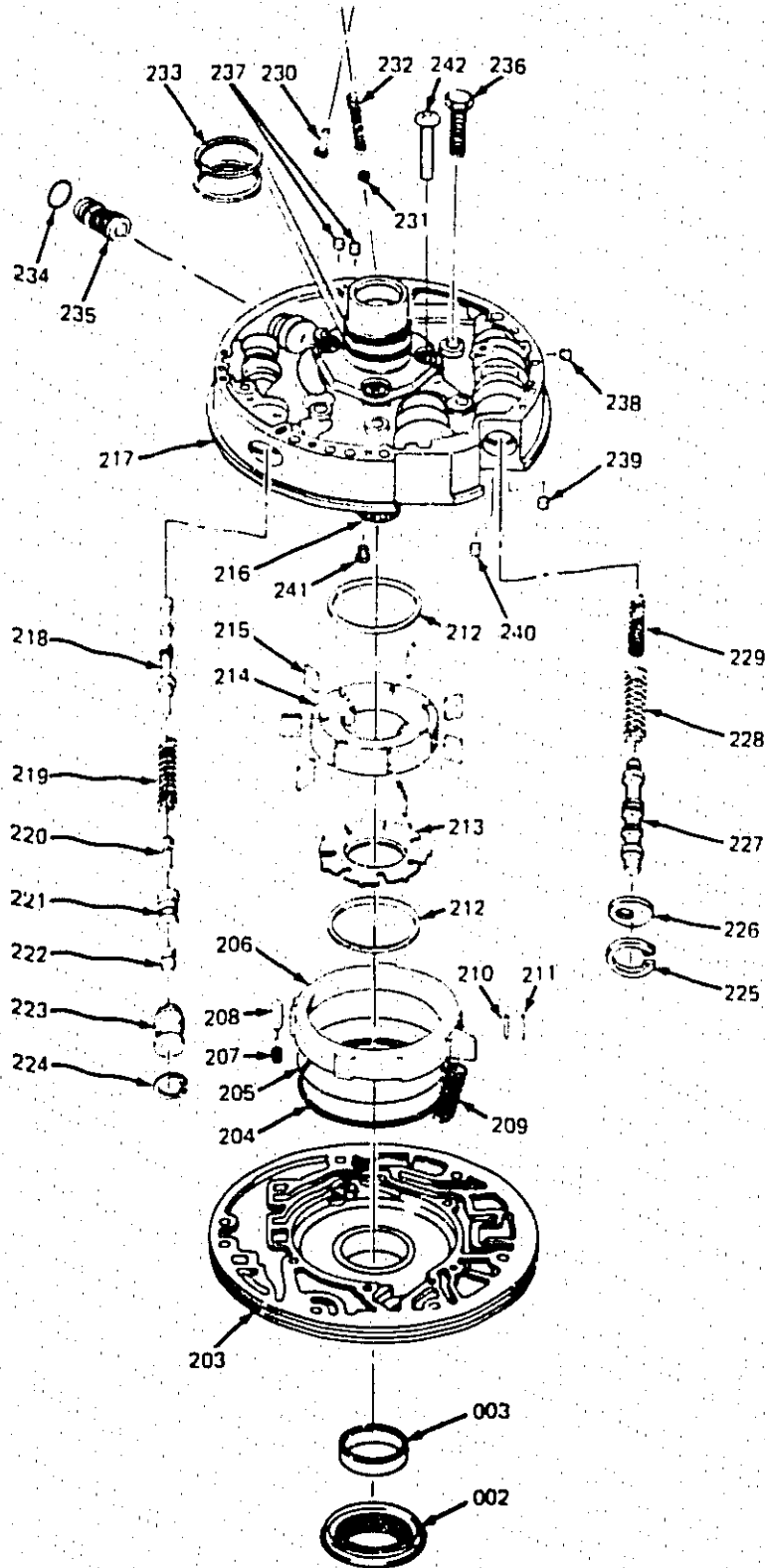
1982 'Y' THM700-R4 TRANSMISSION CLUTCH GEARS (MD8)(2ND DES)(*1)

E	9 601. WASHER, Thrust, Pump to Drum	4.226	E	9 648. PLATE, Forward Clu (Waved)	4.163
E	9 602. BAND, Trans 2nd & 4th	4.163	E	9 649. PLATE, Forward Clu (1.97MM)	4.163
E	9 603. BUSHING, Rev Input Clu Hsg Frt	4.180	E	9 650. PLATE, Forward Clu (Smooth)	4.163
E	9 604. RETAINER, W/Ball, Rev Input Clu Chk Vlv	4.169	E	9 650. PLATE, Forward Clu Backing	4.163
E	9 605. HOUSING, W/Drum, Rev Input Clu (Incls #603,604,606)	4.169	E	9 651. RING, Forward Clu Bkg Plt Ret	4.163
E	9 606. BUSHING, Rev Input Clu Rr	4.169	E	9 652. PLATE, 3rd & 4th Clu Ring Ret	4.163
E	9 607. PISTON, Rev Input Clu	4.166	E	9 653. PLATE, 3rd & 4th Clu Apply	4.163
E	9 608. SEAL KIT, Rev Input Clu	4.166	E	9 654. PLATE, 3rd & 4th Clu (1.97MM)(5 reqd)	4.163
E	9 609. SPRING, Rev Input Clu	4.164	E	9 654. PLATE, 3rd & 4th Clu (Smooth)(6 reqd)	4.163
E	9 610. RING, Rev Input Clu Spr Ret	4.164	E	9 655. PLATE, 3rd & 4th Clu (Selective)	4.163
E	9 611. PLATE, Rev Input Clu (Waved)	4.163	E	9 656. RING, 3rd & 4th Clu Bkg Plt Ret	4.163
E	9 612. PLATE, Rev Input Clu (Grooved Fiber)	4.163	E	9 657. BUSHING, Input Sun Gear Frt	4.159
E	9 613. PLATE, Rev Input Clu Backing	4.163	E	9 658. GEAR, Input Sun (Incls #657,659)	4.159
E	9 614. RING, Rev Input Clu Retaining	4.164	E	9 659. BUSHING, Input Sun Gear Rr	4.159
E	9 615. BEARING, Stator Shaft to Select Washer	4.162	E	9 660. WASHER, Thrust Input Carr to Race	4.176
E	9 616. WASHER, Thrust Input Hsg to Stator Shf (Selective)	4.158	E	9 661. RETAINER, Opt Shf to Input Carr	4.176
E	9 617. RETAINER, W/Ball, Check Valve	4.123	E	9 662. CARRIER, Input (Complete)	4.175
E	9 618. SEAL, "O" Ring Turb Shaft to Sel Washer	4.123	E	9 663. BEARING, Thrust Input Carr to Reaction Shf	4.159
E	9 619. RING, Oil Seal, Turbine Shaft (Teflon)(4 reqd)	4.123	E	9 664. GEAR, Input Internal	4.158
E	9 620. BALL, Check Valve (4.256)	4.123	E	9 665. BUSHING, Reaction Carr Shf Frt	4.176
E	9 621. HOUSING, W/Shaft, Input Clu	4.158	E	9 666. SHAFT, Reaction Carr (Incls #665,667)	4.175
E	9 622. SEAL, "O" Ring Input to Fwd Hsg(*2)	N.S.	F	9 667. BUSHING, Reaction Carr Shaft Rr	4.176
E	9 623. PISTON, 3rd & 4th Input Clu	4.166	E	9 668. RING, Reaction Shf to Internal Gear Ret	4.176
E	9 624. SEAL, 3rd & 4th Clu Inr & Otr(*2)	N.S.	E	9 669. WASHER, Thrust Reaction Shf to Shell	4.176
E	9 625. RING, 3rd & 4th Clu Apply	4.167	E	9 670. SHELL, Reaction Sun	4.175
E	9 626. SPRING, 3rd & 4th Input Clu	4.167	E	9 671. RING, Reaction Sun Gear Retainer	4.159
E	9 627. RETAINER, W/Ball, Fwd Clu Hsg	4.169	E	9 672. BUSHING, Reaction Sun	4.176
E	9 628. HOUSING, Fwd Clu (Incls #627)	4.169	E	9 673. GEAR, Reaction Sun (Incls #672)	4.159
E	9 629. SEAL, Fwd Clu Inr & Otr(*2)	N.S.	E	9 674. WASHER, Thrust Race to Reaction Shell	4.176
E	9 630. PISTON, Forward Clu	4.166	E	9 675. RACE, Lo & Rev Overrun Clu	4.180
E	9 631. SEAL, Overrun Clu Inr & Otr(*2)	N.S.	E	9 676. RING, Lo & Rev Supt to Case Ret	4.180
E	9 632. PISTON, Overrun Clu (Incls #633)	4.166	E	9 677. RING, Lo & Rev Overrun Clu	4.180
E	9 633. BALL, Overrun Clu Chk Vlv (4.256)	4.123	E	9 678. CLUTCH, Lo & Rev Overrun	4.180
E	9 634. SPRING, Overrun Clu	4.163	E	9 679. SUPPORT, Lo & Rev Clu	4.162
E	9 635. RING, Ext Snap Fits M38 Dia Shf	8.934	E	9 680. SPRING, Lo & Rev Clu Supt Ret	4.180
E	9 636. SEAL, Input Hsg to Opt Shf(*2)	4.176	E	9 681. CARRIER, Reaction	4.175
E	9 637. BEARING, Input Sun Gear	4.159	E	9 682. PLATE, Lo & Rev Clu Reaction (.070)	4.163
E	9 638. RING, Overrun Clu Hub Ret	4.180	E	9 683. PLATE, Lo & Rev Clu Reaction (Faced .088)	4.163
E	9 639. HUB, Overrun Clu	4.164	E	9 683. BEARING, Thrust Reaction Carr to Supt	4.176
E	9 640. PLATE, Fwd Clu Sprag Wear	4.120	E	9 684. GEAR, Internal Reaction	4.158
E	9 641. RETAINER, W/Face, Fwd Clu Sprag Inr	4.130	E	9 685. SUPPORT, Internal Reaction Gear	4.175
E	9 642. SPRAG, Forward Clu (Incls #643)	4.170	E	9 686. RING, Reaction Gear to Supt Ret	4.176
E	9 643. RETAINER (Part of #642)	N.S.	E	9 687. SHAFT, Output	4.175
E	9 644. RACE, Forward Clu Sprag Otr	4.100	E	9 688. CLIP, Speedo Drive Gear	4.345
E	9 645. PLATE, Overrun Clutch (2.34MM)	4.163	E	9 689. GEAR, Speedo Drive	4.343
E	9 646. PLATE, Overrun Clutch (Grooved)	4.163	E	9 690. SLEEVE, Opt Shf (Not reqd on Corvette)	4.318
E	9 646. PLATE, Forward Clu Apply	4.163	E	9 691. SEAL, Opt Shf (Not reqd on Corvette)	4.318
E	9 647. PLATE, Forward Clu Spacer (Not reqd on Corvette)	4.163	E	9 692. BEARING, Reaction Gear Supt to Case (4.159)	4.176
			E	9 693. RING, Lo & Rev Clu Ret (4.159)	4.164
			E	9 694. SPRING, Lo & Reverse Clu	4.164
			E	9 695. PISTON, Lo & Reverse Clu	4.166
			E	9 696. SEAL KIT, Lo & Reverse Clu	4.166

NOTE 1: 2nd design has Sprag design Forward Clutch, 1st design has Roller design Forward Clutch. See 1st design Clutch Gear illustration.

NOTE 2: Part of SEAL KIT, Input Hsg Piston, Group 4.166.

GM04-162
110483



49124A-700-R4

GM04-162

1982 'Y' THM700-R4 TRANSMISSION OIL PUMP (MD8)

1982 'Y' THM700-R4 TRANSMISSION OIL PUMP (MD8)

E 9	2.	SEAL, Pump Frt	4.226
E 9	3.	BUSHING, Pump Body	4.226
E 9	203.	BODY, Pump (Incls #002,003,203 thru 215)	4.224
	204.	RING, Oil Seal Slide to Wear Plate (Part of #203)(*1)	N.S.
	205.	SEAL, "O" Ring Slide Seal Back-Up (Part of #203)(*1)	N.S.
	206.	SLIDE, Pump (Part of #203)	N.S.
E 9	207.	SPRING, Pivot Pin	4.226
E 9	208.	PIN, Pivot Slide	4.226
E 9	209.	SPRING, Pump Slide	4.226
	210.	SUPPORT, Pump Slide Seal (Part of #203)(*1)	N.S.
	211.	SEAL, Pump Slide (Part of #203)(*1)	N.S.
E 9	212.	RING, Pump Vane(*2)	4.226
E 9	213.	GUIDE, Rotor	4.226
	214.	ROTOR, Oil Pump (Part of #203)	N.S.
E 9	215.	VANE, Pump(*2)	4.226
	216.	SHAFT & FLANGE ASM, Stator (Part of #217)	N.S.
E 9	217.	COVER, Pump (Incls #216,218 thru 232,234,235,237 thru241)	4.224
E 9	218.	VALVE, Pressure Regulator	4.218
E 9	219.	SPRING, Pressure Regulator Valve	4.218
E 9	220.	VALVE, Reverse Boost (Incls #221)	4.265
	221.	BUSHING, Reverse Boost Valve (Part of #220)	N.S.
E 9	222.	VALVE, T.V. Boost (Incls #223)	4.218
	223.	BUSHING, T.V. Boost (Part of #222)	N.S.
E 9	224.	RING, Rev Boost Vlv Ret	4.218
E 9	225.	RING, Snap, Conv Clu Vlv to Pump Ret	4.218
E 9	226.	STOP, Conv Clu Vlv	4.218
E 9	227.	VALVE, Converter Clu	4.218
E 9	228.	SPRING, Converter Clu Valve Otr	4.218
E 9	229.	SPRING, Converter Clu Valve Inr	4.218
E 9	230.	RIVET, Press Relief Ball	4.218
	231.	BALL (3/8" Steel)	8.899
E 9	232.	SPRING, Pressure Relief	4.218
E 9	233.	RING, Pump Cover (2 Req'd)	4.226
	234.	SEAL, Pump Cover Screen (Part of #235)	N.S.
E 9	235.	SCREEN, Pump Cover (Incls #234)	4.224
	236.	BOLT, Hex (M8 x 1.25 x 40)	8.900
E 9	237.	PLUG, Pump Air Bleed (4.3mm dia)	4.224
E 9	238.	PLUG, Pump Cvr (6.80mm dia)	4.224
E 9	239.	PLUG, Pump Cooler Feed (6.84mm dia)	4.224
E 9	240.	PLUG, Pump Conv Clu Signal (4.85mm dia)	4.224
E 9	241.	RETAINER, W/Ball, Dir Clu Hsg Chk Vlv	4.189

NOTE 1: Also part of SEAL KIT, W/Supt Pump Slide, Group 4.226.

NOTE 2: Also part of VANE KIT, Group 4.226.

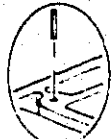
MICROFICHE INDEX
GROUPS 4.000 THRU 5.000
FICHE 3 OF 6

GROUP DESCRIPTION	STARTING GRID LOCATION	
	PARTS	ILLUSTRATIONS
- INTRODUCTION	A-6	I-2
- GENERAL INFORMATION	A-2	I-2
- ALPHABETICAL INDEX	C-11	N.A.
- INDEX FOR ADDITIONAL INFORMATION	A-5	N.A.
4.000 TRANSMISSION - BRAKES	E-2	I-6
5.000 BRAKES - REAR AXLE - PROPELLER SHAFT - WHEELS .	H-7	L-19
- OUT OF FICHE CALLS	N.A.	N-16

J-1

GM04-163
110483

VIEW A
(TYPICAL)
10 PLACES
COILED
STEEL PIN



341

VIEW B
(TYPICAL)
2 PLACES
COILED
STEEL PIN

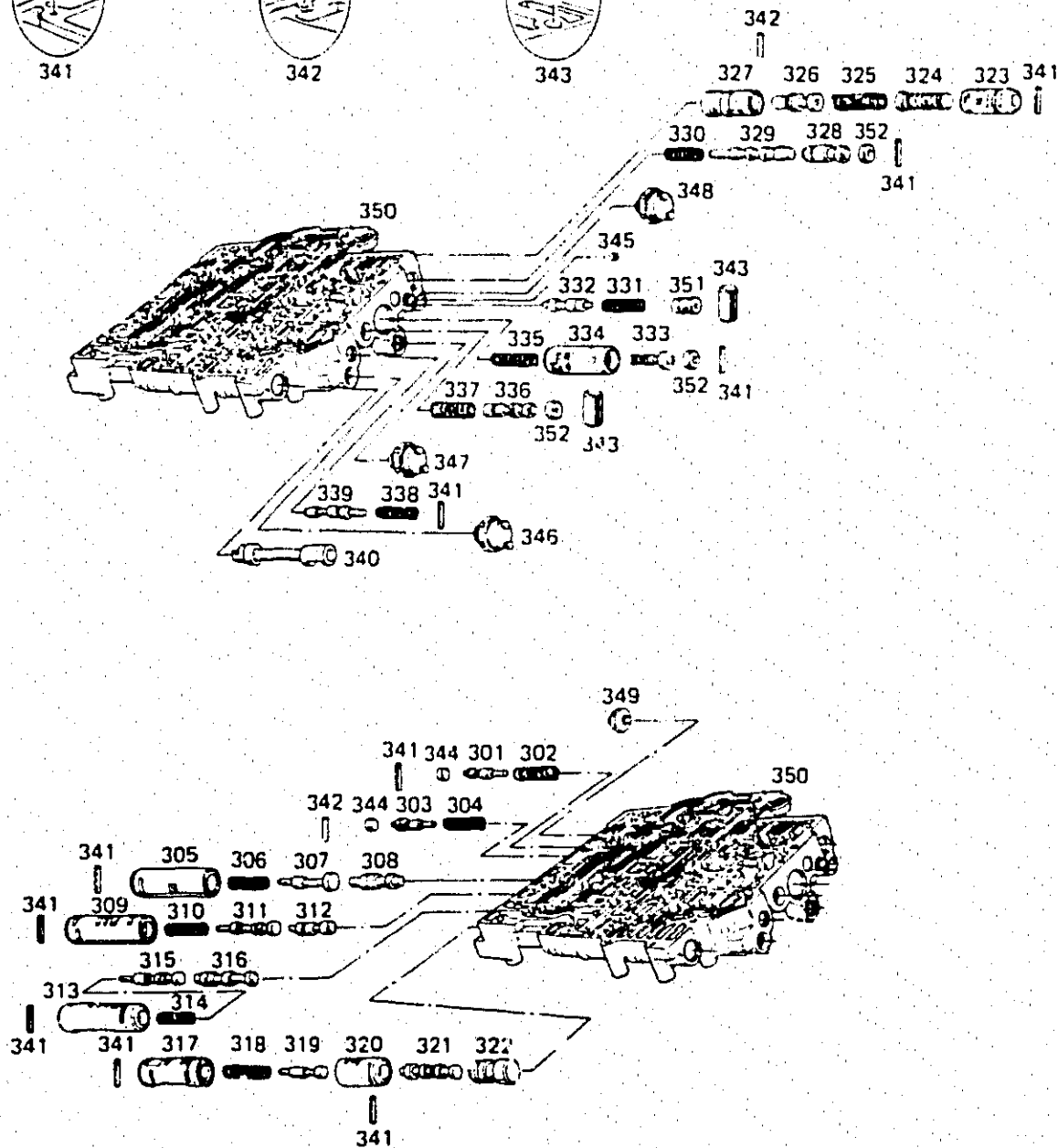


342

VIEW C
(TYPICAL)
2 PLACES
COILED
STEEL PIN



343



490212-700-R4

GM04-163

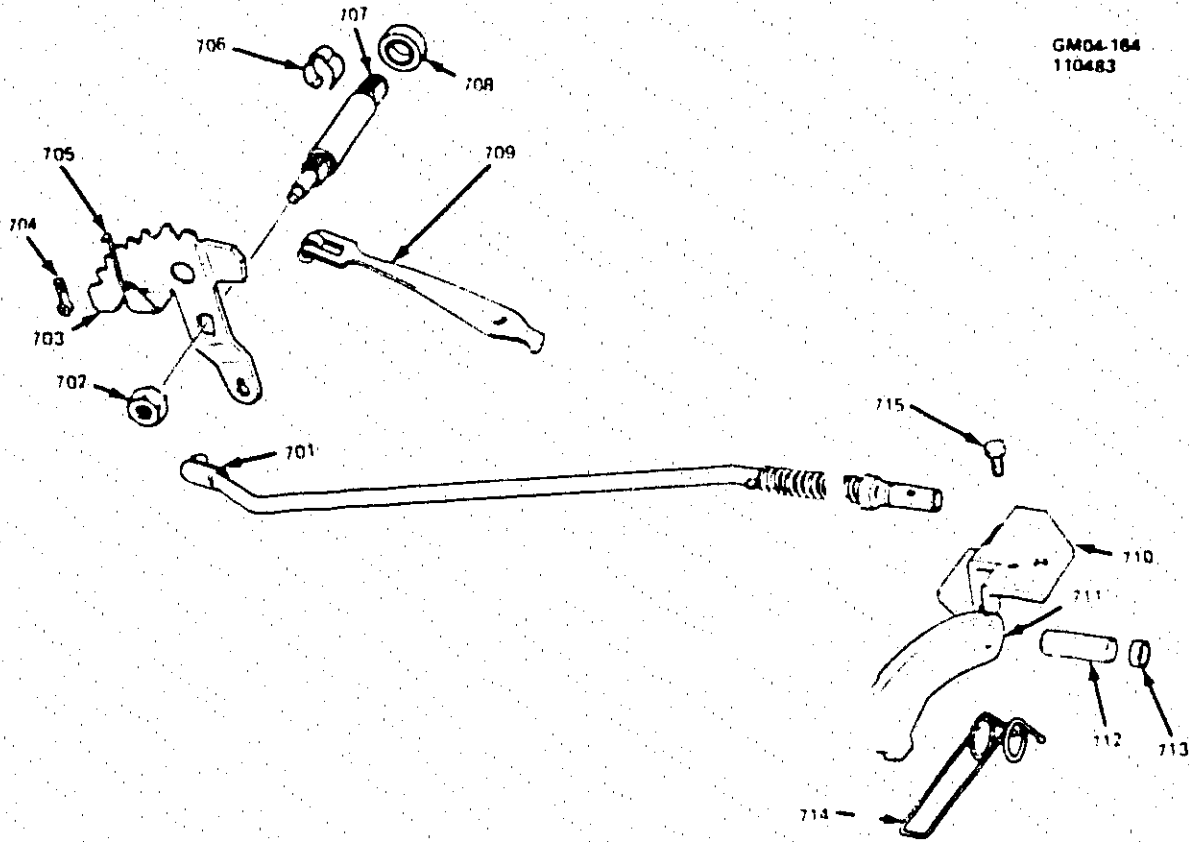
1982 'Y' THM700-R4 TRANSMISSION CONTROL VALVE (MD8)

1982 'Y' THM700-R4 TRANSMISSION CONTROL VALVE (MD3)

	301. VALVE, T.V. Modulator Downshift(* 1)	N.S.
	302. SPRING, T.V. Modulator Downshift Valve(* 1)	N.S.
	303. VALVE, T.V. Modulator Upshift(* 1)	N.S.
	304. SPRING, T.V. Modulator Upshift Valve(* 1)	N.S.
	305. SLEEVE, Conv Clu Throttle Valve(* 1)	N.S.
	306. SPRING, Conv Clu Throttle Valve(* 1)	N.S.
	307. VALVE, Converter Clutch Throttle(* 1)	N.S.
	308. VALVE, Converter Clutch Shift(* 1)	N.S.
	309. SLEEVE, 3-4 Throttle Valve(* 1)	N.S.
	310. SPRING, 3-4 Throttle Valve(* 1)	N.S.
	311. VALVE, 3-4 Throttle(* 1)	N.S.
	312. VALVE, 3-4 Shift(* 1)	N.S.
	313. SLEEVE, 2-3 Throttle Valve(* 1)	N.S.
	314. SPRING, 2-3 Throttle Valve(* 1)	N.S.
	315. VALVE, 2-3 Throttle(* 1)	N.S.
	316. VALVE, 2-3 Shift(* 1)	N.S.
	317. SLEEVE, 1-2 Throttle Valve(* 1)	N.S.
	318. SPRING, 1-2 Throttle Valve(* 1)	N.S.
	319. VALVE, 1-2 Throttle(* 1)	N.S.
	320. SLEEVE, Lo Range Control(* 1)	N.S.
	321. VALVE, Lo Range(* 1)	N.S.
	322. VALVE, 1-2 Shift(* 1)	N.S.
	323. SLEEVE, Throttle Valve Plunger(* 1)	N.S.
	324. PLUNGER, Throttle Valve(* 1)	N.S.
	325. SPRING, Throttle Valve(* 1)	N.S.
	326. VALVE, Throttle(* 1)	N.S.
	327. SLEEVE, Throttle Valve(* 1)	N.S.
	328. VALVE, 3-4 Relay(* 1)	N.S.
	329. VALVE, 4-3 Sequence(* 1)	N.S.
	330. SPRING, 4-3 Sequence Valve(* 1)	N.S.
	331. SPRING, T.V. Limit Valve(* 1)	N.S.
	332. VALVE, T.V. Limit(* 1)	N.S.
	333. VALVE, Accumulator(* 1)	N.S.
	334. BUSHING, Accumulator Valve(* 1)	N.S.
	335. SPRING, Accumulator Valve(* 1)	N.S.
	336. VALVE, Line Bias(* 1)	N.S.
	337. SPRING, Line Bias Valve(* 1)	N.S.
	338. SPRING, 3-2 Control Valve(* 1)	N.S.
	339. VALVE, 3-2 Control(* 1)	N.S.
E 9	340. VALVE, Manual	4.265
E 9	341. PIN, Coiled Spring (2.75MM x 25MM)	4.265
E 9	342. PIN, Coiled Spring (2.75MM x 20MM)	4.265
E 9	343. SLEEVE, Spring Retainer	4.224
E 9	344. PLUG, Valve Bore (.56MM Dia)	4.265
E 9	345. PLUG, Cup (.33MM Dia)	4.265
E 9	346. SWITCH, Pressure 3rd Clu (Not Used On Corvette)	4.265
E 9	347. SWITCH, Pressure (4-3 Pulse)	4.265
E 9	348. SWITCH, Pressure (4th Cl)	4.265
E 9	349. SWITCH, Pressure (TCC Signal)(Not Used On Corvette)	4.265
E 9	350. VALVE ASM, Control(* 2)	4.265
E 9	351. PLUG, T.V. Limit Valve	4.265
E 9	352. PLUG, Valve Bore (12.5 OD)	4.265

NOTE 1: Part of item #350.

NOTE 2: Service Control Valve includes all items illustrated here.



GM04-164
110483

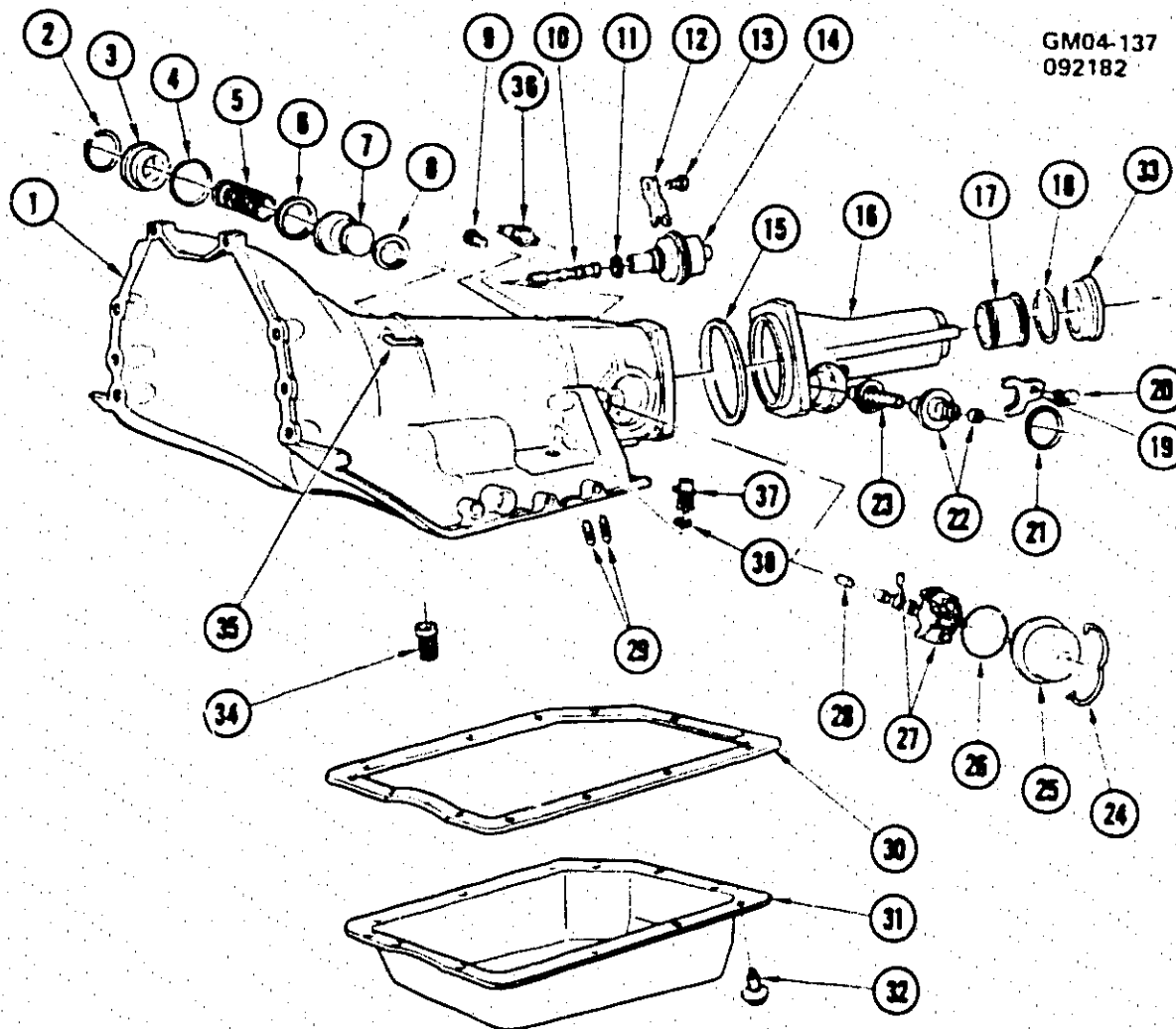
48121A 700 R4

GM04-164

1982 'Y' THM700-R4 TRANSMISSION PARK LOCK (MD8)

N 17	Check Parts Catalog to Verify Part Number Usages	0.000
E 9	701. ACTUATOR, Parking Lock	4.290
E 9	702. NUT, Man Shf to I/S Detent Lvr	4.275
E 9	703. LEVER, Inside Detent	4.279
	704. CLIP, Rod End Link to Detent Lever (Part of #705)	N.S.
E 9	705. LINK, Manual Valve	4.279
E 9	706. RETAINER, Manual Shaft	4.275
E 9	707. SHAFT, Manual (Incls #708)	4.275
E 9	708. SEAL, Manual Shaft	4.282
E 9	709. SPRING, Manual Detent	4.275
E 9	710. BRACKET, Parking Lock	4.290
E 9	711. PAWL, Parking Lock	4.294
E 9	712. SHAFT KIT, Parking Pawl Pivot (Incls #713)	4.294
E 9	713. PLUG, Steel Cup (Part of #712)	N.S.
E 9	714. SPRING, Parking Pawl Return	4.295
	715. BOLT, Hex (M8 x 1.25 x 20)	8.900

GM04-137
092182

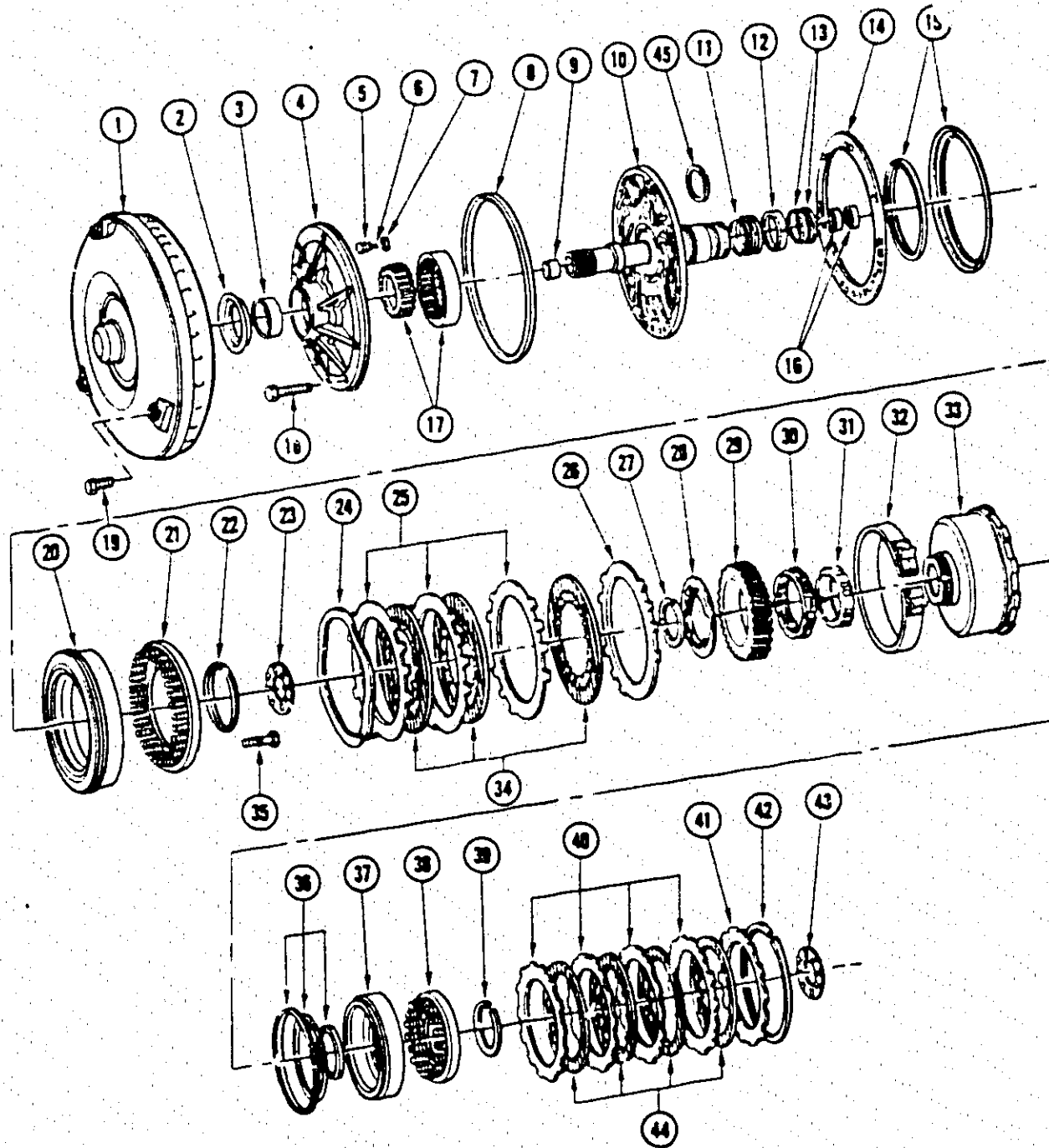


GM04-137

1980-81 TRANSMISSION CASE-EXTENSION-ACCUMULATOR & GOVERNOR PARTS (MV4)

E 9	1. CASE ASM, Trans	4.103	E 9	20. BOLT, Sleeve Retainer	N.S.
E 9	2. RETAINER, Inter Clutch Accum Piston Cover	4.228	E 9	21. SEAL, Speedo Driven Gear Sleeve to Extension	4.338
E 9	3. COVER, Inter Clutch Accum Piston	4.228	E 9	22. SLEEVE, Speedo Driven Gear	4.338
E 9	4. SEAL, Inter Clutch Accum Piston Cover	4.229	E 9	23. GEAR, Speedo Driven	4.337
E 9	5. SPRING, Inter Clutch Accum Piston	4.233	E 9	24. RETAINER, Governor Cover	4.256
E 9	6. RING, Inter Clutch Accum Piston Seal	4.228	E 9	25. COVER, Governor	4.256
E 9	7. PISTON, Inter Clutch Accum (W/Seal)	4.228	E 9	26. SEAL, Governor Cover to Case (Use Loctite sealant #2)	N.S.
E 9	8. RING, Inter Clutch Accum Piston Seal	N.S.	E 9	27. GOVERNOR ASM, Trans	4.256
E 9	9. PLUG, Line Pressure Check	N.S.	E 9	28. PIN, Dowel (5/16" x 1")	N.S.
E 9	10. VALVE, Vacuum Modulator	4.205	E 9	29. SCREEN, Governor Pressure Hole	4.248
E 9	11. SEAL, Vacuum Modulator to Case	4.205	E 9	30. GASKET, Oil Pan	4.196
E 9	12. RETAINER, Vacuum Modulator	4.205	E 9	31. PAN, Oil	4.195
E 9	13. BOLT, (5/16"-18 x 11/16")	8.900	E 9	32. SCREW, Oil Pan	4.196
E 9	14. MODULATOR, Vacuum	4.205	E 9	33. SEAL, Case Extension Oil	4.318
E 9	15. SEAL, Case Extension to Case	4.318	E 9	34. SCREEN, Oil Pump Pressure Hole	4.224
E 9	16. EXTENSION, Trans Case	4.317	E 9	35. PIPE, Trans Vent	4.104
E 9	17. BUSHING, Ext Trans	4.319	E 9	36. SWITCH, 3rd Clutch Pressure (MX2)	4.265
E 9	18. SEAL, Trans Output Yoke Sleeve	4.318	E 9	37. CONNECTOR, Case Elect	4.115
E 9	19. RETAINER, Speedometer Driven Gear Sleeve	4.338	E 9	38. SEAL, Elect Conn (4.338)	4.115

GM04-138
092182



GM04-138

1980-81 THM350C TRANSMISSION CONVERTER-PUMP-INTERMEDIATE & DIRECT CLUTCH PARTS (MV4)

1980-81 THM350C TRANSMISSION CONVERTER-PUMP-INTERMEDIATE & DIRECT CLUTCH PARTS (MV4)

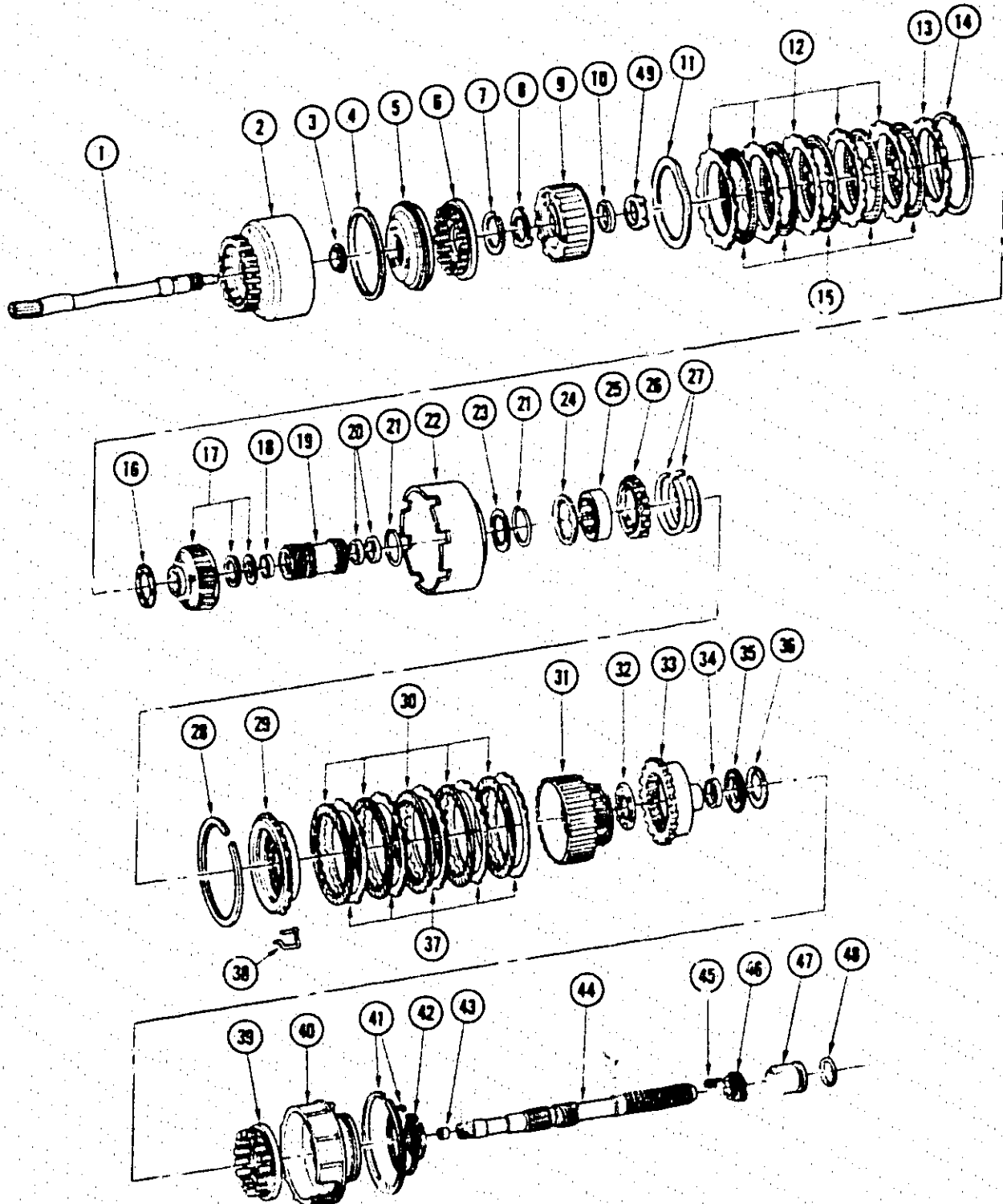
E 9	1. CONVERTER ASM, Trans	4.115
E 9	2. SEAL, Oil Pump to Converter Hub	4.226
E 9	3. BUSHING, Oil Pump Body(* 1)	4.228
E 9	4. BODY ASM, Oil Pump(* 1)	4.224
	5. SPRING, Oil Pump Cooler By-Pass Valve(* 1, 2)	N.S.
	6. BALL, Oil Pump Cooler By-Pass Valve(* 2)	N.S.
	7. SEAT, Oil Pump Cooler By-Pass Valve(* 2)	N.S.
E 9	8. SEAL, Oil Pump to Case	4.226
E 9	9. BUSHING, Oil Pump Stator Shaft-Front(* 3)	4.226
E 9	10. COVER KIT, Oil Pump	4.224
E 9	11. RING, Direct Clutch Drum Oil Seal(* 3)	4.169
E 9	12. BUSHING, Direct Clutch Drum	4.169
E 9	13. RING, Forward Clutch Housing Oil Seal	4.169
E 9	14. GASKET, Oil Pump to Case	4.226
E 9	15. SEAL KIT, Intermediate Clutch Piston	4.166
E 9	16. BUSHING, Oil Pump Stator Shaft-Rear(* 3)	4.226
	17. GEAR, Oil Pump Drive P. Driven(* 1)	N.S.
E 9	18. SCREW, Oil Pump to Case (5/16"-18 x 1 7/16")	4.226
E 9	19. BOLT, Converter to Flywheel	4.115
E 9	20. PISTON, Intermediate Clutch	4.166
E 9	21. SEAT ASM, Intermediate Clutch Piston Return-W/Springs	4.164
E 9	22. SPACER, Oil Pump Thrust Bearing	4.226
E 9	23. BEARING, Direct Clutch Drum to Pump Cover-Thrust	4.164
E 9	24. SPRING, Intermediate Clutch Cushion	4.164
E 9	25. PLATE, Intermediate Clutch Reaction (Steel)	4.163
E 9	26. PLATE, Intermediate Clutch Pressure	4.163
E 9	27. RING, Intermediate Overrun Clutch Retainer-Front	4.168
E 9	28. RETAINER, Intermediate Overrun Clutch	4.167
E 9	29. RACE, Intermediate Overrun Clutch-Outer	4.168
E 9	30. CLUTCH, Intermediate Overrun	4.164
E 9	31. CAM, Intermediate Overrun Clutch	4.167
E 9	32. BAND, Intermediate Overrun Clutch Brake	4.251
E 9	33. DRUM, Direct Clutch	4.169
E 9	34. PLATE, Intermediate Clutch Drive (Faced)	4.163
E 9	35. BOLT, Pump Cover to Body (5/16"-18 x 1 1/2" Hex-Lock)	N.S.
E 9	36. SEAL KIT, Direct Clutch Piston	4.166
E 9	37. PISTON, Direct Clutch	4.166
E 9	38. SEAT ASM, Direct Clutch Piston Return-W/Springs	4.164
E 9	39. RING, Direct Clutch Return Spring Seat Ret	4.164
E 9	40. PLATE, Direct Clutch Driven (Steel)	4.163
E 9	41. PLATE, Direct Clutch Pressure (Steel)	4.163
E 9	42. RING, Direct Clutch Pressure Plate	4.167
E 9	43. BEARING, Direct Clutch Drum Thrust-Rear	4.164
E 9	44. PLATE, Direct Clutch Drive (Faced)	4.163
E 9	45. RING, Oil Pump Cvr Steady Rest	4.224

NOTE 1: Included in BODY ASM-4.224.

NOTE 2: Included in VALVE KIT-4.216.

NOTE 3: Included in COVER KIT-4.224.

GM04-139
092182



GM04-139

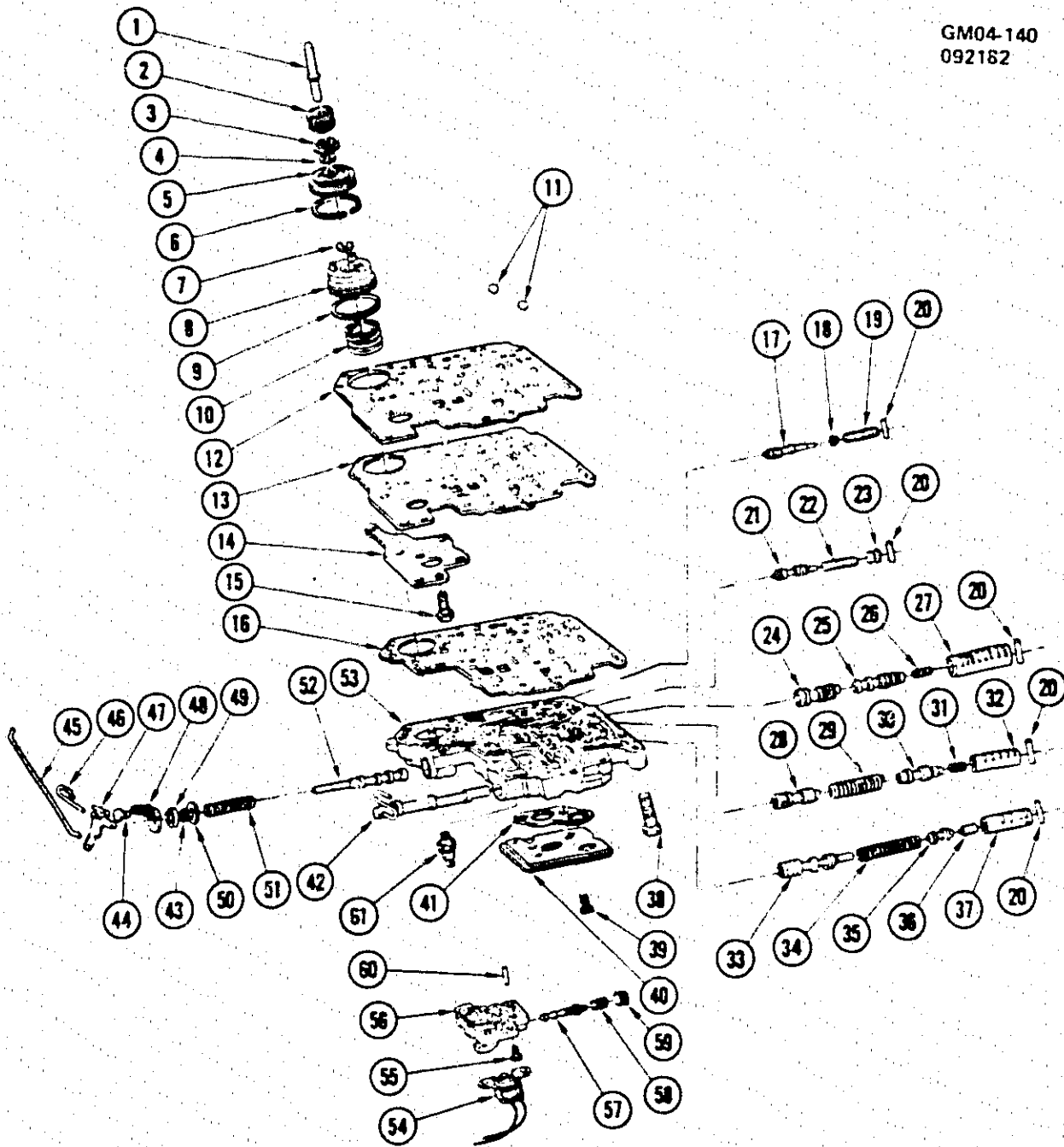
1980-81 THM350C TRANSMISSION INTERNAL COMPONENTS (MV4)

1980-81 THM350C TRANSMISSION INTERNAL COMPONENTS (MV4)

E 9	1. SHAFT, Trans Input	4.123
E 9	2. HOUSING, Forward Clutch	4.169
	3. SEAL, Forward Clutch Piston-Inner(* 1)	N.S.
	4. SEAL, Forward Clutch Piston-Outer(* 1)	N.S.
E 9	5. PISTON, Forward Clutch	4.166
E 9	6. SEAT ASM, Forward Clutch Piston-W/Springs	4.164
E 9	7. RING, Forward Clutch Piston Return Spring Seat Retainer	4.164
E 9	8. WASHER, Input Ring Gear Thrust-Front	4.158
E 9	9. GEAR, Input Ring	4.158
E 9	10. BUSHING, Input Ring Gear	4.158
E 9	11. SPRING, Forward Clutch Piston Cushion	4.164
E 9	12. PLATE, Forward Clutch Drive (Steel)	4.163
E 9	13. PLATE, Forward Clutch Pressure (Steel)	4.163
E 9	14. RING, Forward Clutch Pressure Plate Retainer	4.167
E 9	15. PLATE, Forward Clutch Driven (Faced)	4.163
E 9	16. BEARING, Output Carrier	4.176
E 9	17. CARRIER ASM, Output	4.175
E 9	18. BUSHING, Reaction Carrier Planet	4.173
E 9	19. GEAR, Sun	4.159
E 9	20. BUSHING, Sun Gear to Output Shaft	4.176
E 9	21. RING, Sun Gear Drive Shell Retainer	4.176
E 9	22. SHELL, Sun Gear Drive	4.175
E 9	23. WASHER, Sun Gear Thrust	4.176
E 9	24. WASHER, Sun Gear Shell Rear Thrust	4.176
E 9	25. RACE, Low & Reverse Overrun Clutch	4.180
E 9	26. CLUTCH, Low & Reverse Overrun	4.180
E 9	27. RING, Low & Reverse Clutch to Cam Retainer	4.180
E 9	28. RING, Low & Reverse Clutch Supt to Case	4.180
E 9	29. SUPPORT ASM, Low & Reverse Clutch	4.162
E 9	30. PLATE, Low & Reverse Clutch Drive (Faced)	4.163
E 9	31. CARRIER, Reaction Planet	4.175
E 9	32. BEARING, Output Ring Gear Thrust-Front	4.176
E 9	33. BEARING KIT, Output Ring Gear & Bearing	4.187
E 9	34. BUSHING, Case to Output Shaft	4.104
E 9	35. BEARING, Output Ring Gear Rr Thrust	4.176
E 9	36. RING, Low & Reverse Clutch Piston Return Spring Seat Ret	4.164
E 9	37. PLATE, Low & Reverse Clutch Reaction (Steel)	4.163
E 9	38. SPRING, Low & Reverse Clutch Support Retainer	4.180
E 9	39. SEAT ASM, Low & Reverse Clutch Piston Return-W/Springs	4.164
E 9	40. PISTON, Low & Reverse Clutch	4.166
E 9	41. SEAL KIT, Low & Reverse Clutch Piston	4.166
E 9	42. RING, Output Carrier Retainer to Output Shaft	4.176
E 9	43. BUSHING, Output Shaft	4.176
E 9	44. SHAFT ASM, Output	4.175
E 9	45. CLIP, Speedometer Drive Gear to Output Shaft	4.345
E 9	46. GEAR, Speedometer Drive	4.343
E 9	47. SLEEVE, Trans Output Yoke (TRUCK Only)	4.318
E 9	48. SEAL, Output Yoke Sleeve (TRUCK Only)	4.318
E 9	49. WASHER, Input Ring Gear Rr Thrust	4.158

NOTE 1: Included in SEAL KIT-4.166.

GM04-140
092162

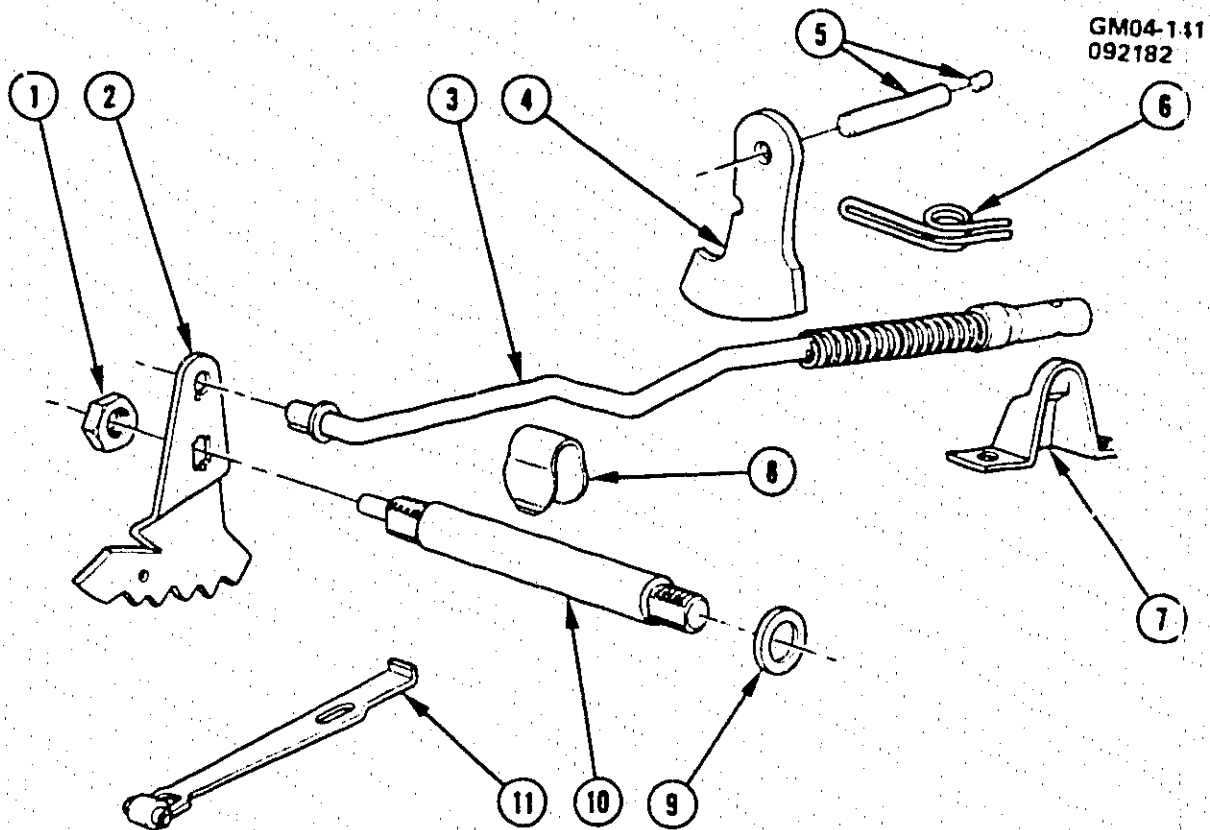


GM04-140

1980-81 THM350C TRANSMISSION VALVE BODY (MV4)

1980-81 THM350C TRANSMISSION VALVE BODY (MV4)

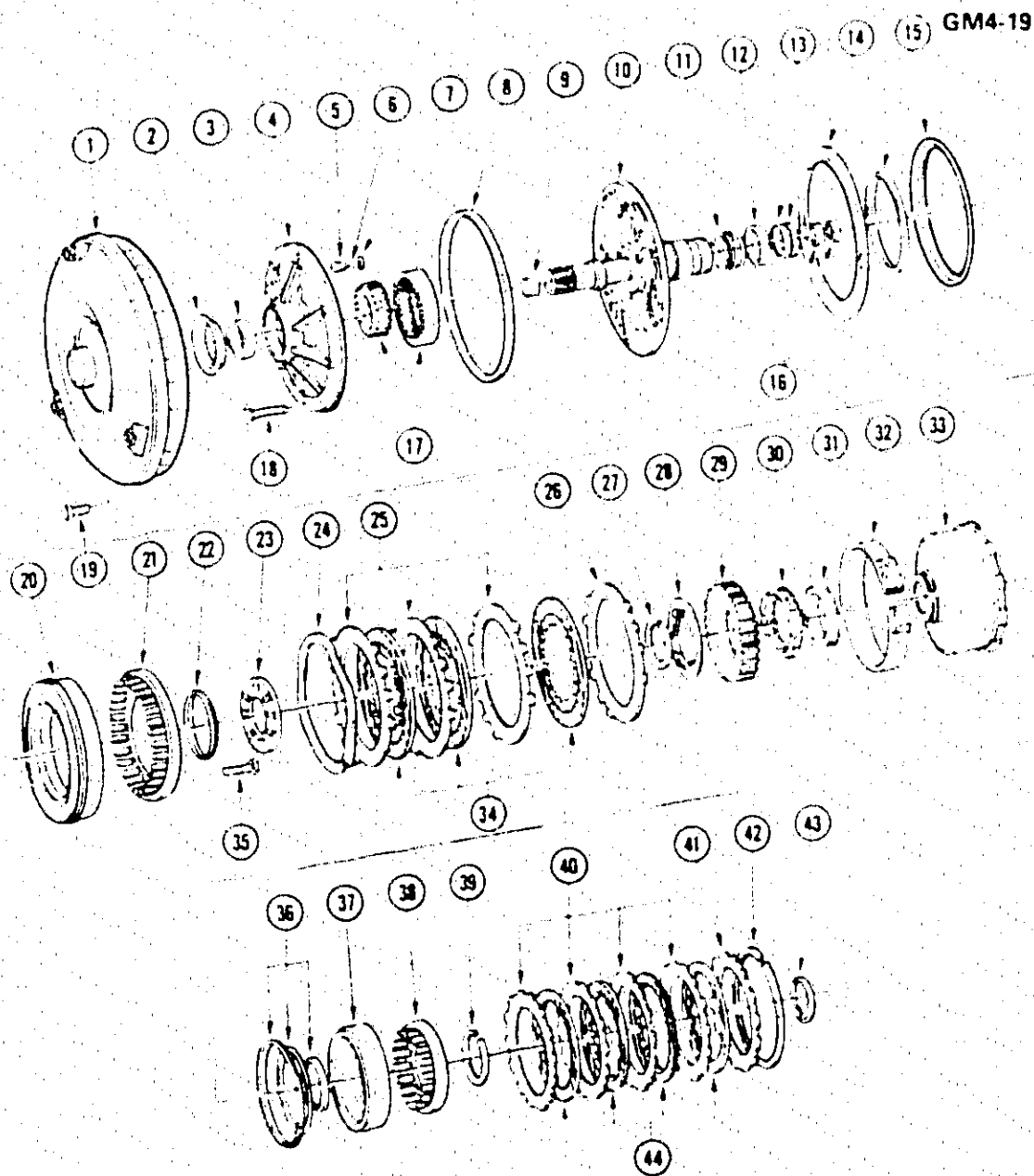
E 9	ROD, Intermediate Servo Apply	4.228
E 9	SPRING, Intermediate Servo Piston	4.233
E 9	3. SEAT, Intermediate Servo Piston Spring	4.233
E 9	4. WASHER, Intermediate Servo Piston	4.228
E 9	5. PISTON, Intermediate Servo	4.228
E 9	6. SEAL, Intermediate Servo Piston	4.229
E 9	7. RING, Direct Clutch Accumulator Piston Retainer	4.229
E 9	8. PISTON, Direct Clutch Accumulator	4.228
E 9	9. SEAL, Direct Clutch Accumulator Piston	4.229
E 9	10. SPRING, Direct Clutch Accumulator Piston	4.233
E 9	11. BALL, Check Valve	4.265
E 9	12. GASKET, Valve Body-Upper	4.265
E 9	13. PLATE, Valve Body Spacer	4.265
E 9	14. SUPPORT, Valve Body Spacer Plate	4.265
E 9	15. BOLT, Support to Case (5/16"-18 x 3/4")	N.S.
E 9	16. GASKET, Valve Body-Lower	4.265
	17. VALVE, Detent Regulator	N.S.
	18. SEAT, Detent Regulator Valve Spring	N.S.
	19. SPRING, Detent Regulator Valve	N.S.
	20. PIN, Detent Regulator Valve Retainer	N.S.
	21. VALVE, Manual Low Control	N.S.
	22. SPRING, Manual Low Control Valve	N.S.
E 9	23. PLUG, Manual Low Control Valve	4.265
	24. VALVE, 1-2 Shift	N.S.
	25. VALVE, 1-2 Shift Control	N.S.
	26. SPRING, 1-2 Shift Control Valve	N.S.
	27. SLEEVE, 1-2 Shift Control Valve	N.S.
	28. VALVE, 2-3 Shift	N.S.
	29. SPRING, 2-3 Shift Valve	N.S.
	30. VALVE, 2-3 Shift Control	N.S.
	31. SPRING, 2-3 Shift Control Valve	N.S.
	32. SLEEVE, 2-3 Shift Control Valve	N.S.
	33. VALVE, Pressure Regulator	N.S.
	34. SPRING, Pressure Regulator Valve	N.S.
	35. VALVE, Modulator & Reverse Boost Valve	N.S.
	36. VALVE, Intermediate Boost Valve	N.S.
	37. SLEEVE, Modulator & Reverse Boost Valve	N.S.
	38. BOLT, Valve Body to Case (5/16"-18 x 1 3/4")	N.S.
	39. BOLT, Oil Pump Filter to Body (1/4"-20 x 3/8")	N.S.
E 9	40. SCREEN KIT, W/Filter	4.197
E 9	41. GASKET, Oil Pump Filter	4.197
E 9	42. VALVE ASM, Manual	4.265
	43. RETAINER, Detent Valve Spring	N.S.
	44. BOLT, Detent Lever Brkt to Body (1/4"-20 x 7/16")	N.S.
E 9	45. WIRE, Detent Valve Control	4.275
E 9	46. PIN, Detent Valve Actuating Lever	4.275
E 9	47. LEVER, Detent Valve Actuating	4.279
E 9	48. BRACKET, Detent Valve Actuating Lever	4.275
	49. STOP, Detent Valve	N.S.
	50. SEAT, Detent Valve Spring	N.S.
	51. SPRING, Detent Valve	N.S.
	52. VALVE, Detent	N.S.
E 9	53. BODY, Valve	4.265
E 9	54. Solenoid	4.122
	55. BOLT, Hex (5/16"-18 X 1 1/8")	8.900
E 9	56. VALVE, Aux Cont	4.265
	57. VALVE, Conv Clu Cont	N.S.
	58. SPRING, Conv Clu Cont Vlv	N.S.
	59. PLUG, Conv Clu Cont Vlv	N.S.
E 9	60. PIN, Ret (7/64" X 7/8")	4.115
E 9	61. SWITCH, Gov Press	4.265



GM04-141

1980-81 MV4 TRANSMISSION PARKING LOCK & RANGE SELECTOR PARTS(THM350C)

	1.	NUT, Hex (3/8"-16)	8.91E
E 9	2.	LEVER, Parking Lock and Range Selector-Inner	4.27E
E 9	3.	ACTUATOR ASM, Parking Lock	4.29C
E 9	4.	PAWL, Parking Lock	4.294
E 9	5.	SHAFT KIT, Parking Lock Pawl-W/Plug	4.294
E 9	6.	SPRING, Parking Lock Pawl Disengaging	4.29E
E 9	7.	BRACKET, Parking Lock and Range Selector Shaft	4.29C
E 9	8.	RETAINER, Parking Lock and Range Selector Shaft	4.29C
E 9	9.	SEAL, Range Selector Shaft Oil	4.282
E 9	10.	SHAFT KIT, W/Plug Park Brk Pawl	4.294
E 9	11.	SPRING, Detent	4.27E



GM4-19

**1976-80 TRANSMISSION CONVERTER PUMP, INTERMEDIATE & DIRECT CLUTCH PARTS
(M33/M38)**

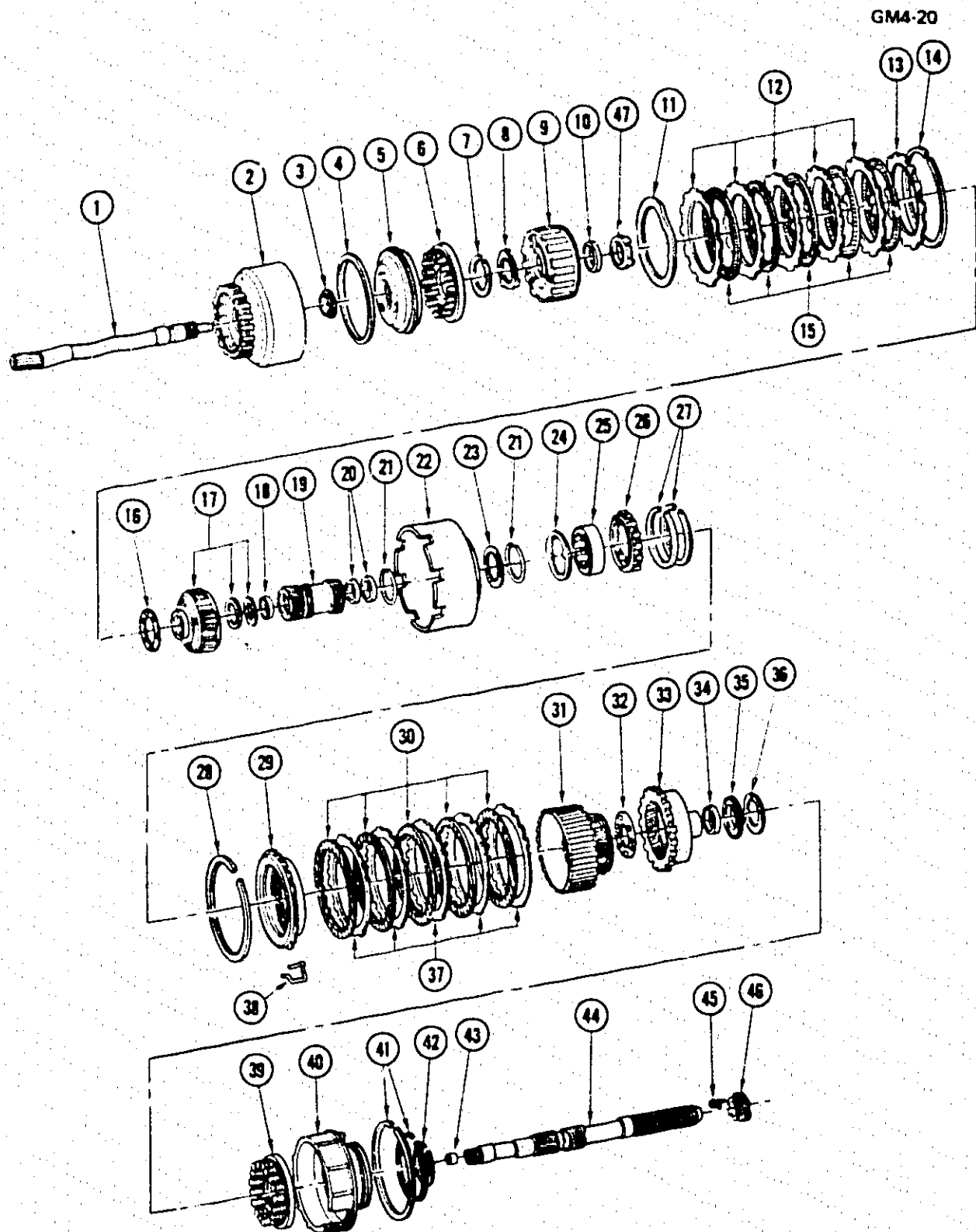
1976-80 TRANSMISSION CONVERTER PUMP, INTERMEDIATE & DIRECT CLUTCH PARTS (M33/M38)

E 9	1. CONVERTER ASM, Trans	4.115
E 9	2. SEAL, Oil Pump to Converter Hub	4.226
E 9	3. BUSHING, Oil Pump Body(* 1)	4.226
E 9	4. BODY ASM, Oil Pump(* 1)	4.224
	5. SPRING, Oil Pump Cooler By Pass Valve(* 1, 2)	N.S.
	6. BALL, Oil Pump Cooler By-Pass Valve(* 2)	N.S.
	7. SEAT, Oil Pump Cooler By-Pass Valve(* 2)	N.S.
F 9	8. SEAL, Oil Pump to Case	4.226
E 9	9. BUSHING, Oil Pump Stator Shaft-Front(* 3)	4.226
E 9	10. COVER KIT, Oil Pump	4.224
E 9	11. RING, Direct Clutch Drum Oil Seal(* 3)	4.169
E 9	12. BUSHING, Direct Clutch Drum	4.169
E 9	13. RING, Forward Clutch Housing Oil Seal	4.169
E 9	14. GASKET, Oil Pump to Case	4.226
E 9	15. SEAL KIT, Intermediate Clutch Piston	4.166
E 9	16. BUSHING, Oil Pump Stator Shaft-Rear(* 3)	4.226
	17. GEAR, Oil Pump Drive & Driven(* 1)	N.S.
E 9	18. SCREW, Oil Pump to Case (5/16"-18 x 1 7/16")	4.226
E 9	19. BOLT, Converter to Flywheel	4.115
E 9	20. PISTON, Intermediate Clutch	4.166
E 9	21. SEAT ASM, Intermediate Clutch Piston Return-W/Springs	4.164
E 9	22. SPACER, Oil Pump Thrust Bearing	4.226
E 9	23. BEARING, Direct Clutch Drum to Pump Cover-Thrust	4.164
E 9	24. SPRING, Intermediate Clutch Cushion	4.164
E 9	25. PLATE, Intermediate Clutch Reaction (Steel)	4.163
E 9	26. PLATE, Intermediate Clutch Pressure	4.163
E 9	27. RING, Intermediate Overrun Clutch Retainer-Front	4.168
E 9	28. RETAINER, Intermediate Overrun Clutch	4.167
E 9	29. RACE, Intermediate Overrun Clutch-Outer	4.168
E 9	30. CLUTCH, Intermediate Overrun	4.164
E 9	31. CAM, Intermediate Overrun Clutch	4.167
E 9	32. BAND, Intermediate Overrun Clutch Brake	4.251
E 9	33. DRUM, Direct Clutch	4.169
E 9	34. PLATE, Intermediate Clutch Drive (Faced)	4.163
	35. BOLT, Pump Cover to Body (5/16"-18 x 1 1/2" Hex-Lock)	N.S.
E 9	36. SEAL KIT, Direct Clutch Piston	4.166
E 9	37. PISTON, Direct Clutch	4.166
E 9	38. SEAT ASM, Direct Clutch Piston Return-W/Springs	4.164
E 9	39. RING, Direct Clutch Return Spring Seat Ret	4.164
E 9	40. PLATE, Direct Clutch Driven (Steel)	4.163
E 9	41. PLATE, Direct Clutch Pressure (Steel)	4.163
E 9	42. RING, Direct Clutch Pressure Plate	4.167
E 9	43. BEARING, Direct Clutch Drum Thrust-Rear	4.164
E 9	44. PLATE, Direct Clutch Drive (Faced)	4.163

NOTE 1: Included in BODY ASM-4.224

NOTE 2: Included in VALVE KIT-4.216

NOTE 3: Included in COVER KIT-4.224



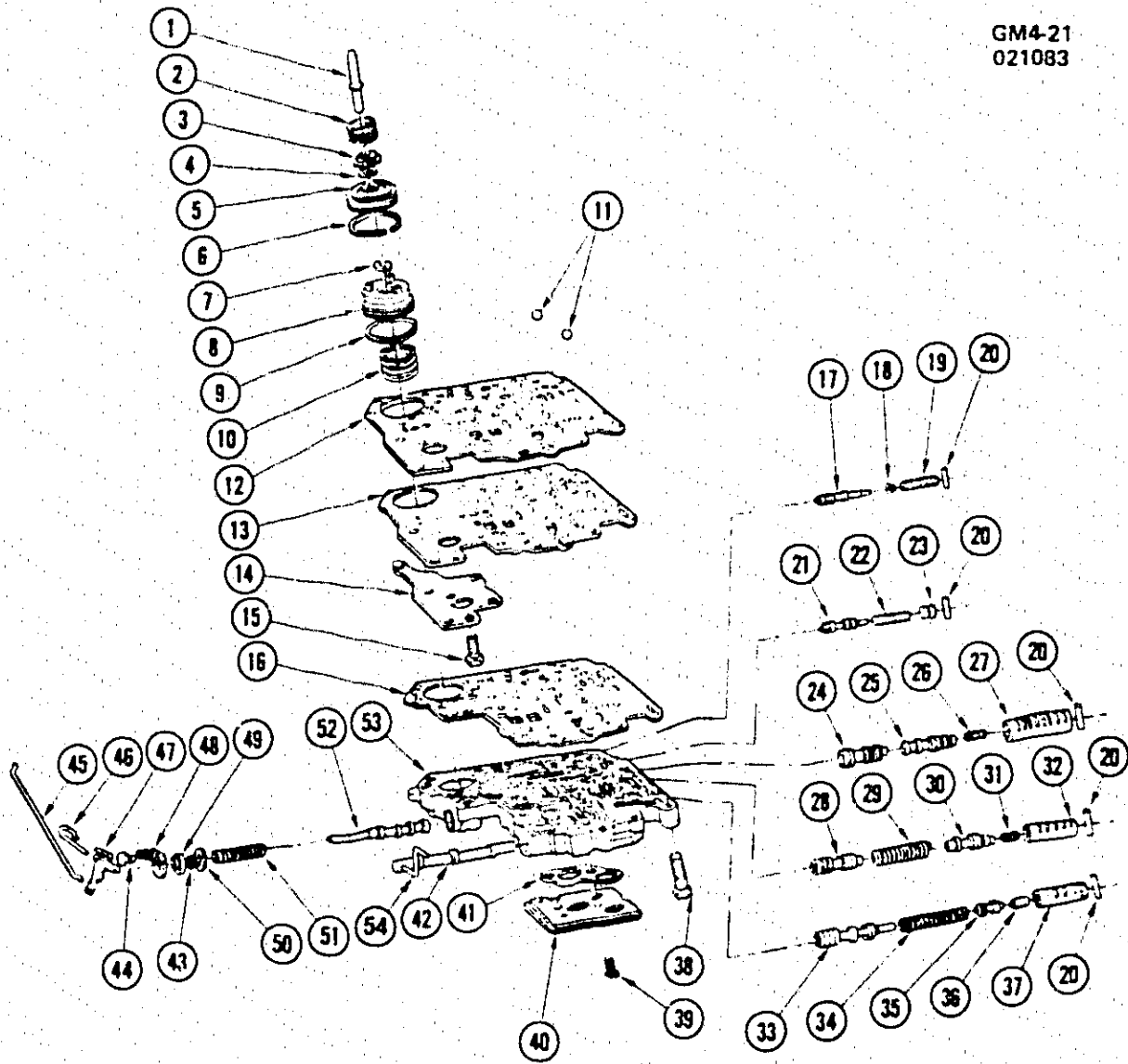
GM4-20

1976-80 M38/M31/M33 TRANSMISSION INTERNAL COMPONENTS

1976-80 M38/M31/M33 TRANSMISSION INTERNAL COMPONENTS

E 9	1.	SHAFT, Trans Input	4.123
E 9	2.	HOUSING, Forward Clutch	4.169
	3.	SEAL, Forward Clutch Piston-Inner(* 1)	N.S.
	4.	SEAL, Forward Clutch Piston-Outer(* 1)	N.S.
E 9	5.	PISTON, Forward Clutch	4.166
E 9	6.	SEAT ASM, Forward Clutch Piston-W/Springs	4.164
E 9	7.	RING, Forward Clutch Piston Return Spring Seat Retainer	4.164
E 9	8.	WASHER, Input Ring Gear Thrust-Front	4.158
E 9	9.	GEAR, Input Ring	4.158
E 9	10.	BUSHING, Input Ring Gear	4.158
E 9	11.	SPRING, Forward Clutch Piston Cushion	4.164
E 9	12.	PLATE, Forward Clutch Drive (Steel)	4.163
E 9	13.	PLATE, Forward Clutch Pressure (Steel)	4.163
E 9	14.	RING, Forward Clutch Pressure Plate Retainer	4.167
E 9	15.	PLATE, Forward Clutch Driven (Faced)	4.163
E 9	16.	BEARING, Output Carrier	4.176
E 9	17.	CARRIER ASM, Output	4.175
E 9	18.	BUSHING, Reaction Carrier Planet	4.176
E 9	19.	GEAR, Sun	4.159
E 9	20.	BUSHING, Sun Gear to Output Shaft	4.176
E 9	21.	RING, Sun Gear Drive Shell Retainer	4.176
E 9	22.	SHELL, Sun Gear Drive	4.175
E 9	23.	WASHER, Sun Gear Thrust	4.176
E 9	24.	WASHER, Sun Gear Shell Rear Thrust	4.176
E 9	25.	RACE, Low & Reverse Overrun-Clutch	4.180
E 9	26.	CLUTCH, Low & Reverse Overrun	4.180
E 9	27.	RING, Low & Reverse Clutch to Cam Retainer	4.180
E 9	28.	RING, Low & Reverse Clutch Supt to Case	4.180
E 9	29.	SUPPORT ASM, Low & Reverse Clutch	4.182
E 9	30.	PLATE, Low & Reverse Clutch Drive (Faced)	4.163
E 9	31.	CARRIER, Reaction Planet	4.175
E 9	32.	BEARING, Output Ring Gear Thrust-Front	4.176
E 9	33.	BEARING KIT, Output Ring Gear & Bearing	4.187
E 9	34.	BUSHING, Case to Output Shaft	4.104
E 9	35.	BEARING, Output Ring Gear Rr Thrust	4.176
E 9	36.	RING, Low & Reverse Clutch Piston Return Spring Seat Ret	4.164
E 9	37.	PLATE, Low & Reverse Clutch Reaction (Steel)	4.163
E 9	38.	SPRING, Low & Reverse Clutch Support Retainer	4.180
E 9	39.	SEAT ASM, Low & Reverse Clutch Piston Return-W/Springs	4.164
E 9	40.	PISTON, Low & Reverse Clutch	4.166
E 9	41.	SEAL KIT, Low & Reverse Clutch Piston	4.166
E 9	42.	RING, Output Carrier Retainer to Output Shaft	4.176
E 9	43.	BUSHING, Output Shaft	4.176
E 9	44.	SHAFT ASM, Output	4.175
E 9	45.	CLIP, Speedometer Drive Gear to Output Shaft	4.345
E 9	46.	GEAR, Speedometer Drive	4.343
E 9	47.	WASHER, Input Ring Gear Rr Thrust	4.158

NOTE 1: Included in SEAL KIT-4.166.



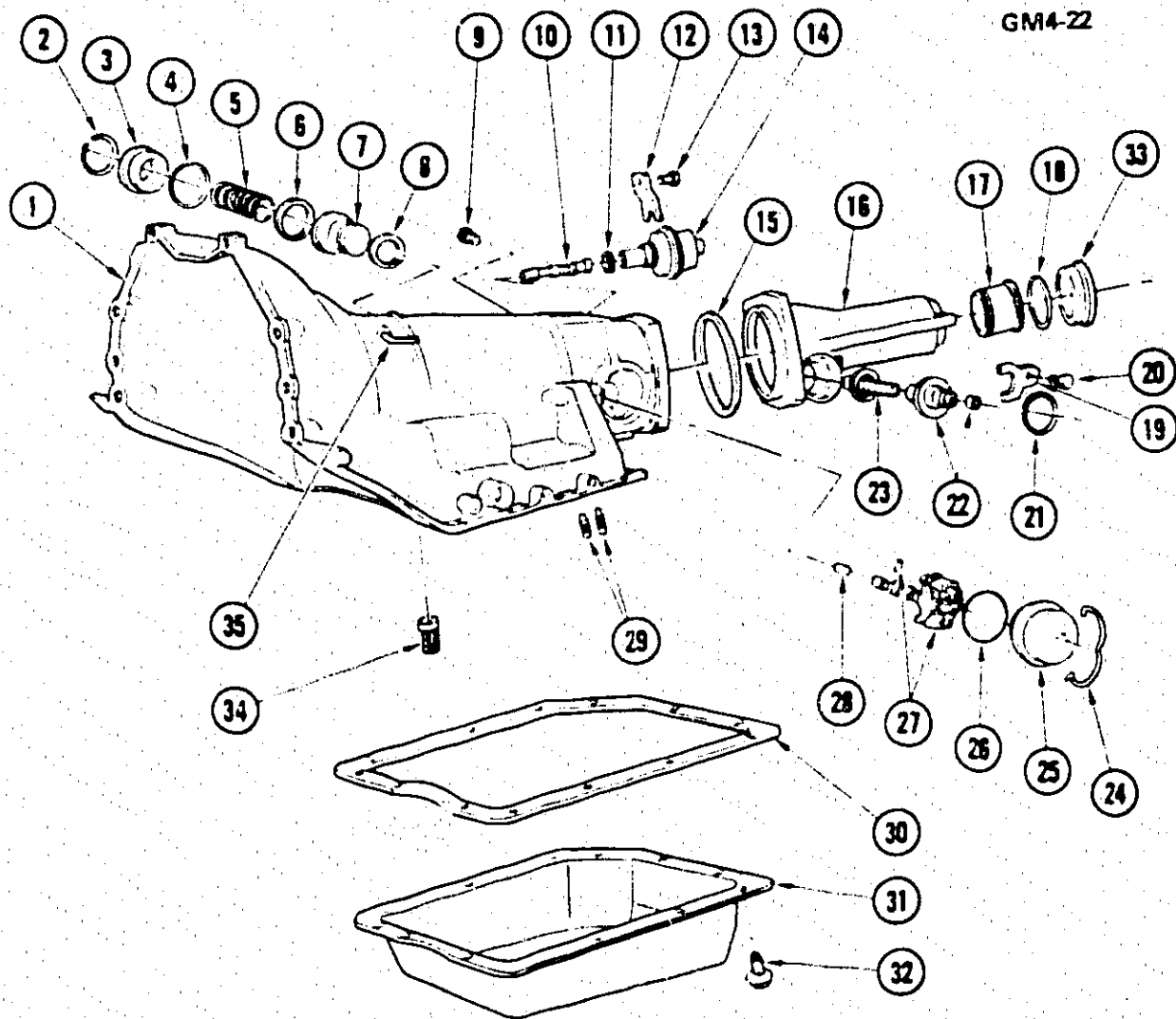
GM4-21
021083

GM4-21

1976-80 TRANSMISSION CONTROL VALVE (M33/M34)

1976-80 TRANSMISSION CONTROL VALVE (M33/M38)

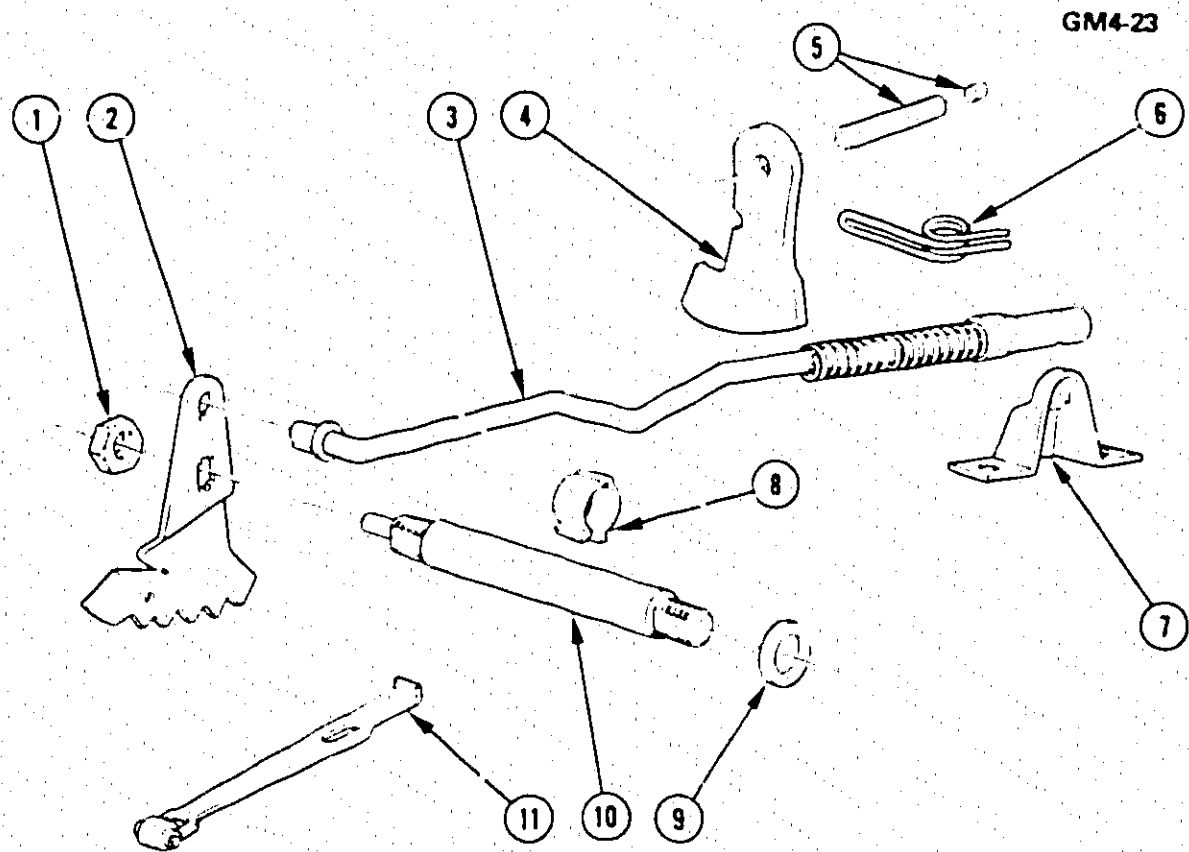
E	9	1. ROD, Intermediate Servo Apply	4.228
E	9	2. SPRING, Intermediate Servo Piston	4.233
E	9	3. SEAT, Intermediate Servo Piston Spring	4.233
E	9	4. WASHER, Intermediate Servo Piston	4.228
E	9	5. PISTON, Intermediate Servo	4.228
E	9	6. SEAL, Intermediate Servo Piston	4.229
E	9	7. RING, Direct Clutch Accumulator Piston Retainer	4.229
E	9	8. PISTON, Direct Clutch Accumulator	4.228
E	9	9. SEAL, Direct Clutch Accumulator Piston	4.229
E	9	10. SPRING, Direct Clutch Accumulator Piston	4.233
E	9	11. BALL, Check Valve	4.265
E	9	12. GASKET, Valve Body-Upper	4.265
E	9	13. PLATE, Valve Body Spacer	4.265
E	9	14. SUPPORT, Valve Body Spacer Plate	4.265
E	9	15. BOLT, Support to Case (5/16"-18 x 3/4")	N.S.
E	9	16. GASKET, Valve Body-Lower	4.265
		17. VALVE, Detent Regulator	N.S.
		18. SEAT, Detent Regulator Valve Spring	N.S.
		19. SPRING, Detent Regulator Valve	N.S.
		20. PIN, Detent Regulator Valve Retainer	N.S.
		21. VALVE, Manual Low Control	N.S.
		22. SPRING, Manual Low Control Valve	N.S.
E	9	23. PLUG, Manual Low Control Valve	4.265
		24. VALVE, 1-2 Shift	N.S.
		25. VALVE, 1-2 Shift Control	N.S.
		26. SPRING, 1-2 Shift Control Valve	N.S.
		27. SLEEVE, 1-2 Shift Control Valve	N.S.
		28. VALVE, 2-3 Shift	N.S.
		29. SPRING, 2-3 Shift Valve	N.S.
		30. VALVE, 2-3 Shift Control	N.S.
		31. SPRING, 2-3 Shift Control Valve	N.S.
		32. SLEEVE, 2-3 Shift Control Valve	N.S.
		33. VALVE, Pressure Regulator	N.S.
		34. SPRING, Pressure Regulator Valve	N.S.
		35. VALVE, Modulator & Reverse Boost Valve	N.S.
		36. VALVE, Intermediate Boost Valve	N.S.
		37. GLEEVE, Modulator & Reverse Boost Valve	N.S.
		38. BOLT, Valve Body to Case (5/16"-18 x 1 3/4")	N.S.
		39. BOLT, Oil Pump Filter to Body (1/4"-20 x 3/8")	N.S.
E	9	40. SCREEN KIT, W/Filter	4.197
E	9	41. GASKET, Oil Pump Filter	4.197
E	9	42. VALVE ASM, Manual	4.265
		43. RETAINER, Detent Valve Spring	N.S.
		44. BOLT, Detent Lever Brkt to Body (1/4"-20 x 7/16")	N.S.
E	9	45. WIRE, Detent Valve Control	4.275
E	9	46. PIN, Detent Valve Actuating Lever	4.275
E	9	47. LEVER, Detent Valve Actuating	4.279
E	9	48. BRACKET, Detent Valve Actuating Lever	4.275
		49. STOP, Detent Valve	N.S.
		50. SEAT, Detent Valve Spring	N.S.
		51. SPRING, Detent Valve	N.S.
		52. VALVE, Detent	N.S.
E	9	53. BODY, Valve	4.265
E	9	54. LINK, Manual Valve Control	4.275



GM4-22

1976-80 TRANSMISSION CASE, EXTENSION, ACCUMULATOR & GOVERNOR PARTS (M33/M38)

E 9	1. CASE ASM, Trans	4.103	E 9	19. RETAINER, Speedometer Driven Gear Sleeve	4.338
E 9	2. RETAINER, Inter Clutch Accum Piston Cover	4.228	E 9	20. BOLT, Sleeve Retainer	N.S.
E 9	3. COVER, Inter Clutch Accum Piston	4.228	E 9	21. SEAL, Speedo Driven Gear Sleeve to Extension	4.338
E 9	4. SEAL, Inter Clutch Accum Piston Cover	4.229	E 9	22. SLEEVE, Speedo Driven Gear	4.338
E 9	5. SPRING, Inter Clutch Accum Piston	4.233	E 9	23. GEAR, Speedo Driven	4.337
E 9	6. RING, Inter Clutch Accum Piston Seal	4.228	E 9	24. RETAINER, Governor Cover	4.256
E 9	7. PISTON, Inter Clutch Accum (W/Seal)	4.228	E 9	25. COVER, Governor	4.256
E 9	8. RING, Inter Clutch Accum Piston Seal	N.S.	E 9	26. SEAL, Governor Cover to Case	4.256
E 9	9. PLUG, Line Pressure Check	N.S.	E 9	27. GOVERNOR ASM, Trans	4.256
E 9	10. VALVE, Vacuum Modulator	4.205	E 9	28. PIN, Dowel (5/16" x 1")	N.S.
E 9	11. SEAL, Vacuum Modulator to Case	4.205	E 9	29. SCREEN, Governor Pressure Hole	4.248
E 9	12. RETAINER, Vacuum Modulator	4.205	E 9	30. GASKET, Oil Pan	4.196
E 9	13. BOLT, (5/16"-18 x 1 1/16")	8.900	E 9	31. PAN, Oil	4.195
E 9	14. MODULATOR, Vacuum	4.205	E 9	32. SCREW, Oil Pan	4.196
E 9	15. SEAL, Case Extension to Case	4.318	E 9	33. SEAL, Case Extension Oil	4.318
E 9	16. EXTENSION, Trans Case	4.317	E 9	34. SCREEN, Oil Pump Pressure Hole	4.224
E 9	17. PUSHING, Ext Trans	4.319	E 9	35. PIPE, Trans Vent	4.104
E 9	18. SEAL, Trans Output Yoke Sleeve	4.318			

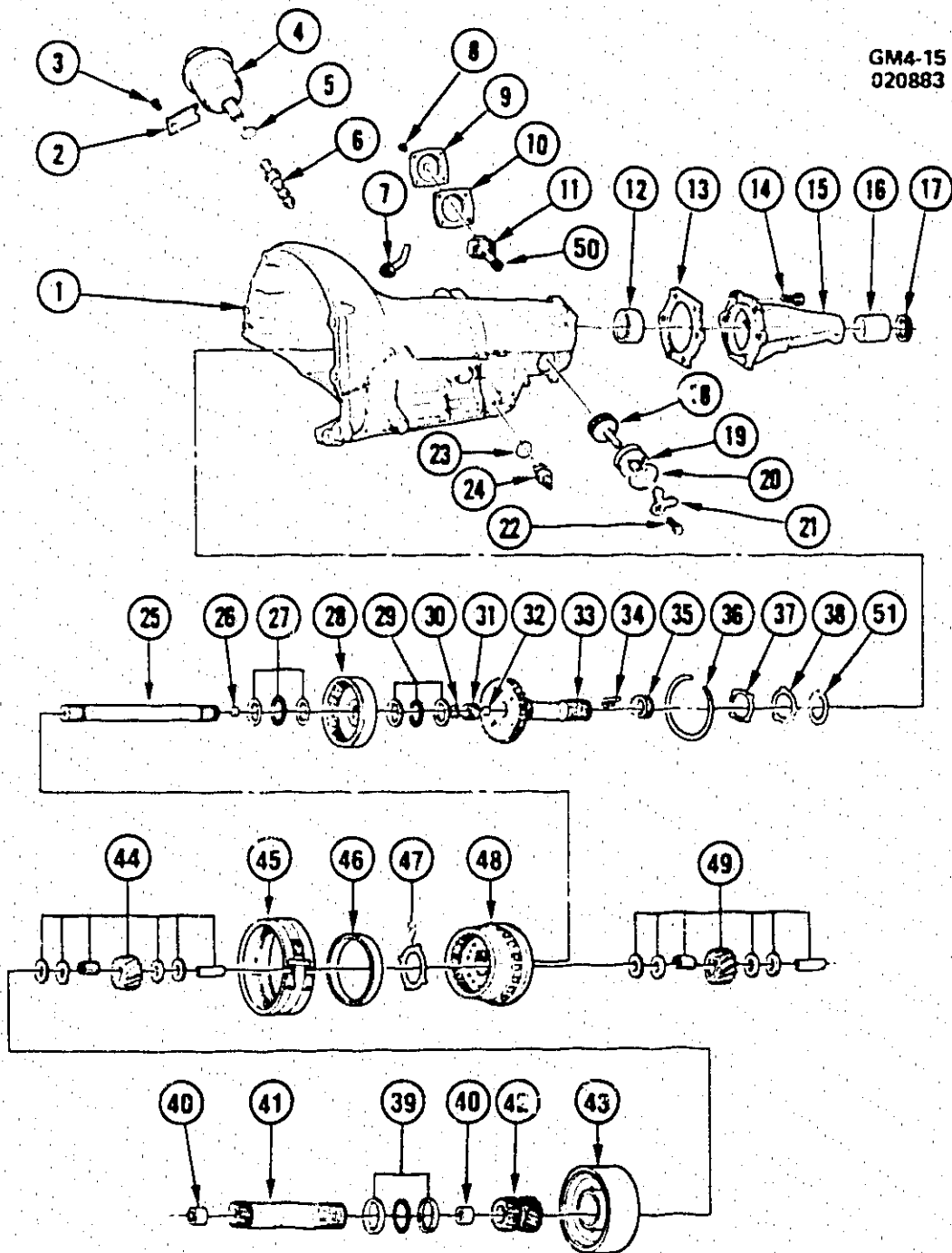


GM4-23

GM4-23

1976-80 TRANSMISSION PARKING LOCK & RANGE SELECTOR PARTS (M33/M'38)

	1. NUT, Hex (3/8"-16)	8.915
E 9	2. LEVER, Parking Lock and Range Selector-Inner	4.279
E 9	3. ACTUATOR ASM, Parking Lock	4.290
E 9	4. PAWL, Parking Lock	4.294
E 9	5. SHAFT KIT, Parking Lock Pawl-W/Plug	4.294
E 9	6. SPRING, Parking Lock Pawl Disengaging	1.295
E 9	7. BRACKET, Parking Lock and Range Selector Shaft	4.290
E 9	8. RING, Parking Lock and Range Selector Shaft	4.290
E 9	9. SEAL, Range Selector Shaft Oil	4.282
E 9	10. SHAFT KIT, W/Plug Park Brk Pawl	4.234
E 9	11. SPRING, Detent	4.275



GM4-15
020883

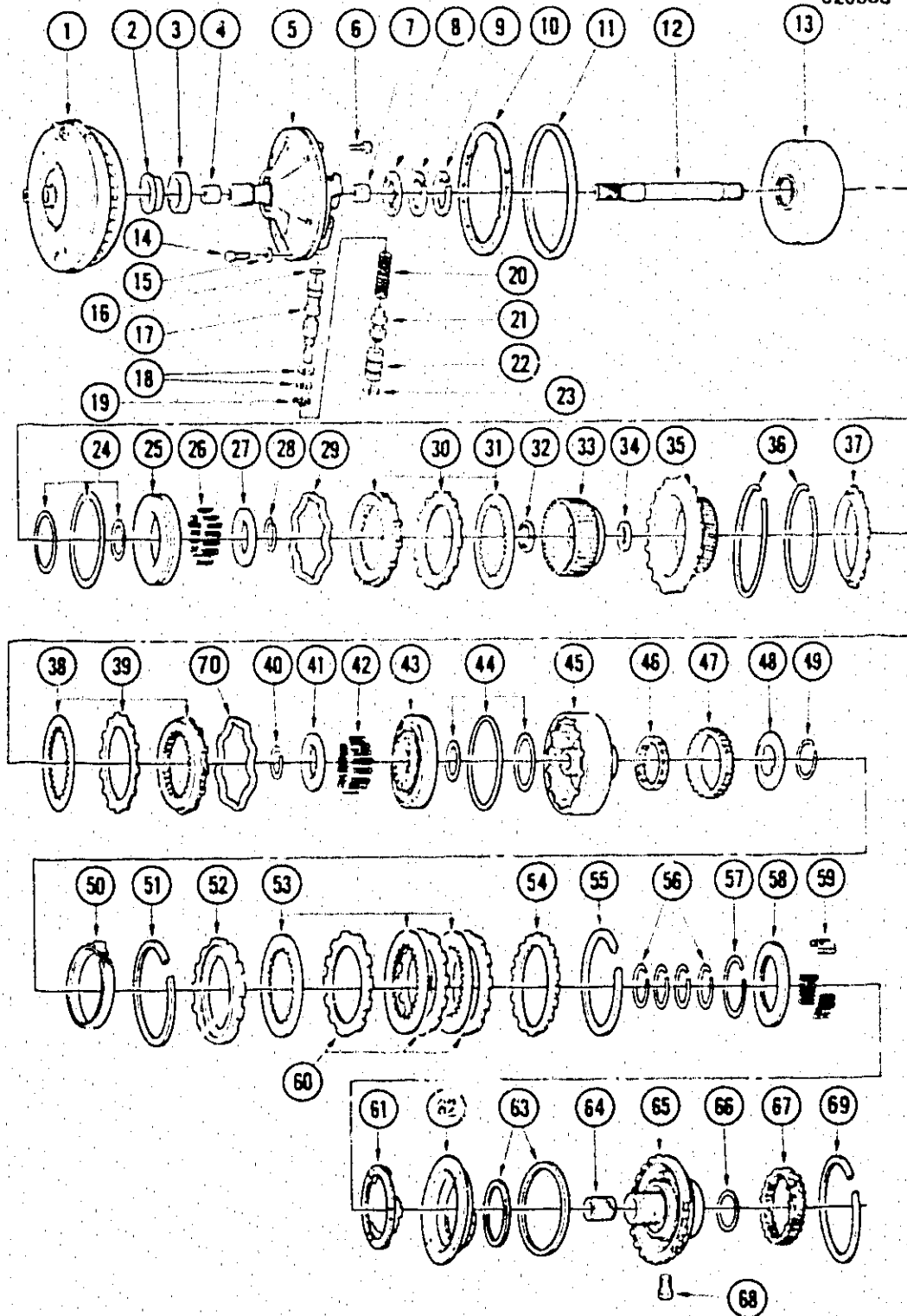
GM4-15

1968-77 TRANSMISSION CASE, EXTENSION & PLANET CARRIER PARTS (M40)

1968-77 TRANSMISSION CASE, EXTENSION & PLANET CARRIER PARTS (M40)

E	9	1. CASE ASM, Trans	4.103
E	9	2. RETAINER, Vac Mod	4.205
		3. BOLT, Hex (5/16"-18 x 9/16")	8.900
E	9	4. MODULATOR ASM, Vac	4.205
E	9	5. SEAL, Vac Mod	4.205
E	9	6. VALVE, Vac Mod	4.205
E	9	7. PIPE, Trans Case	4.104
		8. BOLT, Hex (5/16"-18 x 9/16")	8.900
E	9	9. COVER, Gov	4.256
E	9	10. GASKET, Gov Cvr	4.256
E	9	11. GOVERNOR ASM, Trans	4.256
E	9	12. BUSHING, Trans Case	4.104
E	9	13. GASKET, Case to Ext	4.318
		14. BOLT, Hex (3/8"-16 x 1")	8.900
E	9	15. EXTENSION ASM, Case	4.317
E	9	16. BUSHING, Case Ext	4.319
E	9	17. SEAL, Case Ext Oil	4.318
E	9	18. GEAR, Speedo Driven	4.337
E	9	19. SLEEVE, Speedo Driven Gear	4.338
E	9	20. SEAL, Speedo Driven Gear Sleeve	4.338
E	9	21. RETAINER, Speedo Driven Gear Sleeve	4.338
		22. BOLT, Hex (5/16"-18 x 5/8")	8.900
E	9	23. SEAL, Case Elec Conn (4.338)	4.115
E	9	24. CONNECTOR, Dnshft Sol Vlv	4.265
E	9	25. SHAFT, Trans Main	4.172
E	9	26. PLUG, Mainshaft (.34 Dia)(Not reqd beyond 1979)	4.172
E	9	27. BEARING KIT, W/Race Sun Gear to Rr Int	4.159
E	9	28. GEAR, Rr Int	4.187
E	9	29. BEARING KIT, W/Race Rr Int Gear to Opt Shf	4.187
E	9	30. RING, Mainshaft to Int Gear-Snap	4.172
E	9	31. BUSHING, Opt Shf	4.176
E	9	32. FLUG, Opt Shf (.34 Dia)	4.175
E	9	33. SHAFT ASM, Opt	4.175
E	9	34. CLIP, Speedo Drive Gear	4.345
E	9	35. GEAR, Speedo Drive	4.343
E	9	36. RING, Opt Shf to Frt Int Gear-Snap	4.176
E	9	37. WASHER, Opt Shf to Case-Thrust	4.176
E	9	38. WASHER, Opt Shf to Case-Sel	4.176
E	9	39. BEARING KIT, W/Race Ctr Supt to Sun Gear-Thrust	4.159
E	9	40. BUSHING, Sun Gear Shf	4.161
E	9	41. SHAFT, Sun Gear	4.161
E	9	42. GEAR, Sun	4.159
E	9	43. CARRIER ASM, Reaction	4.175
E	9	44. PINION KIT, Reaction Carr	4.175
E	9	45. BAND ASM, Rr Brk	4.251
E	9	46. RING, Frt Int Gear	4.176
E	9	47. WASHER, Opt Carr to Reaction Carr-Thrust (4.176)	4.175
E	9	48. CARRIER ASM, Opt	4.175
E	9	49. PINION KIT, Opt Carr	4.175
E	9	50. GEAR, Gov Drive	4.258
E	9	51. SEAL, Output Shaft O-Ring	4.318

GM4-16
020883



GM4-16

1968-77 TRANSMISSION PUMP, FORWARD & DIRECT CLUTCH & CENTER SUPPORT (M40)

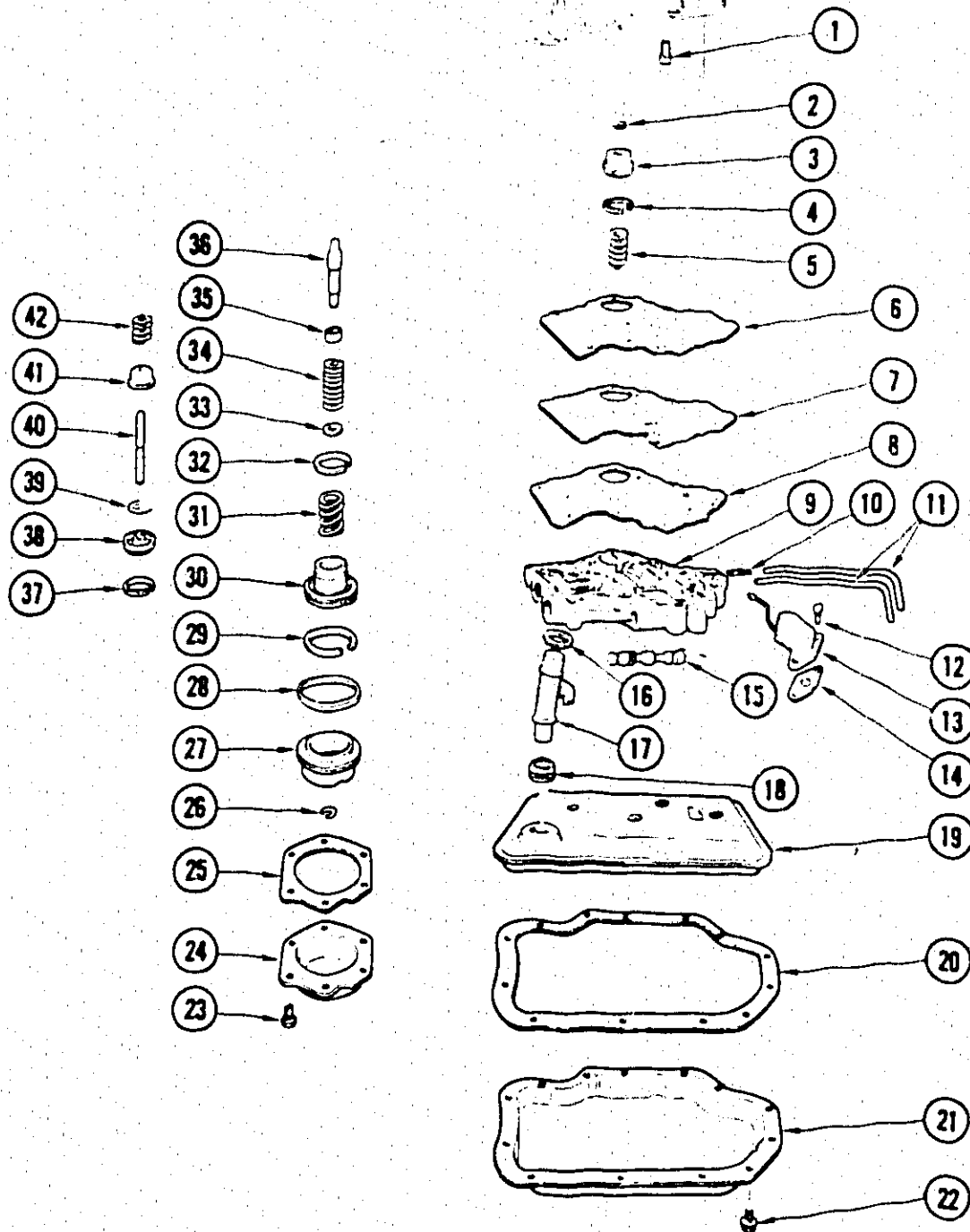
GM4-16

1968-77 TRANSMISSION PUMP, FORWARD & DIRECT CLUTCH & CENTER SUPPORT (M40)

E 9	1. CONVERTER ASM, Trans	4.115	E 9	35. HUB, Dir Clu Driving	4.164
E 9	2. SEAL, Pump Body	4.226	E 9	36. RING, Fwd & Dir Clu-Snap	4.164
E 9	3. BUSHING, Pump Body	4.226	E 9	37. PLATE, Dir Clu Bkg	4.163
E 9	4. BUSHING, Oil Pump Stator Shf-Frt	4.228	E 9	38. PLATE, Dir Clu Drive	4.163
E 9	5. BODY ASM, Oil Pump	4.224	E 9	39. PLATE, Dir Clu Driven	4.163
E 9	6. COVER ASM, Oil Pump	4.224	E 9	40. RING, Ret to Clu Hsg-Snap	4.164
	6. BOLT, Hex (5/16"-18 x 1", 1 1/2" or 1 3/4")	8.900	E 9	41. RETAINER, Clu Piston Spr	4.164
E 9	7. BUSHING, Oil Pump Stator Shf-Rr	4.226	E 9	42. SPRING, Dir Clu Piston Rel	4.164
E 9	8. WASHER, Pump Cvr to Fwd Clu Drum (Sel)	4.169	E 9	43. PISTON ASM, Dir Clu	4.166
E 9	9. RING, Pump Cvr Oil Seal	4.226	E 9	44. SEAL KIT, Fwd & Dir Clu Piston	4.166
E 9	10. GASKET, Pump to Case	4.226	E 9	45. HOUSING ASM, Dir Clu	4.169
E 9	11. SEAL, Pump to Case	4.226	E 9	46. ROLLER ASM, Inter Clu (W/TH400)	4.167
E 9	12. SHAFT, Trans Turbine	4.123	E 9	47. SPRAG, W/Bush, Inter Clu (W/TH475)	4.167
E 9	13. HOUSING, Fwd Clu	4.169	E 9	48. RACE, Inter Clu Otr	4.168
E 9	14. BOLT, Pump to Case	4.226	E 9	49. RETAINER, Inter Clu	4.167
E 9	15. WASHER, Pump to Case Bolt	4.226	E 9	49. RING, Inter Clu Rel to Dir Clu Hsg-Snap	4.167
E 9	16. PIN, Oil Pump (1/8" x 1 11/32")	4.226	E 9	50. BAND ASM, Frt Brk	4.251
E 9	17. VALVE, W/Plug Press Reg	4.216	E 9	51. RING, Inter Clu Ret-Snap	4.164
E 9	18. SPACER, Press Reg Vlv Spr	4.218	E 9	52. PLATE, Inter Clu Bkg	4.163
E 9	19. WASHER, Press Reg Vlv Spr Ret	4.265	E 9	53. PLATE, Inter Clu Driving	4.163
E 9	20. SPRING, Press Reg Vlv	4.216	E 9	54. PLATE, Inter Clu Reaction-Wave	4.163
	21. VALVE, Press Reg Boost(" 1)	N.S.	E 9	55. RING, Ctr Supt to Case-Snap	4.162
	22. BUSHING, Press Reg Boost Vlv(" 1)	N.S.	E 9	56. RING, Ctr Supt & Dir Clu Oil Seal	4.162
	23. RING, Reg Bush Ret(" 1)	N.S.	E 3	57. RING, Inter Clu Spr Ret to Supt-Snap	4.164
E 9	24. SEAL KIT, Fwd & Dir Piston	4.166	E 9	58. RETAINER, Inter Clu Spr	4.164
E 9	25. PISTON, Fwd Clu	4.166	E 9	59. SPRING, Inter Clu Rel	4.164
E 9	26. SPRING, Fwd Clu Piston Rel	4.164	E 9	60. PLATE, Inter Clu Driving	4.163
E 9	27. RETAINER, Fwd Clu Piston Spr	4.164	E 9	61. GUIDE, Inter Clu Spr	4.164
E 9	28. RING, Ret to Clu Hsg-Snap	4.164	E 9	62. PISTON, Inter Clu	4.166
E 9	29. PLATE, Fwd Clu Driven-Wave	4.163	E 9	63. SEAL KIT, Inter Clu Piston	4.166
E 9	30. PLATE, Fwd Clu Driven	4.163	E 9	64. BUSHING, Ctr Supt	4.162
E 9	31. PLATE, Fwd Clu Drive	4.163	E 9	65. SUPPORT ASM, Ctr	4.162
E 9	32. WASHER, Clu Hub to Clu Hsg-Thrust	4.164	E 9	66. WASHER, Ctr Supt to Reaction Drum-Thrust	4.162
E 9	33. HUB, Fwd Clu	4.164	E 9	67. ROLLER ASM, Low Clu	4.180
E 9	34. WASHER, Clu Hub to Dir Clu-Thrust	4.164	E 9	68. BOLT, Ctr Supt	4.162
			E 9	69. SPACER, Case Ctr Supt	4.162
			E 9	70. PLATE, Dir Clu Driven-Wave	4.163

NOTE 1: Part of VALVE, W/Plug-4.265.

GM4 17



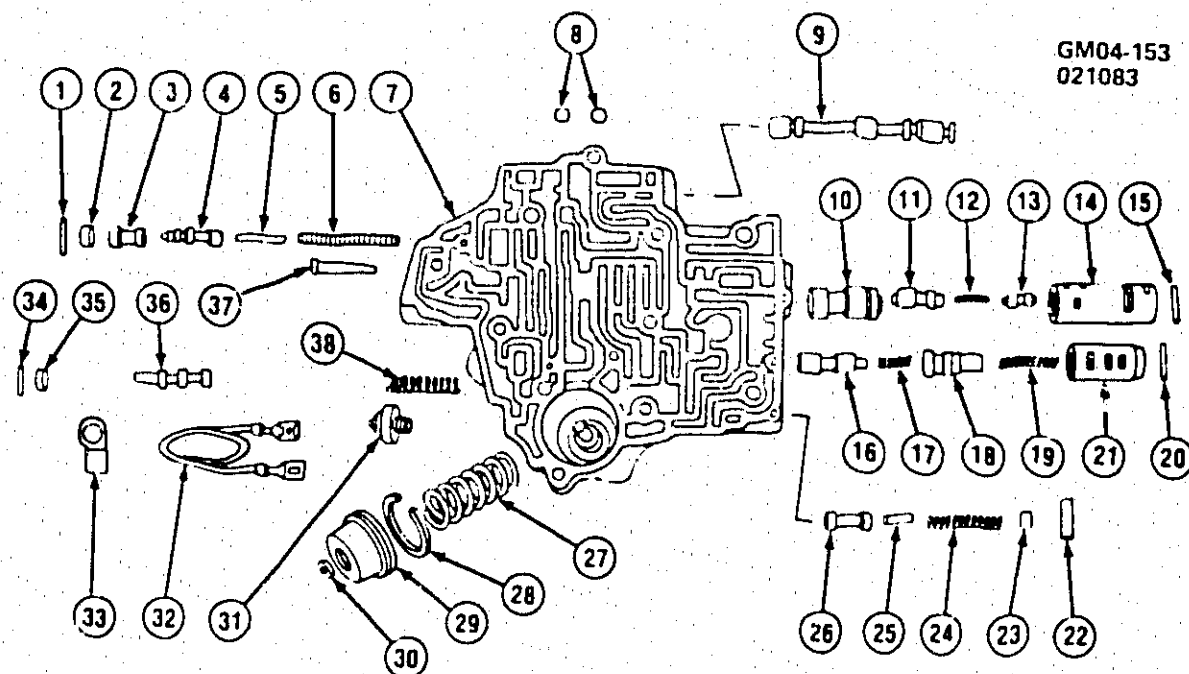
GM4-17

1968-77 TRANSMISSION FRONT & REAR SERVOS & CONTROL VALVE (M40)

GM4-17

1968-77 TRANSMISSION FRONT & REAR SERVOS & CONTROL VALVE (M40)

E 9	1.	BOLT, Case to Ctr Supt Locating	4.162
	2.	RETAINER, Frt Accumulator Piston (1/4")	8.924
E 9	3.	PISTON, Frt Accumulator	4.228
E 9	4.	RING, Frt Accumulator Piston Oil Seal	4.229
E 9	5.	SPRING, Frt Accumulator Piston	4.233
E 9	6.	GASKET, Case to Spacer	4.265
E 9	7.	PLATE, Vlv Body	4.265
E 9	8.	GASKET, Vlv Body to Spacer	4.265
E 9	9.	VALVE ASM, Trans Cont	4.265
E 9	10.	SCREEN, Gov Oil Pipe Hole	4.248
E 9	11.	PIPE, Gov Oil	4.248
	12.	BOLT, Hex (1/4"-20 x 3/4")	8.900
E 9	13.	SOLENOID, Trans	4.122
E 9	14.	GASKET, Sol Vlv	4.265
E 9	15.	VALVE, Trans Cont Man	4.265
E 9	16.	SEAL, Oil Fltr Pipe to Case	4.197
E 9	17.	PIPE, Oil Fltr	4.197
E 9	18.	GROMMET, Oil Fltr to Pipe	4.197
E 9	19.	FILTER ASM, Trans Oil	4.197
E 9	20.	GASKET, Trans Oil Pan	4.198
E 9	21.	PAN, Trans Oil	4.195
E 9	22.	SCREW, Tap (5/16"-18 x 5/8")	4.196
	23.	BOLT, Hex (5/16"-18 x 5/8")	8.900
E 9	24.	COVER, Rr Servo	4.241
E 9	25.	GASKET, Rr Servo Cvr	4.241
	26.	RETAINER, Rr Servo Piston (5/16")	8.934
E 9	27.	PISTON, Rr Servo	4.241
E 9	28.	SEAL, Rr Servo Piston	4.242
E 9	29.	RING, Rr Accumulator Piston Oil Seal-Otr	4.242
E 9	30.	PISTON, Rr Accumulator	4.241
E 9	31.	SPRING, Rr Accumulator	4.246
E 9	32.	RING, Rr Accumulator Piston Oil Seal-Inr	4.242
E 9	33.	WASHER, Rr Servo Piston	4.241
E 9	34.	SPRING, Rr Servo Piston	4.246
E 9	35.	RETAINER, Rr Servo Piston Spr	4.246
E 9	36.	PIN, Rr Band Apply	4.241
E 9	37.	RING, Frt Servo Piston Oil Seal	4.229
E 9	38.	PISTON, Frt Servo	4.228
E 9	39.	RING, Frt Servo Spr Ret	4.228
E 9	40.	PIN, Frt Servo Piston	4.228
E 9	41.	RETAINER, Frt Servo Spr	4.233
E 9	42.	SPRING, Frt Servo	4.233



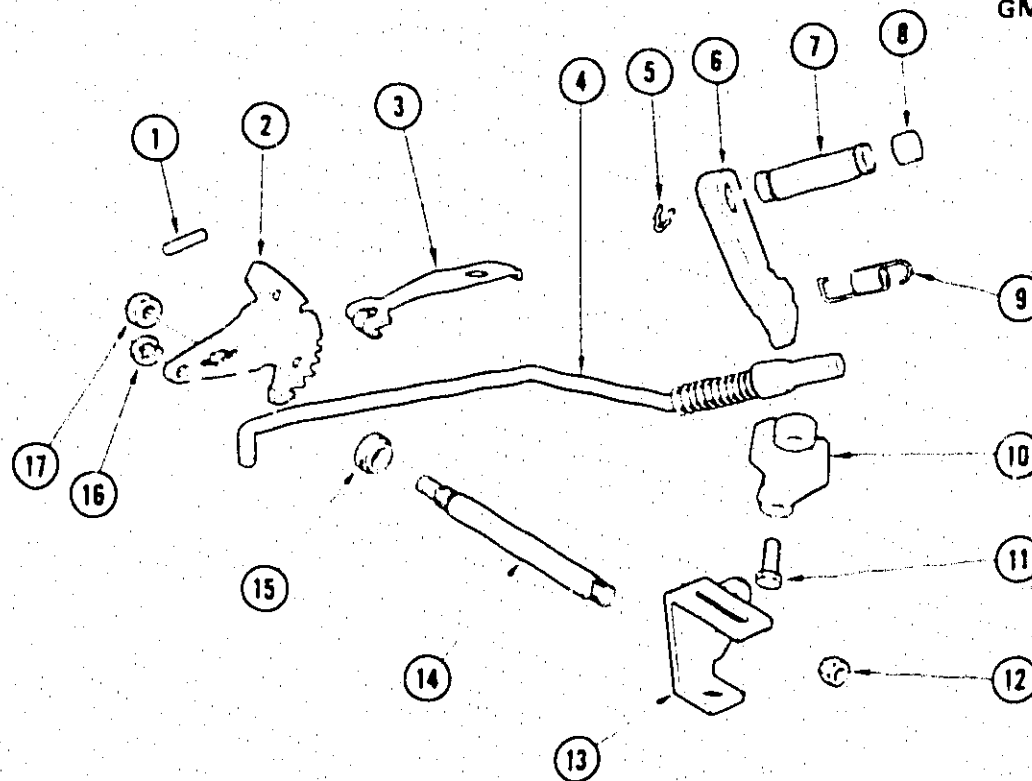
GM04-153

1968-77 TRANSMISSION CONTROL VALVE (M40)

E 9	1. PIN, Spring	4.265	E 9	20. PIN, Straight (.12 Dia x 1.32)	4.265
E 9	2. PLUG, Valve Bore (.50 O.D.)	4.265	E 9	21. BUSHING, 2-3 Modulator Valve	N.S.
	3. VALVE, Detent	N.S.	E 9	22. PIN, Straight (.12 Dia x .82)	4.265
	4. VALVE, Detent Regulator	N.S.	E 9	23. PLUG, Valve Bore (.437 O.D.)	4.265
E 9	5. PIN, Detent Regulator Valve Spacer	4.265	E 9	24. SPRING, 3-2 Valve	N.S.
	6. SPRING, Detent Regulator	N.S.	E 9	25. PIN, 3-2 Valve Spacer	4.265
	7. BODY, Valve	N.S.	E 9	26. VALVE, 3-2	N.S.
E 9	8. BALL (6.3 mm)(4.216)	4.265	E 9	27. SPRING, Front Accumulator Piston	4.233
E 9	9. VALVE, Manual	4.265	E 9	28. RING, Front Accumulator Oil Seal	4.229
	10. VALVE, 1-2 Shift	N.S.	E 9	29. PISTON, Front Accumulator	4.228
	11. SPRING, 1-2 Detent	N.S.	E 9	30. RING, Accumulator Piston Retaining	8.934
	12. SPRING, 1-2 Regulator Valve	N.S.	E 9	31. SWITCH, Pressure or Trans Spark Cont	4.075
	13. VALVE, 1-2 Regulator	N.S.	E 9	32. WIRE, Lead	4.075
	14. BUSHING, 1-2 Modulator Valve	N.S.	E 9	33. CLIP, Elec Wire	4.265
E 9	15. PIN, Spring	4.265	E 9	34. PIN, Valve Body Plug Retainer (Grooved)	4.265
	16. VALVE, 2-3 Shift	N.S.	E 9	35. PLUG, Valve Bore (.56 O.D.)	4.265
	17. SPRING, 3-2 Intermediate	N.S.	E 9	36. VALVE, 1-2 Accumulator	N.S.
	18. VALVE, 2-3 Modulator	N.S.	E 9	37. SCREEN, Governor	4.248
	19. SPRING, 2-3 Shift Valve	N.S.	E 9	38. SPRING, 1-2 Accumulator Valve	N.S.
				Primary	

All details above are part of the CONTROL VALVE ASSEMBLY group 4.265.

GM4-18



GM4-18

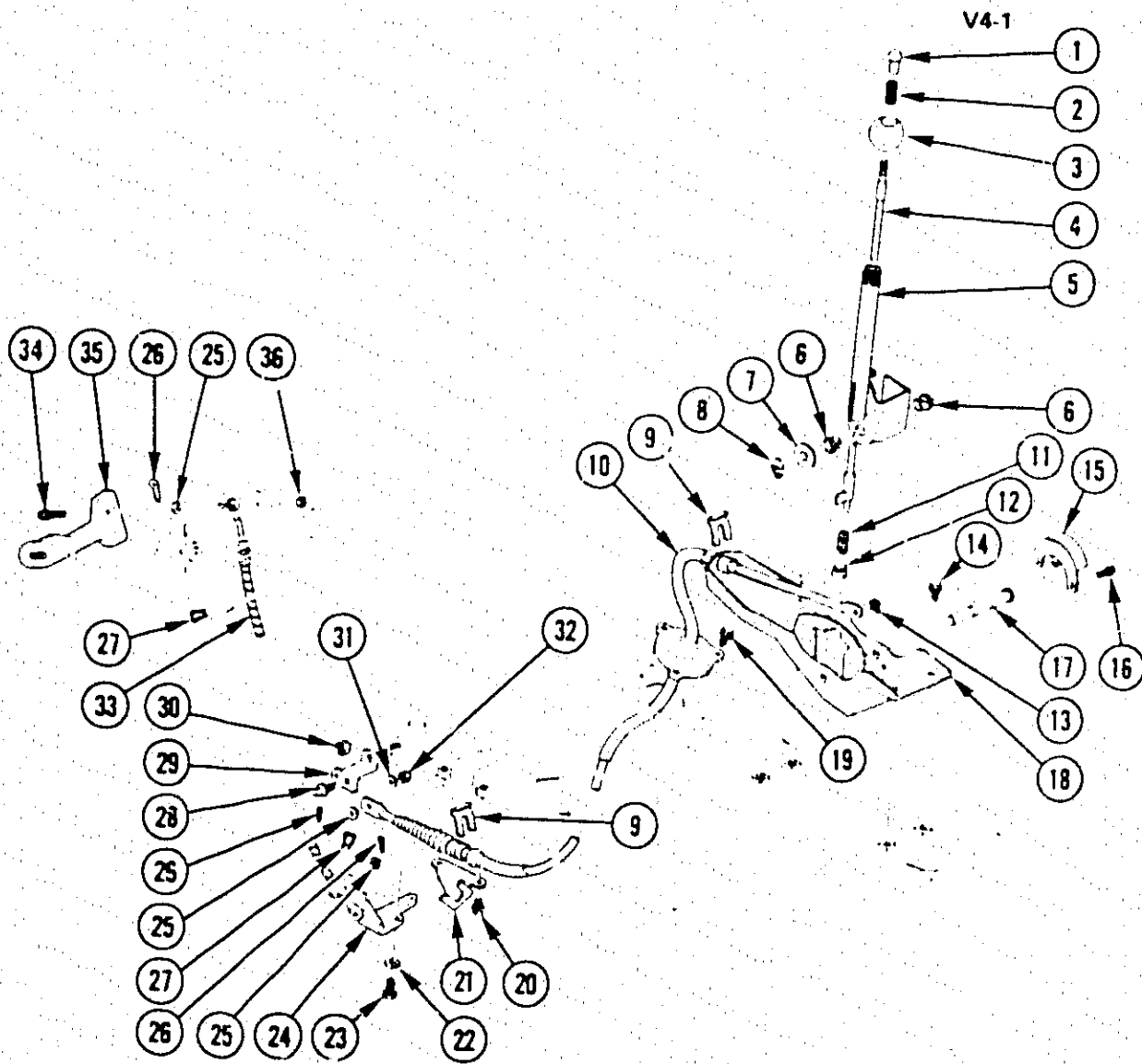
1968-77 A.T. PARKING LOCK & RANGE SELECTOR PARTS (M40)

E	9	1. PIN, Man Shf to Case (3/32" x 1 7/8")	4.275
E	9	2. LEVER ASM, Park Lk 1/2 Detent W/Pin	4.279
E	9	3. ROLLER, Park Lk Man Detent	4.293
E	9	4. ACTUATOR ASM, Park Lk	4.290
		5. RETAINER, Spring (1/4")	8.934
E	9	6. PAWL, Park Lk	4.294
E	9	7. SHAFT, Park Lk Pawl	4.294
E	9	8. PLUG, Park Lk Pawl Slif	4.294
E	9	9. SPRING, Park Lk Pawl Rtn	4.295
E	9	10. BRACKET, Park Lk	4.290
		11. BOLT, Hex (5/16"-18 x 3/4")	8.900
		12. NUT, Hex (3/8"-24 or M10 x 1.5)	8.915
E	9	13. LEVER, Range Sel-Otr	4.045
E	9	14. SHAFT, Range Sel Man	4.275
E	9	15. SEAL, Range Sel Man Shf	4.282
		16. RING, Actuator to Lever & Pin (1/4")	8.934
		17. NUT, Hex (3/8"-24)	8.915

MICROFICHE INDEX
GROUPS 4.000 THRU 5.000
FICHE 3 OF 6

GROUP DESCRIPTION	STARTING GRID LOCATION	
	PARTS	ILLUSTRATIONS
- INTRODUCTION	A-6	I-2
- GENERAL INFORMATION	A-2	I-2
- ALPHABETICAL INDEX	C-11	N.A.
- INDEX FOR ADDITIONAL INFORMATION	A-5	N.A.
4.000 TRANSMISSION - BRAKES	E-2	I-6
5.000 BRAKES - REAR AXLE - PROPELLER SHAFT - WHEELS .	H-7	L-19
- OUT OF FICHE CALLS	N.A.	N-16

K-1



V4-1

1968-82 'Y' T.H. SHIFT CONTROLS

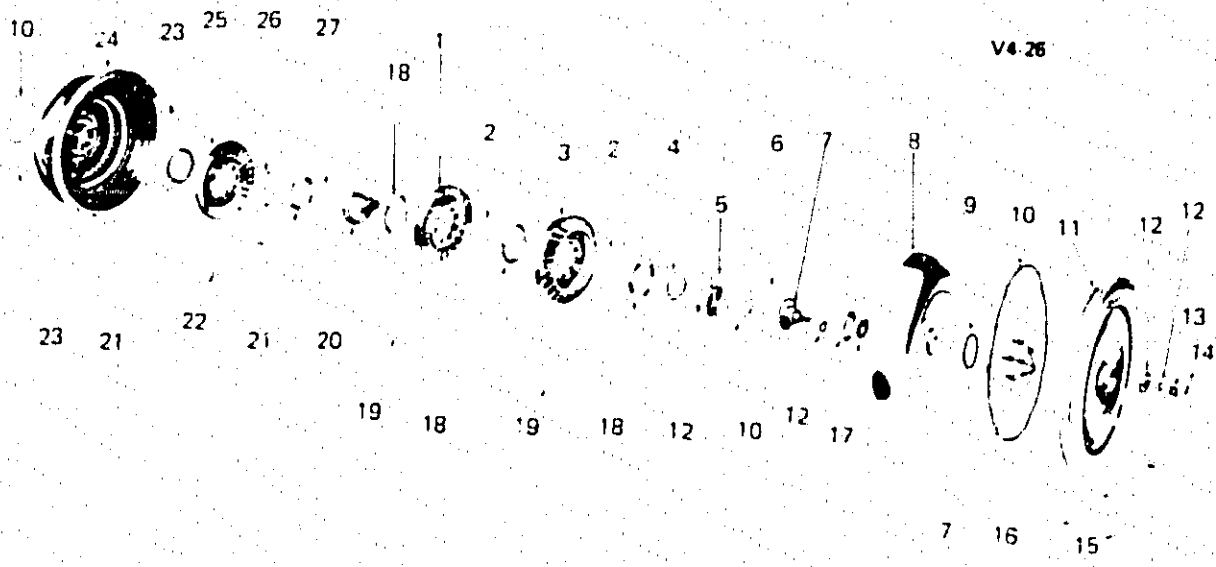
E	9	1. BUTTON, Control Lever Knob	4.006	19. SCREW (#10-16 x 1/2")	8.977
E	9	2. SPRING, Lever Release Button	4.008	20. SCREW (5/16"-18 x 13/16")	8.977
E	9	3. KNOB, Lever	4.006	E 9 21. BRACKET, Cable	4.047
E	9	4. ROD, Control Lever	4.006	22. WASHER (15/16" x 19/32")	8.931
E	9	5. LEVER, Control	4.006	23. BOLT (5/16"-18 x 1")	8.900
E	9	6. BUSHING, Cable Lever	4.008	E 9 24. BRACKET, Lock Cable	4.070
E	9	7. WASHER, Cont Lever	4.022	E 9 25. WASHER, Trans Cont Cable (0.662)	4.047
		8. RING (3/8")	8.934	26. PIN (3/32" x 1/2")	8.938
G	25	9. SPRING, Cable	4.681	G 26 27. RETAINER, Lock Cable	4.785
E	9	10. CABLE ASM, Trans Control	4.047	E 9 28. PIN, Cable	4.047
E	9	11. SPRING, Lever Lower	4.027	E 9 29. LEVER, Park Lock Range Selector	4.045
E	9	12. PLUG, Lever	4.008	30. NUT (3/8"-16)	8.915
E	9	13. RETAINER, Control Switch	4.060	31. WASHER (23/32" x 47/67")	8.929
		14. SCREW (1/4"-14 x 3/4")	8.977	32. NUT, Cable Pin (3/8"-16)	N.S.
E	9	15. SWITCH ASM, Neutral Safety	4.054	E 9 33. CABLE, Control Lock (21-1/8")	4.070
E	9	16. SCREW, Switch Asm (#10-24 x 5/16")	N.S.	34. BOLT, Lock Cable Brkt (5/16"-18 x 1 1/2")	N.S.
E	9	17. PIN, Lever	4.008	E 9 35. BRACKET, Lock Cable	4.070
E	9	18. BRACKET, Central Lever	4.010	36. NUT (5/16"-18)	8.917

WAREHOUSING AND DISTRIBUTION DIVISION OF GENERAL MOTORS CORPORATION—CHEVROLET—14A

(12-83)

K-2

4.000-GROUP

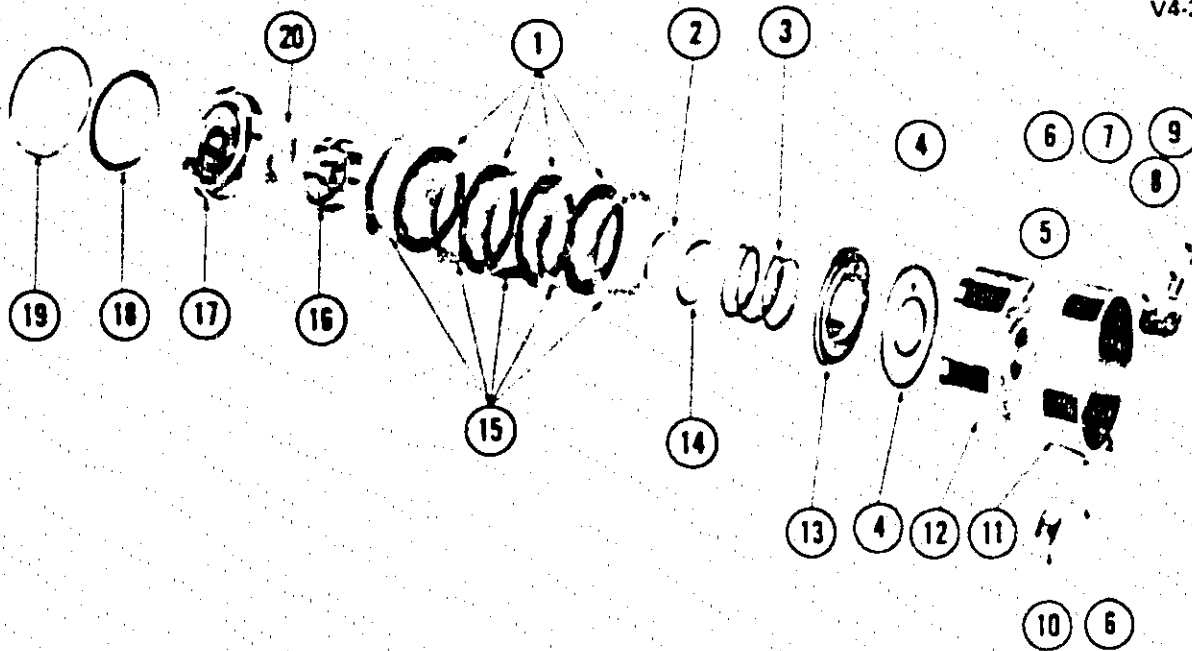


V4-26

1953-57 POWERGLIDE TRANSMISSION-CONVERTER SECTION

E 9	1. STATOR ASM	4.119
E 9	2. RETAINER	4.117
E 9	3. STATOR	4.119
E 9	4. RING	4.117
E 9	5. TURBINE ASM. Part of TURBINE ASM 4.115	N.S.
E 9	6. SHIM	4.123
E 9	7. BOLT	4.115
E 9	8. TURBINE ASM	4.115
E 9	9. LOCK (*1)	4.115
E 9	10. SEAL	4.115
E 9	11. PUMP, Part of 4.115 PUMP	N.S.
E 9	12. WASHER	4.115
E 9	13. NUT (*1)	4.115
E 9	14. COTTER PIN	8.938
E 9	15. BOLT	8.900
E 9	16. WASHER, Lock	8.931
E 9	17. BUSHING	4.115
E 9	18. WASHER	4.117
E 9	19. ROLLER UNIT	4.117
E 9	20. RACE	4.119
E 9	21. WASHER	4.112
E 9	22. ROLLER UNIT	4.112
E 9	23. PLUG	8.971
E 9	24. PUMP (Includes Cover)	4.115
E 9	25. PUMP	4.110
E 9	26. RETAINER	4.112
E 9	27. RING	4.112

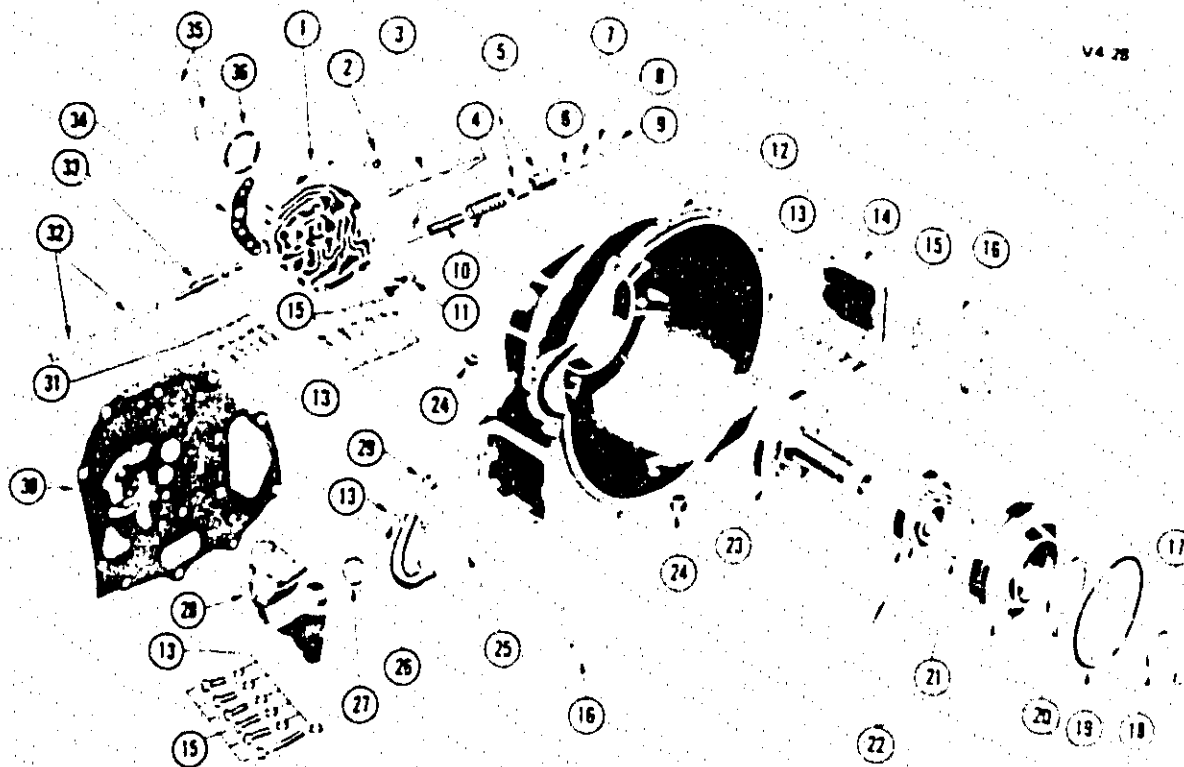
NOTE 1: Removed from Service



V4-27

1953-57 POWERGLIDE TRANSMISSION-HI-LO CLUTCH SECTION

E 9	1. PLATE, Drive	4.163
E 9	2. RING	4.164
E 9	3. SPRING	4.164
E 9	4. SEAL UNIT	4.166
E 9	5. VALVE UNIT	4.169
E 9	6. STRUT	4.233
E 9	7. ANCHOR	4.233
E 9	8. SCREW	4.253
E 9	9. NUT	4.253
E 9	10. SPRING	4.233
E 9	11. BAND ASM	4.251
E 9	12. DRUM	4.169
E 9	13. PISTON	4.166
E 9	14. SEAT	4.164
E 9	15. PLATE, Driven	4.163
E 9	16. HUB	4.164
E 9	17. FLANGE ASM	4.162
E 9	18. RETAINER	4.162
E 9	19. RING	4.162
E 9	20. WASHER	4.164

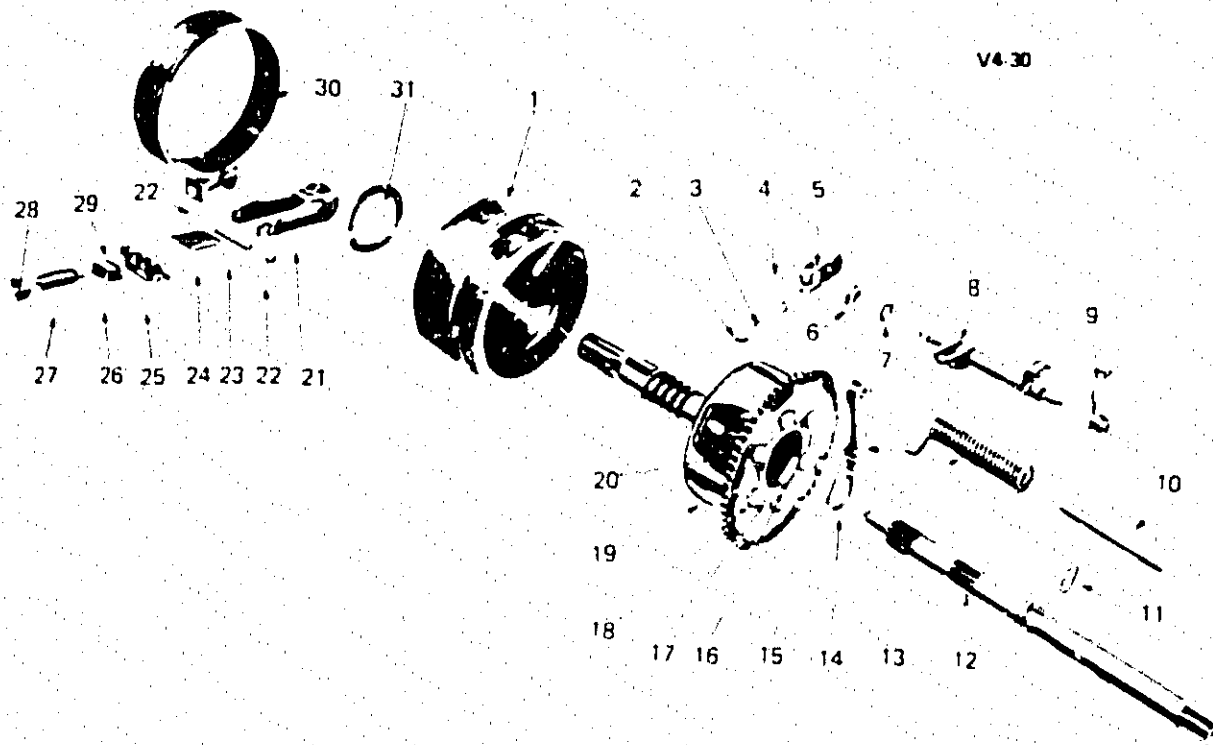


V4-28

V4-28

1953-62 POWERGLIDE TRANSMISSION-HOUSING SECTION

E 9	1. BODY ASM	4.218	E 9	19. SEAL	4.203
	2. PLUG	8.971	E 9	20. SEAL	N.S.
E 9	3. VALVE	4.218	E 9	21. RING	4.203
E 9	4. STOP	4.217	E 9	22. Part of 4.200 PUMP ASM	N.S.
	5. Part of 4.216 BODY ASM	N.S.	E 9	23. COVER	4.203
E 9	6. VALVE	4.217	E 9	24. PLUG	8.971
E 9	7. SPRING	4.217	E 9	25. PIPE ASM	4.197
E 9	8. WASHER	4.217	E 9	26. BOLT	8.906
E 9	9. RING	4.217	E 9	27. SEAL	4.133
E 9	10. SPRING	4.217	E 9	28. COVER	4.105
E 9	11. VALVE	4.216	E 9	29. SEAL	4.197
	12. Part of 4.130 CASE	N.S.	E 9	30. GASKET	4.217
	13. WASHER, Lock	8.931	E 9	31. BOLT	4.217
E 9	14. COVER	4.105	E 9	32. SPRING	4.216
	15. BOLT	8.900	E 9	33. VALVE	4.216
E 9	16. GASKET	4.109	E 9	34. GASKET	4.217
E 9	17. RING	4.112	E 9	35. RING	4.169
E 9	18. WASHER	4.112	E 9	36. WASHER	4.169

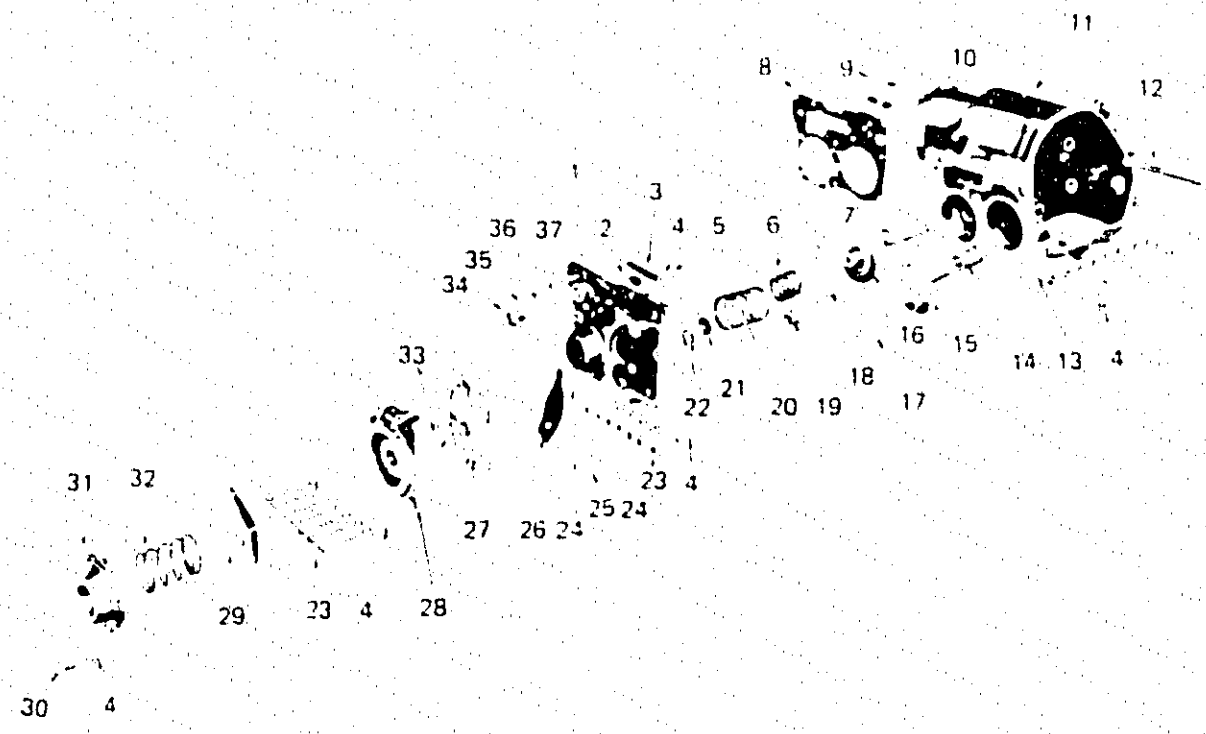


V4-30

1953-57 POWERGLIDE TRANSMISSION-REVERSE AND PLANETARY SECTION

E 9	1. DRUM ASM	4.190
	2. NUT	1.915
	3. WASHER, Lock	1.931
	4. BOLT	8.900
E 9	5. LEVER, Outside	4.041
E 9	6. SPACER	4.218
E 9	7. SEAL	4.218
E 9	8. SHAFT ASM	4.220
E 9	9. LEVER	4.218
E 9	10. SHAFT	4.220
E 9	11. RING	4.123
E 9	12. SHAFT	4.123
E 9	13. SPRING	4.220
E 9	14. WASHER	4.162
E 9	15. PAWL	4.220
E 9	16. SCREW	4.176
E 9	17. PLATE	4.176
E 9	18. SHAFT	4.175
E 9	19. CARRIER ASM	4.175
E 9	20. PINION	4.175
E 9	21. LINK	4.246
E 9	22. RING	4.246
E 9	23. PIN	4.246
E 9	24. STRUT	4.246
E 9	25. LEVER	4.246
E 9	26. ANCHOR	4.246
E 9	27. SCREW	4.253
E 9	28. NUT	4.253
E 9	29. C/PIN	8.938
E 9	30. BAND ASM	4.251
E 9	31. WASHER	4.190

V4-29

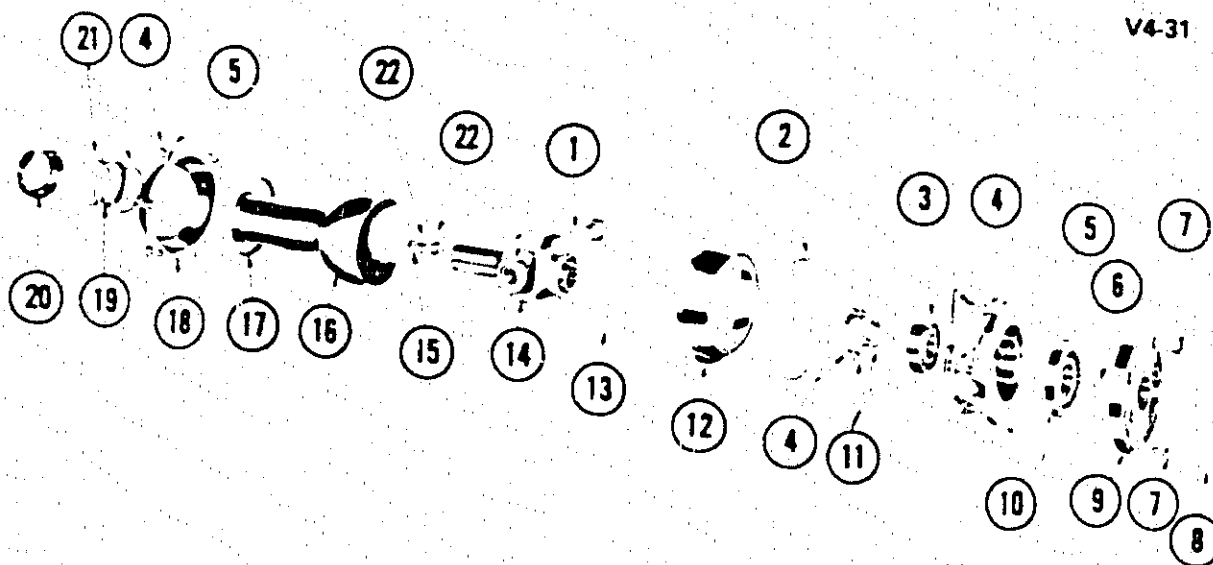


V4-29

1953-62 POWERGLIDE TRANSMISSION-CASE SECTION

E 9	1. COVER ASM	4.212	E 9	19. SLEEVE	4.212
E 9	2. RETAINER	4.216	E 9	20. SPRING	4.241
E 9	3. THERMOSTAT	4.216	E 9	21. RETAINER	4.241
	4. WASHER, Lock	8.931	E 9	22. KEY	4.241
	5. BOLT	8.906	E 9	23. BOLT	8.900
E 9	6. SPRING	4.241	E 9	24. PIN	4.208
E 9	7. ROD	4.241		25. PLUG	8.971
E 9	8. GASKET	4.212	E 9	26. LEVER ASM	4.208
E 9	9. BUSHING	4.104	E 9	27. GASKET	4.208
	10. See Note 1	N.S.	E 9	28. HOUSING	4.208
	11. CASE (Serviced only W/Hsg)	N.S.	E 9	29. DIAPHRAGM	4.205
E 9	12. SHAFT	4.220		30. BOLT	8.907
E 9	13. BOLT	4.104	E 9	31. COVER	4.205
E 9	14. SPRING	4.228	E 9	32. SPRING	4.205
E 9	15. PISTON	4.228	E 9	33. PISTONS	4.208
E 9	16. PISTON	4.241	E 9	34. PLUG	4.216
E 9	17. RING	4.228	E 9	35. GASKET	4.216
E 9	18. RING	4.241	E 9	36. SPRING	4.216
				37. BALL	8.899

NOTE 1: FOR IDENTIFICATION ONLY. SERIAL NO, LOCATION

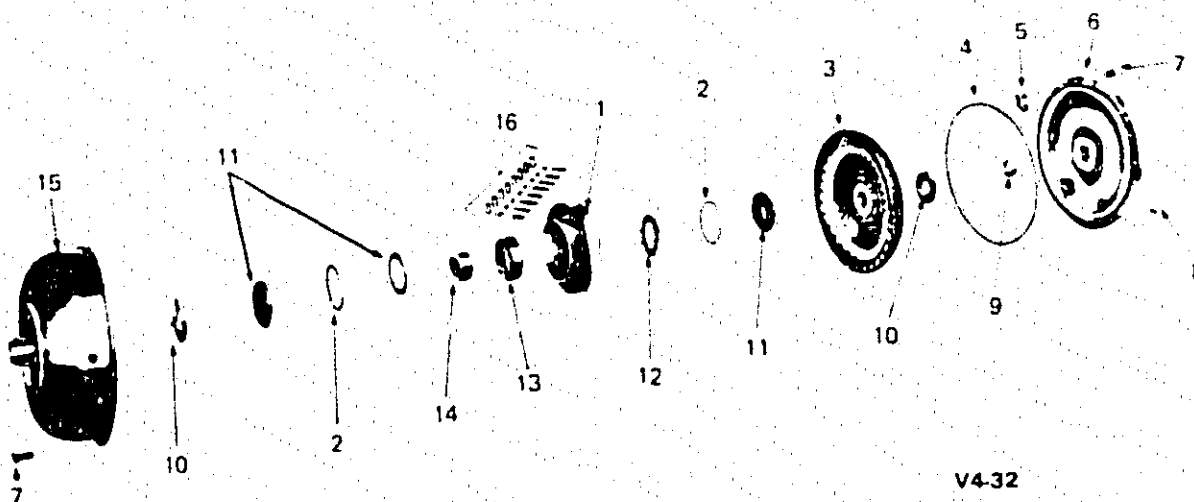


V4-31

1953-57 POWERGLIDE TRANSMISSION-REAR PUMP SECTION

E 9	1. GEAR UNIT	4.337	H 17	12. SEAT	5.565
H 17	2. SEAL	5.565	H 17	13. SHIM	5.567
E 9	3. BEARING	4.203	H 16	14. JOINT ASM	5.548
	4. BOLT	8.900		15. BOLT	4.405
	5. WASHER, Lock	8.931	H 17	16. BALL	5.564
E 9	6. PIN	4.203	H 17	17. SEAL	5.572
	7. BOLT	8.908	H 17	18. COLLAR	5.565
E 9	8. GASKET	4.203	H 17	19. PACKING	5.580
E 9	9. COVER	4.203	H 17	20. RETAINER	5.576
	10. Part of 4.200 PUMP ASM	N.S.	H 17	21. WASHER	5.576
	11. WASHER, Lock	8.932		22. WASHER	4.404

V4-32

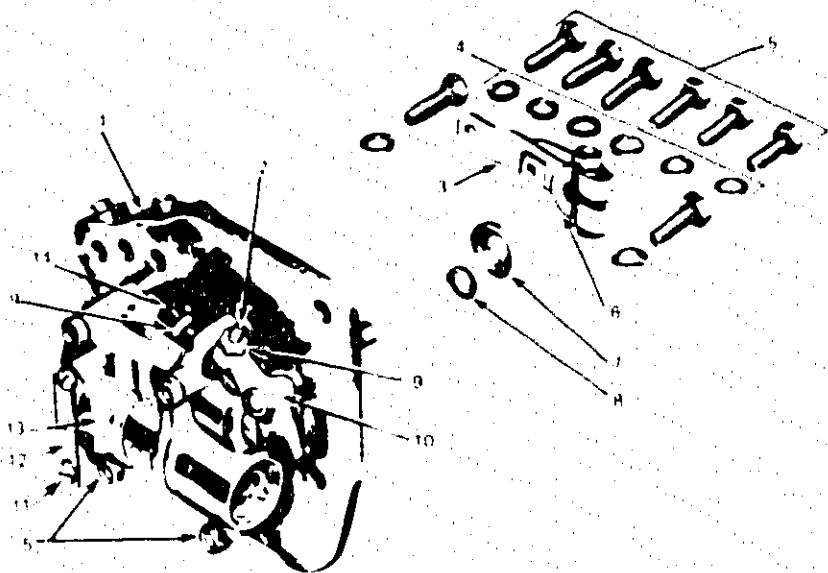


V4-32

1953-57 POWERGLIDE TRANSMISSION CONVERTER SECTION

E 9	1. STATOR	4.119	E 9	9. BUSHING	4.115
E 9	2. RING	4.117	E 9	10. WASHER	4.115
E 9	3. TURBINE ASM	4.115	E 9	11. WASHER	4.117
E 9	4. SEAL	4.115	E 9	12. RETAINER	4.117
E 9	5. NUT	4.115	E 9	13. CAM UNIT	4.117
	6. Part of 4.115 Converter	N.S.	E 9	14. RACE	4.119
E 9	7. BOLT	4.115	E 9	15. CONVERTER	4.115
E 9	8. NUT	4.115	E 9	16. ROLLER UNIT	4.117

V4-33

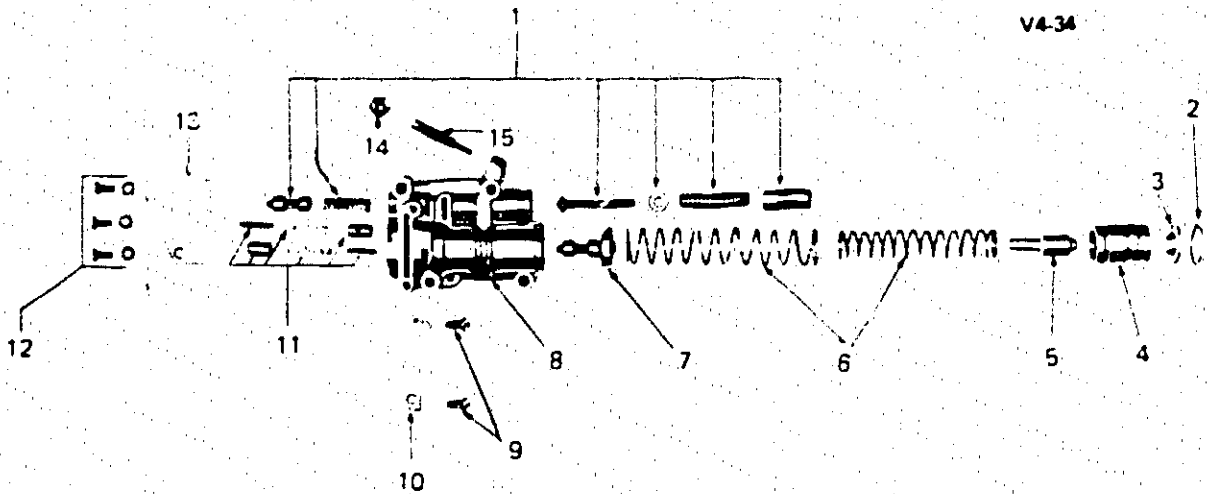


V4-33

1953-57 POWERGLIDE TRANSMISSION THROTTLE VALVE

E 9	1. COVER	4.105	E 9	8. SEAL	4.278
	2. SCREW	N.S.	E 9	9. NUT	8.915
E 9	3. LEVER	4.050	E 9	10. LEVER ASM	4.278
	4. WASHER, Lock	8.931	E 9	11. BOLT	8.908
	5. BOLT	8.900	E 9	12. PLATE	4.265
E 9	6. CLAMP	4.052	E 9	13. BODY ASM	4.265
E 9	7. SHIELD	4.278	E 9	14. SCREW	4.278

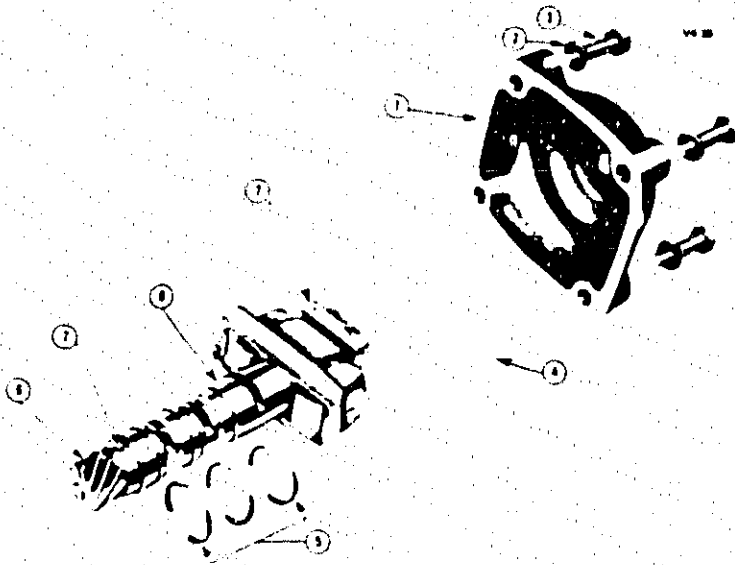
V4-34



V4-34

1953-57 POWERGLIDE TRANSMISSION THROTTLE VALVE BODY

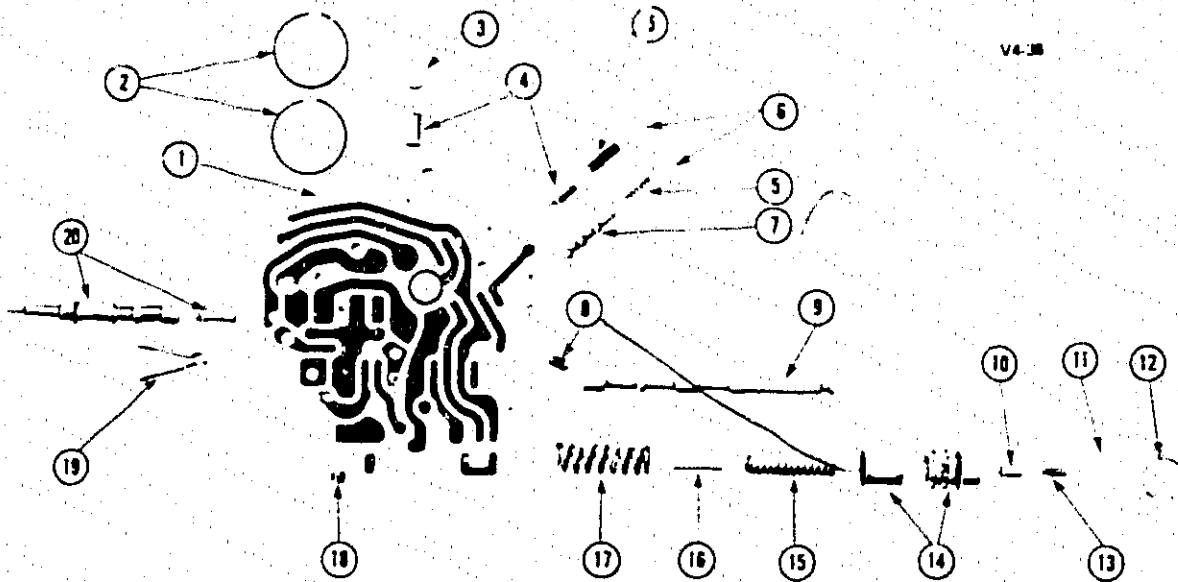
E 9	1. VALVE UNIT, Throttle	4.265	E 9	8. BODY ASM	4.265
E 9	2. RING	4.265	E 9	9. BOLT	8.908
E 9	3. CAP	4.265	E 9	10. PLATE	4.265
E 9	4. SLEEVE	4.265	E 9	11. VALVE UNIT, Clutch Exh	4.265
E 9	5. VALVE	4.265	E 9	12. SCREW	4.265
E 9	6. SPRING UNIT	4.265	E 9	13. PLATE	4.265
E 9	7. VALVE	4.265	E 9	14. NUT	8.915
			E 9	15. SCREW	4.278



V4-35

1953-57 POWERGLIDE TRANSMISSION GOVERNOR

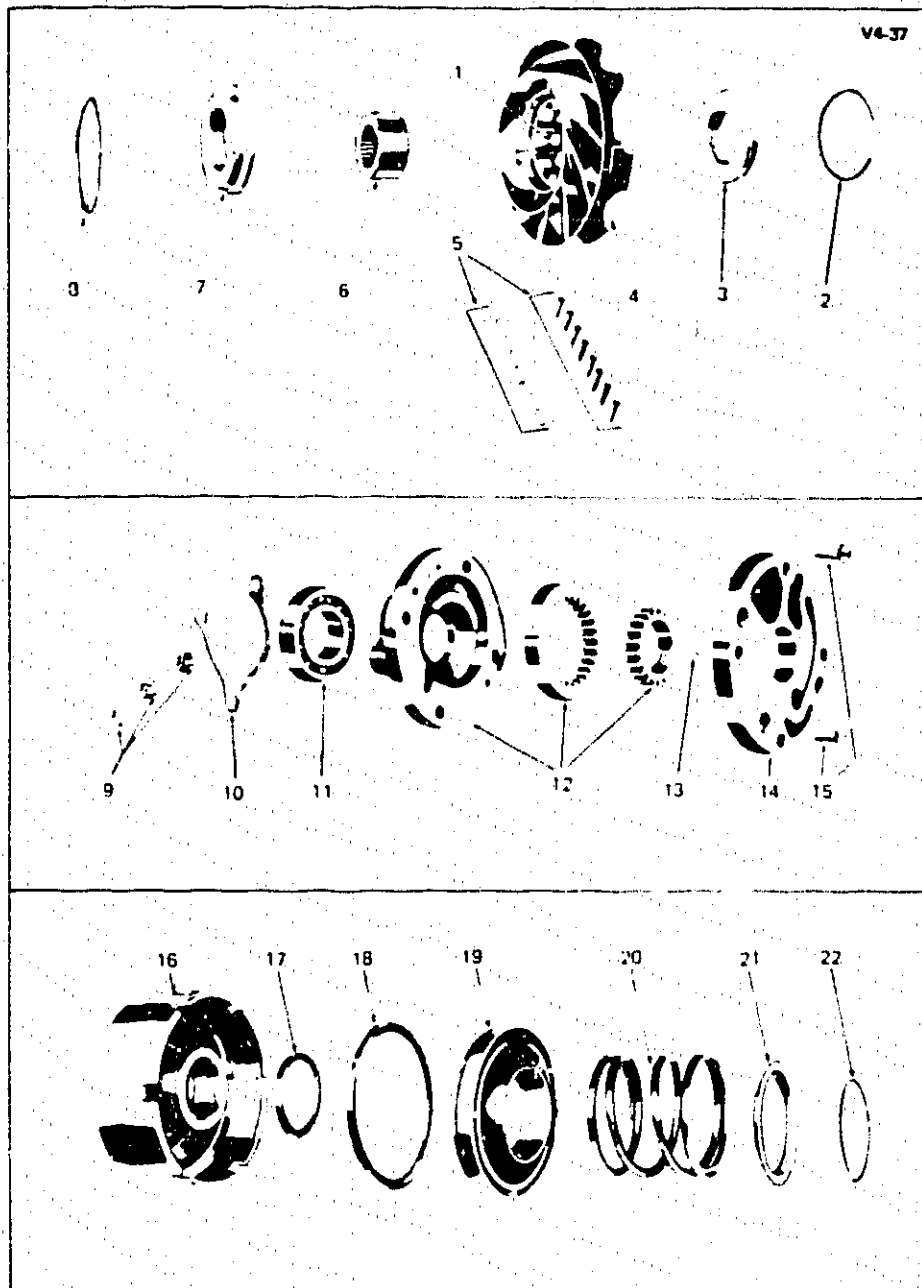
E 9	1. COVER	4.256	E 9	5. RING	4.256
E 9	2. WASHER Lock	8.931	E 9	8. GEAR UNIT	4.256
E 9	3. BOLT	8.900	E 9	7. PIN	4.256
E 9	4. GASKET	4.256	E 9	8. GOVERNOR ASM	4.256



V4-36

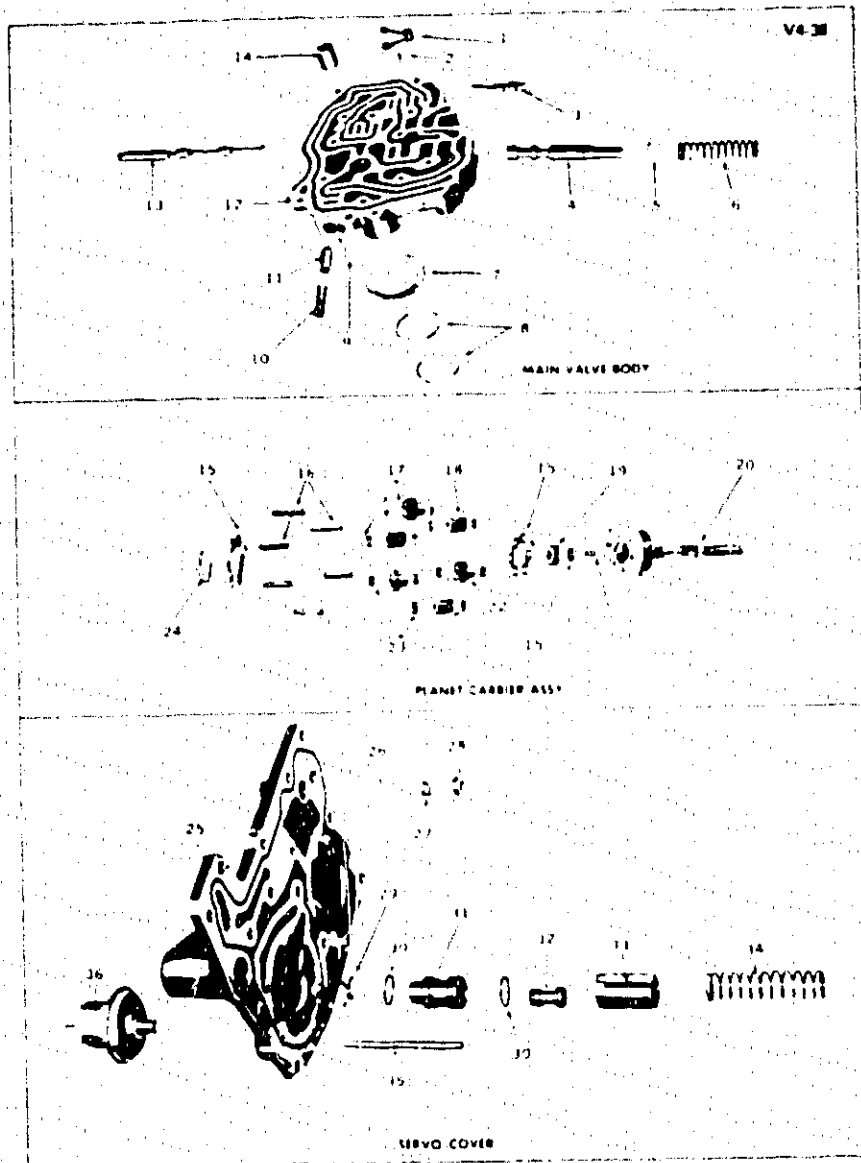
1953-57 POWERGLIDE TRANSMISSION MAIN VALVE BODY

E 9	1. BODY ASM	4.216	E 9	11. WASHER	4.217
E 9	2. RING	4.169	E 9	12. RING	4.217
E 9	3. RING	4.216	E 9	13. SPRING	4.217
E 9	4. VALVE	4.216	E 9	14. Part of 4.216 BODY ASM	N.S.
E 9	5. SPRING	4.216	E 9	15. SPRING	4.217
E 9	6. PIN	N.S.	E 9	16. STOP	4.217
E 9	7. VALVE	4.216	E 9	17. SPRING	4.217
E 9	8. PLUG	4.216	E 9	18. PLUG	8.971
E 9	9. VALVE	4.216	E 9	19. VALVE	4.216
E 9	10. VALVE	4.217	E 9	20. VALVE UNIT	4.216



1953-62 POWERGLIDE TRANSMISSION (EXC. 327 ENGINE)

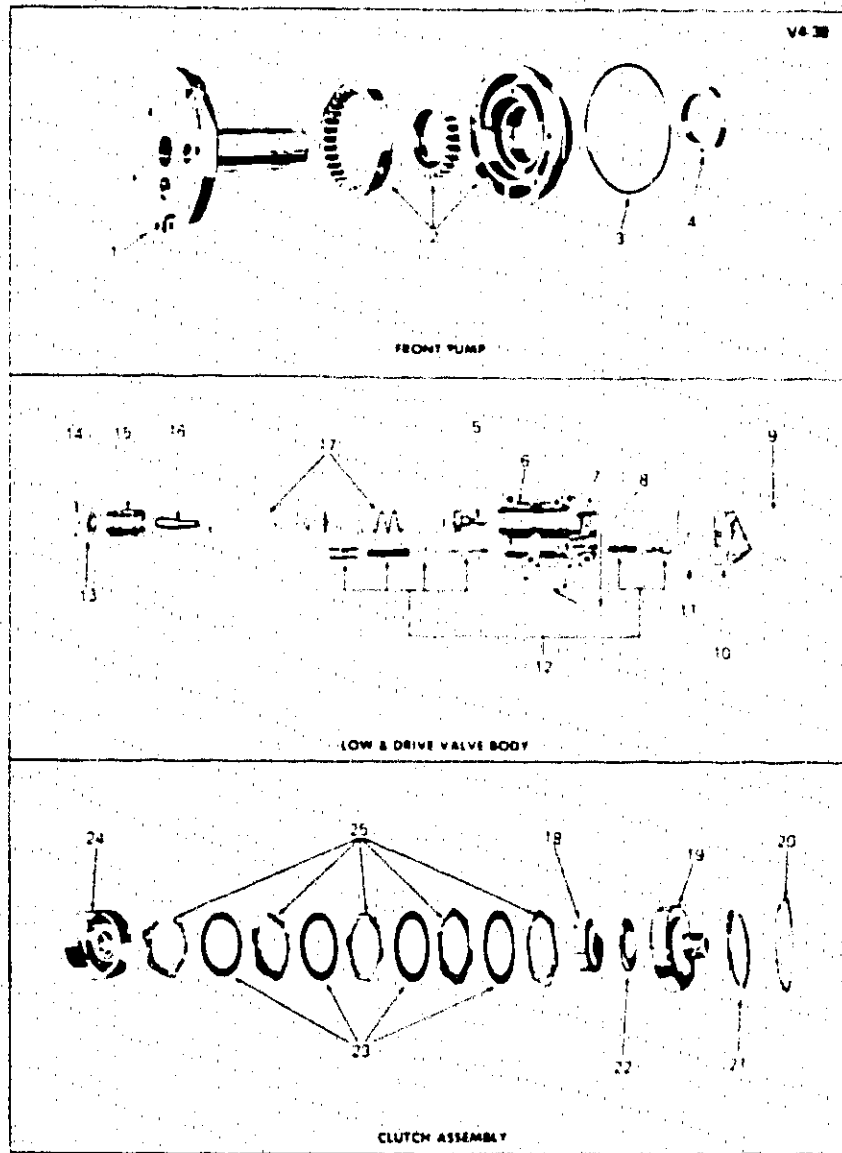
E 9	1. CAM UNIT	4.117	E 9	12. Part of 4.200 PUMP ASM	N.S.
E 9	2. RING	4.117	E 9	13. PIN	4.203
E 9	3. WASHER	4.117	E 9	14. COVER	4.203
E 9	4. STATOR ASM	4.119	E 9	15. SCREW (1/4"-20 x 3/4")	8.908
E 9	5. ROLLER UNIT	4.117	E 9	16. DRUM	4.169
E 9	6. RACE	4.119	E 9	17. SEAL	4.166
E 9	7. WASHER	4.117	E 9	18. SEAL	4.166
E 9	8. RING	4.117	E 9	19. PISTON	4.166
E 9	9. HEX HD BOLT (5/16"-18 x 9/16")	N.S.	E 9	20. SPRING	4.164
E 9	10. RETAINER	4.203	E 9	21. SEAT	4.164
E 9	11. BEARING	4.203	E 9	22. RING	4.164



V4-38

1958-62 POWERGLIDE TRANSMISSION (EXC. 327 ENGINE)

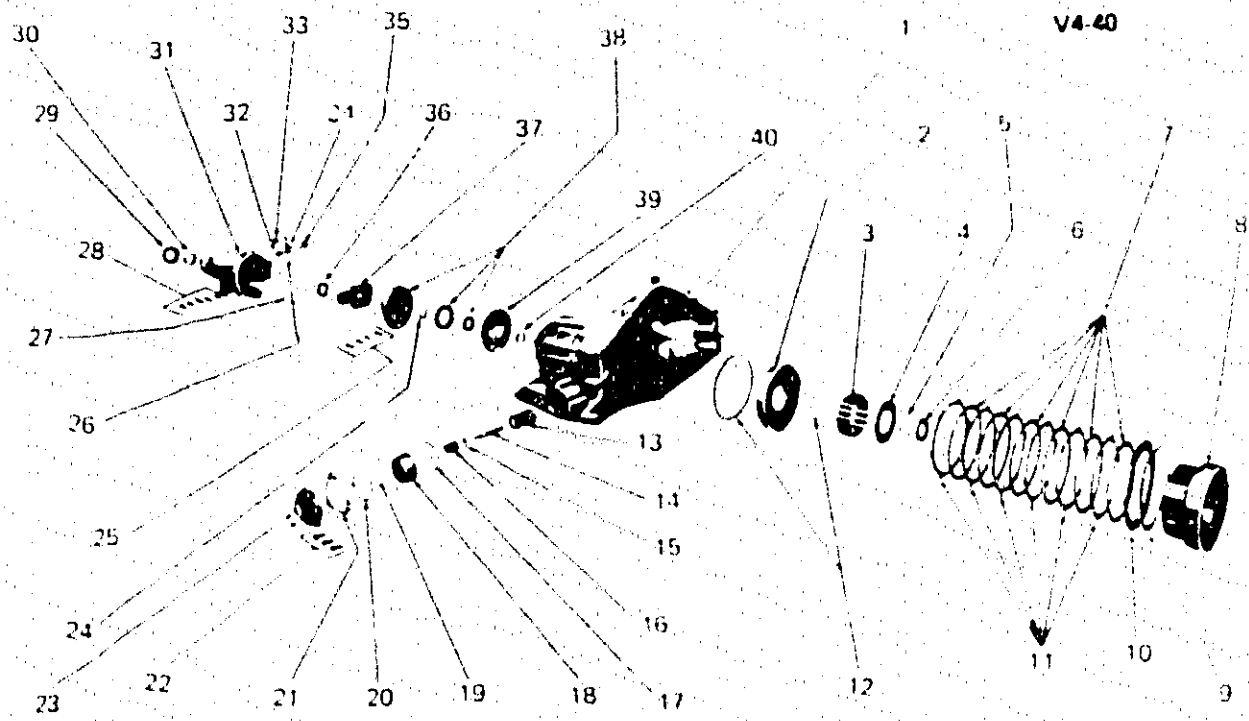
E 9	1. VALVE, Frt & Rr Pump Check	4.216	E 9	19. GEAR, Input Sun	4.175
E 9	2. RETAINER	4.205	E 9	20. Part of 4.175 CARRIER ASM	N.S.
E 9	3. VALVE	4.205	E 9	21. BEARING ASM	4.176
E 9	4. VALVE	4.216	E 9	22. PINION	4.175
E 9	5. RING	4.216	E 9	23. BEARING	4.176
E 9	6. SPRING	4.216	E 9	24. PLATE	4.176
E 9	7. WASHER, Drum Thrust	4.169	E 9	25. COVER ASM	4.212
E 9	8. RING	4.169	E 9	26. SPRING	4.216
E 9	9. PIN (1/8" x 7/8")	8.939	E 9	27. VALVE	4.216
E 9	10. SPRING	4.216	E 9	28. SEAT	4.216
E 9	11. VALVE, Pressure Regulator	4.216	E 9	29. CAP	4.216
E 9	12. BODY ASM	4.216	E 9	30. SEAL	4.216
E 9	13. VALVE	4.216	E 9	31. SLEEVE	4.216
E 9	14. VALVE	4.216	E 9	32. VALVE	4.216
E 9	15. WASHER	4.176	E 9	33. SLEEVE	4.212
E 9	16. Part of 4.175 CARRIER ASM	N.S.	E 9	34. SPRING	4.216
E 9	17. SPACER	4.176	E 9	35. PLUNGER	4.205
E 9	18. PINION	4.175	E 9	36. VACUUM MODULATOR	4.205



V4-39

1958-62 POWERGLIDE TRANSMISSION (EXC. 327 ENGINE)

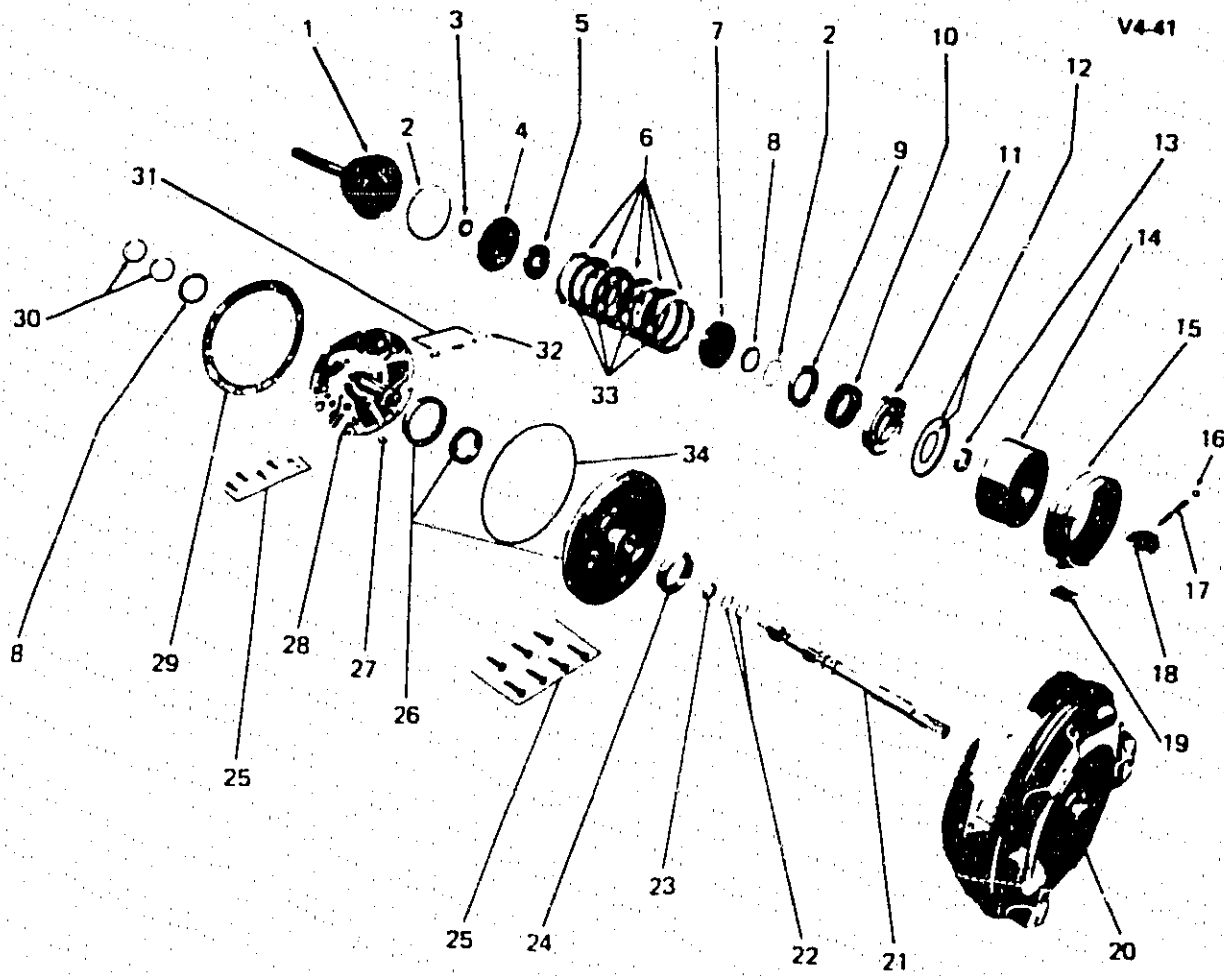
E 9	1. SUPPORT ASM	4.203	E 9	13. CAP	4.265
	2. Part of 4.200 PUMP ASM	N.S.	E 9	14. RING	4.265
E 9	3. SEAL	4.203	E 9	15. SLEEVE	4.265
E 9	4. SEAL	4.203	E 9	16. VALVE	4.265
E 9	5. VALVE	4.265	E 9	17. SPRING UNIT	4.265
E 9	6. BODY ASM	4.265	E 9	18. HUB	4.164
	7. Part of 4.265 BODY ASM	N.S.	E 9	19. FLANGE ASM	4.162
	8. NUT (1/4"-20)	8.915	E 9	20. RING	4.164
E 9	9. SCREW	4.265	E 9	21. RETAINER	4.162
E 9	10. PLATE	4.265	E 9	22. WASHER	4.164
E 9	11. GASKET	4.265	E 9	23. PLATE, Drive	4.163
E 9	12. VALVE UNIT	4.265	E 9	24. DRUM	4.169
			E 9	25. PLATE, Driven	4.163



V4-40

1962-67 ALUMINUM POWERGLIDE TRANSMISSION CASE

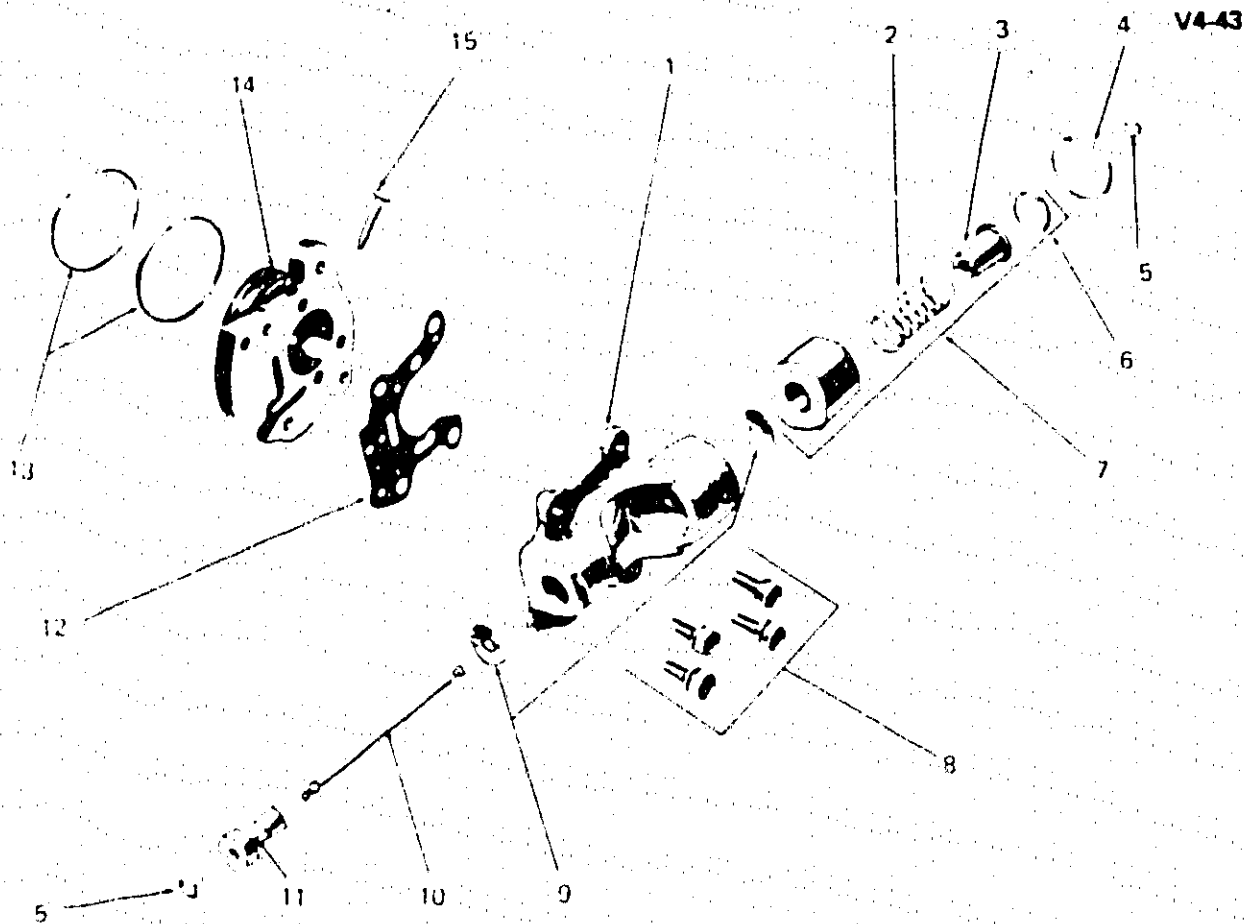
	1. CASE, Part of 4.130 CASE ASM	N.S.		22. BOLT (3/8"-16 x 7/8")	8.900
E	9 2. PISTON	4.166	E	9 23. COVER	4.212
E	9 3. SPRING	4.164	E	9 24. BUSHING	4.203
E	9 4. SEAT	4.164		25. BOLT (5/16"-18 x 1 1/4")	8.900
E	9 5. RING	4.164		26. BOLT (1/4"-20 x 5/8")	8.900
E	9 6. BEARING ASM	4.176	E	9 27. SEAL	4.203
E	9 7. PLATE, Drive	4.163	E	9 28. BOLT (3/8"-16 x 1 3/8")	8.900
E	9 8. GEAR	4.187	E	9 29. SEAL ASM	4.318
E	9 9. RING	4.164		30. BUSHING	4.408
E	9 10. PLATE, Reverse	4.163	E	9 31. EXTENSION ASM	4.317
E	9 11. PLATE, Driven	4.163	E	9 32. GEAR	4.337
	12. Part of 4.166 SEAL UNIT	N.S.	E	9 33. RETAINER	4.338
E	9 13. SPRING	4.228	E	9 34. SEAL	4.338
E	9 14. ROD	4.22R	E	9 35. FITTING	4.338
E	9 15. WASHER	4.228	E	9 36. GEAR	4.343
E	9 16. SPRING	4.228	E	9 37. GOVERNOR ASM	4.256
E	9 17. RING	4.228		38. Part of 4.200 PUMP ASM Not Required for 1967	N.S.
E	9 18. PISTON	4.228	E	9 39. PLATE (1962-66)	4.203
E	9 19. RETAINER	4.228	E	9 GASKET (1967)	4.256
E	9 20. SEAL	4.212	E	9 40. BUSHING	4.104
E	9 21. GASKET	4.212			



V4-41

1962-67 ALUMINUM POWERGLIDE TRANSMISSION

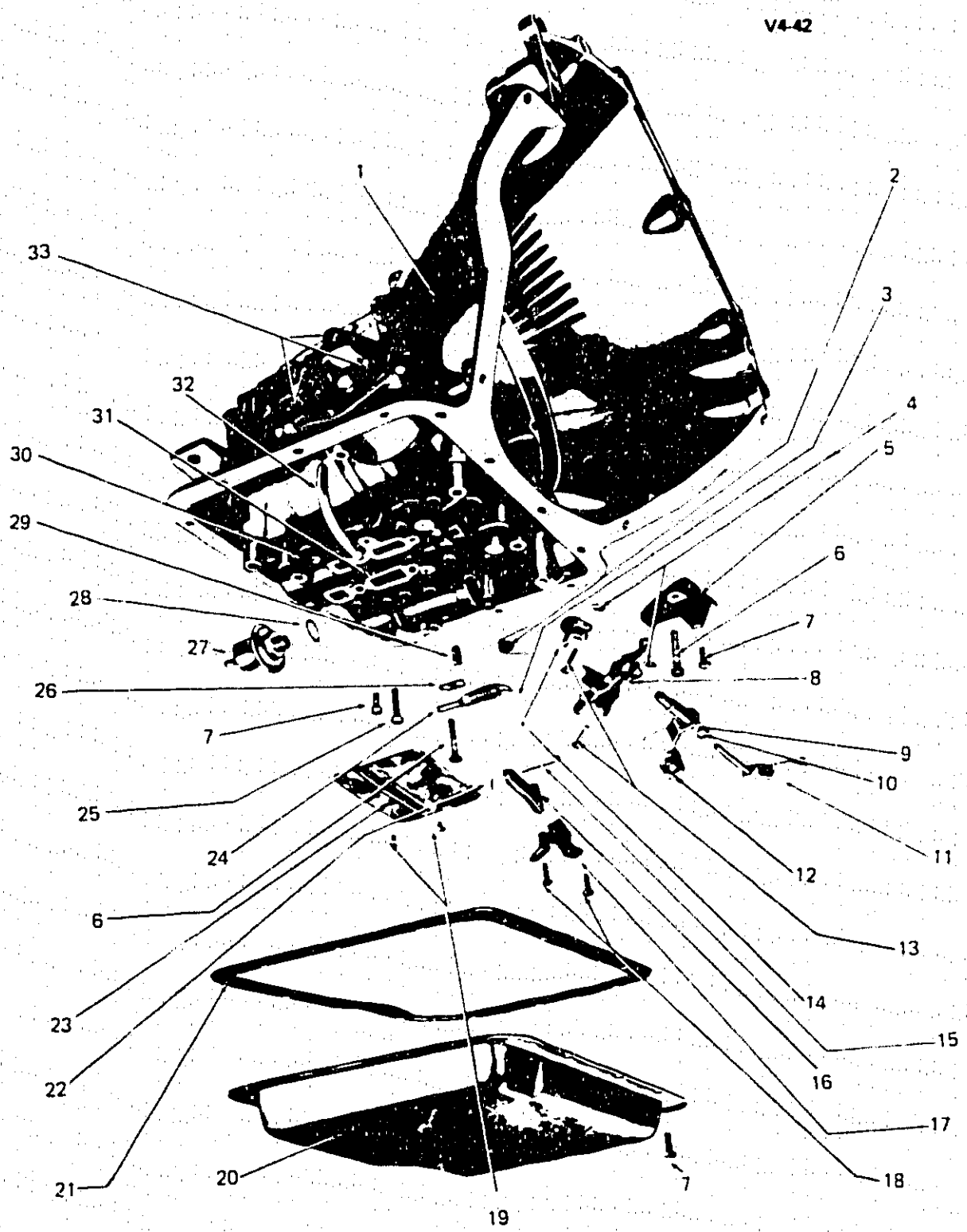
E 9	1. CARRIER ASM	4.175	E 9	18. STRUT	4.233
E 9	2. RING	4.164	E 9	19. STRUT ASM	4.233
E 9	3. WASHER	4.162	E 9	20. CONVERTER ASM, Welded	4.115
E 9	4. FLANGE ASM	4.162	E 9	21. SHAFT	4.123
E 9	5. WASHER	4.164	E 9	22. RING	4.123
E 9	6. PLATE, Driven	4.163	E 9	23. Part of 4.162 WASHER UNIT	N.S.
E 9	7. HUB	4.164	E 9	24. SEAL	4.203
E 9	8. WASHER	4.169	E 9	25. BOLT	4.203
E 9	9. SEAT	4.164	E 9	26. Part of 4.200 PUMP ASM	N.S.
E 9	10. SPRING	4.164	E 9	27. VALVE	4.216
E 9	11. PISTON	4.166	E 9	28. COVER ASM	4.203
E 9	12. Part of 4.166 SEAL UNIT	N.S.	E 9	29. GASKET	4.203
E 9	13. BUSHING	4.162	E 9	30. RING	4.169
E 9	14. DRUM ASM	4.169	E 9	31. Part of 4.203 VALVE UNIT	N.S.
E 9	15. BAND ASM	4.251	E 9	32. PIN	N.S.
E 9	16. NUT	4.480	E 9	33. PLATE, Drive	4.183
E 9	17. SCREW	4.253	E 9	34. SEAL, Part of 4.203 SEAL UNIT	N.S.



V4-43

1962-67 ALUMINUM POWERGLIDE TRANSMISSION GOVERNOR

	1.	BODY, Part of 4.256 GOVERNOR ASM	N.S.
E 9	2.	SPRING	4.256
E 9	3.	WEIGHT	4.256
E 9	4.	RING	4.256
E 9	5.	RING	4.259
	6.	RING	3.934
E 9	7.	WEIGHT ASM	4.256
E 9	8.	BOLT	4.256
E 9	9.	SPRING	4.256
E 9	10.	SHAFT	4.256
E 9	11.	VALVE	4.256
E 9	12.	GASKET	4.256
E 9	13.	RING	4.189
	14.	HUB, Part of 4.256 GOVERNOR ASM	N.S.
E 9	15.	SCREW	4.256



V4-42

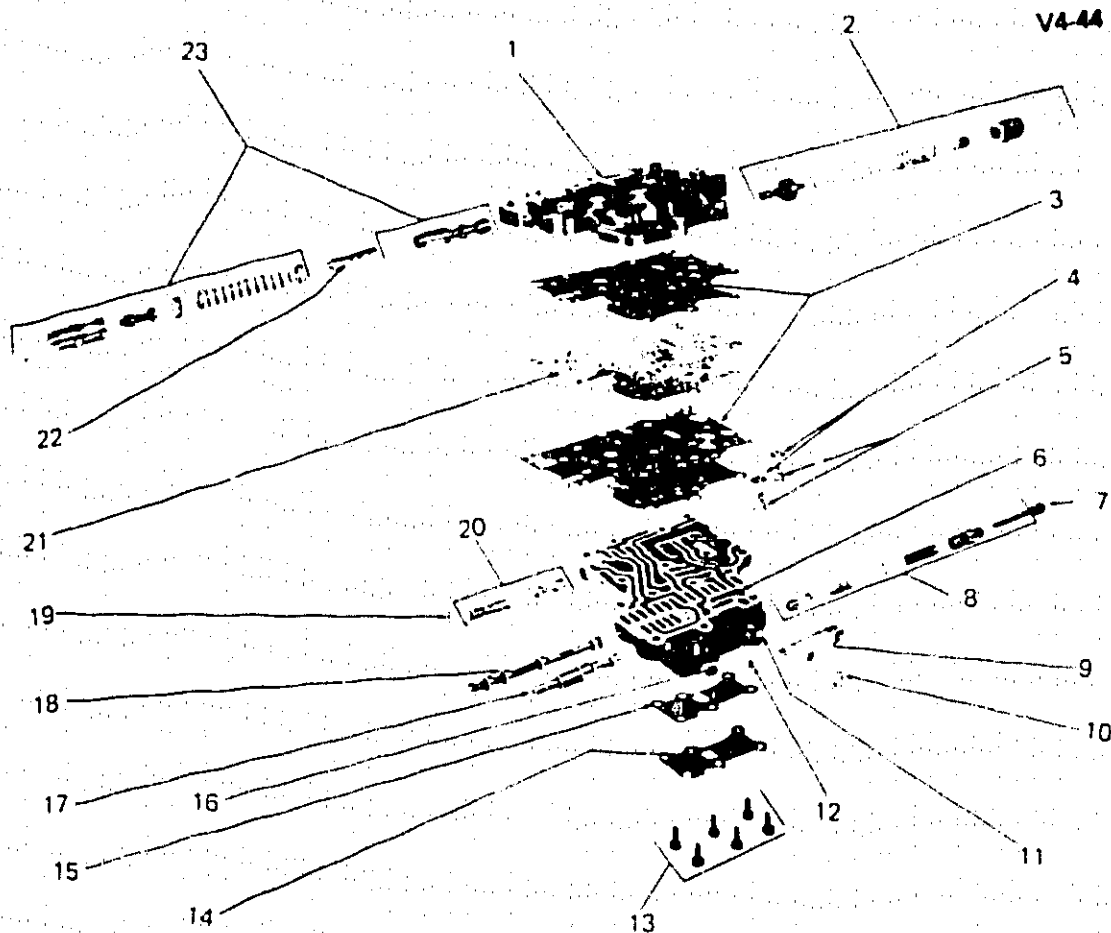
V4-42

1962-67 ALUMINUM POWERGLIDE TRANSMISSION CASE AND LINKAGE

V4-42

1962-67 ALUMINUM POWERGLIDE TRANSMISSION CASE AND LINKAGE

E 9	1. CASE	4.103
E 9	2. SPRING	4.220
E 9	3. CLIP	4.205
	4. NUT (1/4"-20)	N.S.
E 9	5. GUIDE	4.218
	6. BOLT (5/16"-18 x 1 3/4")	8.900
	7. BOLT (5/16"-18 x 3/4")	8.900
E 9	8. LEVER ASM	4.218
E 9	9. SEAL	4.278
E 9	10. WASHER	4.278
E 9	11. LEVER ASM	4.050
E 9	12. LEVER ASM	4.045
	13. SCREW (1/4"-20 x 7/8")	N.S.
E 9	14. LEVER	4.278
E 9	15. SHAFT	4.200
E 9	16. PAWL	4.220
E 9	17. BRACKET	4.220
	18. BOLT (5/16"-18 x 7/8")	8.900
	19. SCREW (1/4"-20 x 3/8")	8.913
E 9	20. PAN	4.195
E 9	21. GASKET	4.196
	22. PIN (1/16" x 1/2")	8.939
E 9	23. SCREEN ASM	4.197
E 9	24. ACTUATOR ASM	4.220
	25. BOLT (5/16"-18 x 1 3/8")	8.900
E 9	26. RETAINER	4.218
E 9	27. MODULATOR	4.205
E 9	28. GASKET	4.205
E 9	29. SPRING	4.218
E 9	30. VALVE BODY ASM	4.216
E 9	31. GASKET	4.197
E 9	32. TUBE	4.216
	33. BOLT (3/8"-16 x 7/8")	8.900

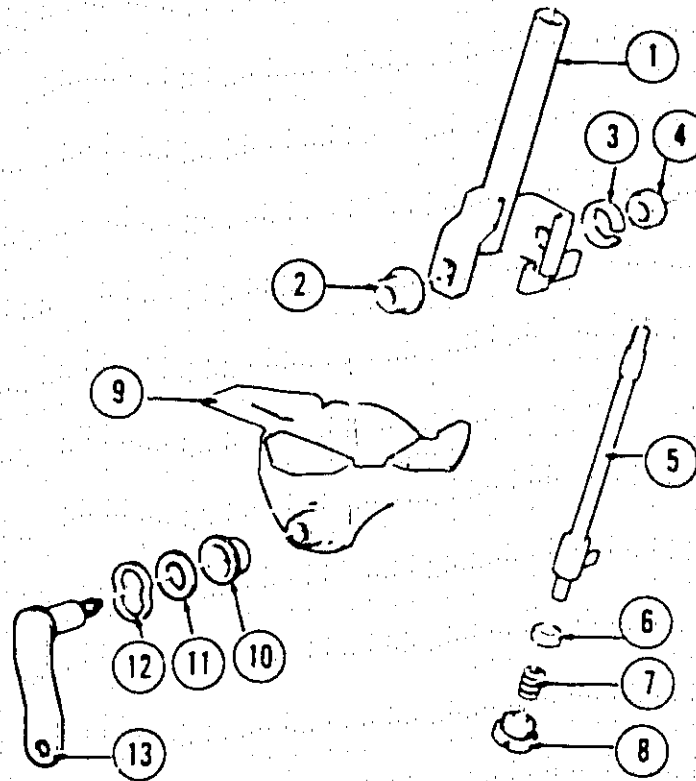


V4-44

1962-67 ALUMINUM POWERGLIDE TRANSMISSION VALVE BODY

E 9	1. BODY ASM, Lower	4.216
	2. Part of 4.216 BODY ASM	N.S.
E 9	3. GASKET	4.217
E 9	4. VALVE	4.200
E 9	5. SPRING	4.216
E 9	6. BODY ASM, Upper	4.216
E 9	7. NUT	4.217
	8. Part of 4.216 BODY ASM	N.S.
E 9	9. LEVER ASM	4.218
	10. RING	8.934
	11. PIN, Part of 4.216 BODY ASM	N.S.
	12. STUD, Button Head (13/64") Part of 4.216 Body Asm	N.S.
	13. BOLT (1/4"-20 x 5/8") Use W/8.932 WASHER (1/4")	8.900
	14. PLATE, Part of 4.216 BODY ASM	N.S.
E 9	15. GASKET	4.217
E 9	16. SCREEN	4.265
E 9	17. VALVE	4.205
E 9	18. VALVE	4.216
	19. PIN	8.939
	20. Part of 4.216 BODY ASM	N.S.
E 9	21. PLATE	4.215
E 9	22. DAMPER ASM	4.216
	23. Part of 4.216 BODY ASM	N.S.

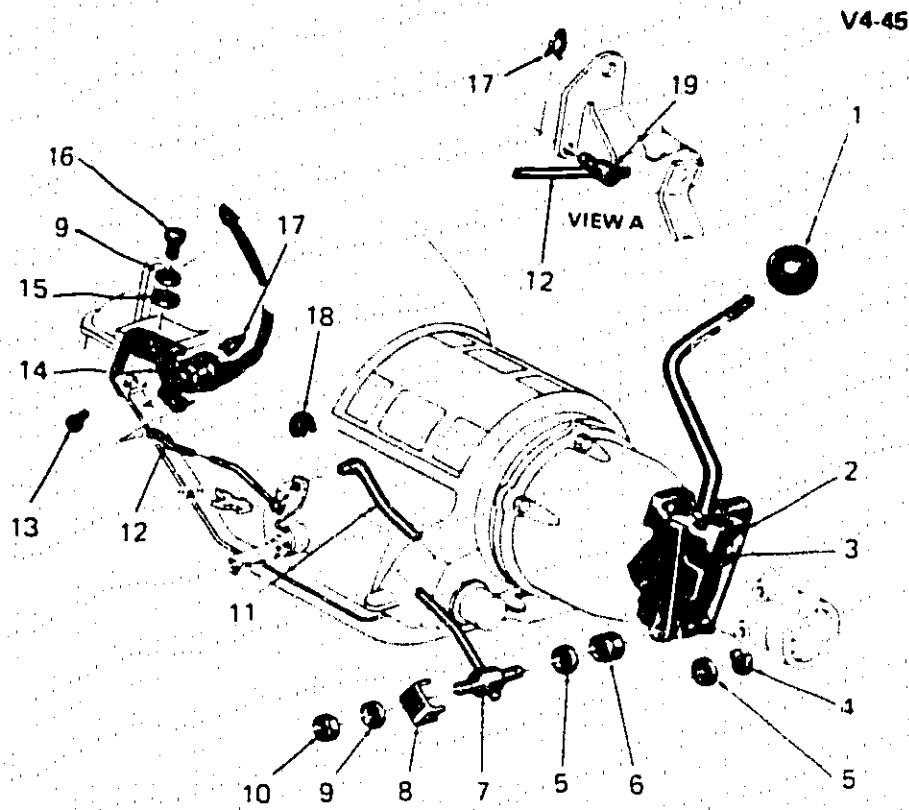
V4-10



V4-10

1965-67 'Y' POWERGLIDE CONTROL LEVER

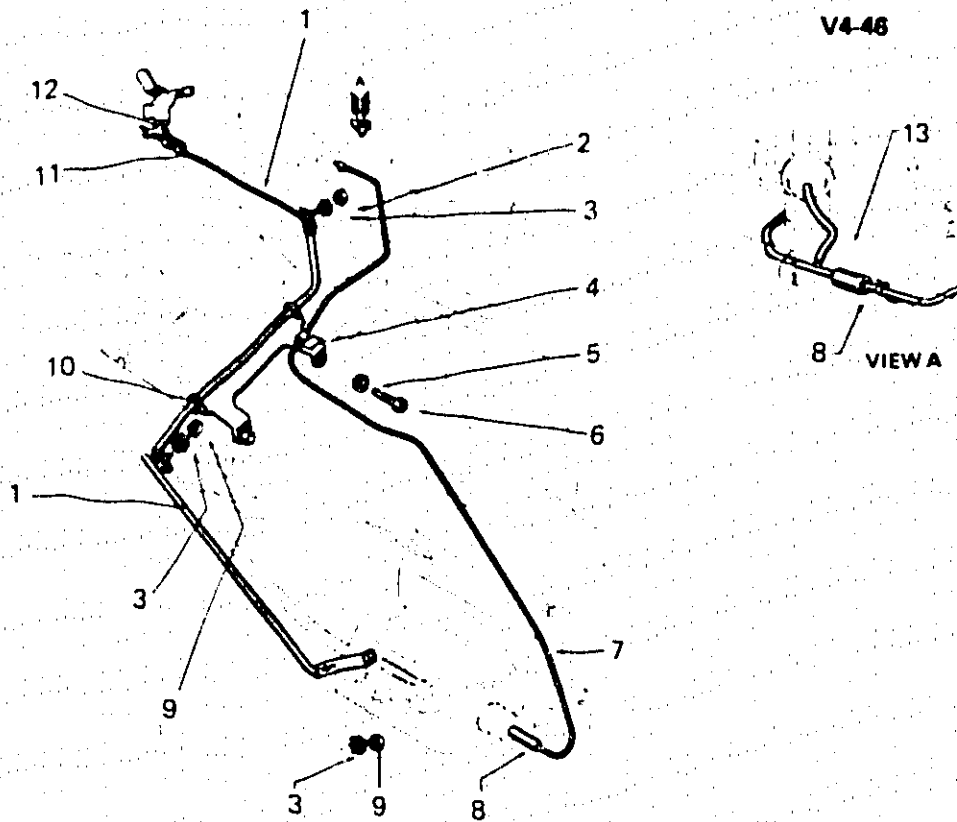
E	9	1. LEVER, Control	4.006
E	9	2. BUSHING, Release Cable Handle	4.008
		3. WASHER (5/16")	8.931
		4. NUT (5/16"-18)	8.915
E	9	5. ROD, Control Lever	4.005
E	9	6. WASHER	4.022
E	9	7. SPRING, Shift Tube Thrust	4.027
E	9	8. PLUG, Control Lever	4.008
E	9	9. BRACKET ASM, Control Lever	4.010
E	9	10. BUSHING, Release Cable Handle	4.008
		11. WASHER (5/8")	8.931
		12. WASHER, Wave Type (5/8")	8.928
E	9	13. LEVER, Control Shaft	4.006



V4-45

1963-64 'Y' A.T. FLOOR SHIFT CONTROLS

E 9	1. KNOB	4.006
	2. BRACKET ASM	N.S.
	3. BOLT (3/8"-16 x 1") Use With 8.931 L/Washer (3/8")	8.900
	4. RING (1/2")	8.934
E 9	5. WASHER	4.017
E 9	6. GROMMET	4.016
E 9	7. SWIVEL	4.017
E 9	8. CLAMP	4.017
	9. WASHER, Lock (5/16")	8.931
	10. NUT (5/16"-24)	8.916
E 9	11. ROD	4.019
E 9	12. ROD	4.054
	13. BOLT (1/4"-20 x 7/16")	8.900
E 9	14. SWITCH ASM	4.054
	15. WASHER (13/32")	8.929
	16. BOLT (5/16"-18 x 1 1/4")	8.900
	17. SPRING (1/8")	8.934
E 9	18. CLIP	4.020
E 9	19. SWIVEL	4.054

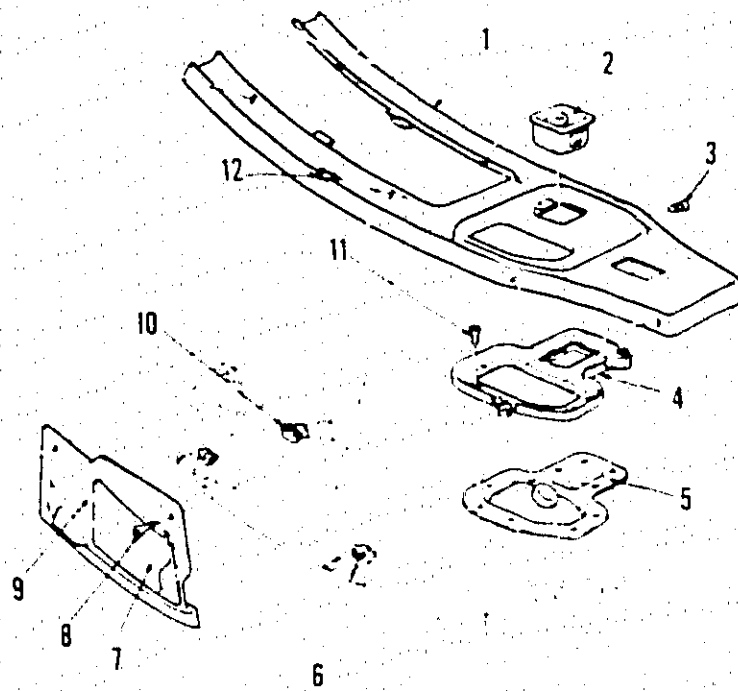


V4-46

1963-67 'Y' A.T. CARBURETOR LINKAGE

E 9	1. ROD	4.050
	2. NUT (1/4"-28)	8.915
	3. WASHER, Lock (1/4")	8.932
E 9	4. CLIP	4.205
	5. WASHER, Lock (5/16")	8.931
	6. BOLT (5/16"-18 x 1 1/2")	8.900
	7. PIPE ASM (3/16") Cut From Bulk	N.S.
	8. HOSE (7/32")	8.982
	9. NUT (1/4"-28)	8.915
E 9	10. SHAFT ASM. W/Bracket	4.040
E 9	11. CLIP	4.052
N 18	12. SWIVEL	3.425
	13. HOSE (5/32")	8.962

V4-11

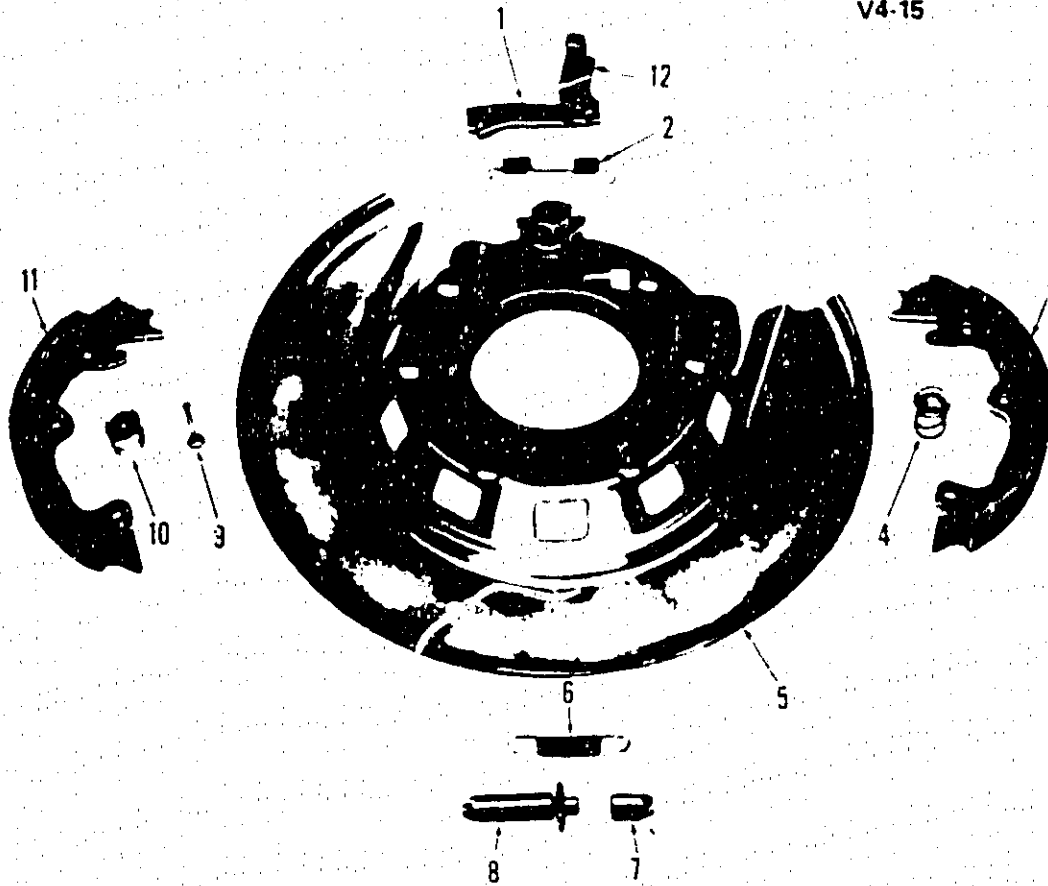


V4-11

1963-67 'Y' FLOOR CONSOLE

E 9	1. PLATE, Lever & Ash Tray Trim	4.017
N 22	2. TRAY ASM, Ash	12.045
	3. SCREW (#8-18 x 1/2'')	8.977
E 9	4. RETAINER, Control Lever	4.027
E 9	5. SEAL, Control Lever	4.015
	6. "J" NUT (#8-15)	8.921
N 22	7. PLATE, Console Trim	10.240
	8. SCREW (#10-12 x 5/8'')	8.977
N 22	9. PANEL, Left Console Trim	10.230
	10. "U" NUT (#10-12)	8.921
	11. SCREW (#10-24 x 1/2'')	8.977
	12. SCREW (#8-18 x 3/4'')	8.977

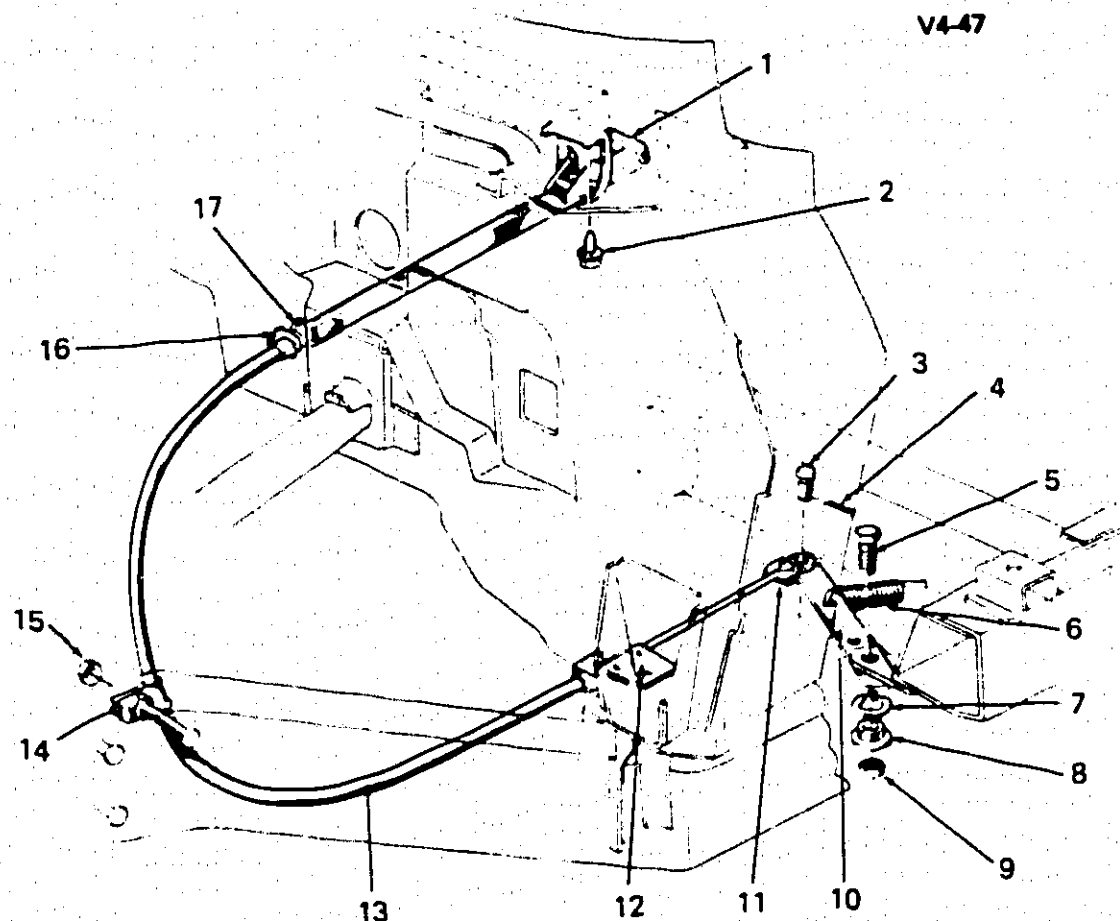
V4-15



V4-15

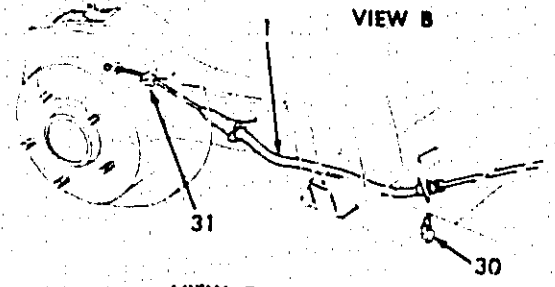
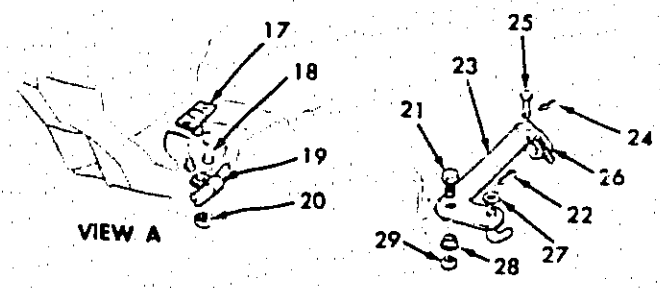
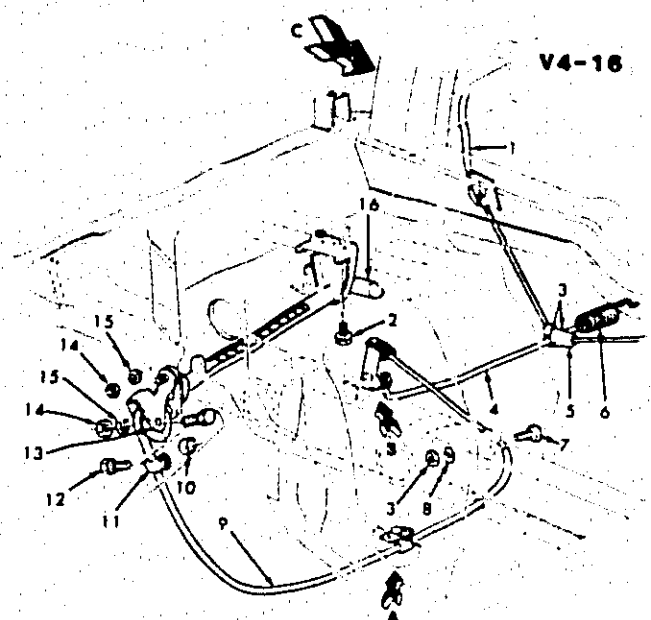
1965-82 'Y' PARKING BRAKE

H 11	1. STRUT, Parking Brake Shoe Lever (Part of #12)	5.150
H 10	2. SPRING, Parking Brake Pull Back	5.028
H 10	3. SHOE, Rear	5.017
	4. SPRING, Part of Pin Unit	N.S.
H 10	5. PLATE ASM, Flange Front	5.001
H 10	6. SPRING, Adjusting Screw Frt & Rear	5.028
H 11	7. SOCKET, Adjusting Parking Brake	5.111
H 11	8. NUT, Pivot Frt & Rear	5.111
	9. PIN, Part of Pin Unit	N.S.
	10. SPRING, Part of Pin Unit	N.S.
H 10	11. SHOE, Front	5.017
H 11	12. LEVER ASM, Parking Brake	5.149



1963 'Y' PARKING BRAKE SYSTEM

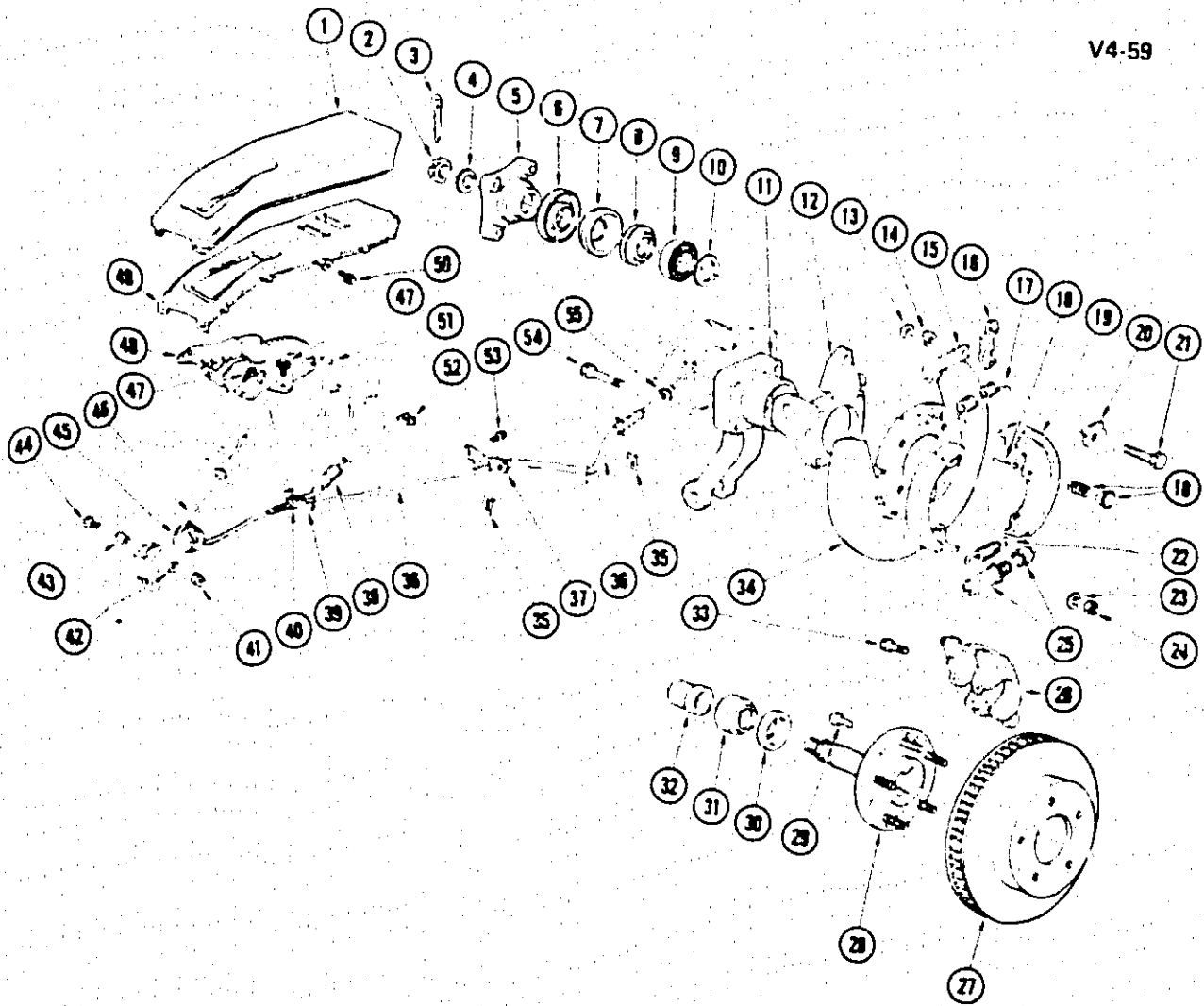
G 21	1. LEVER ASM	4.591
	2. BOLT (5/16"-18 x 3/4") W/8.932 Ext Tooth L/Washer (5/16") W/8.929 Washer (5/16")	8.900
	3. PIN (5/16")	8.942
	4. C/PIN (3/32" x 1")	8.938
	5. BOLT (5/16"-18 x 1 1/8")	8.900
G 25	6. SPRING	4.760
	7. WASHER	8.928
G 26	8. SPACER	4.792
	9. NUT (5/16"-18)	8.915
G 26	10. LEVER	4.792
G 25	11. CLEVIS	4.765
G 26	12. BRACKET	4.833
G 25	13. CABLE ASM	4.779
	14. CLIP (5/16")	N.S.
	15. NUT (3/8"-24)	8.915
G 26	16. RETAINER	4.785
G 25	17. RETAINER	4.785



1964-66 'Y' PARKING BRAKE SYSTEM

G 25	1. CABLE ASM, Rear (87 1/2" OL)	4.779	G 21	16. LEVER ASM, Parking Brake	4.591
	2. SCREW (5/16"-18 x 7/8")	8.900	N 21	17. BRACKET ASM	8.857
	3. NUT (5/16"-18)	8.915		18. RIVET (3/16"-5/8")	8.967
G 25	4. ROD	4.765		19. CLIP (7/16")	8.950
G 25	5. EQUALIZER, Parking Brake	4.765		20. NUT (1/4"-20)	8.916
G 25	6. SPRING, Parking	4.760		21. BOLT (5/16"-18 x 1 1/8")	8.900
	7. BOLT (5/16"-18 x 1")	8.900	E 9	22. PIN, Cotter Trans Control Rod	4.037
	8. WASHER, Lock (5/16")	8.931	G 26	23. LEVER, Idler	4.792
G 25	9. CABLE ASM, Frt	4.779		24. PIN, COTTER (3/32" x 1")	8.938
G 26	10. SPACER, Pulley	4.790		25. PIN (5/16")	8.942
	11. BRACKET ASM	N.S.	G 25	26. CLEVIS, Parking Brake Frt Cable	4.765
	12. BOLT (3/8"-16 x 1")	8.900		27. WASHER (3/8" ID)	8.929
G 26	13. PULLEY (9/16" ID)	4.790	G 26	28. SPACER	4.790
	14. NUT (5/16"-18)	8.915		29. NUT (5/16"-18)	8.917
	15. WASHER, Lock (5/16")	8.931	G 26	30. RETAINER, Frt Cable Lever Asm	4.785
			G 26	31. GUIDE, Cable	4.785

NOTE: Rear Disc Brake as shown in View "C" were used beginning in 1965.



V4-59

V4-59

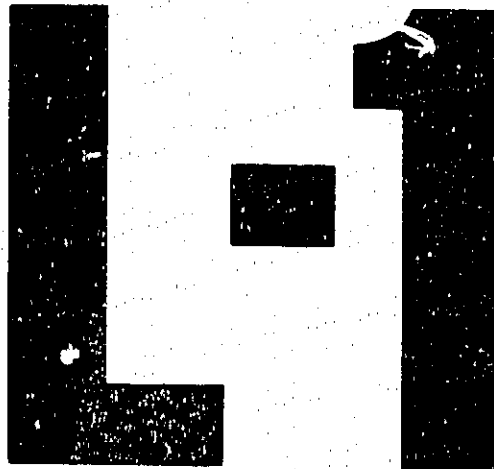
1968-82 'Y' PARKING BRAKE SYSTEM

1968-82 'Y' PARKING BRAKE SYSTEM

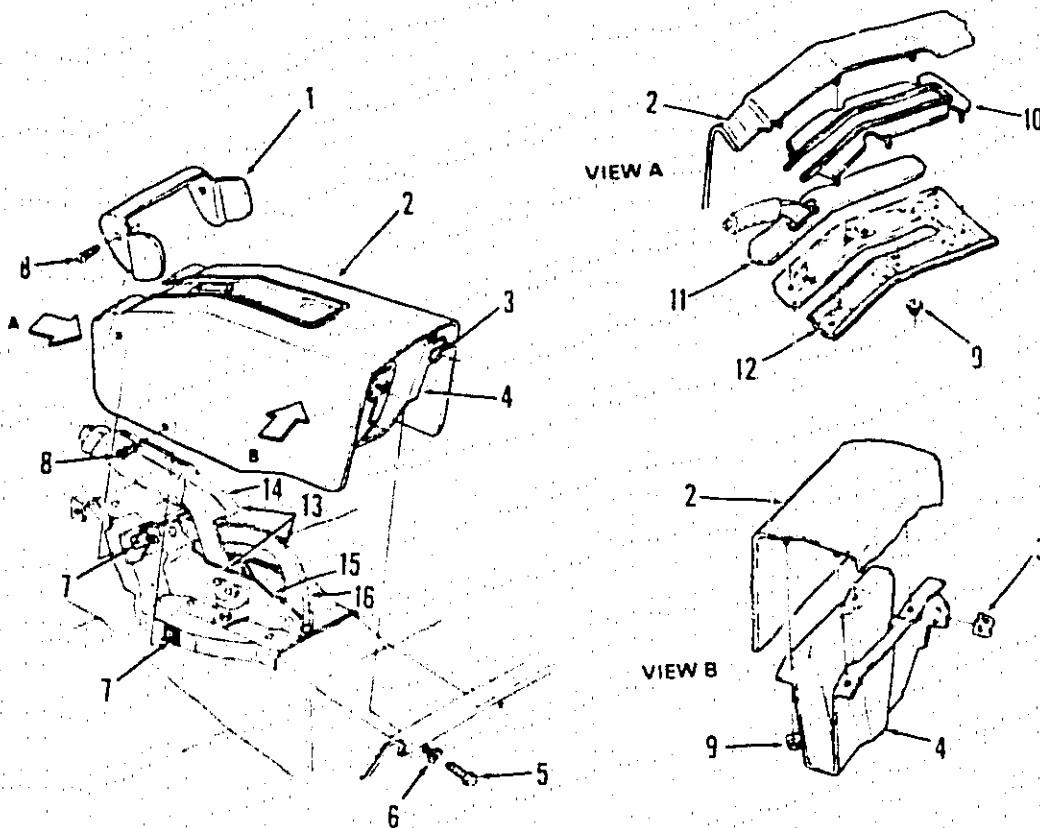
G 21	1. COVER, Parking Brake Lvr	4.612
N 19	2. NUT, Hex SL (3/4"-20)	6.022
	3. PIN, Cotter (1/8" x 1 1/2")	8.938
H 19	4. WASHER, Rr Whl Spdl Flg (7/32")	5.830
H 18	5. FLANGE, Rr Whl Spdl	5.806
H 13	6. DEFLECTOR, Rr Wh Spindle	5.425
H 19	7. SHIELD, Rr Whl Inr Brg Dust	5.815
H 19	8. SEAL, Rr Whl Brg Inr	5.822
H 19	9. BEARING, Rr Whl Inr	5.855
H 19	10. SHIM, Rr Wheel	5.855
H 12	11. SUPPORT, Rr Whl Spindle	5.380
H 10	12. BRACKET, Rr Brk Shoe Clpr Adap	5.001
H 11	13. CLIP, Park Brake Lvr Piv Pin	5.056
H 11	14. WASHER, Park Brake Lvr Piv Pin	5.158
H 11	15. STRUT, Park Brake Shoe Lvr	5.150
H 11	16. LEVER, Park Brake Shoe	5.149
P 10	17. SPRING, Park Brake Shoe Pull Back	5.028
H 10	18. PIN KIT, W/Spring	5.043
H 10	19. SHOE KIT, Park Brake W/Facing	5.017
H 10	20. PLATE, Park Brake Shoe Anc Pin	5.045
H 11	21. BOLT, Park Brake Shoe Anc Pin (7/16"-20 x 1 1/16")	5.056
H 10	22. SPRING, Park Brake Adj Sc	5.028
	23. WASHER (3/8")	8.931
	24. NUT, Hex (3/8"-24)	8.915
H 11	25. SCREW, W/Nut, Parking Brake Adj	5.110
G 23	26. HOUSING, Brake Caliper	4.665
H 18	27. DISC, Rr Brake	5.809
H 18	28. SPINDLE	5.806
	29. RIVET, Spindle	N.S.
H 19	30. SEAL, Rr Whl Brg Otr	5.822
H 19	31. BEARING ASM, Rr Whl Otr (6.311)	5.855
H 19	32. SPACER, Rr Whl Brg	5.816
	33. BOLT (7/16"-20 x 1 1/8")	8.900
H 10	34. PLATE, Park Brake Flg	5.001
G 26	35. RETAINER, Park Brake Rr Cabie	4.785
G 25	36. CABLE, Park Brake Rr	4.779
G 26	37. BRACKET, Park Brake Cabie Rr	4.785
H 10	38. SPRING, Park Brake Lvr Return	5.001
G 25	39. EQUALIZER, Park Brake Rr Cable	4.765
	40. NUT, Hex (5/16"-24)	8.915
	41. NUT, Hex (1/2"-13)	8.915
	42. WASHER, Lock (1/2")	8.931
G 26	43. SPACER, Park Brake Cable Pulley	4.790
	44. BOLT, Hex (1/2"-13 x 1 3/4")	8.900
G 26	45. PULLEY, Park Brake Cable	4.790
G 25	46. CABLE, Park Brake Frt	4.779
	47. BOLT, Hex (5/16"-18 x 5/8")	8.900
G 21	48. LEVER, Park Brake	4.591
G 21	49. RETAINER, Lever Cvr	4.612
	50. SCREW, Tap (#10-16 x 5/8")	8.977
	51. PIN	8.939
	52. NUT, "U" Spring (#10-16)	8.921
	53. SCREW, Hex Tap (5/16"-18 x 1/2")	8.977
H 10	54. BOLT, Hex (3/8"-24 x 2 7/8")	5.002
G 26	55. GUIDE, Park Brake Cable	4.785

MICROFICHE INDEX
GROUPS 4.000 THRU 5.000
FICHE 3 OF 6

GROUP DESCRIPTION	STARTING GRID LOCATION	
	PARTS ILLUSTRATIONS	
- INTRODUCTION	A-6	I-2
- GENERAL INFORMATION	A-2	I-2
- ALPHABETICAL INDEX	C-11	N.A.
- INDEX FOR ADDITIONAL INFORMATION	A-5	N.A.
4.000 TRANSMISSION - BRAKES	E-2	I-6
5.000 BRAKES - REAR AXLE - PROPELLER SHAFT - WHEELS	H-7	L-19
- OUT OF FICHE CALLS	N.A.	N-16



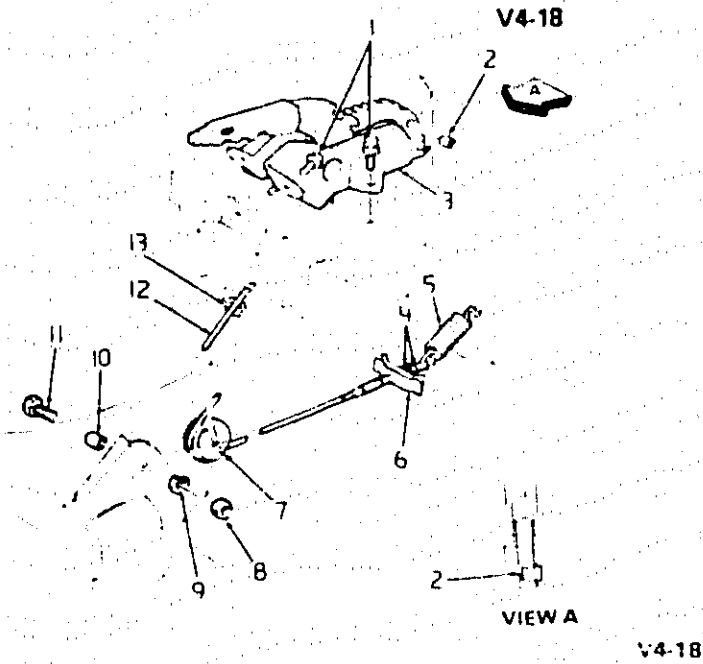
V4-17



V4-17

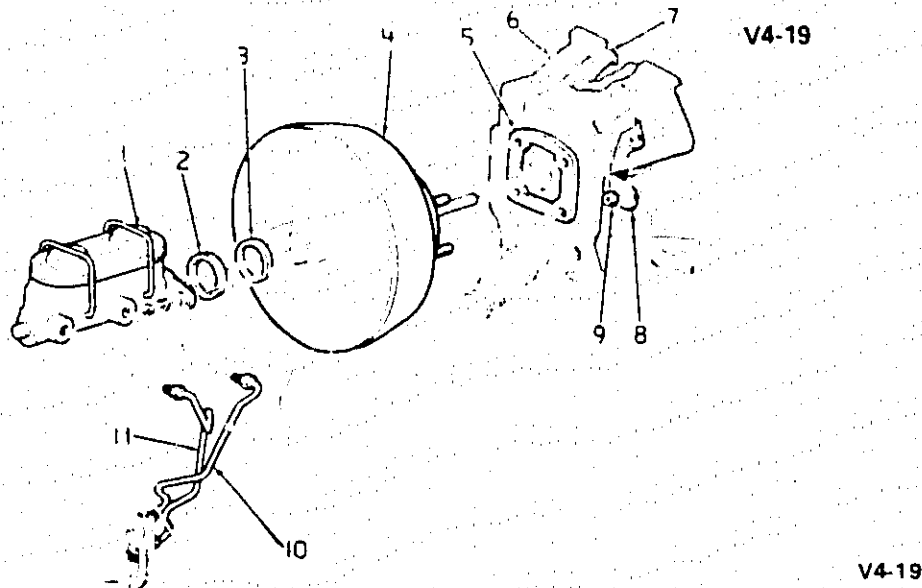
15/17 'Y' PARKING BRAKE LEVER

N 27	1. RETAINER, Seat Belt Stowage	14.875
N 22	2. COVER ASM, Underbody Tunnel	12.981
	3. "J" NUT (1/4"-20)	8.921
N 22	4. REINFORCEMENT, U/B Tunnel Cover	12.981
	5. BOLT (1/4"-20 x 7/8")	8.900
	6. WASHER (17/64")	8.929
	7. "J" NUT (#10-16)	8.921
	8. SCREW (#10-16 x 3/4")	8.977
	9. NUT (#10-24)	8.921
N 22	10. RING, U/B Tunnel Cvr Trim	12.981
G 21	11. SEAL, Parking Brake Lever	4.612
H 11	12. RETAINER, Seal	5.158
G 21	13. LEVER ASM, Parking Brake	4.591
	14. LEVER AND HANDLE, Part of #13 Lever Asm	N.S.
	15. BRACKET, Part of #13 Lever Asm	N.S.
	16. SECTOR, Part of #13 Lever Asm	N.S.



1967-82 'Y' PARKING BRAKE LEVER

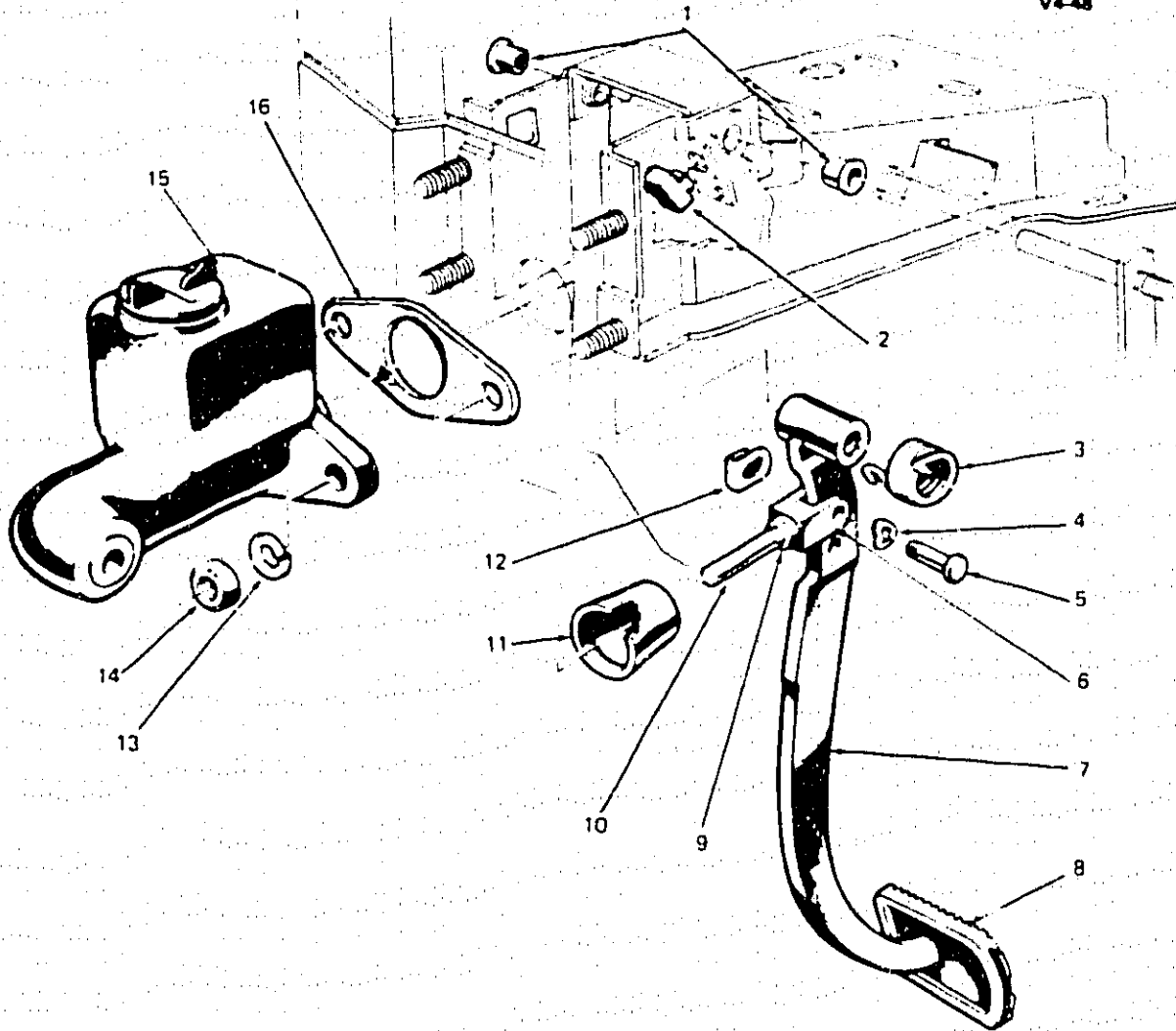
	1. BOLT (5/16"-18 x 5/8")	8.900	G 26	7. PULLEY, Parking Brake Cable	4.790
	2. PIN, Spring	8.939		8. NUT (1/2"-13)	8.915
G 21	3. LEVER ASM, Parking Brake	4.591		9. WASHER	8.931
	4. NUT (5/16"-24)	8.917	G 26	10. SPACER, Pulley	4.790
G 25	5. SPRING, Parking	4.760		11. BOLT (1/2"-13 x 3/4")	8.900
G 25	6. EQUALIZER, Cable	4.765	G 25	12. CABLE (29 5/16" OL)	4.779
			N 21	13. GROMMET, Parking Brake Cable	9.775



1968-82 'Y' MASTER CYLINDER MOUNTING

G 22	1. CYLINDER, Hvd Brake Main	4.650	G 21	6. COVER, Brake Pedal Housing	4.648
G 26	2. GASKET, Brake Main Cyl Seal Rubber	4.910	G 21	7. HOUSING ASM, Brake Pedal	4.648
G 26	3. RETAINER, Main Cyl Seal Gasket	4.910	N 17	8. STRIKER, Switch	2.447
G 26	4. BOOSTER ASM, Vacuum Power Brake	4.901		9. NUT (3/8"-16)	8.917
G 27	5. GASKET, Vacuum Power Brake	4.931		10. PIPE ASM (Cut as Req)(1/4")	8.964
				11. PIPE ASM (Cut as Req)(1/4")	8.964

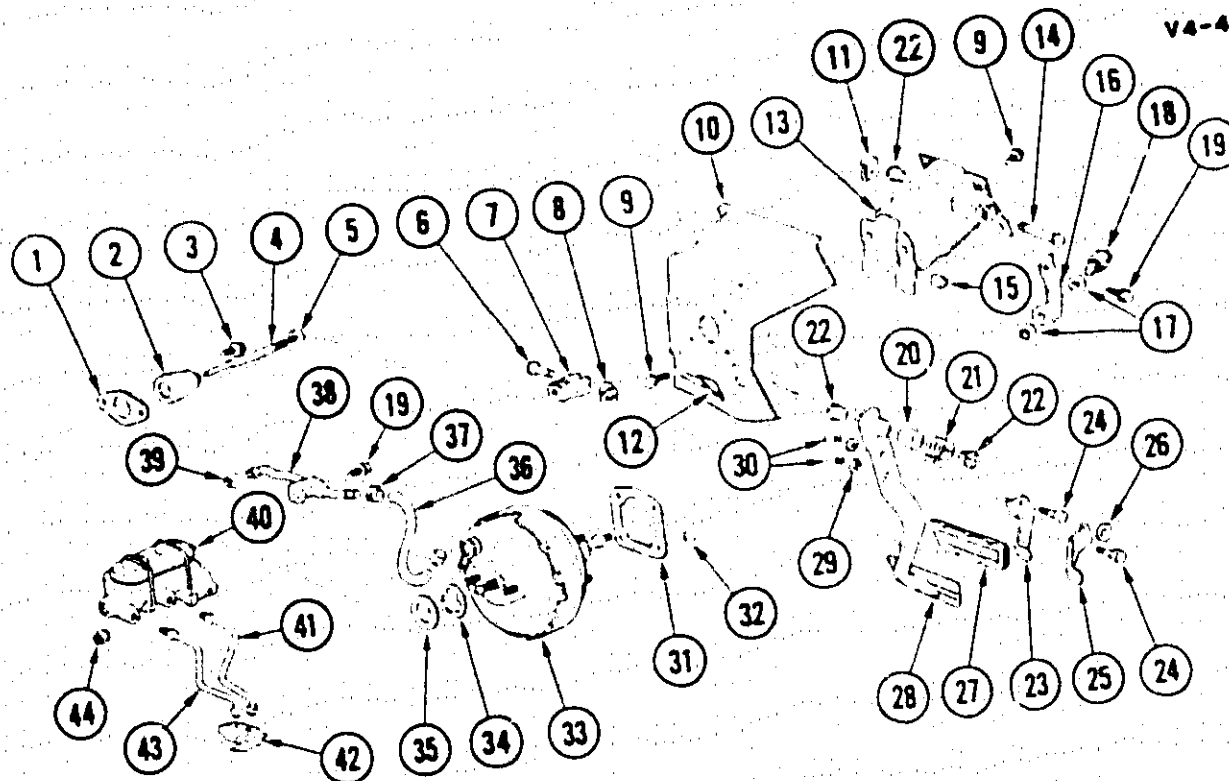
V4-48



V4-48

1963-67 'Y' BRAKE PEDAL LINKAGE

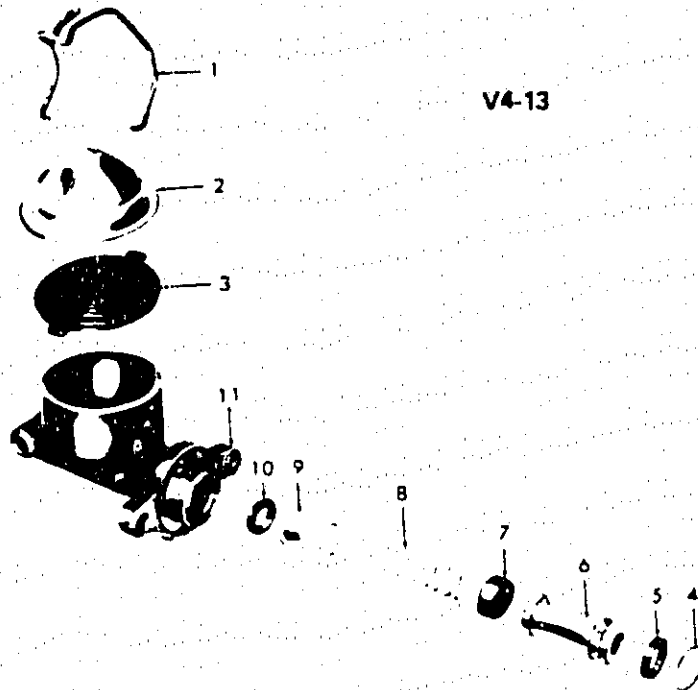
G 21	1. BUSHING	4.626	G 22	9. NUT (3/8"-24)	8.915
N 17	2. BUMPER	0.829	G 22	10. ROD	4.658
G 26	3. SPRING	4.827	G 22	11. BOOT	4.659
G 22	4. WASHER	4.659		12. RETAINER	N.S.
	5. PIN	N.S.		13. WASHER, Lock (3/8")	8.931
G 26	6. CLEVIS	4.824	G 22	14. NUT (3/8"-16)	8.915
G 21	7. PEDAL ASM	4.625	G 21	15. CYLINDER ASM	4.650
G 21	8. COVER	4.630	G 21	16. GASKET	4.648



V4-4

1968-82 'Y' BRAKE PEDAL & MASTER CYLINDER MOUNTING

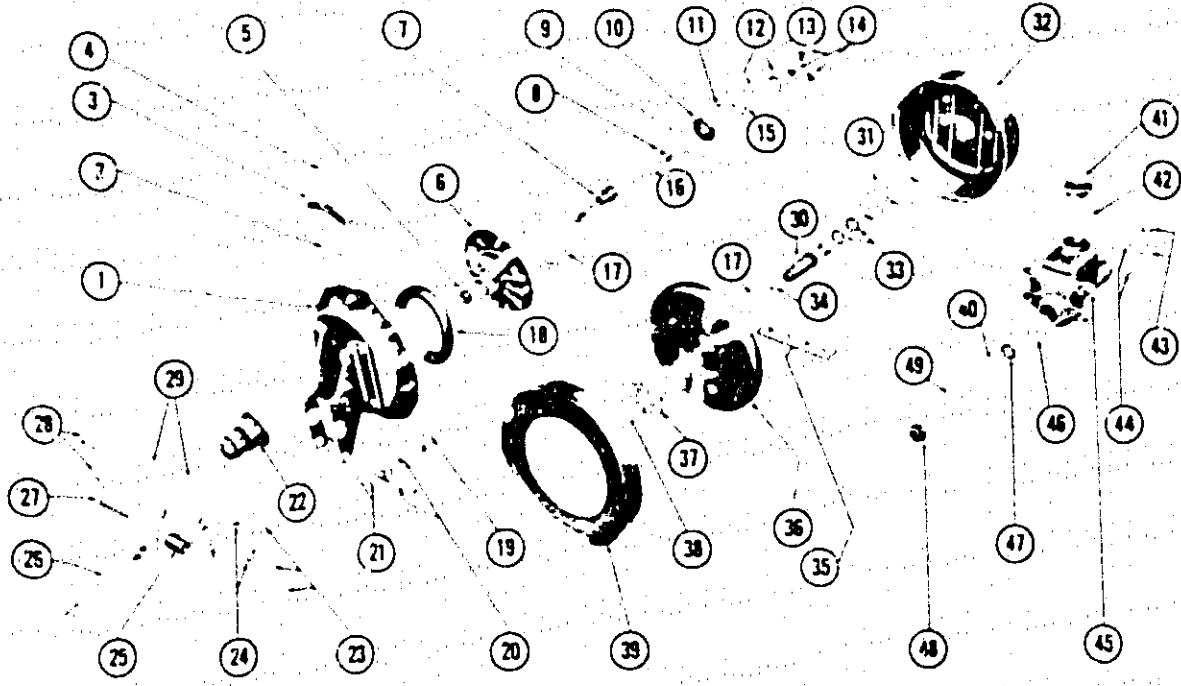
G 21	1. GASKET, Brake Main Cylinder Mtg	4.648	N 17	23. STRIKER, Pedal Stop Lamp Switch (Power)	2.447
G 22	2. BOOT, Main Cylinder Brake	4.859		24. BOLT (5/16"-18 x 7/8")	8.900
G 21	3. BOLT, Main Cylinder (3/8"-16 x 1 3/8")	4.648	N 17	25. STRIKER, Pedal Stop Lamp Switch (Man)	2.447
G 22	4. ROD, Valve Operating	4.858	G 22	26. WASHER, Main Cyl Clevis	4.659
	5. NUT (3/8"-16)	8.916	G 21	27. COVER, Pedal Pad	4.630
G 22	6. PIN, Pedal Push Rod Clevis	4.662	G 21	28. PEDAL, Brake	4.625
G 22	7. CLEVIS, Brake Pedal to Brake Main Cyl Clevis	4.662	G 22	29. WASHER (5/16" x 19/32")	8.931
G 22	8. RETAINER, Clevis Pin	4.662		30. NUT, Hex (5/16"-18)	8.915
	9. SCREW (5/16"-18 x 13/16")	8.977	G 27	31. GASKET, Vacuum	4.931
G 21	10. COVER, Brake Pedal Hsg	4.648	G 26	32. NUT, Vacuum (3/8"-16)	4.901
G 21	11. RETAINER, Pedal Shaft	4.834	G 26	33. BOOSTER, Power Brake	4.901
G 21	12. REINFORCEMENT	4.634	G 26	34. RETAINER, Main Cyl Seal Gasket	4.910
G 21	13. HOUSING, Pedal	4.848	G 26	35. GASKET, Main Cyl Seal	4.910
G 21	14. SHAFT, Brake	4.634		36. HOSE, Brake	N.S.
N 17	15. BUMPER, Brake Pedal	0.829	N 17	37. CLAMP, Hose	1.166
N 17	16. BRACKET, Stop Lamp Switch	2.447	G 27	38. SUPPORT ASM, W/Pipe Brake	4.930
	17. NUT (1/2"-20)	8.921		39. CONNECTOR, Vacuum to Carburetor	8.963
N 17	18. SWITCH ASM, Stop Lamp	2.447	G 22	40. CYLINDER ASM, Hyd Brake Main	4.650
	19. SCREW (1/4"-14 x 1/2")	N.S.		41. PIPE (Cut as Req)	N.S.
G 21	20. BUSHING, Pedal Return Spring	4.626	G 26	42. SWITCH ASM, W/Dist Brake Pipe	4.874
G 25	21. SPRING, Pedal Return	4.760		43. PIPE (Cut as Req)	N.S.
G 21	22. BUSHING, Pedal Shaft	4.626		44. NUT (3/8"-16)	8.915



1964-66 BRAKE MASTER CYLINDER

G 22	1. BAIL, Reservoir Cover	4.651
G 22	2. COVER, Reservoir	4.651
G 22	3. GASKET, Reservoir	4.651
	4. RING, Part of Repair Kit	N.S.
G 22	5. CUP, Main Cylinder Piston	4.654
	6. PISTON, Part of Repair Kit	N.S.
G 22	7. CUP, Main Cylinder Piston	4.654
G 22	8. SPRING ASM, Secondary Piston	4.655
G 22	9. VALVE ASM, Main Cylinder	4.657
G 22	10. WASHER	4.659
	11. BODY, Part of Cylinder Asm	N.S.

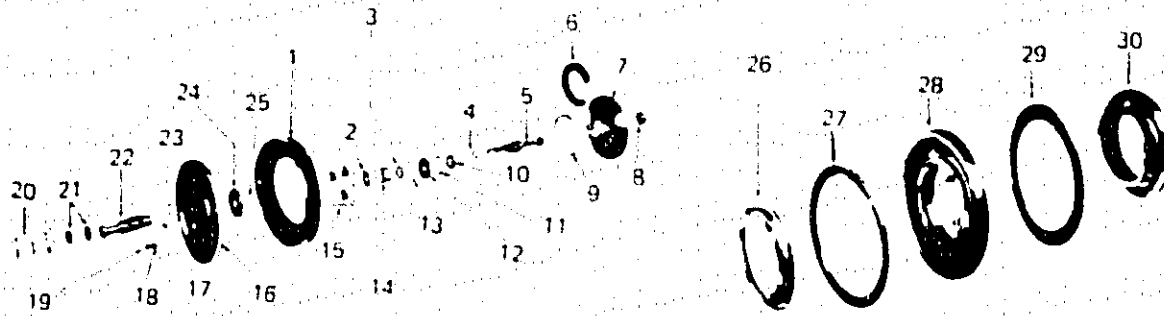
V4-49



V4-49

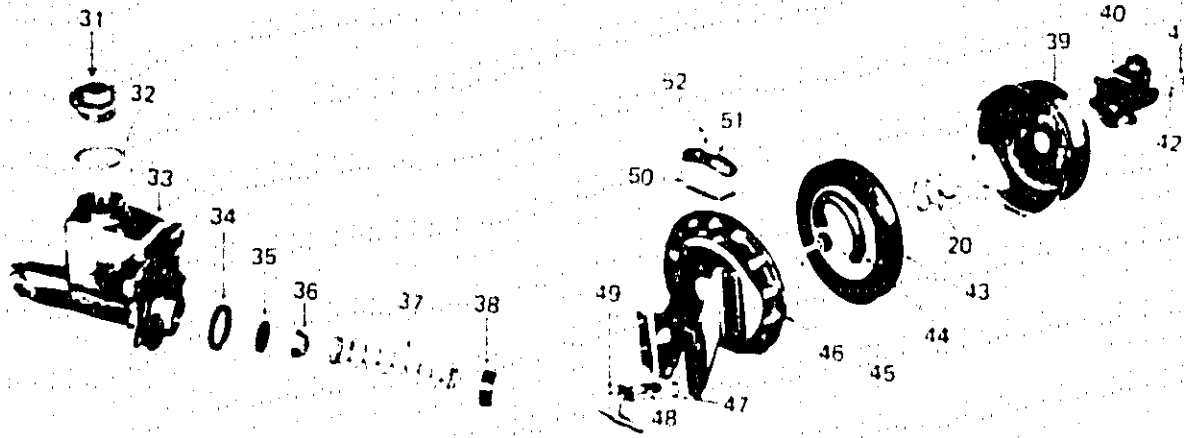
1959-61 MORAINÉ POWER BRAKE

G 26	1. SHELL ASM	4.906	G 22	26. ROD	4.658
	2. FILTER, Part of 4.901 CYLINDER ASM	N.S.	G 21	27. PIN (2 11/16" Long)	4.634
G 26	3. COVER	4.913	G 21	28. PIN (1 7/32" Long)	4.634
	4. SCREW (#8-32 x 7/16")	8.977	G 21	29. LEVER	4.634
G 22	5. BOOT, Inner	4.859	G 26	30. PISTON	4.915
G 27	6. PISTON	4.922	G 27	31. SPRING	4.924
G 22	7. ROD ASM	4.658	G 28	32. SHELL ASM	4.906
G 26	8. VALVE ASM	4.918	G 26	33. CUP	4.910
G 27	9. PLATE	4.935	G 26	34. BUMPER	4.918
G 27	10. DIAPHRAGM	4.935		35. BOLT (1/4" x 20 x 5/8") Use With 8.931 L/WASHER (1/4")	8.900
G 27	11. RETAINER, Reaction	4.935	G 27	36. PLATE, Piston	4.922
G 27	12. SPRING, Floating Valve	4.935	G 27	37. PLATE, Reaction	4.922
G 27	13. PLATE	4.934	G 27	38. RETAINER	4.934
G 27	14. LEVER	4.934	G 27	39. DIAPHRAGM	4.922
G 27	15. RETAINER, Floating Valve	4.935	G 22	40. VALVE	4.657
G 26	16. SPRING, Air Valve	4.918	G 22	41. CAP	4.651
G 27	17. SEAL	4.922	G 22	42. GASKET	4.651
G 27	18. HOSE	4.931		43. NUT (3/8" x 24)	8.915
G 27	19. GASKET	4.931		44. WASHER, Lock (3/8")	8.931
G 27	20. PLATE, W/Tube	4.931		45. BODY, Part of 4.650 CYLINDER ASM	N.S.
	21. BOLT (#8-32 x 1/4")	8.907	G 26	46. SEAL	4.910
G 22	22. BOOT, Rear	4.859	G 22	47. WASHER	4.857
	23. COTTER PIN (3/32" x 1")	8.938	G 22	48. CUP ASM	4.654
	24. WASHER (3/8")	8.929	G 22	49. SPRING	4.655
	25. BUSHING, Part of 4.634 LEVER ASM	N.S.			



BRAKE PISTON

FLOATING CONTROL VALVE



MASTER CYLINDER

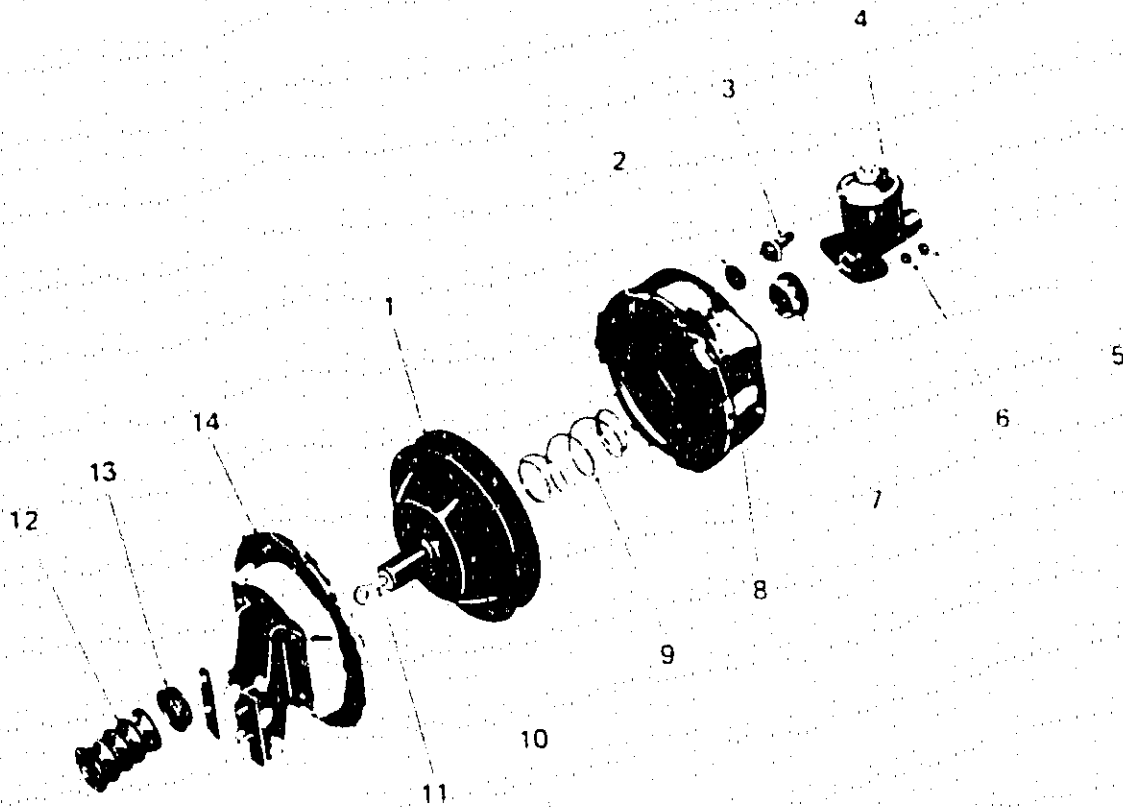
COMPRESSOR & REAR HOUSING ASSY.

V4-50

1959-61 MORAINÉ POWER BRAKE

G 27	1. DIAPHRAGM	4.922	G 27	27. RETAINER, Reaction	4.935
G 27	2. PLATE	4.934	G 27	28. DIAPHRAGM	4.935
G 27	3. RETAINER, Floating Valve	4.935	G 27	29. PLATE	4.935
G 26	4. SPRING, Air Valve	4.918	G 27	30. VALVE ASM	4.935
G 22	5. ROD ASM	4.658	G 22	31. CAP	4.651
G 27	6. HOSE	4.931	G 22	32. GASKET	4.651
G 27	7. PISTON	4.922	G 22	33. BODY, Part of 4.901 CYLINDER ASM	N.S.
G 22	8. BOOT, Inner	4.659	G 26	34. SEAL	4.910
G 27	9. SEAL	4.922	G 22	35. WASHER	4.657
G 26	10. VALVE ASM	4.918	G 22	36. VALVE	4.657
G 27	11. PLATE	4.935	G 22	37. SPRING	4.655
G 27	12. DIAPHRAGM	4.935	G 22	38. CUP ASM	4.654
G 27	13. RETAINER, Reaction	4.935	G 26	39. SHELL ASM	4.906
G 27	14. SPRING, Floating Valve	4.935	G 26	40. BODY, Part of 4.650 CYLINDER ASM	N.S.
G 27	15. LEVER	4.934	G 27	41. NUT (3/8"-24)	8.915
G 27	16. PLATE, Piston	4.922	G 27	42. WASHER, Lock (3/8")	8.931
G 26	17. BUMPER	4.918	G 27	43. DIAPHRAGM	4.922
G 26	18. WASHER, Lock, 4 Req (1/4")	8.931	G 27	44. HOSE	4.931
G 27	19. BOLT, 4 Req (1/4" x 5/8")	8.900	G 22	45. ROD ASM	4.658
G 27	20. SPRING	4.924	G 26	46. SHELL ASM	4.906
G 26	21. CUP	4.910	G 27	47. GASKET	4.931
G 26	22. PISTON	4.915	G 27	48. PLATE	4.931
G 27	23. SEAL	4.922	G 27	49. BOLT, 2 Req (#8-32 x 1/4")	8.907
G 27	24. PLATE, Reaction	4.922	G 26	50. FILTER, Part of 4.901 CYLINDER ASM	N.S.
G 27	25. RETAINER	4.934	G 26	51. COVER	4.913
G 27	26. RETAINER, Floating Valve	4.935	G 26	52. SCREW (#8-32 x 7/16")	8.977

V4-51

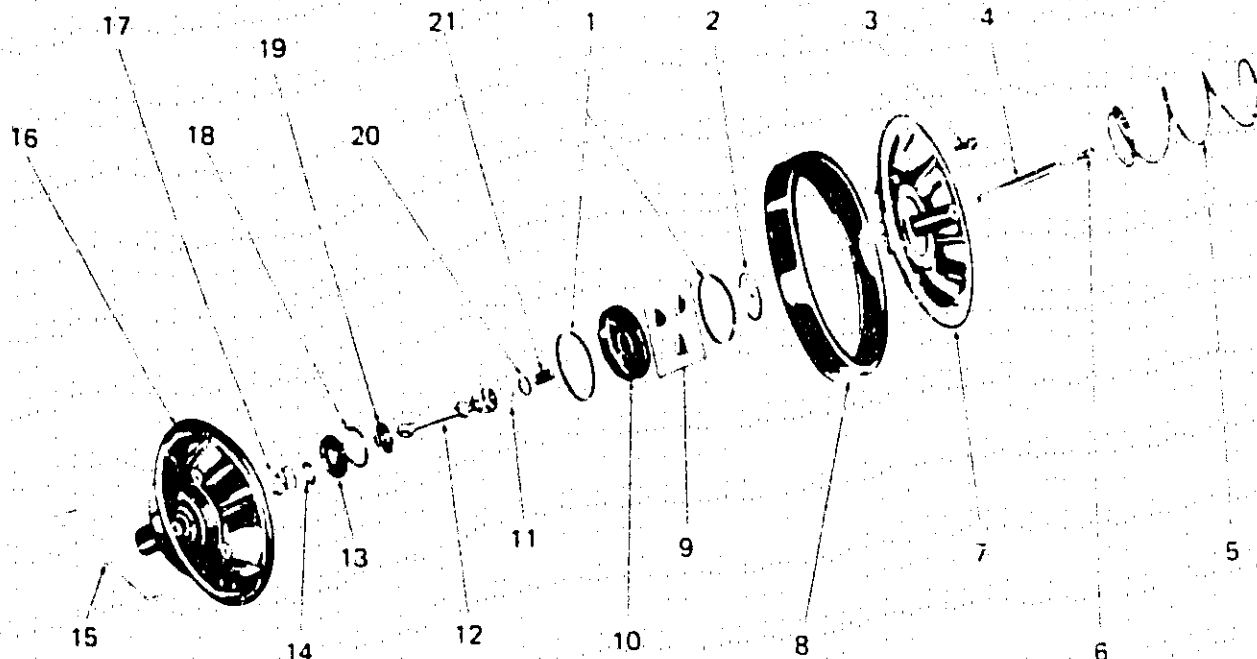


V4-51

1962-63 MORAINÉ POWER BRAKE HOUSING

G 27	1. DIAPHRAGM	4.922
G 27	2. GROMMET	4.931
G 27	3. VALVE ASM	4.955
G 22	4. CYLINDER ASM	4.650
	5. NUT (3/8"-.24)	8.915
	6. WASHER (3/8")	8.931
G 26	7. RETAINER	4.911
G 26	8. SHELL ASM	4.906
G 27	9. SPRING	4.924
G 27	10. PISTON	4.922
G 22	11. ROD ASM	4.658
G 22	12. BOOT	4.659
G 22	13. BEARING	4.659
G 28	14. SHELL ASM	4.906

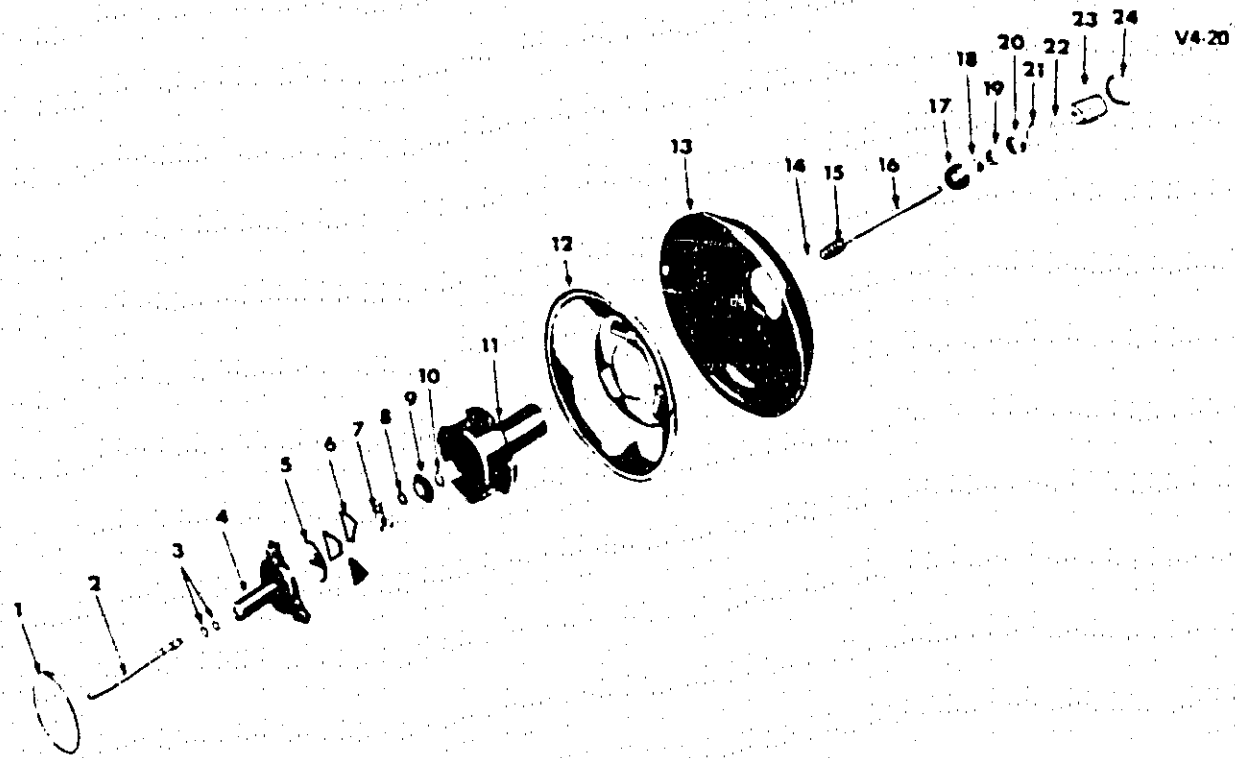
V4-52



V4-52

1962-63 MORAINÉ POWER BRAKE PISTON

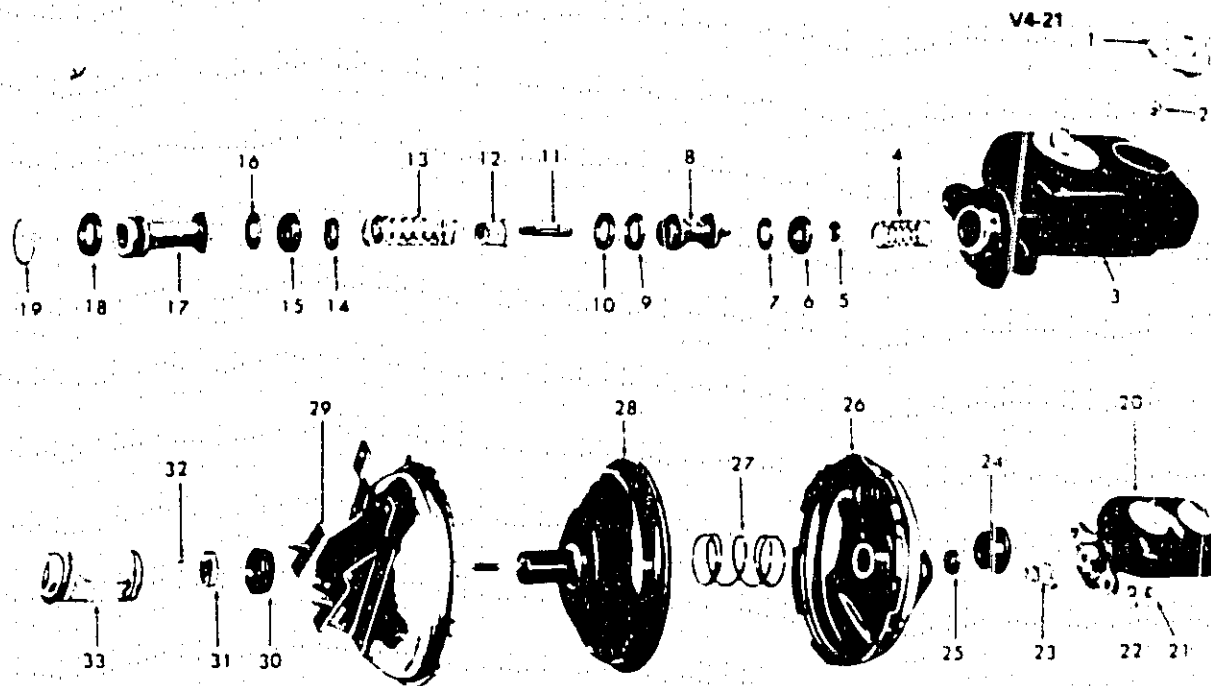
G 27	1. SEAL	4.922
G 27	2. PLATE	4.922
G 27	3. SCREW	4.922
G 27	4. ROD	4.924
G 27	5. SPRING	4.924
G 21	6. SCREW	4.637
G 27	7. PLATE	4.922
G 27	8. DIAPHRAGM	4.922
G 27	9. LEVER	4.934
G 27	10. INSERT	4.922
G 27	11. SEAL	4.922
G 22	12. ROD ASM	4.858
G 27	13. DIAPHRAGM	4.935
G 27	14. RETAINER	4.935
G 27	15. FILTER, Part of 4.901 CYLINDER ASM	N.S.
G 27	16. PISTON	4.922
G 27	17. SPRING	4.935
G 27	18. PLATE	4.935
G 27	19. VALVE ASM	4.935
G 26	20. BUMPER	4.918
G 26	21. SPRING	4.918



V4-20

1963-67 MORAINÉ POWER BRAKE PISTON

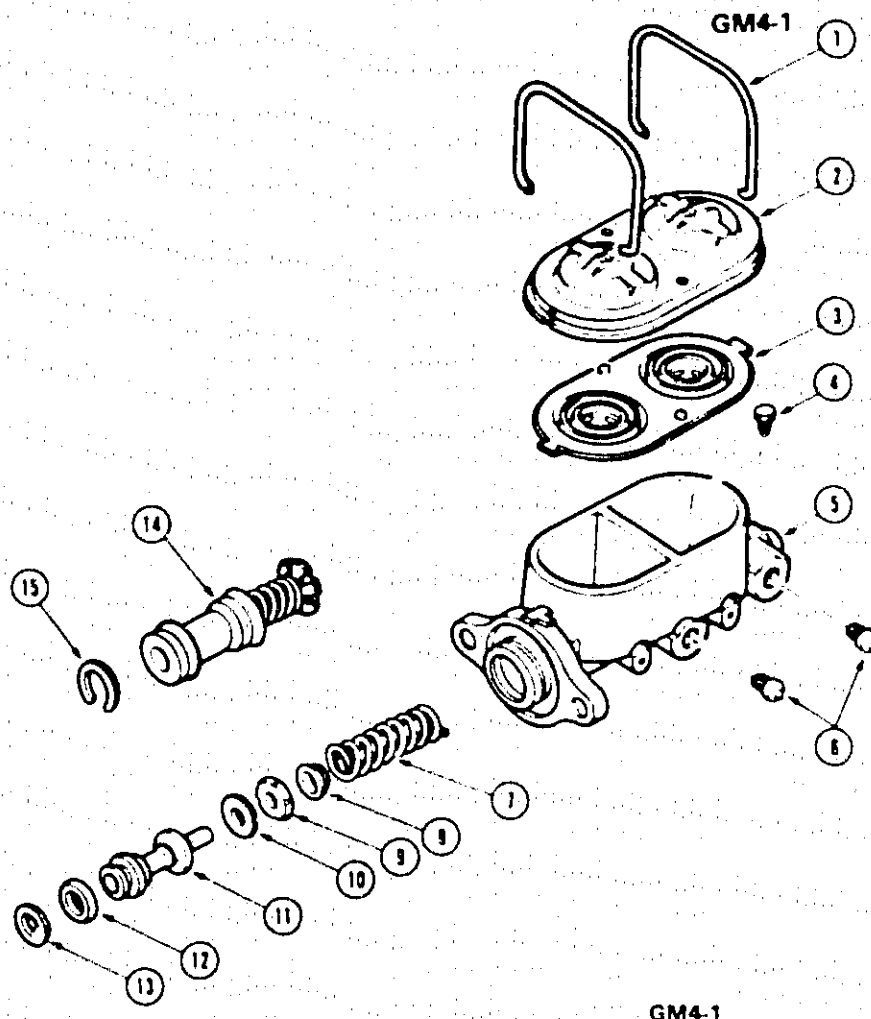
G 27	1. RING, Reaction Retainer Lock	4.935
G 27	2. ROD, Main Cylinder Piston	4.924
G 26	3. RING, Vacuum Power Brake	4.918
G 27	4. RETAINER, Reaction	4.934
G 27	5. PLATE, Piston Reaction Support	4.934
G 27	6. LEVER, Piston Reaction	4.934
G 26	7. SPRING, Air Valve	4.918
G 26	8. BUMPER, Cylinder Reaction	4.918
G 26	9. RETAINER, Air Valve Spring	4.918
G 26	10. RING, Cylinder Air Valve	4.918
G 27	11. PISTON, Vacuum Power Brake	4.922
G 27	12. SUPPORT, Vacuum Power Brake	4.922
G 27	13. DIAPHRAGM, Power Brake	4.922
G 26	14. RING	4.918
	15. VALVE, Part of Valve Asm	N.S.
	16. ROD, Part of Valve Asm	N.S.
	17. VALVE ASM, Part of Valve Asm	N.S.
	18. SEAT, Part of Valve Asm	N.S.
G 27	19. SPRING, Dia Return	4.924
G 27	20. RETAINER, Floating Valve	4.935
G 27	21. SPRING, Cyl Valve Rod	4.924
G 27	22. SPRING	4.924
G 26	23. FILTER, Air Cleaner	4.913
G 26	24. SILENCER, Brake Cylinder	4.913



V4-21

1963-67 'Y' POWER BRAKE MASTER CYLINDER

G 22	1. CAP, Master Cylinder	4.851	G 22	17. PISTON, Primary	4.858
G 22	2. SCREW	4.856	G 22	18. CUP	4.854
G 22	3. CYLINDER, Hydraulic Brake Main	4.850	G 22	19. RING	4.856
G 22	4. SPRING, Secondary	4.855	G 22	20. CYLINDER ASM, Hydraulic Brake Main	4.850
G 22	5. VALVE ASM, Main Cylinder	4.857		21. NUT	8.915
	6. SEAL	N.S.		22. WASHER	8.931
G 22	7. WASHER	4.859	G 27	23. VALVE ASM	4.955
G 22	8. PISTON, Secondary-Kit	4.853	G 26	24. RETAINER	4.913
G 22	9. CUP	4.854	G 27	25. GROMMET	4.955
G 22	10. CUP	4.854	G 26	26. SHELL ASM	4.908
G 22	11. SCREW, Piston Extension	4.858	G 27	27. SPRING	4.924
G 22	12. VALVE	4.857	G 27	28. DIAPHRAGM	4.922
G 22	13. SPRING, Primary	4.855	G 26	29. SHELL ASM	4.908
	14. WASHER, Part of Spring	N.S.	G 26	30. FILTER	4.913
G 22	15. CUP	4.854	G 26	31. SILENCER	4.913
G 22	16. WASHER	4.859	G 22	32. RETAINER (5/16")	8.934
				33. BOOT	4.859



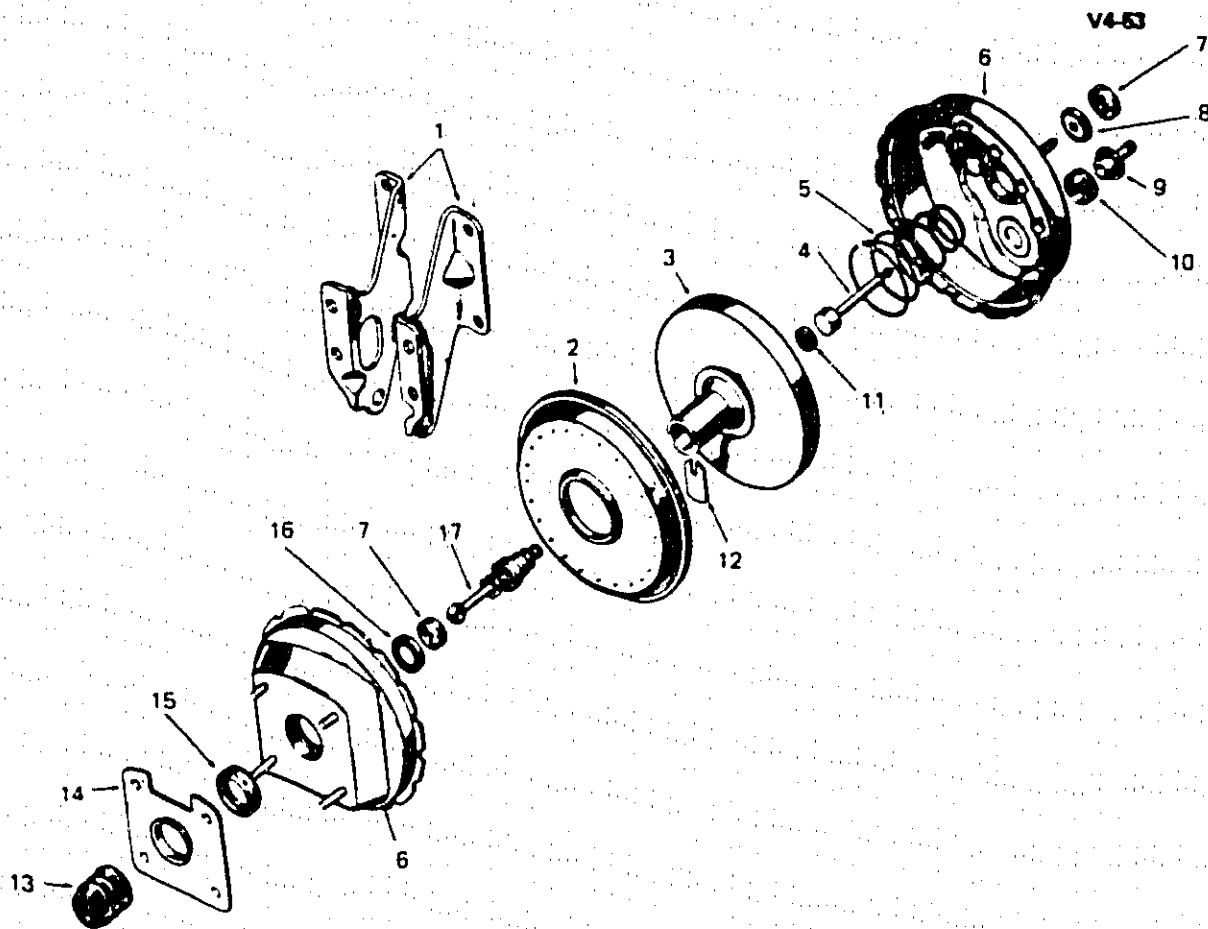
1967-82 MORAINÉ MASTER CYLINDER

G 22	1. BAIL, Reservoir Cover(* 1)	4.651
G 22	2. COVER, Reservoir(* 1)	4.651
G 22	3. DIAPHRAGM, Master Cylinder Reservoir(* 1)	4.651
G 22	4. SCREW, Secondary Piston Stop(* 1)	4.658
	5. BODY, Master Cylinder(* 1)	N.S.
	6. INSERT, Outlet Tube(* 1)	N.S.
	7. SPRING, Secondary Piston(* 1)	N.S.
	8. RETAINER, Secondary Piston Spring(* 1)	N.S.
	9. CUP, Secondary Piston Primary(* 1,3)	N.S.
	10. PROTECTOR, Secondary Piston Cup(* 1,3)	N.S.
G 22	11. PISTON, Secondary(* 1,3)	4.653
	12. SEAL, Piston Secondary(* 1,3)	N.S.
	13. SEAL, Secondary(* 1,3)	N.S.
	14. PISTON, Primary(* 1,2)	N.S.
	15. RING, Primary Piston Retainer(* 1,2)	N.S.

NOTE 1: Part of Group 4.650 CYLINDER, Hyd Brk Main.

NOTE 2: Part of Group 4.649 REPAIR KIT, M/Cyl.

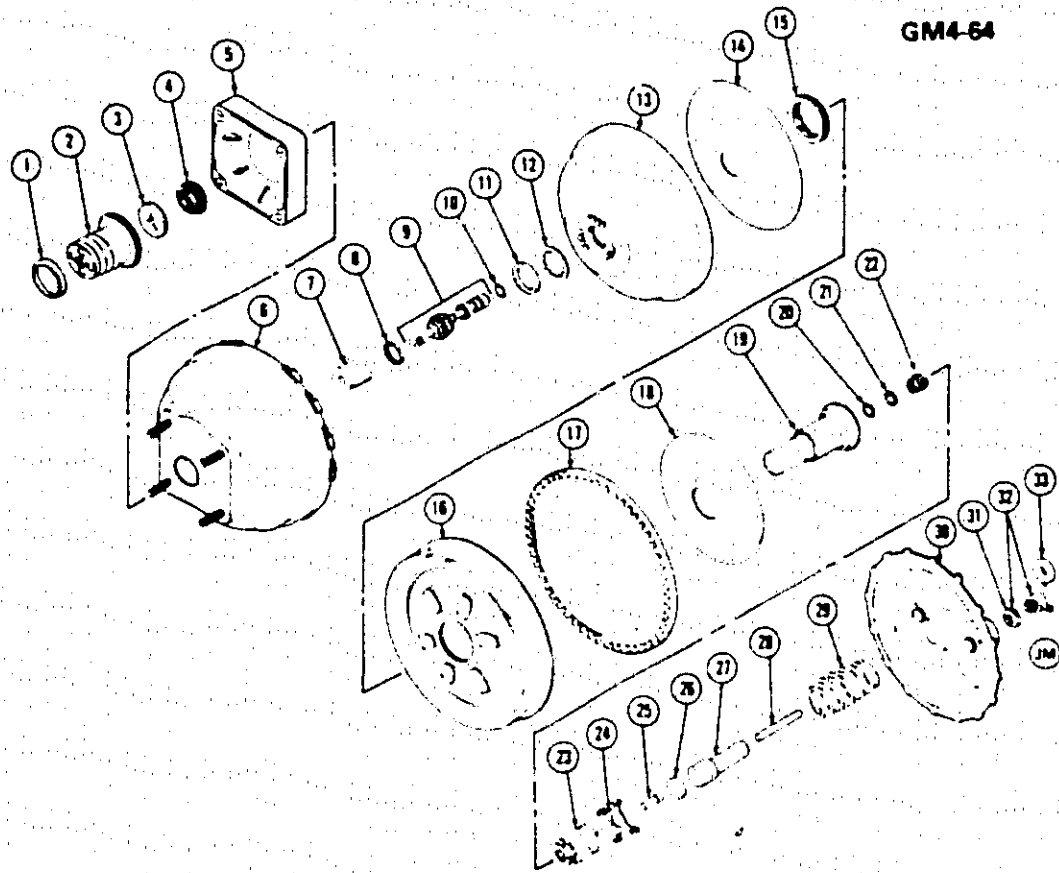
NOTE 3: Part of Group 4.653 PISTON, M/Cyl Secondary.



V4-53

1968-76 BENDIX POWER BRAKE CYLINDER

G 26	1. BRACKET	4.898
G 27	2. DIAPHRAGM	4.922
G 27	3. DIAPHRAGM	4.922
G 27	4. ROD ASM	4.924
G 27	5. SPRING	4.924
G 26	6. SHELL ASM	4.908
G 26	7. FILTER	4.913
G 26	8. SEAL	4.910
G 27	9. VALVE ASM	4.955
G 27	10. GROMMET	4.955
G 27	11. DISC	4.924
G 26	12. KEY	4.918
G 22	13. BOOT	4.859
G 26	14. RETAINER	4.911
G 26	15. SEAL	4.918
G 26	16. RETAINER	4.911
G 22	17. ROD ASM	4.658

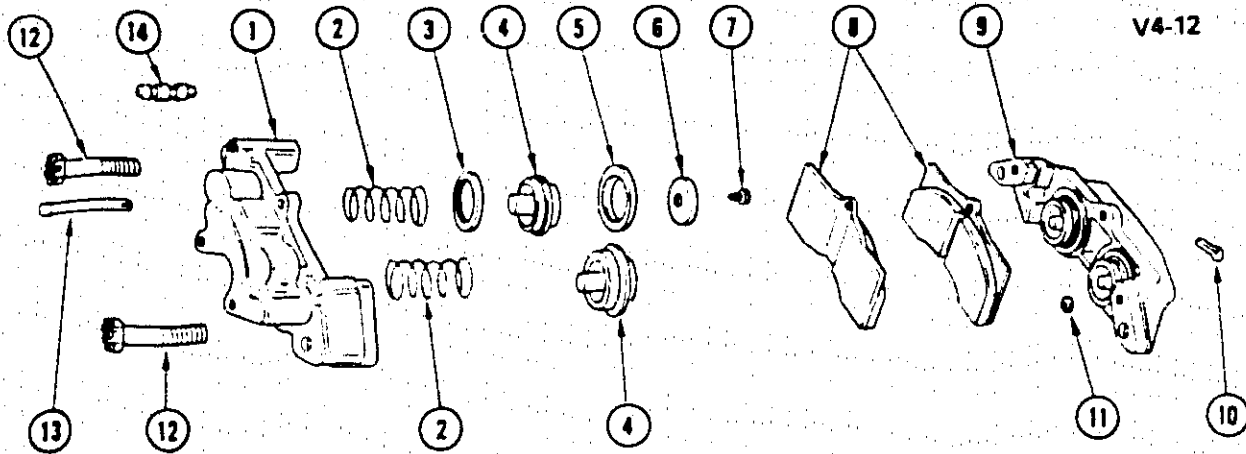


1977-82 MORAINÉ BRAKE DUAL DIAPHRAGM VACUUM CYLINDER

G 26

1. RETAINER, Pwr Cyl Boot(* 1)	N.S.	18. PLATE, Secondary Support(* 1)	N.S.
2. BOOT, Pwr Cyl(* 1, 2)	N.S.	G 27 19. PISTON, Pwr Brk Cyl(* 1, 3)	4.922
3. SILENCER, Air(* 1,2)	N.S.	20. RING, Ext Ret (5/8" Dia Shaft)(* 1,2, 4)	8.934
4. BEARING, Prim Pwr Piston(* 1, 2)	N.S.	21. BUMPER, Reaction(* 1,2, 4)	N.S.
5. SPACER, Pwr Cyl Mtg (Cadillac)	4.898	22. SPRING, Air Valve(* 1, 4)	N.S.
6. HOUSING, Rear(* 1)	N.S.	23. BODY, Reaction(* 1,3)	N.S.
7. FILTER, Air(* 1,2, 4)	N.S.	24. RETAINER, Reaction Body(* 1,3, 4)	N.S.
8. RETAINER, Cont Valve(* 1, 2, 4)	N.S.	25. PISTON, Reaction(* 1,3)	N.S.
9. VALVE ASM, Air(* 1, 4)	N.S.	26. DISC, Reaction(* 1,2, 3)	N.S.
10. SEAL, "O" Ring(* 1,2)	N.S.	27. RETAINER, Reaction(* 1)	N.S.
11. SILENCER, Pwr Head(* 1, 2, 4)	N.S.	G 27 28. ROD, Pwr Brk Cyl(* 1)	4.924
12. RETAINER, Diaphragm(* 1,2)	N.S.	29. SPRING, Pwr Piston Ret(* 1)	N.S.
13. DIAPHRAGM, Primary(* 1,2)	N.S.	30. HOUSING, Front(* 1)	N.S.
14. PLATE, Primary Support(* 1)	N.S.	G 27 31. GROMMET, Check Valve (Also Part of	
15. BEARING, Secondary Pwr Piston(* 1, 2)	N.S.	Item 32)(* 1,2)	4.955
16. HOUSING, Divider(* 1)	N.S.	G 27 32. VALVE, W/Grommet, Vac Check(* 1, 2)	4.955
17. DIAPHRAGM, Secondary(* 1,2)	N.S.	33. SEAL, Frt Hsg(* 1, 2)	N.S.

NOTE 1: Part of Group 4.901 CYLINDER, Vac Pwr Brk
 NOTE 2: Part of Group 4.898 REPAIR KIT, Pwr Brk Cyl
 NOTE 3: Part of Group 4.922 PISTON KIT, Vac Pwr Brk
 NOTE 4: Part of Group 4.918 PLUNGER & VALVE, Pwr Brk Cyl



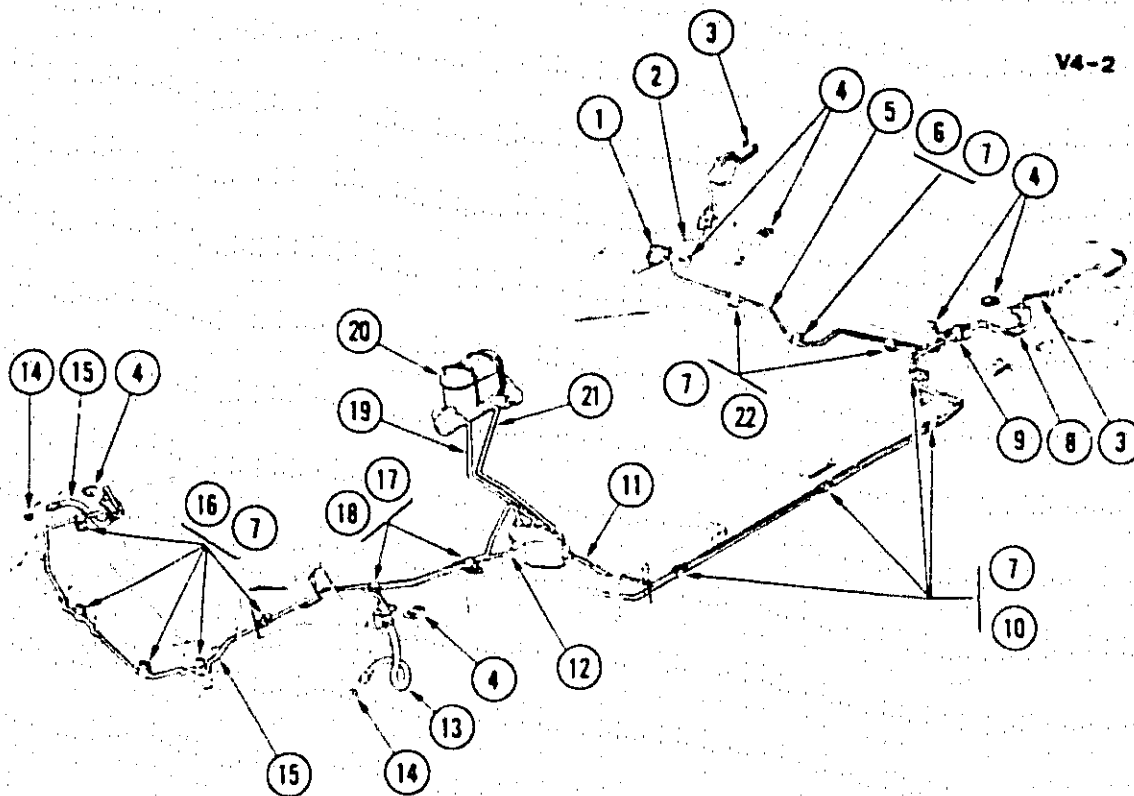
V4-12

1965-82 BRAKE CALIPER

G 23	1. HOUSING, Brk Clpr Inr	4.665
G 24	2. SPRING, Brk Clpr Pstn Rtn	4.669
G 24	3. SEAL, Brk Clpr Pstn(* 1,2)	4.667
G 24	4. PISTON, Brk Clpr	4.668
G 24	5. BOOT, Brk Clpr Pstn(* 2)	4.670
G 24	6. INSULATOR, Brk Clpr Pstn(* 1)	4.668
	7. SCREW, Brk Clpr Pstn Insl(* 1)	M.S.
H 10	8. SHOE KIT, Brk W/Facing	5.017
G 23	9. HOUSING, Brk Clpr Otr	4.665
	10. PIN, Cotter Brk Shoe Ret	8.938
G 24	11. RING, Brk Clpr Bleeder Vlv "O"(* 2)	4.666
	12. BOLT, Brk Clpr Hsg	8.900
H 10	13. PIN, Brk Shoe Ret	5.043
G 24	14. VALVE, Brk Clpr Bleeder	4.666

NOTE 1: Also Part of Group 4.668 PISTON

NOTE 2: Also Part of Group 4.667 REPAIR KIT



V4-2

1963-82 'Y' BRAKE HOSES & PIPES

G 25	1. CONNECTOR, Hyd Brake Rr Hose (Type K)	4.686
G 25	2. HOSE, Rear Brake	4.680
	3. PIPE ASM, Rear Brake (Cut from Bulk)	N.S.
G 25	4. SPRING, Frt & Rr Brake Hose Yoke	4.681
	5. TUBING (3/16" OD)	8.964
G 25	6. CLIP, Rr Brake Crossover Pipe	4.686
	7. SCREW, Frt Brake Pipe Clip	8.977
G 25	8. HOSE, Rear Brake	4.680
G 25	9. CONNECTOR, Hyd Brake Rr Hose (Type K)	4.686
N 18	10. CLIP, Rr Brake	3.162
	11. PIPE ASM, Rr Brake Frt	N.S.
	12. PIPE ASM, Frt Brake (Cut from Bulk)	N.S.
G 25	13. HOSE, Hyd Brake (7/16"-20 Ext 3/8"-24 Int 13 1/4" OL)	4.680
G 24	14. WASHER, Brake Connect (7/16" ID x 11/16" OD-1/32")	4.671
	15. PIPE ASM, Frt Brake Crossover Pipe (Cut from Bulk)	N.S.
N 18	16. CLIP, Frt Brake Crossover Pipe	3.162
N 18	17. CLIP, Brake Pipe	3.162
	18. SCREW, Clip (5/16"-18 x 1/2")	8.977
	19. PIPE, (Cut from Bulk)	N.S.
G 22	20. CYLINDER ASM, Hyd Brake Main(* 1)	4.650
	21. PIPE (Cut from Bulk)	N.S.
G 25	22. CLIP, Rr Brake Crossover Pipe	4.686

Cylinder Assembly Illustrated Was Used Beginning In 1967.

ILLUS

5



CHEVROLET

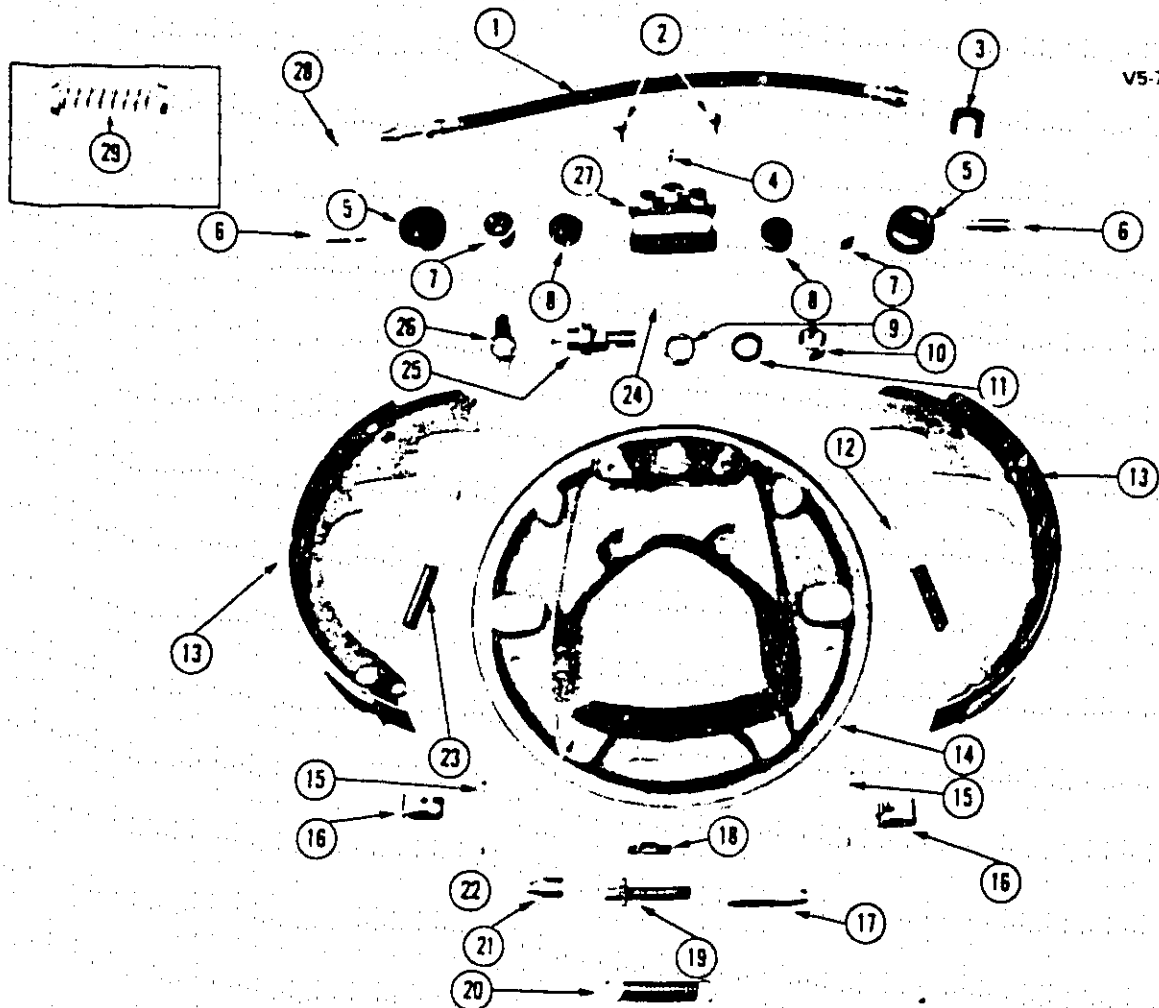
CHEVROLET CHASSIS GROUP 5.000



CHEVROLET

ILLUSTRATION INDEX

	TITLE	GRID
1953-62	BENDIX FRONT BRAKE PARTS (DUO SERVO)	L21
1953-62	BENDIX REAR BRAKE PARTS (DUO SERVO)	L22
1963-65	"Y" STANDARD SELF ADJUSTING BRAKE	L23
1963-65	"Y" HEAVY DUTY SELF ADJUSTING BRAKE	L24
1963-79	"Y" REAR AXLE ASSEMBLY	L25
1980-82	CORVETTE DIFFERENTIAL CARRIER (DANA)	L26
1963-64	"Y" POSITRACTION UNIT	L27
1976-79	LOCKING DIFFERENTIAL (EATON)	L28
1967-79	HUB CAPS AND WHEEL COVERS	M2
1980-81	"Y" HUB CAPS & WHEEL COVERS	M3
1982	"Y" WHEELS & TRIM	M4

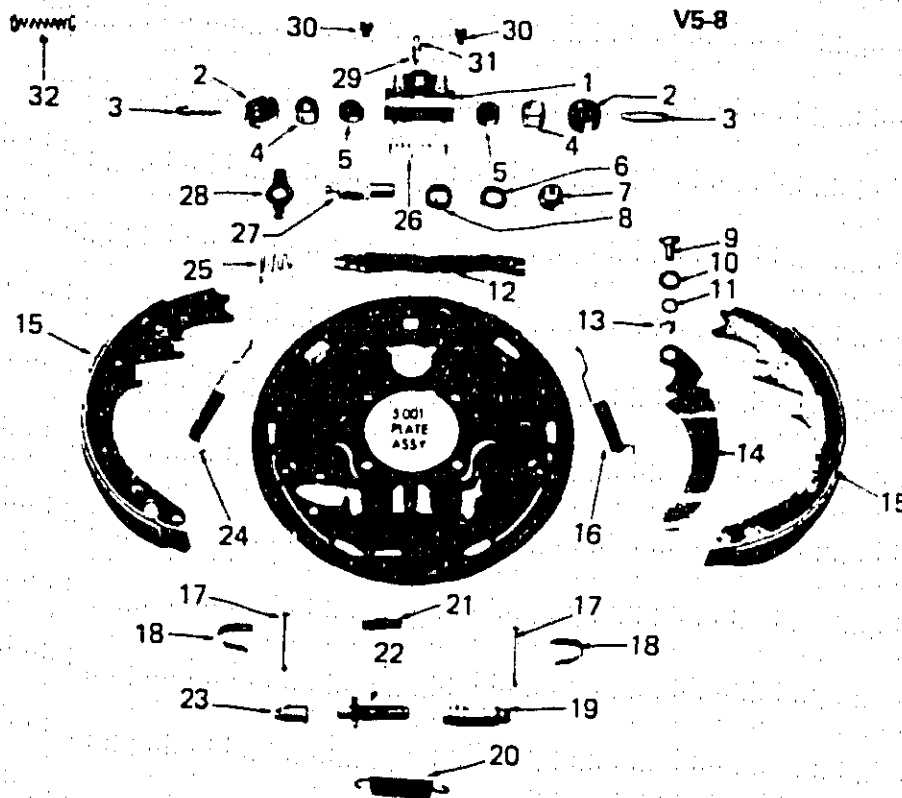


V5-7

V5-7

1953-62 BENDIX FRONT BRAKE PARTS (DUO SERVO)

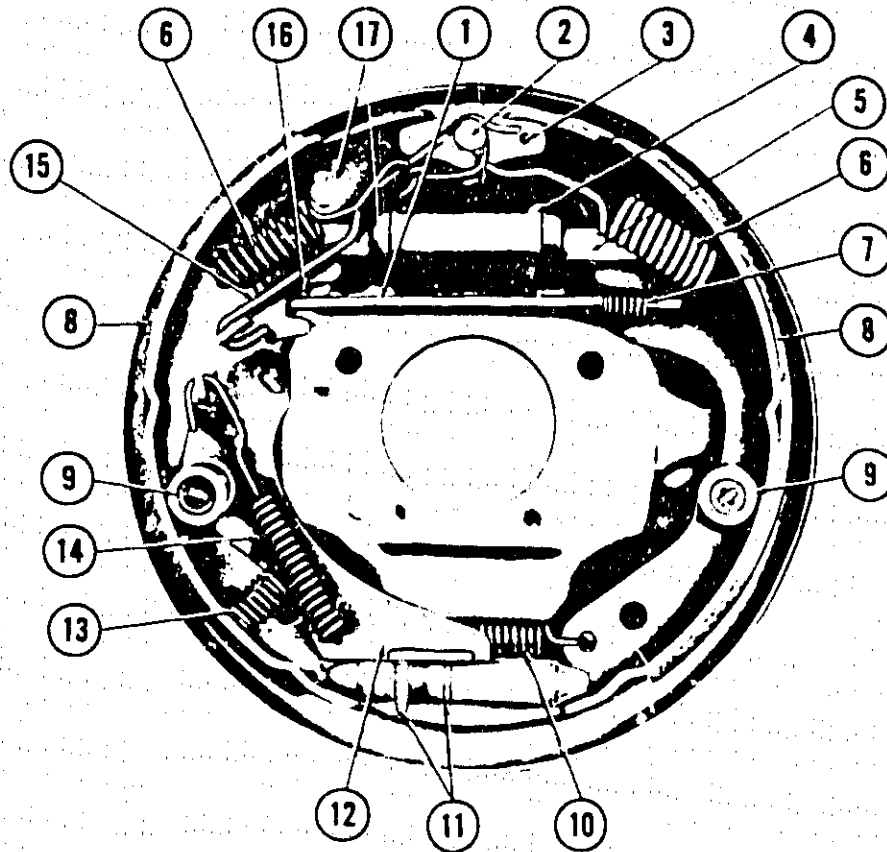
G 25	1. HOSE ASM	4.680		15. PIN, Part of 5.043 PIN UNIT	N.S.
	2. BOLT	8.900		16. SPRING, Part of 5.043 PIN UNIT	N.S.
G 25	3. SPRING	4.681	H 11	17. NUT	5.111
G 24	4. VALVE	4.666	H 11	18. COVER	5.117
G 24	5. BOOT	4.670	H 11	19. SCREW	5.110
G 25	6. ROD	4.675	H 11	20. SPRING	5.111
	7. PISTON, Part of 4.665 Kit	N.S.	H 11	21. SOCKET	5.111
G 24	8. CUP	4.667		22. PLATE ASM, (Separate for 1953)	N.S.
H 11	9. WASHER	5.056	H 10	23. SPRING	5.026
	10. NUT	8.917	G 24	24. SPRING	4.669
	11. WASHER, Lock	8.931	H 11	25. PIN	5.055
H 10	12. SPRING	5.026	H 10	26. PLATE	5.045
H 10	13. SHOE	5.017		27. BODY, Part of 4.665 CYLINDER ASM	N.S.
H 10	14. PLATE ASM	5.001	G 24	28. GASKET	4.671
			G 24	29. SPRING, W/Expander (1956 thru 1962)	4.669



V5-8

1953-62 BENDIX REAR BRAKE PARTS (DUO SERVO)

	1. BODY, Part of 4.665 CYLINDER ASM	N.S.	17. PIN, Part of 5.043 PIN UNIT	N.S.
G 24	2. BOOT	4.670	18. SPRING, Part of 5.043 PIN UNIT	N.S.
G 25	3. ROD	4.675	H 11 19. NUT	5.111
	4. PISTON, Part of 4.665 Kit	N.S.	H 11 20. SPRING	5.111
G 24	5. CUP	4.667	H 11 21. COVER	5.117
	6. WASHER, Lock	8.931	H 11 22. SCREW	5.110
	7. NUT	8.915	H 11 23. SOCKET	5.111
H 11	8. WASHER	5.056	H 10 24. SPRING	5.026
H 11	9. BOLT	5.158	H 11 25. SPRING	5.151
H 11	10. WASHER	5.158	G 24 26. SPRING	4.669
	11. WASHER	8.932	H 11 27. PIN	5.055
H 11	12. STRUT	5.150	H 10 28. PLATE	5.045
	13. NUT	8.915	G 24 29. VALVE	4.666
H 11	14. LEVER	5.149	30. BOLT	8.900
H 10	15. SHOE	5.017	31. WASHER	8.931
H 10	16. SPRING	5.026	32. Use 4.669 Spring W/expander on 1956 thru 1962	N.S.



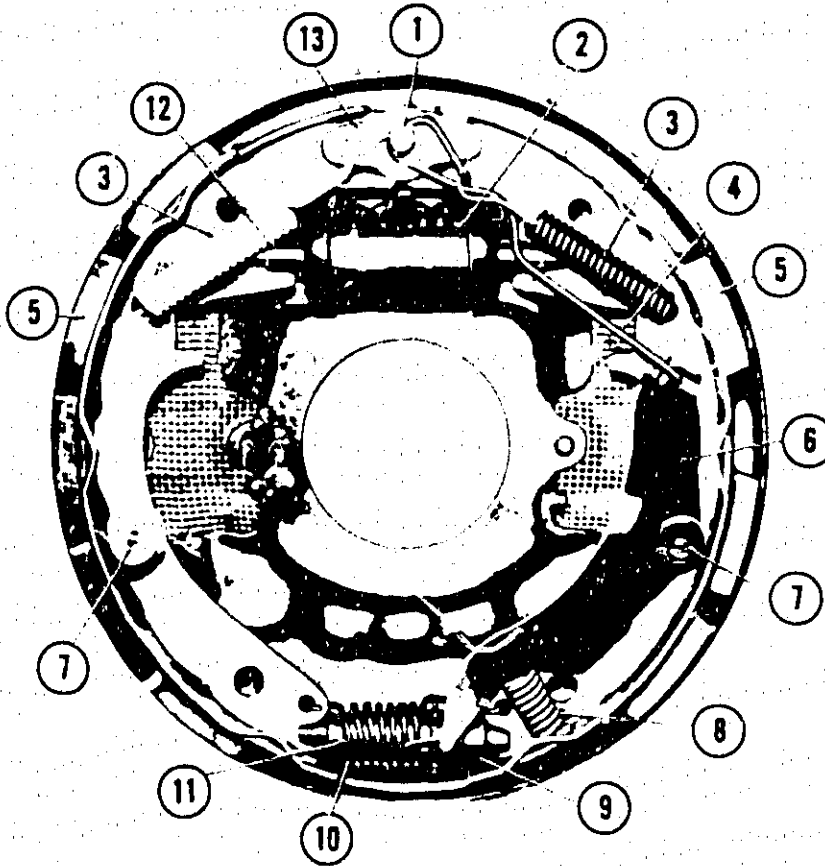
V5-9

V5-9

1963-65 'Y' STANDARD SELF ADJUSTING BRAKE

H 11	1. STRUT	5.150
H 11	2. PIN	5.055
H 10	3. PLATE	5.045
G 23	4. CYLINDER ASM	4.665
G 25	5. ROD	4.675
H 10	6. SPRING	5.026
H 11	7. SPRING	5.151
H 10	8. SHOE UNIT	5.017
H 10	9. PIN UNIT	5.043
H 11	10. SPRING	5.111
H 11	11. SCREW ASM	5.110
H 11	12. LEVER	5.103
H 10	13. SHOE UNIT	5.017
H 11	14. SPRING	5.107
H 11	15. LINK	5.105
H 11	16. LEVER	5.149
H 11	17. RING	8.934

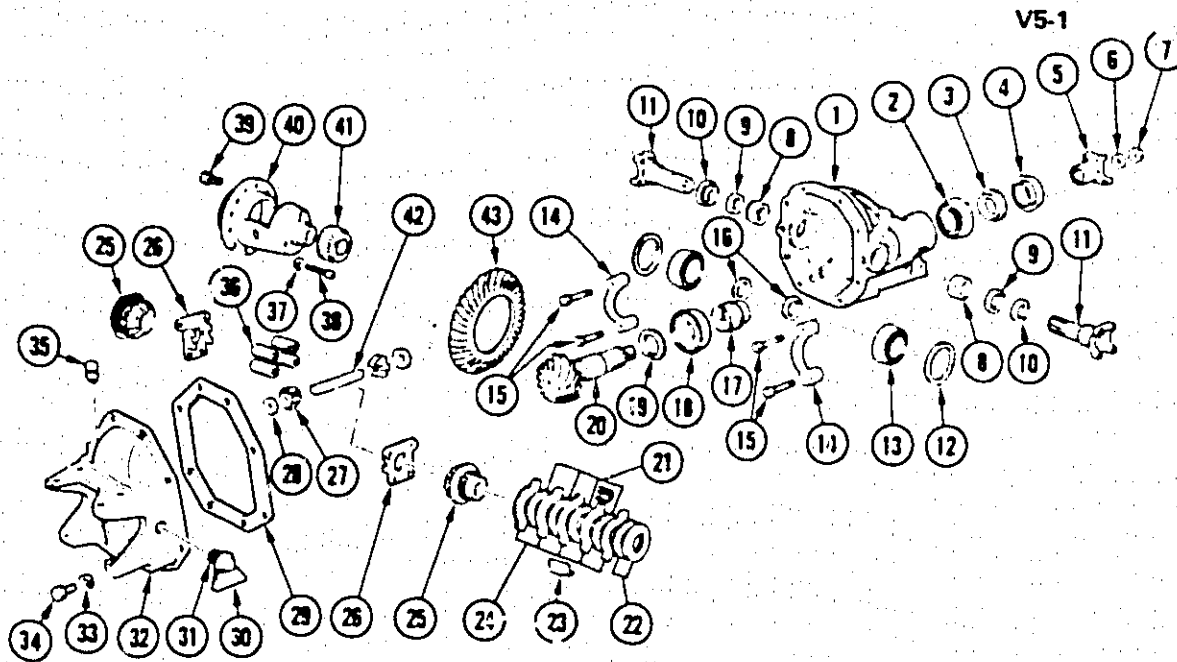
V5-10



V5-10

1963-65 'Y' HEAVY DUTY SELF ADJUSTING BRAKE

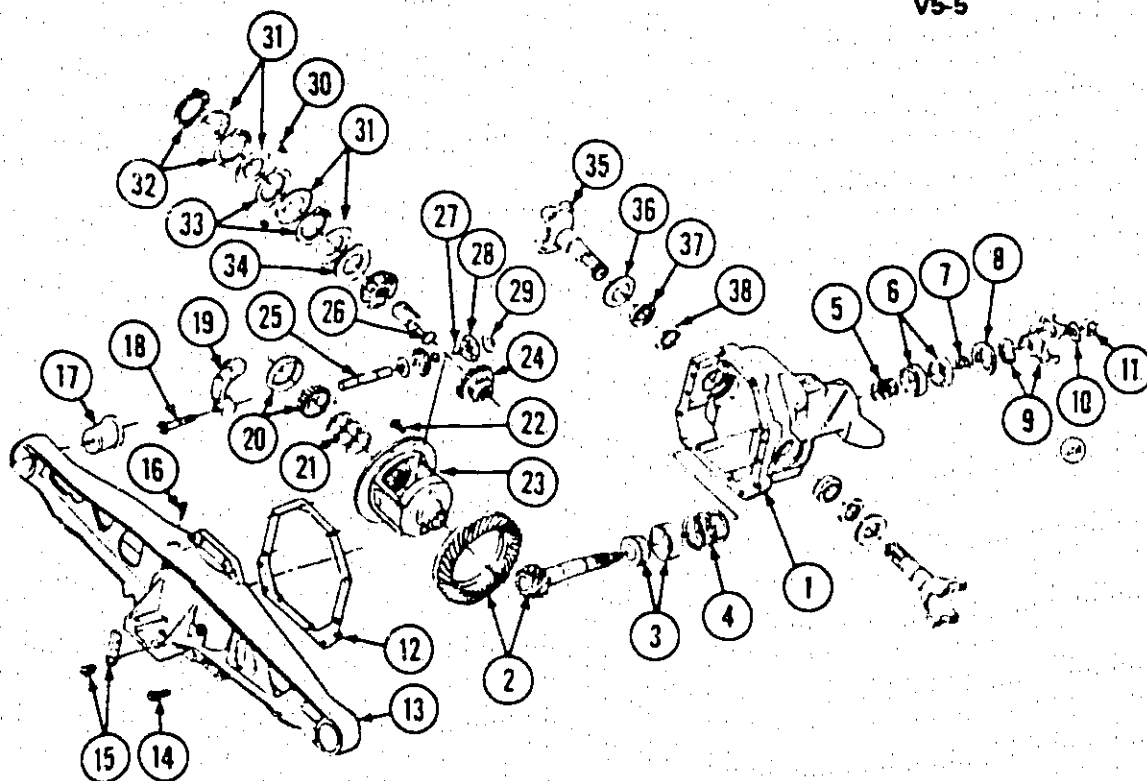
H 11	1. PIN	5.055
G 23	2. CYLINDER ASM	4.865
H 10	3. SPRING	5.026
H 11	4. LINK	5.105
H 10	5. SHOE UNIT	5.017
H 11	6. LEVER	5.103
H 10	7. PIN UNIT	5.043
H 11	8. SPRING	5.107
H 11	9. SCREW ASM	5.110
H 11	10. NUT	5.111
H 11	11. SPRING	5.111
G 25	12. ROD	4.675
H 10	13. PLATE	5.045



V5-1

1963-79 'Y' REAR AXLE ASSEMBLY

H 14	1. CARRIER ASM, Differential	5.505	H 15	21. PLATE KIT, Part of #24	N.S.
H 14	2. BEARING ASM, Frt Drive Pinion	5.447	H 15	22. SHIM	5.511
H 14	3. SEAL, Pinion Flange Oil	5.469	H 15	23. GUIDE, Plate	5.511
H 16	4. DEFLECTOR, Pinion Flange (Also Part of #5)	5.545	H 15	24. PLATE KIT ("1)	5.511
H 16	5. FLANGE, W/Deflector (4 5/16" Dia)	5.545	H 15	25. GEAR, Diff Side	5.528
	6. WASHER (7/8"-16)	8.929	H 15	26. PLATE, Pressure	5.511
	7. NUT (7/8"-16)	8.917	H 15	27. GEAR, Diff Pinion	5.526
H 16	8. BEARING, "U" Joint Yoke (Also Part of #9)	5.536	H 16	28. WASHER, Diff Pinion Thrust	5.542
H 13	9. SEAL ASM, Diff Carrier 7 Joint Yoke Brg Oil	5.430	H 14	29. GASKET (9 5/64" x 10")	5.508
H 13	10. DEFLECTOR, Diff Carrier "U" Joint Yoke (Also Part of #11)	5.425	H 13	30. GASKET, Drain Screw (1/2" ID x 15/16" OD)	5.400
H 13	11. YOKE ASM, Diff Carrier "U" Joint	5.425	H 13	31. PLUG, W/Instr Tag (1 7/64" OL)	5.400
H 16	12. BEARING, "U" Joint Yoke (Also Part of #13)	5.536	H 12	32. COVER, Diff Carrier	5.398
H 16	13. BEARING, Diff Side	5.536		33. WASHER (7/16")	8.931
	14. CAP, Part of Carrier Asm	N.S.		34. BOLT (7/16"-14 x 1 1/4")	8.900
H 14	15. BOLT, Diff Carrier Cap	5.506	H 12	35. VENTILATOR, Rr Axle	5.387
H 13	16. RING, Diff Carrier "U" Joint Yoke Retaining	5.428	H 15	36. SPRING, Pressure Plate	5.511
H 14	17. SPACER, Pinion Shaft Bearing	5.453		37. WASHER (5/16")	8.931
H 14	18. BEARING ASM, Drive Pinion Rr	5.484	H 15	38. SCREW (5/16"-18)	5.518
H 16	19. SHIM KIT, Diff Bearing Adjusting	5.537	H 16	39. SCREW (3/8"-24 x 25/32") (Used W/Lockwasher)	5.531
H 15	20. GEAR ASM, Ring & Pinion	5.529	H 14	40. CASE, Diff	5.510
	Part of Plate Unit 5.511.		H 16	41. BEARING, Diff Side	5.536
			H 15	42. SHAFT, Diff Pinion	5.517
			H 15	43. GEAR ASM, Ring & Pinion (Not Sold Separately)	5.529

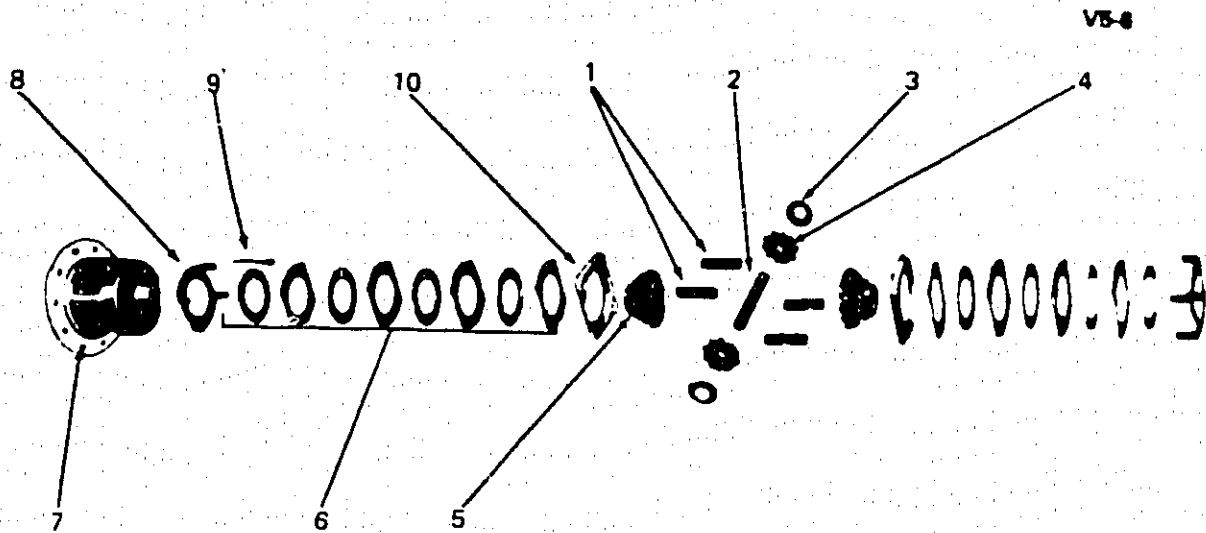


V5-5

1980-82 CORVETTE DIFFERENTIAL CARRIER (DANA)

H 14	1. CARRIER, Diff W/Cap	5.605	H 16	21. SHIM KIT, Brg Preload	5.537
H 15	2. GEAR, Ring & Pnc	5.528	H 16	22. SCREW, Ring Gear (3/8-24 x 13/16")	5.531
H 14	3. BEARING, Pnc	5.484	H 14	23. CASE, Diff	5.510
H 14	4. SHIM KIT, Brg Preload Adj	5.460	H 15	24. GEAR, Diff Side	5.528
H 14	5. SHIM (Part of #4)	N.S.	H 15	25. SHAFT, Pinion	5.517
H 14	6. BEARING, Pnc Otr Preload	5.447	H 16	26. RING, Diff Side Gear Snap	5.537
H 14	7. SLINGER, Pnc Otr	5.484		27. RING, Snap	N.S.
H 14	8. SEAL, Pnc Oil	5.469	H 15	28. PINION, Diff	5.526
H 16	9. YOKE, W/Deflector, Prop Shaft Pinion	5.545	H 16	29. WASHER, Diff Pinion Thrust	5.542
H 18	10. WASHER, Pnc Nut	5.812	H 15	30. RETAINER, Diff CLutch(*1)	5.511
	11. NUT (3/4"-16)	8.917		31. PLATE KIT (*1)	N.S.
H 12	12. GASKET, Diff Carrier Cover	5.399		32. PLATE KIT (*1)	N.S.
N 21	13. COVER, Diff Carrier (Carrier Mtg Mbr)	7.039		33. PLATE KIT (*1)	N.S.
H 12	14. SCREW, Carrier Cover	5.398		34. PLATE KIT (*1)	N.S.
H 13	15. PLUG, Filler	5.400	H 13	35. SHAFT, Yoke-LH (Use W/14020911)	5.425
H 12	16. VENT, Breather	5.387	H 13	SHAFT, Yoke-RH (Use W/14020911)	5.425
H 12	17. BUSHING, Diff Carrier Cover	5.381	H 13	SHAFT, Yoke-LH (Use W/14020912)	5.425
H 14	18. SCREW, Brg Cap	5.506	H 13	SHAFT, Yoke-RH (Use W/14020912)	5.425
	19. CAP (Part of #1 Carrier)	N.S.		36. SHIELD, Stone (Part of #35 Shaft)	N.S.
N 17	20. BEARING, Diff		H 13	37. SEAL, Inner Yoke	5.430
			H 13	38. BEARING, Yoke Inner	5.428

NOTE 1: Part of Plate Kit 5.511

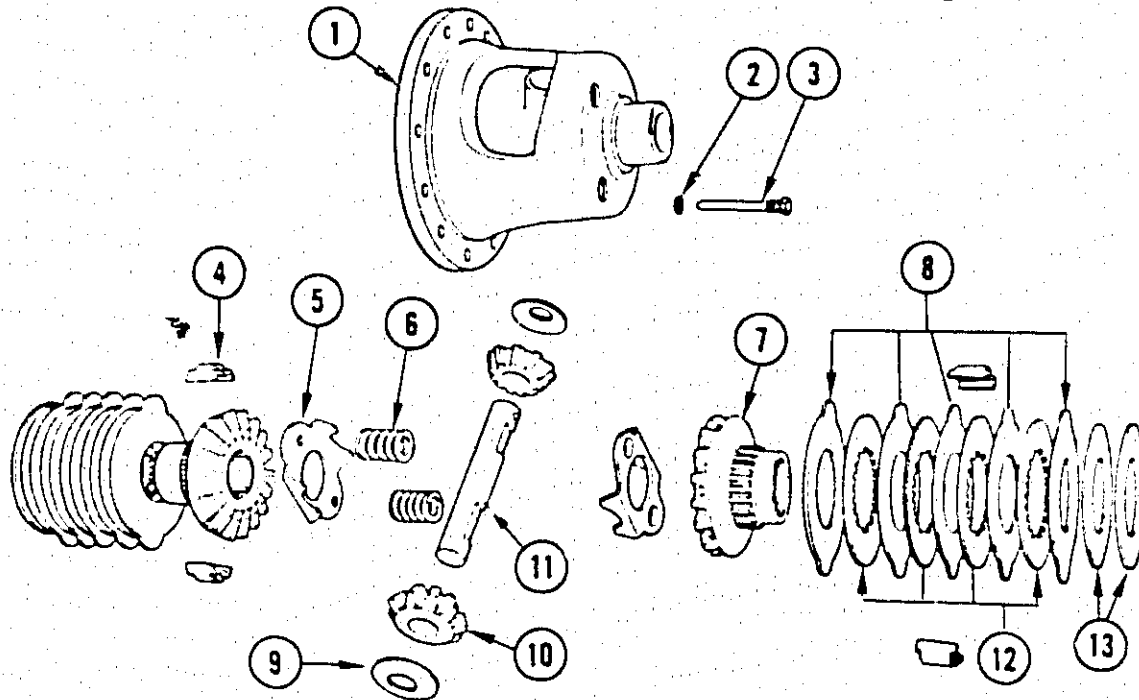


V5-6

1963-64 'Y' POSITRACTION UNIT

H 15	1. SPRING	5.511
H 15	2. SHAFT	5.517
H 16	3. WASHER	5.542
H 15	4. GEAR	5.526
H 15	5. GEAR	5.528
H 15	6. CLUTCH UNIT	5.511
H 14	7. CASE	5.510
H 15	8. CAGE	5.511
H 15	9. SCREW	5.518
H 15	10. PLATE	5.511

GM5-1



GM5-1

1976-79 LOCKING DIFFERENTIAL (EATON)

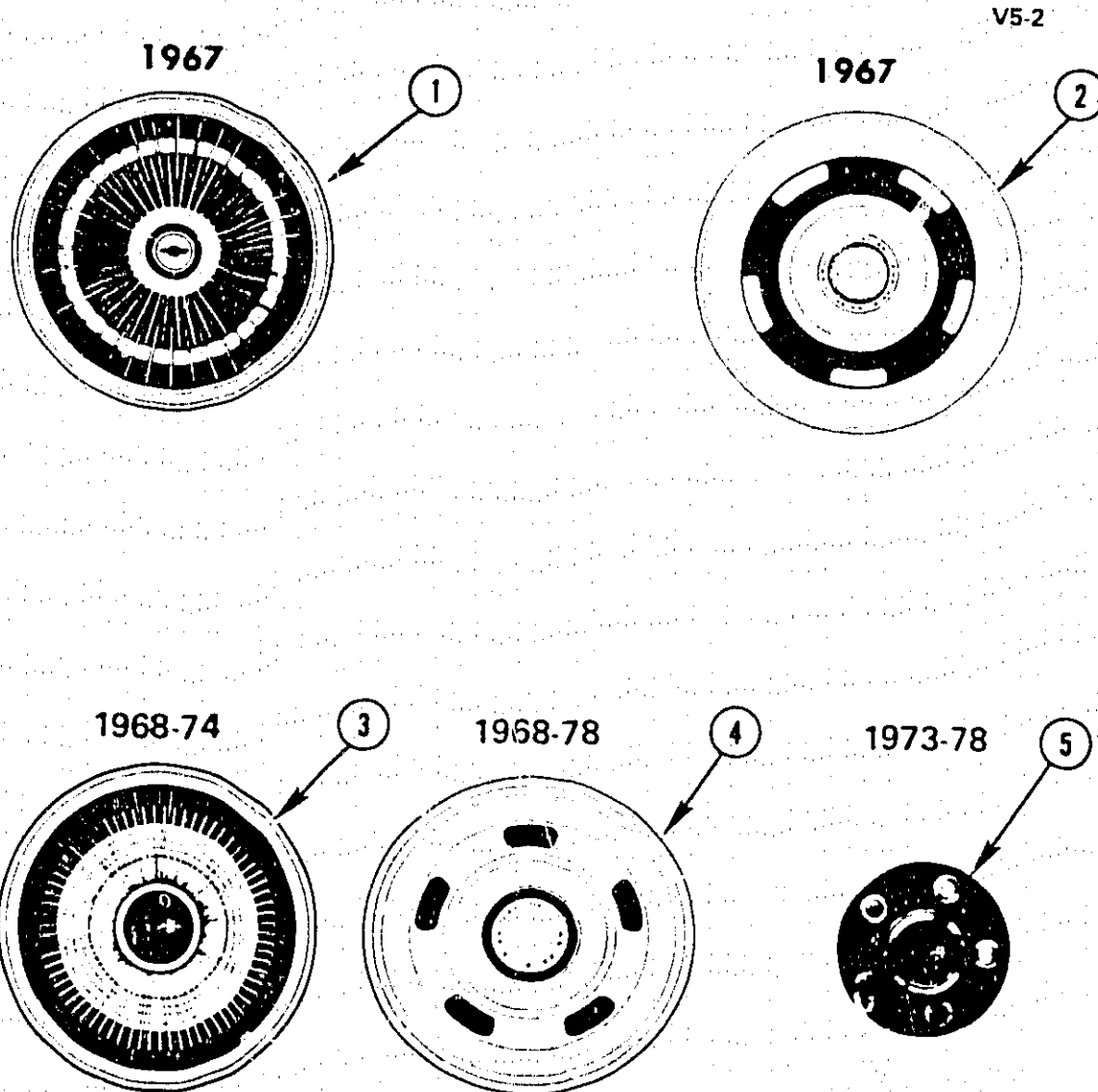
H 14	1. CASE, Differential	5.510
	2. WASHER, Lock, Pinion Pin Lock Screw	8.931
H 15	3. SCREW, Pinion Pin Lock	5.518
P 15	4. GUIDE, Differential Disc(* 1)	5.511
H 15	5. PLATE, Differential Pre-Load	5.511
H 15	6. SPRING, Differential Pre-Load	5.511
H 15	7. GEAR, Differential Side	5.528
	8. DISC, Friction-Eared(* 1)	N.S.
H 16	9. WASHER, Differential Pinion Thrust	5.542
H 15	10. GEAR, Differential Pinion	5.526
H 15	11. SHAFT, Differential Pinion	5.517
	12. DISC, Friction-Splined(* 1)	N.S.
H 15	13. SHIM, Clutch Disc	5.511

NOTE 1: Part of DISC REPAIR PKG-5.511.

MICROFICHE INDEX
GROUPS 4.000 THRU 5.000
FICHE 3 OF 6

GROUP DESCRIPTION	STARTING GRID LOCATION	
	PARTS ILLUSTRATIONS	
- INTRODUCTION	A-6	I-2
- GENERAL INFORMATION	A-2	I-2
- ALPHABETICAL INDEX	C-11	N.A.
- INDEX FOR ADDITIONAL INFORMATION	A-5	N.A.
4.000 TRANSMISSION - BRAKES	E-2	I-6
5.000 BRAKES - REAR AXLE - PROPELLER SHAFT - WHEELS	H-7	L-19
- OUT OF FICHE CALLS	N.A.	N-16

M-1

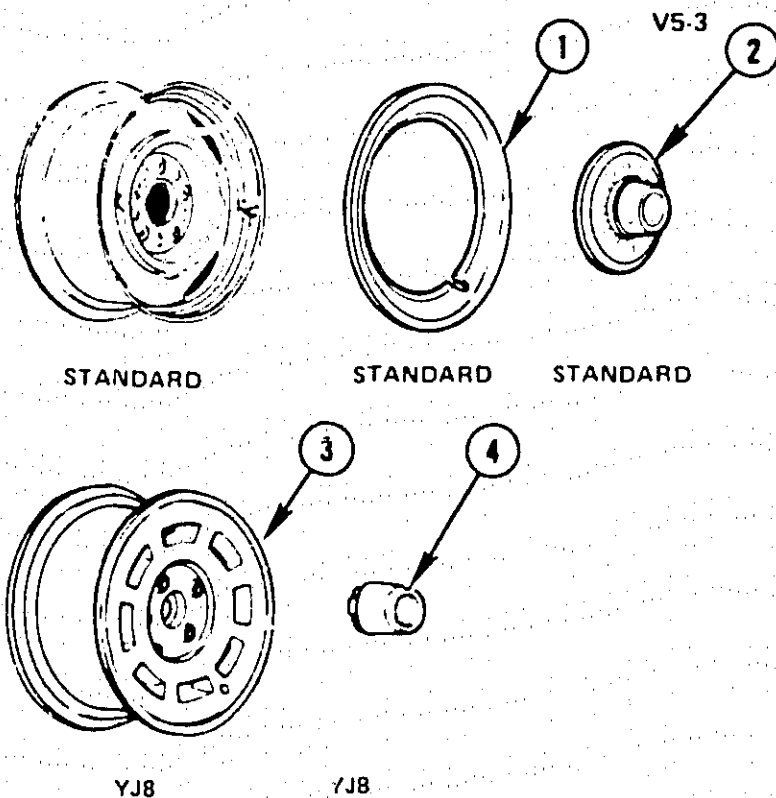


V5-2

V5-2

1967-79 HUB CAPS AND WHEEL COVERS

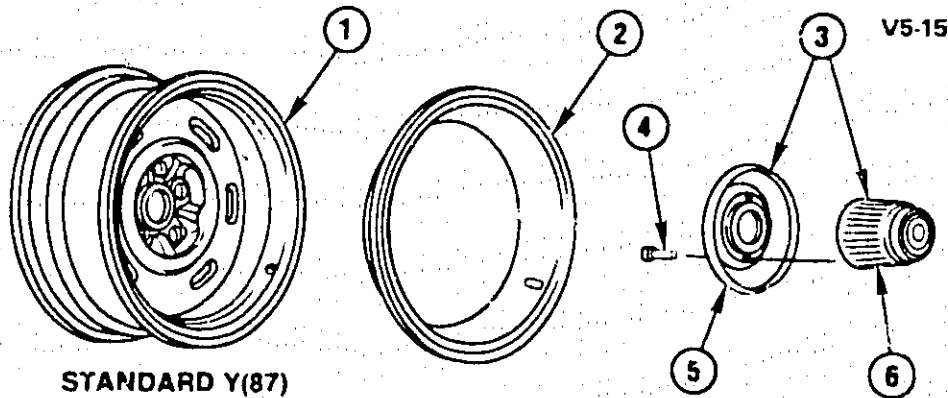
H 19	1. COVER, 1967	5.858
	WHEEL	N.S.
H 19	2. CAP, 1967	5.858
H 19	ORNAMENT, 1967	5.871
H 19	RING ASM, 1967	5.871
H 19	3. COVER, 1968-74	5.858
H 19	4. HUB CAP, 1968-78	5.858
H 19	ORNAMENT, 1968-78	5.871
H 19	RING ASM, 1968-78	5.871
H 19	5. CAP, 1973-78	5.858



V5-3

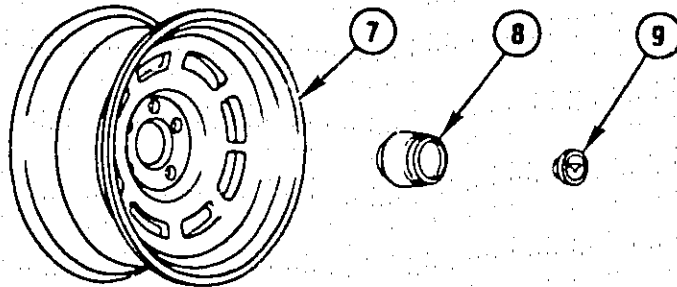
1980-81 'Y' HUB CAPS & WHEEL COVERS

H 19	1.	5.871 RING ASM, Wheel Trim	3923626
H 19	2.	5.858 CAP, W/Ornament, Hub	3925801
H 18	3.	5.803 WHEEL, Aluminum (15" X 8")	14022120
H 19	4.	5.858 CAP, Hub	474312

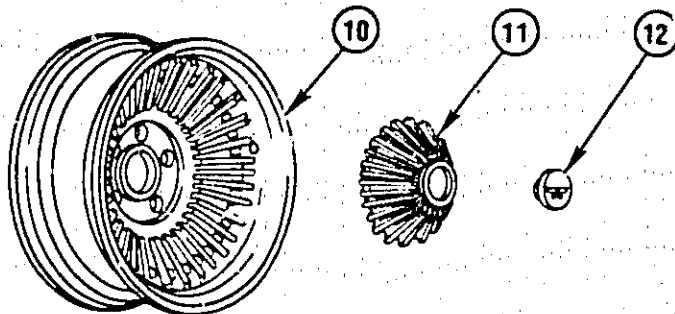


STANDARD Y(87)

V5-15



ALUMINUM Y(87)



ALUMINUM Y(07)

V5-15

1982 'Y' WHEELS & TRIM

H 18	1.	5.803	WHEEL, 15 x 8(*1)	327708
H 19	2.	5.871	RING, Whl Trim(*1)	3923628
H 19	3.	5.858	CAP ASM, Hub (Includes items 4,5,6)(*1)	3925801
H 19	4.	5.871	SCREW, Hub Cap Orna(*1)	3824195
	5.	N.S.	CAP, Hub (Part of #3)(*1)	
H 19	6.	5.871	ORNAMENT, Hub(*1)	3925805
H 18	7.	5.803	WHEEL, Alum (15 x 8)(*2)	14022120
H 19	8.	5.858	CAP, Hub(*2)	474312
H 19	9.	5.871	INSERT, Hub Cap(*2)	14055921
H 18	10.	5.803	WHEEL, Alum (15 x 8)(*3)	14050644
H 19	11.	5.858	CAP, Hub (Includes item 12)(*3)	14035679
H 19	12.	5.871	INSERT, Hub Cap(*3)	14041923

NOTE 1: Used on Y(87) model only as Standard equipment.

NOTE 2: Used on Y(87) model only with Aluminum Wheel option N90.

NOTE 3: Used on Collector Edition Y(07) model only as Standard equipment.

MICROFICHE INDEX
GROUPS 4.000 THRU 5.000
FICHE 3 OF 6

GROUP DESCRIPTION	STARTING GRID LOCATION	
	PARTS	ILLUSTRATIONS
- INTRODUCTION	A-6	I-2
- GENERAL INFORMATION	A-2	I-2
- ALPHABETICAL INDEX	C-11	N.A.
- INDEX FOR ADDITIONAL INFORMATION	A-5	N.A.
4.000 TRANSMISSION - BRAKES	E-2	I-6
5.000 BRAKES - REAR AXLE - PROPELLER SHAFT - WHEELS	H-7	L-19
- OUT OF FICHE CALLS	N.A.	N-16

N-1

OUT OF

FICHE

CALLS

0.000 ENGINE, Universal

NOTE 1. THIS ENGINE HAS THE FOLLOWING ITEMS DELETED: WATER PUMP, TORSIONAL DAMPER, INLET AND EXHAUST MANIFOLDS, DISTRIBUTOR, FLYWHEEL, SPARK PLUGS, CLUTCH, CLUTCH HOUSING AND RELATED PARTS. THESE PARTS MAY BE TRANSFERRED FROM THE REPLACED ENGINE IF IN SATISFACTORY CONDITION, OR PURCHASED NEW WHEN REPLACEMENT PARTS ARE REQ'D FOR THIS ENGINE AS IT IS RECEIVED. THEY SHOULD BE ORDERED USING THE LATEST MODEL YEAR CATALOG IF PARTS ARE REQUIRED FOR THESE ITEMS BEING TRANSFERRED FROM THE REPLACED ENGINE OR ANY DRESS ITEMS. THEY SHOULD BE ORDERED ACCORDING TO THE MODEL YEAR OF THE VEHICLE. WHEN USED WITH AUTOMATIC TRANSMISSIONS, REMOVE CLUTCH PILOT BEARING FROM CRANKSHAFT.

NOTE 2. MODEL YEAR IDENTIFICATION WHICH MAY BE REQUIRED FOR DETERMINATION OF REPLACEMENT PARTS IS LOCATED IN THE ENGINE IDENTIFICATION SECTION AT THE FRONT OF THIS CATALOG.

NOTE 3. THIS ENGINE MAY HAVE BEEN BUILT WITH CYL HD INCORPORATING 3/8 SENDER HOLE IN LH HEAD. IT WILL BE NECESSARY TO PROCURE SENDER WATER TEMP #89993164 FOR 1979 MDLS. IF USED ON 1978 AND PRIOR MDLS, THE FOLLOWING IS REQUIRED: REMOVE EXISTING TEMP LGHT SENDING UNIT AND DISCARD. USING 3/8" PIPE HOLE IN CYL HD AS A TEMPLATE, DRILL OUT HOLE TO 23-32" & TAP TO 1-2-14 N.P.S.I. INSTALL ORIGINAL SENDER SW FROM REPLACED ENGINE.

71-79 Y (350) (EXC SP. H/PER) 14009800 1 N.L. ENGINE. (NOTE 1,2,3)

0.829 BUMPER-PLUG-SEAL, Engine Clutch Pedal

55-73	Y	14046866	1	57	BUMPER, PED
75-76	Y (EXC. P.B.)	1380966	1	41	BUMPER, PED
77-81	Y	14046866	1	57	BUMPER, PED
67-77	Y	4768119	1	33	PLUG, PEDAL PUSH ROD HOLE (10 778)
68-81	Y	3915689	1	2 50	SEAL, PEDAL PUSH ROD HOLE

1.166 CLAMP, Hose (Radiator, Heater, A.C.)

53-81	Y	1470029	AR	1 60	CLAMP, WORM TYPE (FOR 13/16" DIA)
53-82	Y	2488394	AR	1 60	CLAMP, WORM ADJ TYPE (1 3/8 TO 2 1/4 DIA)
53-79	Y	3749810	AR	1 60	CLAMP, HEX HD WORM GEAR (1" TO 6")
53-82	Y	22518665	AR	43	CLAMP, WORM TYPE (5/8" TO 1 08" DIA)
56-82	Y	2465838	AR	1 25	CLAMP, WORM TYPE (2 1/2 TO 3 1/2)
61-82	Y	3786275	AR	45	CLAMP, HOSE (SPRING BAND) YELLOW PC (562)
67-79	Y	2488394	AR	1 60	CLAMP, HEX SL HD (1 62-1 94) (TYPE C HOSE)
70-82	Y	14052374	2	N.L.	CLAMP, WORM TYPE (1 1/16" X 1 5/16" ID)
75-79	Y	8888639	AR	1 75	CLAMP, TYPE D (4 9/32 OPEN, 3 31/32 CLOS)
76-79	Y	477402	AR	1 15	CLAMP (31 TO 75 DIA)
82	Y	22518664	AR	42	CLAMP, HEX HD WORM (1 06" TO 2 00")

2.447 BRACKET-CAPACITOR-CLIP-STRIKER-SWITCH, Stop Lamp

69-76	Y	3952897	1	54	BRACKET, SW
77-82	Y	376216	1	1 05	BRACKET, SW (3 885)
74-77	Y	3961556	1	4 10	CAPACITOR, SW (9 663)
77-81	Y	1361699	1	45	CLIP, STOP LP SW
82	Y	1251368	1	45	CLIP, STOP LP SW (TUBULAR)
69-77	Y (EXC. P.B.)	3974794	1	54	STRIKER, SW
69-75	Y W/P.B.	376216	1	75	STRIKER, SW
76-82	Y	376216	1	75	STRIKER, BRK PED SW
58-79	Y (EXC. P.B., CRUISE CONT)	1261219	1	1 55	SWITCH,
68	Y	1993446	1	22 05	SWITCH, W/LVR
77-80	Y W/CRUISE CONT	9794682	1	N.L.	SWITCH,
80	Y W/A.T. (MV4, M33)	25504628	1	N.L.	SWITCH
81-82	Y W/A.T. (EXC. CRUISE CONT)	25504628	1	N.L.	SWITCH,
81-82	Y W/A.T., CRUISE CONT	9794682	1	N.L.	SWITCH,

2.698 BRACKET-CLIP-ROD-SCREW-SWITCH, Back Up Lamp

65-73	Y W/MUNCIE 4-SPD	3884298	1	2 25	BRACKET, SW MT
74-81	Y W/M.T. (4-SPD)	6258268	1	4 90	BRACKET, SW CONT
80-81	Y W/M.T.	3989067	1	33	CLIP, BRG LP SW CONT ROD (3 425)
68-74	Y W/4-SPD	3923915	1	4 50	ROD, SW CONT
75-81	Y W/M.T.	6258267	1	3 30	ROD, SW CONT
53-82	Y	558688	AR	25	SCREW, HEX (8-18 X 270 STL)
63-67	Y W/4-SPD	1993666	1	22 30	SWITCH, LP
65-67	Y W/P.G.	1993411	1	41 65	SWITCH, W/NEU SAF LP (4 054)
68-72	Y W/A.T.	3948538	1	24 95	SWITCH, NEU SAF AND BACKING (4 054)
68-78	Y W/M.T.	1993430	1	29 45	SWITCH, BACKING
74-82	Y	470108	1	16 30	SWITCH, NEU SAF AND BACKING LP (4 054)
78	Y W/M.T. (350) (M20) (EXC SP H/PER.)	3938481	1	NL	SWITCH, LP
79	Y W/M.T.	1994218	1	29 45	SWITCH, LP
80-81	Y W/M.T. (M18)	1994220	1	30 15	SWITCH, LP

2.760 ACTUATOR-BRACKET-DISC-FILTER-GEAR-GROMMET-MOTOR-RETAINER-SCREW-SPRING-TANK-TEE-VALVE, Concealed Headlamp Control Drive

68-82	Y	5638541	LH	56 25	ACTUATOR
68-82	Y	5638542	RH	56 25	ACTUATOR
72	Y	3840474	2	2 80	BRACKET, HDLP AND WSW VAC PIPE (8 857)
63-67	Y	4912266	2	1 58	DISC, ACTR HAND WHL (ALUMINUM)
68-82	Y	5638432	1	2 45	FILTER, AIR (CHECK VLV TYPE)
63-67	Y	4912262	2	26 30	GEAR, ACTR DRIVE
63-68	Y	4910180	2	41	GROMMET, OPG MOTOR RET SPCR (10 152)
63-67	Y	5045374	RH	206 05	MOTOR, W/SUPT
63-67	Y	5045375	LH	206 05	MOTOR, W/SUPT
63-67	Y	3794287	2	62	RETAINER, OPG MOTOR
63-68	Y	4906744	2	12	SCREW, ACTR ARMATURE END PLAY SET (10 150)
63-68	Y	4913805	4	73	SPRING, MOTOR BRUSH (10 150)
68-82	Y	3935516	2	64	SPRING, HSG
80-82	Y	14011852	1	8 80	TANK, VAC RESV
82	Y	3992117	1	86	TEE, HDLP VAC HOSE (9 198)
68-82	Y	3926296	1	3 30	VALVE, VAC RESV CHECK
68-82	Y	5638317	1	7 85	VALVE, ACTR

3.162 CLIP-RETAINER, Fuel Pipe

68-69	Y (EXC 3/2BC, H.D. 427)	340392	AR	35	CLIP, FUEL FEED AND RTN PIPE, FUEL VAPOR PIPE
78-79	Y	558475	AR	30	CLIP (3 DIA CLOSED LOOP 1 68 TOT LEN STL)
80-82	Y	2399078	1	40	CLIP, FUEL VPR PIPE (CLSD TYPE) (4 866)
78-81	Y	458949	1	71	RETAINER, FUEL FEED & RTN PIPE HOSE
82	Y	14033712	1	62	RETAINER, FUEL HOSE

3.425 BUSHING-CLAMP-CLIP-RETAINER-SLEEVE-STUD-SWIVEL, Carburetor Throttle Control

53-82	Y	3794377	1	38	BUSHING, ACCEL ROD (5/16 I.D X 1/2 O D)
53-82	Y (6 CYL.)	3794377	1	38	BUSHING, ACCEL ROD (5/8 I.D X 1/2 O D)
55-57	Y (8 CYL.)	3710820	2	38	BUSHING, ACCEL PEDAL ROD (NYLON)
68-72	Y	3921617	1	54	CLAMP, ACCEL CONT CABLE
53-55	Y (6 CYL.)	3700188	AR	59	CLIP, CARB TO ACCEL ROD ATTACH
55-82	Y	3700188	AR	59	CLIP, ACCEL TO CONT ROD SWIVEL
58	Y W/P.G.	3711177	AR	62	CLIP, CROSS SHAFT ROD SWIVEL
65-69	Y	3700188	AR	59	CLIP, CARB TO ACCEL LVR ROD, CARB TO CONT LVR, CARB TO ACCEL LVR ROD SWIVEL
65-69	Y	3711177	AR	62	CLIP, ACCEL CONT ROD SWIVEL
67	Y W/3/2BC	330668	AR	54	CLIP, CTR TO RR CARB ROD

3.425 BUSHING-CLAMP-CLIP-RETAINER-SLEEVE-STUD-SWIVEL
Carburetor Throttle Control (Con't)

69.70	Y	8256773	AR	45	CLIP, ROD END AUTO CHOKE ROD TO CARB
70.73	Y	330688	AR	54	CLIP, CTR TO RR CARB ROD
71.79	Y W/M.T. (M20, M21)	3989067	1	33	CLIP, BKG LP SW CONT ROD
80.82	Y	3982782	AR	44	CLIP, SPECIAL
80.81	Y W/M.T. (M18)	3989067	1	33	CLIP, BKG LP SW CONT ROD
88.73	Y	403929	1	31	RETAINER, CABLE TO ACCEL PEDAL LVR, ACCEL CONT CABLE
75.82	Y	1247872	1	33	RETAINER, ACCEL CONT CABLE
53.82	Y	3866271	AR	33	SLEEVE, ACCEL CONT ROD (1/4 I.D. X 3/8 O.L.) (NYLON)
89	Y (350) (EXC. H/PER)	3924414	1	58	STUD, ACCEL LVR BALL
89	Y (427) W/H, PER	3924414	1	58	STUD, ACCEL LVR BALL
70.73	Y	3924414	1	58	STUD, ACCEL LVR BALL
55.59	Y	3711199	AR	62	SWIVEL, BELLCRANK ROD
55.62	Y W/P.G. (8 CYL.)	3711199	AR	62	SWIVEL, CARB TO ACCEL ROD
56.66	Y (8 CYL.) (EXC. DUAL 4BC)	3892880	1	62	SWIVEL, ACCEL CONT ROD
85.89	Y	3711199	AR	62	SWIVEL, CARB TO ACCEL LVR ROD

3.682 SENSOR, Emission Control Sensors

80	Y (305)	8993311	1	38 20	SENSOR, COOLANT TEMP
80	Y (305H)	5613719	1	28 57	SENSOR, OXYGEN(2 WIRE)
81	Y	5613719	1	28 57	SENSOR, OXYGEN(2 WIRE)
81	Y	1600634	1	58 50	SENSOR, MANIF C/FF PRESS
81.82	Y	25036092	1	N L	SENSOR, COOLANT TEMP
82	Y	5613959	1		SENSOR, OXYGEN(1 WIRE)
82	Y	16017460	1	87 35	SENSOR, M.A.P.
82	Y	25007278	1	47 55	SENSOR, SPEEDO BUFFER
82	Y W/CLSD LOOP	1997463	1	N L	SENSOR, ESC KNOCK

3.706 BRACKET-BRACKET KIT-HANGER-HANGER KIT-WASHER, Exhaust Mounting

NOTE 1: USE OLD PART AS GUIDE TO GET PROPER ATTACHING HOLE AND LENGTH

53.82	Y	3998543	AR	3 45	BRACKET, W/INSULATOR (USED W/1 7/8" CLAMP AND 1 3/4" X 5 1/2" INSUL.) (NOTE 1)
81.82	Y	3784481	2	1 70	BRACKET, RR
78.82	Y	458987	2	4 35	BRACKET, W/INSULATOR
53.82	Y	360022	1	4 60	BRACKET KIT,
76.78	Y	357781	1	10 90	HANGER, EXH C/OVR RR PIPE
78.82	Y	458970	2	91	HANGER
75.79	Y	360023	1	6 40	HANGER KIT, RESO AND TAIL PIPE
75.79	Y	360024	1	12 10	HANGER KIT, EXH
80.82	Y	6255640	AH	21	WASHER (390 I.D. X 810 O.D. X 124 TK)

6.022 NUT, Steering Knuckle Spindle

89.82	Y W/FRT DISC BRK	3953436	2	1 15	NUT (27/32-20 THD)
-------	------------------	---------	---	------	--------------------

6.524 SHAFT -WORM-YOKE, Steering Column

83.66	Y (EXC T&T WHL)	5690810	1	24 20	SHAFT (COMPLETE)(37 1/32"
75.76	Y (EXC T&T WHL)	7831547	1	64 75	SHAFT (COMPLETE)
75	Y W/T.W., TEL WHL	7818945	1	194 00	SHAFT (COMPLETE)(31 17/32)
76	Y W/T&T WHL	7825132	1	196 00	SHAFT (COMPLETE)(31 17/32)
78	Y W/T&T WHL	7825142	1	105 00	SHAFT, LWR
77	Y (EXC T&T WHL)	7831549	1	64 75	SHAFT (COMPLETE)
77	Y W/T&T WHL	7827129	1	62 00	SHAFT, UPR
77	Y W/T&T WHL	7827196	1	196 00	SHAFT (COMPLETE)
77.82	Y W/T&T WHL	7827197	1	105 00	SHAFT, LWR
78	Y (EXC T&T WHL)	7829834	1	66 50	SHAFT (COMPLETE)
78.82	Y W/T&T WHL	7829047	1	61 75	SHAFT, UPR
78.82	Y W/T&T WHL	7829800	1	194 00	SHAFT (COMPLETE)
83.71	Y	5677650	1	68 00	WORM, W/BALL NUT
70.82	Y	7812942	1	84 75	WORM, STRG GEAR
77.82	Y W/T&T WHL	7825339	1	78 50	YOKE, W/RACE.SHAFT

**6.525 BEARING-BOLT-BOLT KIT-CLAMP-CLAMP KIT-COUPLING-
FLANGE-NUT-RETAINER-SCREW-SEAL-SPRING-WASHER, Steering
Gear Shaft**

70	Y	5671921	2	1.50	BEARING, U JT COUPLING
53-79	Y	3991997	AR	1.10	BOLT, HEX (7/16-20 X 2.300M)
65-82	Y	7807271	1	2.30	BOLT (3/8-24 X 1 7/32)
67-68	Y	7806747	1	5.10	BOLT KIT,
53-68	Y	599234	AR	1.10	CLAMP, STRG SHAFT LWR BRG SPRING CLAMP (3/4 I.D. X 3/4 WIDE) (6 525)
71-73	Y W/T W, TEL WHL	7804801	1	7.60	CLAMP KIT, W/BOLT
63-68	Y (EXC TEL WHL)	5690809	1	68.50	COUPLING, W/FLANGE
63-66	Y (EXC TEL WHL)	5691327	1	34.75	COUPLING, W/FLANGE, LWR
67-69	Y (EXC P.S.)	7806391	1	25.50	COUPLING, W/FLANGE
69-77	Y	7818568	1	31.50	COUPLING, W/FLANGE, LWR
78-81	Y	7818568	1	31.50	COUPLING, W/FLANGE
67-82	Y	7807052	1	20.15	FLANGE, GEAR, UPR
78-81	Y	7818568	1	31.50	FLANGE, W/CPLG. GEAR
78	Y	7828012	1	2.00	NUT, COUPLING SHIELD RET
70	Y W/T W, TEL WHL	7803432	2	86	RETAINER, INTER STRG SHFT COUPLING SEAL
71-79	Y W/T&T WHL	7803623	1	1.15	SCREW, SHFT LK BOLT SPRING (6 500)
70-82	Y	5674114	1	1.85	SEAL GEAR WORM SHAFT
74-79	Y (350) (M20, M21) H/PER	5696537	2	2.35	SEAL, TRANS SHFT LVR SHF OIL
79	Y (M20) (EXC SP H/PER) (2ND DES)	5696537	1	2.35	SEAL, TRANS SHFT LVR SHF OIL
80-81	Y (M18)	5696537	1	2.35	SEAL, TRANS SHFT LVR SHF OIL
70-71	Y	5675186	1	57	SPRING, UPR, COUPLING
67-78	Y (EXC T.W. WHL)	7800580	1	72	WASHER, UPR RET RING THRUST (6 521)

6.786 BEARING-BUSHING, Steering Gear Pitman Shaft

53-82	Y	148418	1	3.60	BEARING, HOUSING (1 1/8 I.D. X 1 3/8 O.D. X 1 LONG)
63-82	Y	266316	AR	4.05	BUSHING (1 1/8 I.D. X 1 3/8)

6.803 HOUSING, Steering Gear

63-82	Y	5677646	1	77.00	HOUSING, W/BSHG
-------	---	---------	---	-------	-----------------

6.807 COVER, Steering Gear Housing Side

63-82	Y	7806748	1	21.85	COVER, W/BSHG, SI
-------	---	---------	---	-------	-------------------

6.809 BOLT-GASKET, Steering Gear Housing Side Cover

69-75	Y	180120	3	33	BOLT (3/8-16 X 3/4)
63-82	Y	5666734	1	68	GASKET (3" HOLES 13/32 I.D.)

6.822 ADJUSTER, Steering Gear Lash Adjuster

53-82	Y	7802482	1	1.25	ADJUSTER, LASH (7/16-20 X 1 9/16)
-------	---	---------	---	------	-----------------------------------

6.828 SHIM KIT, Steering Gear Lash Adjuster

53-82	Y	605142	1	1.60	SH.M KIT (.063-.065-.067-.069 THK)
-------	---	--------	---	------	------------------------------------

6.830 ADJUSTER, Steering Gear Worm Bearing

63-82	Y	5677643	1	13.70	ADJUSTER, STRG GEAR WORM BRG
-------	---	---------	---	-------	------------------------------

6.832 NUT, Steering Gear Housing

63-82	Y	5678217	1	1.75	NUT, ADJ LOCK (2 3/4-16 THREAD)
-------	---	---------	---	------	---------------------------------

6.835 BEARING-RACE, Steering Gear Thrust

53-82	Y	281866	2	3.65	BEARING (1 3/4 O.D.)
63-82	Y	5666693	2	2.60	BEARING (1 5/16 O.D.)
63-82	Y	5666683	2	4.02	RACE (1 1/2 O.D. X 5/16 THK)

6.842 GUIDE, Steering Gear Ball Return

63-71	Y	7805155	AR	11.00	GUIDE (RH THREAD)
75-82	Y	7805155	AR	11.00	GUIDE,

6.843 CLAMP-SCREW, Steering Gear Ball Return Guide

63-82	Y	5677106	1	.75	CLAMP (5/8 WIDE, R.H. THREAD)
63-82	Y	5674113	3	51	SCREW, W/LOCKWASHER (#12-28 X 5/16)

6.844 BALL, Steering Gear Worm

63-72	Y	7808541	AR	54	BALL (9/32 DIA.)
70-82	Y	5671106	1	6.90	BALL, STRG GEAR

6.850 GEAR, Steering Gear Pitman

63-82	Y	7812838	1	38.00	GEAR,
-------	---	---------	---	-------	-------

6.855 SEAL, Steering Gear Pitman Shaft

63-82	Y	7801626	1	3.40	SEAL, STRG PITMAN SHAFT GREASE
-------	---	---------	---	------	--------------------------------

6.861 NUT-WASHER, Steering Pitman Arm

53-82	Y	7809779	1	1 40	NUT (3/4-16 X 3/8 THICK-1 1/4 HEX)
63-82	Y	5667628	1	1 80	NUT, PITMAN ARM (7/8-14)
78-79	Y	5697702	AR	81	WASHER, LOCK
92	Y	5697702	1	81	WASHER, PITMAN ARM LOCK

7.039 BRACE-BRACKET-GUSSET-REINFORCEMENT-WASHER, Frame Front Cross Member

75	Y	3986809	LH	8 15	BRACE, FRT
75	Y	3986810	RH	8 15	BRACE, FRT
63-79	Y	3819337	LH	7 60	BRACKET, DIFF CARR MT,RR
63-79	Y	3819338	RH	4 95	BRACKET, DIFF CARR MT,RR
63-79	Y	3949055	1	7 30	BRACKET, DIFF CARR MT,FRT
75-79	Y	348063	LH	21 80	GUSSET, FRT
75-81	Y	348064	RH	21 80	GUSSET, FRT
68-79	Y	3949017	LH	8 15	REINFORCEMENT, FRT
68-79	Y	3949018	RH	8 15	REINFORCEMENT, FRT
70-80	Y	1370177	AR	47	WASHER, FLAT (17/32 X 1 X 5/32 ZC)

8.857 BRACKET-CASE-FAN-GASKET-NUT-PLATE, Heater and Defroster

NOTE 1. 1ST DESIGN IS W/O SHORT STACK MOTOR. 2ND DESIGN W/ SHORT STACK MTR (GRP 9 216)
NOTE 2. SEE GROUPS 2 343, 9 786, 12 980 FOR ADDITIONAL USAGE

68-82	Y	3840474	AR	2 80	BRACKET, HTR, DEFR BLO MT (NOTE 2)
69-79	Y W/A C	3840474	AR	2 80	BRACKET, RCVR DEHYD
68-79	Y (EXC. A.C.)	3014358	1	33 75	CASE, BLO
63-71	Y	3905776	1	N L	FAN
72-77	Y (1ST DESIGN-1977)	3027031	1	N L	FAN, (NOTE 1)
77-79	Y (EXC. A.C.)	3027062	1	8 65	FAN
63-67	Y	3143552	1	1 75	GASKET, BLO CASE
53-63	Y (EXC. A.C.)	3130055	1	30	NUT, RET (USE FANS W/O SET SCREWS)
64-76	Y	3130804	1	38	NUT, RET (NO 10-32)
74-77	Y	3011293	1	35	NUT, BLO TO MTR (5/8" X 3/64" X 5/16")
68-82	Y W/A C	3918537	2	60	PLATE, AIR SEL DUCT MT

9.775 GROMMET-SEAL, Wiring and Pipes

NOTE: SOME GROMMETS MAY REQUIRE THE ADDITION OF HOLES.

53-80	Y	3918672	1	81	GROMMET, TACH, SPEEDO FLEX SHAFT, RUBBER (1 1/8" O.D. X 3/8" I.D.)
58-82	Y	3918672	1	81	GROMMET, SW WIRING HARN AND SW (9/32")
60-62	Y	3708175	AR	66	GROMMET, GAS TANK VENT PIPE HOSE, CHASSIS WIRING HARN, FLDG TOP WIRING HARN, LICENSE PLATE LAMP WIRE, GAS GAGE WIRE SPEEDO FLEX SHAFT (1/8")
63-67	Y	3838273	1	98	GROMMET, OIL PRESS GAGE PIPE, WIPER SW WIRE AND VAC HOSE, RR WIRING HARN (2 1/8" OD-4 HOLES)
63-69	Y W/A.C.	332650	1	36	GROMMET, INLET TUBE AT RAD SUPT (13/16" I.D.)
65-67	Y	3875822	1	1 05	GROMMET, SPEEDO AND TACH FLEX SHAFT
65-68	Y (396, 427) W/SP. H/PER.	3711345	AR	44	GROMMET, SPARK PLUG WIRE
66-70	Y	409988	2	28	GROMMET, IGN COIL
67	Y	3711345	AR	44	GROMMET, PARK BRK CBL
68	Y	3918672	AR	81	GROMMET, ANTI-THEFT ALARM SYSTEM HORN
68-76	Y	3918672	1	81	GROMMET, PARK BRK CBL IN U/B, W/S/W NOZZLE HOSE
68-76	Y	3919057	1	38	GROMMET, BODY WRG HARN
68-70	Y	6437746	2	1 08	GROMMET, BACKING LP WIRE, BODY WRG HARN (4, 197)
69-81	Y	3697358	1	66	GROMMET, U/B STOR COMPT LGT LEADS (RUBBER) (.64 HOLE)
70-82	Y	332650	1	36	GROMMET, SPEEDO FLEX SHAFT
74-81	Y	3829698	AR	38	GROMMET (RUB OD 84, ID 66, HOLE SIZE .09 LOCATION)
74-77	Y	3918672	2	81	GROMMET, WSWA NOZ HOSE
75	Y W/A.C.	3027215	1	33	GROMMET, EVAP INLET PIPE
76-82	Y	6264117	1	57	GROMMET, SPL PARK BRK CBL IN U/B
79	Y W/ELEC DEFG	3979756	1	66	GROMMET, RR WDO DEFOG HARN
79	Y W/ELEC DEFOG	3979756	1	66	GROMMET, A.C. CNDSR TUBE
80-82	Y	3979756	1	66	GROMMET, I/P WRG HARN
82	Y	14043231	2	66	GROMMET, CLOSED LOOP HARN
76	Y	3008851	3	56	SEAL, EVAP CORE TO CASE

**10.230 EXTENSION-EYELET-PANEL-REINFORCEMENT-RETAINER-SEAL,
Instrument Panel**

NOTE 1: PAINT AS REQUIRED

68-72 Y	3824485	AR	40	EXTENSION, I/P PAD UPR AND LWR (12 840) (NOTE 1)
70-72 Y	3983168	RH	26 00	EXTENSION, LWR DASH
73-82 Y	331801	LH	21 75	EXTENSION, LWR DASH
73-82 Y	331302	RH	21 75	EXTENSION, LWR DASH
68-82 Y	3934285	6	30	EYELET, LWR PAD
63-67 Y	3833172	RH	26 50	PANEL, CNSL TR (FLASTIC)
63-67 Y	3894579	1	76 00	PANEL (PLASTIC LAMINATE) (NOTE 1)
69-77 Y	333541	LH	48 00	PANEL, SI TR (NOTE 1)
69-77 Y	333542	RH	48 00	PANEL, SI TR (BLACK) (NOTE 1)
78 Y	458198	1	561 00	PANEL (DK BROWN)
78 Y	14045995	1	561 00	PANEL (SAFFRON)
78-82 Y	14045995	1	561 00	PANEL (SLATE-131) (NOTE 1)
70-77 Y	3974011	2	59	REINFORCEMENT, DASH PNL UPR PAN
79-82 Y	14011480	1	1 40	RETAINER,
75-82 Y	346769	AR	43	SEAL, URETHANE (9 10 X 90. X 40) (CUT & FORM AS REQD)

**10.240 BRACE-BRACKET-EMBLEM-REINFORCEMENT-SUPPORT, Floor
Console**

68-75 Y67 W/A C	3942731	1	2 50	BRACE, U/B TO DASH PNL
76-82 Y	362968	1	2 30	BRACKET, CNSL SUPT TO U/B
78 Y W/Z78	473296	1	9 15	EMBLEM, U/B TUN TR PLT
68-76 Y	3918660	1	1 95	REINFORCEMENT, U/B TUN FRT CNSL (1/32" THICK)
68-75 Y67 W/A C	3942727	1	24 80	REINFORCEMENT, U/B TUN FRT (3/32" THICK)
77-82 Y	379972	1	1 95	REINFORCEMENT, U/B TUN CNSL CTR
68-76 Y	339174	1	1 55	SUPPORT, U/B TUN FRT CNSL TO U/B

12.045 RECEIVER-TRAY , Door, Quarter Arm Rest or Front Seat Back

77-81 Y	1854525	1	13 30	RECEIVER
67-82 Y	3781773	1	12 60	TRAY (IN TUN)
63-76 Y	3823400	1	5 65	TRAY

12.981 BEZEL-BONDING STRIP-BRACE-BRACKET-BUMPER-BUSHING-CLIP-COMPARTMENT-CONSOLE-COVER-DOOR-ESCUTCHEON-FRAME-HANDLE-HINGE-HOOK-MOLDING-NUT-PANEL-PLATE-PLUG-REINFORCEMENT-RETAINER-RING-RIVET-SEAL-SHIELD-STRAP-STRIKER-STRIP-SUPPORT, Rear Compartment Floor

NOTE 1: WHEN USING 3947974 IN PLACE OF 3936378 ADD TWO OPENINGS FOR BACK-UP LAMPS, USING OLD PART AND LAMP ASM. AS GUIDE

NOTE 2: WHEN USED IN 1971 MODELS, CUT OPENINGS FOR INSTL. FIBRE OPTICS, AND PAINT AS REQD.

NOTE 3: 371439 AND 14004692 ARE NOT INTERCHANGEABLE DUE TO ROOF PANEL AND REAR END CONFIGURATION.

NOTE 4: 2ND DESIGN USE ON VEHICLES WITH VIN NUMBERS 416754 FOR 1976.

NOTE 5: 1ST DESIGN USE ON VEHICLES WITH VIN NUMBERS 411043 THRU 416753.

NOTE 6: PAINT AS REQUIRED

NOTE 7: 1ST DESIGN 1979 USED WITH 3 DR TYPE U/B STOR COMPT, PART OF FRAME ASM 14022163.

NOTE 8: WHEN USING 14016187 PANEL ASM IN PLC OF 14004690 IT WILL BE NECESSARY TO USE 1981 SEAT ADJ ASMS 14016105(LH) & 14016106(RH) & PANEL 14016189.

NOTE 9: DRILL HOLES FOR ELECTRICAL PROVISIONS AS REQUIRED.

NOTE 10: NO COMPARABLE 2ND DESIGN.

NOTE 11: NO COMPARABLE 1ST DESIGN.

NOTE 12: USED W/2 DR U/B STOR COMPT. USED W/FRAME 14022163 PAINT TO MATCH.

12.981

BEZEL-BONDING STRIP-BRACE-BRACKET-BUMPER-BUSHING-CLIP-COMPARTMENT-CONSOLE-COVER-DOOR-ESCUTCHEON-FRAME-HANDLE-HINGE-HOOK-MOLDING-NUT-PANEL-PLATE-PLUG-REINFORCEMENT-RETAINER-RING-RIVET-SEAL-SHIELD-STRAP-STRIKER-STRIP-SUPPORT, Rear Compartment Floor (Con't)

68-76 Y		6258826	1	4 60	BEZEL, U/B TUN PR
63-67 Y		3797092	1	35 00	BONDING STRIP, RIGHT RR QTR TO RF AND BODY RR LWR PNL
63-66 Y (EXC. SPT. CPE)		3797091	1	35 00	BONDING STRIP, BODY RR UPR AND LWR PNL
63-67 Y37		3797091	1	35.00	BONDING STRIP, LEFT RR QTR TO RF AND BODY RR LWR PNL, RR QTR
65-67 Y		3841537	LH	12.40	BONDING STRIP, RR QTR TO BODY RR LWR PNL
68-72 Y		3996837	LH	29.50	BONDING STRIP, RR QTR TO RF AND BODY RR LWR PNL
68-72 Y		3996838	RH	29.50	BONDING STRIP, RR QTR TO RF AND BODY RR LWR PNL
68-73 Y		3922304	2	1.40	BRACE, BODY RR LWR FIL PNL
68-72 Y37		3926303	LH	44	BRACKET, B/W STOR TRAY TO TRAY
78-81 Y		468169	LH	58	BRACKET, RR COMPT CLOSEOUT PNL, OTR
78-81 Y		468171	LH	1.05	BRACKET, RR COMPT CLOSEOUT PNL, INR
78-81 Y		468172	RH	1.05	BRACKET, RR COMPT CLOSEOUT PNL, INR
78-81 Y		14016134	RH	58	BRACKET, RR COMPT CLOSEOUT PNL, UTR
78-82 Y		14030117	1	45.75	BRACKET, LUG SHADE
68-82 Y		3918670	AR	36	BUMPER, U/B STOR COMPT CVR DOOR
72 Y37		3922010	2	75	BUSHING, B/W STOR TRAY BRKT. (10, 130)
68-72 Y37		3926346	1	2 10	CLIP, B/W STOR TRAY RR
68-79 Y (1ST DESIGN-1979)		371476	1	4 20	COMPARTMENT, U/B STOR CTR (NOTE 7... 1 0)
68-79 Y (1ST DESIGN-1979)		371477	1	14 60	COMPARTMENT, U/B STOR (NOTE 7... 1, 0)
68-76 Y		333388	1	44.75	CONSOLE, U/B TUN RR
68-70 Y		3963151	1	245 00	CONSOLE, U/B TUN FRT (BLACK) (NOTE 6)
71-76 Y		333380	1	196.00	CONSOLE, U/B TUN FRT (BLACK) (NOTE 2)
77 Y		379939	LH	47.75	CONSOLE, U/B TUN SI (NOTE 6)
77 Y		379940	RH	47.75	CONSOLE, U/B TUN SI (NOTE 6)
78 Y		470677	LH	37.75	CONSOLE, U/B TUN SI (DK BROWN)
78 Y		470678	RH	37.75	CONSOLE, U/B TUN SI (DK BROWN)
78-81 Y		470690	RH	37.75	CONSOLE, U/B TUN SI (BLACK)
78-81 Y		470691	LH	37.75	CONSOLE, U/B TUN SI (MED RED)
78-81 Y		470692	RH	37.75	CONSOLE, U/B TUN SI (MED RED)
78 Y		470693	LH	37.75	CONSOLE, U/B TUN SI (SAFFRON)
78 Y		470695	LH	37.75	CONSOLE, U/B TUN SI (LT GRAY)
78-81 Y		470697	LH	37.75	CONSOLE, U/B TUN SI (MID BLUE)
78-81 Y		470698	RH	37.75	CONSOLE, U/B TUN SI (MID BLUE)
78-82 Y		14050639	LH	7.05	CONSOLE, U/B TUN SI (SILVER MET) (NOTE 6... 1, 0)
78-82 Y		14050640	RH	7.05	CONSOLE, U/B TUN SI (NOTE 6... 1, 1)
78 Y W/278		14004629	LH	37.75	CONSOLE, U/B TUN SI (SMOKE GRAY)
78 Y W/278		14004630	RH	37.75	CONSOLE, U/B TUN SI (SMOKE GRAY)
79 Y		14006907	LH	37.75	CONSOLE, U/B TUN SI (DK GREEN)
79 Y		14006908	RH	37.75	CONSOLE, U/B TUN SI (DK GREEN)
79-80 Y		14011433	LH	35.75	CONSOLE, U/B TUN SI (DK GREY)
79-80 Y		14011434	RH	35.75	CONSOLE, U/B TUN SI (DK GREY)
79-80 Y		14011435	LH	35.75	CONSOLE, U/B TUN SI (MED SADDLE)
79-80 Y		14011438	RH	35.75	CONSOLE, U/B TUN SI (MED SADDLE)
81 Y		14023525	LH	37.75	CONSOLE, U/B TUN SI (MED DOESKIN)
81 Y		14023526	RH	37.75	CONSOLE, U/B TUN SI (MED DOESKIN)
81 Y		14023528	RH	37.75	CONSOLE, U/B TUN SI (MED RED)
68-79 Y (1ST DESIGN-1979)		362962	1	14 10	COVER, U/B STOR COMPT (NOTE 7)
79-82 Y (2ND DESIGN-1979)		14007098	1	11 65	COVER, U/B STOR COMPT (W/2 DR TYPE U/B STOR COMPT)
68-77 Y		471238	RH	26.75	DOOR, U/B STOR COMPT (BLACK-40G) (NOTE 7)
68-79 Y (1ST DESIGN-1979)		471237	LH	26.75	DOOR, U/B STOR COMPT (BLACK) (NOTE 7)

12.981

**BEZEL-BONDING STRIP-BRACE-BRACKET-BUMPER-BUSHING-
CLIP-COMPARTMENT-CONSOLE-COVER-DOOR-ESCUTCHEON-
FRAME-HANDLE-HINGE-HOOK-MOLDING-NUT-PANEL-
PLATE-PLUG-REINFORCEMENT-RETAINER-RING-RIVET-
SEAL-SHIELD-STRAP-STRIKER-STRIP-SUPPORT, Rear Compartment
Floor (Con't)**

68-77	Y (2ND DESIGN) (THERMO)	472723	1	22.65	DOOR, U/B STOR CTR COMPT (BLACK-404)
73-78	Y	347827	1	22.80	DOOR, U/B STOR CTR COMPT (BLACK-400)
73-75	Y (2ND DESIGN) (THERMO)	338132	RH	27.50	DOOR, U/B STOR COMPT (MED SADDLE-416)
73-75	Y (2ND DESIGN)	338151	1	23.15	DOOR, U/B STOR CTR COMPT (DK SADDLE-422)
78	Y	387832	RH	26.75	DOOR, U/B STOR COMPT (FIRETHORN-712)
78-78	Y	471265	LH	26.75	DOOR, U/B STOR COMPT (DK BROWN)
78-78	Y	471268	RH	26.75	DOOR, U/B STOR COMPT (DK BROWN)
78-77	Y	472728	1	22.65	DOOR, U/B STOR CTR COMPT (DK BROWN-692)
77	Y	458358	1	22.80	DOOR, U/B STOR CTR COMPT (DK BLUE)
77	Y	458373	1	22.80	DOOR, U/B STOR CTR COMPT (SMOKE GRAY)
77	Y	458377	1	22.80	DOOR, U/B CTR COMPT (BUCKSKIN)
77	Y	458382	RH	26.75	DOOR, U/B STOR COMPT (DK BLUE)
77	Y	480919	LH	28.75	DOOR, U/B STOR COMPT (BUCKSKIN)
77-79	Y (1ST DESIGN-1979)	471267	LH	26.75	DOOR, U/B STOR COMPT (MED RED)
77-79	Y (1ST DESIGN-1979)	471268	RH	26.75	DOOR, U/B STOR COMPT (MED RED) (NOTE 7)
77-79	Y (1ST DESIGN-1979)	472729	1	22.65	DOOR, U/B STOR CTR COMPT (MED RED) (NOTE 7... 1. C)
78	Y	471238	RH	26.75	DOOR, U/B STOR COMPT (OYSTER WHITE)
78	Y	471263	LH	26.75	DOOR, U/B STOR COMPT (DOESKIN)
78	Y	471264	RH	26.75	DOOR, U/B STOR COMPT (DOESKIN)
78	Y	471269	LH	26.75	DOOR, U/B STOR COMPT (SAFFRON)
78	Y	471270	RH	26.75	DOOR, U/B STOR COMPT (SAFFRON)
78	Y	472721	1	22.65	DOOR, U/B STOR CTR COMPT (GRAY)
78	Y	472726	1	22.65	DOOR, U/B STOR CTR COMPT (DOESKIN)
78	Y	472728	1	22.65	DOOR, U/B STOR CTR COMPT (DK BROWN)
78	Y	472730	1	22.65	DOOR, U/B STOR CTR COMPT (SAFFRON)
78-79	Y (1ST DESIGN-1979)	471238	RH	26.75	DOOR, U/B STOR COMPT (BLACK) (NOTE 7)
78-79	Y (1ST DESIGN-1979)	471239	LH	26.75	DOOR, U/B STOR COMPT (MID BLUE) (NOTE 7)
78-79	Y (1ST DESIGN-1979)	471240	RH	26.75	DOOR, U/B STOR COMPT (MID BLUE) (NOTE 7)
78-79	Y (1ST DESIGN-1979)	472723	1	22.65	DOOR, U/B STOR CTR COMPT (BLACK) (NOTE 7... 1. 0)
78-79	Y (1ST DESIGN-1979)	472724	1	22.65	DOOR, U/B STOR CTR COMPT (MID BLUE) (NOTE 7... 1. 0)
78	Y W/Z78	14004642	1	22.65	DOOR, U/B STOR CTR COMPT (SMOKE GRAY)
78	Y W/Z78	14004643	LH	24.85	DOOR, U/B STOR COMPT (SMOKE GRAY)
78	Y W/Z78	14004644	RH	26.75	DOOR, U/B STOR COMPT (SMOKE GRAY)
79	Y (1ST DESIGN)	14008903	LH	26.75	DOOR, U/B STOR COMPT (DK GREEN) (NOTE 7)
79	Y (1ST DESIGN)	14008904	RH	26.75	DOOR, U/B STOR COMPT (DK GREEN) (NOTE 7)
79	Y (1ST DESIGN)	14008915	1	22.65	DOOR, U/B STOR CTR COMPT (DK GREEN) (NOTE 7... 1. 0)
79	Y (1ST DESIGN)	14011429	LH	25.50	DOOR, U/B STOR COMPT (DK GRAY) (NOTE 7)
79	Y (1ST DESIGN)	14011430	RH	25.50	DOOR, U/B STOR COMPT (DK GRAY) (NOTE 7)
79	Y (1ST DESIGN)	14011432	RH	25.50	DOOR, U/B STOR COMPT (MED SADDLE) (NOTE 7)
79	Y (1ST DESIGN)	14011447	1	21.55	DOOR, U/B STOR CTR COMPT (DK GRAY) (NOTE 7... 1. 0)
79	Y (1ST DESIGN)	14011448	1	21.55	DOOR, U/B STOR CTR COMPT (MED SADDLE) (NOTE 7... 1. 0)
79-81	Y (2ND DESIGN-1979)	14022149	LH	26.00	DOOR, U/B STOR COMPT (BLACK) (NOTE 1. 2)
79-81	Y (2ND DESIGN-1979)	14022150	RH	45.50	DOOR, U/B STOR COMPT (BLACK) (NOTE 1. 2)

12.981

**BEZEL-BONDING STRIP-BRACE-BRACKET-BUMPER-BUSHING-
CLIP-COMPARTMENT-CONSOLE-COVER-DOOR-ESCUTCHEON-
FRAME-HANDLE-HINGE-HOOK-MOLDING-NUT-PANEL-
PLATE-PLUG-REINFORCEMENT-RETAINER-RING-RIVET-
SEAL-SHIELD-STAP-STRIKER-STRIP-SUPPORT, Rear Compartment
Floor (Con't)**

79-80	Y (2ND DESIGN-1979)	14022151	LH	26 00	DOOR, U/B STOR COMPT (DK GRAY) (NOTE 1, 2)
79-80	Y (2ND DESIGN-1979)	14022152	RH	45 50	DOOR, U/B STOR COMPT (DK GRAY) (NOTE 1, 2)
79-81	Y (2ND DESIGN-1979)	14022155	LH	26 00	DOOR, U/B STOR COMPT (MID BLUE) (NOTE 1, 2)
79-81	Y (2ND DESIGN-1979)	14022156	RH	45 50	DOOR, U/B STOR COMPT (MID BLUE) (NOTE 1, 2)
79-80	Y (2ND DESIGN-1979)	14022157	LH	26 00	DOOR, U/B STOR COMPT (MED SADDLE) (NOTE 1, 2)
79-80	Y (2ND DESIGN-1979)	14022158	RH	45 50	DOOR, U/B STOR COMPT (MED SADDLE) (NOTE 1, 2)
79-80	Y (2ND DESIGN-1979)	14022159	LH	26 00	DOOR, U/B STOR COMPT (MED RED) (NOTE 1, 2)
79-80	Y (2ND DESIGN-1979)	14022160	RH	45 50	DOOR, U/B STOR COMPT (MED RED) (NOTE 1, 2)
79-80	Y (2ND DESIGN-1979)	14022161	LH	26 00	DOOR, U/B STOR COMPT (DK CLARET) (NOTE 1, 1, 1, 2)
79-80	Y (2ND DESIGN-1979)	14022162	RH	45 50	DOOR, U/B STOR COMPT (DK CLARET) (NOTE 1, 1, 1, 2)
81	Y	14029973	LH	26 00	DOOR, U/B STOR COMPT (MED DOESKIN- 641)
81	Y	14029974	RH	45 50	DOOR, U/B STOR COMPT (MED DOESKIN- 641)
81	Y	14029975	LH	26 00	DOOR, U/B STOR COMPT (MED RED-751)
81	Y	14029976	RH	45 50	DOOR, U/B STOR COMPT (MED RED-751)
81	Y	14029977	LH	26 00	DOOR, U/B STOR COMPT (MED CINNABAR-671)
81	Y	14029978	RH	45 50	DOOR, U/B STOR COMPT (MED CINNABAR-671)
81	Y	14044917	LH	26 00	DOOR, U/B STOR COMPT (SLATE)
81	Y	14044918	RH	26 00	DOOR, U/B STOR COMPT (SLATE)
81	Y	14044919	LH	26 00	DOOR, U/B STOR COMPT (CHARCOAL)
81	Y	14044920	RH	26 00	DOOR, U/B STOR COMPT (CHARCOAL)
81	Y	14044921	LH	26 00	DOOR, U/B STOR COMPT (DK RED)
81	Y	14044922	RH	26 00	DOOR, U/B STOR COMPT (DK RED)
82	Y07	14048315	LH	26 00	DOOR, U/B STOR COMPT (BEIGE MET)
82	Y07	14048316	RH	45 50	DOOR, U/B STOR COMPT (BEIGE MET)
82	Y87	14029973	LH	26 00	DOOR, U/B STOR COMPT (MED DOESKIN- 641)
82	Y87	14029974	RH	45 50	DOOR, U/B STOR COMPT (MED DOESKIN- 641)
82	Y87	14044917	LH	26 00	DOOR, U/B STOR COMPT (SLATE)
82	Y87	14044918	RH	26 00	DOOR, U/B STOR COMPT (SLATE)
82	Y87	14044919	LH	26 00	DOOR, U/B STOR COMPT (CHARCOAL)
82	Y87	14044920	RH	26 00	DOOR, U/B STOR COMPT (CHARCOAL)
82	Y87	14044921	LH	26 00	DOOR, U/B STOR COMPT (DK RED)
82	Y87	14044922	RH	26 00	DOOR, U/B STOR COMPT (DK RED)
82	Y87	14048311	LH	26 00	DOOR, U/B STOR COMPT (DK BLUE)
82	Y87	14048312	RH	45 50	DOOR, U/B STOR COMPT (DK BLUE)
82	Y87	14048313	LH	26 00	DOOR, U/B STOR COMPT (SILVER GREEN)
82	Y87	14048314	RH	45 50	DOOR, U/B STOR COMPT (SILVER GREEN)
70-77	Y	3930305	4	55	ESCUTCHEON, U/B STOR COMPT DR LK
78-79	Y (1ST DESIGN-1979)	472734	3	80	ESCUTCHEON, U/B STOR COMPT DR LK
79-82	Y	14022163	1	14 60	FRAME, U/B STOR COMPT (PAINT TO MATCH) (2 DR TYPE)
69-77	Y	333364	3	2 55	HANDLE, U/B STOR COMPT DR PULL (PAINT TO MATCH)
69-71	Y37	3958004	1	6 25	HANDLE, B/W STOR TRAY
77	Y	480914	3	2 55	HANDLE, U/B STOR COMPT DR PULL (BLUE)
78-82	Y	481148	1	1 70	HANDLE, LUG SHADE
68-79	Y (1ST DESIGN-1979)	3962614	2	2 95	HINGE, U/B STOR COMPT DR (NOTE 7... 1, 0)
68-79	Y (1ST DESIGN-1979)	3962615	1	2 80	HINGE, U/B STOR COMPT CTR DR (NOTE 7... 1, 0)
78-82	Y	481175	2	1 30	HOOK, LUG SHADE
82	Y07	14038229	1	70 25	MOLDING, RR HATCH WDO GARN
68-92	Y	472716	3	36	NUT, U/B STOR COMPT DR LK STKR
68-73	Y	3926327	AR	36	NUT, U/B STOR COMPT

12.981

BEZEL-BONDING STRIP-BRACE-BRACKET-BUMPER-BUSHING-
 CLIP-COMPARTMENT-CONSOLE-COVER-DOOR-ESCUTCHEON-
 FRAME-HANDLE-HINGE-HOOK-MOLDING-NUT-PANEL-
 PLATE-PLUG-REINFORCEMENT-RETAINER-RING-RIVET-
 SEAL-SHIELD-STRAP-STRIKER-STRIP-SUPPORT, Rear Compartment
 Floor (Can't)

64-65	Y	3877059	1	131.00	PANEL, BODY RR LWR FIL
65-67	Y W/ SI MT EXH	3863752	1	100.00	PANEL, BODY RR LWR FIL
66-67	Y (EXC SI MT EXH)	3874799	1	72.50	PANEL, LWR FIL
68-69	Y (EXC SI MT EXH)	3947974	1	113.00	PANEL, BODY RR LWR FIL (NOTE 1)
69	Y W/ SI MT EXH	3948133	1	83.00	PANEL, BODY RR LWR FIL
70-73	Y	3977870	1	91.75	PANEL, BODY RR LWR FIL
71-72	Y37	327668	1	157.00	PANEL, U/B CLOSING CTR LWR
71-75	Y67	342239	1	64.50	PANEL, U/B CLOSING CTR
73-75	Y37	327668	1	157.00	PANEL, U/B CLOSING LWR
74-75	Y67	336191	LH	12.95	PANEL, U/B CLOSING
76	Y	358349	1	20.80	PANEL, U/B FRT
76-77	Y	362945	LH	33.00	PANEL, U/B SI EXT
76-77	Y	362946	RH	35.00	PANEL, U/B SI EXT
76-77	Y	371439	1	525.00	PANEL, U/B RR (NOTE 3)
76-77	Y	458349	1	182.00	PANEL, U/B FRT
78-81	Y	461182	1	106.00	PANEL, PKG SHELF
78-79	Y	468135	1	195.00	PANEL, U/B FRT
78-81	Y	14004699	LH	37.25	PANEL, U/B SI EXT
78-82	Y	14004700	RH	37.25	PANEL, U/B SI EXT
78-82	Y	14045983	1	516.00	PANEL, U/B RR (NOTE 9)
79-82	Y W/A T	14038269	1	197.00	PANEL, U/B FRT
79-81	Y W/M T	14038269	1	197.00	PANEL, U/B FRT (NOTE 8)
82	Y	14016189	1	37.25	PANEL, U/B SI EXT
63-77	Y	3828546	1	1.00	PLATE, ST MT U/B RR ANCHOR (11.375)
68-79	Y	472716	3	36	PLATE, U/B STOR COMPT DR LK STRIKER
68-75	Y	3919678	1	1.35	PLATE, U/B STOR COMPT TAP
60-79	Y	4410574	AR	47	PLUG, RUBBER (1 IN)
68-82	Y	3948148	1	1.30	PLUG, U/B STOR COMPT DRAIN
74-75	Y	9812864	AR	1.10	PLUG, W/WA (1" DIA. HOLE)
68-75	Y	339170	1	4.15	REINFORCEMENT, U/B TUN RR CNSL FRT
68-74	Y	3908123	LH	4.50	REINFORCEMENT, ST MT U/B FRT
68-74	Y	3908124	RH	4.50	REINFORCEMENT, ST MT U/B FRT
68-76	Y	1918664	1	2.95	REINFORCEMENT, U/B TUN RR CNSL RR
68-72	Y37	1997245	1	9.20	REINFORCEMENT, B/W STOR TRAY
71-75	Y	336195	1	69.00	REINFORCEMENT, U/B CLOSING PNL CTR
75	Y	347925	LH	5.55	REINFORCEMENT, ST MT U/B FRT
75-81	Y	14011899	LH	44.75	REINFORCEMENT, DR SILL
75-82	Y	14011900	RH	43.75	REINFORCEMENT, DR SILL
76-82	Y	362967	2	7.80	REINFORCEMENT, ST MT U/B FRT
77-82	Y	379989	LH	1.10	REINFORCEMENT, U/B TUN CNSL FRT
77-82	Y	379970	RH	1.15	REINFORCEMENT, U/B TUN CNSL FRT
77-82	Y	14011816	1	3.65	REINFORCEMENT, U/B TUN CNSL RR
77-82	Y	14042289	1	3.60	REINFORCEMENT, U/B TUN CNSL TR PLT
78-82	Y	461150	1	3.60	RETAINER, LUG SHADE HDL
80-82	Y	14003786	2	35	RETAINER, U/B STOR COMPT DR
68-76	Y	3918667	1	4.60	RING, U/B TUN RR CNSL PARK BRK LVR TR
68-70	Y37	3947968	2	42	RIVET, U/B STOR COMPT CVA DR
68-78	Y	3918669	1	59	SEAL, U/B STOR COMPT
68-76	Y	3926239	AR	44	SHIELD, U/B STOR CTR COMPT LP
71-81	Y	323328	1	29.75	STRAP, RF PNL STOR (BLACK) (PAINT TO MATCH)
80-82	Y	3948438	2	2.70	STRAP, U/B STOR COMPT DR
68-82	Y	3945644	3	80	STRIKER, U/B STOR COMPT DR LK
71-73	Y37	3998897	1	4.00	STRIKER, B/W STOR TRAY
68-73	Y	3556837	LH	29.50	STRIP, RF PNL QTR
69-73	Y	3996838	RH	29.50	STRIP, RF PNL QTR
74-82	Y	14016071	LH	18.55	STRIP, RR QTR BOND
74-82	Y	14016072	RH	18.55	STRIP, RR QTR BOND
68-76	Y	387614	1	34.25	SUPPORT, U/B STOR COMPT

14.875 BOLT-BOOT-BUZZER-CABLE-CLIP-CONTAINER-COVER-GROMMET-GUIDE-HARNESS-HARNESS KIT-PLATE-PLUG-REINFORCEMENT-RETAINER-SPACER, Seat Belt

NOTE: FOR SEAT BELTS SEE CHARTS AT END OF GROUP 14.000.

63-68	Y	W/SHLDR HARN	3797486	4	1.20	BOLT, ST BELT TO FLOOR (7/16" X 7/8")
69-74	Y		3956042	2	1.20	BOLT, SHLDR HARN ANCHOR PLT REINF
70-77	Y		355344	2	2.30	BOLT, SHLDR HARN BOOT RETR
73-74	Y		3996889	2	.44	BOLT, ST LAP BELT MT PLT
74-77	Y		342221	2	2.20	BOLT, SHLDR HARN, SHLDR STRAP GUIDE
75-77	Y		355344	2	2.30	BOLT, ST LAP BELT MT PLT SHLDR STRAP GUIDE (1/2-13)
78-82	Y		1712155	4	2.20	BOLT, ST LAP BELT MT PLT
78-79	Y		1712156	AR	1.75	BOLT, FRT ST BELT
78-82	Y		20227973	2	.84	BOLT, SHLDR HARN RETR
80-81	Y		1712156	AR	1.75	BOLT, CTR SEAT BELT
74-78	Y		345193	2	4.20	BOOT, LAP BELT AND SHLDR HARN BUCKLE (BLACK)
74-78	Y		345194	2	2.00	BOOT, LAP BELT AND SHLDR HARN UPR (BLACK)
72	Y		6282863	1	6.50	BUZZER, ST BELT WARNING (2.195)
73	Y		6270699	1	6.50	BUZZER, ST BELT WARNING (2.195)
74	Y		6258257	1	7.30	BUZZER, ST BELT WARNING (9.785)
70-74	Y		3977713	1	11.60	CABLE, ST BELT INR
75-78	Y		359601	1	12.50	CABLE, ST BELT INR
74-77	Y		9729050	2	.35	CLIP, FRT ST SHLDR STRAP (PLASTIC)
67-69	Y	W/DLX SHLDR HARN	3983187	1	2.95	CONTAINER, SHLDR HARN BUCKLE (PAINT TO MATCH)
72-73	Y		333533	LH	5.95	COVER, ST BELT RETRACTOR
74	Y		339199	LH	5.95	COVER, ST BELT RETRACTOR
74	Y		339200	RH	5.95	COVER, ST BELT RETRACTOR
75	Y		346451	LH	5.95	COVER, ST BELT RETRACTOR
76-77	Y		362973	LH	6.05	COVER, ST BELT RETRACTOR
76-77	Y		362974	RH	6.05	COVER, ST BELT RETRACTOR
78-82	Y		472704	2	.49	GROMMET, SHLDR BELT FEED THRU (PAINT TO MATCH)
72-74	Y		3998874	2	5.10	GUIDE, ST BELT
75-77	Y		345455	2	4.80	GUIDE, ST BELT
79	Y		14008867	LH	86.25	HARNESS, LAP & SHLDR BELT (DK GREEN-491)
79	Y		14008868	RH	86.25	HARNESS, LAP & SHLDR BELT (DK GREEN-491)
81	Y		14002451	LH	85.25	HARNESS, LAP BELT & SHLDR (SMK GRAY-151)
81	Y		14002452	RH	71.75	HARNESS, LAP BELT & SHLDR (SMK GRAY-151)
78-80	Y		475443	LH	71.50	HARNESS KIT, LAP & SHLDR BELT (LATCH END) (MED. RED-721)
78-80	Y		475444	RH	71.50	HARNESS KIT, LAP & SHLDR BELT (LATCH END) (MED. RED-721)
78-80	Y		475447	LH	71.50	HARNESS KIT, LAP & SHLDR BELT (LATCH END) (OYSTER WHITE-121)
78-80	Y		475448	RH	71.50	HARNESS KIT, LAP & SHLDR BELT (LATCH END) (OYSTER WHITE-121)
78-80	Y		475451	LH	71.50	HARNESS KIT, LAP & SHLDR BELT (LATCH END) (DOESKIN-591)
78-80	Y		475452	RH	71.50	HARNESS KIT, LAP & SHLDR BELT (LATCH END) (DOESKIN-591)
78-81	Y		14029861	LH	86.25	HARNESS KIT, LAP & SHLDR BELT (LATCH END) (BLACK-191)
78-80	Y		14029862	RH	86.25	HARNESS KIT, LAP & SHLDR BELT (LATCH END) (BLACK-191)
78-81	Y		14029863	LH	86.25	HARNESS KIT, LAP & SHLDR BELT (LATCH END) (MID BLUE-291)
78-81	Y		14029864	RH	86.25	HARNESS KIT, LAP & SHLDR BELT (LATCH END) (MID BLUE-291)
81	Y		14029862	RH	86.25	HARNESS KIT, LAP & SHLDR BELT (LATCH END) (BLACK-191)
81	Y		14029865	LH	86.25	HARNESS KIT, LAP & SHLDR BELT (SILVER MET-151)
81	Y		14029866	RH	86.25	HARNESS KIT, LAP & SHLDR BELT (SILVER MET-151)
81	Y		14029869	LH	86.25	HARNESS KIT, LAP & SHLDR BELT (MED. DOESKIN-641)
81	Y		14029870	RH	86.25	HARNESS KIT, LAP & SHLDR BELT (MED. DOESKIN-641)
81	Y		14029871	LH	86.25	HARNESS KIT, LAP & SHLDR BELT (MED. RED-751)

14.875

**BOLT-BOOT-BUZZER-CABLE-CLIP-CONTAINER-COVER-
GROMMET-GUIDE-HARNESS-HARNESS KIT-PLATE-PLUG-
REINFORCEMENT-RETAINER-SPACER, Seat Belt (Con't)**

81	Y	14029872	RH	86.25	HARNESS KIT, LAP & SHLDR BELT (MED RED-751)
81	Y	14029873	LH	86.25	HARNESS KIT, LAP & SHLDR BELT (MED CINNABAR-671)
81	Y	14029874	RH	86.25	HARNESS KIT, LAP & SHLDR BELT (MED CINNABAR-671)
82	Y87	14029869	LH	86.25	HARNESS KIT, LAP & SHLDR BELT (MED DOESKIN-641)
75-76	Y	345449	2	.48	PLATE, ST BELT ANCHOR RETR CVR
75	Y	345454	PH	5.65	PLATE, ST BELT ANCHOR
75-76	Y	365391	1	25.75	PLATE, ST BELT MT INR
78-82	Y	376659	4	2.30	PLATE, ST BELT RETR ANCHOR
89-72	Y67	3930651	2	.76	PLUG, SHLDR HARN ANCHOR PLT REINF (16 7 14)
75-76	Y	1731168	2	.39	PLUG, ST BELT SLEV (PRIME AND PAINT TO MATCH)
88-69	Y	3952487	LH	2.45	REINFORCEMENT, ST BELT
70-74	Y	3966707	LH	2.45	REINFORCEMENT, SHLDR HARN ANCHOR PLT
75-77	Y	1688380	2	.39	RETAINER, FRT ST SHLDR STRAP FRT CLIP
72-75	Y	342222	2	1.30	SPACER, ST BELT RETR
78-77	Y	388661	2	1.35	SPACER, ST LAP BELT RETR
78-79	Y	1705723	2	.35	SPACER, ST BELT ANCHOR TO FLR

Microfiche on CD-ROM End-User License Agreement

NOTICE TO USER: THIS IS A CONTRACT. BY PURCHASING AND USING THE MICROFICHE ON CD-ROM, YOU ACCEPT ALL THE TERMS AND CONDITIONS OF THIS AGREEMENT.

This End User License Agreement accompanies the Microfiche on CD-ROM product and related explanatory materials. Please read this Agreement carefully. By purchasing and using the Microfiche on CD-ROM, you are implying that you have carefully read, agree with, and will adhere to the conditions set forth in this agreement. If you do wish to accept the terms of this end-user agreement, please do not use the Microfiche on CD-ROM. You will not be permitted to use the Microfiche on CD-ROM without consenting to this end-user agreement.

Upon your acceptance of this Agreement, Samuel A. Namen grants to you a nonexclusive license to use the Microfiche on CD-ROM, provided that you agree to the following:

1. Use of the Software.

You may install the PDF file on a hard disk or other storage device for personal use only. Each Microfiche on CD-ROM comes with a single user license. Under no circumstances should the contents of the Microfiche on CD-ROM be placed on a file server for the purposes of distributing or allowing access to the material over a network.

2. Copyright and Trademark Rights.

The Microfiche on CD-ROM is owned by Samuel A. Namen, and its structure and organization are considered the intellectual property of Samuel A. Namen. The Microfiche on CD-ROM also is protected by United States Copyright Law and International Treaty provisions. This Agreement does not grant you any intellectual property or resale rights to the Microfiche on CD-ROM.

3. Restrictions.

You agree not to modify, adapt, translate, reverse engineer, decompile, or disassemble the PDF file on the Microfiche on CD-ROM. The Microfiche on CD-ROM is licensed and distributed by Samuel A. Namen for single user utilization of its contents only. Licensed users will be permitted to use the contents of the Microfiche on CD-ROM for multimedia presentations to an audience from a single machine using a large display or projection device, but the Microfiche on CD-ROM may not otherwise be distributed, sold to or made accessible to multiple users.

4. No Warranty.

The Software is being delivered to you AS IS, and Samuel A. Namen makes no warranty as to its use or performance. SAMUEL A. NAMEN DOES NOT AND CANNOT WARRANT THE PERFORMANCE OR RESULTS YOU MAY OBTAIN BY USING THE MICROFICHE ON CD-

ROM OR DOCUMENTATION, NOR MAKES ANY WARRANTIES, EXPRESS OR IMPLIED, AS TO NONINFRINGEMENT OF THIRD-PARTY RIGHTS, MERCHANTABILITY, OR FITNESS FOR ANY PARTICULAR PURPOSE. IN NO EVENT WILL SAMUEL A. NAMEN BE LIABLE TO YOU FOR ANY CONSEQUENTIAL, INCIDENTAL, OR SPECIAL DAMAGES FOR ANY REASON.

5. Governing Law and General Provisions.

This Agreement will be governed by the laws of the State of Ohio, USA, excluding the application of its conflicts of law rules. This Agreement will not be governed by the United Nations Convention on Contracts for the International Sale of Goods, the application of which is expressly excluded. If any part of this Agreement is found void and unenforceable, it will not affect the validity of the balance of the Agreement, which shall remain valid and enforceable according to its terms. You agree that the Microfiche on CD-ROM will not be shipped, transferred, or exported into any country or used in any manner prohibited by the United States Export Administration Act or any other export laws, restrictions, or regulations. This Agreement shall automatically terminate upon failure by you to comply with its terms. This Agreement may only be modified in writing signed by an authorized officer for Samuel A. Namen.

Samuel A. Namen
Canton, Ohio 44710
USA

YOUR ACCEPTANCE OF THE FOREGOING AGREEMENT IS
IMPLIED UPON PURCHASING AND USING THE MICROFICHE ON CD-ROM.

VIOLATIONS OF THESE CONDITIONS WILL BE PROSECUTED IN EVERY
CASE.

© 2000,2001 Samuel A. Namen
All rights reserved.