

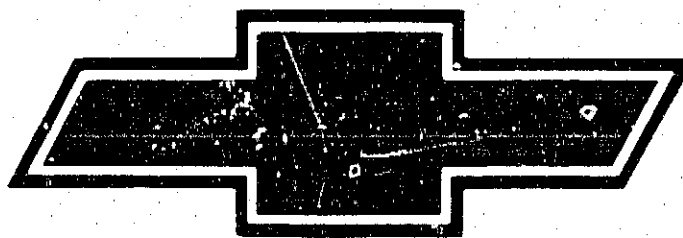
MICROFICHE INDEX

GROUP 3.000

FICHE 2 OF 6

GROUP DESCRIPTION	STARTING GRID LOCATION	
	PARTS	ILLUSTRATIONS
- INTRODUCTION	A-6	I-2
- GENERAL INFORMATION	A-2	I-2
- ALPHABETICAL INDEX	C-11	N.A.
- INDEX FOR ADDITIONAL INFORMATION	A-5	N.A.
3.000 FUEL - EXHAUST - CARBURETION	E-2	I-6
- CARBURETOR CHARTS	F-20	N.A.
- OUT OF FICHE CALLS	N.A.	N-9

A-1



CHEVROLET

1953-1982 CORVETTE

PARTS AND ILLUSTRATION CATALOG

IMPORTANT

Passenger vehicles for 1976 thru 1982 contain many parts dimensioned in the metric system. These parts are very close in dimension to familiar customary measurements in the inch system. It is important that during any vehicle maintenance procedure, replacement fasteners have the same measurements as those removed, whether metric or customary. Mismatched or incorrect fasteners can result in vehicle damage or malfunction, or possibly personal injury.

Fastener sizes denoted on illustrations may not reflect metric dimensions. However, since the same vehicle may be built with metric or customary fasteners, care should be exercised in selecting replacement part equivalent to the original fasteners in dimensions, strength and pitch of thread. Both metric and customary fasteners required for replacement are listed in the Warehousing and Distribution Division Standard Parts Catalog.

A special Warehousing and Distribution Division label, saying "Metric Fasteners Required" in red letters, will be used to identify service parts which require metric fasteners but replace parts which originally used inch fasteners. This label will enable dealers and over-the-counter customers to quickly recognize parts which have changed to metric fasteners.

DECEMBER, 1983

WAREHOUSING AND DISTRIBUTION
DIVISION OF GENERAL MOTORS CORPORATION
FLINT, MICHIGAN 48554

CHEVROLET — 14A. PRINTED IN U.S.A.

CHEVROLET PARTS PUBLICATIONS

The Chevrolet Parts Catalog System is divided into the following publications.

NO.	TITLE
10	1976-1981 Chevrolet Catalog except Corvette
10A	1976-1981 Chevrolet Illustration Catalog except Corvette
11	Chevrolet Parts Catalog Model thru 1975 included: 1965-1975 Passenger Car 1962-1975 Chevy II and Nova 1964-1975 Chevelle 1967-1975 Camaro 1971-1975 Vega and Monza
11A	Chevrolet Models thru 1975 Parts Illustration Catalog
12	1946-1964 Chevrolet Passenger Car Parts Catalog
14A	1953-1982 Chevrolet Corvette Parts and Illustration Catalog
14Y	1984 Chevrolet Corvette Parts and Illustration Catalog
15	1960-1969 Chevrolet Corvair Parts Catalog
16	Chevrolet Dealer Parts and Accessories Price Schedule
17W	1982-84 Chevrolet (B-G-T-X Body) (Including Illustrations)
17A	1982-84 Chevrolet (A Body) (Including Illustrations)
17J	1982-84 Chevrolet (J Body) (Including Illustrations)
17F	1982-84 Chevrolet (F Body) (Including Illustrations)
55A	Chevrolet LUV Truck (Series 1 thru 12)
72 TL	1946-1972 Chevrolet Series 10 thru 35 Truck Parts & Accessories Catalog
72 TM	1946-1972 Chevrolet Series 40-50-60 Truck Parts & Accessories Catalog
51A	1973-1978 Chevrolet Series 10 thru 35 Truck Parts & Accessories Catalog
78 TL-GR	1973-1978 Chevrolet Series 10 thru 35 Truck Parts Illustration Catalog
52A	1979-1984 Chevrolet Series 10 thru 30 Parts and Illustration Catalog (Except S Truck)
52S	1982-84 Chevrolet LT Truck (S Series) (Including Illustrations)
58A	1978-1984 Caballero Parts and Illustration Catalog
78 TM	1973-1978 Chevrolet Series 50-60-65 Truck Parts & Accessories Catalog
78 TM-GR	1973-1978 Chevrolet Series 50-60-65 Truck Parts Illustration Catalog
72 TH-70, 80	Chevrolet Heavy Duty Truck Parts Catalog for: 1966-1972 2½ Ton Series 70000 Trucks 1966-1973 3 Ton Series 80000 Trucks
72 TH-90	1970-1972 3½ Ton Series 90000 Trucks
78 TH	1973-1978 Series 70-80-90 Truck Parts & Accessories Catalog
78 TH-GR	1973-1978 Series 70-80-90 Truck Parts Illustration Catalog
82 TM-SC	1979-82 Series 50-60-70 Conv. Truck Parts Catalog
82 TM-PS	1979-82 Series 40 P Model Chassis Truck Parts Catalog
82 TM-SB	1979-82 Series 60 School Bus Chassis Parts Catalog
80 TM-TILT	1979-80 Series 60-70 Tilt Parts Catalog
82 TM-GR	1979-82 Series 50-60-70 Truck Illustration Catalog
82 TH-A & T	1979-82 Astro-Titan Truck Parts Catalog
82 TH-B & B	1979-82 Brigadier-Bruin Truck Parts Catalog
82 TH-BIG	1979-82 General & Bison Truck Parts Catalog
82 TH-GR	1979-82 Series 80-90 Illustration Catalog
M-SB	1983 School Bus Models (Not Illustrations)
M-SB-G	1983 School Bus Graphic Illustrations
M-SC	1983 Steel Conventional Models (Not Illustrations)
M-SC-G	1983 Steel Conventional Graphic Illustrations
H-AST	1983 Astro Models (Not Illustrations)
H-AST-G	1983 Astro Graphic Illustrations
H-BRG	1983 Brigadier Models (Not Illustrations)
H-BRG-G	1983 Brigadier Graphic Illustrations
H-GEN	1983 General Models (Not Illustrations)
H-GEN-G	1983 General Graphic Illustrations
89	English & Metric Standard Parts Service and Maintenance Products

CONTENTS

	GROUP
INTRODUCTION	—
GENERAL INFORMATION	—
ALPHABETICAL INDEX	—
ENGINE -- CLUTCH0.000
COOLING — GRILLE — OIL SYSTEM1.000
CHASSIS WIRING — LAMPS2.000
FUEL — EXHAUST — CARBURETION3.000
TRANSMISSION — BRAKES4.000
BRAKES — REAR AXLE — PROPELLER SHAFT — WHEELS5.000
FRONT SUSPENSION — STEERING6.000
FRAME — SPRINGS — SHOCKS — BUMPERS7.000
FRONT END SHEET METAL — HEATER8.000
BODY MOUNTING — AIR CONDITIONING — INSTRUMENT CLUSTER9.000
DOORS — REGULATORS — WINDSHIELD — WIPER — WASHER10.000
REAR GLASS — SEAT PARTS — ADJUSTER11.000
BODY MOLDINGS — SHEET METAL12.000
CONVERTIBLE TOP TRIM — BODY WIRING13.000
CONVERTIBLE TOP HARDWARE — INTERIOR TRIM — SEAT BELTS14.000
REAR SEAT TRIM — CARPETS — YARDAGE15.000

INDEX FOR ADDITIONAL CORVETTE INFORMATION

The following identification or usage charts are located in the catalog as listed below: GRID

Body Number Plate	Page 8	1,2,3,4,5,6-A9
Model Identification	Page 9	1,2,3,4,5,6-A10
Engine Identification	Page 10	1,2,3,4,5,6-A11
V.I.N.	Page 17	1,2,3,4,5,6-A18
Axle Identification	Page 30	1,2,3,4,5,6-B4
Trim Combinations	Page 33	1,2,3,4,5,6-B7
Paint Color Charts	Page 35	1,2,3,4,5,6-B9
GM Production Options	Page 41	1,2,3,4,5,6-B15
Abbreviations	Page 64	1,2,3,4,5,6-N.A.
Alphabetical Index	Page 68	1,2,3,4,5,6-C11
Accessories	Page A-1	1-D9
Radiator Codes (follows Group 1.855)	Page 1-1C	1-F8
V-Belt Chart	Page 1-5C	1-F17
Spark Plug Wires	(follows Group 2.906)	1-I 2
Exhaust Charts	Page 3-1E	2-H2
E.G.R. Valve Conversion Chart	Page 3-1V	2-F13
Carburetor and Parts Usage	Page 3-1C	2-F20
Fuel Tank Meters	(follows Carburetor Chart)	2-G26
Speedometer Gear Usage	Page 4-1C	3-G8
Spring Usage	Page 7-1C	4-F14
Air Conditioning Fittings	Page 9-1C	5-E6
Seat Belts	Page 14-1C	6-F21
Wire Harness Tag # Chart (follows Seat Belts)	Page T-1	6-G9

INTRODUCTION

GM3

This Parts Catalog has been compiled for the purpose of locating, identifying, and ordering replacement parts. All data and specifications contained in this publication are based on the latest product information available at the time of printing. Warehousing and Distribution Division reserves the right to make changes at any time without notice in data, price, specifications, materials, material, and model. The "List Prices" shown are suggested prices only for sales to consumers.

Replacement parts are listed in this catalog under 16 major groups, as shown on the content page. Individual parts are assigned a Prime Group number, the first numeral of the group identifies the main unit it is affiliated with, and following the decimal is the Sub-Group number under which all parts of the same name and function are listed. For example, Group 0.519 Camshaft. The "0" denotes that it is an Engine Part, "519" the sub-group where all Engine Camshafts are listed. Related parts may also be found in the same group. Within each group, parts are listed by model year, vehicle series, part number, number used per vehicle or R.H.-L.H. designation, suggested list price, part name and description.

Parts may be used in different locations on the car requiring the listing of the part number in more than one group. When this "Cross Referencing" occurs, the prime group is shown in brackets i.e. (1.850) in the description column.

To locate a listing for a part, determine the model vehicle and refer to the group number identifying it, which may be determined by using any of the following methods.

- A. When the name of the part is known, consult the ALPHABETICAL INDEX, which lists parts by noun name and Group Number where part is listed.
- B. Reference may be made to the ILLUSTRATION CATALOG, where Group Numbers, noun names or part numbers are shown.
- C. When a part number is known and model application or a similar part is required, consult the DEALER PRICE SCHEDULE for the Group Number to locate the part in the Parts Catalog.

Parts having application or used with optional equipment are identified by Option Number or abbreviation of option. Familiarity with Option Numbers will assist in determining correct part required.

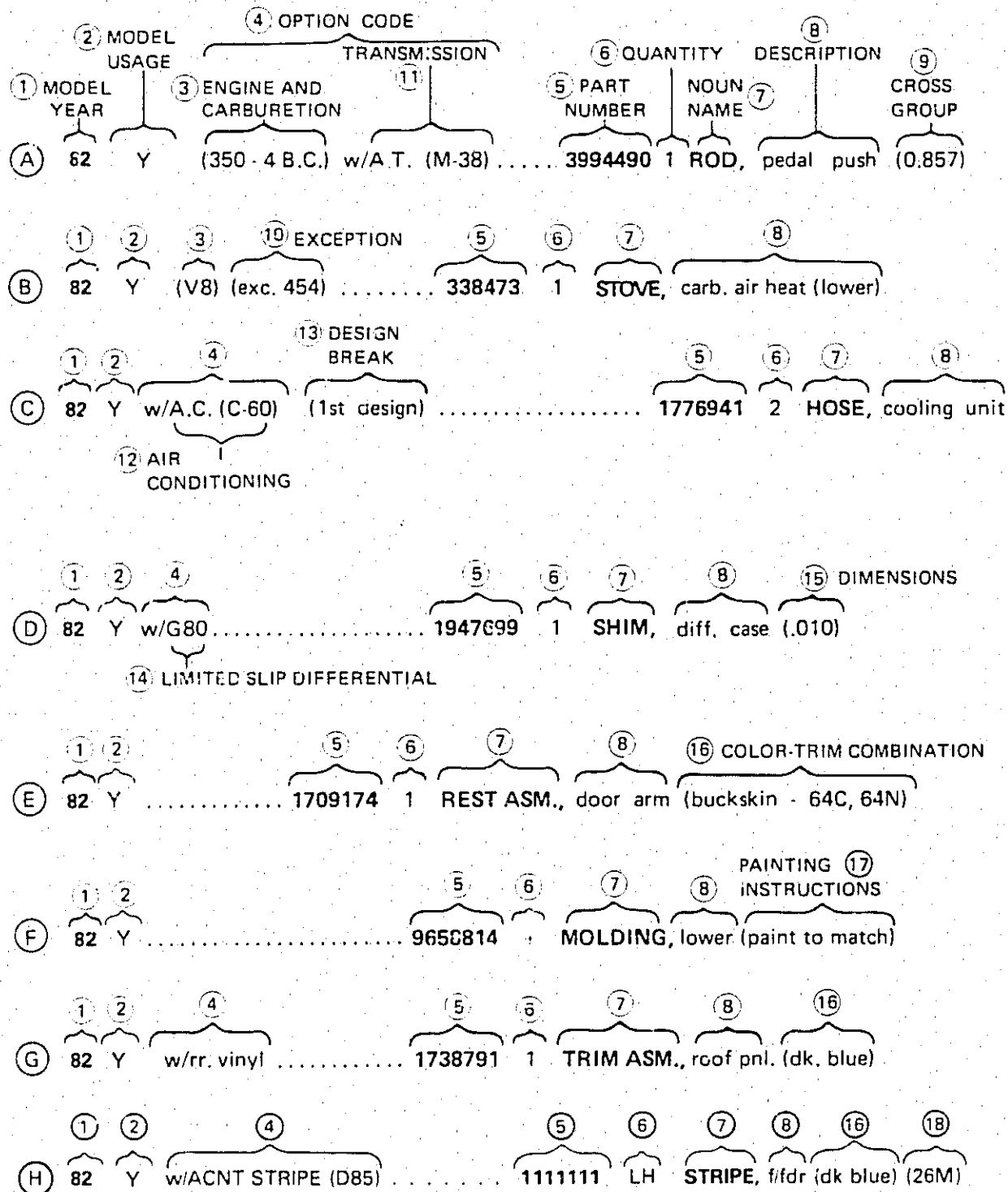
Complete identification for models and options listed in this catalog will be found preceding the alphabetical index.

Service part numbers are assigned to individual parts that make up an assembly used in the production of models. Certain items may not be listed, such as short tubing parts or fuel lines that can be made up by dealers from bulk material or attaching parts may be included in packages with the major assembly and not listed separately.

Right Hand and Left Hand parts are so designated from the driver's position when seated in the car.

CORVETTE CATALOG EXAMPLES

WHEN INTERPRETING MODEL USAGE, PLEASE REFER TO MODEL DESIGNATION CHARTS FOR SPECIFIC MODEL INTERPRETATION.

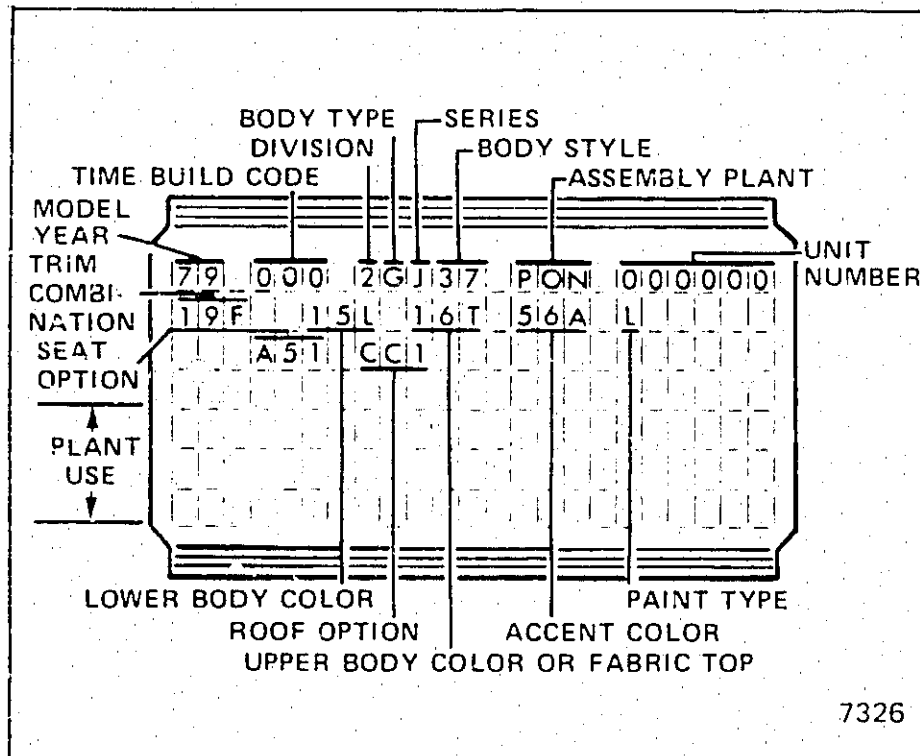


CORVETTE CATALOG
EXPLANATION OF TERMINOLOGY AS SHOWN ON CHART A.

- ① MODEL YEAR - SALES YEAR OF VEHICLE.
- ② MODEL USAGE - IN ORDER TO DETERMINE CORRECT MODEL USAGE USE THE ATTACHED MODEL DESIGNATION CHART. WHEN "ALL" APPEARS THIS INCLUDES ALL MODELS (A, B, F, H, T, X).
- ③ ENGINE AND CARBURETION - REFERENCE TO ENGINES WILL BE SHOWN IN CUBIC INCH DISPLACEMENT. IF REFERENCE HAS TO BE MADE TO SPECIFIC CARBURETION THIS WILL BE SHOWN IN PARENTHESIS WITH THE ENGINE DISPLACEMENT (SEE EXAMPLE A).
- ④ OPTION CODE - INDICATES ADDITIONAL USAGE OTHER THAN PRODUCTION STANDARD EQUIPMENT. IN MOST INSTANCES THE OPTION WILL BE SPELLED OUT (SEE EXAMPLE G). HOWEVER, THE OPTION CODES WILL BE USED FOR ENGINES, TRANSMISSIONS, AIR CONDITIONING, LIMITED SLIP DIFFERENTIAL AND NOX EMISSION SYSTEMS.
- ⑤ PART NUMBER - IDENTIFIES THE NUMBER ASSIGNED TO EACH PART.
- ⑥ QUANTITY - QUANTITY OF PARTS REQUIRED PER VEHICLE (AR MEANS AS REQUIRED).
- ⑦ NOUN NAME - ALL NOUN NAMES WILL BE SPELLED OUT AGAINST EVERY LINE OF MODEL APPLICATION.
- ⑧ DESCRIPTION - INCLUDES ALL ADDITIONAL DESCRIPTIVE INFORMATION NECESSARY TO DESCRIBE THE LOCATION OF THE PART ON THE VEHICLE.
- ⑨ CROSS GROUP - A CROSS GROUP IS SHOWN WHEN A PART IS LISTED IN A SECONDARY GROUP (SEE EXAMPLE A).
- ⑩ EXCEPTION - WILL BE USED ONLY WHEN MODELS OR OPTIONS ARE EXCLUDED (SEE EXAMPLE B).
- ⑪ TRANSMISSION - THE TRANSMISSION ABBREVIATION M.T. (MANUAL TRANS.) OR A.T. (AUTOMATIC TRANS.) WILL BE USED IN ALL INSTANCES WHERE THE PARTS APPLY TO ALL TYPES OF TRANSMISSIONS. WHEN THE MODEL APPLICATION MUST BE SPECIFIC TO A PARTICULAR TRANSMISSION, M.T. OR A.T. WILL BE USED ALONG WITH THE OPTION CODE (SEE EXAMPLE A).
- ⑫ AIR CONDITIONING - THE AIR CONDITIONING ABBREVIATION - A.C. WILL BE USED IN ALL INSTANCES WHERE THE PARTS APPLY TO ALL TYPES OF INSTALLATIONS. WHEN THE MODEL APPLICATION MUST BE SPECIFIC TO A PARTICULAR AIR CONDITIONING INSTALLATION, A.C. WILL BE USED ALONG WITH THE OPTION CODE (SEE EXAMPLE C).
- ⑬ DESIGN BREAK - WHEN PARTS ARE CATALOGED WITH A DESIGN CHANGE, THE DIFFERENCE WILL BE SHOWN EITHER AFTER THE OPTION COLUMN OR BY A NOTE (SEE EXAMPLE C).
- ⑭ LIMITED SLIP DIFFERENTIAL - THE LIMITED SLIP OPTION WILL ALWAYS BE WRITTEN (G-80) (SEE EXAMPLE D).
- ⑮ DIMENSIONS - ALL DIMENSIONS WILL BE SHOWN IN THE DESCRIPTION COLUMN. BOTH METRIC AND S.A.E. METHODS WILL BE USED WHERE APPLICABLE (SEE EXAMPLE D).
- ⑯ COLOR AND TRIM COMBINATIONS - COLOR AND TRIM COMBINATIONS WILL BE SHOWN TOGETHER IN THE SAME PARENTHESIS IN THE DESCRIPTION COLUMN (SEE EXAMPLE E).
- ⑰ PAINTING INSTRUCTIONS - THE PHRASE (PAINT TO MATCH) WILL BE SHOWN WHENEVER A PART HAS TO BE PAINTED BY THE DEALER (SEE EXAMPLE F).
- ⑱ STRIPE TRIM COMBINATIONS - "M, U, L" TRIM COMBINATIONS ON STRIPES WILL DESIGNATE THE BODY TRIM CODE WITH WHICH THE STRIPE IS USED. "A" IN THE TRIM CODE DESIGNATES ACCENT COLOR.

BODY NUMBER PLATE

THE BODY NUMBER PLATE IDENTIFIES THE MODEL YEAR, CAR DIVISION, SERIES, STYLE, BODY ASSEMBLY PLANT, BODY NUMBER, TRIM COMBINATION, MODULAR SEAT CODE, PAINT CODE AND BUILD DATE CODE.



MODEL SERIES IDENTIFICATION

Year	Series	Wheelbase	Vehicle
1953-1957	2900	102	CORVETTE
1958-1962	800	102	CORVETTE
1963-1964	837	98	CORVETTE (SPORT COUPE)
1963-1964	867	98	CORVETTE (CONVERTIBLE)
1965-1972	19437	98	CORVETTE (SPORT COUPE)
1965-1972	19467	98	CORVETTE (CONVERTIBLE)
1973-1975	1YZ67	98	CORVETTE (CONVERTIBLE)
1973-1977	1YZ37	98	CORVETTE (SPORT COUPE)
1978-1980	1YZ87	98	CORVETTE (SPORT COUPE)
1981	1YY87	98	CORVETTE (SPORT COUPE)
1982	1YY07	98	CORVETTE (FASTBACK HATCH) COLLECTORS EDITION
1982	1YY87	98	CORVETTE (SPORT COUPE)

CORVETTE ENGINE SERIES NUMBER AND SUFFIX CHART

1956

"265"—8 CYLINDER

Description	Type Designation	Description	Type Designation
3-Speed	GR	Powerglide	FG

EXAMPLE 1:

The 50th 2100 Series regular production "235" 6-cylinder engine built at Flint carries Serial No. 0001050 F56Z; if built at Tonawanda, 0001050 T56Z.

1957

3 Speed Transmission and 4BC	EF	Powerglide	FH
Dual 4BC	EH	3 Speed Transmission and Fuel Injection	EM
Dual 4BC and Hi Lift Cam	EG	3 Speed Transmission, Fuel Injection and Hi Lift Cam	EL
Powerglide and Dual 4BC	FG	Powerglide and Fuel Injection	FK

Note: The continuous engine serial number has been eliminated. The engine plants now stamp a source, production date and type on serial pad.

Note: Numbered in sequence commencing with 1001.

EXAMPLE: T101A

(T)	(1)	(01)	(A)
Tonawanda	Month	Day	Standard 6 cyl. "235"
Plant	January	First	Models 15-21-2400

1958

"283"—8 CYLINDER

3 Speed Transmission	CO	3 Speed Transmission, Dual 4BC and Hi Lift Cam	CU
3 Speed Transmission and Fuel Injection	CR	Powerglide	DG
3 Speed Transmission, Fuel Injection and Hi Lift Cam	CS	Powerglide and Fuel Injection	DH
3 Speed Transmission and Dual 4BC	CT	Powerglide and Dual 4BC	DJ

Note: The continuous engine serial number has been eliminated. Engines are now stamped with a source, production date and type on serial pad.

1959

"283"—8 CYLINDER

3 Speed Transmission	CO	3 Speed, Dual 4BC and Hi Lift Cam	CU
3 Speed and Fuel Injection	CR	Powerglide	DG
3 Speed, Fuel Injection and Hi Lift Cam	CS	Powerglide and Fuel Injection	DH
3 Speed and Dual 4BC	CT	Powerglide and Dual 4BC	DJ

Note: The continuous engine serial number has been eliminated. The engine plants now stamp a source, production date and type on serial pad.

1960

"283"—8 CYLINDER

Manual Trans.	CO	Dual 4BC and Hi Lift Cam	CU
Fuel Injection	CR	Powerglide	DG
Fuel Injection and Hi Lift Cam	CS	Powerglide and Dual 4BC	DJ
Dual 4BC	CT		

CORVETTE ENGINE SERIES NUMBER AND SUFFIX CHART (Cont.)

V7

1961

"283"—8 CYLINDER

Description	Type Designation	Description	Type Designation
Manual Trans.	CO	Dual 4BC and Hi Lift Cam	CU
Fuel Injection	CR	Powerglide	DG
Fuel Injection and Hi Lift Cam	CS	Powerglide and Dual 4BC	DJ
Dual 4BC	CT		

Note: CORVETTE engines have the last six digits of the vehicle serial number stamped on engine date boss. Engines are stamped with a source, production date and type on serial pad.

1962

"327"—8 CYLINDER

Dual 4 BC	QB	Manual Trans. and Fuel Injection	RF
Manual Trans.	RC	Powerglide	SC
Manual Trans. and High Performance	RD	Powerglide and High Performance	SD
Manual Trans. and Spec. High Performance	RE		

1963

"327"—8 CYLINDER

Manual Trans.	RC	Manual Trans. and Fuel Injection	RF
Manual Trans. and High Performance	RD	Powerglide	SC
Special High Performance	RE	Powerglide and High Performance	SD

1964

"327"—8 CYLINDER

Manual Trans.	RC	Manual Trans. and Transistor Ignition	RT
Manual Trans. and High Performance	RD	Manual Trans. Transistor Ignition and C.A.C.	RU
Special High Performance	RE	Fuel Injection and Transistor Ignition	RX
Manual Trans. and Fuel Injection	RF	Powerglide	SC
Manual Trans. and C.A.C.	RP	Powerglide and High Performance	SD
Manual Trans. High Performance and C.A.C.	RQ	Powerglide and C.A.C.	SK
Manual Trans., Special High Performance and C.A.C.	RR	Powerglide, High Performance and C.A.C.	SL

Note: Engines are stamped with a source, production date and type on serial pad.

1965

"327"—8 CYLINDER

Manual Transmission	HE	Powerglide	HO
High Performance	HF	Powerglide and High Performance	HP
Fuel Injection	HG	Powerglide and C.A.C.	HQ
Spec. High Performance	HH	Powerglide; High Performance and C.A.C.	HR
C.A.C.	HI	Spec. High Performance and Hyd. Lifters	HT
High Performance and C.A.C.	HJ	Spec. High Performance, Hyd. Lifters and C.A.C.	HU
Spec. High Performance and C.A.C.	HK	Spec. High Performance Hyd. Lifters and Transistor-Ignition	HV
Transistor Ignition	HL	Spec. High Performance Hyd. Lifters, Transistor Ignition and C.A.C.	HW
Transistor Ignition and C.A.C.	HM		
Fuel Injection and Transistor Ignition	HN		

CORVETTE ENGINE SERIES NUMBER AND SUFFIX CHART (Cont.)

V8

1965

"326"—8 CYLINDER

Description	Type Designation	Description	Type Designation
Spec. High Performance	IF		

Note: Engines are stamped with a source, production date and type on serial pad.

1966

"327"—8 CYLINDER

Manual Trans.	HE	Powerglide	HO
A.I.R.	HH	Special High Performance	HT
A.I.R. and Powerglide	HR	Power Steering	HP
Special High Performance and A.I.R.	HD	Special High Performance, C.A.C. and A.I.R.	KH

"427"—8 CYLINDER

Special High Performance (Hyd. Lifters)	IK	Special High Performance	IP
High Performance	IL	Powerglide	IQ
A.I.R.	IM	Powerglide and A.I.R.	IR

Type Designations for some engines will be followed by an R (Rochester) or H (Holly - Carter) to designate Carburetor requirements.

1967

"327"—8 CYLINDER

Manual Trans.	HE	Powerglide	HO
A.I.R.	HH	Special High Performance	HT
A.I.R. and Powerglide	HR	Power Steering, Special High Performance and C.A.C.	HP
Special High Performance and A.I.R.	HD	Special High Performance, C.A.C. and A.I.R.	KH

"427"—8 CYLINDER

4-Speed or Powerglide	IL	A.I.R. and Aluminum Heads	JH
Tri. Carb.	JC	Powerglide	IQ
Special High Performance and Tri. Carb.	JE	Powerglide and Tri. Carb.	JD
Heavy Duty	IT	A.I.R. and Powerglide	IR
Aluminum Heads	IU	A.I.R. Powerglide and Tri. Carb.	JG
A.I.R.	IM	A.I.R. Special High Performance and Tri. Carb.	JA
A.I.R. and Tri. Carb.	JF		

1968

"327"—8 CYLINDER

Manual Trans.	HE	Hyd. Steering and C.A.C.	HP
3-Speed Automatic Trans.	HO	Special High Performance	HT

CORVETTE ENGINE SERIES NUMBER AND SUFFIX CHART (Cont.)

V9

1968

"427"—8 CYLINDER

Description	Type Designation	Description	Type Designation
High Performance	IL	Special High Performance, Tri. Carb.	IR
High Performance and Tri. Carb.	IM	Heavy Duty	IT
High Performance, Tri. Carb. and 3-Speed Automatic Trans.	IO	Special High Performance, Tri. Carb. and Aluminum Heads	IU
3-Speed Automatic Trans.	IQ		

1969

"350"—8 CYLINDER

High Performance	HW	Manual Trans.	HY
High Performance C.A.C.	HX	3-Speed Automatic Trans. T.H. 400	HZ

"427"—8 CYLINDER

High Performance 3-Speed Automatic Trans. T.H. 400	LL	Tri-Carb. Special High Performance Heavy Duty Clutch	LT
High Performance	LM	Aluminum Heads Heavy Duty Clutch	LU
Tri-Carb. High Performance 3-Speed Automatic Trans. T.H. 400	LN	Heavy Duty 3-Speed Automatic Trans. T.H. 400	LV
Heavy Duty	LO	Aluminum Heads 3-Speed Automatic Trans. T.H. 400	LW
Aluminum Heads	LP	Tri-Carb. Special High Performance 3-Speed Automatic Trans. T.H. 400	LX
Tri-Carb. High Performance	LQ		
Tri-Carb. Special High Performance	LR		

1970

"350"—8 CYLINDER

Manual Trans.	CTL	High Performance, Transistor Ignition, C.A.C.	CTO
3-Speed Automatic T.H. 400	CTM	Special High Performance	CTR
High Performance	CTN	Special High Performance, Transistor Ignition	CTU
High Performance, C.A.C.	CTO	Special High Performance, Transistor Ignition, 4-Speed	CTV
High Performance, Transistor Ignition	CTP		

"454"—8 CYLINDER

High Performance, 4-BBL, 3-Speed Automatic T.H. 400	CGW	4-BBL, Heavy Duty, 3-Speed Automatic T.H. 400	CZN
High Performance, 4-BBL	CZU	High Performance, 4-BBL, Transistor Ignition	CRI
4-BBL, Heavy Duty	CZI		

CORVETTE ENGINE SERIES NUMBER AND SUFFIX CHART (Cont.)

V10

1971

"350"—8 CYLINDER

Description	H.P.	Type Designation
4-Speed Trans.	270	CJL
T.H. 400	270	CGT
4-Speed Trans.	330	CGZ
T.H. 400	330	CJK
H.D. 4 Speed Trans.	330	CGY

"454" — 8 CYLINDER

T.H. 400	365	CPJ
4-Speed Trans.	365	CPH
4-Speed Trans.	425	CPW
T.H. 400	425	CPX

1972

"350" — 8 CYLINDER

Base-4-Speed	CKW	LT1-4 Speed	CKY
Base-4-Speed w/NB2	CDH	LT1 H.D. 4-Speed	CKZ
Base-T.H. 400	CKX	LT1-4 Speed w/A.I.R.	CRT
Base-T.H. 400 w/NB2	CDJ	LT1-T.H. 400 w/A.I.R.	CRS

454 - 8 CYLINDER

LS5-4-Speed	CPH	LS5 w/A.I.R.	CSR
LS5-T.H. 400	CPJ	LS5 w/A.I.R.	CSS

1973-74

350 CID

Manual Trans. (L48)	CKZ	T.H. 400 (L48) w/NB2	CLC
T.H. 400	CLA	Manual Trans. (L82) w/NB2 (1973)	CLS
Manual Trans. (L82)	CLR	T.H. 400 (L82)	CLD
Manual Trans. (L48) w/NB2	CLB	T.H. 400 (L82) w/NB2 (1973)	CLH

454 CID

T.H. 400 w/NB2	CWS	Manual Trans.	CWM
Manual Trans. w/NB2 (1973)	CWT	T.H. 400	CWR

1975

350 CID

M.T.	CHA	M.T. w/Sp. HiPer.	CHC
A.T. w/Fed.	CHB	A.T. w/Calif., Sp. HiPer.	CHR
A.T. w/Calif.	CHZ	A.T. w/Fed., Sp. HiPer.	CKC
4-Spd.	CRJ	4-Spd. (HiPer.)	CUT
T.H. 400	CRK	4-Spd.	CUA
4-Spd. (HiPer.)	CRL	4-Spd.	CUB
T.H. 400 (HiPer.)	CRM	4-Spd. (HiPer.)	CUD

CORVETTE ENGINE SERIES NUMBER AND SUFFIX CHART (Cont.)

V11

1976

350 CID

CLM CHC
 CLR CHR
 CLS CKC
 CKW
 CKX
 CLS

1977

350 CID

CKZ CID
 CLA CLF
 CLB
 CLC
 CHD
 CKD

1978

350L CID — L48 OPT.

VIN-L

Calif. CLR
 Alt. CLS
 A.T. w/Fed. CUT
 M.T. CHW
 CLM

350H CID — L82 OPT.

VIN-H

M.T. CMR
 A.T. CMS

1979

350-8 CID — L48 OPT.

VIN-8

M.T. ZAA
 A.T. w/Fed. ZAB
 Calif. ZAC
 Alt. ZAD

350-4 CID — L82 OPT.

VIN-4

M.T. ZBA
 A.T. ZBB

1980

305-H (LG4) A.T. ZCA
 350-8 (L48) M.T. ZAM
 350-8 (L48) A.T. ZAK
 350-6 (L82) M.T. ZBD
 350-6 (L82) A.T. ZBC

1981

350-6 (L81) M.T., Fed. ZDA
 350-6 (L81) A.T., Calif. ZDB
 350-6 (L81) M.T., Calif. ZDC
 350-6 (L81) A.T., Fed. ZDD

1982

350-8 (L83) w/A.T., Fed. ZBA
 350-8 (L83) w/A.T., Calif. ZBC
 350-8 (L83) w/Calif. ZFN

1978 TRANSMISSION IDENTIFICATION CODES

M20 — 4 SPD. MAN.

ZU S6

M21 — 4 SPD. MAN.

ZW

M38 — 3 SPD. AT.

5WB 5TL

1979 TRANSMISSION IDENTIFICATION CODES

M20 — 4 SPD. MAN.

UH
 (Warner)

M21 — 4SPD. MAN

UK
 (WARNER)

M38 — 3 SPD. A.T.

TB WB

CORVETTE ENGINE SERIES NUMBER AND SUFFIX CHART (Cont.)

1980 TRANSMISSION IDENTIFICATION CODES

M18 — 4 SPD. MAN. ZJ
M33 — 3 SPD. A.T. JC (BUICK)
MV4 — 3 SPD. A.T. TW (CHEV.)

1981 TRANSMISSION IDENTIFICATION CODE

M18-4 SPD. MAN. MX3 — 3 SPD. A.T.
CC 8JD

1982 TRANSMISSION IDENTIFICATION CODE

MD8-4 SPD. A.T.
YA

1976 General Motors Passenger Car Vehicle Identification Numbering (VIN) System

DIVISION/ MAKE	CARLINE/ SERIES	* BODY TYPE		ENGINE CODE	MODEL YEAR	PLANT CODE	PRODUCTION SEQUENCE NUMBER
1	Z	3	7	J	6	S	100.001
(1)	(2)	(3)	(4)	(5)	(6)	(7)	(8) THRU (13)

DIVISION CODE/MAKE
1 - Chevrolet
2 - Pontiac
3 - Oldsmobile
4 - Buick
5 - GMC Truck
6 - Cadillac
7 - GM of Canada
8 - GM Overseas

CAR LINE SERIES		
CHEVROLET (Code 1) B - Chevette C - Malibu, El Camino D - Malibu Classic, El Camino Classic E - Laguna S3 G - Malibu Classic Estate H - Monte Carlo S J - Chevette L - Impala M - Monza N - Caprice Q - Camaro R - Monza 2-Door S - Camaro LT V - Vega X - Nova Y - Nova Custom Z - Corvette PONTIAC (Code 2) C - Astro, Astro Safari D - LeMans, LeMans Safari F - LeMans Sport Coupe G - Grand LeMans, Grand LeMans Safari J - Grand Prix K - Grand Prix LJ L - Catalina, Catalina Safari M - Sunbird P - Grand Safari Bonneville R - Bonneville Brougham S - Firebird T - Firebird Esprit U - Firebird Formula W - Firebird Trans Am Y - Ventura Z - Ventura SJ	CADILLAC (Code 4) B - Fleetwood Brougham C - Calais D - DeVille F - Fleetwood L - Eldorado S - Seville Z - Commercial Chassis OLDSMOBILE (Code 3) B - Omega D - Starfire "SX" E - Omega Brougham G - Cutlass S H - Cutlass Supreme Cruiser J - Cutlass Supreme Vista Cruiser K - Cutlass Salon L - Delta 88 M - Cutlass Supreme Brougham N - Delta 88 Royale O - Custom Cruiser R - Custom Cruiser S - Omega F85 T - Starfire V - Ninety Eight Luxury X - Ninety Eight Regency Y - Toronado Custom Z - Toronado Brougham	BUICK (Code 4) B - Skylark C - Skylark SR D - Century E - Century Special H - Century Custom J - Regal K - Century Custom Wagon L - LeSabre P - LeSabre Custom R - Estate Wagon S - Skyhawk T - Skyhawk S V - Electra 225 W - Skylark "S" X - Electra Limited Z - Riviera

ENGINE CODES				
CODE	TYPE-CID	HP	CARB.	DV
L4-140		70	1B	1-2
L4-140		94	2B	1-2-3
C V6-231		105	2B	2-3-4
D L6-250		100	1B	1-2-3
E L4-97.6 (1.6 Litre)		60	1B	1
F V8-26C		110	2B	2-3-4
G V8-262		110	2B	1
H V8-350		140	2B	2-3-4
I L4-85 (1.4 Litre)		52	1B	1
J V8-350		155	4B	2-3-4
L V8-350		165	4B	1
V8-350		180	4B	1
M V8-350		160	2B	2
N V8-400		170	2B	2
O L4-122		110	EFI	1
P V8-350		165	4B	2
Q V8-305		140	2B	1
R V8-350		170	4B	3
V8-350		180	EFI	6
S V8-455		215	4B	3
V8-454		225	4B	1
V8-500		190	4B	6
V8-500		215	EFI	6
T L6-292		120	1B	1
V8-455		190	4B	3
U V8-400		175	4B	1
V V8-350		145	2B	1
W V8-455		200	4B	2
X V8-350		210	4B	1
Y V8-455		205	4B	4
Z V8-400		185	4B	2

*Body Type - See Model Chart

1977 General Motors Passenger Car Vehicle Identification Numbering (VIN) System

DIVISION/ MAKE	CARLINE/ SERIES	BODY TYPE		ENGINE CODE	MODEL YEAR	PLANT CODE	PRODUCTION SEQUENCE NUMBER
1	Z	3	7	R	7	S	100.001
1	2	3	4	5	6	7	8 THRU 13

DIVISION CODE/MAKE
1 - Chevrolet
2 - Pontiac
3 - Oldsmobile
4 - Buick
5 - GMC Truck
6 - Cadillac
7 - GM of Canada
8 - GM Overseas

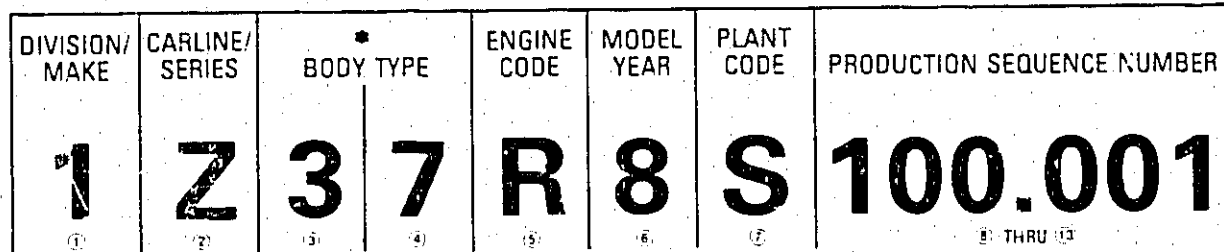
CAR LINE SERIES		
CHEVROLET (Code 1) B - Chevette C - Malibu, El Camino D - Malibu Classic E - El Camino Classic H - Monte Carlo J - Chevette "Scooter" K - Bel Air (Canada) L - Impala M - Monza Towne Coupe N - Caprice Classic O - Camaro R - Monza Hatchback Coupe S - Camaro LT V - Vega X - Nova Y - Nova Concours Z - Corvette PONTIAC (Code 2) C - Astre D - LeMans, LeMans Safari F - LeMans Sport G - Gran LeMans, Grand LeMans Safari H - Grand Prix SJ J - Grand Prix K - Grand Prix LJ L - Catalina, Catalina Safari M - Sunbird N - Bonneville - Grand Safari O - Bonneville Brougham S - Firebird T - Firebird Esprit U - Firebird Formula W - Firebird Trans Am Y - Ventura Z - Ventura SJ	CADILLAC (Code 6) B - Fleetwood Brougham D - DeVille F - Fleetwood Limo L - Eldorado S - Seville Z - Commercial Chassis OLDSMOBILE (Code 3) B - Omega D - Starfire "SK" E - Omega Brougham G - Cutlass 5 H - Vista Cruiser J - Cutlass Supreme K - Cutlass Salon L - Delta 88 M - Cutlass Supreme Brougham N - Delta 88 Royale O - Custom Cruiser Wagon S - Omega F85 T - Starfire V - Ninety Eight Luxury W - Toronado XSR X - Ninety Eight Regency Z - Toronado Brougham	BUICK (Code 4) B - Skylark C - Skylark SR D - Century E - Special F - LeSabre Sport Coupe H - Century Custom J - Regal K - Century Custom Wagon N - LeSabre P - LeSabre Custom R - Estate Wagon S - Skyhawk T - Skyhawk S U - Opel V - Electra 225 W - Skylark "S" X - Electra Limited Z - Riviera GM CANADA ONLY (Code 7) B - Acadian J - Acadian S K - Laurentian N - Pausienne GMC TRUCK & COACH (Code 5) C - Sprint D - Sprint Classic

ENGINE CODES				
CODE	DISP	NHP	CARB	DIV.
A	231	NA	2 4	
B	140	84	2 1,2,3	
B	111	80	2 4	
C	231	105	2 2,3,4	
D	250	110	1 1,5,7,2*	
N	LeSabre			
E	98	63	1 1,7	
F	260	110	2 3	
G	350	140	2 3	
H	350	140	2 4	
I	85	57	1 1,7	
J	350	155	4 4	
K	403	185	4 2,3,4	
L	350	170	4 1,2,3,4,5,7	
L	350	180	4 1	
P	350	170	4 2	
R	350	180	EF 6	
R	350	170	4 2,3,4	
S	425	180	4 6	
T	425	195	EFI 6	
U	305	145	2 1,2,3,4,5,7	
V	151	87	2 2	
X	350	210	4 1	
Y	301	135	2 2,4	
Z	400	180	4 2	

*CANADIAN PONTIAC

*Body Type - See Model Chart

1978 General Motors Passenger Car Vehicle Identification Numbering (VIN) System



DIVISION CODE/MAKE
1 - Chevrolet
2 - Pontiac
3 - Oldsmobile
4 - Buick
5 - GMC Truck
6 - Cadillac
7 - GM of Canada
8 - GM Overseas

CAR LINE SERIES	
<p>CHEVROLET (Code 1)</p> <ul style="list-style-type: none"> B - Chevette J - Chevette "Sconter" K - Bel Air (Canada) L - Impala M - Monza - Monza S N - Caprice Classic O - Camaro R - Monza 2 - 2 Monza Sport S - Camaro LT T - Malibu W - Malibu Classic El Camino X - Nova Y - Nova Custom Z - Corvette Monte Carlo <p>PONTIAC (Code 2)</p> <ul style="list-style-type: none"> D - LeMans E - Sunbird F - Grand LeMans G - Gran Am H - Grand Prix SJ J - Grand Prix K - Grand Prix LJ L - Catalina M - Sunbird Sport N - Bonneville - Grand Safari O - Bonneville Brougham S - Firebird T - Firebird Esprit U - Firebird Formula W - Firebird Trans Am Y - Phoenix Z - Phoenix LJ <p>CADILLAC (Code 8)</p> <ul style="list-style-type: none"> B - Fleetwood Brougham D - DeVille F - Fleetwood Limo L - Eldorado S - Seville Z - Commercial Chassis 	<p>OLDSMOBILE (Code 3)</p> <ul style="list-style-type: none"> B - Omega D - Starfire "SX" E - Omega Brougham G - Cutlass Salon H - Cutlass Cruiser J - Cutlass Salon Brougham K - Cutlass Calais L - Delta 88 M - Cutlass Supreme Brougham N - Delta 88 Royale Q - Custom Cruiser R - Cutlass Supreme T - Starfire V - Ninety Eight Luxury Y - Ninety Eight Regency Z - Toronado Brougham <p>BUICK (Code 4)</p> <ul style="list-style-type: none"> B - Skylark C - Skylark Custom E - Century Special F - LeSabre Sport Coupe G - Century Sport Coupe H - Century Custom J - Regal K - Regal Sport Coupe L - Century Limited M - Regal Limited N - LeSabre P - LeSabre Custom R - Estate Wagon S - Skyhawk T - Skyhawk S U - Opel V - Electra Park Ave W - Electra 225 X - Opel Sport Y - Skylark "S" Z - Electra Limited Opel Deluxe Riviera <p>GM CANADA ONLY (Code 7)</p> <ul style="list-style-type: none"> B - Acadian J - Acadian S K - Laurentian N - Parisienne <p>GMC TRUCK & COACH (Code 5)</p> <ul style="list-style-type: none"> W - Caballero

ENGINE CODES					
CODE	DISP	NHP	CARB	DIV USAGE	PROD. DIV.
A	231	105	2	1,2,3,4,5	4
B	350	180	EFI	6	6
B*	111		2		0
C (3.2L)	196		2	1,4	4
D	250	110	1	1,2,*	1
E (1.6L)	98	63	1	1,7	1
F	260	110	2	3	3
G (3.8L)	231		2	4	4
H	305		4	1,2,3,4	1
J (1.6L)	98		1	1,7	1
K	403	185	4	2,3,4	3
L	350	170	4	1,2,3,4,5,7	1,7
M (3.3L)	200		2	1,5,7*	1
N (5.7L)	350			DIESEL	3
R	350	170	4	2,3,4	3
S	425	180	4	6	6
T	425	195	EFI	6	6
U	305	145	2	1,2,3,4,5,7	1,7
V	151	87	2	1,2,3	2
W	301		4	2	2
X	250	155	4	2,4	4
Y	301	135	2	2,4	2
Z	400	180	4	2,4	2
1	151		2	1,2,3	2
2	231		2	4	4
3 (3.8L)	231		4	4	4
4	350		4	1	1

*Canadian
*Opel Isuzu

*Body Type - See Model Chart

1979 General Motors Passenger Car Vehicle Identification Numbering (VIN) System

DIVISION/ MAK [*]	CARLINE/ SERIES	BODY TYPE	ENGINE CODE	MODEL YEAR	PLANT CODE	PRODUCTION SEQUENCE NUMBER
1	Z	3	7	R	9	S 100.001

DIVISION CODE MAKE

- 1 Chevrolet
- 2 Pontiac
- 3 Oldsmobile
- 4 Buick
- 5 GMC Truck
- 6 Cadillac
- 7 GM Canada
- 8 GM Overseas

CAR LINE SERIES

CHEVROLET (Code 1)	OLDSMOBILE (Code 3)
B - Corvette	B - Omega
C - Corvette Sport	D - Starfire SX
L - Impala	E - Omega Brougham
M - Monza Monza S	G - Cutlass Salon
N - Caprice Classic	H - Cutlass Cruiser Brougham
J - Lumina	J - Cutlass Salon Brougham
R - Monza 2	K - Cutlass Lotus
S - Monza Sport	L - Delta 88
T - Berlina	M - Cutlass Supreme Brougham
W - Malibu Classic	N - Delta 88 Royale
U - Camaro	O - Custom Cruiser
X - Nova	R - Cutlass Supreme
Y - Nova Custom	T - Starfire
Z - Corvette	V - Ninety Eight Luxury
1 - Monte Carlo	X - Ninety Eight Regency
	Z - Toronado Brougham

PONTIAC (Code 2)	BUICK (Code 4)
D - LeMans	H - Skylark
E - Subbit	C - Skylark Custom
F - Grand LeMans	E - Century Special
G - Grand AM	F - LeSabre Custom Sport Coupe
H - Grand Prix SJ	G - Century Sport Coupe
J - Grand Prix	H - Century Custom
K - Grand Prix LJ	J - Regal
L - Catalina	K - Regal Sport Coupe
M - Subbit Sport	L - GMCO Series
N - Bonneville	- Buil Overseas
O - Grand Safari	M - GMCO Series
Q - Bonneville	- Buil Overseas
S - Firebird	N - LeSabre
T - Firebird Esprit	P - LeSabre Limited
U - Firebird Formula	R - Estate Wagon
W - Firebird	S - Skyhawk
X - Trans AM	T - Skyhawk
Y - Phoenix	U - Electra Park Ave
Z - Phoenix LJ	V - Electra 225

CADILLAC (Code 6)	GM CANADA ONLY (Code 7)
B - Fleetwood Brougham	R - Acadia
D - DeVille	J - Acadia S
F - Fleetwood Limousine	K - Laurentian
L - Eldorado	N - Pantheon
S - Seville	
Z - Commercial Chassis	

GMC TRUCK & COACH (Code 5)

W - Caballero

ENGINE CODES

CODE	DISP	NHP	CARB	DIV	USAGE	PROD DIV
A	271	105	2	1, 2, 3, 4		4
R	350	180	EFI	6		6
C (3.2L)	196		2	1, 4		4
D	250	110	1	1, 2, 7		1
E (1.6L)	98	63	1	1, 2		1
F	260	110	2	2, 3		1
G	301		2	1, 2, 3, 4		1
H	305		4	1, 2, 3, 4		1
J (4.4L)	267	185	2	1, 5		1
K	403	185	4	2, 3, 4		1
L	330	170	4	1, 2, 3, 4		1
M (3.3L)	200		2	1, 2		1
N (5.7L)	350		DIESEL	3, 6		3
O (1.6L)				2		1
P (4.3L)	260		DIESEL	3		3
R	350	170	4	2, 3, 4		3
S	425	180	4	6		6
T	425	195	EFI	6		6
V	151	87	2	1, 2, 3		2
W	301		4	2, 4		2
X	250	155	4	2, 4		4
Y	301	135	2	2, 3, 4		2
Z	409	180	4	2		2
1	151		2	1, 2, 3		2
2	231		2	1, 2, 3, 4		4
3 (3.8L)	221		4	4		4
4	350		4	1		1
8	350		4	1		1
9	151		2	1, 2, 3		2

*Canadian
Opel Buick

*Body Type - See Model Chart

1980 General Motors Passenger Car Vehicle Identification Numbering (VIN) System

DIVISION/ MAKE	CARLINE/ SERIES	* BODY TYPE	ENGINE CODE	MODEL YEAR	PLANT CODE	PRODUCTION SEQUENCE NUMBER
1	Z	8 7	H	A	S	100.001



DIVISION CODE MAKE
1 - Chevrolet
2 - Pontiac
3 - Oldsmobile
4 - Buick
T - GMC Truck
6 - Cadillac
7 - GM of Canada
8 - GM Overseas

CAR LINE SERIES
<p>CHEVROLET (Code 1)</p> <p>B - Chevette H - Citation Custom J - Chevette Scooter L - Impala M - Monza N - Caprice Classic P - Camaro Sport Coupe R - Monza 2-2 S - Camaro Berlinaetta T - Malibu W - Malibu Classic El Camino Y - Citation Z - Monte Carlo Z - Corvette</p> <p>PONTIAC (Code 2)</p> <p>D - LeMans E - Sunbird F - Grand LeMans G - Grand Am H - Grand Prix SJ J - Grand Prix K - Grand Prix LJ L - Catalina M - Sunbird N - Bonneville R - Bonneville Brougham S - Firebird T - Firebird U - Bonneville Brougham V - Firebird W - Firebird Y - Phoenix Z - Phoenix LJ</p> <p>OLDSMOBILE (Code 3)</p> <p>B - Omega D - Starfire E - Omega Brougham G - Cutlass Salon H - Cutlass Cruiser Brougham J - Cutlass Salon Brougham K - Cutlass Calais L - Delta 88 M - Cutlass Supreme Brougham N - Delta 88 Royale P - Custom Cruiser R - Cutlass Supreme T - Starfire V - Ninety Eight Luxury X - Ninety Eight Regency Y - Delta 88 Brougham Z - Toronado</p>

ENGINE CODES				
CODE	DISP	CARB	DIV USAGE	PROD DIV
B (3.0L)	98	2	1	1
B (3.0L)	98	2	1	1
R (4.7L)	300	4	2, 4	1
W (4.9L)	300	4	2, 4	1
V (4.4L)	267	2	1	1
8 (5.7L)	350	4, 2	1	1
6 (6.0L)	300	4	1	1
9 (6.0L)	300	TBI	1	1
X (5.7L)	300	4	2, 4	1
K (3.8L)	225	2	1	1
4 (4.1L)	225	4	4	1
3 (3.0L)	231	4	1, 3, 4	1
A (3.0L)	231	2	1, 2, 3, 4	1
7 (2.8L)	173	2	1, 2, 3, 4	1
5 (5.7L)	300	DIES	1, 2, 3, 4	1
H (5.0L)	300	4	1, 2, 3, 4	1
L (5.7L)	350	4	1	1
S (4.3L)	267	2	2, 3	1
T (4.9L)	300	4	2	1
Y (5.0L)	307	4	3	1
F (4.3L)	260	2	1	1
6 (2.8L)	195	2	1, 2, 3, 4	1
V (2.5L)	151	2	1, 2, 3	1
6 (5.7L)	350	4	1	1
8 (5.7L)	350	4, 2	1	1
8 (5.7L)	350	4	1	1

CADILLAC (Code 6)
B - Brougham
D - DeVille
F - Limousine
L - Eldorado
S - Seville
Z - Commercial Classes

GM TRUCK & COACH
W - Caballero

*Body Type — See Model Chart

1981 General Motors Passenger Car Vehicle Identification Numbering (VIN) System

DIVISION/ MAKE	RESTRAINT SYSTEM TYPE	CARLINE/ SERIES	BODY TYPE	ENGINE CODE	CHECK DIGIT	MODEL YEAR	PLANT CODE	PRODUCTION SEQUENCE NUMBER
1G1	A	Y	87	6	9	3	S	400.001
① ② ③	④	⑤	⑥ ⑦	⑧	⑨	⑩	⑪	⑫ THRU ⑰

DIVISION CODE	MAKE
1G1	Chevrolet Passenger
1G2	Pontiac Passenger
1G3	Oldsmobile Passenger
1G4	Buick Passenger
1G6	Cadillac Passenger
1G7	GM of Canada Passenger
1G8	Chevrolet Truck
1GT	GMC Truck
J8Z*	Chevrolet Truck
*G8	Chevrolet MPV
1G5	GMC Truck MPV
(See Note)	
*GM merchandised vehicles built by Isuzu Motors, Fujisawa Japan	

CAR LINE/SERIES	
CHEVROLET (Code 1) B — Chevette J — Chevette Scooter L — Impala N — Caprice Classic P — Camaro Sport Coupe S — Camaro Berlinaetta T — Malibu W — Malibu Classic, El Camino X — Citation Z — Monte Carlo Y — Corvette PONTIAC (Code 2) D — LeMans F — Grand LeMans J — Grand Prix K — Grand Prix LJ L — Catalina N — Bonneville P — Grand Prix Brougham R — Bonneville Brougham S — Firebird T — Firebird Esprit Lux V — Firebird Formula W — Firebird Trans Am Y — Phoenix Z — Phoenix LJ OLDSMOBILE (Code 3) B — Omega E — Omega Brougham G — Cutlass Salon H — Cutlass Cruiser Brougham K — Cutlass Calais L — Delta 88 M — Cutlass Supreme Brougham N — Delta 88 Royale P — Custom Cruiser R — Cutlass Supreme V — Ninety-Eight Luxury X — Ninety-Eight Regal Y — Delta 88 Brougham Z — Toronado	BUICK (Code 4) B — Skylark C — Skylark Limited D — Skylark Sport E — Century F — LeSabre Sport Coupe H — Century Custom J — Regal K — Regal Sport Coupe L — Century Limited M — Regal Limited N — LeSabre P — LeSabre Limited R — Estate Wagon V — Electra Estate W — Electra Park Ave. X — Electra Limited Y — Riviera "S" Type Z — Riviera CADILLAC (Code 8) B — Brougham D — DeVille F — Limousine L — Eldorado S — Seville Z — Commercial Chassis GMC TRUCK & COACH W — Cabellero

ENGINE CODES				
CODE	DISP	CARB	DIV/USAGE	PROD. DIV.
9 (1.6L)	98	2	1	1
W (4.9L)	301	4	2,4	2
J (4.4L)	267	2	1,2,3,4,5	1
9 (6.0L)	368	EFI	6	6
X (2.8L)	173	2	1,2,3,4	1
K (3.8L)	225	2	1,2,5	1
4 (4.1L)	252	4	3,4,6	4
3 (3.8L)	231	4	1,3,4	4
A (3.8L)	231	2	1,2,3,4,5	4
Z (2.8L)	173	2	1,2	1
N (5.7L)	350	DIES	1,2,3,4,6	3
H (5.0L)	305	4	1,2,3,4,5	1
L (5.7L)	350	4	1	1
S (4.3L)	—	2	2,4	2
T (4.9L)	—	4	2	2
Y (5.0L)	307	4	2,3,4	3
F (4.3L)	260	2	3	3
5 (2.5L)	151	2	1,2,3,4	2
6 (5.7L)	350	4	1	1
B (5.7L)	350	4	4	4
D (1.8L)	—	DIES	1	1

Code	Restraint System Type
A	Non Passive Restraint Manual Belts
B	Passive Restraint Automatic Belts
C	Passive Restraint Inflatable Restraints

NOTE: DIVISION/MAKE

- 1st Position — Country
 1 — United States
 2 — Canada
 J — Japan
- 2nd Position — Manufacture
 G — General Motors
- 3rd Position — Division
 1 — Chevrolet
 2 — Pontiac
 3 — Oldsmobile
 4 — Buick
 6 — Cadillac
 7 — Canada
 Z — Isuzu (Luv)

*Body Type — See Model Chart

1982 General Motors Passenger Car Vehicle Identification Numbering (VIN) System

DIVISION/ MAKE	RESTRAINT SYSTEM TYPE	CARLINE/ SERIES	BODY TYPE	ENGINE CODE	CHECK DIGIT	MODEL YEAR	PLANT CODE	PRODUCTION SEQUENCE NUMBER
1G1	A	D	27	G	X	C	7	100.001
(1) (2) (3)	(4)	(5)	(6) (7)	(8)	(9)	(10)	(11)	(12) THRU (17)

DIVISION CODE	MAKE
1G1	Chevrolet Passenger
1G2	Pontiac Passenger
1G3	Oldsmobile Passenger
1G4	Buick Passenger
1G6	Cadillac Passenger
1G7	GM of Canada Passenger
1G8	Chevrolet Truck
1G9	GMC Truck
J6Z*	Chevrolet Truck
1G8	Chevrolet MPV
1G5	GMC Truck MPV
(See Note)	
*GM merchandised vehicles built by Isuzu Motors, Fujiwara Japan	

Code	Restraint System
A	Non Passive Restraint Manual Belts
B	Passive Restraint Automatic Belts
C	Passive Restraint Inflation Restraints

CAR LINE/SERIES	
CHEVROLET (Code 1) B — Chevette D — Cavalier E — Cavalier (Hatchback) H — Citation J — Chevette Scooter L — Impala N — Caprice Classic P — Camaro Sport Coupe S — Camaro Berlinetta W — Celebrity (19-27) W — Malibu Classic (35-69) X — Citation Y — Corvette Z — Monte Carlo PONTIAC (Code 2) B — J2000 C — J2000 LE D — J2000 SE F — Pontiac 6000 G — Pontiac 6000 LE J — Grand Prix K — Grand Prix LJ L — T1000 N — Bonneville P — Grand Prix Brougham R — Bonneville Brougham S — Firebird T — Phoenix SJ W — Firebird Trans Am X — Firebird Special Edition Y — Phoenix Z — Phoenix LJ OLDSMOBILE (Code 3) B — Omega C — Firenza D — Firenza E — Omega Brougham G — Cutlass Ciera H — Cutlass Cruiser J — Cutlass Ciera LS K — Cutlass Calais L — Delta 88 M — Cutlass Supreme Brougham (47-69) M — Cutlass Ciera Brougham (19-27) N — Delta 88 Royale P — Custom Cruiser R — Cutlass Supreme W — 98 Regency Brougham X — 98 Regency Y — Delta 88 Royale Brougham Z — Toronado Brougham	BUICK (Code 4) B — Skylark C — Skylark Limited D — Skylark Sport G — Century Sport H — Century J — Regal K — Regal Sport L — Century Limited M — Regal Limited N — Le Sabre P — Le Sabre Limited R — Le Sabre Estate S — Skyhawk T — Skyhawk Limited V — Electra Estate W — Electra Park Avenue X — Electra Limited Y — Riviera "T" Z — Riviera Luxury CADILLAC (Code 6) B — Fleetwood Brougham D — DeVille F — Fleetwood Limousine G — Cimarron J — Fleetwood Limousine G — Cimarron L — Eldorado S — Seville GMC TRUCK & COACH (Code 5) W — Caballero

ENGINE CODES					
CODE	LITERS	CARB	DIV.USAGE	PROD DIV	
A	3.8L	V6	2	1,2,3,4	4
B	2.0	L4	2	1,3	1
C	1.6	L4	2	1,2	1
D	1.8	L4	Dies	1	1
E	3.0	V6	2	3,4	4
F	2.5	L4	2	1,2	2
G	1.8	L4	2	1,2,3,4,6	1
H	5.0	V8	4	1,2,3,4	1
J	4.4	V8	2	1,2,3,4	1
K	3.8	V6	2	1	1
L	5.7	V8	4	1	1
N	5.7	V8	Dies	1,2,3,4,6	3
R	2.5	L4	TBI	1,2,3,4	2
T	4.3	V6	Dies	1,2,3,4	1
V	4.3	V6	Dies	1,2,3,4	3
X	2.8	V6	2	1,2,3,4	1
Y	5.0	V8	4	3,4	3
Z	2.8	V6	2	1,2,3,4	1
0	1.8	L4	TBI	2,4	2
1	2.8	V6	2	1,2	1
2	2.5	L4	TBI	1,2	2
3	3.8	V6	4	1,4	4
4	4.1	V6	4	2,3,4,6	4
5	2.5	L4	2	1,2,3,4	2
7	5.0	V8	TBI	1	1
8	5.7	V8	TBI	1	1
8	4.3	V8	2	3	3
8	4.1	V8	DFI	6	6
9	6.0	V8	DFI	6	6

NOTE: DIVISION/MAKE

1st Position Country
 1 United States
 2 Canada
 J Japan

2nd Position Manufacture
 G General Motors

3rd Position Division
 1 Chevrolet
 2 Pontiac
 3 Oldsmobile
 4 Buick
 6 Cadillac
 7 Canada
 Z Isuzu (Luv)

*Body Type — See Model Chart

CORVETTE BASIC ENGINE DATA & POWER TEAMS

V12

1953

Engine	Cu. In. Displ.	Comp. Ratio	Bore	Stroke	Gross H.P.	Net H.P.	Carburetor	Transmission
Corvette 6 cyl.	235	8.0	3-9/16"	3-15/16"	150 @ 4200 RPM	140 @ 4200 RPM	3-Side Draft Single Barrel	Powerglide

1954-1955 (1st Series)

Corvette 6 cyl.	235	8.0	3-9/16"	3-15/16"	150 @ 4200 RPM	140 @ 4200 RPM	3-Side Draft Single Barrel	Powerglide
-----------------	-----	-----	---------	----------	-------------------	-------------------	-------------------------------	------------

1955 (2nd Series)

Corvette 6 cyl.	235	8.0	3-3/4"	3"	155 @ 4200 RPM	140 @ 4000 RPM	3-Side Draft Single Barrel	Powerglide
Corvette 8 cyl.	265	8.0	3-3/4"	3"	195 @ 5000 RPM	180 @ 4800 RPM	4-Barrel	Powerglide
Corvette 8 cyl.	265	8.0	3-3/4"	3"	195 @ 5000 RPM	180 @ 4800 RPM	4-Barrel	3-Speed

1956

Corvette 8 cyl.	265	9.25	3-3/4"	3"	210 @ 5200 RPM	180 @ 4600 RPM	4-Barrel	3-Speed Powerglide
Corvette 8 cyl.	265	9.25	3-3/4"	3"	225 @ 5200 RPM	196 @ 4800 RPM	Dual 4-Barrel	3-Speed Powerglide

1957

Corvette 8 cyl.	283	9.5	3-7/8"	3"	270 @ 4800 RPM	190 @ 4600 RPM	4-Barrel	Close-Ratio Powerglide
Corvette 8 cyl.	283	9.5	3-7/8"	3"	245 @ 5000 RPM	215 @ 4800 RPM	Dual 4-Barrel	Close-Ratio Powerglide
Corvette 8 cyl.	283	9.5	3-7/8"	3"	250 @ 5000 RPM	225 @ 4800 RPM	Fuel Injection	Close-Ratio Powerglide
*Corvette 8 cyl.	283	9.5	3-7/8"	3"	270 @ 6000 RPM	230 @ 6000 RPM	Dual 4-Barrel	Close-Ratio
*Corvette 8 cyl.	283	10.5	3-7/8"	3"	283 @ 6200 RPM	240 @ 5600 RPM	Fuel Injection	Close-Ratio

*MAXIMUM performance engines have special performance-type camshaft, high-speed valve system and mechanical valve lifters. All other engines have hydraulic valve lifters.

CORVETTE BASIC ENGINE DATA & POWER TEAMS (Cont.)

V13

1958

Engine	Cu. In. Displ.	Comp. Ratio	Bore	Stroke	Gross H.P.	Net H.P.	Carburetor	Transmission
Corvette-8 cyl.	283	9.5	3-7/8"	3"	230 @ 4800 RPM	195 @ 4600 RPM	4-Barrel	3-Speed, 4-Speed, PG
Corvette-8 cyl.	283	9.5	3-7/8"	3"	245 @ 5000 RPM	215 @ 4800 RPM	Dual 4-Barrel	3-Speed, 4-Speed, PG
*Corvette-8 cyl.	283	9.5	3-7/8"	3"	270 @ 6000 RPM	230 @ 6000 RPM	Dual 4-Barrel	3-Speed, 4-Speed
Corvette-8 cyl.	283	9.5	3-7/8"	3"	250 @ 5000 RPM	225 @ 4800 RPM	Fuel Injection	3-Speed, 4-Speed, PG
*Corvette-8 cyl.	283	10.5	3-7/8"	3"	290 @ 6200 RPM	245 @ 5600 RPM	Fuel Injection	3-Speed, 4-Speed

*MAXIMUM performance engines have special performance-type camshaft, high speed valve system and mechanical valve lifters. All other engines have hydraulic valve lifters.

1959

Corvette-8 cyl.	283	9.5	3-7/8"	3"	230 @ 4800 RPM	195 @ 4600 RPM	4-Barrel	3 or 4-Speed, PG
Corvette-8 cyl.	283	9.5	3-7/8"	3"	245 @ 5000 RPM	215 @ 4800 RPM	Dual 4-Barrel	3 or 4-Speed, PG
●Corvette-8 cyl.	283	9.5	3-7/8"	3"	270 @ 6000 RPM	230 @ 6000 RPM	Dual 4-Barrel	3 or 4-Speed
Corvette-8 cyl.	283	9.5	3-7/8"	3"	250 @ 5000 RPM	225 @ 4800 RPM	Fuel Injection	3 or 4-Speed, PG
Corvette-8 cyl.	283	10.5	3-7/8"	3"	290 @ 6200 RPM	245 @ 5600 RPM	Fuel Injection	3 or 4-Speed

●NOTE: Includes special performance type camshaft.

1960-1961

Corvette-8 cyl.	283	9.5	3-7/8"	3"	230 @ 4800 RPM	195 @ 4600 RPM	4-Barrel	3 or 4-Speed, PG
Corvette-8 cyl.	283	9.5	3-7/8"	3"	245 @ 5000 RPM	215 @ 4800 RPM	Dual 4-Barrel	3 or 4-Speed, PG
●Corvette-8 cyl.	283	9.5	3-7/8"	3"	270 @ 6000 RPM	230 @ 6000 RPM	Dual 4-Barrel	3 or 4-Speed
Corvette-8 cyl.	283	11.0	3-7/8"	3"	275 @ 5200 RPM	-	Fuel Injection	3 or 4-Speed
●Corvette-8 cyl.	283	11.0	3-7/8"	3"	315 @ 6200 RPM	-	Fuel Injection	3 or 4-Speed

●NOTE: Includes special performance type camshaft

CORVETTE BASIC ENGINE DATA & POWER TEAMS (Cont.)

V14

1962

Engine	Cu. In. Displ.	Comp. Ratio	Bore	Stroke	Gross H.P.	Net H.P.	Carburetor	Transmission
Corvette-8 cyl.	327	10.5	4"	3-1/4"	250 @ 4400 RPM	210 @ 4400 RPM	4-Barrel	3 or 4-Speed, PG
Corvette-8 cyl.	327	10.5	4"	3-1/4"	300 @ 5000 RPM	-	Large 4-Barrel	3 or 4-Speed, PG
Corvette-8 cyl.	327	11.25	4"	3-1/4"	340 @ 6000 RPM	-	Large 4-Barrel	3 or 4-Speed
Corvette-8 cyl.	327	11.25	4"	3-1/4"	360 @ 6000 RPM	-	Fuel Injection	3 or 4-Speed

1963

327-8 cyl.	327	10.5	4"	3-1/4"	250 @ 5000 RPM	210 @ 4400 RPM	4-Barrel	3-SPD., 4-SPD., PG
327-8 cyl.	327	10.5	4"	3-1/4"	300 @ 5000 RPM	-	Large 4-Barrel	3-SPD., 4-SPD., PG
327-8 cyl.	327	11.25	4"	3-1/4"	340 @ 6000 RPM	-	Large 4-Barrel	3-SPD., 4-SPD.
327-8 cyl.	327	11.25	4"	3-1/4"	360 @ 6000 RPM	-	Fuel Injection	3-SPD., 4-SPD.

1964

327-8 cyl.	327	10.5	4"	3-1/4"	250 @ 4400 RPM	210 @ 4400 RPM	4-Barrel	3-SPD., 4-SPD., PG
327-8 cyl.	327	10.5	4"	3-1/4"	300 @ 5000 RPM	-	Large 4-Barrel	3-SPD., 4-SPD., PG
327-8 cyl.	327	11.25	4"	3-1/4"	365 @ 4000 RPM	-	Large 4-Barrel	3-SPD., 4-SPD.
327-8 cyl.	327	11.25	4"	3-1/4"	375 @ 44- 4800 RPM	-	F.I.	3-SPD., 4-SPD.

CORVETTE BASIC ENGINE DATA & POWER TEAMS (Cont.)

V15

1965

Engine	Cu. In. Displ.	Comp. Ratio	Bore	Stroke	Gross H.P.	Net H.P.	Carburetor	Transmission
327-8 cyl.	327	10.5	4"	3-1/4"	250 @ 4400 RPM	210 @ 4400 RPM	4-Barrel	3-SPD., 4-SPD., PG
327-8 cyl.	327	10.5	4"	3-1/4"	300 @ 5000 RPM	-	Large 4-Barrel	3-SPD., 4-SPD., PG
327-8 cyl.	327	11.0	4"	3-1/4"	350 @ 5800 RPM	-	Large 4-Barrel (Hyd. Lifters)	3-SPD., 4-SPD.
327-8 cyl.	327	11.0	4"	3-1/4"	365	-	Large 4-Barrel (Mech. Lifters)	3-SPD., 4-SPD.
327-8 cyl.	327	11.0	4"	3-1/4"	375	-	F.I. (Mech. Lifters)	3-SPD., 4-SPD.
396-8 cyl.	396	11.0	4-3/32"	3-49/64"	425 @ 6400 RPM	-	4-Barrel	4-SPD.

1966

327-8 cyl.	327	10.5	4"	3-1/4"	300 @ 5000 RPM	-	Large 4-Barrel	3-SPD., 4-SPD., PG
327-8 cyl.	327	11.0	4"	3-1/4"	350 @ 5800 RPM	-	Large 4-Barrel (Hyd. Lifters)	3-SPD., 4-SPD.
427-8 cyl.	427	10.25	4-1/4"	3-49/64"	390 @ 5400 RPM	-	Large 4-Barrel (Hyd. Lifters)	4-SPD.
427-8 cyl.	427	11.0	4-1/4"	3-49/64"	425 @ 6400 RPM	-	F.I. (Mech. Lifters)	4-SPD.

1967

Turbo-Fire 327-8 cyl.	327	10.25	4"	3-1/4"	300 @ 5000 RPM	-	4-Barrel	3-SPD., 4-SPD., PG
Turbo-Fire 327-8 cyl.	327	11.0	4"	3-1/4"	350 @ 5800 RPM	-	4-Barrel	3-SPD., 4-SPD.
Turbo-Jet 427-8 cyl.	427	10.25	4-1/4"	3-49/64"	-	-	4-Barrel	3-SPD., 4-SPD., TH
Turbo-Jet 427-8 cyl.	427	10.25	4-1/4"	3-49/64"	-	-	4-Barrel	3-SPD., 4-SPD., PG
Turbo-Jet 427-8 cyl.	427	10.25	4-1/4"	3-49/64"	-	-	3 x 2 Barrel	4-SPD., PG
Turbo-Jet 427-8 cyl.	427	11.0	4-1/4"	3-49/64"	-	-	3 x 2 Barrel (Mech. Lifters)	4-SPD.

MICROFICHE INDEX

GROUP 3.000

FICHE 2 OF 6

GROUP DESCRIPTION	STARTING GRID LOCATION	
	PARTS	ILLUSTRATIONS
- INTRODUCTION	A-6	I-2
- GENERAL INFORMATION	A-2	I-2
- ALPHABETICAL INDEX	C-11	N.A.
- INDEX FOR ADDITIONAL INFORMATION	A-5	N.A.
3.000 FUEL - EXHAUST - CARBURETION	E-2	I-6
- CARBURETOR CHARTS	F-20	N.A.
- OUT OF FICHE CALLS	N.A.	N-9

B-1

CORVETTE BASIC ENGINE DATA & POWER TEAMS (Cont.)

1968

Engine	Cu. In. Displ.	Comp. Ratio	Bore	Stroke	Gross H.P.	Net H.P.	Carburetor	Transmission
Turbo-Fire 327-8 cyl.	327	10.0	4"	3-1/4"	300 @ 5000 RPM	-	4-Barrel	3-SPD., 4-SPD., TH
Turbo-Fire 327-8 cyl.	327	11.0	4"	3-1/4"	350 @ 5800 RPM	-	4-Barrel	4-SPD.
Turbo-Jet 427-8 cyl.	427	10.25	4-1/4"	3-49/64"	385 @ 5200 RPM	-	4-Barrel	3-SPD., 4-SPD., TH
Turbo-Jet 427-8 cyl.	427	10.25	4-1/4"	3-49/64"	490 @ 5400 RPM	-	3 x 2 Barrel	4-SPD., TH
Turbo-Jet 427-8 cyl.	427	11.0	4-1/4"	3-49/64"	435 @ 5800 RPM	-	3 x 2 Barrel (Mech Lifters)	4-SPD.

1969

Turbo-Fire 350-8 cyl.	350	10.25	4.0"	3-31/64"	300 @ 4800 RPM	-	4-Barrel	3-SPD., 4-SPD., PG T.H.
Turbo-Fire 350-8 cyl.	350	11.0	4.0"	3-31/64"	350 @ 5600 RPM	-	4-Barrel	4-SPD.
Turbo-Jet 427-8 cyl.	427	10.25	4-1/4"	3-49/64"	390 @ 5400 RPM	-	4-Barrel	3-SPD., 4-SPD., TH400
Turbo-Jet 427-8 cyl.	427	10.25	4-1/4"	3-49/64"	400 @ 54 RPM	-	3 x 2 Barrel	4-SPD., TH400
Turbo-Jet 427-8 cyl.	427	12.5	4-1/4"	3-49/64"	430 @ 5200 RPM	-	4-Barrel	4-SPD., TH400
Turbo-Jet 427-8 cyl.	427	11.0	4-1/4"	3-49/64"	435 @ 5800 RPM	-	3 x 2 Barrel	4-SPD., TH400

1970

Engine	Cu. In. Displ.	Comp. Ratio	Bore	Stroke	Gross H.P.	Carburetor	Transmission
Turbo-Fire 350-V-8	350	10.25	4.0"	3-31/64"	300 @ 4800 RPM	4-Barrel	3-SPD., 4-SPD., T.H.
Turbo-Fire 350-V-8	350	11.00	4.0"	3-31/64"	350 @ 5600 RPM	4-Barrel	4-SPD., 4-SPD. Close Ratio, T.H.
Turbo-Fire 350-V-8	350	11.00	4.0"	3-31/64"	370 @ 6000 RPM	4-Barrel	4-SPD., H.D. 4-SPD. 4-SPD., Close Ratio
Turbo-Jet 454-V-8	454	10.25	4.0"	4.0"	390 @ 4800 RPM	4-Barrel	4-SPD., 4-SPD., Close Ratio, T.H. 400
Turbo-Jet 454-V-8	454	12.25	4-1/4"	4.0"	465 @ 5200 RPM	4-Barrel	H.D. 4-SPD.

1971

Turbo-Fire 350-V-8	350	8.5:1	4.0"	3-31/64"	270 @ 4800 RPM	4-Barrel	4-SPD., T.H.
Turbo-Fire 350-V-8	350	9:1	4.0"	3-31/64"	330 @ 5600 RPM	4-Barrel	4-SPD., H.D. 4-SPD. 4-SPD., Close Ratio
Turbo-Jet 454-V-8	454	8.5:1	4-1/4"	4.0"	365 @ 4800 RPM	4-Barrel	4-SPD. 4-SPD., Close Ratio, T.H. 400
Turbo-Jet 454-V-8	454	9:1	4-1/4"	4.0"	425 @ 5600 RPM	4-Barrel	H.D. 4-SPD., T.H. 400

CORVETTE BASIC ENGINE DATA & POWER TEAMS (Cont.)

1972-74

Engine	Cu. In. Displ.	Comp. Ratio	Bore	Stroke	Carburetor	Transmission
Turbo-Fire 350-V-8	350	8.5:1	4.0"	3-31/64"	4-Barrel	4-Spd., T.H. 400
Turbo-Fire 350-V-8	350	9:1	4.0"	3-31/64"	4-Barrel	4-Spd., 4-Spd. Close Ratio H.D., 4-Spd.
Turbo-Jet 454-V-8	454	8.25:1	4-1/4"	4.0"	4-Barrel	4-Spd., 4-Spd. Close Ratio, T.H. 400

1975-77

Engine	Cu. In. Displ.	Comp. Ratio	Bore	Stroke	Carburetor	Transmission
Turbo-Fire 350 V-8	350	8.5:1	4.0"	3-31/64"	4-Barrel	4-Spd., T.H. 400 T.H. 350
Turbo-Fire 350 V-8	350	9.0:1	4.0"	3-31/64"	4-Barrel	4-Spd., 4-Spd., Close Ratio T.H. 400

1978-79

Engine	Cu. In. Displ.	Comp. Ratio	Bore	Stroke	Carburetor	Transmission
Turbo Fire 350 V-8	350	8.5:1	4.0"	3-31/64"	4-Barrel	4-Spd., T.H. 350
Turbo Fire 350 V-8	350	9.0:1	4.0"	3-31/64"	4-Barrel	4-Spd. Close Ratio, T.H. 350

1980

Engine	Cu. In. Displ.	Comp. Ratio	Bore	Stroke	Carburetor	Transmission
*305 V-8	305	8.5:1	3.736	3.480	4-Barrel	M33 Auto.
Turbo-Fire 350 V-8	350	9.0:1	4.0"	3-31/64"	4-Barrel	4-Spd. (2.88 Low)

*California

1981

Engine	Cu. In. Displ.	Comp. Ratio	Bore	Stroke	Carburetor	Transmission
Turbo-Fire 350 V-8	350	9.0:1	4.0"	3-31/64"	4-Barrel	4-Spd. (2.88 Low) (M18)

1982

Engine	Cu. In. Displ.	Comp. Ratio	Bore	Stroke	Carburetor	Transmission
Turbo-Fire 350 V-8	350	9.0:1	4.0"	3-31/64"	4-Barrel	4-Spd. A.T. (MD8)

CORVETTE REAR AXLE IDENTIFICATION

V18

Axle Identification is stamped on differential carrier along with date of manufacture.

Type	Plant Identification	Type	Plant Identification
1955-58		1961	
3-Speed	AH	3-Speed or 4-Speed w/Metallic Brakes (3.70 ratio)	FJ
Powerglide	AE	3-Speed or 4-Speed w/Positraction and Metallic Brakes (3.70 ratio)	FK
3-Speed w/3.27 ratio	AD	3-Speed or 4-Speed w/Positraction and Metallic Brakes (4.11 ratio)	FL
3-Speed w/4.11 ratio	AJ	3-Speed or 4-Speed w/Positraction and Metallic Brakes (4.56 ratio)	FM
3-Speed w/Positraction (3.70 ratio)	AN		
3-Speed w/Positraction (4.11 ratio)	AP		
3-Speed w/Positraction (4.56 ratio)	AQ		
Heavy Duty Brake & Suspension w/Positraction (3.70 ratio)	AS		
Heavy Duty Brake & Suspension w/Positraction (4.11 ratio)	AT		
Heavy Duty Brake & Suspension w/Positraction (4.56 ratio)	AU	3-Speed (3.36 ratio)	AC
		Powerglide (3.55 ratio)	AE
		4-Speed (3.70 Ratio)	AH
		Positraction (3.70 ratio)	AN
		Positraction (4.11 ratio)	AP
		Positraction (4.56 ratio)	AQ
		Positraction (3.36 ratio)	AF
		Positraction w/H.D. Brake/Susp. (3.70 ratio)	AS
		Positraction w/H.D. Brake/Susp. (4.11 ratio)	AT
		Positraction w/H.D. Brake Susp. (4.56 ratio)	AU
		Metallic Brakes (3.70 ratio)	FJ
		Positraction w/Metallic Brakes (3.70 ratio)	FK
		Positraction w/Metallic Brakes (4.11 ratio)	FL
		Positraction w/Metallic Brakes (4.56 ratio)	FM
		1962	
		3-Speed (3.36 ratio)	CA
		Positraction (3.36 ratio)	CB
		Positraction (3.55 ratio)	CC
		Positraction (3.70 ratio)	CD
		Positraction (4.11 ratio)	CE
		Positraction (4.56 ratio)	CF
		4-Speed	CG
		w/Metallic Brakes (3.36 ratio)	CH
		w/Metallic Brakes (3.55 ratio)	CJ
		Positraction w/Metallic Brakes (3.36 ratio)	CK
		Positraction w/Metallic Brakes (3.55 ratio)	CL
		Positraction w/Metallic Brakes (3.70 ratio)	CM
		Positraction w/Metallic Brakes (4.11 ratio)	CN
		Positraction w/Metallic Brakes (4.56 ratio)	CP
		Positraction w/H.D. Brake/Susp.	CQ
1959			
3-Speed or 4-Speed	AH		
Powerglide	AE		
3 or 4 Speed w/Positraction (3.70 ratio)	AN		
3 or 4 Speed w/Positraction (4.11 ratio)	AP		
3 or 4 Speed w/Positraction (4.56 ratio)	AQ		
3 or 4 Speed w/H.D. Brake/Susp. and Positraction (3.70 ratio)	AS		
3 or 4 Speed w/H.D. Brake/Susp. and Positraction (4.11 ratio)	AT		
3 or 4 Speed w/H.D. Brake/Susp. and Positraction (4.56 ratio)	AV		
3 or 4 Speed w/Metallic Brakes	FJ		
3 or 4 Speed w/Positraction and Metallic Brakes (3.70 ratio)	FK		
3 or 4 Speed w/Positraction and Metallic Brakes (4.11 ratio)	FL		
3 or 4 Speed w/Positraction and Metallic Brakes (4.56 ratio)	FM		
1960			
3-Speed or 4-Speed (3.70 ratio)	AH		
Powerglide (3.55 ratio)	AE		
Positraction (3.70 ratio)	AN		
Positraction (4.11 ratio)	AP		
Positraction (4.56 ratio)	AQ		
3-Speed or 4-Speed w/H.D. Brake/Susp. and Positraction (3.70 ratio)	AS		
3-Speed or 4-Speed w/H.D. Brake/Susp. and Positraction (4.11 ratio)	AT		
3-Speed or 4-Speed w/H.D. Brake/Susp. and Positraction (4.56 ratio)	AU		

CORVETTE REAR AXLE IDENTIFICATION (Cont.)

V19

Type	Plant Identification	Type	Plant Identification
	1963		
3-Speed (3.36 ratio)	CA	Positraction (4.11 ratio)	AP
Positraction (3.08 ratio)	CJ	4-Speed (3.70 ratio)	AS
Positraction (3.36 ratio)	CB	Positraction (3.08 ratio) "427"	AT
Positraction (3.55 ratio)	CC	Positraction (3.36 ratio) "427"	AU
Positraction (3.70 ratio)	CD	Positraction (3.55 ratio) "427"	AZ
Positraction (4.11 ratio)	CE	Positraction (3.70 ratio) "427"	FA
Positraction (4.56 ratio)	CF	Positraction (4.11 ratio) "427"	FB
4-Speed (3.08 ratio)	CZ	Positraction (4.56 ratio)	FC
4-Speed (3.70 ratio)	CX		
	1964		1968
3-Speed (3.36 ratio)	CA	(3.36 ratio)	AK
Positraction (3.08 ratio)	CJ	Positraction (3.08 Ratio)	AL
Positraction (3.36 ratio)	CB	Positraction (3.36 ratio)	AM
Positraction (3.55 ratio)	CC	Positraction (3.55 ratio)	AN
Positraction (3.70 ratio)	CD	Positraction (3.70 ratio)	AO
Positraction (4.11 ratio)	CE	Positraction (4.11 ratio)	AP
Positraction (4.56 ratio)	CF	(3.70 ratio)	AS
4-Speed (3.08 ratio)	CZ	Positraction (3.08 ratio) (H.D.)	AT
4-Speed (3.70 ratio)	CX	Positraction (3.36 ratio) (H.D.)	AU
		Positraction (3.08 ratio)	AV
		Positraction (3.08 ratio) (H.D.)	AW
	1965		1969
(3.36 ratio)	AK	(3.36 ratio)	AK
Positraction (3.08 ratio)	AL	Positraction (3.08 ratio)	AL
Positraction (3.36 ratio)	AM	Positraction (3.36 ratio)	AM
Positraction (3.55 ratio)	AN	Positraction (3.55 ratio)	AN
Positraction (3.70 ratio)	AO	Positraction (3.70 ratio)	AO
Positraction (4.11 ratio)	AP	Positraction (4.11 ratio)	AP
Positraction (4.56 ratio)	AQ	(3.70 ratio)	AS
4-Speed (3.70 ratio)	AR	Positraction (3.08 ratio) (H.D.)	AT
Positraction (3.08 ratio) "396"	AS	Positraction (3.36 ratio) (H.D.)	AU
Positraction (3.36 ratio) "396"	AT	Positraction (3.08 ratio)	AV
Positraction (3.55 ratio) "396"	AU	Positraction (3.08 ratio) (H.D.)	AW
Positraction (3.70 ratio)	AZ	Positraction (2.73 ratio) (H.D.)	AY
Positraction (4.11 ratio) "396"	FA	Positraction (3.55 ratio) (H.D.)	AZ
Positraction (4.56 ratio) "396"	FB	Positraction (3.70 ratio) (H.D.)	FA
	FC	Positraction (4.11 ratio) (H.D.)	FB
		Positraction (4.56 ratio)	FC
	1966		1970
(3.36 ratio)	AK	(3.36 ratio)	CAK
Positraction (3.08 ratio)	AL	Positraction (3.08 ratio)	CAL
Positraction (3.36 ratio)	AM	Positraction (3.36 ratio)	CAM
Positraction (3.55 ratio)	AN	Positraction (3.55 ratio)	CAN
Positraction (3.70 ratio)	AO	Positraction (3.70 ratio) 350 H/Per.,	
Positraction (4.11 ratio)	AP	4-Speed Closed Ratio	CAO
Positraction (3.08 ratio)	AR	Positraction (4.11 ratio)	CAP
4-Speed (3.70 ratio)	AS	Positraction (3.70 ratio) 350 H/Per.,	
Positraction (3.08 ratio) "396"	AT	4-Speed Closed Ratio	CAS
Positraction (3.36 ratio) "396"	AU	Positraction (3.08 ratio)	CAT
Positraction (3.55 ratio) "396"	AZ	Positraction (3.36 ratio)	CAU
Positraction (3.70 ratio) "396"	FA	Positraction (3.08 ratio)	CAV
Positraction (4.11 ratio) "396"	FB	Positraction (3.08 ratio) 4-Speed Automatic	CAW
Positraction (4.56 ratio) "396"	FC	Positraction (2.73 ratio)	CAY
		Positraction (3.36 ratio) 4-Speed Automatic	CAX
	1967	Positraction (3.55 ratio)	CAZ
(3.36 ratio)	AK	Positraction (3.70 ratio)	CFA
Positraction (3.08 ratio)	AL	Positraction (4.11 ratio)	CFB
Positraction (3.36 ratio)	AM	Positraction (4.56 ratio)	CFC
Positraction (3.55 ratio)	AN	Positraction (3.36 ratio)	CLR
Positraction (3.70 ratio)	AO		

NOTE: The four digit number following the type designation will designate the calendar month and data produced.
 NOTE: Plant designation is to be stamped immediately following the production date. "B" Buffalo Plant, "G" Gear and Axle Plant, and "W" Warren Plant.

CORVETTE REAR AXLE IDENTIFICATION (Cont.)

V20

Type	Plant Identification	Type	Plant Identification
1971			
Positraction (3.55 ratio)	AA	Positraction (3.08 ratio)	AW
Positraction (3.70 ratio)	AB	Positraction (3.36 ratio)	AX
Positraction (4.11 ratio)	AC	Positraction (3.36 ratio)	LR
Positraction (4.56 ratio)	AD		
1972-75			
Positraction (3.36 ratio)	AX	Positraction (3.55 ratio)	AA
Positraction (3.36 ratio)	LR	Positraction (3.08 ratio)	AW
Positraction (4.11 ratio)	AC	Positraction (2.73 ratio)	AV
Positraction (3.70 ratio)	AB		
1976-77			
Positraction (3.08 ratio)	OA	Positraction (3.55 ratio)	OB
Positraction (3.36 ratio)	LR-OD	Positraction (3.70 ratio)	OC
1978			
Positraction (3.08 ratio)	OK	Positraction (3.55 ratio)	OH
Positraction (3.36 ratio)	OM	Positraction (3.70 ratio)	OJ
1979			
Positraction (3.36 ratio)	OM	Positraction (3.70 ratio)	OJ
Positraction (3.55 ratio)	OH		
1980			
Positraction (3.07 Ratio)	(DANA)		
1981			
Positraction (2.87 Ratio) w/A.T.	OJ	Positraction (2.72 Ratio) w/M.T.	OK
1982			
Positraction (2.87 Ratio)	(Dana)		

1976 CORVETTE TRIM CHART			
SEAT TRIMS	LEATHER	INTERIOR TRIMS	SEAT RPO
Smoke Gray	152	Smoke Gray 15I	A51
Black	192	Black 19I	A51
Dark Bluegreen	322	Dark Bluegreen 32I	A51
Light Buckskin and Saddle*	642	Light Buckskin 64I and Saddle*	A51
Dark Brown	692	Dark Brown 69I	A51
Dark Firethorn	712	Dark Firethorn 71I	A51
*Custom Interior Not Available			

1977 CORVETTE TRIM CHART				
SEAT TRIMS	CLOTH	LEATHER	INTERIOR TRIMS	SEAT RPO
Smoke Gray	15C	152	Smoke Gray 15I	A51
Black	19C	192	Black 19I	A51
Dark Blue	27C	272	Dark Blue 27I	A51
Light Buckskin	64C	642	Light Buckskin 64I	A51
Dark Brown	69C	692	Dark Brown 69I	A51
Dark Firethorn	72C	722	Dark Firethorn 72I	A51

1978 CORVETTE TRIM CHART				
SEAT TRIMS	CLOTH	LEATHER	INTERIOR TRIMS	SEAT RPO
Oyster White	12C	122	Oyster White 12I	AR7
Black	19C	192	Black 19I	AR7
Midnight Blue	29C	292	Midnight Blue 29I	AR7
Doeskin	59C	592	Doeskin 59I	AR7
Dark Brown	69C	692	Dark Brown 69I	AR7
Medium Red	72C	722	Medium Red 72I	AR7
Saffron	76C	762	Saffron 76I	AR7
Silver Metallic and Smoke Gray Metallic*	15C	152	Silver Metallic and 15I Smoke Gray Metallic	A51
*Available with RPO Z78 Only.				

1979 CORVETTE TRIM CHART				
SEAT TRIMS	CLOTH	LEATHER	INTERIOR TRIMS	SEAT RPO
Oyster White	12C	122	Oyster White 12I	A51
Black		192	Black 19I	A51
Midnight Blue	29C	292	Midnight Blue 29I	A51
Dark Green	49C	492	Dark Green 49I	A51
Doeskin	59C	592	Doeskin 59I	A51
Medium Red		722	Medium Red 72I	A51

1980 CORVETTE TRIM CHART				
SEAT TRIMS	CLOTH	LEATHER	INTERIOR TRIMS	SEAT RPO
Oyster White	12C	122	Oyster White 12I	A51
Black		192	Black 19I	A51
Midnight Blue	29C	292	Midnight Blue 29I	A51
Dark Green		492	Dark Green 49I	A51
Doeskin	59C	592	Doeskin 59I	A51
Red		722	Red 72I	A51
Dark Claret	79C	792	Dark Claret	A51

1981 CORVETTE TRIM CHART				
SEAT TRIMS	CLOTH	LEATHER	INTERIOR TRIM	SEAT RPO
Black	19C	192	Black	A51
Midnight Blue	29C	292	Midnight Blue	A51
Medium Doeskin	64C	642	Medium Doeskin	A51
Medium Red	—	752	Medium Red	A51
Medium Cinnabar	67C	672	Medium Cinnabar	A51
Silver	—	152		

1982 CORVETTE TRIM CHART				
SEAT TRIMS	CLOTH	LEATHER	INTERIOR TRIMS	SEAT RPO
Silver Gray		132	Silver Gray	A51
Charcoal		182	Charcoal	A51
Dark Red	74C	742	Dark Red	A51
Camel	64C	642	Camel	A51
Dark Blue	22C	222	Dark Blue	A51
Silver Green Metallic		402	Silver Green Metallic	A51
Silver Beige Metallic		592	Silver Beige Metallic	A51

1963 CORVETTE PAINT COLORS

R.P.O. No.	Color	PASSENGER CAR EXTERIORS—ACRYLIC			PASSENGER CAR WHEELS—ENAMEL
		Lucite Stock No.	Rinshed-Mason Stock No.	Ditzler Stock No.	Color†
916	Daytona Blue	4395-L	A-1539	DDL-12696	Daytona Blue
923	Riverside Red	2931-L	A-1138	DDL-70961	Riverside Red
941	Sebring Silver	867-96417		DDL-32312	Sebring Silver

◆Note: The above surfaces finished in baked enamel. Do not apply acrylic lacquer over the enamel color coat.
†Note: Ditzler color same as body color with DOE prefix.

1964 CORVETTE PAINT COLORS

R.P.O. No.	Color	Lucite Stock No.	Rinshed-Mason Stock No.	Ditzler Stock No.	Color
900	Tuxedo Black	88-L	A-946	DDL-9300	Tuxedo Black
912	Silver Blue	4250-L	A-1481	DDL-12546	Silver Blue
916	Daytona Blue	4395-L	A-1539	DDL-12696	Daytona Blue
923	Riverside Red	2931-LH	A-1138R	DDL-70961	Riverside Red
932	Saddle Tan	4392-L	A-1537	DDL-22269	Saddle Tan
936	Ermine White	4024-L	A-1199	DDL-8259	Ermine White
940	Satin Silver	4247-L	A-1477	DDL-32173	Satin Silver

1965 CORVETTE PAINT COLORS

Chev. Code	Color	Lucite Stock No.	Rinshed-Mason Stock No.	Ditzler Stock No.
A	Tuxedo Black	88-L	A-946	DDL-9300
C	Ermine White	4024-L	A-1199	DDL-8259
FF	Nassau Blue	4690-L	A-1747	DDL-3364
GG	Glen Green	4691-L	A-1745	DDL-3366
MM	Milano Maroon	4689-LM	A-1746M	DDL-3365
QQ	Silver Pearl	4621-L	A-1708	DDL-3314
UU	Rally Red	4688-H	A-1744	DDL-3395
XX	Goldwood Yellow	4530-LH	A-1612	DDL-3231
Y	Crocus Yellow	4620-L	A-1715	DDL-3313

1966 CORVETTE PAINT COLORS

Chev. Code	Color	Lucite Stock No.	Rinshed-Mason Stock No.	Ditzler Stock No.
900	Tuxedo Black	88-L	A-946	DDL-9300
972	Ermine White	4024-L	A-1199	DDL-8259
974	Rally Red	4688-LH	A-1744R	DDL-71491
976	Nassau Blue	4690-L	A-1747	DDL-13057
978	Laguna Blue	4710-L	A-1826	DDL-13188
980	Trophy Blue	4712-L	A-1825	DDL-13199
982	Mosport Green	4713-L	A-1827	DDL-43535
984	Sunfire Yellow	4711-L	A-1828	DDL-81540
986	Silver Pearl	4621-L	A-1708	DDL-32449
988	Milano Maroon	4689-LM	A-1746M	DDL-50706

1967 CORVETTE PAINT COLORS

Chev. Code	Color	Lucite Stock No.	Rinshed-Mason Stock No.	Ditzler Stock No.
900	Tuxedo Black	88	A-946	9300
972	Ermine White	4024-L	A-1199	8259
976	Rally Red	4688-LH	A-1744R	71491
977	Marina Blue	4850-L	A-1920	13364
977	Lynndale Blue	4833-L	A-1912	13348
980	Eikharl Blue	4834-L	A-1911	13347
983	Goldwood Green	4835-L	A-1913	43652
984	Sunfire Yellow	4711-L	A-1828	81540
986	Silver Pearl	4621-L	A-1708	32449
988	Marlboro Maroon	4836-LM	A-1914F	71584

1968 CORVETTE PAINT COLORS

Chev. Code	Color	Lucite Stock No.	Rinshed-Mason Stock No.	Ditzler Stock No.
900	Tuxedo Black	88	A-946	9300
972	Polar White	4714-L	A-2005	8631
974	Rally Red	4688-LH	A-1744R	71491
976	LeMans Blue	4908-L	A-2007	13549
978	International Blue	4909-L	A-2008	13550
983	British Green	4949-L	A-2011	43795
984	Safari Yellow	4906-L	A-2009	81621
986	Silverstone Silver	4907-L	A-2000	8596
988	Cordovan Maroon	4915-LH	A-2006M	50775
992	Corvette Bronze	4910-LH	A-2010	22969

1969 CORVETTE PAINT COLORS

Chev. Code	Color	Lucite Stock No.	Rinshed-Mason Stock No.	Ditzler Stock No.
900	Tuxedo Black	88-L	A-946	9300
983	Fathom Green	5013-L	A-2102	2079
988	Burgundy	5063-LH	A-2107M	50700
986	Cortez Silver	5032-L	A-2108	2059
976	LeMans Blue	5030-L	A-2109	2083
990	Hugger Orange	5021-LM	A-2111R	2084
984	Daytona Yellow	5026-LH	A-2119	2094
972	Can-Am White	5050-L	A-1802	8631
974	Monza Red	5027-LH	A-2120R	2089
980	Riverside Gold	5029-L	A-2122	2092

1970 CORVETTE PAINT COLORS

Chev. Code	Color	Lucite Stock No.	Rinshed-Mason Stock No.	Ditzler Stock No.
15	Laguna Gray	5134-L	A-2258	2198
27	Bridgelyampton Blue	5132-L	A-2263	2199
44	Donnybrook Green	5133-L	A-2267D	2200
51	Daytona Yellow	5026-LH	A-2119	2094
62	Ontario Orange	5128-LM	A-2274G	2182
72	Monza Red	5027-LH	A-2120R	2089
77	Marlboro Maroon	5131-LH	A-2280M	71584

1971 CORVETTE PAINT COLORS

Chev. Code	Color	Lucite Stock No.	Rinshed-Mason Stock No.	Ditzler Stock No.
972	Classic White	5040L	A-1802	8631
905	Nevada Silver	5276L	A-2438	2327
976	Mulsanna Blue	5327L	A-2262	2213
979	Bridgelyampton Blue	5132L	A-2263	2199
983	Brands Hatch Green	5288L	A-2447	2336
912	Sunflower	5283LH	A-2422	2338
973	Mille Miglia Red	5291LM	A-2460R	2349
989	War Bonnet Yellow	5292LM	A-2464LF	2351
987	Ontario Orange	5293LM	A-2469F	2357
988	Steel Cities Gray Firemist	5294L	A-2470D	2358

1972 CORVETTE PAINT COLORS

Chev. Code	Color	Lucite Stock No.	Rinshed Mason Stock No.	Ditzler Stock No.
972	Classic White	5040L	A-1802	8631
924	Powder Silver	5426L	A-2541	2629
945	Bryar Blue	5461L	A-2547	2434
979	Targa Blue	5460L	A-2544	2432
946	Elkhart Green	5462L	A-2551	2438
912	Sunflower	5283L	A-2422	2338
973	Mille Miglia Red	5291L	A-2460R	2349
989	War Bonnet Yellow	5292L	A-2464F	2357
987	Ontario Orange	5293L	A-2469F	2357
988	Steel Cities Gray Firemist	5294L	A-2470D	2359

1973 CORVETTE PAINT COLORS

Corvette Paint Code	Color Name	Fisher WA Number	Ditzler Code	Rinshed Mason	DuPont
910	Classic White	3465	8631	A 1802	5040L
914	Corvette Silver Metallic	4469	2519	A 2619	5563L
922	Corvette Medium Blue Metallic	4069	2213	A 2621	5564L
927	Corvette Dark Blue Metallic	4282	2432	A 2544	5565L
945	Corvette Blue Green Metallic	4146	2336	A 2447	5288L
947	Elkhart Green	4284	2438	A 2551	5462L
957	Corvette Yellow	4466	2534	A 2635G	5566L
953	Corvette Yellow Metallic	4465	2535	A 2636F	5567L
976	Mille Miglia Red	4147	2349	A 2460R	5291L
980	Corvette Orange Metallic	4464	2548	A 2652F	5568L

1974 CORVETTE PAINT COLORS

Chev. Code	Color	Fisher WA Number	Ditzler	Rinshed Mason	DuPont
910	Classic White	3465	8631	A-1802	5040L
914	Silver Mist	4469	2519	A-2619	5563L
917	Gray	4547	2630	A-2698F	42817LH
922	Medium Blue	4069	2213	A-2621	5564L
948	Dark Green	4548	2644	A-2706F	42816L
956	Bright Yellow	3893	2094	A-2119	5026LH
968	Dark Brown	4328	2543	A-2647D	5483L
974	Medium Red	4533	2658	A-2718F	5477L
976	Mille Miglia	4147	2349	A-2460R	5291LM
980	Orange	4464	2548	A-2652F	5568LM

1975 CORVETTE PAINT COLORS

Chev. Code	Color	Fisher WA Number	Ditzler	Rinshed Mason	DuPont
10	White	3465	8631	A-1802	5040L
13	Silver	4322	2518	A-2618	43537L
22	Med. Blue	4672	2744	A-2797	43467L
27	Dk. Steel Blue	4671	2747	A-2800F	43466LH
42	Bright Green	4670	2749	A-2830G	43465LH
56	Bright Yellow	4669	2756	A-2809	43464LH
67	Med. Saddle	4668	2762	A-2815D	43463L
70	Flame Red	4667	2764	A-2817R	43462LM
74	Red Ind.	4533	2658	A-2718F	42810LM
76	Red	4147	2349	A-2460R	5291LM

1976 CORVETTE PAINT COLORS

Chev. Code	Color	Fisher WA Number	Ditzler	Rinshed Mason	DuPont
10	White	3465	8631	A-1802	5040L
13	Silver	4322	2518	A-2618	43527L
22	Med. Blue	4672	2744	A-2797	43467L
56	Bright Yellow	4669	2756	A-2809	43464LH
70	Flame Red	4667	2764	A-2817R	43462LM
72	Med. Red	4460	2544	A-2648F	5489LM
69	Dk. Brown Met.	4518	2656	A-2716	42804L
37	Mahogany Met.	4759	2864	A-2931G	44131LM
64	Buckskin Met.	4785	2869	A-2938	44180L
33	Dk. Green Met.	4888	2877	A-2993	44171LH

1977 CORVETTE PAINT COLORS

COLOR NAME	CODE	BODY PLATE PAINT OR TRIM CODE	DITZLER	DUPONT	RINISHED- MASON	
EXTERIOR	CODE					
Corvette Classic White	10		8631	5040-L	A-1802	
Antique White	11		2058	5338-L	A-2080	
Silver	13		2957	44716-L	A-8080	
Medium Gray	16		2954	44723-L	A-8681	
Black	19		9300	99-L	A-945	
Light Blue	21		2815	44133-L	A-2929	
Light Blue	22		2955	44171-L	A-8682	
Corvette Light Blue	26		2957	44725-L	A-8683	
Corvette Dark Blue	28		2958	44726-L	A-8684G	
Dark Blue	29		2959	44718-L	A-8685	
Light Lime	32		2960	44771-LH	A-8685F	
Firehorn	36		2811	43953-LM	A-2916F	
Dark Aqua	38		2961	44714-L	A-8687	
Medium Green	44		2964	44719-LH	A-8690	
Dark Blue Green	48		2965	44720-LH	A-8691	
Cream Gold	50		2884	44178-L	A-2996	
Bright Yellow	51		2094	44139-LH	A-2936D	
Corvette Yellow	52		2980	44827-LH	A-8693F	
Light Buckskin	61		2869	44713-L	A-2999	
Buckskin	63		2970	44727-L	A-8695D	
Bright Orange	64		2968	44790-LH	A-8696R	
Corvette Orange	66		2956	44775-LM	A-8775	
Brown	69		2972	44721-LH	A-8698F	
Red	72		2973	44770-LH	A-8699F	
Light Red	75		2546	5485-LM	A-2650F	
Orange	78		2976	44715-LM	A-8702F	
Corvette Tan Buckskin	80		2978	44772-L	A-8704	
Corvette Dark Red	83		179	44727-LM	A-8705F	
Medium Blue	85		2580	44724-L	A-8776	
INTERIOR COLORS		CORVETTE TRIM COMBINATIONS	GLOSS			
White			SG	8855	9625-L	A-4402
Black			SG	9387	99-L	A-4401
			Flat			A-4400
Dark Blue			SG	15075	43615-LH	A-8752
Medium Saddle			SG	23797	10003-L	
Dark Brown			SG	24104	43620-LH	A-4728
Light Buckskin			SG	24174	43963-LH	A-4720
Dark Gray			SG	33034	9982-L	
			Flat		10005-LH	A-4409
Light Gray			SG		43622-L	
Light Smoke Gray			SG	33187	43964-L	A-2901
Medium Red			SG	72246	44267-LH	A-8760R
Dark Red			SG		44266-LH	
			Flat		44268-LM	

1978 CORVETTE PAINT COLORS

COLOR NAME		BODY PLATE PAINT OR TRIM CODE	DITZLER	DUPONT	RINISHED-MASON
EXTERIOR	CODE				
Dark Gray Poly	07	(Two-Tone)	2862	44146	A2928
Classic White	10		8631	5040	A1802
Silver Poly	13		2953	44716	A8680
Black	19		9300	99	A946
Frost Blue	26		3080	45208	A9373
Yellow	52		3072	45276	A9484F
Frost Beige	59		3087	45205	A9380
Red	72		2973	44770	A8699F
Mahogany Poly	82		2864	44131	A2931G
Dark Blue Poly	83		3074	45209	A9393
Brown Poly	89		2656	42804	A2716
INTERIOR COLORS		TRIM COMBINATION NUMBER			
Oyster White	12		90101		
Black	19		9387	99	
Midnight Blue	29		15173	45237	
Dark Brown	69		24104	43620	
Light Doeskin	59		24536	45236	
Saffron	76		24537	45233	
Light Gray	16		33291	45225	
Medium Red	72		72246	44267	
UPPER INSTR. PNL. COLOR					
Black			9317		

1979 CORVETTE PAINT COLORS

Color Name	Code	Ditzler	Dupont	Finished-Mason
Classic White	10	8631	5040	A1802
Silver Metallic	13	2953	44716	A8680
Black	19	9300	99	A946
Frost Blue	28	3080	45208	A9373
Yellow	52	3072	45276	A9484F
Dark Green Metallic	58		45834	A9808
Frost Beige	59	3087	45205	A9380
Hilton Brown Metallic	67	2656	42804	A2716
Medium Red	72	2973	44770	A8699F
Dark Blue Metallic	83	3074	45209	A9393

1980 CORVETTE PAINT COLORS

COLOR NAME	CODE	DITZLER	DUPONT	RENISHED-MASON
Classic White	10	8631	5040	A1802
Silver Metallic	13	2953	44716	A8680
Black	19	9300	99	A946
Dark Claret Metallic	76			
Yellow	52	3072	45276	A9484F
Dark Green Metallic	58		45834	A9808
Frost Beige	59	3087	45205	A9380
Hilton Brown Metallic	67	2656	42804	A2716
Medium Red	83	3074	45209	A9393
Dark Blue Metallic	28	3080	45208	A9373

1981 CORVETTE PAINT COLORS

COLOR NAME	CODE	DITZLER	DUPONT	RENISHED-MASON
White	10	*8631	5040	*1802
Silver Metallic	13	*2953	44716	*8680
Black	19	*9300	99	*A946
Brk Blue Metallic	24	3340		12205G
Dark Blue Metallic	28	*3074	45209	*12206D
Yellow	52	*3236	B8054	*11434V
Frost Beige	59	*3087	45205	*9380
Red	75	3332	B8115	12229V
Maroon Metallic	79	3341	B8126	12232V
Charcoal Metallic	84	*3223	B8012	*11421

* — Carry Over Color

1982 CORVETTE PAINT COLORS

COLOR NAME	CODE	DITZLER	DUPONT	RINSHED MASON
White	10	8631	5040	
Silver Met	13	3402	B8262	12650D
Black	19	9300	99	A 946
Silver Blue Met	24	3409	B8285	12657D
Dk Blue Met	26	3410	B8291	12658D
Brk Blue Met	31	3413	B8287	12660D
Charcoal Met	39	3414	B8265	12661D
Silver Green Met	40	3415	B8286	12662
Gold Met	56	3426	B8288	12673G
Silver Beige Met	59	3429	B8290	12700
Dk Claret	99	3452	B8266	8763

GM PRODUCTION OPTIONS

RPO	FY	LY	DIVISIONAL RPO DESCRIPTION	WDDGM RPO DESCRIPTION
AA3	82	84	GLASS,DEEP TINT	W/DEEP TINT GLS(AA3)
AB1	84	84	WINDOW,RR QUARTER,W/ORNAMENTAL ILLUMINATION	W/RR QTR WDO(AB1)
AB3	84	84	SEATING ARRANGEMENT SIX PASSENGER	W/AB3
AB5	82	84	LOCK,SI DR ELEC(KEY ACTIVATED)	W/ELEC DR LK(AB5)
AB5	82	84	WINDOW,RR INSERT	W/RR WDO INSERT(AB5)
AB7	76	81	WINDOW,LOUVERED QUARTER	W/LUV WDO(AB7)
AB7	84	84	WINDOW,HINGED TAILGATE	W/T/GATE WDO(AB7)
AB8	76	83	WINDOW,RR QTR FORMAL STYLE	W/FORMAL WDO(AB8)
AC1	76	84	ADJUSTER,6-WAY PWR,PASS ST	W/6-WAY(AC1)
AC2	76	84	GLASS,SLDG WDO RT FRT DR	W/SLDG WDO GLS(AC2)
AC3	76	84	ADJUSTER,6-WAY PWR BKT,DRIVER ST	W/6-WAY(AC3)
AC6	76	81	ADJUSTER,6 WAY PWR BKT,PASS	W/6-WAY PASS(AC6)
AD2	76	81	PROP,HOLD OPEN,RR COMPT FLOOR	W/COMPT HOLD OPEN PROP(AD2)
AD3	76	84	GLASS,HGE RF WDO	W/HGE RF WDO GLS(AD3)
AD5	76	84	GLASS,SI WDO,RR SLDG	W/SLDG SI WDO GLS(AD5)
AD7	76	81	WINDOW,RR QTR TEARDROP,LESS LOUVERS	W/TEARDROP WDO LESS LUV(AD7)
ADB	76	84	CHECK,RR DR	W/RR DR CHK(ADB)
AD9	82	84	ADJUSTER,2-WAY PWR,DRIVER ST	W/2-WAY(AD9)
AE1	76	81	GLASS,RF PNL,REMOVABLE	W/REM RF GLS(AE1)
AE2	76	81	GLASS,RF PNL,REMOVABLE,W/MLDG & MAN GLS	W/REM RF GLS(AE2)
AF2	84	84	GLASS,FIXED SIDE-LH(UTILITY BODY)	W/AF2
AF3	84	84	GLASS,FIXED SIDE-RH(UTILITY BODY)	W/AF3
AF4	82	84	ADJUSTER,6-WAY MAN,DRIVER & PASS	W/6-WAY(AF4)
AF5	82	84	SEAT ASM,EASY ENTRY,PASS	W/AF5
AF6	84	84	SEAT ASM,FRONT BENCH,2 PASS	W/AF6
AF7	84	84	SEAT ASM,FRT BH,SPT BK,W/CTR A/RST,2 PASS	W/AF7
AF9	84	84	SEAT ASM,RECLINING BUCKET,PASS & DR	W/AF9
AG1	76	84	ADJUSTER,6-WAY PWR,DRIVER ST(60-40)(VAR 2)	W/6-WAY(AG1)
AG2	76	84	ADJUSTER,6-WAY PWR,PASS ST(60-40)(VAR 3)	W/6-WAY(AG2)
AG3	82	84	ADJUSTER,2 POS MEMORY	W/2 POS MEMORY(AG3)
AG6	82	84	ADJUSTER,2-WAY MAN,PASS ST	W/2-WAY(AG6)
AG7	76	81	ADJUSTER,6-WAY PWR,DRIVER 50-50	W/6-WAY(AG7)
AG8	82	83	ADJUSTER,2-WAY MAN,DRIVER ST	W/2-WAY(AG8)
AH4	82	83	SEAT ASM,EASY ENTRY,DRIVER	W/AH4
AH5	82	83	SEAT ASM,EASY ENTRY,PASS	W/AH5
AH6	82	84	GLASS,BK DR(COMMERCIAL BODY)	W/AH6
AH7	82	84	GLASS,FRT WDO(COMMERCIAL BODY)	W/AH7
AH8	82	84	GLASS,SI ACCESS LH DR(COMMERCIAL BODY)	W/AH8
AH9	82	84	GLASS,SI ACCESS RH DR(COMMERCIAL BODY)	W/AH9
AJ1	76	81	GLASS,ONE WAY	W/ONE WAY GLS(AJ1)
AJ1	82	84	GLASS,DEEP TINT	W/DEEP TINT GLS(AJ1)
AJ2	82	84	SEAT ASM,JUMP	W/AJ2
AJ4	76	84	SEAT BELT GUIDE LOOP(EXPORT)	W/AJ4 (EXPORT)
AJB	76	84	SEAT ASM,FRT TRAVEL BED	W/AJB
AJ9	76	84	SEAT ASM,CTR RR TRAVEL BED	W/AJ9
AK1	76	84	BELTS,FRT CTR,RR ST & FRT SHLDR(DLX)	W/DLX BELTS(AK1)
AL4	76	81	SEAT,RR BKT SWIVEL	W/AL4
AM3	84	84	SEAT ASM,FRT BENCH,FULL BK,W/CTR A/RST	W/AM3
AM4	84	84	SEAT ASM,FRT BENCH,SPL BK,W/O CTR A/RST	W/AM4
AM6	76	84	SEAT ASM,FRT SPLIT W/CTR ARM REST(60-40)	W/AM6
AM7	76	84	SEAT ASM,RR FLDG	W/AM7
AM8	76	81	SEAT ASM,RR FOLDING AUXILIARY	W/AM8
AM9	76	84	SEAT ASM,RR SPLIT BACK FOLD DOWN	W/AM9
AN1	76	81	SEAT ASM,BENCH FOLDING	W/AN1
AN5	76	84	SEAT ASM,FRT SPLIT,PASS RECL(40-40)	W/AN5
AN6	76	81	SEAT BACK,ADJ DRIVER SIDE	W/ADJ D/ST BK(AN6)
AN7	76	83	SEAT ASM,FRT BKT(SWIVEL)	W/AN7
AP7	76	84	PARTITION,SLDG(PLYWOOD)(UNION CITY BODY)	W/SLDG PART(AP7)
AQ3	76	84	SEAT ASM,CTR RR	W/AQ3
AQ4	76	84	SEAT ASM,RR	W/AQ4
AQ9	76	84	SEAT ASM,FRT BKT,PASS RECL	W/AQ9
AR3	76	81	AIR CUSHION RESTRAINT	W/AR3
AR4	76	81	RESTRAINT SYSTEM,SEAT BELT & SHLDR HARNESS	W/AR4
AR5	76	81	SEAT ASM,FRT BKT W/RECL	W/AR5
AR6	76	84	RESTRAINT SYSTEM,FRT ST(DIV 1-2-3-4 EXPORT)	W/AR6 (EXPORT)
AR6	76	84	RESTRAINT SYSTEM,FRT ST(DIV 6)	W/AR6
AR7	76	81	SEAT ASM,BKT	W/AR7
AR9	76	84	SEAT ASM,FRT BKT RECL(EUROPEAN STYLE)	W/AR9
AS1	82	84	SEAT ASM,HIGH BACK BKT,DRIVER	W/AS1
AS2	82	84	SEAT ASM,HIGH BACK BKT,PASS	W/AS2
AS3	76	84	SEAT ASM,RR	W/AS3
AS5	84	84	SEAT ASM,FRT BUCKET DELUXE	W/AS5
AS7	76	84	SEAT ASM,FRT SPLIT (45-45)	W/AS7

GM PRODUCTION OPTIONS

RPO	FY	LY	DIVISIONAL RPO DESCRIPTION	WDOGM RPO DESCRIPTION
AS8	76	84	BELTS W/RETR.FRT ST & SHLDR	W/AS8
AT5	76	84	SEAT ASM,CTR FLDG(SUBURBAN)	W/AT5
AT6	76	84	BACK,PASS MAN RECL ST	W/MAN RECL(AT6)
AT8	76	84	SEAT ASM,FRT SPLIT ADJ RECL(50-50)	W/AT8
AU2	76	84	LOCK,CARGO DR	W/CARGO DR LK(AU2)
AU3	76	84	LOCK,SI DR ELEC	W/ELEC DR LK(AU3)
AU4	76	84	LOCK,SI DR AUTO ELEC	W/ELEC DR LK(AU4)
AU5	76	83	LOCK,FRT ST BACK & DR,ELEC	W/ELEC ST & DR LK(AU5)
AU6	76	84	LOCK,TAILGATE REL,ELEC	W/ELEC T/GATE LK(AU6)
AV2	76	83	CAMPER HOLD DOWN EQUIPMENT	W/CAMPER HOLDN(AV2)
AV3	84	84	FASTENER,CARGO TIE DOWN	W/AV3
AV5	76	84	SEAT ASM,HIGH BACK BKT	W/AV5
AV7	76	84	SEAT ASM,FRT SPLIT,NON-RECL(50-50)	W/AV7
AV9	76	81	SEATING REQUIREMENTS,JAPAN(EXPORT)	W/AV9(EXPORT)
AW2	83	83	ADJUSTER,6-WAY MANUAL,DRIVER SIDE	W/6-WAY(AW2)
AW3	83	83	ADJUSTER,6-WAY MANUAL,PASSENGER SIDE	W/6-WAY(AW3)
AW4	76	84	LINK,SLDG RR SI DR EXTENDER	W/AW4
AW5	82	84	SEATING REQUIREMENTS,EXPORT RELOCATION	W/AW5(EXPORT)
AW9	82	84	SECURITY GROUP,QTR STOW & LUG COMPT	W/SECURITY GRP(AW9)
AX3	84	84	KEYLESS ENTRY SYSTEM	W/AX3
AX4	82	84	BELTS,ST & FRT SHLDR HARN(EXPORT)	W/AX4(EXPCRT)
AX5	82	84	PARTITION,EXPANDED METAL,DRIVERS SI	W/AX5
AX6	82	84	PARTITION,EXPANDED METAL,W/RH SLDG DR	W/AX6
AX7	82	84	PARTITION,EXPANDED METAL,W/CTR SLDG DR	W/AX7
AX8	82	83	SEAT ASM,BKT PEDESTAL,W/ST BELTS,DRIVER	W/AX8
AX9	82	84	LATCH,RR CARGO DR	W/R,CARGO DR LAT(AX9)
AY9	82	84	ADJUSTER,6-WAY PWR,SPLIT ST	W/6-WAY(AY9)
A01	76	84	GLASS,TINTED(ALL WDO5)	W/TNTD GLS(A01)
A02	76	84	GLASS,TINTED(W/S SHADED UPR)	W/TNTD W/S GLS(A02)
A07	76	84	GLASS,BODY	W/BODY GLS(A07)
A08	76	84	GLASS,BODY RH SI	W/RH BODY GLS(A08)
A12	76	84	GLASS,RR DR,FIXED	W/BK DR GLS(A12)
A13	76	84	GLASS,SI DR,FIXED	W/SI DR GLS(A13)
A17	82	84	GLASS,LH SWING OUT	W/SWING OUT GLS(A17)
A18	76	84	GLASS,DR SWING OUT	W/SWING OUT GLS(A18)
A19	76	84	GLASS,SI RR DR SWING OUT	W/SWING OUT GLS(A19)
A20	76	84	GLASS,RR QTR VENT SWING OUT	W/SWING OUT GLS(A20)
A26	76	84	UNITED KINGDOM & EUROPEAN GLAZING	W/A26(EXPORT)
A28	76	84	GLASS,RR WDO SLDG	W/SLDG RR WDO(A28)
A31	76	84	WINDOW,ELEC CONT	W/ELEC WDO(A31)
A32	76	84	WINDOW,ELEC OPERATED FRT DR	W/ELEC WDO(A32)
A33	76	84	WINDOW,ELEC CONT T/GATE	W/ELEC T/GATE WDO(A33)
A40	76	81	WINDOW,ELEC OPERATED RR VENT	W/ELEC RR VENT(A40)
A42	76	84	ADJUSTER,6-WAY PWR ST	W/6-WAY(A42)
A44	76	81	ADJUSTER,2-WAY MAN,BKT ST	W/2-WAY BKT(A44)
A51	76	84	SEAT ASM,FRT BKT	W/A51
A52	76	84	SEAT ASM,FRT BENCH	W/A52
A53	83	83	ADJUSTER,6-WAY MAN DRIVER & 2-WAY MAN PASS	W/6-WAY & 2 WAY(A53)
A57	76	84	SEAT ASM,AUX PASS	W/A57
A65	76	84	BACK,FRT ST W/CTR ARM REST,SPLIT ST	W/A65
A70	76	84	WINDOW,REM CONT RR VENT	W/REM CONT RR VENT(A70)
A75	76	84	CUSHION,W/BK SPR,H.D. FRT ST	W/H.D. FRT ST(A75)
A76	76	84	CUSHION,W/BK SPR,H.D. RR ST	W/H.D. RR ST(A76)
A77	76	81	AUTO SEAT BELT RESTR SYSTEM (3 POINT)	W/A77
A78	76	84	BACK,RECL/PASS ST & DRIVER ST MAN	W/MAN RECL(A78)
A79	76	84	BACK,MAN RECL,DRIVER ST	W/MAN RECL(A79)
A80	76	84	BACK,ELEC RECL,DRIVER ST	W/DR ELEC RECL(A80)
A81	76	84	BACK,ELEC RECL,PASS ST	W/PASS ELEC RECL(A81)
A90	76	84	LOCK,RR COMPT LID,REM CONT,ELEC REL	W/ELEC COMPT LID(A90)
A91	76	84	PULLDOWN,RR COMPT LID	W/DECK LID PULLDOWN(A91)
A93	76	84	LOCK,QTR STOW COMPT	W/STOW COMPT LK(A93)
A95	82	84	SEAT ASM,FRT BKT,HI-BK RECL,DRIVER & PASS	W/A95
A96	76	84	LOCK,LUG & SPA TIRE COMPT	W/LUG COMPT LK(A96)
A99	76	81	LOCK,I/P COMPT	W/G/BX LK(A99)
B48	76	84	COMPARTMENT,FRT ST STOR	W/FRT ST STOR CUMPT(B48)
BB4	76	81	INTERIOR ORNAMENTATION,DR TR PNL MAP PKT	W/MAP PKT & REFL(BB4)
BB5	76	84	INTR ORNA,HEADLINER(TRUCK)	W/INTP ORNA(BB5)
BB8	76	84	MOLDING,DR TR	W/DR TR MLDG(BB8)
BC1	76	81	INTERIOR ORNAMENTATION,BRUSHED ALUMINUM	W/BRUSHED ALUM(BC1)
BC1	82	84	PANEL,INSTR(PARK AVE)	W/PK AVE I/P(BC1)
BC2	76	81	INTERIOR ORNAMENTATION,WDOGRN INST CLUSTER	W/WDOGRN I/P(BC2)
BC2	92	83	PANEL,INSTR(ELECTRA EST WAGON)	W/ELECTRA EST I/P(BC2)

GM PRODUCTION OPTIONS

RPO	FY	LY	DIVISIONAL RPO DESCRIPTION	WDDGM RPO DESCRIPTION
BC3	76	84	PANEL, INSTR(DLX)	W/DLX I/P(BC3)
BC5	76	81	INTERIOR ORNAMENTATION, LOAD COMPT PNLS CPTD	W/CPTD LOAD FLR(BC5)
BC8	84	84	INTERIOR ORNAMENTATION, DOOR POCKET(RH & LH)	W/DR PKT ORNA(BC8)
BD1	84	84	MOLDING, ROCKER PNL (DELETE)	(EXC RKR PNL MLDG)
BE1	84	84	INTERIOR ORNAMENTATION (EXPORT)	W/INT ORNA(BE1)(EXPORT)
BF2	76	84	CARPET, DLX	W/DLX CPT(BF2)
BF3	82	84	MATS, STEPWELL	W/BF3
BF4	84	84	CARPET, CUSTOM	W/CUST CPT(BF4)
BF9	76	81	INSULATOR & PAD, FLR MAT	W/BF9
BG3	82	83	FILLER, RR FLR PNL	W/BG3
BG7	76	81	CARPET, WHEELHOUSE	W/W/H CPT(BG7)
BG9	76	81	MA: RUBBER, FRT & RR	W/RBR MAT(BG9)
BS1	76	84	INSULATION, ACOUSTICAL	W/INSL(BS1)
BS2	76	84	INSULATION, ACOUSTICAL(SPL)	W/SPL INSL(BS2)
BS4	84	84	INSULATOR, CAB BACK PANEL	W/CAB BK INSL(BS4)
BS6	84	84	DOOR SEAL, AUXILIARY	W/AUX OR SEAL(BS6)
BT1	76	81	POLICE CAR	W/POLICE(BT1)
BV1	76	81	MOLDING, SI WDO RVL, BRIGHT & PAINTED	W/WDO RVL MLDG(BV1)
C 2	76	84	MOLDING, COMPT LID	W/COMPT LID MLDG(BV2)
BV3	84	84	INTERIOR ORNAMENTATION, I/P (BLACK)	W/I/P ORNA(BV3)
BV6	84	84	CYLINDER, PAINTED DOOR LOCK	W/BV6
BV7	84	84	APPLIQUE, PILLAR (DELETE)	(EXC P/R APLO)
BV8	82	84	HANDLE, OR(DLX)	W/DLX I/R HDL(BV8)
BV9	82	83	MOLDING, SI(DLX)	W/DLX I MLDG(BV9)
BW1	82	84	ORNAMENTATION, RR END EXTR	W/EXTF ORNA(BW1)
BW2	76	84	MOLDING, BODY SI(DLX)	W/BODY SI MLDG(BW2)
BW3	84	84	EXTERIOR ORNAMENTATION, ROOF WDO TR(PAINTED)	W/RR WDO EXTR ORNA(BW3)
BW5	76	81	EXTERIOR ORNAMENTATION, SIM ROLL BAR	W/ROLL BAR(BW5)
BW6	76	81	EXTERIOR ORNAMENTATION, BODY SI DECOR	W/BODY SI DECOR(BW6)
BW7	76	84	APPLIQUE, PLR	W/PLR APLO(BW7)
BX1	76	84	ORNAMENT, FRT END SPL EXTR	W/SPORT PKG(BX1)
BX2	76	84	MOLDING, BODY SI LWR (WIDE)	W/BODY SI WIDE LWR(BX2)
BX3	76	84	ORNAMENTATION, WOODGRAIN EXTR	W/WDGRN(BX3)
BX4	76	84	MOLDING, BODY SI	W/BODY SI MLDG(BX4)
BX5	76	84	MOLDING, RR GRIP(PAINTED)	W/BX5
BX6	76	84	ORNAMENTATION, MOLDING & APPLIQUE EXTR	W/EXTR ORNA(BX6)
BX8	76	84	MOLDING, FRT FDR BODY SI(TAILGATE)	W/BX8
BX9	76	84	ORNAMENT, FRT END PNL & MLDG(HOOD)	W/EXTR ORNA(BX9)
BY1	76	84	EMBLEM, BODY	W/BODY EMB(BY1)
BY3	76	81	HEADLINER, HARDBOARD FOAM & PERFORATED VNL	W/CJST HDLNG(BY3)
BY4	84	84	ORNAMENTATION, I/P MONOGRAM(GRAND NATIONAL)	W/GRAND NATIONAL I/P ORNA(BY4)
BY8	76	84	ORNAMENT, FRT DECOR PLT EXTR	W/EXTR ORNA(BY8)
BIQ	76	81	LOCK, TAILGATE, PWR	W/ELEC T/GATE LK(BIQ)
B22	76	81	APPEARANCE PACKAGE	W/B22
B3D	76	84	SCHOOL BUS EQUIPMENT	W/B3D
B3J	84	84	DIESEL EQUIPMENT PKG	W/B3J
B3M	76	84	SCHOOL BUS EQUIPMENT, DLX	W/B3M
B4Q	84	84	STEERING COLUMN, TILT (DELETE)	(EXC TILT WHL)(EXPORT)
B4T	84	84	GLASS, EUROPEAN (DELETE)	(EXC EUROPEAN GLS)(EXPORT)
B4W	84	84	WINDOW, POWER OPERATED	W/B4W(EXPORT)
B4X	76	81	SPORT APPEARANCE PACKAGE	W/SPORT PKG(B4X)
B5Q	82	83	EMISSION SYSTEM, CALIF BACK-UP	W/B5Q
B5R	76	81	ALUMINUM MANIFOLD	W/ALUM MANIF(B5R)
B5T	82	83	EMISSION SYSTEM, BACK-UP	W/B5T
B5Y	82	84	CLUSTER, ELEK (BACK-UP SYSTEM)	W/B5Y
B7K	82	83	INJECTION, ELEK FUEL(2-PORT, W/O CONVR)	W/B7K
B7L	82	83	INJECTION, ELEK FUEL(8-PORT, W/CONVR)	W/B7L
B7M	82	83	INJECTION, ELEK FUEL(8-PORT, W/O CONVR)	W/B7M
B02	76	81	SPECIAL BODY, TAXI CAB	W/TAXI(B02)
B05	82	84	ARMORED VEHICLE MODIFICATIONS	W/B05
B07	76	81	SPECIAL BODY, POLICE CAR(VAR 2)	W/POLICE(B07)
B09	76	81	POLICE GROUP, FREEWAY ENFORCER	W/POLICE(B09)
B18	76	84	ORNAMENT, DLX INTR	W/B18
B19	76	84	ORNAMENTATION, CUSTOM INTERIOR	W/CUST INT ORNA(B19)
B20	76	84	ORNAMENT, LUX INTR	W/B20
B22	76	83	EMBLEM, DR INR PNL	W/B22
B23	84	84	SPOILER, RR WHL OPENING	W/RR WHL SPLR(B23)
B24	84	84	MOLDING, SI WDO RVL	W/WDO RVL MLDG(B24)
B25	82	84	TRIM, LUG COMPT(DLX)	W/DLX COMPT TR(B25)
B26	76	84	ORNAMENT, INTERIOR FRT DOOR HANDLE	W/B26
B28	76	81	MAT, FRT & RR FLR	W/B28
B29	82	84	ORNAMENT, INTERIOR RR DOOR HANDLE	W/B29
B30	76	84	CARPET, FLR & WHLHSE	W/B30

GM PRODUCTION OPTIONS

RPO	FY	LY	DIVISIONAL RPO DESCRIPTION	WDDGM RPO DESCRIPTION
B32	76	84	MAT FRT FLR	W/B32
B33	76	84	MAT RR FLR	W/B33
B34	76	84	MATS FRT FLR(CARPET INSERT)	W/B34
B35	76	84	MATS RR FLR(CARPET INSERT)	W/B35
B36	76	84	MAT LUG COMPT	W/B36
B37	76	84	MAT FRT & RR	W/B37
B39	76	84	CARPET LOAD FLR	W/CPT LOAD FLR(B39)
B42	76	83	MAT LUG COMPT FLR CVR	W/COMPT FLR MAT(B42)
B44	76	81	CARPET LOAD FLR LOOSE	W/CPTD LOAD FLR(B44)
B46	76	84	TRIM SPL ORDER EQUIPMENT	W/SPL TR(B46)
B48	76	82	TRIM LUG COMPT(DLX)	W/DLX COMPT TR(B46)
B49	76	81	COVERING FRT & RR FLR DLX CARPET	W/FRT & RR FLR CPT(B49)
B51	76	84	MOLDING RKR PNL(EXTRA WIDE)	W/WIDE MLDG(B51)
B53	76	84	MAT FRT FLR(CARPET INSERT)(DLX)	W/B53
B54	82	84	MAT RR FLR(CARPET INSERT)(DLX)	W/B54
B56	76	84	MOLDING RKR PNL EXTRA WIDE(BLACK)(DLX)	W/WIDE MLDG(B56)
B57	76	84	TRIM EXTR DLX	W/DLX EXTR TR(B57)
B65	76	83	COVERING FLR & SI WALL-TRUNK COMPT	W/LUG COMPT LNG(B65)
B69	76	81	INSULATOR, ROOF	W/RF INSL(B69)
B71	76	84	MOLDING WHL OPG(CUSTOM)	W/B71
B72	76	84	MOLDING BELT REVEAL PAINTED	W/B72
B74	76	84	MOLDING WHL OPG(BLACK)	W/WHL OPG MLDG(B74)
B75	76	84	LINING LUG COMPT	W/LUG COMPT LNG(B75)
B77	76	84	MOLDING W/S RVL	W/W/S RVL MLDG(B77)
B79	76	84	ORNAMENTATION RR END EXTR	W/RR END ORNA(B79)
B80	76	84	MOLDING RF DRIP	W/DRIP MLDG(B80)
B81	84	84	MOLDING BODY SI (DELETE)	(EXC BODY SI MLDG)
B82	84	84	EMBLEM BODY (DELETE)	(EXC BODY EMB)
B83	76	84	MOLDING RKR PNL	W/RKR PNL MLDG(B83)
B84	76	84	MOLDING BODY SI	W/BODY SI MLDG(B84)
B85	76	84	MOLDING BODY SI(LT TRUCK)	W/BODY SI MLDG(B85)
B85	76	84	MOLDING BELT RVL(PASS CAR)	W/BELT RVL(B85)
B86	76	81	MOLDING BODY RR	W/SI QTR LWR MLDG(B86)
B86	76	84	MOLDING BODY SI(CUSTOM)	W/BODY SI MLDG(B88)
B89	76	84	MOLDING BK WOO RVL	W/BK WOO RVL MLDG(B89)
B90	76	84	MOLDING SI WOO RVL	W/SI WOO RVL MLDG(B90)
B91	76	81	MOLDING BODY SI UPR	W/BODY SI MLDG(B91)
B91	82	84	MOLDING DR EDGE GUARD(SPL)	W/MLDG(B91)
B93	76	84	MOLDING DR EDGE GUARD	W/MLDG(B93)
B94	76	84	EMBLEM BODY(VAR 1)	W/BODY EMB(B94)
B95	76	81	LOUVER BODY SI	W/BODY LJV(B95)
B96	76	84	MOLDING WHL OPG	W/WHL OPG MLDG(B96)
B97	76	84	SPOILER RR FOR	W/RR WHL SPLR(B97)
B98	76	81	MOLDING SI TRIM TRUCK	W/BODY SI MLDG(B98)
B99	84	84	MOLDING WHL OPG (DELETE)	(EXC WHL OPG MLDG)
CA1	76	83	ROOF STEEL SLDG SUN ELEC	W/ELEC SUN RF(CA1)
CA2	76	84	COVERING EXTR SOFT TR RF-DELETE	(EXC VNL RF)
CA9	76	83	ROOF VINYL PADDED FULL TOP(HALO TYPE)	W/FULL VNL(CA9)
CB4	76	84	ROOF VINYL PADDED RR HALF(LANDAU)	W/RR VNL(CB4)
CB5	76	84	ROOF VINYL PADDED FULL TOP	W/FULL VNL(CB5)
CB6	76	81	ROOF VINYL PADDED W/HALO MLDG FULL TOP	W/HALO TOP(CB6)
CB7	76	84	ROOF VINYL PADDED LANDAU-FRONT	W/FRT VNL(CB7)
CB8	76	81	TOP REMOVABLE	W/REM TOP(CB8)
CC1	76	84	PANELS GLS RF HATCH REMOVABLE	W/HATCH RF(CC1)
CC2	76	81	ROOF VINYL PADDED REAR HALF	W/RR VNL(CC2)
CC3	82	84	ROOF REMOVABLE PNL(TRANSPARENT PLASTIC)	W/CLEAR RF PNL(CC3)
CD2	76	84	INDICATOR LOW WSWA FLUID	W/LOW FLUID IND(CD2)
CD4	76	84	WASHER & WIPER PULSE W/S	W/PULSE WPR(CD4)
CE4	84	84	WASHER HEADLAMP HIGH PRESSURE	W/CE4
CF4	76	81	ROOF GLS SLDG SUN MANUAL	W/SUNRF(CF4)
CF5	76	84	ROOF GLS SLDG ELEC(ASTRO)	W/ASTRO RF(CF5)
CF8	82	84	ROOF VNL(SIMULATED CONVERTIBLE)	W/SIMULATED CONVR(CF8)
CG1	76	81	PILLAR NARROW BODY LOCK	W/NARROW BODY LK PLR(CG1)
CH1	76	83	COMPRESSOR AXIAL 6-CYL	W/AXIAL COMPR 6-CYL(CH1)
CH2	76	83	COMPRESSOR RADIAL 4-CYL	W/RADIAL COMPR 4-CYL(CH2)
CO1	76	84	ORNAMENT BODY EMBLEM EXTR	W/EXTR ORNA(CO1)
CO4	76	84	ROOF VINYL PADDED RR HALF(LANDAU)	W/RR VNL(CO4)
CO5	76	81	TOP CONVERTIBLE FOLDING	W/FLDG TOP(CO5)
CO5	82	84	TOP CONVERTIBLE	W/CONVR(CO5)
CO6	76	81	ROOF ASTRO VIEW & SIMULATED ROLL BAR MLDG	W/ASTRO RF(CO6)
CO9	76	84	ROOF VINYL PADDED FULL T P	W/FULL VNL(CO9)
C10	76	81	BIARRITZ	W/BIARRITZ(C10)

GM PRODUCTION OPTIONS

RPO	FY	LY	DIVISIONAL RPO DESCRIPTION	WDDGM RPO DESCRIPTION
C10	84	84	ROOF VINYL PADDED SPECIAL LANDAU	W/SPL VNL(C10)
C16	76	84	WIPER & BLADE W/S(BLACK)	W/C18
C21	82	83	WIPER & BLADE W/S(PAINTED)	W/C21
C26	76	84	WASHER & WIPER, RR WDO	W/RR WDO WPR(C25)
C38	76	84	HEATER AUX	W/AUX HTR(C36)
C40	84	84	HEATER STANDARD(ELECTRONIC)	W/ELEK CONT HTR(C40)
C41	76	84	HEATER W/DEFR. O/S AIR	(EXC A C.)
C42	76	84	HEATER W/DEFR. H D	W/HTR(C42)
C43	76	83	TAILGATE, STL	W/STL T/GATE(C43)
C44	76	84	TAILGATE, PLSTC	W/PLSTC T/GATE(C44)
C46	82	84	HEATER, HIGH CAPACITY	W/HTR(C46)
C49	76	84	DEFOGGER, RR WDO ELEC	W/ELEC DEFG(C49)
C50	76	81	DEFOGGER, RR WDO	W/BLO DEFG(C50)
C51	76	84	DEFLECTOR, AIR	W/AIR DEFL(C51)
C55	76	84	VENTILATOR, RF	W/RF VENT(C55)
C56	84	84	VENTILATOR, FORCED AIR RIGHT SIDE	W/RF AIR VENT(C56)
C60	76	84	AIR CONDITIONER VAN CONT	W/A C. (C60)
C61	76	83	AIR CONDITIONER, AUTO CONT	W/A C. (C61)
C62	76	81	AIR CONDITIONER, FRT INSTAL, FLR MTD	W/A C. (C62)
C65	76	84	AIR CONDITIONER, TEMP/MATIC CONT	W/A C. (C65)
C67	84	84	AIR CONDITIONING, ALL WEATHER(ELECTRONIC)	W/A C. (C67)
C68	82	84	AIR CONDITIONER, ELEK CLIMATE CONT	W/A C. (C68)
C69	76	84	AIR CONDITIONER, OVERHEAD SYSTEM	W/A C. (C69)
C71	82	84	LAMP, FRT DR CTSY	W/FRT DR CTSY LP(C71)
C72	82	84	LAMP, RR DR CTSY	W/RR DR CTSY LP(C72)
C73	84	84	LAMP, MAN OPERATED INT(UTILITY BODY)	W/MAN LP(C73)
C80	76	84	SWITCH, FRT DOOR JAMB	W/FRT DR JAMB SW(C80)
C81	76	84	SWITCH, RR DR JAMB	W/RR DR JAMB SW(C81)
C87	82	84	LAMP, RR QTR CTSY	W/RR CTSY LP(C87)
C88	76	84	LAMP, RR COMPT CTSY	W/RR COMPT CTSY LP(C88)
C89	76	84	LAMP, RDG	W/RDG LP(C89)
C90	76	84	LAMP, CTSY & WRNG, DR	W/CTSY & WARN LP(C90)
C91	82	84	LAMP, DOME	W/DOME LP(C91)
C92	76	83	LAMP, DOME & CARGO	W/DOME & CARGO LP(C92)
C93	76	84	LAMP, OPERA-EXTR	W/OPERA LP(C93)
C94	76	83	LAMP, DELAYED DOME	W/DELAYED DOME LP(C94)
C95	76	84	LAMP, ASM, DOME & RDG	W/DOME & RDG LP(C95)
C96	76	84	LAMP, QTR CTSY & RDG	W/QTR RDG LP(C96)
C97	76	84	LAMP, DR CTSY LGT	W/DR LP LGT(C97)
DB3	84	84	SUNSHADE, W/S, W/EXTENSION	W/SUNSHADE(DB3)
DB4	84	84	SUNSHADE, W/S, W/POCKETS	W/SUNSHADE(DB4)
DD3	76	81	MIRROR, O/S RR VIEW CUST CHR	W/CHR CUST MIR(DD3)
DD4	76	83	MIRROR, O/S RR VIEW ELEC REM PASS SI	W/ELEC CHR MIR(DD4)
DD5	76	83	MIRROR, O/S RR VIEW ELEC REM DRIVER SI	W/ELEC CHR MIR(DD5)
DD7	76	83	MIRROR, W/THERM, O/S RR VIEW ELEC REM	W/THERM ILLUM MIR(DD7)
DD8	84	84	MIRROR, INSIDE RR VIEW DAY/NIGHT AUTO	W/AUTO DAY/NIGHT MIR(DD8)
DD9	82	84	MIRROR, O/S RR VIEW ELEC REM(EXPORT)	W/DD9(EXPORT)
DE1	82	84	LOUVER, SUNSHIELD	W/DE1
DE6	84	84	SUNSHADE, W/S, WITHOUT EXTENSION	W/SUNSHADE(DE6)
DE7	82	84	MIRROR, O/S RR VIEW REM BREAKAWAY(EXPORT)	W/DE7(EXPORT)
DE9	76	84	CONSOLE, FRT COMPT NON-SHIFTING	W/CNSL(DE9)
DF1	76	84	MIRROR, CAMPER(PAINTED)	W/PA CAMPER MIR(DF1)
DF2	76	84	MIRROR, CAMPER(STAINLESS)	W/CHR CAMPER MIR(DF2)
DF3	76	84	MIRROR, O/S RR VIEW REM CONT, PASS SI	W/CHR REM MIR(DF3)
DF4	76	81	MIRROR, O/S RR VIEW REM CONT, PASS SI	W/SPORT REM MIR(DF4)
DF5	76	84	MIRROR, O/S RR VIEW ELEC REM THERM ILLUM	W/THERM ILLUM MIR(DF5)
DG1	75	81	MIRROR, O/S RR VIEW, PASS SI	W/PASS SI MIR(DG1)
DG2	76	94	MIRROR, O/S RR VIEW ELEC REM	W/ELEC MIR(DG2)
DG4	76	81	MIRROR, WEST COAST TYPE SMALL	W/BELOW EYELINE MIR(DG4)
DG5	76	84	MIRROR, SENIOR WEST COAST	W/SR WEST COAST MIR(DG5)
DG6	76	81	MIRROR, O/S RR VIEW, RT & LT ELEC THERM	W/THERM MIR(DG6)
DG7	76	84	MIRROR, O/S RR VIEW ELEC REM(SPORT)	W/ELEC SPORT MIR(DG7)
DG8	82	84	MIRROR, BREAKAWAY(EXPORT)	W/DG8(EXPORT)
DH6	76	83	MIRROR, VISOR VANITY, DR & PASS	W/VISOR VAN MIR(DH6)
DJ9	76	81	MIRROR, O/S RR VIEW, CUSTOM, PASS SI	W/SPORT MIR(DJ9)
DK2	84	84	MIRROR, O/S RR VIEW ELEC REMOTE	W/ELEC MIR(DK2)
DK4	84	84	CONSOLE, FRT COMPT NON-SHIFTING(MINI)	W/CNSL(DK4)
DL1	84	84	DECAL, WINDOW (DELETE)	(EXC OLYMPIC DECAL)
DL2	76	83	DECALS & STRIPES	W/ACNT STRIPE(DL1)
DL4	84	84	DECAL, TWO-TONE PAINT SCHEME	W/ACNT STRIPE(DL2)
DL6	76	81	DECAL & STRIPES	W/DL4 W/ACNT STRIPE(DL6)

GM PRODUCTION OPTIONS

RPO	FY	LY	DIVISIONAL RPO DESCRIPTION	WDDGM RPO DESCRIPTION
DL8	82	84	MIRROR,O/S RR VIEW ELEC CONT(HTD ELEM)	W/ELEC HTD MIR(DL8)
DL9	84	84	DECAL,FRT FDR & RR QTR-BLACKOUT	W/DL9
DT4	84	84	ASH RECEPTACLE & CIGARETTE LIGHTER	W/DT4
DX1	82	84	DECAL,HOOD APPLICUE	W/DX1
DX4	76	81	FREE SPIRIT	W/FREE SPIRIT(DX4)
DX4	82	84	STRIPE,BODY SI	W/ACNT STRIPE(DX4)
DX5	76	81	STRIPE,BODY SI (BUICK)	W/NIGHT HAWK(DX5)
DX5	76	81	STRIPE,BODY SI (CHEVROLET)	W/ACNT STRIPE(DX5)
DX5	82	84	STRIPE,BODY SI(MULTI-TONE)	W/ACNT STRIPE(DX5)
DX6	76	81	STRIPE,BODY SI (3 MULTI-TONE)	W/ACNT STRIPE(DX6)
DX9	76	81	TAPE,ACCENT STRIPE	W/ACNT STRIPE(DX9)
DY1	76	83	DECALS & STRIPES	W/ACNT STRIPE(DY1)
DY2	83	87	STRIPE,ACCENT(MULTICOLOR)	W/ACNT STRIPE(DY2)
DY5	76	84	DECALS & STRIPES,DECK LID	W/DY5
DO1	82	83	PAINT,LACQUER MASTER	W/DO1
DO2	82	84	PAINT,ENAMEL MASTER	W/DO2
DO3	84	84	PAINT,WATER MASTER	W/DO3
DO5	82	84	HANDLE,INSIDE	W/DO5(EXPORT)
DO6	82	84	REST,FRT CNSL ARM	W/CNSL A/RST(DO6)
DO7	84	84	CONSOLE,FRT FLOOR(CUSTOM)	W/CUSTOM CNSL(DO7)
DO9	82	84	REST,FRT ST ARM	W/FRT ST A/RST(DO9)
D12	76	84	SHELF,RR COMPT W/H TR	W/LUX TR(D12)
D20	82	84	SUNSHADE,PASS SI	W/PASS S/S(D20)
D24	76	84	CONTAINER,LITTER	W/D24
D26	76	81	TRAY,STOWAGE ON SPARE TIRE	W/SPA TIRE STOW(D26)
D27	76	84	COVER,RR COMPT STOW	W/D27
D28	84	84	MIRROR,O/S RR VIEW (DELETE)	(EXC O/S RR VIEW MIR)
D29	76	81	MIRROR,BELOW EYELINE, JUNIOR,PAINTED	W/BELOW EYELINE MIR(D29)
D31	76	84	MIRROR,I/S RR VIEW(TILT)	W/TILT MIR(D31)
D33	76	84	MIRROR,O/S RR VIEW REM CONT LH	W/REM CHR MIR(D33)
D34	76	84	MIRROR,VISOR VAN	W/VISOR VAN MIR(D34)
D35	76	84	MIRROR,O/S RR VIEW(CUST)	W/SPORT MIR(D35)
D36	76	81	MIRROR,I/S RR VIEW,10 IN. TILT(EXPORT)	W/D36(EXPORT)
D41	76	84	TRAY,RR QTR ASH	W/D41
D42	82	84	COVER,RR COMPT SECURITY	W/RR COMPT SECURITY CVR(D42)
D43	76	81	MIRROR,I/S RR VIEW,12 IN. TILT(EXPORT)	W/D43(EXPORT)
D44	76	84	MIRROR,O/S BELOW EYELINE(PAINTED)	W/PA O/S MIR(D44)
D45	76	84	MIRROR,O/S BELOW EYELINE(STNLS STL)	W/STNLS O/S MIR(D45)
D46	82	84	MIRROR,W/CLEARANCE LGTS,WEST COAST TYPE	W/WEST COAST MIR(D46)
D47	85	85	CONSOLE,FRT COMPT FLOOR	W/CNSL(D47)
D49	76	84	MIRROR,O/S DUAL BRI	W/DUAL BRI MIR(D49)
D50	76	83	CONSOLE,FRT COMPT-DELETE	(EXC CNSL)
D53	76	81	APPLIQUE,HOOD	W/HOOD APLO(D53)
D53	82	84	DECAL,HOOD BIRD	W/D53
D55	76	84	CONSOLE,FRT COMPT FLR(VAR 1)	W/CNSL(D55)
D57	82	84	PAINT SPL TWO-TONE	W/TWO-TONE(D57)
D58	76	81	CONSOLE,FRT COMPT FLR,EXTRA LONG(VAR 3)	W/CONSL(D58)
D64	76	84	MIRROR,VISOR VAN ILLUM,RT SI	W/ILLUM VAN MIR(D64)
D65	76	81	MIRROR,O/S RR VIEW,LT SI, THERM	W/REM THERM MIR(D65)
D66	76	84	MIRROR,W/THERM,O/S RR VIEW,LT SI	W/REM ILLUM THERM MIR(D66)
D68	76	84	MIRROR,O/S RR VIEW REM CONT(SPORT)	W/SPORT REM MIR(D68)
D69	76	84	MIRROR,O/S RR VIEW REM,DRIVERS SI	W/SPORT REM MIR(D69)
D73	76	84	RAIL,HAND (PICK-UP BOX)	W/SI RAIL(D73)
D74	76	84	MIRROR,VISOR VAN,ILLUM LT SI	W/ILLUM VAN MIR(D74)
D75	76	81	DEFLECTOR,FRT AIR	W/FRT AIR DEFL(D75)
D75	84	84	EXTENSION,OUTSIDE DOOR HANDLE (EXPORT)	W/D75(EXPORT)
D78	82	84	MIRROR,O/S RR VIEW WIDE ANGLE(DUAL SYSTEM)	W/WIDE ANGLE MIR(D78)
D80	76	84	SPOILER,DECK LID RR	W/RR SPLR(D80)
D84	76	84	PAINT,TWO-TONE(CUST)	W/TWO-TONE(D84)
D85	76	81	STRIPE,BODY SI LWR ACCENT	W/ACNT STRIPE(D85)
D86	76	83	PAINT,TWO-TONE(DELUXE)	W/DLX TWO-TONE(D86)
D88	76	84	STRIPE,HOOD & DECK LID	W/ACNT STRIPE(D88)
D89	82	84	PAINT,TWO-TONE SPL DECOR	W/TWO-TONE(D89)
D90	76	84	STRIPE,FRT END & BODY SI	W/ACNT STRIPE(D90)
D91	76	83	PAINT,TWO-TONE SPL	W/TWO-TONE(D91)
D92	76	84	TAPE,DECOR(AT DR HANDLE)	W/D92
D93	82	84	PAINT,DR & WDO FRMS	W/D93
D98	76	84	STRIPE,ACNT	W/ACNT STRIPE(D98)
D99	76	84	PAINT,TWO-TONE(SPL ORDER)	W/TWO-TONE(D99)
E24	84	84	DOORS,HINGED CARGO SIDE	W/E24
E26	84	84	DOOR,LH SIDE ACCESS(UTILITY BODY)	W/E26
E27	84	84	DOOR,RH SIDE ACCESS(UTILITY BODY)	W/E27

GM PRODUCTION OPTIONS

RPO	FY	LY	DIVISIONAL RPO DESCRIPTION	WOODGM RPO DESCRIPTION
E28	82	84	HANDLE ASST	W/ASST HCL(E28)
E31	76	84	BODY, STL(10 FT)HI-CUBE VAN	W/E31
E32	76	84	BODY, STL(SQUARE)F/C PNL	W/E32
E33	76	84	BODY, ALUM(SQUARE)F/C PNL	W/E33
E34	76	84	BODY, STL(10 FT)HI-CUBE VAN	W/E34
E35	76	81	BODY, STL(12 FT)HI-CUBE VAN	W/E35
E35	84	84	PICKUP BOX, LESS TAILGATE (FLEETSIDE)	W/E35
E36	76	84	BODY, ALUM(10FT)HI-CUBE VAN	W/E36
E37	76	81	BODY, ALUM(12 FT)HI-CUBE VAN	W/E37
E37	82	84	BODY, COMMERCIAL UTILITY	W/E37
E38	76	84	BODY, STL(12 FT)HI-CUBE VAN	W/E38
E39	76	84	BODY, ALUM(12 FT)HI-CUBE VAN	W/E39
E46	82	84	DOOR, W/GLS, TRK BODY OVERHEAD RR(66 IN)	W/E46
E50	76	83	BAR, ROLL	W/ROLL BAR(E50)
E52	82	83	DOORS, RR WRAP AROUND(83 IN)	W/E52
E53	82	84	DOORS, RR WRAP AROUND(87 IN)	W/E53
E55	76	84	GATE, END(SUBURBAN)	W/E55
E56	76	83	BODY, PLATFORM W/STAKE RACK	W/E56
E62	76	84	BOX, STEPSIDE PICKUP	W/E62
E63	76	84	BOX, FLEETSIDE PICKUP	W/E63
E65	84	84	BODY, HEIGHT, INCREASED INT (80 IN)	W/E65
E67	84	84	BODY, LENGTH, 12 IN INCREASE	W/E67
E70	82	84	HOUSING, WHL(FOR DUAL RR WHLS)	W/E70
E71	82	84	FLOOR, CARGO(SMOOTH STL)	W/E71
E72	84	84	BODY, LENGTH, 18 IN INCREASE	W/E72
E73	76	81	BODY, WIDTH, ADDITION (9 IN.)	W/E73
E73	84	84	BODY, WIDTH, INCREASED INT (86.4 IN)	W/E73
E74	76	81	BODY, WIDTH, ADDITION (13 IN.)	W/E74
E74	84	84	BODY, WIDTH, INCREASED INT (90.5 IN)	W/E74
E76	82	84	DOORS, RR(60 IN)	W/E76
E79	82	84	DOORS, RR(STRAP HINGES)(74 IN)	W/E79
E81	76	81	FLOOR BOARD EQUIPMENT, WOOD	W/WD FLR BD(E81)
E82	76	83	LID, DECK(STL)	W/STL DECK LID(E82)
E83	76	84	LID, DECK(ALUM)	W/ALUM DECK LID(E83)
E86	76	83	COVER, TONNEAU CARGO BOX(SNAP-ON)	W/TONNEAU(E86)
E89	82	84	PANEL, CAB, DRIVER DR OPG	W/E89
E94	76	84	BEAUVILLE EQUIPMENT(CHEVROLET)	W/E94
E94	76	84	RALLY STX EQUIPMENT(GMC)	W/E94
FE1	76	81	RALLY SUSPENSION PACKAGE	W/RALLY SUSP(FE1)
FE2	76	81	RALLY SUSPENSION PACKAGE	W/RALLY SUSP(FE2)
FE2	82	84	SUSPENSION SYSTEM, TOURING RIDE & HANDLING	W/TOURING SUSP(FE2)
FE3	76	81	SUSPENSION SYSTEM, SPECIAL, LESS STAB SHF	W/SPL SUSP(FE3)
FE3	84	84	SUSPENSION, SPORT	W/SPORT SUSP(FE3)
FE5	84	84	SUSPENSION, SPL PERF FRT & RR (DELETE)	(EXC PERF SUSP)(EXPORT)
FE7	76	84	SUSPENSION, FRT AND RR H. D.	W/H. D. SUSP(FE7)
FG2	76	84	ABSORBER, FRT & RR SHOCK, FIRM RIDE	W/FIRM RIDE(FG2)
FK2	82	84	ANCHOR, TORSION BAR RR(57 DEGREE)	W/FK2
FK3	82	84	ANCHOR, TORSION BAR RR(63 DEGREE)	W/FK3
FS3	85	85	AXLE, FRONT I-BEAM CONSTRUCTION (5000 LBS)	W/FS3
FW2	82	84	AXLE, FRT 3.06 RATIO	W/3.06R(FW2)
FW3	82	84	AXLE, FRT 2.33 RATIO	W/2.33R(FW3)
FW4	82	84	AXLE, FRT 3.36 RATIO	W/3.36R(FW4)
FW5	82	84	AXLE, FRT 4.10 RATIO	W/4.10R(FW5)
FW6	82	84	AXLE, FRT 2.14 RATIO	W/2.14R(FW6)
FW7	82	84	AXLE, FRT 3.83 RATIO	W/3.83R(FW7)
FW8	84	84	AXLE, FRT 1.99 RATIO	W/1.99R(FW8)
FW9	82	84	AXLE, FRT 3.43 RATIO	W/3.43R(FW9)
FX2	84	84	AXLE, FRT 2.66 RATIO	W/2.66R(FX2)
F01	82	84	FRAME, H. D.	W/H. D. FRM(F01)
F16	76	84	AXLE, FRT 2.53 RATIO	W/2.53R(F16)
F17	76	84	AXLE, FRT 2.84 RATIO	W/2.84R(F17)
F25	76	84	AXLE, FRT 3.32 RATIO	W/3.32R(F25)
F29	76	81	AXLE, FRT 2.41 RATIO	W/2.41R(F29)
F36	76	81	AXLE, FRT 2.19 RATIO	W/2.19R(F36)
F40	76	84	SUSPENSION, H. D. FRT & RR	W/H. D. SUSP(F40)
F41	76	84	SUSPENSION, SPL H. D. FRT & RR	W/H. D. SUSP(F41)
F42	76	84	SUSPENSION, H. D. FRT	W/H. D. SUSP(F42)
F44	76	81	CHASSIS EQUIPMENT, HEAVY DUTY	W/F44
F45	76	84	AXLE, FRT 2.93 RATIO	W/2.93R(F45)
F47	82	84	AXLE, FRT 2.73 RATIO	W/2.73R(F47)
F51	76	84	ABSORBER, H. D. SHOCK	W/H. D. SHK(F51)
F57	82	84	AXLE, FRT 3.15 RATIO	W/3.15R(F57)

GM PRODUCTION OPTIONS

RPO	FY	LY	DIVISIONAL RPO DESCRIPTION	WDDGM RPO DESCRIPTION
F58	76	84	SHAFT, H D FRT STAB	W/H D. STAB(F58)
F59	76	84	STABILIZER, FRT	W/F59
F60	76	84	SPRING, H D. FRT	W/H. D. FRT SPR(F60)
F61	82	84	SHAFT, STAB RR	W/F61
F62	76	84	AXLE, FRT 2.39 RATIO	W/2.39R(F62)
F65	76	83	SUSPENSTON, FRONT AIR	W/AIR SUSP(F65)
F66	76	84	SUSPENSION, H D. FRONT AIR	W/H. D. AIR SUSP(F66)
F67	82	84	AXLE, FRT 3.19 RATIO	W/3.19R(F67)
F68	82	83	AXLE, FRT 3.45 RATIO	W/3.45R(F68)
F71	82	84	SPRING, W/SHK ABS, H D. (VAR 1)	W/H. D. SUSP(F71)
F72	82	84	SPRING, W/SHK ABS, H D. (VAR 2)	W/H. D. SUSP(F72)
F75	76	84	AXLE, FRT 3.18 RATIO	W/3.18R(F75)
F77	82	84	AXLE, FRT 3.73 RATIO	W/3.73R(F77)
F79	82	84	AXLE, FRT 2.97 RATIO	W/2.97R(F79)
F85	76	81	SHAFT, H D. FRT STABILIZER	W/H. D. STAB(F85)
F90	76	81	AXLE, FRT 2.73 RATIO	W/2.73R(F90)
GH2	76	84	AXLE, RR 2.29 RATIO	W/2.29R(GH2)
GH4	76	81	AXLE, RR 2.28 RATIO	W/2.28R(GH4)
GL1	76	81	DIFFERENTIAL CARRIER, RR AXLE, ALUM	W/GL1
GM7	82	83	AXLE, RR 2.39 RATIO	W/2.39R(GM7)
GM8	76	84	AXLE, RR 2.56 RATIO	W/2.56R(GM8)
GN3	76	81	DRIVER CONTROL LEVELING	W/LVL CONT(GN3)
GT4	76	84	AXLE, RR 3.73 RATIO	W/3.73R(GT4)
GT5	76	84	AXLE, RR 4.10 RATIO	W/4.10R(GT5)
GT8	76	84	AXLE, H D. RR 4.10 RATIO	W/H. D. 4.10R(GT8)
GU1	76	84	AXLE, RR 2.41 RATIO	W/2.41R(GU1)
GU2	76	84	AXLE, RR 2.73 RATIO	W/2.73R(GU2)
GU3	82	84	AXLE, RR 2.93 RATIO	W/2.93R(GU3)
GU4	76	84	AXLE, RR 3.08 RATIO	W/3.08R(GU4)
GU5	76	84	AXLE, RR 3.23 RATIO	W/3.23R(GU5)
GU6	76	84	AXLE, RR 3.42 RATIO	W/3.42R(GU6)
GV4	82	84	AXLE, RR 3.36 RATIO	W/3.36R(GV4)
GV8	82	83	AXLE, RR 2.72 RATIO	W/2.72R(GV8)
GW4	84	84	AXLE, RR 3.31 RATIO	W/3.31R(GW4)
GW9	76	84	AXLE, RR 2.93 RATIO	W/2.93R(GW9)
GX3	82	84	AXLE, FRT 3.33 RATIO	W/3.33R(GX3)
GX4	76	83	AXLE, RR 3.75 RATIO	W/3.75R(GX4)
GX5	76	83	AXLE, RR 4.09 RATIO	W/4.09R(GX5)
GY5	76	84	AXLE, FRT 3.65 RATIO	W/3.65R(GY5)
G50	76	84	SPRING, H D. RR (VAR 1)	W/H. D. RR SPR(G50)
G51	76	84	SPRING, SPL H D. RR (VAR 2)	W/H. D. RR SPR(G51)
G52	82	84	SPRING, EXTRA CAPACITY RR	W/H. D. RR SPR(G52)
G60	76	84	SPRING, AUX	W/AUX SPR(G60)
G66	76	84	ABSORBER, AIR BOOSTER RR SHK	W/MAN LVL CONT(G66)
G67	76	77	ABSORBER, AUTO LVL CONT SHK SYS	W/A. L. C. (G67)
G67	78	84	ABSORBER, ELEC LVL CONT SHK SYS	W/ELEC LVL CONT(G67)
G72	80	80	AXLE, RR 2.14 RATIO	W/2.14R(G72)
G72	81	81	AXLE, RR 2.14 RATIO (EXPOPT)	W/2.14R(G72); (EXPORT)
G72	82	84	AXLE, RR 2.14 RATIO	W/2.14R(G72)
G75	82	84	AXLE, RR 3.62 RATIO	W/3.62R(G75)
G80	76	84	AXLE, RR LOCKING TYPE	W/G80
G83	82	83	GEAR, RING 8.75 IN	W/8.75 DIA RNGR(G83)
G87	76	84	GEAR, RING 8.50 IN	W/8.50 DIA RNGR(G87)
G88	76	83	GEAR, RING 8.875 IN	W/8.875 DIA RNGR(G88)
G89	76	84	GEAR, RING 7.50 IN	W/7.50 DIA RNGR(G89)
G92	76	84	AXLE, PERFORMANCE RATIO	W/G92
HA3	82	84	AXLE, RR 5.29 RATIO	W/5.29R(HA3)
HC2	76	81	AXLE, RR 2.76 RATIO	W/2.76R(HC2)
HC4	76	84	AXLE, RR 4.56 RATIO	W/4.56R(HC4)
HC7	76	84	AXLE, RR 5.13 RATIO	W/5.13R(HC7)
HCB	76	84	AXLE, RR 3.21 RATIO	W/3.21R(HCB)
HD1	82	84	AXLE, RR 5.83 RATIO	W/5.83R(HD1)
HE3	76	84	AXLE, RR 3.07 RATIO	W/3.07R(HE3)
HE4	76	81	AXLE, RR 3.40 RATIO	W/3.40R(HE4)
HF7	76	84	AXLE, H D. RR 4.56 RATIO	W/H. D. 4.56R(HF7)
HFB	76	84	AXLE, RR 4.88 RATIO	W/4.88R(HFB)
HK1	82	83	AXLE, RR 2.87 RATIO	W/2.87R(HK1)
HK9	82	84	AXLE, RR 5.86 RATIO	W/5.86R(HK9)
H4D	85	85	HEAVY DUTY EMISSIONS CONTROL (VAR 4)	W/H. D. EMIS CONT(H4D)
H04	76	84	AXLE, RR 4.11 RATIO	W/4.11R(H04)
H22	76	81	AXLE, RR 6.17 RATIO	W/6.17R(H22)

GM PRODUCTION OPTIONS

RPO	FY	LY	DIVISIONAL RPO DESCRIPTION	WDDGM RPO DESCRIPTION
H23	76	81	AXLE,RR 5 43 RATIO	W/5 43R(H23)
JA1	76	84	BRAKE SYSTEM,PWR LT DUTY	W/JA1
JA2	76	84	BRAKE SYSTEM,PWR HVY DUTY	W/JA2
JA3	76	84	BRAKE SYSTEM,PWR (WAGONS)	W/JA3
JA4	76	81	BRAKE SYSTEM,DISC/DRUM	W/JA4
JA5	76	84	BRAKE SYSTEM,PWR HVY DUTY	W/JA5
JA6	76	84	BRAKE SYSTEM,MAN EXTRA LT WT	W/JA6
JA8	82	84	BRAKE SYSTEM,PWR MED DUTY	W/JA8
JB1	76	84	BRAKE SYSTEM,MAN DISC/DRUM	W/JB1
JB2	76	81	BRAKE SYSTEM,DISC/DRUM	W/JB2
JB3	76	84	BRAKE SYSTEM,VAC PWR DISC/DRUM	W/JB3
JB5	76	84	BRAKE SYSTEM,VAC PWR DISC/DRUM	W/JB5
JB6	76	84	BRAKE SYSTEM,VAC PWR DISC/DRUM	W/JB6
JB7	76	84	BRAKE SYSTEM,VAC PWR DISC/DRUM	W/JB7
JB8	76	84	BRAKE SYSTEM,HYD PWR DISC/DRUM	W/JB8
JC4	82	83	BRAKE,FRT VENTED ROTOR	W/JC4
JD3	76	84	BRAKE SYSTEM,VAC PWR DISC/DRUM	W/JD3
JD5	76	84	BRAKE SYSTEM,PWR DISC	W/JD5
JD6	76	84	BRAKE SYSTEM,HYD PWR DISC/DRUM	W/JD6
JD7	76	84	BRAKE SYSTEM,HYD PWR DISC/DRUM	W/JD7
JE1	76	84	BRAKE SYSTEM,EUROPE(EXPORT)	W/JE1(EXPORT)
JF9	76	84	BRAKE SYSTEM,HYD PWR 4-WHL DISC	W/JF9
JL1	76	83	PADS,CUST PED TR	W/CUST PADS(JL1)
JL2	76	83	BRAKE SYSTEM,FRT PWR DISC	W/JL2
JL5	82	83	BRAKE,FRT SOLID DISC	W/JL5
JL6	76	84	BRAKE SYSTEM,MAN DISC	W/JL6
JM5	82	84	HEAD,PWR BRK BOOSTER(TANDEM)	W/P.B. BOOS(JM5)
JM7	76	84	HEAD,PWR BRK BOOSTER(SINGLE)	W/P.B. BOOS(JM7)
JM8	76	84	BRAKE SYSTEM,RR DISC	W/JM8
J41	82	84	DRUMS,BRAKE(CAST IRON)	W/J41
J42	82	84	DRUMS,BRAKE(ALUM)	W/J42
J50	76	84	BRAKE SYSTEM,VAC PWR	W/J50
J55	76	84	BRAKE SYSTEM,H.D. PWR(VAR 1)	W/J55
J65	76	84	BRAKE SYSTEM,PWR DISC FRT & RR	W/J65
J90	76	81	BRAKE SYSTEM,RR DRUM H.D.	W/J90
KA5	82	84	VACUUM SYSTEM,CAM DRIVEN	W/KA5
KA6	82	84	VACUUM SYSTEM,BELT DRIVEN	W/KA6
KB1	82	84	EXHAUST MANIFOLD,SHEET METAL	W/KB1
KB3	82	84	WATER PUMP,ALUMINUM	W/KB3
KB7	82	83	HEAD,CAST IRON	W/KB7
KB8	82	84	HEAD,ALUM	W/KB8
KC4	76	84	COOLER,ENG OIL ***PASS CAR EXC CORVETTE***	W/KC4(EXPORT)
KC4	76	84	COOLER,ENG OIL ***TRUCK & CORVETTE***	W/KC4
KD2	82	84	PUMP,FUEL INJECTION (STANADYNE)	W/KD2(STANADYNE)
KD3	82	84	PUMP,FUEL INJECTION (C.A.V.)	W/KD3(C.A.V.)
KE1	76	81	ELECTRONIC SPARK SELECTION	W/E S S (KE1)
KF3	76	81	ELECTRONIC FUEL INJECTION	W/E F I (KF3)
KJ5	76	81	MOTOR,STARTING(JAPANESE EXPORT)	W/KJ5(EXPORT)
KJ5	82	84	MOTOR,STARTING(MITSUBISHI)	W/KJ5
KL7	82	84	LP GAS PREPARATION	W/KL7(CANADIAN)
KM5	76	81	GLOW SYSTEM,SLOW START	W/SLOW GLOW(KM5)
KM6	76	81	GLOW SYSTEM,FAST START	W/FAST GLOW(KM6)
KM7	76	83	MANIFOLD,INT(CAST IRON)	W/KM7
KM9	76	84	MANIFOLD,INT(ALUM)	W/KM9
K05	76	84	HEATER,ENG BLOCK	W/K05
K07	76	84	HEATER,DIESEL FUEL	W/K07
K15	76	84	LINE,FUEL VAPOR RTN	W/K15
K19	76	84	AIR INJECTION SYSTEM	W/A.I.R.(K19)
K22	82	84	DELCO TRON,94 AMP	W/94 AMP(K22)
K30	76	84	CONTROL,SPEED & CRUISE(AUTO)	W/CRUISE CONT(K30)
K34	76	84	CONTROL,SPEED & CRUISE(INTEGRATED COMPUTER)	W/CRUISE CONT(K34)
K35	76	83	CONTROL,W/RESUME,SPEED & CRUISE	W/CRUISE CONT(K35)
K46	82	84	CLEANER,AIR PRECHAMBER	W/K46
K61	84	84	DELCO TRON,97 AMP	W/97 AMP(K61)
K64	82	84	DELCO TRON,78 AMP	W/78 AMP(K64)
K70	82	84	PULSAIR,AIR INJ,ENG	W/PULSAIR(K70)
K71	82	84	EMISSION CONTROL,NOT CERTIFIED(EXPORT)	W/K71(EXPORT)
K73	76	84	DELCO TRON,70 AMP	W/70 AMP(K73)
K74	76	81	EARLY FUEL EVAPORATION (DELETE)	(EXC EARLY FUEL EVAP)
K76	76	81	DELCO TRON,61 AMP	W/61 AMP(K76)
K77	76	82	DELCO TRON,55 AMP	W/55 AMP(K77)

GM PRODUCTION OPTIONS

RPO	FY	LY	DIVISIONAL RPO DESCRIPTION	WDDQM RPO DESCRIPTION
K77	83	84	DELCOTRON, 56 AMP	W/56 AMP(K77)
K79	76	84	DELCOTRON, 42 AMP	W/42 AMP(K79)
K80	84	84	DELCOTRON, 92 AMP	W/92 AMP(K80)
K81	76	82	DELCOTRON, 63 AMP	W/63 AMP(K81)
K81	83	84	DELCOTRON, 66 AMP	W/66 AMP(K81)
K85	82	84	DELCOTRON, 37 AMP	W/37 AMP(K85)
K90	84	84	DELCOTRON, 108 AMP	W/108 AMP(K90)
K92	76	81	DELCOTRON, 105 AMP	W/105 AMP(K92)
K94	76	81	ENGINE DISPLACEMENT, MODULATED	W/K94
K95	76	81	ENGINE DISPLACEMENT, NONMODULATED	W/K95
K97	76	84	DELCOTRON, 80 AMP	W/80 AMP(K97)
K99	76	84	DELCOTRON, 85 AMP	W/85 AMP(K99)
LA5	84	84	ENGINE ASM, 1.8L L4	(1.8J)
LC1	82	84	ENGINE ASM, 2.8L V6	(2.8-1)
LC3	82	82	ENGINE ASM, 229 C. I. D. V6	(229K)
LC3	83	84	ENGINE ASM, 229 C. I. D. V6	(229-9)
LC4	80	84	ENGINE ASM, 4.1L V6	(4.1-4)
LC5	78	78	ENGINE ASM, 231 C. I. D. V6	(231G)
LC6	78	79	ENGINE ASM, 231 C. I. D. V6	(231-2)
LC8	78	82	ENGINE ASM, 231 C. I. D. V6	(231-3)
LC8	83	83	ENGINE ASM, 231 C. I. D. V6	(231-8)
LC9	78	79	ENGINE ASM, 196 C. I. D. V6	(196)
LD4	78	78	ENGINE ASM, 250 C. I. D. STAN 6CYL	(250)
LD5	76	84	ENGINE ASM, 231 C. I. D. V6	(231A)
LD7	77	77	ENGINE ASM, 231 C. I. D. V6	(231C)
LE2	80	84	ENGINE ASM, 2.8L V6	(2.8X)
LE3	79	84	ENGINE ASM, 250 C. I. D. L6	(250D)
LE4	80	80	ENGINE ASM, 400 C. I. D. V8	(400X)
LE8	80	84	ENGINE ASM, 454 C. I. D. V8	(454W)
LE9	82	84	ENGINE ASM, 305 C. I. D. V8	(305H)
LF3	82	84	ENGINE ASM, 305 C. I. D. V8	(305F)
LF4	77	80	ENGINE ASM, 400 C. I. D. V8	(400R)
LF5	79	82	ENGINE ASM, 350 C. I. D. V8	(350P)
LF5	83	83	ENGINE ASM, 350 C. I. D. V8	W/SEO(LF5)
LF7	79	79	ENGINE ASM, 260 C. I. D. DIESEL V8	(260P)
LF8	77	79	ENGINE ASM, 454 C. I. D. V8	(454S)
LF9	78	84	ENGINE ASM, 350 C. I. D. V8 DIESEL	(350N)
LG3	77	78	ENGINE ASM, 305 C. I. D. V8	(305U)
LG3	79	79	ENGINE ASM, 305 C. I. D. V8	(305G)
LG4	80	84	ENGINE ASM, 305 C. I. D. V8	(305H)
LG9	77	81	ENGINE ASM, 305 C. I. D. V8	(305G)
LH6	82	84	ENGINE ASM, 6.2L V8 DIESEL	(6.2C)
LH7	92	84	ENGINE ASM, 2.8L V6	(2.8Z)
LH8	82	84	ENGINE ASM, 1.8L L4	(1.8-0)
LJ5	81	84	ENGINE ASM, 1.8L L4 DIESEL	(1.8D)
LK9	82	84	ENGINE ASM, 3.0L V6	(3.0E)
LL1	83	84	ENGINE ASM, 2.8L V6	(2.8L)
LL4	82	84	ENGINE ASM, 6.2L V8 DIESEL	(6.2J)
LM1	77	82	ENGINE ASM, 350 C. I. D. V8	(350L)
LM1	83	84	ENGINE ASM, 350 C. I. D. V8 (CHEVROLET)	W/SEO(LM1)
LM1	84	84	ENGINE ASM, 350 C. I. D. V8 (PONTIAC)	(350-6)(EXPCRT)
LM9	84	84	ENGINE ASM, 3.8L V6	(231-9)
LN3	84	84	ENGINE ASM, 3.8L V6	(231-3)
LP9	84	84	ENGINE ASM, 5.7L V8	W/SEO(LP9)
LQ2	83	84	ENGINE ASM, 2.0L L4	(2.0Y)
LQ5	83	84	ENGINE ASM, 2.0L L4	(2.0P)
LQ7	83	84	ENGINE ASM, 2.2L L4 DIESEL	(2.2S)
LQ8	82	83	ENGINE ASM, 2.5L L4	(2.5F)
LQ9	82	84	ENGINE ASM, 2.5L L4	(2.5-2)
LR1	82	84	ENGINE ASM, 1.9L L4	(1.9A)
LR2	82	84	ENGINE ASM, 2.8L V6	(2.8B)
LR8	82	84	ENGINE ASM, 2.5L L4	(2.5R)
LR9	82	84	ENGINE ASM, 2.0L L4	(2.0B)
LS6	78	79	ENGINE ASM, 151 C. I. D. L4	(151-1)
LS8	79	79	ENGINE ASM, 151 C. I. D. L4	(151-9)
LS9	77	84	ENGINE ASM, 350 C. I. D. V8	(350L)
LT5	76	81	ENGINE PERFORMANCE PKG, HIGH ALT	W/ALT(LT5)
LT6	82	84	ENGINE ASM, 4.3L V6 DIESEL	(4.3V)
LT7	82	84	ENGINE ASM, 4.3L V6 DIESEL	(4.3T)
LT8	82	84	ENGINE ASM, 4.1L V8	(4.1-8)
LT9	80	84	ENGINE ASM, 350 C. I. D. V8 (GASOLINE)	(350M)
LT9	83	84	ENGINE ASM, 350 C. I. D. V8 (PROPANE)	(350K)

GM PRODUCTION OPTIONS

RPO	FY	LY	DIVISIONAL RPO DESCRIPTION	WDOGM RPO DESCRIPTION
LUS	82	82	ENGINE ASM, 5.0L V8	(5 0-7)
LUS	83	83	ENGINE ASM, 5.0L V8	(5 05)
LV2	80	84	ENGINE ASM, 307 C.I.D. V8	(307Y)
LV2	83	84	ENGINE ASM, 307 C.I.D. V8 (WITH HURST/OLOS)	(307-9)
LVB	77	78	ENGINE ASM, 260 C.I.D. V8	(260)
LVB	79	81	ENGINE ASM, 260 C.I.D. V8	(260F)
LVB	82	82	ENGINE ASM, 260 C.I.D. V8	(260-8)
LW5	78	79	ENGINE ASM, 1.6L L4	(1.6J)
LW9	80	83	ENGINE ASM, 2.0L L4	(2.5-5)
LX3	77	77	ENGINE ASM, 1.4L L4	(1.4)
LX6	77	78	ENGINE ASM, 151 C.I.D. L4	(151V)
LX8	79	80	ENGINE ASM, 151 C.I.D. L4	(151V)
LY5	77	78	ENGINE ASM, 1.6L L4	(1.6E)
LO2	76	84	DELCO TRON, 100 AMP	W/100 AMP (LO2)
LC3	76	81	DELCO TRON, 110 AMP	W/110 AMP (LO3)
LO4	76	81	DELCO TRON, 145 AMP	W/145 AMP (LO4)
LO5	76	81	DELCO TRON, 130 AMP	W/130 AMP (LO5)
LO7	76	81	DELCO TRON, 145 AMP, DYNAMOTE PWR INVERTED	W/145 AMP (LO7)
L11	77	77	ENGINE ASM, 140 C.I.D. OHC L4	(140)
L13	76	76	ENGINE ASM, 140 C.I.D. L4	(140)
L17	82	84	ENGINE ASM, 1.6L L4	(1.6C)
L22	77	79	ENGINE ASM, 250 C.I.D. L6	(250)
L25	77	84	ENGINE ASM, 292 C.I.D. L6	(292T)
L26	78	79	ENGINE ASM, 200 C.I.D. V6	(200)
L27	77	79	ENGINE ASM, 301 C.I.D. V8	(301Y)
L32	77	77	ENGINE ASM, 350 C.I.D. V8	(350H)
L33	78	79	ENGINE ASM, 425 C.I.D. V8	(425)
L34	77	80	ENGINE ASM, 350 C.I.D. V8	(350R)
L35	78	79	ENGINE ASM, 425 C.I.D. V8 E.F.I.	(425)
L37	78	81	ENGINE ASM, 301 C.I.D. V8	(301W)
L39	79	82	ENGINE ASM, 267 C.I.D. V8	(267J)
L46	82	82	ENGINE ASM, 1.8L L4	(1.8G)
L48	77	80	ENGINE ASM, 350 C.I.D. V8	(350)
L49	78	80	ENGINE ASM, 350 C.I.D. V8	(350B)
L61	80	84	ENGINE ASM, 368 C.I.D. V8	(368-6)
L62	80	84	ENGINE ASM, 368 C.I.D. V8	(368-9)
L65	77	77	ENGINE ASM, 350 C.I.D. V8	(350G)
L69	83	83	ENGINE ASM, 5.0L V8	(305-7)
L69	84	84	ENGINE ASM, 5.0L V8	(305G)
L76	77	77	ENGINE ASM, 350 C.I.D. V8	(350P)
L77	77	77	ENGINE ASM, 350 C.I.D. V8	(350J)
L77	78	80	ENGINE ASM, 350 C.I.D. V8	(350X)
L77	81	81	ENGINE ASM, 350 C.I.D. V8	(350B)
L78	77	79	ENGINE ASM, 400 C.I.D. V8	(400)
L80	77	79	ENGINE ASM, 403 C.I.D. V8	(403)
L82	77	80	ENGINE ASM, 350 C.I.D. V8 SPL HI PERF	(350)
L83	82	84	ENGINE ASM, 5.7L V8	(5.7-8)
L91	76	81	EXPORT ENGINE	W/L91 (EXPORT)
L92	76	81	EXPORT ENGINE	W/L92 (EXPORT)
L93	76	81	EXPORT ENGINE, VENEZUELA	W/L93 (EXPORT)
MB1	84	84	TRANSMISSION, 5-SPD MAN	W/M.T. (MB1)
MB4	82	84	TRANSMISSION, 5-SPD MAN	W/M.T. (MB4)
MB6	82	84	TRANSMISSION, 5-SPD MAN	W/M.T. (MB6)
MC1	76	83	TRANSMISSION, H.D. 3-SPD MAN	W/M.T. (MC1)
MC4	76	81	TRANSMISSION, SPORT SHIFT	W/SPORT SHIFT (MC4)
MC5	85	85	TRANSMISSION, 5-SPD MAN	W/M.T. (MC5)
MD2	76	84	TRANSMISSION, 3-SPD AUTO	W/A.T. (MD2)
MD3	76	81	TRANSMISSION, AUTO, STRASBURG	W/A.T. (MD3)
MD8	76	84	TRANSMISSION, 4-SPD AUTO	W/A.T. (MD8)
MD9	76	84	TRANSMISSION, 3-SPD AUTO	W/A.T. (MD9)
ME9	82	84	TRANSMISSION, 4-SPD AUTO	W/A.T. (ME9)
MF4	84	84	TRANSFER CASE NP-205 (1.96 LOW RANGE)	W/MF4
MK2	82	84	TRANSMISSION, 4-SPD MAN	W/M.T. (MK2)
MK4	82	84	TRANSMISSION, 5-SPD MAN	W/M.T. (MK4)
MK5	82	84	TRANSMISSION, 5-SPD MAN	W/M.T. (MK5)
MK6	82	84	TRANSMISSION, 5-SPD MAN	W/M.T. (MK6)
MK7	82	84	TRANSMISSION, 5-SPD MAN	W/M.T. (MK7)
ML3	84	84	TRANSMISSION, 5-SPD MAN	W/M.T. (ML3)
ML8	84	84	TRANSMISSION, 5-SPD MAN	W/M.T. (ML8)
MM3	82	84	MERCHANDISING OPTION ONLY-DO NOT CATALOG	SEE VDS FOR AVAIL TRANS OPTION
MM4	82	84	MERCHANDISING OPTION ONLY-DO NOT CATALOG	SEE VDS FOR AVAIL TRANS OPTION
MM5	82	84	MERCHANDISING OPTION ONLY-DO NOT CATALOG	SEE VDS FOR AVAIL TRANS OPTION

GM PRODUCTION OPTIONS

RPO	FY	LY	DIVISIONAL RPO DESCRIPTION	WDDGM RPO DESCRIPTION
WV7	82	84	MERCHANDISING OPTION ONLY-DO NOT CATALOG	SEE VDS FOR AVAIL TRANS OPTION
WV4	76	84	TRANSMISSION 3-SPD AUTO	W/A T (WV4)
WV9	76	84	TRANSMISSION 3-SPD AUTO	W/A T (WV9)
WV9	76	84	TRANSMISSION 4-SPD AUTO	W/A T (WV9)
WX0	82	84	MERCHANDISING OPTION ONLY-DO NOT CATALOG	SEE VDS FOR AVAIL TRANS OPTION
WX1	82	84	MERCHANDISING OPTION ONLY-DO NOT CATALOG	SEE VDS FOR AVAIL TRANS OPTION
WX2	76	84	TRANSMISSION AUTO	W/A T (WX2)
WX3	76	81	TRANSMISSION 3-SPD AUTO W/LK UP CONV	W/A T (WX3)
WX5	82	83	TRANSMISSION AUTO	W/A T (WX5)
WY1	76	84	TRANSMISSION 4-SPD MAN	W/M T (WY1)
WY6	76	84	TRANSMISSION 4-SPD MAN	W/M T (WY6)
WY7	76	84	TRANSMISSION 5-SPD MAN	W/M T (WY7)
WY8	76	84	TRANSMISSION 4-SPD MAN	W/M T (WY8)
MO6	82	84	TRANSMISSION 4-SPD MAN	W/M T (MO8)
M11	76	81	SHIFT FLOOR	W/FLR SHIFT(M11)
M15	76	81	TRANSMISSION 3-SPD MAN	W/M T (M15)
M16	76	81	TRANSMISSION 3-SPD MAN	W/M T (M16)
M17	76	84	TRANSMISSION 4-SPD MAN	W/M T (M17)
M18	76	83	TRANSMISSION 4-SPD MAN	W/M T (M18)
M19	76	84	TRANSMISSION 4-SPD MAN	W/M T (M19)
M20	76	84	TRANSMISSION 4-SPD MAN	W/M T (M20)
M21	76	81	TRANSMISSION 4-SPD MAN	W/M T (M21)
M24	76	83	TRANSMISSION 4-SPD MAN	W/M T (M24)
M26	76	84	TRANSMISSION 4-SPD MAN	W/M T (M26)
M27	76	81	TRANSMISSION 4-SPD MAN	W/M T (M27)
M29	76	81	TRANSMISSION 3-SPD AUTO	W/A T (M29)
M31	76	84	TRANSMISSION 3-SPD AUTO	W/A T (M31)
M32	76	81	TRANSMISSION 3-SPD AUTO	W/A T (M32)
M33	76	81	TRANSMISSION 3-SPD AUTO	W/A T (M33)
M34	76	83	TRANSMISSION 3-SPD AUTO	W/A T (M34)
M38	76	81	TRANSMISSION 3-SPD AUTO	W/A T (M38)
M40	76	84	TRANSMISSION 3-SPD AUTO	W/A T (M40)
M51	76	81	STEERING SYSTEM MAN	(EXC P S)
M57	76	84	TRANSMISSION 4-SPD AUTO	W/A T (M57)
M62	76	84	TRANSMISSION 3-SPD MAN	W/M T (M62)
M63	76	81	TRANSMISSION 3-SPD MAN	W/M T (M63)
M64	76	84	TRANSMISSION 3-SPD MAN	W/M T (M64)
M67	76	81	TRANSMISSION 4-SPD MAN	W/M T (M67)
M73	76	84	TRANSMISSION 4-SPD MAN	W/M T (M73)
M75	76	84	TRANSMISSION 5-SPD MAN	W/M T (M75)
M77	76	84	TRANSMISSION 4-SPD MAN	W/M T (M77)
NA2	76	81	EMISSION SYSSTEM STANDARD	W/FED(NA2)
NA5	76	84	EMISSION SYSTEM FED	W/FED(NA5)
NA6	5	84	EMISSION SYSTEM ALT	W/ALT(NA6)
NA9	76	84	EMISSION CONTROL EVAPORATIVE	W/E E S (NA9)
NB1	76	84	EMISSION CONTROL CLOSED LOOP	W/CLSD LOOP(NB1)
NB2	76	84	EMISSION SYSTEM CALIF	W/CALIF(NB2)
NB5	76	83	EXHAUST SYSTEM SINGLE	W/SINGLE EXH(NB5)
NB9	84	84	FILTER SYSTEM FUEL	W/NB9
NC3	84	84	TAILPIPE MODIFICATIONS (EXPORT)	W/NC3(EXPORT)
NC6	76	81	EXHAUST SYSTEM SPORTY	W/SPORT EXH(NC6)
NC8	76	84	EMISSION SYSTEM INTERNAL EGR(DIESEL)	W/INTERNAL EGR(NC8)
ND1	76	84	TANK FUEL 86 LITER	W/86 LITER TK(ND1)
NE2	76	84	TANK FUEL 40 GAL	W/40 GAL TK(NE2)
NF1	76	83	TANK FUEL 69 LITER	W/69 LITER TK(NF1)
NF2	76	84	TANK FUEL 75 LITER	W/75 LITER TK(NF2)
NF9	84	84	HEAT SHIELD EXHAUST SYSTEM TO GROUND	W/EXH HT SHLD(NF9)
NG1	76	84	TANK FUEL 76 LITER	W/76 LITER TK(NG1)
NH1	76	84	TANK FUEL 83 LITER	W/83 LITER TK(NH1)
NH7	76	84	TANK FUEL 103 LITER	W/103 LITER TK(NH7)
NH8	76	83	TANK FUEL 69 LITER	W/69 LITER TK(NH8)
NK1	76	84	TANK FUEL 69 LITER	W/69 LITER TK(NK1)
NK2	76	81	TANK FUEL 79 LITER	W/79 LITER TK(NK2)
NK2	82	84	TANK FUEL 76 LITER	W/76 LITER TK(NK2)
NK3	76	84	WHEEL STRG(FORMULA)	W/FORMULA WHL(NK3)
NK4	76	83	WHEEL STRG(SPORT LEATHER)	W/NK4
NK5	76	84	WHEEL STRG(STD)	W/NK5
NK6	76	84	TANK FUEL 83 LITER	W/83 LITER TK(NK6)
NK7	76	84	TANK FUEL 31 GAL	W/31 GAL TK(NK7)
NK8	76	84	TANK FUEL 96 LITER	W/96 LITER TK(NK8)
NL2	76	84	TANK AUX FUEL(VAR 2)	W/AUX TK(NL2)
NL7	76	84	TANK FUEL 33 GAL	W/33 GAL TK(NL7)

GM PRODUCTION OPTIONS

RPO	FY	LY	DIVISIONAL RPO DESCRIPTION	WDDGM RPO DESCRIPTION
NL8	76	81	TANK, FUEL 2K GALLON RP MOUNTED	W/RR MT TK(NL8)
NM1	83	84	SWITZERLAND/SWEDEN EMISSION PROVISION	W/NM1(EXPORT)
NM4	76	84	EMISSION CONTROL, NON-CLOSED LOOP	W/NM4(EXPORT, CANADA)
NM5	76	84	EMISSION SYSTEM, NON-CLOSED LOOP, (CANADA)	W/NM5(EXPORT, CANADA)
NM6	76	84	EMISSION CONTROL, CANADA RECALIBRATION	W/NM6(EXPORT, CANADA)
NM8	76	84	EMISSION MODIFICATION, UNLEADED GAS CONV	W/NM8(EXPORT)
NM9	76	81	DIESEL EMISSION SYSTEM, EXTERNAL EGR	W/EXTERNAL EGR(NM9)
NN1	76	84	EMISSION SYSTEM, DUAL BED MONALITHE CONV	W/NN1
NN2	76	81	EMISSION SYSTEM, SINGLE BED MONALITHE CONV	W/NN2
NN3	76	84	EMISSION SYSTEM, SINGLE BED BEAD CONV	W/NN3
NN4	82	83	TANK, FUEL 60 GAL	W/60 GAL TK(NN4)
NN6	82	84	EGR, REVERSE FLOW	W/NN6
NN7	82	84	FUEL FILLER DOOR-DELETE LOCK	(EXC FIL DR LK)
NN9	82	84	EMISSION SYSTEM, LEADED FUEL(EXPORT)	W/NN9(EXPORT)
NP1	76	81	V6 ECONOMY EQUIPMENT	W/FUEL ECON EQUIP(NP1)
NP5	76	84	WHEEL STRG(LEATHER WRAPPED)	W/NP5
NP7	82	84	STEERING COLUMN	W/NP7(EXPORT)
NQ5	84	85	CAP, STEERING WHEEL HORN DELUXE	W/DLX HORN CAP(NQ5)
NV5	84	84	SHIELD DIFFERENTIAL CARRIER	W/NV5
NX1	82	84	WHEEL, 13X5 PA(HSLA STL)	W/PA WHL(NX1)
NY1	76	84	PLATE, FUEL TK SHIELD & SKID	W/NY1
NY2	84	84	STEERING, SLOW RATIO	W/NY2
NY6	76	84	GEAR, P S TYPE 605	W/P S (NY6)
NY7	76	84	SHIELD, TRFR CASE	W/NY7
NY8	76	84	GEAR, P S TYPE 800	W/P S (NY8)
NO4	76	84	LOCK, GAS CAP REM CONT	W/NO4
NO5	76	84	CAP, LK GAS(EXPORT)	W/LK CAP(NO5)(EXPORT)
NO8	76	84	FILLER, FUEL TK DR REM CONT LK	W/LK DR FIL(NO8)
NO9	82	84	LOCK, FUEL FIL DR	W/FIL DR LK(NO9)
N10	76	84	EXHAUST SYSTEM, DUAL	W/DUAL EXH(N10)
N16	76	83	EMISSION SYSTEM, INTERNAL EGR W/E P R	W/N16
N18	82	84	LOCKING KIT, SIMULATED WIRE WHL CVR	W/LK WHL CVR(N18)
N20	76	81	TANK, FUEL 50 GAL	W/50 GAL TK(N20)
N23	82	84	TANK, FUEL 83 LITER(22 GAL)	W/83 LITER TK(N23)
N24	82	84	WHEEL, CAST ALUM	W/ALUM WHL(N24)
N30	76	84	WHEEL, STRG(DLX)	W/DLX STRG WHL(N30)
N31	76	84	WHEEL, STRG(CUST)	W/CUST STRG WHL(N31)
N32	76	84	WHEEL, STRG(CUST)	W/CUST STRG WHL(N32)
N33	76	84	COLUMN, STRG(TILT TYPE)	W/TILT WHL(N33)
N34	76	84	WHEEL, STRG(CUST SPORT)	W/SPORT STRG WHL(N34)
N36	82	84	WHEEL, STRG(SPORT)	W/SPORT STRG WHL(N36)
N37	76	84	COLUMN, STRG(TILT & TELESCOPIC)	W/T&T WHL(N37)
N40	76	84	STEERING, HYD(NON-VARIABLE)	W/P S (N40)
N41	76	84	STEERING, HYD(VARIABLE RATIO)	W/P S (N41)
N46	84	84	WHEEL, STRG (4 SPOKE) VINYL	W/VNL STRG WHL(N46)
N49	76	81	WHEEL, STRG, CAP ONLY, SPORTY	W/SPORT STRG WHL(N49)
N51	76	81	STEERING, MAN	W/MAN STRG(N51)
N51	82	84	STEERING, MAN	(EXC P S)
N60	76	84	WHEEL, ALUM	W/ALUM WHL(N60)
N65	76	84	WHEEL & TIRE, STOWAWAY SPA	W/STOWAWAY SPA(N65)
N66	84	84	WHEEL, RALLY TYPE	W/RALLY WHL(N66)
N66	76	83	WHEEL, RALLY TYPE(VAR 1)	W/STYLED SPORT WHL(N66)
N67	76	84	WHEEL, RALLY TYPE(VAR 2)	W/RALLY WHL(N67)
N68	76	81	SPARE TIRE & WHL, CONVENTIONAL	W/SPA TIRE(N68)
N69	76	81	WHEEL, GOLD STYLED 13 X 6 00	W/GOLD STYLED WHL(N69)
N70	82	84	WHEEL, PAINTED(13X5 5)	W/PA WHL(N70)
N71	82	83	WHEEL, CUST SPORT	W/CUST WHL(N71)
N72	76	83	WHEEL, CUST SPORT(15 IN)	W/CUST WHL(N72)
N73	76	81	WHEEL, EQUIPMENT, CUSTOM SPORT	W/CUST SPORT(N73)
N77	76	81	WHEELS, 13 X 6 ALUM HUB CAPS & WHL NUTS	W/ALUM WHL(N77)
N78	76	84	WHEEL, ALUM CAST(14X6)	W/ALUM WHL(N78)
N81	76	84	TIRE, SPA(FULL SIZE RADIAL)	W/RADIAL SPA(N81)
N82	76	81	WHEEL, EQUIPMENT, CUST SPORT, 15 X 6.0	W/CUST SPORT(N82)
N83	76	84	WHEEL, CUST SPORT(15X7)(CHR STYLED)	W/CUST SPORT WHL(N83)
N84	84	84	SPARE TIRE (DELETE)	(EXC SPA TIRE)
N85	82	84	WHEEL, H.D.(14X6)	W/H.D. WHL(N85)
N86	82	84	WHEEL, POLYCAST(13X5 5)	W/POLYCAST WHL(N86)
N89	76	84	WHEEL, TURBO ALUM	W/TURBO ALUM WHL(N89)
N90	76	84	WHEEL, ALUM	W/ALUM WHL(N90)
N91	76	84	COVER, W/LK, SIMULATED WIRE WHL	W/SIM WIRE WHL LK CVR(N91)
N92	76	81	COVER, SIM WIRE WHL, COLOR CODED	W/SIM WIRE WHL(N92)
N94	76	81	SIMULATED WIRE WHL, DISC, 14 IN.	W/SIM WIRE WHL(N94)
N95	76	84	COVER, SIMULATED WIRE WHL	W/SIM WIRE WHL(N95)

GM PRODUCTION OPTIONS

RPO	FY	LY	DIVISIONAL RPO DESCRIPTION	WDDGM RPO DESCRIPTION
N96	76	81	COVER,SIM CHROME WHEEL 15 IN.	W/SIM CHR WHL(N96)
N96	84	84	WHEEL,ALUMINUM CAST 16 X 8	W/CAST WHL(N96)
N97	76	84	WHEELS,H.D.(15X7)	W/N97
N98	76	84	WHEEL,RALLY II ROAD(CHR)	W/RALLY II WHL(N98)
N99	76	84	WHEEL,H.D.(15X6)	W/N99
PA1	76	81	COVER,WHEEL TR,WIRE 15 IN.(BUICK)	W/SIM WIRE(PA1)
PA1	76	81	COVER,WHEEL TR,DELUXE 15 IN.(OLDS)	W/DLX CVR(PA1)
PA1	82	84	COVER,DLX WHL TR(15 IN)	W/DLX CVR(PA1)
PA3	76	81	COVER,DELUXE WHEEL TR,13,14 OR 15 IN.	W/DLX CVR(PA3)
PA4	76	84	CAP,HUB WHLCVR:PAINTED)	W/PA CAP(PA4)
PA5	88	4	CAP,HUB(SPORT)	W/SPORT CAP(PA5)
PA6	76	84	WHEEL,STYLED(PAINTED)	W/STYLED WHL(PA6)
PB1	76	84	DISC,WHL(15 IN)	W/DLX DISC(PB1)
PB2	76	84	COVER,WHL TR(ABS PLSTC)(15 IN)	W/DLX CVR(PB2)
PB4	82	84	LOCK KIT,ALUM WHL	W/PB4
PB5	82	84	WHEEL,13X5 5 MILD STL	W/PB5
PB6	82	84	WHEEL,INCREASED SIZE(14")	W/PB6
PB7	82	84	WHEEL,14 X 6 PAINTED STYLE	W/STYLED WHL(PB7)
PC1	76	84	WHEEL,14X6(COLOR CODED)	W/PC1
PC3	76	81	WHEEL,14 X 6 POLYCAST	W/POLYCAST WHL(PC3)
PC6	82	84	WHEEL,14X5 5	W/PC6
PD7	84	84	WHEEL,14 X 6 5 CAST ALUMINUM	W/CAST ALUM(PD7)
PDB	85	85	WHEEL,14 X 6 STYLED ALUM	W/STYLED ALUM WHL(PDB)
PD9	84	84	WHEEL,13 X 5.0 MILD STEEL	W/PD9
PE1	76	84	WHEEL,14 X 7 POLYCAST	W/POLYCAST WHL(PE1)
PE2	76	81	WHEEL,15 X 7 POLYCAST,COLOR CODED	W/POLYCAST WHL(PE2)
PE3	76	81	WHEEL,14 X 7 POLYCAST,COLOR	W/POLYCAST WHL(PE3)
PE4	76	83	WHEEL,14X7 POLYCAST(TURBINE DES)	W/POLYCAST WHL(PE4)
PE5	82	83	WHEEL,RALLY V	W/RALLY WHL(PE5)
PG3	82	84	WHEEL,14 X 6.5 FORGED ALUM	W/FORGED ALUM(PG3)
PG4	82	84	WHEEL,14 X 5.5 ALUMINUM	W/ALUM WHL(PG4)
PG5	82	84	WHEEL,15X6 CAST ALUM	W/CAST WHL(PG5)
PG9	82	84	WHEEL,LIGHT METAL ALLOY	W/PG9
PH1	82	84	WHEEL,15X7JJ	W/PH1
PH2	76	84	WHEEL,15X6JJ	W/PH2
PH4	76	81	WHEEL,15 X 7,STL STYLED	W/STYLED WHL(PH4)
PH5	84	84	WHEEL,14 X 6 FORGED ALUMINUM	W/ALUM WHL(PH5)
PH6	82	84	WHEEL,15X6	W/PH6
PH7	82	83	WHEEL,15X7 FORGED ALUM	W/ALUM WHL(PH7)
PH8	76	84	WHEEL,WIRE	W/WIRE WHL(PH8)
PX1	84	84	WHEEL,13 X 5.5 CAST ALUMINUM	W/CAST ALUM(PX1)
PX2	82	84	WHEEL,RR(ALUM)	W/ALUM WHL(PX2)
PX3	83	83	WHEEL,13 X 5 HSLA	W/PX3
PY4	84	84	WHEEL,14 X 5.5 LIGHT METAL ALLOY	W/PY4
P01	76	84	COVER,DLX WHL TR	W/DLX CVR(P01)
P02	76	84	COVER,CUST WHL TR	W/CUST CVR(P02)
P03	76	84	CAP,BRI METAL HUB	W/BRI CAP(P03)
P05	76	81	WHEEL,CHROME (BUICK)	W/CHR WHL(P05)
P05	76	81	WHEEL,HONEYCOMB (PONTIAC)	W/HONEYCOMB WHL(P05)
P05	82	84	WHEEL,CHR	W/CHR WHL(P05)
P06	76	84	RING,WHL TR	W/TR RG(P06)
P08	76	84	COVER,WHL(SUPER DLX)	W/SUPER DLX CVR(P08)
P10	76	84	CARRIER,SPA TIRE	W/FRM MT WHL CARR(P10)
P11	76	84	CARRIER,GLIDE OUT SPA TIRE	W/GLIDE OUT WHL CARR(P11)
P12	76	84	WHEEL,14X6 CHR	W/CHR WHL(P12)
P13	76	84	CARRIER,SPA TIRE SI MT	W/SI MT WHL CARR(P13)
P14	76	84	CARRIER,I/S MT SPA TIRE,LH	W/I/S MT LH WHL CARR(P14)
P15	82	84	CARRIER,I/S MT SPA TIRE,RR	W/I/S MT RR WHL CARR(P15)
P17	76	84	COVER,SPA WHL & TIRE	W/P17
P20	82	83	CAP,BRI ALUM HUB	W/BRI CAP(P20)
P41	82	84	TIRE (EXPORT)	W/P41(EXPORT)
P42	82	84	TIRE,SELF SEALING	W/P42
QE6	84	84	WHEEL,16.5 X 6	W/QE6
Q34	76	84	WHEEL,19.5 X 6	W/Q34
R04	76	84	WHEELS,SINGLE RR	W/SINGLE RR WHLS(R04)
R05	82	84	WHEELS,DUAL RR CONVERSION	W/DUAL RR WHLS(R05)
TL1	76	84	GRILLE,SPL	W/SPL GRL(TL1)
TL4	76	81	GRILLE,PAINTED	W/PA GRL(TL4)
TL4	82	82	GRILLE,CUSTOM	W/CUST GRL(TL4)

MICROFICHE INDEX

GROUP 3.000

FICHE 2 OF 6

GROUP DESCRIPTION	STARTING GRID LOCATION	
	PARTS	ILLUSTRATIONS
- INTRODUCTION	A-6	I-2
- GENERAL INFORMATION	A-2	I-2
- ALPHABETICAL INDEX	C-11	N.A.
- INDEX FOR ADDITIONAL INFORMATION	A-5	N.A.
3.000 FUEL - EXHAUST - CARBURETION	E-2	I-6
- CARBURETOR CHARTS	F-20	N.A.
- OUT OF FICHE CALLS	N.A.	N-9

C-1

GM PRODUCTION OPTIONS

RPO	FY	LY	DIVISIONAL RPO DESCRIPTION	WDDGM RPO DESCRIPTION
TL4	83	84	GRILLE PAINTED	W/PA GRL(TL4)
TL6	76	84	GRILLE BLACK	W/BLK GRL(TL6)
TN4	82	83	ROD HOOD OPEN ASSIST	W/HOOD ASST ROD(TN4)
TP1	76	81	BATTERY HIGH CAPACITY	W/BAT(TP1)
TP2	76	84	BATTERY AUX CAMPER	W/AUX BAT(TP2)
TR9	76	84	LAMP GROUP	W/TR9
TT4	82	84	HEADLAMPS TUNGSTEN QUARTZ HALOGEN	W/QUARTZ HOLP(TT4)
TT5	76	84	HEADLAMPS TUNGSTEN QUARTZ HALOGEN	W/QUARTZ HOLP(TT5)
TU2	76	84	LAMP RR MKR	W/RR MKR LP(TU2)
T38	76	84	LAMPS PK & TURN SIG(AMBER LENS)	W/T38
T41	82	84	SHEET METAL FRT END SPECIAL	W/T41
T43	84	84	SPOILER REAR	W/RR SPLR(T43)
T44	76	83	LOCK INTR OPER HOOD	W/T44
T45	76	84	HOOD ALUM	W/ALUM HOOD(T45)
T46	76	83	HOOD STL	W/STL HOOD(T46)
T47	76	84	HOOD TURBO ALUM	W/TURBO HOOD(T47)
T48	76	81	HOOD RAM AIR SHAKER	W/T48
T48	82	83	HOOD SPORT STEEL	W/SPORT STL HOOD(T48)
T52	76	84	ORNAMENT FRT FDR	W/T52
T63	76	84	BUZZER HOLP ON WRNG	W/HOLP WRNG(T63)
T70	76	81	HEADLAMPS LHR ROUND(EXPORT)	W/T70(EXPORT)
T72	76	84	HEADLAMPS LH(2 RECTANGULAR)(EXPORT)	W/T72(EXPORT)
T79	82	84	LAMPS RR FOG(EXPORT)	W/T79(EXPORT)
T80	76	84	HEADLAMPS AUTO BEAM CONT	W/GUIDEMATIC(T80)
T81	82	84	LAMP DLX TAIL & STOP	W/DLX LP(T81)
T82	76	84	SENTINEL TWILIGHT	W/TWILIGHT SENT(T82)
T83	76	84	HEADLAMP DR(SPL)	W/T83
T84	76	84	HEADLAMP RH RULE OF ROAD(EXPORT)	W/T84(EXPORT)
T85	76	84	HEADLAMP LH RULE OF ROAD(EXPORT)	W/T85(EXPORT)
T86	84	84	LAMPS BACKUP	W/T86
T87	76	84	LAMP COR	W/COR LP(T87)
T89	82	84	LAMP SIG & MKG(EXPORT)	W/T89(EXPORT)
T90	76	84	LAMP SIG & MKG(EXPORT)	W/T90(EXPORT)
T93	76	84	LAMP TAIL & STOP(SPECIAL)	W/SPL TAIL & STOP LP(T93)
T96	82	84	LAMPS FRT FOG	W/T96
UA1	76	84	BATTERY H D	W/H D BAT(UA1)
UA2	76	84	SENTINEL MILES PER GAL DIGITAL READOUT	W/UA2
UA6	76	84	DETERRENT SYSTEM THEFT	W/ANTI-THEFT(UA6)
UA8	82	84	BATTERY SYSTEM RESV PWR	W/RESV PWR BAT(UA8)
UB7	76	81	CLUSTER ASM TRIP ODOMETER	W/TRIP ODOM(UB7)
UB8	82	84	HORN PACKAGE	W/HORN(UB8)
UD1	82	84	CLUSTER I/P(OIL & WAT)	W/GA(UD1)
UD2	84	84	ALARM VEHICLE SPEED(105 KPH)(EXPORT)	W/105 ALARM(UD2)(EXPORT)
UD4	84	84	ALARM VEHICLE SPEED(120 KPH)(EXPORT)	W/120 ALARM(UD4)(EXPORT)
UD6	84	84	OVERTEMP EXHAUST	W/UD6(EXPORT)
UD8	76	84	CLOCK VAC FLORESCENT DIGITAL	W/DIGIT CLK(UD8)
UE8	76	84	CLOCK ELEC DIGITAL	W/DIGIT CLK(UE8)
UF2	76	84	LAMP CARGO	W/CARGO LP(UF2)
UF3	76	81	LAMP SUN VISOR SUPPORT MAP	W/MAP LP(UF3)
UF7	76	84	GAGE I/P((EXC TACH)	W/GA(UF7)
UH1	76	81	ELECTRONIC LAMP MONITORING SYSTEM	W/LP MONITOR(UH1)
UH9	84	84	CLUSTER I/P(WAT TEMP TRIP ODO TURBO BOOS)	W/GA(UH9)
UJ1	82	84	INDICATOR BRAKE WARNING SYSTEM	W/IND(UJ1)
UJ3	76	84	INDICATOR WATER IN FUEL	W/IND(UJ3)
UJ5	82	84	CLUSTER I/P(WAT TEMP TRIP ODO & VOLTMETER	W/GA(UJ5)
UJ9	84	84	CLUSTER I/P(COOL TEMP VOLT TACH)	W/GA(UJ9)
UK1	82	84	RADIO FREQUENCY(JAPANESE)	W/UK1(EXPORT)
UK2	82	84	LEVER DIR SIG(EXPORT)	W/UK2(EXPORT)
UK3	84	84	ELECTRONIC SYSTEM ACCESSORY CONTROL	W/ELEK ACSRY CONT(UK3)
UL1	82	84	RADIO AM/FM STEREO(W/O SEEK/SCAN)	W/STEREO(UL1)
UL2	82	84	RADIO FREQUENCY(EUROPEAN)	W/UL2(EXPORT)
UL3	82	83	RADIO W/DIGITAL CLK AM/FM STEREO	W/STEREO(UL3)
UL5	82	84	RADIO DELETE	(EXC RDC)
UL6	82	84	RADIO W/CLK AM PUSHBUTTON	W/MONO(UL6)
UL7	82	83	RADIO AM/FM PUSHBUTTON W/DIGITAL CLK	W/MONO(UL7)
UL8	82	83	RADIO W/DIGITAL CLK AM/FM STEREO TAPE	W/STEREO(UL8)
UL9	82	84	RADIO W/DIGITAL CLK AM/FM STEREO CASSETTE	W/STEREO(UL9)
UM1	76	83	RADIO AM PUSHBUTTON TAPE	W/STEREO(UM1)
UM2	76	83	RADIO AM/FM STEREO PUSHBUTTON TAPE	W/STEREO(UM2)
UM3	76	81	RADIO AM/FM STEREO CLOCK & C.B.	W/C.B.(UM3)
UM4	76	84	RADIO W/DIGITAL CLK AM/FM STEREO TAPE ETR	W/STEREO(UM4)
UM5	76	83	RADIO W/CLK AM/FM STEREO TAPE REM C.B.	W/C.B.(UM5)

GM PRODUCTION OPTIONS

RPO	FY	LY	DIVISIONAL RPO DESCRIPTION	WDDGM RPO DESCRIPTION
UM6	76	84	RADIO AM/FM STEREO CASSETTE ETR	W/STEREO(UM6)
UM7	76	84	RADIO AM/FM STEREO ETR W/DIGITAL READOUT	W/STEREO(UM7)
UM8	82	84	RADIO AM/FM STEREO TAPE ETR	W/STEREO(UM8)
UN1	76	83	RADIO AM/FM STEREO CASSETTE C B	W/C B (UN1)
UN2	76	81	RADIO AM/FM STEREO SIGNAL SEEKING	W/STEREO(UN2)
UN3	76	81	RADIO AM/FM STEREO CASSETTE	W/STEREO(UN3)
UN3	82	84	RADIO AM/FM STEREO CASSETTE	W/STEREO(UN3) (EXPORT)
UN4	76	84	CARTRIDGE DELETE(EXPORT)	W/UN4(EXPORT)
UN5	76	84	RADIO AM/FM STEREO CASSETTE C B ETR	W/C B (UN5)
UN8	76	84	RADIO C B	W/C B (UN8)
UN9	76	84	RADIO SUPPRESSION EQUIP	W/UN9
UP1	76	83	RADIO AM/FM STEREO TAPE C B	W/C B (UP1)
UP4	76	81	RADIO AM/FM STEREO C B	W/C B (UP4)
UP5	76	81	RADIO AM/FM MONO C B	W/C B (UP5)
UP6	76	84	RADIO AM/FM STEREO C B	W/C B (UP6)
UP7	76	84	RADIO MONUARK: INSTL PROVISIONS	W/UP7
UP8	76	84	RADIO STEREO INSTL PROVISIONS	W/UP8
UQ1	76	84	RADIO STEREO FTR INSTL PROVISIONS	W/UQ1
UQ2	76	81	RADIO FULL FEATURE STEREO	W/UQ2
UQ3	76	81	AUDIO PWR BOOSTER	W/AUDIO PWR BOOSTER(UQ3)
UQ4	82	84	SPEAKER SYSTEM BOSE 4-SPKR W/AMPS	W/UG4(BOSE)
UQ5	84	84	SPEAKER 4 FRT DOOR COAX RR 1/4 E R	W/UQ5
UQ7	84	84	SPEAKER SYSTEM SUBWOOFER	W/UQ7
UQ9	84	84	SPEAKER SYSTEM (DELETE)	(EXC SPEAKER)
UR1	76	93	GAGE FUEL ECON	W/ECGN GA(UR1)
UR3	76	84	LIGHT FUEL ECON IND	W/ECON IND(UR3)
UR4	76	81	GAGE TURBO BOOST	W/TURBO BOOST GA(UR4)
US6	82	84	ANTENNA FIXED MAST (BLACK)	W/FIXED ANT(US6) (BLACK)
US7	84	84	ANTENNA POWER (BLACK)	(EXC C B) (BLACK)
UT1	76	84	BUZZER TONE GEN WRNG	W/UT1
UT2	84	84	RADIO AM/FM STEREO ETR (REMOTE CONT)	W/STEREO(UT2)
UT3	84	84	RADIO AM/FM STEREO ETR CASS (REMOTE CONT)	W/STEREO(UT3)
UT4	84	84	RADIO AM/FM STEREO ETR CASS W/EQ (REM CONT)	W/STEREO(UT4)
UU1	76	81	RADIO AM/FM STEREO MTR (FULL FEATURE)	W/UU1
UU2	76	81	RADIO AM/FM STEREO CASSETTE MTR (FULL FEA)	W/UU2
UU3	76	81	RADIO AM/FM STEREO 8-TRACK MTR (FULL FEA)	W/UU3
UU4	76	83	RADIO AM/FM STEREO CASSETTE DIGITAL DISPLAY	W/STEREO(UU4)
UU5	76	83	EQUALIZER STEREO GRAPHIC	W/UU5
UU6	82	84	RADIO AM/FM STEREO CASSETTE ETR W/CLK	W/STEREO(UU6)
UU7	82	84	RADIO AM/FM STEREO CASSETTE ETR	W/STEREO(UU7)
UU8	82	84	RADIO AM/FM STEREO CASSETTE ETR (DOLBY)	W/STEREO(UU8)
UU9	82	84	RADIO-AM-FM STEREO ETR W/O SEEK/SCAN & CLK	W/STEREO(UU9)
UV1	84	84	REMINDER VOICE SYNTHESIS	W/VOICE REMINDER(UV1)
UW1	82	84	CLUSTER DIAGNOSTIC	W/DIAGNOSTIC(UW1)
UW4	84	84	SPEAKER SYSTEM SIX (6) DUAL I/P & F/D	W/UW4
UW6	84	84	SHELF DUAL EXT RANGE PKG	W/UW6
UW8	82	84	RETAINER GARAGE DOOR TRANSMITTER	W/UW8
UW9	82	84	OPENER GARAGE DR REM CONT	W/GARAGE DR OPENER(UW9)
UX6	76	84	SPEAKER DUAL FRT DASH MT	W/UX6
UX7	76	84	SPEAKER DUAL FRT DR MT EXTENDED RANGE RR	W/UX7
UX9	76	81	SPEAKER FRT	W/UX9
UY1	76	84	WIRING CAMPER	W/CAMPER WRG(UY1)
UY7	76	84	WIRING CAMPER H D	W/CAMPER WRG(UY7)
UY8	76	81	RADIO AM/FM STEREO DIGITAL CLK	W/STEREO(UY8)
UY9	76	84	SPEEDO KILO/MILES MECH DISPLAY	W/SPEEDO(UY9)
UO1	76	84	LAMP RF MKR	W/RF MKR LP(UO1)
UO2	76	84	SPEEDO KILO/MILES (DIGITAL)	W/SPEEDO(UO2)
UO3	82	84	HORN NOISE REG (EXPORT)	W/UO3(EXPORT)
UO5	76	84	HORN DUAL	W/DUAL HORNS(UO5)
UO9	82	84	HORN FOURNOTE	W/FOURNOTE HORN(UO9)
U14	76	84	GAGE I/P	W/RALLY GA(U14)
U16	76	84	TACHOMETER	W/TACH(U16)
U17	76	84	CLUSTER INST (OIL COOLANT AMM CLK GAS TACH)	W/GA(U17)
U18	76	84	SPEEDO I/P (EXPORT)	W/U18 (EXPORT)
U19	76	84	SPEEDO I/P (CANADIAN)	W/SPEEDO(U19) (CANADIAN)
U21	76	84	CLUSTER W/TACH I/P	W/GA(U21)
U22	76	84	CLUSTER I/P (EXC TACH)	W/GA(U22)
U23	76	84	SPEEDO W/TRIP ODOM	W/TRIP ODOM(U23)
U25	76	84	LAMP LUG COMPT	W/LUG COMPT LP(U25)
U26	76	84	LAMP ENG COMPT	W/ENG COMPT LP(U26)
U27	76	84	LAMP I/P COMPT	W/I/P COMPT LP(U27)
U28	76	84	LAMP ASH TRAY	W/ASH TRAY LP(U28)
U29	76	84	LAMP I/P CTSY	W/CTSY LP(U29)

GM PRODUCTION OPTIONS

RPO	FY	LY	DIVISIONAL RPO DESCRIPTION	WDDGM RPO DESCRIPTION
U30	76	83	GAGE, AUX INST	W/C4(U30)
U35	76	84	CLOCK, ELEC (NON-DIGITAL)	W/STD CLK(U35)
U37	76	84	LIGHTER, CIGARETTE	W/U37
U38	76	83	WARNING, LOW COOLANT	W/CLNT WRNG(U38)
U40	76	84	TRIP MONITOR, DIGITAL READ OUT	W/DIGITAL ODOM(U40)
U41	76	84	INDICATOR, LOW FUEL	W/LOW FUEL IND(U41)
U46	76	84	MONITOR, EXTERNAL LAMP	W/LP MONITOR(U46)
U52	82	84	CLUSTER, I/P(ELECTRONIC)	W/DIGITAL(U52)
U57	76	81	PLAYER, TAPE	W/TAPE PLAYER(U57)
U58	76	84	RADIO, AM/FM, STEREO PUSHBUTTON	W/STEREO(U58)
U63	76	84	RADIO, AM, PUSHBUTTON	W/MONO(U63)
U64	76	84	SPEAKER, DUAL FRT DASH, DUAL STD RANGE RR	W/U64
U65	76	84	SPEAKER, 4-DUAL FRT DR MT, DUAL STD RANGE RR	W/U65
U66	76	84	SPEAKER, DUAL FRT DASH MT, DUAL EXTD RANGE RR	W/U66
U67	76	81	RADIO, RR CONT	W/STEREO(U67)
U69	76	84	RADIO, AM/FM MONO PUSHBUTTON	W/MONO(U69)
U72	76	81	ANTENNA, AUTO PWR	W/PWR ANT(U72)
U73	76	84	ANTENNA, STD/FIXED MAST	W/FIXED ANT(U73)
U74	76	81	ANTENNA, PWR RDO & C B	W/PWR ANT(U74)
U75	76	84	ANTENNA, PWR FDR	(EXC C B)
U76	76	84	ANTENNA, W/S EMBEDDED	W/W/S ANT(U76)
U79	84	84	SPEAKER, 4 DUAL FRT COAX DUAL ETR RR	W/U79
U80	76	84	SPEAKER, RR AUX	W/RR AUX SPKR(U80)
U81	76	84	SPEAKER, DUAL RR	W/DUAL RR SPKR(U81)
U83	76	84	ANTENNA, ELEC, RDO & 40 CHAN C B	1/C B
U89	76	84	HARNES, 5-WIRE CAR TRLR WRG	W/5-WIRE TRLR CBL(U89)
U90	76	81	HARNES, RF FLASHER W/RF PNL REINF	W/RF FLSHR(U90)
U92	76	81	SPEAKERS, FRT DUAL & RR DUAL	W/U92
U93	82	83	ANTENNA, MAN AM/FM C B TRIBAND	W/MAN ANT(U93)
U94	76	83	CABLE, 7-WIRE LIGHT TRLR(VAR 3)	W/7-WIRE TRLR CBL(U94)
U95	76	81	SPEAKERS, DOOR	W/U95
U96	76	84	SPEAKER, CONCERT SOUND(6 TOTAL)	W/U96
VA2	76	84	SUPPORT, RAD(STL)	W/STL RAD SUPT(VA2)
VA3	76	83	SUPPORT, RAD(ALUM)	W/ALUM RAD SUPT(VA3)
VB2	76	84	BUMPER, W/IMPACT STRIP, RR STEP(PAINTED)	W/PA STEP BPR(VB2)
VB3	76	84	BUMPER, W/IMPACT STRIP, RR STEP(CHR)	W/CHR STEP BPR(VB3)
VB4	76	84	SAUDI ARABIA PKG(EXPORT)	W/VB4(EXPORT)
VD1	76	84	EUROPEAN MODIFICATIONS(EXPORT)	W/VD1(EXPORT)
VD2	76	81	MOLDING, BPR	W/MLDG(VD2)
VD4	82	83	REINFORCEMENT, FRT BPR(STL)	W/STL FRT BPR REINF(VD4)
VD5	82	84	REINFORCEMENT, RR BPR(STL)	W/STL RR BPR REINF(VD5)
VD6	82	84	REINFORCEMENT, FRT BPR(ALUM)	W/ALUM FRT BPR REINF(VD6)
VD7	82	84	REINFORCEMENT, RR BPR(ALUM)	W/ALUM RR BPR REINF(VD7)
VE1	76	84	JAPANESE MODIFICATIONS(EXPORT)	W/VE1(EXPORT)
VE5	76	84	STRIP, FRT & RR BPR IMPACT	W/IMPACT STR(VE5)
VE6	76	84	BUMPER, FRT & RR PA(W/IMPACT STRIPS)	W/FRT & RR PA BPR(VE6)
VF1	76	84	BUMPER, RR CHR	W/CHR BPR(VF1)
VF5	76	81	BUMPER, CAR COLOR	W/RUB BPR STR(VF5)
VF6	76	84	BUMPER, RR STEP	W/STEP BPR(VF6)
VF9	76	81	BUMPER, FRT & RR RUB PROTECTED, W/GUARDS	W/VF9
VG3	76	84	STRIP, FRT BPR IMPACT	W/IMPACT STR(VG3)
VG5	76	84	STRIP, RR BPR IMPACT	W/IMPACT STR(VG5)
VG7	76	81	REINFORCEMENT, FRT BPR	W/FRT BPR REINF(VG7)
VG8	76	81	REINFORCEMENT, RR BPR(CALIF & FLORIDA)	W/RR BPR REINF(VG8)
VG9	76	81	GUARD, FRT BPR	W/GUARD(VG9)
VH6	82	84	BLACK BUMPER	W/BLK BPR(VH6)
VH7	84	84	BUMPER, CUSTOM	W/CUST BPR(VH7)
VID	76	81	RADIO, AM/FM STEREO & TAPE W/O EJECT	W/STEREO(VID)
VJ5	82	84	MOUNTING, LICENSE PLATE	W/LIC MTG(VJ5)(EXPORT)
VJ6	82	84	POCKET, LIC PLT RR	W/RR LIC PLT PKT(VJ6)
VJ7	82	84	BRACKET, W/LAMP, RR LIC PLT	W/RR LIC PLT BRKT & LP(VJ7)
VJ9	76	84	CALIFORNIA EMISSION COMPLIANCE INFORMATION	W/CALIF(VJ9)
VK1	76	83	PLATE, FRT LIC MT PKG-DELETE	(EXC FRT PLT MT PKG)
VK3	76	84	MOUNTING, FRT LIC PLT	W/FRT LIC MT(VK3)
VL4	84	84	PLATE, FRT MTG LIC	W/VL4(EXPORT)
VN1	76	81	CALIF MODIFICATIONS	W/VN1
VN2	76	81	GEORGIA MODIFICATIONS	W/VN2
VN3	76	81	FLORIDA MODIFICATIONS	W/VN3
VP1	82	83	SPOILER, LWR FRT	W/FRT SPLR(VP1)
VP6	82	83	NOISE LEVEL CONTROL	W/VP6
VR2	76	84	HITCH, TRLR(DEAD WT)	W/STD HITCH(VR2)
VR4	76	84	HITCH, TRLR(WT DISTRIBUTING PLTF)	W/EQLZR HITCH(VR4)

GM PRODUCTION OPTIONS

RPO	FY	LY	DIVISIONAL RPO DESCRIPTION	WDDGM RPO DESCRIPTION
VR5	76	81	BALL, TRAILER HITCH (1 7/8")	W/1 7/8" BALL(VR5)
VR6	76	81	BALL, TRAILER HITCH (2")	W/2" BALL(VR6)
VT3	76	84	BUMPER, W/IMPACT STR, FRT PAINTED(DLX)	W/FRT PA BPR(VT3)
VT4	76	84	BUMPER, W/IMPACT STR, RR PAINTED(DLX)	W/RR PA BPR(VT4)
VT7	82	84	EXPORT, UNREGULATED COUNTRIES	W/VT7(EXPORT)
VU9	84	84	FLASHLITE MTG	W/VU9(EXPORT)
V1H	76	81	PAINT, TWO TONE	W/TWO TONE(V1H)
V4S	76	81	DELEGANCE	W/DELEGANCE(V4S)
V4S	83	85	BROUGHAM DELEGANCE	W/BROUGHAM DELEGANCE(V4S)
V4T	76	84	DELEGANCE	W/DELEGANCE(V4T)
V4W	76	84	DISC, WHL TURBINE	W/WHL DISC(V4W)
V01	76	84	R/DIATOR, H D	W/H D C (V01)
V02	76	84	RADIATOR, H D W/H D TRANS OIL COOLER	W/H D C (V02)
V03	82	84	RADIATOR, EXTRA CAPACITY COOLING	W/H D C (V03)
V05	76	84	COOLING, H D	W/H D C (V05)
V08	76	84	RADIATOR, H D COOLING	W/H D C (V08)
V10	82	84	COLD CLIMATE PKG	W/COLD CLIMATE(V10)
V13	82	84	COLD CLIMATE PKG(DELETE)	(EXC COLD CLIMATE)
V22	76	84	GRILLE, RAD(CHR)	W/CHR GRL(V22)
V28	76	84	GUARD, FRT BPR(PAINTED)	W/FRT PA GUARDS(V28)
V30	76	84	GUARD, FRT & RR BPR	W/GUARDS(V30)
V31	76	84	GUARD, FRT BPR(CHR)	W/FRT CHR GUARDS(V31)
V32	76	84	GUARD, RR BPR	W/RR GUARDS(V32)
V35	84	84	BUMPER, RR W/RECESSED LIGHTS	W/RECS LT BPR(V35)
V37	76	84	BUMPER, FRT & RR(CHR)	W/CHR BPR(V37)
V38	76	81	BUMPER, RR PAINTED	W/PA BPR(V38)
V39	84	84	CONTROL I D, INTERNATIONAL SYMBOLS	W/V39(EXPORT)
V42	76	84	BUMPER, RR STEP(CHR)	W/CHR STEP BPR(V42)
V43	76	84	BUMPER, RR STEP(PAINTED)	W/PA STEP BPR(V43)
V46	76	84	BUMPER, FRT(CHR)	W/FRT CHR BPR(V46)
V50	82	84	FRAME, RR LIC PLT	W/LIC PLT FRM(V50)
V51	82	84	FRAME, FRT & RR LIC PLT	W/LIC PLT FRM(V51)
V54	76	83	CARRIER, RF PNL & LUG	W/RF & LUG CARR(V54)
V55	76	84	CARRIER, RF LUG	W/RF LUG CARR(V55)
V58	76	84	CARRIER, DECK LID LUG	W/LUG CARR(V58)
V62	76	81	JACK, AUTO	W/JACK(V62)
V65	76	83	BUMPER, LT DTY	W/LT DTY BPR(V65)
V69	82	84	TRAILER PROVISIONS	W/TRLR(V69)
V70	82	84	HOOKS, TOWING(EXPORT)	W/V70(EXPORT)
V76	76	84	HOOK, FRT TOW	W/FRT TOW HOOK(V76)
V78	82	84	PLATE, LESS CERTIFICATE OF COMPLIANCE	W/V78(EXPORT)
V81	76	83	TRAILER PROVISIONS	W/TRLR(V81)
V82	76	83	TRAILER PROVISIONS, CLASS 2 2000-35000	W/TRLR(V82)
V83	76	81	TRAILER PROVISIONS, CLASS 3 3500-5000	W/TRLR(V83)
WA3	76	81	SEAT, ADJ. 6-WAY DRIVER & PAS3	W/6-WAY(WA3)
WA5	76	81	SPEAKER, DUAL FRT & RR	W/DUAL SPKR(WA5)
WB2	76	81	PROMOTIONAL PACKAGE	W/MONDAY NIGHT SPL(WB2)
WB5	76	83	ELECTRA ESTATE WAGON	W/ELECTRA ESTATE WAGON(WB5)
WB7	76	81	TOP, LANDAU FORMAL WDO GROUP	W/RR VNL(WB7)
WB9	76	81	PALM BEACH OPTION	W/PALM BEACH(WB9)
WC3	76	83	MOLDING, RKR-RR QTR & WHL OPG	W/WC3
WDB	83	84	SKYHAWK T-TYPE	W/SKYHAWK T-TYPE(WDB)
WEB	83	84	CENTURY T-TYPE	W/CENTURY T-TYPE(WEB)
WF5	76	81	TRIM, CUSTOM	W/CUST TR(WF5)
WF6	76	84	MOLDING GROUP	W/WF6
WH1	84	84	REGAL DESIGNER PACKAGE	W/REGAL DESIGNER PKG(WH1)
WH2	76	81	SKYHAWK FREE SPIRIT, DESIGN II	W/FREE SPIRIT(WH2)
WH6	76	81	NIGHT HAWK DECOR PKG	W/NIGHT HAWK(WH6)
WJ4	82	84	FIRENZA COUPE, SPECIAL EDITION	W/FIRENZA COUPE SPL EDITION(WJ4)
WJ5	84	84	CIERRA COUPE, SPECIAL EDITION	W/CIERRA SPL EDITION(WJ5)
WJ7	84	84	TRIM, INTERIOR LEATHER	W/LEA TRIM(WJ7)
WJ8	76	81	STARFIRE SX PKG	W/S X (WJR)
WJB	84	84	APPEARANCE PACKAGE, TORONADO SPECIALTY CAR	W/TORONADO APPEAR PKG(WJB)
WK2	76	84	DELTA ROYALE BROUGHAM	W/DELTA ROYALE BROUGHAM(WK2)
WK3	84	84	DELTA ROYALE BROUGHAM "LS"	W/DELTA ROYALE BROUGHAM LS(WK3)
WK9	82	84	REGENCY BROUGHAM SEDAN	W/REGENCY BROUGHAM SEDAN(WK9)
WS4	76	84	TRANS AM OPTION	W/TRANS AM(WS4)
WS6	76	84	PERFORMANCE PACKAGE, SPECIAL	W/SPL PERF PKG(WS6)
WS7	76	84	HANDLING PACKAGE, SPECIAL	W/SPL HDL PKG(WS7)
WS9	76	81	PHOENIX APPEARANCE PKG	W/PHOENIX(WS9)
WS9	82	84	LEADER, FUEL ECON	W/WS9
WU2	76	81	GT OPTION	W/GT, WU2)

GM PRODUCTION OPTIONS

RPO	FY	LY	DIVISIONAL RPO DESCRIPTION	WDDGM RPO DESCRIPTION
WU7	76	83	SEAT, THIRD CUSTOM	W/WU7
WU9	76	81	MOLDING, WINDOW REVEAL	W/WDO RVL MLDG(WU9)
WV6	76	81	GRAPHICS PKG(GOLD)	W/WV6
WV7	76	81	GRAPHICS PKG(CHARCOAL)	W/WV7
WV8	76	81	GRAPHICS PKG(BLUE)	W/WV8
WV9	76	81	GRAPHICS PKG(RED)	W/WV9
WW1	76	81	LESS CONSOLE	(EXC CNSL)
WW3	76	81	CAN AM OPTION	W/CAN AM(WW3)
WW8	76	81	GAGE, RALLY, W/I/P TACH & CLK	W/RALLY GA(WW8)
WW9	83	84	SPORT LANDAU OPTION	W/SPORT LANDAU(WW9)
WX3	76	81	RAM AIR, SHAKER HOOD	W/WX3
WY5	76	81	SUSPENSION, RADIAL TUNED	W/R.T.S. (WY5)
WY5	82	84	SPECIAL HANDLING PACKAGE	W/SPL HDL PKG(WY5)
WY6	82	84	SPECIAL PERFORMANCE PACKAGE	W/SPL PERF PKG(WY6)
W02	76	81	APPLIQUE, WOODGRAIN	W/WDGRN(W02)
W03	82	84	REGAL LIMITED SEDAN OPTION	W/REGAL LIMITED SEDAN(W03)
W04	82	84	CENTURY LIMITED COUPE OPTION	W/CENTURY LIMITED COUPE(W04)
W05	82	84	REGAL LIMITED COUPE	W/REGAL LIMITED COUPE(W05)
W06	76	81	TRIM, CUSTOM	W/CUST TR(W06)
W06	84	84	CENTURY ESTATE WAGON	W/CENTURY ESTATE WAGON(W06)
W07	76	81	CENTURY SPORT COUPE	W/SPORT COUPE(W07)
W08	76	81	TRIM, CUSTOM	W/CUST TR(W08)
W09	82	84	CENTURY LIMITED SEDAN OPTION	W/CENTURY LIMITED SEDAN(W09)
W10	76	84	PARK AVENUE OPTION	W/PARK AVE(W10)
W11	82	82	REGAL SPORT COUPE	W/REGAL SPORT COUPE(W11)
W11	83	84	REGAL T-TYPE	W/REGAL T-TYPE(W11)
W12	76	81	SKYHAWK PKG	W/SKYHAWK(W12)
W13	76	81	CENTURY, TURBO COUPE	W/TURBO COUPE(W13)
W14	76	81	LESABRE SPORT COUPE	W/LESABRE SPORT COUPE(W14)
W15	76	81	TRIM, CUSTOM	W/CUST TR(W15)
W17	76	81	TRIM, INTERIOR DELUXE	W/DLX TR(W17)
W17	82	84	LIMITED PACKAGE (SKYHAWK)	W/LIMITED PKG(W17)
W18	76	82	SPORT OPTION (SKYLARK)	W/SPORT OPT(W18)
W18	83	84	SKYLARK T-TYPE	W/SKYLARK T-TYPE(W18)
W19	76	84	TRIM, CUST	W/CUST TR(W19)
W21	76	81	TRIM, CUSTOM	W/CUST TR(W21)
W22	76	33	TRIM, CUST	W/CUST TR(W22)
W24	76	81	TRIM, CUSTOM	W/CUST TR(W24)
W29	76	81	442 APPEARANCE PKG	W/442 GRP(W29)
W30	76	81	HURST/OLDS PKG	W/HURST PKG(W30)
W40	82	84	HURST/OLDS SPECIALITY CAR	W/W40
W44	76	81	CONVERTIBLE TOP, SIMULATED	W/CONVR RF APPEAR(W44)
W45	82	84	EUROPEAN COUPE	W/EUROPEAN COUPE(W45)
W47	84	84	FIRENZA "ES"	W/FIRENZA ES(W47)
W48	76	84	EUROPEAN STYLING	W/W48
W49	80	81	C-4 CLOSED LOOP	W/W49
W50	76	84	APPEARANCE GROUP, SPECIAL	W/APPEAR GRP(W50)
W51	84	84	APPEARANCE OPTION, BLACK EXTR	W/APPEAR OPT(W51)
W52	76	81	TBI, BUILT	W/W52
W53	76	81	TWO-TONE SPECIAL APPEARANCE(GRP II)	W/W53
W55	82	83	EXHAUST SYSTEM, LT WT	W/LT WT EXH(W55)
W56	82	83	EXHAUST SYSTEM, STD	W/STD EXH(W56)
W60	76	81	ESPIRIT SPECIAL APPEARANCE	W/ESPIRIT(W60)
W62	76	81	LUXURY APPOINTMENT GROUP	W/LUX TR(W62)
W62	82	84	AERO PACKAGE	W/W62
W63	76	81	GAGE & CLOCK, RALLY	W/RALLY GA(W63)
W64	76	91	SUNBIRD WAGON, SPL PARTS GRP	W/SUNBIRD GRP(W64)
W65	76	81	STEREO SPKR, W/MONO RDO	W/MONO(W65)
W65	84	84	LOCK PKG, SECURITY	W/LOCK PKG(W65)
W66	76	81	FORMULA OPT GRP	W/FORMULA(W66)
W67	76	81	ESPIRIT, LUXURY	W/ESPIRIT(W67)
W68	76	81	ESPIRIT, SPL APPEARANCE RED BIRD	W/ESPIRIT(W68)
W69	76	84	S/E OPTION (SPECIAL EDITION)	W/SPL EDITION(W69)
W70	76	81	LEMONS SPORT	W/LEMONS SPORT(W70)
W70	84	84	SPORT PACKAGE, TWO-TONE	W/SPORT PKG(W70)
W71	76	81	SEAT, CUSTOM	W/CUST ST(W71)
W72	76	81	PERFORMANCE PKG	W/PERF OPT(W72)
W73	76	81	ESPIRIT, SPECIAL APPEARANCE	W/ESPIRIT(W73)
X26	82	83	MISC EQUIPMENT-NEW ZELAND(EXPORT)	W/X26(EXPORT)
YA1	76	81	DECOR PKG, LUV TRUCK	W/DECOR PKG(YA1)
YC1	76	81	COMFORT & CONV PKG#1/MID-LEVEL	W/DECOR PKG(YC1)

GM PRODUCTION OPTIONS

RPO	FY	LY	DIVISIONAL RPO DESCRIPTION	WDDGM RPO DESCRIPTION
YC1	82	84	DURANGO EQUIPMENT	W/YC1
YC2	76	81	COMFORT & CONV. PKG#2/LUXURY	W/DECOR PKG(YC2)
YC2	82	84	TAHOE EQUIPMENT	W/YC2
YC3	76	81	COMFORT & CONV. PKG#3/PERSONAL LUXURY	W/DECOR PKG(YC3)
YC3	82	84	SPORT EQUIPMENT	W/YC3
YC5	85	85	DECOR PKG. COMFORT & CONV#1(MID LEVEL)	W/YC5
YC6	85	85	DECOR PKG. COMFORT & CONV#2(LUXURY)	W/YC6
YC6	76	81	WOODGRAIN CUSTOM ESTATE	W/WOGRN(YC6)
YD1	82	84	TRAILER PKG. H. D.	W/H D. TRLR(YD1)
YE4	76	81	INTERIOR & EXTERIOR DELUXE	W/DLX GRP(YE4)
YE7	76	84	SPORT PKG. GMC "SP"	W/GMC SPORT(YE7)
YE9	76	84	SILVERADO/SIERRA CLASSIC	W/SILVERADO/SIERRA(YE9)
YG1	76	84	MOLDING, BODY SI UPR & LWR WHL OPG(PAINTED)	W/YG1
YG2	76	81	WOODGRAIN INSERT & NAMEPLATE	W/WOGRN(YG2)
YG3	82	84	MOLDING, BODY ST & WHL OPG(BRI)	W/YG3
YG5	82	84	"SS" SPORT MODIFICATION PACKAGE	W/SS PKG(YG5)
YG6	76	81	BONANZA PKG. A. ROYAL SIERRA PKG. A.	W/YG6
YG7	76	81	BONANZA PKG. B. ROYAL SIERRA PKG. B.	W/YG7
YG8	76	81	BONANZA PKG. C. ROYAL SIERRA PKG. C.	W/YG8
YG9	84	84	SPECIAL COMPONENTS CELEBRITY Z	W/CELEBRITY Z(YG9)
YH9	76	81	INTERIOR DELUXE	W/YH9
YJ8	76	81	WHEEL, CAST ALUMINUM	W/CAST ALUM WHL(YJ8)
YK3	76	81	PACKAGE, FRT & RR SHK ABS ELIMPITCH	W/ELIMI-PITCH(YK3)
YK3	82	83	ABSORBER, FRT & RR SHK & ELIMPITCH	W/ELIMI-PITCH(YK3)
YL1	82	84	UPHOLSTERY, LEATHER/VINYL	W/YL1
YL2	82	84	PAINT, FIREMIST	W/FIREMIST(YL2)
YL4	82	84	RUB STRIPE INSERT (WHITE)	W/RUB STR INS(YL4)
YM5	82	83	STRIPE, ACNT (DELETE)	(EXC ACNT STRIPE)
YM6	76	84	HEADREST, JAPAN(EXPORT)	W/YM6(EXPORT)
YP3	76	84	ELDORADO, CUSTOM BIARRITZ	W/BIARRITZ(YP3)
YP4	76	84	ELEGANTE	W/ELEGANTE(YP4)
YP5	76	81	PHAETON, SPECIAL EDITION	W/PHAETON(YP5)
YP5	82	84	ELDORADO, TOURING COUPE OPTION	W/ELDORADO TOURING(YP5)
YP7	82	84	CIMARRON LIMITED EDITION	W/LTD EDITION(YP7)
YP8	84	84	ELDORADO CONVERTIBLE	W/ELDORADO CONV(YP8)
YR1	76	84	SEAT, FRT CUSTOM	W/CUST ST(YR1)
YR2	76	84	SEAT, FRT DLX	W/DLX ST(YR2)
YR3	82	84	SEAT, FRT LUX	W/LUX ST(YR3)
YS1	76	84	SEAT, RR CUSTOM	W/CUST ST(YS1)
YS2	76	84	SEAT, RR DLX	W/DLX ST(YS2)
YS3	82	83	SEAT, RR LUX	W/LUX ST(YS3)
YT1	76	84	BUILD-UP, CUST DR AND QTR	W/CUST DR AND QTR(YT1)
YT2	76	84	BUILD-UP, CUST DR AND QTR(DLX)	W/CUST DR AND QTR(YT2)
YT3	82	83	BUILD-UP, LUX DR AND QTR	W/LUX DR AND QTR(YT3)
YT6	76	84	TRIM, SPL INT BUILD-UP	W/YT6
YT7	82	83	REMINDER GROUP	W/YT7
Y5A	84	84	BODY, MILITARY 5250 COMM SHELTER (TYPE E)	W/Y5A
Y5B	84	84	BODY, MILITARY AMBULANCE (TYPE C)	W/Y5B
Y5C	84	84	BODY, MILITARY TRP & CARGO CARRIER (TYPE B)	W/Y5C
Y5D	84	84	BODY, AMBULANCE (COMPLETE PKG)	W/Y5D
Y5E	84	84	GENERATOR, DUAL DELCO 66 AMP	W/66 AMP(Y5E)
Y5F	84	84	GENERATOR, DUAL DELCO 100 AMP	W/100 AMP(Y5F)
Y5G	84	84	GENERATOR, DUAL DELCO 200 AMP	W/200 AMP(Y5G)
Y5J	84	84	RADIO PROVISION, SPECIAL MILITARY	W/Y5J
Y5P	84	84	MILITARY TROOP SEATS PKG	W/Y5P
Y5R	84	84	CAB/CHASSIS, MILITARY (TYPE D)	E/Y5R
Y02	76	81	SEAT ASM, FRT CUSTOM	W/CUST ST(Y02)
Y03	76	81	SEAT ASM, RR CUSTOM	W/CUST ST(Y03)
Y06	82	84	PANEL, COWL KICK(CARPETED)	W/CPT COWL(Y06)
Y07	76	84	MOLDING, SI WDO RVL(PAINTED)	W/PA SI WDO RVL(Y07)
Y10	76	81	BUILD UP, CUSTOM DOOR & QUARTER	W/CUST DR & QTR(Y10)
Y11	76	81	SEAT ASM, SPECIAL FRT	W/SPL DES ST(Y11)
Y12	76	81	SEAT ASM, SPECIAL RR	W/SPL DES ST(Y12)
Y13	76	81	TRIM, SPECIAL DOOR	W/SPL DES TR(Y13)
Y19	76	81	MOLDING, BODY SIDE LOWER	W/BODY SI LWR(Y19)
Y40	76	81	COOLING, HEAVY DUTY	W/H D. CLG(Y40)
Y43	76	81	ROAD HAWK PKG	W/ROAD HAWK(Y43)
Y44	82	84	REGAL SPORT COUPE DECOR OPTION	W/REGAL SPORT COUPE(Y44)
Y48	76	81	REGAL SR PKG	W/REGAL SR(Y48)
Y48	84	84	ELECTRA T-TYPE	W/ELECTRA T-TYPE(Y48)
Y49	76	81	DESIGNER CONCEPT CAR, SOMERSET II	W/SOMERSET(Y49)
Y50	82	84	RIVIERA, SPORTY T-TYPE	W/RIVIERA T-TYPE(Y50)
Y52	82	83	REGAL DECOR OPTION	W/REGAL DECOR(Y52)

GM PRODUCTION OPTIONS

RPO	FY	LY	DIVISIONAL RPO DESCRIPTION	WDDGM RPO DESCRIPTION
Y53	84	84	RIVIERA C R T SPECIALTY CAR	W/RIVIERA C R T (Y53)
Y55	76	81	REMINDER PKG GROUP	W/Y55
Y57	82	84	LAMP AND INDICATOR GROUP	W/Y57
Y59	76	81	V8 ECONOMY PKG	W/FUEL ECON EQUIP(Y59)
Y59	84	84	SOMERSET REGAL	W/SOMERSET REGAL(Y59)
Y61	76	81	OMEGA LS	W/LS(Y61)
Y64	76	81	STARFIRE GT PKG	W/GT(Y64)
Y65	76	81	FIRENZ PKG	W/Y65
Y66	76	81	OMEGA SX PKG	W/SX(Y66)
Y67	76	81	REMINDER PKG	W/FLUID LVL INC(Y67)
Y67	82	84	REMINDER GROUP	W/Y67
Y68	76	81	CUSTOM APPEARANCE PKG	W/APPEAR PKG(Y68)
Y69	76	83	ECONOMY PACKAGE DIESEL (350 DIESEL)	W/DIESEL ECON PKG(Y69)
Y70	76	81	STRIPES BODY SI DECAL	W/ACNT STRIPE(Y70)
Y71	76	84	PAINT LWR BODY SCHEME	W/Y71
Y72	76	81	TRAILER TOWING COOLING & GEN PKG	W/H D CLG(Y72)
Y74	82	84	MOLDING, PKR PNL AND WHL OPG	W/Y74
Y76	76	81	MARKETING GRP OPTION	W/Y76
Y76	82	83	REMINDER GROUP	W/Y76
Y77	76	81	ECONOMY PKG (ESEL1260 DIESEL)	W/DIESEL ECON PKG(Y77)
Y78	76	77	CUTLASS SALON OPTION	W/AS7
Y78	78	78	CUTLASS CALAIS OPTION	W/AK47
Y78	76	81	88 HOLIDAY COUPE	W/Y78
Y78	76	81	SPORT OMEGA PKG	W/SPORT PKG(Y78)
Y78	82	84	CUTLASS CALAIS	W/CUTLASS CALAIS(Y78)
Y80	76	81	EXTERIOR CUSTOM	W/CUST EXTR(Y80)
Y81	82	83	CONVERTIBLE CONVERSION PACKAGE	W/CONVR(Y81)
Y82	82	84	LIMITED EDITION OPTION	W/LIMITED(Y82)
Y83	76	81	APPOINTMENTS OPTION LJ LUXURY	W/LJ LUX(Y83)
Y83	82	81	GRAND PRIX LJ OPTION	W/GRAND PRIX LJ(Y83)
Y84	76	84	TRANS AM SPL EDITION	W/TRANS AM(Y84)
Y85	76	81	TRANS AM SPECIAL EDITION	W/Y85
Y87	76	84	BROUGHAM OPTION	W/BROUGHAM(Y87)
Y88	76	81	TRANS AM SPECIAL EDITION(GOLD)	W/Y88
Y88	83	84	SEDAN 6000 STE	W/STE(Y88)
Y89	76	81	TRANS AM SILVER ANNIVERSARY	W/Y89
Y89	92	83	LANDAU OPTION BROUGHAM	W/LANDAU BROUGHAM(Y89)
Y90	76	81	TRIM CUSTOM	W/CUST TR(Y90)
Y90	84	84	SPECIAL SPORT AND HANDLING PKG	W/SPORT HDL PKG(Y90)
Y91	82	84	LE OPTION	W/LE(Y91)
Y92	82	84	SE OPTION	W/SE(Y92)
Y94	82	82	J2000 S OPTION	W/S(Y94)
Y95	82	84	RALLYE OPTION	W/RALLYE(Y95)
Y96	76	81	FIRM RIDE OPTION	W/FIRM RIDE(Y96)
Y97	76	83	SJ OPTION	W/SJ(Y97)
Y97	84	84	SE OPTION	W/SE(Y97)
Y98	82	84	RIDE CONTROL SYSTEM ELECTRONIC	W/ELEM RIDE CONT(Y98)
Y99	76	84	HANDLING PACKAGE	W/HDL(Y99)
ZE1	82	84	STRIPES BODY SI LWR(CANADIAN)	W/ZE1(CANADIAN)
ZE7	82	84	RESTRAINT ST BELT & SHLDR HARN(CANADIAN)	W/ZE7(CANADIAN)
ZE9	82	84	STRIPES BODY SI LWR(CANADIAN)	W/ZE9(CANADIAN)
ZF2	82	83	CAVALIER SPORTS PKG (CANADIAN)	W/ZF2(CANADIAN)
ZF3	82	83	SPORT PACKAGE CANADIAN	W/ZF3(CANADIAN)
ZF4	82	84	ACADIAN OPTION	W/ZF4(CANADIAN)
ZF5	82	84	ACADIAN OPTION	W/ZF5(CANADIAN)
ZJ1	76	81	INTERIOR TWO-TONE CUSTOM	W/CUST INTR(ZJ1)
ZJ2	76	81	EXTERIOR CUSTOM MOLDING	W/CUST EXTR(ZJ2)
ZJ5	76	81	MOLDING LWR EXTERIOR	W/LWR MLDG(ZJ5)
ZJ6	82	84	FUEL ECONOMY PKG	W/ECON PKG(ZJ6)
ZJ7	76	84	WHEEL SPL HUB CAP & TR RING	W/RALLY WHL(ZJ7)
ZJ9	76	81	LIGHTING GROUP AUXILIARY	W/AUX LTG(ZJ9)
ZF3	82	84	PACKAGE SPL INTR(EXPORT)	W/ZK3(EXPORT)
ZL9	76	81	INTERIOR LUXURY	W/LUX INTR(ZL9)
ZM1	76	81	CARAVAN PKG	W/ZM1
ZM2	76	84	TRIM BOVAVENTURE	W/ZM2
ZM4	76	81	NOMAD/GYPSY	W/ZM4
ZM9	76	81	BEAUVILLE TRIM RALLY STX	W/ZM9
ZN1	76	81	TRAILERING PKG	W/TRLR(ZN1)
ZN5	76	81	WHEEL RALLY(PAINTED BODY COLOR)	W/RALLY WHL(ZN5)
ZQ2	82	84	OPERATING CONVENIENCE GROUP	W/ZQ2
ZQ8	84	84	SPORT CHASSIS PKG	W/ZQ8
ZV8	84	84	EUROSPORT CELEBRITY	W/EUROSPORT CELEBRITY(ZV8)

GM PRODUCTION OPTIONS

RPO	FY	LY	DIVISIONAL RPO DESCRIPTION	WDDGM RPO DESCRIPTION
ZW2	76	81	EMISSION HEAVY DUTY ENG	W/ZW2
ZW9	82	84	BASE BODY OR CHASSIS	W/ZW9
ZX5	82	84	APPEARANCE PKG. VALUE	W/ZX5
ZX6	76	81	CHASSIS HEAVY DUTY	W/ZX6
ZY7	82	84	PAINT LOWER ACCENT	W/ZY7
ZY8	82	84	PAINT MID ACCENT	W/ZY8
Z5B	82	83	SEO OVERRIDE OF MV4 FOR POLICE & TAXI	W/Z5B
Z5J	84	84	SEO OVERRIDE OF RPO U25 LUGG COMPT LP	W/Z5J
Z5T	76	84	SEO OVERRIDE OF LM1 FOR POLICE & TAXI	W/Z5T
Z5B	84	84	SEO OVERRIDE OF RPO JA2 H D BRAKE	W/Z5B
Z01	76	81	MONZA SPYDER	W/SPYDER(Z01)
Z02	76	81	APPEARANCE PKG MONZA SPYDER	W/SPYDER APPEAR(Z02)
Z03	76	81	LANDAU EQUIPMENT	W/FRT VNL(Z03)
Z04	76	81	MONTE CARLO CLASSIC	W/Z04
Z05	76	83	APPEARANCE PKG. 2-TONE & STRIPING	W/Z05
Z06	76	84	INTERIOR LUXURY	W/LUX INTR(Z06)
Z07	76	84	TRUCK SPL ECON	W/SPL ECON(Z07)
Z08	92	84	CONVERTIBLE EQUIPMENT PKG	W/CONVR PKG(Z08)
Z11	82	83	CADET OPTION	W/CADET(Z11)
Z12	76	84	APPEARANCE PACKAGE	W/Z12
Z13	82	84	ORNAMENTATION EXTR SPORT PKG	W/SPORT(Z13)
Z14	76	81	ENGINE PROCESSING NON INTEGRATED	W/NON-INTEGRAL HO(Z14)
Z14	82	83	TRIM CUST INTR	W/Z14
Z15	76	84	SPORT EQUIPMENT SPL SS PKG	W/SPL SS PKG(Z15)
Z16	76	81	SPORT DECOR(BLACK KNIGHT)	W/Z16
Z16	82	84	SPORT DECOR ROYAL KNIGHT	W/ROYAL KNIGHT(Z16)
Z18	82	84	SPORT DECOR	W/SPORT(Z18)
Z19	76	81	SPORT PKG SPECTR	W/Z19
Z19	82	84	SPORT PKG. X11	W/SPORT(Z19)
Z20	76	81	MONTE CARLO LIMITED EDITION	W/Z20
Z22	82	82	SUPER FUEL ECONOMY MODEL	W/Z22
Z24	85	85	SPORT COUPE	W/SPORT COUPE(Z24)
Z25	76	81	LAGUNA TYPE S3	W/LAGUNA S3(Z25)
Z26	76	81	NOVA RALLY	W/RALLY(Z26)
Z28	82	84	PERFORMANCE PACKAGE SPECIAL	W/Z28
Z29	76	81	GT SPORT	W/GT(Z29)
Z29	76	81	SPYDER EQUIPMENT	W/SPYDER(Z29)
Z32	82	83	CANADIAN PARISIENNE PONTIAC	W/Z32(CAN PONT B)
Z33	82	83	CANADIAN PONTIAC PARISIENNE BROUGHAM	W/Z33(CAN PONT B)
Z36	82	84	PACKAGE PONTIAC CONVERSION	W/Z36(CANADIAN)
Z46	82	83	PJ-OPTION(CANADIAN)	W/Z46(CANADIAN)
Z46	84	84	COMPETITIVE EDGE PROGRAM	W/Z46(CANADIAN)
Z47	82	83	KC-OPTION(CANADIAN)	W/Z47(CANADIAN)
Z48	82	83	FX-OPTION(CANADIAN)	W/Z48(CANADIAN)
Z49	76	84	MANDATORY CANADIAN BASE EQUIP MODIFICATIONS	W/Z49(CANADIAN)
Z50	82	83	INDIANAPOLIS COMMEMORATIVE PKG	W/INDY PKG(Z50)
Z53	76	84	GAUGE OIL METER OIL PRESS & TEMP	W/RALLY GA(Z53)
Z54	76	81	INTERIOR DECOR(SILENT SOUND GRP)	W/INTR DECOR(Z54)
Z55	82	83	TOP REMOVABLE(LT SLATE-TEXTURED)	W/Z55
Z56	92	83	TOP REMOVABLE(DK BRONZE-TEXTURED)	W/Z56
Z57	82	83	TOP REMOVABLE(DK BLUE-TEXTURED)	W/Z57
Z58	76	84	TOP REMOVABLE(WHITE-TEXTURED)	W/Z58
Z59	76	84	TOP REMOVABLE(BLACK-TEXTURED)	W/Z59
Z60	76	81	MONZA	W/MONZA(Z60)
Z60	82	83	TOP REMOVABLE(ALMOND-TEXTURED)	W/Z60
Z61	76	81	CUSTOM GROUP	W/CUST GRP(Z61)
Z62	76	84	SCOTTSDALE/SIERRA OPTION	W/SCOTTSDALE/SIERRA(Z62)
Z64	76	81	CUTWAY VAN	W/Z64
Z65	82	84	SPORT PACKAGE-MERCHANDISING OPTION	SEE VDS
Z71	84	84	OFF ROAD CHASSIS PKG	W/OFF ROAD PKG(Z71)
Z72	82	84	TRAILERING PKG LT DUTY	W/LT DUTY TRLR(Z72)
Z73	76	84	TRIM SPL INTR	W/Z73
Z75	76	84	SHOCKS FRT QUAD	W/FRT QUAD SHKS(Z75)
Z76	82	84	CHASSIS SPL COMMERCIAL	W/Z76
Z77	76	81	CHEVY SPORT OR GMC STREET COUPE	W/Z77
Z78	76	81	APPEARANCE PKG	W/Z78
Z80	82	84	TRIM EXTR SPL	W/Z80
Z81	82	84	CAMPER SPL	W/Z81
Z82	82	84	TRAILERING PKG SPL	W/TRLR PKG(Z82)
Z83	82	83	CAMPER DLX PKG	W/Z83
Z84	76	81	CHEYENNE HIGH SIERRA	W/Z84
Z85	76	81	SPORT PKG	W/RALLY SPORT(Z85)
Z87	76	81	FACIA FLEXIBLE FRT END	W/Z87

GM PRODUCTION OPTIONS

RPO	FY	LY	DIVISIONAL RPO DESCRIPTION	WDDGM RPO DESCRIPTION
Z88	76	84	CONVERSION GMC	W/GMC(Z88)
Z94	76	81	CONVERTER SYSTEM CANADIAN OXIDIZING	W/Z94(EXPORT)
Z98	82	83	CONVERSION CANADIAN PONTIAC	W/Z98(CANADIAN)



CHEVROLET ALL GROUPS



ALPHABETICAL INDEX

ALPHABETICAL INDEX

A

ABSORBER, Bumper Energy Absorber	7.840
ABSORBER, Front and Rear	7.345
ABSORBER, Steering Linkage	6.865
ACCUMULATOR, A.C. Refrigerant	9.195
ACTUATOR, A.C. Control Vacuum	9.280
ACTUATOR, Air Distributor	9.786
ACTUATOR, Concealed Headlamp Control Drive	2.760
ACTUATOR, Door Electric and Vacuum Locks	10.485
ACTUATOR, Exhaust Manifold Heat Valve	3.640
ACTUATOR, Headlamp Dimmer	2.459
ACTUATOR, Heater Temperature Control	8.850
ACTUATOR, Ignition Switch Warning, Lock or Headlamp	2.195
ACTUATOR KIT, Ignition Switch Warning, Lock or Headlamp	2.195
ACTUATOR, Plenum Air	9.789
ACTUATOR, Transmission Parking Brake	4.290
ACTUATOR, Windshield Wiper Access	10.130
ADAPTER & SLEEVE KIT, Steering Gear Hydraulic Valve	6.551
ADAPTER, Air Distributor	9.262
ADAPTER, Air Distributor	9.786
ADAPTER, Air Injection Reactor	3.675
ADAPTER KIT, Steering Gear Hydraulic Valve	6.551
ADAPTER, Oil Distribution	1.531
ADAPTER, Oil Filter	1.840
ADAPTER, Radio Antenna	9.647
ADAPTER, Speedometer Driven Gear	4.329
ADAPTER, Steering Column	6.521
ADAPTER, Steering Gear Hydraulic	6.550
ADJUSTER, Front Seat Adjuster	11.561
ADJUSTER, Steering Gear Worm Bearing	6.830
ADJUSTER, Steering Gear Lash Adjuster	6.822
AMMETER, Instrument Panel	2.515
AMPLIFIER, Distributor	2.383
ANTENNA, Radio (With Motor)	9.645
ANTENNA, Radio Antenna	9.647
ANTI SQUEAK, Accelerator Pedal	3.451
ARM, Air Distributor	9.786
ARMATURE KIT, Radio Antenna	9.647
ARMATURE, Starter Motor	2.043
ARMATURE, Windshield Wiper Motor	10.150
ARM, Engine Valve Rocker	0.333
ARM KIT, Engine Valve Rocker	0.333
ARM KIT, Steering Knuckle	6.103
ARM, Rear Axle Control	5.382
ARM REST, Front Door Arm Rest	14.686
ARM, Steering Knuckle Upper & Lower Control	6.168
ARM, Steering Pitman	6.859
ARM, Turn Signal Lamp	2.895
ARM, Windshield Wiper Motor Drive	10.151
ARM, Windshield Wiper Blade	10.147
ARRESTOR, Crankcase	1.745

B

BAFFLE, Carburetor and Fuel Meter Fuel Inlet	3.740
BAFFLE, Carburetor to Manifold	3.726

BAFFLE, Oil Pan	1.430
BAFFLE, Radiator Air	1.272
BAFFLE, Rear Quarter Side Inner	12.941
BAFFLE, Suction Throttling (P.O.A.)	9.198
BAG, Roof Panel	12.810
BAIL, Brake Master Cylinder	4.651
BALANCER, Engine Crankshaft	0.659
BALL, A.C. Compressor (Internal Parts)(Axial)	9.172
BALL, Carburetor Pump Outlet Valve	3.825
BALL, Engine Valve	0.459
BALL, Engine Valve Adjusting	0.429
BALL, Fuel Tank Filler	12.945
BALL JOINT, Front Wheel Lower Control Arm	6.174
BALL JOINT KIT, Upper Control Arm Shaft	6.164
BALL PKG, Trailer(Group 7.068)	21.250
BALL, Steering Gear Worm	6.844
BALL, Transmission Control Valve	4.265
BALL, Transmission Governor	4.256
BALL, Transmission Input and Turbine Shaft	4.123
BALL, Transmission Pressure Regulator and Oil Pump	4.216
BALL, Transmission Shift Shaft Detent	4.311
BALL, Windshield Wiper Motor	10.150
BAND, Transmission Brake	4.251
BAND, Transmission Clutch	4.163
BAR, Bumper Face	7.831
BAR, Carburetor Throttle	3.762
BAR KIT, Bumper Face	7.831
BAR, License Plate	7.800
BAR, Radiator Grille	1.262
BASE, Air Cleaner to Carburetor Mounting	3.406
BASE, Front Seat Adjuster	11.561
BEAD KIT, Catalytic Converter	3.685
BEARING, A.C. Compressor Pulley	9.181
BEARING, A.C. Compressor (Internal Parts)(Axial)	9.172
BEARING, A.C. Compressor (Internal parts)(Radial)	9.172A
BEARING, Concealed Headlamp Control Opening Cover	2.765
BEARING, Differential Drive Pinion	5.484
BEARING, Differential Drive Pinion Front	5.447
BEARING, Differential Side	5.536
BEARING, Engine Camshaft Thrust	0.533
BEARING, Engine Camshaft	0.539
BEARING, Engine Clutch Release fork	0.799
BEARING, Engine Crankshaft Clutch Pilot	0.649
BEARING, Engine Fan Coolant	1.060
BEARING, Front Wheel Inner	6.311
BEARING, Front Wheel Outer	6.313
BEARING, Generator Drive End	2.306
BEARING, Generator Slip Ring End Frame	2.298
BEARING, Idler Pulley	4.850
BEARING, King Pin Thrust	6.210
BEARING KIT, Engine Connecting Rod	0.616
BEARING KIT, Engine Crankshaft	0.096
BEARING KIT, Rear Wheel	5.855
BEARING KIT, Transmission Overhaul	4.005
BEARING KIT, Transmission Rear Internal Gear	4.187
BEARING KIT, Transmission Sun Gear	4.159
BEARING, Power Brake Booster(Vacuum)	4.924
BEARING, Rear Axle U Joint	5.428
BEARING, Rear Wheel	5.855
BEARING, Steering Column	6.521

ALPHABETICAL INDEX

BEARING, Steering Gear Shaft	6.525	BOLT, Flywheel	0.679
BEARING, Steering Gear Thrust	6.835	BOLT, Folding and Hard Top	14.080
BEARING, Steering Gear Pitman Shaft	6.786	BOLT, Folding Top Compartment Lid	12.242
BEARING, Transmission Sun Gear	4.159	BOLT, Front Fender Molding	8.133
BEARING, Transmission Main Shaft Rear (Output)	4.408	BOLT, Fuel Tank Mounting Strap	3.023
BEARING, Transmission Housing	4.162	BOLT, Generator	2.313
BEARING, Transmission Oil Pump	4.226	BOLT, Generator Mounting	2.277
BEARING, Transmission Clutch	4.164	BOLT, Hardtop	13.346
BEARING, Transmission Rear	4.408	BOLT, Hood Latch	8.085
BEARING, Transmission Reverse Idler Gear Thrust	4.437	BOLT, Hood Panel	8.015
BEARING, Transmission Output Shaft or Carrier Thrust	4.176	BOLT, Hub or Drum (Front and Rear Wheel)	5.812
BEARING, Transmission Main Drive Gear	4.355	BOLT, Intake & Exhaust Manifold	3.275
BEARING, Transmission Synchronizer	4.384	BOLT KIT, Battery Cable	2.343
BEARING, Transmission Mainshaft	4.352	BOLT KIT, Bumper Energy Absorber	7.840
BEARING, Transmission Reverse Idler Gear Thrust	4.437	BOLT KIT, Steering Gear Shaft	6.525
BEARING, Transmission Planet Carrier	4.176	BOLT, Oil Filter	1.840
BEARING, Transmission Main Drive Gear	4.355	BOLT, Radiator	1.270
BEARING, Transmission Low Sun Gear and Clutch	4.162	BOLT, Radio	9.650
BEARING, Turn Signal Lamp	2.895	BOLT, Radio Mounting	9.667
BELLOWS, Windshield Washer Pump	10.153	BOLT, Radio Static Suppression	9.663
BELT, Drive Belts	1.066	BOLT, Rear Axle Control Arm	5.383
BEZEL, Door Outside Handle	10.537	BOLT, Rear Axle Housing	5.398
BEZEL, Exhaust Tail Pipe	3.705	BOLT, Rear Axle U Joint	5.428
BEZEL, Fuel Tank Filler	12.945	BOLT, Rear Compartment Lid and End Gate	12.184
BEZEL, Headlamp	2.728	BOLT, Rear Spring	7.506
BEZEL, Headlamp Switch	2.487	BOLT, Rear Spring and Axle	7.529
BEZEL, Heater Control	8.852	BOLT, Ring Gear	5.531
BEZEL, Hood Panel Ornamentation	8.055	BOLT, Roof Panel	12.810
BEZEL, Instrument Cluster	9.743	BOLT, Seat Back	11.381
BEZEL, License Plate	7.800	BOLT, Seat Belt	14.875
BEZEL, Radio Antenna	9.647	BOLT, Shock Absorber	7.380
BEZEL, Rear Compartment Lid and Rear End Panel	12.182	BOLT, Shock Absorber	7.347
BEZEL, Rear Compartment Floor	12.981	BOLT, Spare Wheel Mounting	7.632
BEZEL, Rear View Mirror	10.186	BOLT, Stabilizer	7.240
BEZEL, Side Marker and Hazard Flasher	2.575	BOLT, Starter Motor	2.042
BEZEL, Tail Lamp Lens	2.689	BOLT, Starter Motor Shoe	2.077
BEZEL, Windshield Wiper Control	10.166	BOLT, Steering Column Housing	6.500
BINDING, Carpet	15.294	BOLT, Steering Column Attaching	6.760
BINDING, Rear Floor	15.306	BOLT, Steering Connecting Rod	6.874
BLADDER, Fuel	3.001	BOLT, Steering Gear Housing Side Cover	6.809
BLADE, Windshield Wiper	10.146	BOLT, Steering Gear Mounting	6.509
BLOCK, Battery(Positive)	2.342	BOLT, Steering Gear Shaft	6.525
BLOCK, Engine	0.033	BOLT, Steering Idler and Third Arm Shaft	6.181
BOARD, Windshield Wiper Motor	10.150	BOLT, Steering Knuckle Lower Control Arm	6.172
BODY, Carburetor	3.729	BOLT, Steering Knuckle Upper Control Arm	6.178
BODY, Oil Filter	1.837	BOLT, Steering Linkage	6.865
BODY, Power Brake Booster(Vacuum)	4.922	BOLT, Steering Pump Idler	6.665
BODY, Transmission Governor	4.256	BOLT, Steering Pump Mounting	6.606
BODY, Transmission Oil Pump	4.224	BOLT, Steering Relay & Tie Rod	6.104
BOLT, A.C. Compressor Mounting	9.171	BOLT, Transmission	4.115
BOLT, Air Injection Reactor Pump	3.655	BOLT, Transmission Case Extension	4.319
BOLT, Battery Hold Down	2.334	BOLT, Transmission Control	4.032
BOLT, Body Moldings	12.118	BOLT, Transmission Converter	4.115
BOLT, Brake Cylinder and Pedal Shaft	4.648	BOLT, Transmission Extension	4.319
BOLT, Brake Flange Plate	5.002	BOLT, Transmission Housing	4.162
BOLT, Brake Hose	4.671	BOLT, Transmission Mount and Support	4.085
BOLT, Brake Shoe Anchor Pin	5.056	BOLT, Transmission Oil Pan	4.197
BOLT, Bumper Mounting	7.874	BOLT, Transmission Oil Pump	4.226
BOLT, Clutch Release Lever	0.873	BOLT, Transmission Parking Brake	4.290
BOLT, Cruise Control	3.887	BOLT, Universal Joint Bearing and Flange	5.586
BOLT, Differential Carrier	5.506	BOLT, Windshield Wiper Access	10.130
BOLT, Door Window Regulator	10.792	BOLT, Windshield Wiper Motor	10.150
BOLT, Emission Control System	3.671	BONDING STRIP, Body Rear End(Plastic Laminated)	12.986
BOLT, Energy Absorber Bar Guide	7.829	BONDING STRIP, Front Fender	8.141
BOLT, Engine Clutch	0.864	BONDING STRIP, Radiator	1.263
BOLT, Engine Clutch Cover to Flywheel	0.862	BONDING STRIP, Rear Compartment Floor	12.981
BOLT, Engine Connecting Rod Cap	0.623	BOOSTER, Power Brake(Vacuum)	4.901
BOLT, Engine Coolant Pump	1.073	BOOT, auto Jack	8.820
BOLT, Engine Crankshaft Pulley and Balancer	0.662	BOOT, Brake Master Cylinder Rod	4.659
BOLT, Engine Cylinder Head	0.293	BOOT, Cruise Control	3.885
BOLT, Engine Flywheel	0.669	BOOT, Engine Clutch Release Fork	0.797
BOLT, Engine Main Bearing Cap	0.056	BOOT, Seat Belt	14.875
BOLT, Engine Mounting	0.002	BOOT, Transmission Control Lever	4.015
BOLT, Engine Oil Pump	1.652	BOOT, Windshield Wiper Access	10.130
BOLT, Engine Valve Rocker Arm Cover	0.413	BOWL, Carburetor Float	3.734
BOLT, Exhaust Manifold End Bolt	3.604	BOWL, Steering Column	6.518
BOLT, Exhaust Manifold Heater	3.602	BOW, Roof	12.952
BOLT, Exhaust Pipe	3.613	BRACE, A.C. Compressor Mounting	9.171
BOLT, Exhaust System Attaching	3.708	BRACE, Air Injection Reactor Pump	3.655
		BRACE, Bumper	7.836
		BRACE, Floor Console	10.240
		BRACE, Frame Front Cross Member	7.039
		BRACE, Front Body Hinge Pillar	12.840

WAREHOUSING DISTRIBUTION DIVISION OF GENERAL MOTORS CORPORATION—CHEVROLET—14A

ALPHABETICAL INDEX

BRACE, Generator	2 317	BRACKET, Radiator to Grille	1 287
BRACE, Radiator and Front End Tie	1 271	BRACKET, Radiator Fan	1 277
BRACE, Rear Compartment Floor	12 981	BRACKET, Radiator Grille and Front End Panel	1 267
BRACE, Shroud and Dash and Vent Duct	12 804	BRACKET, Radio Antenna	9 647
BRACE, Starter Motor	2 042	BRACKET, Radio Mounting	9 667
BRACE, Steering Column Attaching	6 760	BRACKET, Radio Static Suppression	9 663
BRACE, Steering Pump Mounting	6 606	BRACKET, Rear Axle Control Arm	5 380
BRACKET, A.C. Compressor Mounting	9 171	BRACKET, Rear Compartment	12 247
BRACKET, A.C. Compressor	9 242	BRACKET, Rear Compartment Floor	12 981
BRACKET, A.C. Condenser	9 190	BRACKET, Rear Compartment Lid Release	12 243
BRACKET, A.C. Refrigerant	9 196	BRACKET, Rear Hatch Window	12 187
BRACKET, Accelerator Pedal Lever	3 454	BRACKET, Rear View Mirror	10 186
BRACKET, Air Cleaner Air Intake	3 417	BRACKET, Roof Panel	12 810
BRACKET, Air Distributor	9 786	BRACKET, Roof Trim Headlining	14 640
BRACKET, Air Injection Reactor Pump	3 655	BRACKET, Seat Back Locking	11 390
BRACKET, Air Injection Reactor	3 675	BRACKET, Shock Absorber Anchor	7 395
BRACKET, Back Up Lamp	2 698	BRACKET, Shock Absorber	7 380
BRACKET, Battery Cable	2 343	BRACKET, Spare Wheel	7 629
BRACKET, Body Mount Rear	7 330	BRACKET, Spark Plug Wire	2 251
BRACKET, Brake Flange	5 001	BRACKET, Speedometer to Instrument Panel(Domestic)	9 761
BRACKET, Brake Hose or Pipe	4 681	BRACKET, Stabilizer Shaft	7 242
BRACKET, Bumper Energy Absorber	7 840	BRACKET, Steering Column Attaching	6 760
BRACKET, Bumper Mounting	7 809	BRACKET, Steering Idler Arm	6 896
BRACKET, Carburetor throttle	3 444	BRACKET, Steering Pump Mounting	6 606
BRACKET, Carburetor Air Cleaner Controls	3 415	BRACKET, Stop Lamp	2 447
BRACKET, Chassis Wiring Harness	2 559	BRACKET, Tachometer	9 750
BRACKET, Chassis Wiring	2 48C	BRACKET, Towing	7 068
BRACKET, Concealed Headlamp Motor	2 755	BRACKET, Transmission Support	7 011
BRACKET, Concealed Headlamp Control Opening Cover	2 765	BRACKET, Transmission Control Switch	4 060
BRACKET, Concealed Headlamp Control Drive	2 760	BRACKET, Transmission Control Lever	4 010
BRACKET, Cruise Control	3 885	BRACKET, Transmission Control Lock Cable	4 070
BRACKET, Cruise Control	3 880	BRACKET, Transmission Detent Control	4 050
BRACKET, Differential Carrier Mounting	5 500	BRACKET, Transmission Mounting	4 083
BRACKET, Distributor	2 383	BRACKET, Transmission Shift Control Cable	4 047
BRACKET, Distributor	2 393	BRACKET, Transmission Control Lock Cable	4 070
BRACKET, Dome and Reading Lamp	11 927	BRACKET, Transmission Control Indicator	4 020
BRACKET, Door Arm Rest Trim	14 690	BRACKET, Transmission Parking Brake	4 290
BRACKET, Door Electric and Vacuum Locks	10 485	BRACKET, Transmission Mounting	4 083
BRACKET, Door Lock	10 569	BRACKET, Transmission Control Cable	4 047
BRACKET, Early Fuel Evaporation Control	3 140	BRACKET, Transmission Control Lever	4 010
BRACKET, Emission Control System	3 671	BRACKET, Transmission Gearshift Hand Lever	4 010
BRACKET, Engine Air Cooling(Electrical)	1 055	BRACKET, Transmission Gearshift Shaft	4 030
BRACKET, Engine Clutch Control	0 852	BRACKET, Transmission Park Lock	4 220
BRACKET, Engine Cooling	1 219	BRACKET, Transmission Control Lever	4 010
BRACKET, Engine Fuel	3 890	BRACKET, Transmission Shift Control	4 030
BRACKET, Engine Lift	0 004	BRACKET, Transmission Support	4 083
BRACKET, Engine Mounting	0 029	BRACKET, Transmission Control Lock Cable	4 070
BRACKET, Exhaust Manifold Heater	3 602	BRACKET, Windshield Wiper Access	10 130
BRACKET, Exhaust Mounting	3 706	BRACKET, Windshield Wiper Control	10 163
BRACKET, Exhaust Muffler	3 704	BRACKET, Windshield Washer	10 154
BRACKET, Floor Console	10 240	BREAKER, Body Harness	13 095
BRACKET, Floor Pan	12 980	BREAKER, Headlamp	2 487
BRACKET, Folding and Hard Top	14 080	BREATHER, Carburetor Air Cleaner	3 407
BRACKET, Folding Top Front Roof	14 050	BRIDGE, Generator	2 319
BRACKET, Frame Front Cross Member	7 039	BRUSH, Distributor Cap Retaining	2 368
BRACKET, Front Door Trim Binding Strip	14 683	BRUSH, Generator	2 285
BRACKET, Front Seat Adjuster	11 561	BRUSH, Generator Brush	2 291
BRACKET, Generator Mounting	2 277	BRUSH, Starter Motor	2 351
BRACKET, Hardtop	13 346	BRUSH, Windshield Wiper Motor	7 150
BRACKET, Headlamp Adjuster	2 737	BUMPER, Back Window Reveal Molding	7 209
BRACKET, Heater	8 846	BUMPER, Bumper to Body	7 833
BRACKET, Heater	8 845	BUMPER, Bumper Face	7 831
BRACKET, Heater and Defroster	8 857	BUMPER, Door	10 587
BRACKET, Heater Control	8 852	BUMPER, Door Window	10 716
BRACKET, Hood Latch	8 085	BUMPER, Engine Clutch Pedal	0 829
BRACKET, Hood Latch	8 080	BUMPER, Folding and Hard Top	14 080
BRACKET, Hydraulic Steering Cylinder	6 575	BUMPLR, Folding Top Compartment	12 170
BRACKET, Ignition Coil Mounting	2 183	BUMPER, Fuel Tank Filler	12 945
BRACKET, Ignition Switch Warning, Lock or Headlamp	2 195	BUMPER, Hardtop	13 246
BRACKET, Instrument Cluster	9 744	BUMPER, Hood Panel Closing	8 024
BRACKET KIT, Exhaust Mounting	3 706	BUMPER, License Plate	7 800
BRACKET KIT, Headlamp Adjuster	2 737	BUMPER, Power Brake Booster Reaction	4 934
BRACKET KIT, Radio Antenna	9 647	BUMPER, Rear Axle	5 395
BRACKET KIT, Steering Pump Mounting	6 606	BUMPER, Rear Compartment Floor	12 981
BRACKET KIT, Transmission Control Lever	4 010	BUMPER, Rear Spring	7 535
BRACKET, License Plate	7 800	BUMPER, Seat Back	11 381
BRACKET, Luggage Carrier	12 815	BUMPER, Seat Back Locking	11 390
BRACKET, Outside Air	9 787	BUMPER, Steering Column	6 514
BRACKET, Parking Brake Cable	4 785	BUMPER, Steering Knuckle Control Arm	6 176
BRACKET, Plenum Air	9 789	BUSHING, A.C. Compressor (Internal Parts)(Axial)	9 172
BRACKET, Power Steering Hose	6 672	BUSHING, A.C. Condenser	9 190
BRACKET, Radiator	1 270	BUSHING, Brake Pedal	4 626

ALPHABETICAL INDEX

BUSHING, Bumper Mounting	7 865	CABLE, Front Fender	8 141
BUSHING, Carburetor Throttle Control	3 425	CABLE, Fuel Injection Distributor	3 340
BUSHING, Concealed Headlamp Control Opening Cover	2 765	CABLE, Hood Latch Release	8 075
BUSHING, Distributor	2 401	CABLE KIT, Tachometer	9 750
BUSHING, Door Hinge	10 464	CABLE KIT, Transmission to Speedometer	4 342
BUSHING, Door Window Regulator	10 792	CABLE, Outside Air	9 787
BUSHING, Engine Clutch Pedal	0 831	CABLE, Parking Brake	4 779
BUSHING, Engine Clutch Lever & Shaft	0 851	CABLE, Radio Antenna	9 647
BUSHING, Exhaust Manifold Heat	3 647	CABLE, Rear Compartment Lid Release	12 243
BUSHING, Folding Top	14 340	CABLE, Seat Belt	11 875
BUSHING, Folding Top Compartment	12 170	CABLE, Tachometer	9 750
BUSHING, Folding Top Side Roof Rail	14 160	CABLE, Throttle Control	3 430
BUSHING, Front Seat Bottom Hinge	11 375	CABLE, Transmission to Speedometer	4 342
BUSHING, Fuel Tank Filler	12 945	CABLE, Transmission to Speedometer	4 342
BUSHING, Heater Control	8 852	CABLE, Transmission to Speedometer	4 342
BUSHING, Horn Button Blowing	2 819	CABLE, Transmission Control Lock Cable	4 070
BUSHING, Instrument Panel Ash Tray	12 009	CABLE, Transmission Detent Control	4 050
BUSHING, Oil Pressure Gage	1 803	CABLE, Transmission Shift Control Cable	4 047
BUSHING, Quarter Window Sash	11 007	CABLE, Turn Signal Lamp	2 895
BUSHING, Rear Axle	5 417	CALIBRATOR, Emission Control System	3 670
BUSHING, Rear Axle Control Arm	5 381	CAM, Carburetor and Fuel Injection Fast Idle	3 766
BUSHING, Rear Compartment Floor	12 951	CAM, Carburetor Pump	3 842
BUSHING, Rear Spring	7 504	CAM CONVERSION KIT, Turn Signal Switch Cancelling	2 896
BUSHING, Rear Spring Shackles	7 524	CAM, Distributor	2 331
BUSHING, Rear View Mirror	10 186	CAM, Front Door Window Lower Sash Channel	10 687
BUSHING, Roof Panel	12 810	CAM, Fuel Tank Meter	3 107
BUSHING, Speedometer to Instrument Panel(Domestic)	9 761	CAM, Horn Button Blowing	2 819
BUSHING, Stabilizer Shaft	7 243	CAM, Rear Axle	5 417
BUSHING, Starter Motor Drive End	2 083	CAMSHAFT, Engine	0 519
BUSHING, Steering Column	6 521	CAM, Transmission Clutch	4 167
BUSHING, Steering Gear Pitman Shaft	6 786	CAM, Transmission Shift Shaft Detent	4 311
BUSHING, Steering Knuckle Lower Control Arm	6 170	CAM, Turn Signal Switch Cancelling	2 896
BUSHING, Steering Knuckle King Pin	6 021	CAM, Windshield Washer Pump	10 153
BUSHING, Transmission Clutch	4 169	CANISTER, Fuel Tank Evaporator Control(Engine End)	3 130
BUSHING, Transmission Planet Carrier	4 176	CAP, A.C. Compressor	9 177
BUSHING, Transmission Oil Pump	4 203	CAPACITOR, Distributor	2 393
BUSHING, Transmission Rear Main Bearing	4 319	CAPACITOR, Generator	2 319
BUSHING, Transmission Safety Starting Switch	4 054	CAPACITOR, Radio Static Suppression	9 663
BUSHING, Transmission Extension	4 319	CAPACITOR, Rear Window Defogger	9 778
BUSHING, Transmission Governor	4 256	CAPACITOR, Stop Lamp	2 447
BUSHING, Transmission Extension	4 319	CAP, Back Window Reveal	11 208
BUSHING, Transmission Clutch(Low & Reverse)	4 180	CAP, Brake Master Cylinder	4 651
BUSHING, Transmission Sun Gear and Shaft	4 161	CAP, Carburetor Float	3 734
BUSHING, Transmission Clutch	4 168	CAP, Crankcase Oil Filler	1 758
BUSHING, Transmission Sun Gear	4 159	CAP, Distributor	2 367
BUSHING, Transmission Output Shaft or Carrier	4 175	CAP, Door Outside Lock Cylinder	10 552
BUSHING, Transmission Clutch	4 169	CAP, Door Window Regulator	10 792
BUSHING, Transmission Case Extension	4 319	CAP, Engine Coolant Pump	1 073
BUSHING, Transmission Housing	4 162	CAP, Engine Coolant Recovery	1 240
BUSHING, Transmission Oil Pump	4 226	CAP, Engine Main Bearing	0 095
BUSHING, Transmission Output Shaft or Carrier	4 176	CAP, Engine Valve Spring	0 309
BUSHING, Transmission Safety Starting Switch	4 054	CAP, Front Wheel Hub Grease	6 330
BUSHING, Transmission Control Rod To Lever	4 037	CAP, Fuel Tank Evaporator Control(Engine End)	3 130
BUSHING, Transmission Case	4 104	CAP, Fuel Tank Filler	3 028
BUSHING, Transmission Control Lever	4 008	CAP, Horn Button	2 820
BUSHING, Transmission Input	4 158	CAP, Intake Manifold Vacuum	3 278
BUSHING, Upper Control Arm Shaft	6 164	CAP, Luggage Carrier	12 815
BUSHING, Windshield Reveal Molding	10 093	CAP, Radiator Filler	1 203
BUSHING, Windshield Wiper Control	10 163	CAP, Radio Antenna	9 647
BUSHING, Windshield Wiper Access	10 130	CAP, Rear Axle	5 417
BUTTON, Distributor	2 381	CAP, Rear Axle U Joint	5 428
BUTTON, Door Outside Handle	10 529	CAP, Roof Drip	12 075
BUTTON, Seat Back Locking	11 390	CAP, Roof Panel	12 810
BUTTON, Side Marker and Hazard Flasher	2 575	CAP, Steering Column	6 518
BUTTON, Transmission Gearshift Control (Hand)	4 006	CAP, Steering Pump	6 635
BUTTON, Transmission Control Lever	4 006	CAP, Suction Throttling (P.O.A.)	9 198
BUZZER, Headlamp Warning	2 461	CAPSULE, Headlamp	2 725
BUZZER, Ignition Switch Warning, Lock or Headlamp	2 195	CAP, Tire Valve And Cover Lock	5 875
BUZZER, Seat Belt	14 875	CAP, Transmission Governor	4 256
		CAP, Wheel Trim	5 858
		CAP, Windshield Washer	10 154
		CAP, Windshield Wiper Motor Drive	10 151
		CARBURETOR, Carburetor	3 724
		CARBURETOR, Carter	3 725C
		CARBURETOR, Holly	3 725E
		CARBURETOR, Rochester	3 725
		CARPET, Front Floor	15 266
		CARPET MATERIAL, Yardage	15 512
		CARPET, Rear Floor	15 306
		CARPET, Yardage	15 512
		CARRIAGE, Front Seat Adjuster	11 561
CABLE, Battery(Negative)	2 341		
CABLE, Battery(Positive)	2 342		
CABLE, Cruise Control	3 880		
CABLE, Folding Top Compartment Lid	12 242		
CABLE, Folding Top Compartment	12 170		
CABLE, Folding Top Trim Hold Down	14 102		

C

ALPHABETICAL INDEX

CARRIER, Differential with Cap	5 505	CLIP, Early Fuel Evaporation	3 145
CARRIER PKG, Roof & Deck Lid(Group 12 810)	21 060	CLIP, Emission Control System	3 671
CARRIER, Roof Panel	12 810	CLIP, Energy Absorber Bar Guide	7 829
CARRIER, Spare Wheel	7 629	CLIP, Folding Top, Bow Binding End	13 342
CARRIER, Transmission Output Shaft or Carrier	4 175	CLIP, Front Door Trim Binding Strip	14 683
CARRIER, Transmission Planet	4 175	CLIP, Front Fender	8 154
CASE, A.C. Evaporator	9 211	CLIP, Front Seat Side Trim	1 818
CASE, Differential (Ring Gear and Pinion)	5 510	CLIP, Fuel Pipe	3 162
CASE, Heater and Defroster	8 857	CLIP, Fuel Tank Filler	3 003
CASE, Heater Core	8 854	CLIP, Fuel Tank Meter	3 107
CASE, Instrument Cluster	9 743	CLIP, Generator	2 313
CASE, Instrument Panel Compartment Door		CLIP, Ignition Switch Warning, Lock or	
Lock	10 266	Headlamp	2 195
CASE KIT, Transmission Case	4 103	CLIP, Instrument Cluster	9 744
CASE, Transmission Case	4 103	CLIP, Instrument Panel	14 655
CASE, Windshield Wiper Motor	10 150	CLIP KIT, Radio Antenna	9 647
CATCH, Hood Latch	8 080	CLIP, Outside Air	9 787
CAULKING KIT, Back Window	11 204	CLIP, Radiator Baffle and Shroud	1 276
CAULKING KIT, Windshield Glass	10 027	CLIP, Radio Mounting	9 667
CHAIN, Cruise Control	3 885	CLIP, Rear Compartment Floor	12 981
CHAIN, Engine Timing	0 724	CLIP, Roof Panel	12 810
CHANNEL, Back Window Glass	11 207	CLIP, Roof Trim Headlining	14 640
CHANNEL, Door Ventilator Glass (With Tee		CLIP, Seat Belt	14 875
Shaft)	10 655	CLIP, Side Marker and Hazard Flasher	2 575
CHANNEL, Door Window Regulator	10 792	CLIP, Spark Plug Wire	2 251
CHANNEL, Front Door Window	10 685	CLIP, Speedometer to Instrument	
CHANNEL, Quarter Window Glass	11 015	Panel(Domestic)	9 761
CHANNEL, Windshield Glass	10 092	CLIP, Speedometer Drive Gear	4 345
CHOKE HOUSING KIT, Automatic Choke Control	3 750	CLIP, Steering Column	6 521
CLAMP, A.C. Evaporator Expansion Valve	9 214	CLIP, Stop Lamp	2 447
CLAMP, A.C. Evaporator	9 211	CLIP, Sunshade	10 219
CLAMP, A.C. Refrigerant	9 196	CLIP, Transmission to Speedometer	4 342
CLAMP, A.C. Vacuum & Temperature	9 281	CLIP, Transmission Control Lock Cable	4 070
CLAMP, Air Distributor	9 786	CLIP, Transmission Detent	4 279
CLAMP, Air Injection Reactor and Exhaust Gas		CLIP, Transmission Oil Cooler	4 128
Recirculation	3 680	CLIP, Transmission Oil Pan	4 197
CLAMP, Battery Hold Down	2 335	CLIP, Transmission Throttle Valve Control	4 052
CLAMP, Carburetor Throttle Control	3 425	CLIP, Transmission Vacuum	4 205
CLAMP, Distributor and Fuel Injector	2 363	CLIP, Turn Signal Lamp	2 892
CLAMP, Engine Cooling	1 219	CLIP, Windshield Glass	10 092
CLAMP, Exhaust Pipe	3 616	CLIP, Windshield Reveal	10 096
CLAMP, Exhaust System Attaching	3 708	CLIP, Windshield Washer	10 154
CLAMP, Heater Core	8 854	CLIP, Windshield Washer	10 155
CLAMP, Heater Water Flow	8 866	CLOCK, Clock	9 772
CLAMP, Hose (Radiator, Heater, A.C.)	1 166	CLOTH, Polishing(Group 8,800)	21 090
CLAMP, Intake & Exhaust Manifold	3 273	CLUSTER, Instrument Panel Gage	9 735
CLAMP KIT, Steering Gear Shaft	6 525	CLUTCH DRIVE, A.C. Compressor Clutch	
CLAMP, Outside Air	9 787	Actuating	9 188
CLAMP, Power Brake Booster(Vacuum)	4 930	CLUTCH, Engine Air Cool Fan	1 050
CLAMP, Power Steering Hose	6 672	CLUTCH, Transmission Synchronizing	4 380
CLAMP, Steering Gear Bail Return Guide	6 843	CLUTCH, Transmission Clutch	4 164
CLAMP, Steering Gear Shaft	6 525	CLUTCH, Transmission Clutch	4 164
CLAMP, Steering Relay	6 870	CLUTCH, Transmission Clutch(Low & Reverse)	4 180
CLAMP, Steering Tie Rod	6 234	CLUTCH, Transmission Synchronizing	4 380
CLAMP, Valve In Receiver	9 199	COIL, A.C. Compressor Clutch Actuating	9 186
CLEANER, Carburetor	3 402	COIL, Automatic Choke Control	3 750
CLEVIS, Master Cylinder Adjusting	4 662	COIL, Ignition	2 170
CLEVIS, Transmission Control Rod To Lever	4 037	COIL, Radio Antenna	9 647
CLIP, A.C. Compressor	9 242	COIL, Starter Motor	2 049
CLIP, Air Distributor	9 262	COLLAR, Generator Drive End	2 307
CLIP, Air Distributor	9 786	COLLAR, Starter Motor Thrust	2 063
CLIP, Air Injection Reactor and Exhaust Gas		COLUMN, Steering Column	6 518
Recirculation	3 680	COMPARTMENT, Instrument Panel	10 260
CLIP, Air Outlet	9 264	COMPARTMENT, Rear Compartment Floor	12 981
CLIP, Ash Receiver Mounting	12 016	COMPASS PKG, Auto(Group 5 873)	21 100
CLIP, Back Up Lamp	2 698	COMPRESSOR, A.C. Compressor	9 170
CLIP, Back Window Reveal Molding	11 209	COMPRESSOR PKG, Air Lift Shocks(Group	
CLIP, Battery Cable	2 343	7 455)	21 110
CLIP, Body Wiring	13 090	CONDENSER, A.C. Condenser	9 190
CLIP, Brake Hose or Pipe	4 686	CONDENSER, Distributor	2 393
CLIP, Brake Shoe Anchor Pin	5 056	CONDUIT, Chassis Electrical	2 530
CLIP, Carburetor and Fuel Meter Intake (with		CONDUIT, Door	10 778
Seat and Gasket)	3 814	CONE, Differential Drive Pinion	5 484
CLIP, Carburetor and Fuel Injection Choke	3 752	CONNECTOR, A.C. Vacuum & Temperature	9 281
CLIP, Carburetor Throttle Control	3 425	CONNECTOR, Air Injection Reactor and Exhaust	
CLIP, Chassis Wiring	2 480	Gas Recirculation	3 680
CLIP, Chassis Wiring Harness	2 559	CONNECTOR, Body Harness	13 100
CLIP, Cruise Control	3 885	CONNECTOR, Brake Hose or Pipe	4 686
CLIP, Door Inside Locking Rod	10 565	CONNECTOR, Carburetor Vacuum	3 765
CLIP, Door Lock	10 474	CONNECTOR, Carburetor	3 755
CLIP, Door Lock	10 506	CONNECTOR, Chassis Electrical	2 530
CLIP, Door Weatherstrip	10 695	CONNECTOR, Cigarette Lighter	9 709
CLIP, Door Window	10 777	CONNECTOR, Clock	9 772
CLIP, Early Fuel Evaporation Control	3 140		

ALPHABETICAL INDEX

CONNECTOR, Concealed Headlamp Control		COVER, Heater Core	8.854
Opening Cover	2.765	COVER, Hydraulic Steering Valve	6.554
CONNECTOR, Crankcase	1.745	COVER, Ignition and Locks	2.187
CONNECTOR, Distributor	2.400	COVER, Inside Rear View Mirror	10.187
CONNECTOR, Early Fuel Evaporation	3.145	COVER, Instrument Panel Opening	10.256
CONNECTOR, Engine and Transmission		COVER, Instrument Panel Ash Tray	12.009
Controlled Spark	2.408	COVER, King Pin Oil	6.225
CONNECTOR, Intake Manifold Vacuum	3.278	COVER KIT, Engine Valve Rocker Arm	0.386
CONNECTOR, Oil Distribution	1.531	COVER KIT, Hydraulic Steering Valve	6.554
CONNECTOR, Oil Filter	1.855	COVER KIT, Steering Column	6.518
CONNECTOR, Parking Brake Cable	4.785	COVER KIT, Transmission Oil Pump	4.224
CONNECTOR, Steering Gear Oil Pressure Hose	6.673	COVER, Oil Pump	1.723
CONNECTOR, Transmission Control Valve	4.265	COVER, Parking Brake Lever Housing	4.612
CONNECTOR, Transmission Oil Cooler	4.128	COVER, Radio Static Suppression	9.663
CONNECTOR, Transmission Smog Control	4.075	COVER, Rear Axle Housing	5.398
CONNECTOR, Transmission Converter	4.115	COVER, Rear Compartment	15.222
CONSOLE, Rear Compartment Floor	12.981	COVER, Rear Compartment Floor	12.981
CONTACT, Door Electric and Vacuum Locks	10.485	COVER, Roof Panel	12.810
CONTACT, Horn Button Blowing	2.819	COVER, Seat Adjuster	11.556
CONTACT, Starter Motor Switch	2.102	COVER, Seat Belt	14.875
CONTAINER, Seat Belt	14.875	COVER, Shroud and Dash and Vent Duct	12.804
CONTAINER, Windshield Washer	10.154	COVER, Spare Wheel	7.629
CONTROL, A.C. Electric Control	9.275	COVER, Steering Column	6.518
CONTROL, Carburetor	3.755	COVER, Steering Column Housing	6.500
CONTROL, Carburetor Vacuum	3.765	COVER, Steering Column Attaching	6.760
CONTROL, Courtesy Lamp	11.935	COVER, Steering Gear Housing Side	6.807
CONTROL, Distributor Vacuum	2.410	COVER, Transmission Case	4.105
CONTROL, Door Lock Remote Control	10.500	COVER, Transmission Control Indicator	4.020
CONTROL, Folding Top Compartment Lid	12.242	COVER, Transmission Case	4.105
CONTROL, Heater	8.849	COVER, Transmission Governor	4.256
CONTROL, Heater & A.C. Control	9.273	COVER, Transmission Oil Pan	4.197
CONTROL, Heater Water Flow	8.866	COVER, Transmission Oil Pump	4.224
CONTROLLER, Emission Control System	3.670	COVER, Transmission Oil Pump	4.203
CONTROLLER, Ignition Switch Warning, Lock or		COVER, Transmission Rear Servo	4.241
Headlamp	2.195	COVER, Transmission Servo & Accumulator	4.228
CONTROLLER, Windshield Wiper Control	10.163	COVER, Turn Signal Lamp	2.895
CONTROL PKG, Dash Control(Group 7.460)	21.155	COVER, Turn Signal Switch	2.906
CONTROL, Rear View Mirror	10.186	COVER, Wheel Carrier Lock	7.675
CONTROL, Windshield Wiper Control	10.163	COVER, Wheel Trim	5.858
CONVERSION KIT, Transmission Clutch(Low &		COVER, Windshield Wiper Motor	10.150
Reverse)	4.180	CRANKSHAFT, Engine	0.646
CONVERTER, Catalytic Converter	3.685	CUP, Brake Main Cylinder	4.654
CONVERTER, Transmission Converter	4.115	CUP, Horn Button Blowing	2.819
COOLER, Transmission Oil	4.128	CUP, Turn Signal Switch	2.906
CORD, Engine Coolant Warmer	1.152	CUP, Wheel Brake	4.667
CORE, A.C. Compressor	9.177	CUSHION, Body to Frame Bolt	9.023
CORE, A.C. Evaporator	9.210	CUSHION, Bumper Energy Absorber	7.840
CORE, Heater Core	8.854	CUSHION, Differential Carrier Mounting	5.500
CORE, Suction Throttling (P.O.A.)	9.198	CUSHION, Door Window	10.716
COUPLING, Steering Gear Shaft	5.525	CUSHION, Frame Cross, Intermediate	7.012
COUPLING, Tachometer	9.750	CUSHION KIT, Body to Frame Bolt	9.023
COVER, A.C. Compressor (Internal Parts)(Axial)	9.172	CUSHION, Radiator	1.270
COVER, A.C. Evaporator	9.211	CUSHION, Rear Spring	7.545
COVER, Accelerator Pedal	3.451	CUSHION, Windshield Wiper Access	10.130
COVER, Air Cleaner Air Intake	3.417	CYLINDER, A.C. Compressor	9.170
COVER, Air Distributor	9.262	CYLINDER, Brake Master	4.650
COVER, Automatic Choke Control	3.750	CYLINDER, Ignition Switch	2.188
COVER, Back Window Reveal Molding	1.209	CYLINDER, Instrument Panel Compartment	
COVER, Battery Filler	2.345	Door Lock	10.266
COVER, Brake and Clutch Pedal	4.630	CYLINDER KIT, Door Outside Lock	10.550
COVER, Brake Adjusting Hole	5.117	CYLINDER KIT, Ignition Switch	2.188
COVER, Brake Cylinder and Pedal Shaft	4.648	CYLINDER, Steering Gear Hydraulic	6.576
COVER, Brake Master Cylinder	4.651	CYLINDER W/SHAFT, A.C. Compressor	9.170
COVER, Bumper	7.832	CYLINDER, Wheel Brake	4.665
COVER, Bumper Face	7.831	CYLINDER, Wheel Carrier Lock	7.675
COVER, Carburetor (with Leather and Shaft)	3.838		
COVER, Carburetor Air Cleaner	3.410	D	
COVER, Carburetor Idle Air Compensator	3.820	DAMPER, Engine Crankshaft	0.659
COVER, Chassis Wiring Harness	2.559	DECAL, Front Door	12.112
COVER, Cruise Control	3.885	DECAL, Front Fender and Body Ornamentation	8.132
COVER, Distributor Cap Retaining	2.368	DECAL, Hood Panel Ornamentation	8.055
COVER, Door Hinge	10.450	DECAL, Rear Quarter Ornamentation	12.116
COVER, Door Inner Panel	10.355	DECAL, Transmission Control Lever Trim	4.017
COVER, Engine Clutch	0.859	DEFLECTOR, Air Distributor	9.262
COVER, Engine Clutch Plate	0.861	DEFLECTOR, Air Outlet	9.264
COVER, Engine Cover Front	0.206	DEFLECTOR, Bumper to Body	7.833
COVER, Engine Valve Rocker Arm	0.386	DEFLECTOR, Propeller Shaft Pinion	5.545
COVER, Exhaust Manifold Heater	3.602	DEFLECTOR, Radiator Air	1.272
COVER, Flywheel	0.679	DEFLECTOR, Rear Axle Universal Joint	5.425
COVER, Folding and Hard Top	14.080	DESICCANT, A.C. Refrigerant	9.195
COVER, Front Seat Bottom Hinge	11.375		
COVER, Fuel Pump Mounting	3.901		
COVER, Generator	2.313		
COVER, Hardtop	13.346		

WAREHOUSING DISTRIBUTION DIVISION OF GENERAL MOTORS CORPORATION--CHEVROLET--14A

ALPHABETICAL INDEX

<p>DESICCANT KIT, A.C. Refrigerant 9.195</p> <p>DIAL, Transmission Control Indicator 4.020</p> <p>DIAPHRAGM, Brake Master Cylinder 4.651</p> <p>DIAPHRAGM, Carburetor Throttle 3.758</p> <p>DIAPHRAGM, Carburetor (with Leather and Shaft) 3.838</p> <p>DIAPHRAGM, Power Brake Booster(Vacuum) 4.922</p> <p>DIFFUSER, Carburetor Air Cleaner 3.410</p> <p>DIODE, Distributor 2.383</p> <p>DIODE, Generator 2.319</p> <p>DISC, Concealed Headlamp Control Drive 2.760</p> <p>DISC, Front and Rear Wheel Brake 5.809</p> <p>DISC, Power Brake Booster Reaction 4.934</p> <p>DISC, Windshield Wiper Motor 10.150</p> <p>DISTRIBUTOR, Ignition 2.361</p> <p>DIVERTER, Door Inner Panel 10.355</p> <p>DOOR, Carburetor Air Cleaner Controls 3.415</p> <p>DOOR, Fuel Tank Filler 12.945</p> <p>DOOR, Instrument Panel Compartment 10.261</p> <p>DOOR, Parking Lamp 2.593</p> <p>DOOR, Plenum Air 9.789</p> <p>DOOR, Rear Compartment Floor 12.981</p> <p>DOWEL, Engine Clutch Housing or Transmission 0.685</p> <p>DOWEL, Engine Flywheel 0.669</p> <p>DRIVE, Starter Motor 2.086</p> <p>DRUM, Front and Rear Wheel Brake 5.809</p> <p>DRUM, Transmission Clutch 4.169</p> <p>DUCT, Air Cleaner Air Intake 3.417</p> <p>DUCT, Air Distributor 9.262</p> <p>DUCT, Air Distributor 9.786</p> <p>DUCT, Rear Window Defogger 9.778</p> <p>DUCT, Windshield Defroster 9.779</p>	<p>ESCUTCHEON, Radio 9.650</p> <p>ESCUTCHEON, Rear Compartment 12.249</p> <p>ESCUTCHEON, Rear Compartment Floor 12.981</p> <p>ESCUTCHEON, Rear View Mirror 10.186</p> <p>ESCUTCHEON, Seat Adjuster 11.558</p> <p>ESCUTCHEON, Seat Back Locking 11.390</p> <p>ESCUTCHEON, Windshield Wiper Transmission 10.160</p> <p>EXTENSION, Air Injection Reactor 3.675</p> <p>EXTENSION, Bumper 7.836</p> <p>EXTENSION, Chassis Wiring 2.480</p> <p>EXTENSION, Door Opening Rocker 12.934</p> <p>EXTENSION, Exhaust 3.609</p> <p>EXTENSION, Exhaust Tail Pipe 3.705</p> <p>EXTENSION, Fender Wheelhouse 8.155</p> <p>EXTENSION, Flywheel 0.679</p> <p>EXTENSION, Front Body Hinge Pillar 12.840</p> <p>EXTENSION, Front Fender 8.153</p> <p>EXTENSION, Front Fender Panel 8.131</p> <p>EXTENSION, Instrument Panel 10.230</p> <p>EXTENSION KIT, Transmission Rear Main 4.317</p> <p>EXTENSION, Radiator 1.263</p> <p>EXTENSION, Radiator to Grille 1.287</p> <p>EXTENSION, Radiator Fan 1.277</p> <p>EXTENSION, Rear Quarter 15.100</p> <p>EXTENSION, Roof Panel 12.810</p> <p>EXTENSION, Steering Wheel 6.512</p> <p>EXTENSION, Tire Valve And Cover Lock 5.875</p> <p>EXTENSION, Transmission Extension 4.317</p> <p>EXTENSION, Transmission Rear 4.317</p> <p>EXTENSION, Transmission Rear Main 4.317</p> <p>EXTENSION, Transmission Rear Main Bearing 4.317</p> <p>EXTENSION, Windshield Wiper Access 10.130</p> <p>EXTENSION, Windshield Washer 10.154</p> <p>EYELET, Front Door Trim 14.685</p> <p>EYELET, Instrument Panel 10.230</p>
E	
<p>ELBOW, Air Cleaner Air Intake 3.417</p> <p>ELBOW, Air Injection Reactor and Exhaust Gas Recirculation 3.680</p> <p>ELBOW, Crankcase 1.745</p> <p>ELBOW, Engine Coolant By-Pass Hose 1.097</p> <p>ELBOW, Fuel Injection 3.330</p> <p>ELBOW, Fuel Line 3.163</p> <p>ELBOW, Heater Motor Control 8.859</p> <p>ELBOW, Oil Pressure Gage 1.803</p> <p>ELBOW, Power Brake Booster(Vacuum) 4.931</p> <p>ELEMENT, Carburetor Air Cleaner 3.410</p> <p>ELEMENT, Cigarette Lighter 9.709</p> <p>ELEMENT, Engine Fuel 3.890</p> <p>ELEMENT, Oil Filter 1.836</p> <p>EMBLEM, Engine Valve Rocker Arm 0.386</p> <p>EMBLEM, Floor Console 10.240</p> <p>EMBLEM, Front Fender Name 8.147</p> <p>EMBLEM, Fuel Tank Filler 12.945</p> <p>EMBLEM, Hood Panel Ornamentation 8.055</p> <p>EMBLEM, Horn Button 2.820</p> <p>EMBLEM KIT, Front Fender Name 8.147</p> <p>EMBLEM KIT, Radiator Grille and Front End Ornamentation 1.303</p> <p>EMBLEM, License Plate 7.800</p> <p>EMBLEM, Radiator Grille and Front End Ornamentation 1.303</p> <p>EMBLEM, Rear Compartment Lid and Rear End Panel 12.182</p> <p>EMBLEM, Wheel Cover Appearance 5.871</p> <p>END, Concealed Headlamp Opening Cover 2.770</p> <p>ENGINE, Engine 0.033</p> <p>ENGINE, Universal 0.000</p> <p>EQUALIZER, Parking Brake Cable 4.765</p> <p>ESCUTCHEON, Arm Rest Ash Tray 12.048</p> <p>ESCUTCHEON, Door Lock Inside Handle Escutcheon(Trim Protector) 10.515</p> <p>ESCUTCHEON, Door Outside Handle 10.537</p> <p>ESCUTCHEON, Door Window Regulator Handle 10.805</p> <p>ESCUTCHEON, Front Seat Head Restraint 11.376</p> <p>ESCUTCHEON, Ignition Switch Warning, Lock or Headlamp 2.195</p> <p>ESCUTCHEON, Instrument Panel Compartment Door Lock 10.267</p>	<p>FAN, A.C. Evaporator Blower 9.216</p> <p>FAN, Air Injector Reactor Pump 3.665</p> <p>FAN, Engine Air Cooling(Electrical) 1.055</p> <p>FAN, Engine Cooling 1.064</p> <p>FAN, Generator 2.274</p> <p>FAN, Heater and Defroster 8.857</p> <p>FAN, Rear Window Defogger 9.778</p> <p>FAN, Roof Ventilation 12.811</p> <p>FASTENER, Bottom of Top Front Roof Rail to Windshield 14.060</p> <p>FASTENER, Door Handle Push Button 12.195</p> <p>FASTENER, Door Weatherstrip 10.695</p> <p>FASTENER, Front Door Trim 14.685</p> <p>FASTENER, Front Door Trim Binding Strip 14.683</p> <p>FASTENER, Front Door Window 10.685</p> <p>FASTENER, Hardtop 13.346</p> <p>FASTENER, Instrument Panel 15.280</p> <p>FASTENER, Radiator 1.270</p> <p>FASTENER, Radio Mounting 9.667</p> <p>FASTENER, Roof Panel 12.810</p> <p>FASTENER, Windshield Garnish Molding 10.056</p> <p>FELT, Air Outlet 9.264</p> <p>FELT, Front Wheel Hub Bearing 6.326</p> <p>FERRULE, Hardtop 13.346</p> <p>FERRULE, Headlamp Switch 2.487</p> <p>FERRULE, Ignition Lock 2.198</p> <p>FILLER, Bumper Face 7.831</p> <p>FILLER, Bumper Guard 7.828</p> <p>FILLER, Front Door Window 10.685</p> <p>FILLER, Windshield Upper and Lower 12.807</p> <p>FILTER, Air Injection Reactor and Exhaust Gas Recirculation 3.680</p> <p>FILTER, Carburetor and Fuel Meter Fuel Inlet 3.740</p> <p>FILTER, Concealed Headlamp Control Drive 2.760</p> <p>FILTER, Engine Fuel 3.890</p> <p>FILTER, Fuel Tank Evaporator Control(Engine End) 3.130</p> <p>FILTER, Fuel Tank Gage 3.110</p> <p>FILTER, Instrument Cluster 9.748</p> <p>FILTER KIT, Engine Fuel 3.890</p> <p>FILTER, Oil Filter 1.836</p> <p>FILTER, Power Brake Booster 4.913</p> <p>FILTER, Tachometer 9.750</p>
F	

ALPHABETICAL INDEX

FILTER, Transmission Oil Pan	4.197	GASKET, Engine Coolant Outlet	1.154
FILTER, Windshield Washer	10.154	GASKET, Engine Cylinder Head	0.289
FITTING, A.C. Compressor	9.226	GASKET, Engine Front Cover	0.207
FITTING, Air Injection Reactor and Exhaust Gas Recirculation	3.680	GASKET, Engine Fuel	3.890
FITTING, Auto Shock Absorber	7.447	GASKET, Engine Valve Rocker Arm Cover	0.423
FITTING, Intake Manifold Vacuum	3.278	GASKET, Exhaust Manifold Heater	3.602
FITTING, Oil Pressure Gage	1.803	GASKET, Exhaust Pipe	3.611
FITTING, Power Brake Booster(Vacuum)	4.931	GASKET, Folding and Hard Top	14.080
FITTING PKG, Filler(Group 7.482)	21.205	GASKET, Fuel Gage to Tank	3.112
FITTING, Speedometer Driven Gear	4.338	GASKET, Fuel Injection	3.308
FITTING, Steering Gear Oil Pressure Hose	6.673	GASKET, Fuel Injector Metering	3.332
FLANGE, Air Cleaner to Carburetor Mounting	3.406	GASKET, Fuel Meter Control	3.318
FLANGE, Exhaust Pipe	3.610	GASKET, Fuel Pump Mounting	3.904
FLANGE, Exhaust Tail Pipe	3.705	GASKET, Fuel Tank Filler Neck	3.008
FLANGE, Oil Pan Drain	1.453	GASKET, Generator Drive End	2.307
FLANGE, Propeller Shaft Pinion	5.545	GASKET, Headlamp Body to Fender	2.722
FLANGE, Rear Axle Universal Joint	5.425	GASKET, Heater and Defroster	8.857
FLANGE, Rear Wheel	5.806	GASKET, Heater Core	8.854
FLANGE, Steering Gear Shaft	6.525	GASKET, Hydraulic Steering Valve	6.554
FLANGE, Transmission Oil	4.195	GASKET, Ignition Switch Warning, Lock or Headlamp	2.195
FLANGE, Transmission Low Sun Gear and Clutch	4.162	GASKET, Instrument Cluster	9.749
FLASHER, Ignition Switch Warning, Lock or Headlamp	2.195	GASKET KIT, Carburetor	3.724
FLASHER, Side Marker and Hazard Flasher	2.575	GASKET KIT, Door Outside Handle	10.537
FLASHER, Turn Signal Lamp	2.892	GASKET KIT, Engine	0.010
FLOAT, Carburetor and Fuel Meter	3.745	GASKET KIT, Engine Cylinder Head	0.289
FLUID, Hydraulic Brake System	4.683	GASKET KIT, Manifold to Cylinder Head	3.270
FLYWHEEL, Engine Crankshaft	0.666	GASKET KIT, Oil Pan	1.429
FORK, Engine Clutch Release	0.795	GASKET KIT, Transmission Overhaul	4.005
FORK, Transmission Gearshift	4.303	GASKET KIT, Transmission Control Valve	4.265
FRAME, Back Window	11.204	GASKET KIT, Transmission Overhaul	4.005
FRAME, Carburetor Air Cleaner Controls	3.415	GASKET, Main Cylinder Outlet Fitting	4.661
FRAME, Chassis Frame	7.003	GASKET, Manifold to Cylinder Head	3.270
FRAME, Front Seat Back	11.373	GASKET, Oil Filter	1.844
FRAME, Front Seat Cushion	11.419	GASKET, Oil Pan Drain Plug	1.456
FRAME, Generator Drive End	2.305	GASKET, Power Brake Booster(Vacuum)	4.931
FRAME, Generator Slip Ring	2.297	GASKET, Power Brake Booster	4.910
FRAME, License Plate	7.800	GASKET, Radio Antenna	9.647
FRAME, Plenum Air	9.789	GASKET, Rear Axle or Final Drive Filler and Drain	5.400
FRAME, Rear Compartment Floor	12.981	GASKET, Rear Axle Housing Cover	5.399
FRAME, Roof Panel	12.810	GASKET, Rear View Mirror	10.186
FRAME, Starter Motor Commutator End	2.067	GASKET, Rear Window Defogger	9.778
FRAME, Windshield Side	12.808	GASKET, Spark Plug	2.271
FRAME, Windshield Upper and Lower	12.807	GASKET, Speedometer to Instrument Panel(Domestic)	9.761
FUSE, A.C. Compressor (Internal Parts)(Axial)	9.172	GASKET, Starter Solenoid	2.104
G		GASKET, Steering Gear Housing Side Cover	6.809
GAGE, Engine Coolant Temperature (Dash Unit)	1.148	GASKET, Tail Lamp	2.660
GAGE, Fuel Tank Meter	3.107	GASKET, Tail Lamp Lens	2.684
GAGE, Instrument Panel	2.515	GASKET, Transmission Cover	4.109
GAGE, Instrument Panel Fuel Gage	3.108	GASKET, Transmission Main Drive Gear Bearing Retainer	4.358
GAGE, Oil Pressure Gage	1.803	GASKET, Transmission Rear Main Bearing	4.318
GASKET, A.C. Compressor	9.177	GASKET, Transmission Case	4.109
GASKET, A.C. Evaporator Expansion Valve	9.214	GASKET, Transmission Rear Main Bearing	4.318
GASKET, A.C. Evaporator	9.211	GASKET, Transmission Control Valve	4.265
GASKET, Air Duct	9.782	GASKET, Transmission Oil Pan	4.196
GASKET, Air Injection Reactor and Exhaust Gas Recirculation	3.680	GASKET, Transmission Oil Pump	4.226
GASKET, Automatic Choke Control	3.750	GASKET, Transmission Rear Servo	4.241
GASKET, Axle Housing to Differential Carrier	5.508	GASKET, Transmission Main Valve Body	4.217
GASKET, Back Up Lamp	2.697	GASKET, Transmission Governor	4.256
GASKET, Brake Flange Plate	5.002	GASKET, Transmission Oil Pump	4.203
GASKET, Brake Master Cylinder	4.651	GASKET, Transmission Oil Pan	4.197
GASKET, Carburetor and Fuel Meter Fuel Inlet	3.740	GASKET, Transmission Governor	4.256
GASKET, Carburetor to Manifold	3.726	GASKET, Transmission Oil Pan	4.196
GASKET, Carburetor Air Cleaner and Silencer	3.403	GASKET, Transmission Vacuum	4.205
GASKET, Carburetor Float Bowl to Cover (or Air Horn)	3.738	GASKET, Transmission Oil Pump Suction	4.197
GASKET, Carburetor Idle Air Compensator	3.820	GASKET, Transmission Main Drive Gear Bearing Retainer	4.358
GASKET, Choke Heater or Air	3.603	GASKET, Transmission Extension	4.318
GASKET, Crankcase Oil Filler	1.758	GASKET, Transmission Servo	4.212
GASKET, Distributor and Fuel Injector	2.363	GASKET UNIT, Oil Pan	1.429
GASKET, Door Handle Push Button	12.195	GASKET, Valve Push Rod Cover	0.443
GASKET, Door Hinge	10.450	GASKET, Windshield Washer Pump	10.153
GASKET, Door Inner Panel	10.355	GASKET, Windshield Wiper Motor	10.152
GASKET, Door Outside Lock	10.550	GATE, Transmission Gearshift Shaft	4.027
GASKET, Emission Control System	3.671	GATE, Transmission Shift Control Lever	4.027
GASKET, Engine Coolant Pump	1.079	GEAR, Concealed Headlamp Control Drive	2.760
		GEAR, Differential Pinion	5.526
		GEAR, Differential Side	5.528
		GEAR, Engine Flywheel	0.673
		GEAR KIT, Differential Side	5.527
		GEAR KIT, Distributor Drive and Driven	2.374

WAREHOUSING DISTRIBUTION DIVISION OF GENERAL MOTORS CORPORATION—CHEVROLET—14A

ALPHABETICAL INDEX

GEAR KIT, Transmission Governor	4 256	GJARD PKG, Fender Splash(Group B 214)	21 220
GEAR, Radio Antenna	9 647	GUARD, Steering Pump	6 655
GEAR, Ring and Pinion	5 529	GUIDE, A.C. Compressor Pulley	9 181
GEAR, Speedometer Drive	4 343	GUIDE, Ash Receiver Mounting	12 016
GEAR, Speedometer Driven	4 337	GUIDE, Back Window	11 204
GEAR, Speedometer Drive	4 343	GUIDE, Differential Clutch	5 511
GEAR, Speedometer Driven	4 337	GUIDE, Engine Valve Push Rod	0 439
GEAR, Steering	6 508	GUIDE, Folding Top Compartment Lid	12 242
GEAR, Steering Gear Pitman	6 850	GUIDE, Folding Top Roof Rail	14 090
GEAR, Tachometer	3 750	GUIDE, Generator	2 274
GEAR, Transmission Countershaft	4 421	GUIDE, Hood Latch Release Cable	3 077
GEAR, Transmission Countershaft	4 421	GUIDE, Parking Brake Cable	4 785
GEAR, Transmission First and Reverse	4 417	GUIDE, Parking Brake Release	4 594
GEAR, Transmission Governor	4 256	GUIDE, Plenum Air	9 789
GEAR, Transmission Input	4 158	GUIDE, Radio Antenna	9 647
GEAR, Transmission Main Drive	4 351	GUIDE, Seat Belt	14 875
GEAR, Transmission Main Drive (Clutch)	4 351	GUIDE, Steering Column	6 514
GEAR, Transmission Reverse Idler	4 430	GUIDE, Steering Gear Ball Return	6 842
GEAR, Transmission Reverse Idler	4 430	GUIDE, Transmission Clutch	4 164
GEAR, Transmission Rear Internal Gear	4 187	GUIDE, Transmission Oil Pump	4 226
GEAR, Transmission Rear Unit	4 187	GUSSET, Differential Carrier Mounting	5 500
GEAR, Transmission Second Speed	4 395	GUSSET, Frame Front Cross Member	7 039
GEAR, Transmission Speedometer Driven	4 337	GUSSET, Front Body Hinge Pillar	12 840
GEAR, Transmission Speedometer Drive	4 343		
GEAR, Transmission Sun Gear	4 159		
GEAR, Transmission Third Gear	4 415		
GEAR, Transmission 1st and Reverse Sliding	4 417		
GEAR, Windshield Wiper Motor Drive	10 151		
GENERATOR, Engine Electrical	2 275		
GLASS, Back Window	11 204		
GLASS, Front Door Window	10 681		
GLASS, Quarter Window	11 011		
GLASS, Rear Hatch Window	12 180		
GLASS, Windshield Glass	10 027		
GOVERNOR KIT, Transmission Governor	4 256		
GOVERNOR, Transmission Governor	4 256		
GRILLE, Cowl Top Vent Louver	12 800		
GRILLE, Hood Panel Ornamentation	8 055		
GRILLE, Radiator Grille	1 266		
GRILLE, Radio Auxiliary Speakers	9 665		
GRILLE, Radio Speaker	9 655		
GRILLE, Rear Window Defogger	9 778		
GRILLE, Roof Ventilation	12 811		
GRILLE, Windshield Defroster	9 779		
GROMMET, A.C. Refrigerant	9 196		
GROMMET, Back Up Lamp	2 697		
GROMMET, Bumper to Body	7 833		
GROMMET, Chassis Wiring	2 480		
GROMMET, Concealed Headlamp Control Opening Cover	2 765		
GROMMET, Concealed Headlamp Control Drive	2 760		
GROMMET, Crankcase	1 745		
GROMMET, Distributor	2 383		
GROMMET, Distributor	2 372		
GROMMET, Distributor	2 401		
GROMMET, Door Inside Locking Rod	10 565		
GROMMET, Engine Valve Rocker Arm	0 386		
GROMMET, Folding Top Compartment	12 170		
GROMMET, Folding Top Motor and Pump	14 482		
GROMMET, Hood Hinge	8 016		
GROMMET, Hood Latch Release Cable	8 077		
GROMMET, Hydraulic Steering Cylinder Piston Rod	6 581		
GROMMET, Instrument Panel Compartment Door	10 262		
GROMMET, Parking Brake Release	4 594		
GROMMET, Power Brake Booster(Vacuum)	4 930		
GROMMET, Power Brake Booster Check(Vacuum)	4 955		
GROMMET, Radio Antenna	9 647		
GROMMET, Rear Window Defogger	9 778		
GROMMET, Seat Belt	14 875		
GROMMET, Shock Absorber	7 388		
GROMMET, Spark Plug Wire	2 251		
GROMMET, Stabilizer Link	7 244		
GROMMET, Starter Motor Switch	2 102		
GROMMET, Transmission Oil Pan	4 197		
GROMMET, Transmission Control Rod To Lever	4 037		
GROMMET, Windshield Wiper Access	10 130		
GROMMET, Windshield Wiper Motor	10 150		
GROMMET, Windshield Wiper Motor	10 152		
GROMMET, Wiring and Pipes	9 775		
GUARD, Bumper Guard	7 828		
GUARD, Engine Fuel Intake Manifold	3 265		
		H	
		HAMMER, Wheel and Jack Wrench	8 821
		HANDLE, Door Inside Locking Rod	10 559
		HANDLE, Door Lock Inside	10 512
		HANDLE, Door Outside Handle	10 527
		HANDLE, Door Window Regulator	10 797
		HANDLE, Front Door Trim Finish	14 691
		HANDLE, Parking Brake Apply Lever	4 592
		HANDLE, Quarter Window	11 044
		HANDLE, Rear Compartment Floor	12 981
		HANDLE, Transmission Gearshift Control (Hand)	4 006
		HANDLE, Transmission Control	4 006
		HANDLE, Transmission Control Lever	4 006
		HANGER, Catalytic Converter	3 690
		HANGER, Exhaust Mounting	3 706
		HANGER, Exhaust Muffler	3 704
		HANGER, Exhaust Pipe	3 616
		HANGER KIT, Exhaust Mounting	3 706
		HANGER KIT, Exhaust Muffler	3 704
		HANGER, Roof Panel	12 810
		HANGER, Spare Wheel	7 629
		HARNES, A.C. Wiring	9 276
		HARNES, Body Wiring	13 090
		HARNES, Chassis Wiring	2 480
		HARNES, Cruise Control	3 887
		HARNES, Distributor	2 383
		HARNES, Door Electric and Vacuum Locks	10 485
		HARNES, Engine Wiring	2 525
		HARNES, Heater Control	8 852
		HARNES HOSE-PIPE, Air Injection Reactor	3 675
		HARNES, Inside and Outside Rear View	10 185
		HARNES KIT, Radio and Speaker	9 656
		HARNES KIT, Seat Belt	14 875
		HARNES, Radio and Speaker	9 656
		HARNES, Radio Antenna	9 647
		HARNES, Rear Window Defogger	9 778
		HARNES, Seat Belt	14 875
		HARNES, Towing	7 068
		HEAD, A.C. Compressor	9 174
		HEAD, Engine Cylinder	0 269
		HEAD, Power Brake Booster(Vacuum)	4 924
		HEAD, Speedometer to Instrument Panel(Domestic)	9 761
		HEATER PKG, Engine Block(Group 1.152)	21 240
		HEAT SINK, Generator	2 319
		HINGE, Door Hinge	10 450
		HINGE, Front Seat Bottom Hinge	11 375
		HINGE, Fuel Tank Filler	12 945
		HINGE, Hood Panel	8 015
		HINGE, Rear Compartment Floor	12 981
		HINGE, Rear Compartment Lid and End Gate	12 184
		HOLDER KIT, Carburetor Metering	3 806
		HOLDER KIT, Generator Brush	2 291
		HOLDER, Starter Motor Brush	2 052
		HOLDER, Windshield Wiper Motor	10 150
		HOOD, Panel	8 000

ALPHABETICAL INDEX

HOOK, Coat	15.388
HOOK, Rear Compartment Floor	12.981
HORN, Carburetor Air	3.730
HORN, Ignition Switch Warning, Lock or Headlamp	2.195
HORN, Warning	2.810
HOSE, A.C. Refrigerant (Metal and Rubber Sections)	9.225
HOSE, A.C. Vacuum & Temperature	9.281
HOSE, Air Distributor	9.786
HOSE, Air Injection Reactor	3.675
HOSE, Air Outlet	9.260
HOSE, Back Window Gutter	10.997
HOSE, Crankcase Ventilation	1.762
HOSE, Engine Coolant By-Pass Hose	1.097
HOSE, Fuel Line	3.163
HOSE, Fuel Tank Filler	3.003
HOSE, Heater	8.846
HOSE, Heater Temperature Control	8.850
HOSE, Oil Pressure Gage	1.803
HOSE, Power Brake Booster(Vacuum)	4.931
HOSE, Radiator Inlet (upper)	1.159
HOSE, Radiator Outlet (lower)	1.173
HOSE, Steering Gear Oil Return	6.671
HOSE, Steering Gear Oil Pressure	6.670
HOSE, Transmission Vacuum	4.205
HOSE, Wheel Brake	4.680
HOSE, Windshield Defroster	9.779
HOUSING, A.C. Refrigerant	9.195
HOUSING, Air Distributor	9.786
HOUSING, Bolt Engine Clutch	0.683
HOUSING, Brake Cylinder and Pedal Shaft	4.648
HOUSING, Cigarette Lighter	9.709
HOUSING, Concealed Headlamp Opening Cover	2.770
HOUSING, Dome and Reading Lamp	11.927
HOUSING, Door Outside Handle	10.529
HOUSING, Folding and Hard Top	14.080
HOUSING, Front Door Wedge	10.584
HOUSING, Front Door Window Regulator	10.783
HOUSING, Heater Control	8.852
HOUSING, Ignition Distributor	2.362
HOUSING, Instrument Cluster Warning	9.765
HOUSING KIT, Radio Antenna	9.647
HOUSING KIT, Steering Column	6.518
HOUSING KIT, Steering Column	6.514
HOUSING KIT, Transmission Clutch	4.169
HOUSING, Outside Air	9.787
HOUSING, Parking, Turn Signal and Cornering Lamp	2.586
HOUSING, Radiator Grille	1.266
HOUSING, Radio Antenna	9.647
HOUSING, Radio Auxiliary Speakers	9.665
HOUSING, Roof Panel	12.810
HOUSING, Speedometer to Instrument Panel(Domestic)	9.761
HOUSING, Starter Motor Drive	2.085
HOUSING, Steering Column	6.518
HOUSING, Steering Gear	6.803
HOUSING, Steering Pump	6.608
HOUSING, Tail Lamp	2.680
HOUSING, Temperature Control	8.858
HOUSING, Transmission Control Lever	4.010
HOUSING, Transmission Input	4.158
HOUSING, Transmission Servo & Accumulator	4.228
HOUSING, Transmission Clutch	4.169
HOUSING, Transmission Control Lever	4.010
HOUSING, Wheel Brake	4.665
HUB, Front and Rear Wheel Brake	5.809
HUB, Front Wheel	6.307
HUB, Steering Wheel	6.512
HUB, Transmission Clutch	4.164
HUB, Wheel Cover Appearance	5.871
I	
INDICATOR, Oil Level	1.516
INDICATOR, Transmission Control Indicator	4.020
INDICATOR, Transmission Oil Filler	4.133
INLET, A.C. Refrigerant	9.195
INSERT, Brake Hose	4.671
INSERT, Carburetor Float	3.734

INSERT, Carburetor Metering	3.806
INSERT, Concealed Headlamp Motor	2.755
INSERT, Lamp Monitor	2.584
INSERT, Luggage Carrier	12.815
INSERT, Main Cylinder Outlet Fitting	4.661
INSERT, Transmission Control Lever Trim	4.017
INSERT, Wheel Cover Appearance	5.871
INSERT, Windshield Wiper	10.146
INSULATION, Carburetor to Manifold	3.726
INSULATION, Floor Pan	15.492
INSULATION, Starter Motor	2.049
INSULATOR, A.C. Expansion Refrigerant	9.213
INSULATOR, Body to Frame Bolt	9.023
INSULATOR, Carburetor to Manifold	3.726
INSULATOR, Distributor	2.333
INSULATOR, Door Lock	10.506
INSULATOR, Exhaust Muffler	3.704
INSULATOR, Floor Pan	15.492
INSULATOR, Floor Pan	12.980
INSULATOR, Fuel Tank Mounting	3.022
INSULATOR, Generator	2.313
INSULATOR, Hood Panel	3.021
INSULATOR, Horn Button Blowing	2.819
INSULATOR, Instrument Panel	15.280
INSULATOR, Radiator	1.270
INSULATOR, Rear Spring	7.545
INSULATOR, Roof Panel	12.810
INSULATOR, Wheel Cylinder	4.668
INTERLOCK, Transmission Gearshift Shaft	4.027

J

JACK, auto Jack	8.820
JACKET, Steering Column	6.512
JET, Carburetor Metering Rod, with Gasket	3.792

K

KEY, A.C. Compressor Clutch Actuating	9.188
KEY, Door Outside Lock	10.550
KEY, Engine Valve Spring	0.310
KEY, Hydraulic Steering Adapter	6.560
KEY, Ignition and Locks	2.187
KEY, Speedometer Adapter	4.330
KEY, Speedometer Drive Adapter	4.330
KEY, Transmission Speedometer Drive	4.330
KEY, Transmission Synchronizing	4.384
KEY, Transmission Synchronizer	4.384
KIT, A.C. Refrigerant	9.195
KIT, Brake Shoe Adjusting	5.110
KIT, Engine Tune-up	2.270
KIT, Steering Gear Repair	6.507
KNOB, Clock	9.772
KNOB, Door Inside Locking Rod	10.559
KNOB, Door Lock Inside	10.512
KNOB, Door Lock Inside Handle Escutcheon(Trim Protector)	10.515
KNOB, Front Door Vent Regulator	10.664
KNOB, Front Seat Manual Adjuster	11.588
KNOB, Heater Contr'	8.852
KNOB KIT, Clock	9.772
KNOB, Outside Air	9.787
KNOB, Radio Control	9.649
KNOB, Rear Window Defogger	9.778
KNOB, Seat Back Locking	11.390
KNOB, Side Marker and Hazard Flasher	2.575
KNOB, Speedometer to Instrument Panel(Domestic)	9.761
KNOB, Transmission Control Lever	4.006
KNOB, Transmission Control	4.006
KNOB, Transmission Gearshift Control (Hand)	4.006
KNOB, Turn Signal Control	2.897
KNOB, Windshield Washer and Wiper Control	10.164
KNUCKLE, Steering	6.020

ALPHABETICAL INDEX

L

LABEL, Fuel Tank Filler	12.945
LABEL, Fuel Tank Filler	3.028
LAMP, Back Up Lamp	2.697
LAMP, Luggage Compartment	9.988
LAMP, Parking, Turn Signal and Cornering	2.585
LAMP PKG, Fog(Group 2.727)	21.270
LAMP, Rear License Lamp	2.700
LAMP, Side Marker and Hazard Flasher	2.575
LAMP, Tail lamp	2.679
LAMP, Underhood	8.890
LATCH, Rear Compartment	12.247
LEAD, Distributor	2.400
LEAD, Starter Motor Brush Ground	2.055
LENS, A.C. Control	9.279
LENS, Back Up Lamp	2.697
LENS, Courtesy Dome and Reading Lamp	11.928
LENS, Instrument Cluster	9.748
LENS, Instrument Panel Compartment Lamp	10.275
LENS, Lamp Monitor	2.583
LENS, Parking, T/Signal or Cornering Lamp	2.589
LENS, Rear License Lamp	2.709
LENS, Sunshade Vanity Mirror	10.195
LENS, Tail Lamp	2.682
LENS, Transmission Control Indicator	4.020
LETTER KIT, Hood Panel Ornamentation	8.055
LETTER KIT, Rear Compartment Lid and Rear End Panel	12.182
LEVEL INDICATOR, Windshield Washer	10.154
LEVER, A.C. Control	9.278
LEVER, Accelerator Pedal Lever	3.454
LEVER, Brake Shoe Automatic Adjusting	5.103
LEVER, Carburetor and Fuel Injection Choke	3.752
LEVER, Carburetor and Fuel Injection Fast Idle	3.766
LEVER, Carburetor Power	3.858
LEVER, Carburetor Pump	3.842
LEVER, Cruise Control	3.883
LEVER, Door Lock	10.506
LEVER, Engine Clutch Control	0.852
LEVER, Folding Top	14.340
LEVER, Ignition Switch Warning, Lock or Headlamp	2.195
LEVER KIT, Parking Brake	5.149
LEVER, Parking Brake	5.149
LEVER, Parking Brake Apply	4.591
LEVER, Side Marker and Hazard Flasher	2.575
LEVER, Starter Motor Drive Shift	2.108
LEVER, Steering Column Housing	6.500
LEVER, Steering Column	6.514
LEVER, Steering Idler	6.895
LEVER, Transmission Control Lever	4.010
LEVER, Transmission Control Lever	4.006
LEVER, Transmission Control	4.045
LEVER, Transmission Control Lever	4.006
LEVER, Transmission Detent	4.279
LEVER, Transmission Gearshift	4.045
LEVER, Transmission Gearshift Shaft	4.030
LEVER, Transmission Manual Valve	4.218
LEVER, Transmission Shift Control	4.030
LEVER, Transmission Shift Control	4.004
LEVER, Transmission Throttle Valve	4.278
LEVER, Transmission Throttle Valve	4.275
LEVER, Turn Signal Control	2.897
LEVER, Turn Signal Lamp	2.895
LIFTER, Engine Valve	0.459
LIMITER, Carburetor and Fuel Injection Idle Adjusting Screw	3.823
LINER, Door Inner Panel	10.355
LINER, Front Door Trim	14.685
LINER, Rear Leaf Spring	7.495
LINK, Air Distributor	9.786
LINK, Brake Shoe Automatic Adjusting Lever	5.105
LINK, Carburetor	3.755
LINK, Concealed Headlamp Control Opening Cover	2.765
LINK, Cruise Control	3.885
LINK, Stabilizer	7.240
LINK, Transmission Control Indicator	4.020
LINK, Transmission Detent	4.279
LINK, Transmission Throttle Valve	4.275
LINK, Wheel Cylinder to Brake Shoe Thrust	4.675
LITTER PKG, Container & Tissue(Group 8.891)	21.320

LOCK, Air Injection Reactor and Exhaust Gas Recirculation	3.680
LOCK, Air Injection Reactor	3.675
LOCK, Back Window Glass	11.207
LOCK CYL KIT, Rear Compartment	12.248
LOCK, Emission Control System	3.671
LOCK, Exhaust Manifold End Bolt	3.604
LOCK, Exhaust System Attaching	3.708
LOCK, Folding and Hard Top	14.080
LOCK, Folding Top Compartment Lid	12.242
LOCK, Front Door	10.470
LOCK, Ignition Switch	2.188
LOCK KIT, Steering Column Housing	6.500
LOCK, Rear Axle U Joint	5.428
LOCK, Rear Compartment Lid	12.242A
LOCK, Roof Panel	12.810
LOCK, Seat Back Locking	11.390
LOCK, Steering Column Housing	6.500
LOCK, Transmission Control Idler	4.042
LOCK, Transmission Main Drive Gear Bearing	4.356
LOGIC, Body Harness	13.095
LOUVER, Front Fender Name	8.147
LUBRICATOR KIT, Distributor	2.364

M

MAGNET KIT, Radio Antenna	9.647
MAGNET KIT, Transmission Case	4.105
MAGNET, Windshield Wiper Motor	10.150
MANIFOLD, Engine Exhaust Manifold	3.601
MANIFOLD, Engine Fuel Intake Manifold	3.265
MAT, Front Floor	15.286
MAT, Instrument Panel	15.280
MAT, Rear Compartment	15.222
MEMBER, Bumper Face	7.831
MEMBER, Frame Cross, Intermediate	7.012
MEMBER KIT, Front Frame Cross	7.010
MEMBER, Rear Frame Cross	7.014
MEMBER, Transmission Support	7.011
MEMBER, Transmission Mounting	4.081
METER, Fuel Tank Meter	3.107
MICROPHONE, Radio	9.650
MIRROR, Inside and Outside Rear View	10.185
MIRROR PKG, Visor Vanity(Group 10.195)	21.440
MIRROR, Sunshade Vanity Mirror	10.195
MODULATOR KIT, Transmission Vacuum	4.205
MODULATOR, Transmission Vacuum	4.205
MODULATOR, Transmission Vacuum	4.205
MODULE, Chassis Wiring	2.480
MODULE, Distributor	2.383
MODULE, Emission Control System	3.670
MODULE, Instrument Cluster Warning	9.765
MOLDING, Back Window Garnish	11.120
MOLDING, Back Window Reveal	11.208
MOLDING, Exhaust Manifold Heater	3.602
MOLDING, Front Door	12.112
MOLDING, Front Door Window Reveal	10.707
MOLDING, Front Fender and Body Ornamentation	8.132
MOLDING, Headlamp	2.728
MOLDING, Instrument Panel Trim	10.252
MOLDING KIT, Hood Panel	8.015
MOLDING PKG, Front Fender and Body Side(Group 8.132)	21.450
MOLDING, Radiator Grille	1.268
MOLDING, Rear Compartment Floor	12.981
MOLDING, Rear Quarter Ornamentation	12.116
MOLDING, Rocker Panel	8.304
MOLDING, Roof Drip	12.075
MOLDING, Roof Panel	12.810
MOLDING, Windshield Garnish Molding	10.051
MOLDING, Windshield Reveal Molding	10.093
MOTOR, A.C. Evaporator Blower	9.215
MOTOR, Carburetor Air Cleaner Controls	3.415
MOTOR, Concealed Headlamp Control Drive	2.760
MOTOR, Engine Air Cooling(Electrical)	1.055
MOTOR, Front Door Window Regulator	10.783
MOTOR, Heater Blower Motor	8.855
MOTOR, Radio Antenna	9.647
MOTOR, Rear Window Defogger	9.778
MOTOR, Seat Adjuster	11.556

ALPHABETICAL INDEX

MOTOR, Starter	2 041	NUT, Rear Axle Control Arm	5 383
MOTOR, Windshield Wiper Motor	10 150	NUT, Rear Compartment Floor	12 981
MOUNTING, Engine	0 027	NUT, Rear Compartment Lid and End Gate	12 184
MOUNTING, Transmission Mounting	4 081	NUT, Rear Compartment Lid Lock	12 237
MOUNT, Transmission Mounting	4 081	NUT, Rear Spring and Axle	7 529
MOUNT, Transmission Mounting	4 081	NUT, Rear Spring and Shock Absorber Anchor Plate	7 516
N			
NECK, Fuel Tank Filler	3 003	NUT, Rear View Mirror	10 186
NEEDLE, Carburetor and Fuel Injection Idle Adjusting	3 822	NUT, Rear Window Defogger	9 778
NEEDLE KIT, Carburetor and Fuel Meter Intake (with Seat and Gasket)	3 814	NUT, Rocker Panel Molding	8 309
NIPPLE, Crankcase	1 745	NUT, Roof	12 952
NIPPLE, Fuel Tank Filler	3 003	NUT, Roof Panel	12 812
NIPPLE, Heater Water Flow	8 866	NUT, Roof Panel	12 810
NIPPLE, Spark Plug Wire	2 258	NUT, Shock Absorber	7 347
NOZZLE, Carburetor	3 774	NUT, Shock Absorber Anchor	7 395
NOZZLE, Fuel Injector Metering	3 332	NUT, Side Marker and Hazard Flasher	2 575
NOZZLE, Windshield Washer	10 156	NUT, Spare Wheel Carrier	7 633
NUMERAL, Hood Panel Ornamentation	8 055	NUT, Speedometer to Instrument Panel(Domestic)	9 761
NUT, A.C. Compressor Pulley	9 181	NUT, Stabilizer Link	7 245
NUT, A.C. Electric Control	9 275	NUT, Starter Solenoid	2 104
NUT, Air Injection Reactor Pump	3 655	NUT, Steering Column Attaching	6 760
NUT, Body Moldings	12 118	NUT, Steering Gear Housing	6 832
NUT, Body Rear End(Plastic Laminated)	12 986	NUT, Steering Gear Shaft	6 525
NUT, Bumper to Body	7 833	NUT, Steering Knuckle Spindle	6 022
NUT, Bumper Face	7 831	NUT, Steering Knuckle Lower Control Arm	6 172
NUT, Carburetor and Fuel Meter Intake (with Seat and Gasket)	3 814	NUT, Steering Pitman Arm	6 861
NUT, Carburetor and Fuel Meter Fuel Inlet	3 740	NUT, Steering Pump	6 655
NUT, Carburetor Air Cleaner and Silencer	3 403	NUT, Steering Relay & Tie Rod	6 104
NUT, Chassis Wiring Harness	2 559	NUT, Tail Lamp	2 660
NUT, Clock	9 772	NUT, Transmission Band Adjusting	4 253
NUT, Clutch Release Lever	0 873	NUT, Transmission Control Indicator	4 022
NUT, Crankcase	1 745	NUT, Transmission Control Rod	4 037
NUT, Distributor	2 383	NUT, Transmission Control Rod To Lever	4 037
NUT, Door Lock	10 474	NUT, Transmission Gearshift Rod	4 037
NUT, Door Outside Handle	10 527	NUT, Transmission Main Drive Gear Bearing	4 356
NUT, Door Window	10 716	NUT, Transmission Throttle Valve	4 275
NUT, Door Window Regulator	10 792	NUT, Underhood	8 890
NUT, Emission Control System	3 671	NUT, Upper Control Arm Shaft	6 164
NUT, Engine Air Cooling(Electrical)	1 055	NUT, Windshield Wiper Motor Drive	10 151
NUT, Engine Connecting Rod Bolt	0 626	NUT, Windshield Wiper Access	10 130
NUT, Engine Mounting	0 002	O	
NUT, Engine Valve Adjusting	0 429	O-RING, A.C. Compressor Pressure Relief	9 178
NUT, Exhaust Muffler	3 704	OIL, A.C. Maintenance	9 282
NUT, Exhaust Pipe	3 613	ORIFICE, A.C. Expansion Refrigerant	9 213
NUT, Exhaust Pipe	3 616	O RING, A.C. Compressor (Internal parts)(Radial)	9 172A
NUT, Front Door Trim Finish	14 691	O RING, A.C. Compressor (Internal Parts)(Axial)	9 172
NUT, Front Door Window	10 685	O RING, A.C. Refrigerant	9 196
NUT, Front Fender Name	8 147	O RING KIT, A.C. Compressor	9 170
NUT, Fuel Tank Filler	12 945	O RING, Power Brake Booster(Vacuum)	4 924
NUT, Generator Rotor Shaft	2 280	O RING, Rear Axle Shaft Bearing or Hub	5 822
NUT, Hardtop	13 346	O RING, Suction Throttling (P.O.A.)	9 198
NUT, Headlamp Mounting	2 729	O RING, Turn Signal Lamp	2 895
NUT, Headlamp Retaining Ring	2 736	ORNAMENT, Hood Panel Ornamentation	8 055
NUT, Headlamp Switch	2 487	ORNAMENT, Parking, Turn Signal and Cornering Lamp	2 586
NUT, Heater and Defroster	8 857	ORNAMENT, Wheel Cover Appearance	5 871
NUT, Hood Panel Closing	8 024	OUTLET, Air Distributor	9 262
NUT, Hub Front and Rear	5 813	OUTLET, Engine Coolant	1 153
NUT, Hydraulic Steering Cylinder	6 575	OVERHAUL KIT, Transmission Overhaul	4 005
NUT, Ignition Lock	2 198	P	
NUT, Instrument Cluster	9 743	PACKING, Exhaust Pipe	3 611
NUT, Instrument Panel Compartment Door	10 262	PAD, Brake and Clutch Pedal	4 630
NUT KIT, A.C. Compressor	9 170	PAD, Door	10 587
NUT, License Plate	7 800	PAD, Front Seat Back	14 802
NUT, Luggage Carrier	12 815	PAD, Instrument Panel	14 655
NUT, Luggage Compartment	9 988	PAD, Steering Column Housing	6 500
NUT, Propeller Shaft Pinion Flange	5 595	PAN, Engine Oil	1 426
NUT, Radiator	1 270	PANEL, Air Distributor	9 262
NUT, Radiator Baffle and Shroud	1 276	PANEL, Back Window Inner	12 964
NUT, Radiator Grille	1 269	PANEL, Body Rear End(Plastic Laminated)	12 986
NUT, Radiator Grille and Front End Panel	1 267	PANEL, Cowl Top Vent Louver	12 800
NUT, Radiator Grille and Front End Ornamentation	1 303	PANEL, Door Opening Rocker	12 934
NUT, Radio Antenna	9 647	PANEL, Folding Top Front Roof	14 050
NUT, Radio Mounting	9 667		
NUT, Radio Static Suppression	9 663		
NUT, Rear Axle	5 829		

WAREHOUSING DISTRIBUTION DIVISION OF GENERAL MOTORS CORPORATION—CHEVROLET—14A

INDEX

76

C-22

ALPHABETICAL INDEX

PANEL, Front Door	10 351	PIN, Transmission Reverse Idler Gear	4 435
PANEL, Front Door Trim	14 685	PIN, Transmission Reverse Idler Shaft	4 435
PANEL, Front Fender	8 130	PIN, Transmission Servo & Accumulator	4 226
PANEL, Front Seat Back Trim	11 358	PIN, Transmission Servo & Accumulator	4 229
PANEL, Instrument Panel	10 230	PIN, Transmission Shift Shaft Detent	4 311
PANEL, Panel	8 000	PIN, Transmission Shift Control Cable	4 047
PANEL, Plenum Air	9 789	PIN, Transmission Throttle Valve	4 275
PANEL, Radiator	1 263	PIPE, Air Cleaner Air Intake	3 417
PANEL, Radio Auxiliary Speakers	9 665	PIPE, Air Injection Reactor	3 675
PANEL, Rear Body Lock Pillar	12 942	PIPE, Automatic Choke Control	3 750
PANEL, Rear Compartment	15 222	PIPE, Carburetor and Fuel Meter Fuel Inlet	3 740
PANEL, Rear Compartment Floor	12 981	PIPE, Choke Heater or Air	3 603
PANEL, Rear Compartment Lid and Rear End Panel	12 182	PIPE, Crankcase Ventilation	1 762
PANEL, Rear End	12 966	PIPE, Early Fuel Evaporation	3 145
PANEL, Rear Quarter	15 100	PIPE, Exhaust Manifold Heat	3 647
PANEL, Rear Quarter Side Outer	12 940	PIPE, Fuel Line	3 163
PANEL, Rear Quarter Trim Pad	15 101	PIPE, Heater	5 846
PANEL, Rear Quarter Upper (Above Belt)	14 645	PIPE, Oil Pressure Gage	1 803
PANEL, Roof Panel	12 810	PIPE, Steering Gear Oil Pressure	6 670
PANEL, Roof Trim Headlining	14 640	PIPE, Transmission Case	4 104
PANEL, Shroud and Dash and Vent Duct	12 804	PIPE, Transmission Oil Pan	4 197
PANEL, Tail Lamp	2 680	PIPE, Transmission Oil	4 248
PANEL, Windshield Wiper Access	10 130	PIPE, Transmission Oil Cooler	4 128
PAN KIT, Engine Oil	1 426	PIPE, Transmission Vacuum	4 205
PAN, Transmission Oil	4 195	PISTON, A.C. Compressor (Internal Parts)(Axial)	9 172
PAWL, Door Outside Lock Cylinder	10 551	PISTON, Brake Master Cylinder Secondary	4 653
PAWL KIT, Windshield Washer Pump	10 153	PISTON, Carburetor Power	3 858
PAWL, Transmission Park Lock	4 220	PISTON, Engine	0 629
PAWL, Transmission Parking Brake	4 294	PISTON KIT, Power Brake Booster(Vacuum)	4 922
PAWL, Windshield Wiper Motor Drive	10 151	PISTON KIT, Transmission Clutch	4 166
PEDAL, Accelerator Pedal	3 451	PISTON, Power Brake Booster(Vacuum)	4 922
PEDAL, Brake Pedal	4 625	PISTON, Suction Throttling (P.O.A.)	9 198
PEDAL, Engine Clutch Pedal	0 830	PISTON, Transmission Clutch	4 166
PILLAR, Front Body Hinge Pillar	12 840	PISTON, Transmission Low Servo	4 228
PILLAR, Rear Body Lock Pillar	12 942	PISTON, Transmission Clutch	4 166
PILTER, Engine Fuel	3 890	PISTON, Transmission Servo & Accumulator	4 228
PIN, A.C. Compressor Pressure Relief	9 178	PISTON, Transmission Rear Servo	4 241
PIN, Accelerator Pedal Mounting	3 452	PISTON, Wheel Cylinder	4 668
PIN, Brake Shoe Anchor	5 055	PISTON, Windshield Washer Pump	10 153
PIN, Brake Shoe Hold Down	5 043	PIVOT, Brake Shoe Automatic Adjusting	5 103
PIN, Carburetor and Fuel Meter Float Lever	3 747	PIVOT, Concealed Headlamp Control Opening Cover	2 765
PIN, Clutch Fork Push Rod Adj	0 793	PIVOT, Headlamp Dimmer	2 459
PIN, Clutch Release Lever	0 875	PIVOT KIT, Headlamp Dimmer	2 459
PIN, Concealed Headlamp Control Opening Cover	2 765	PLASTIGAGE, Engine Main Bearing Clearance	0 093
PIN, Distributor Shaft Thrust and Gear	2 379	PLATE, A.C. Compressor (Internal Parts)(Axial)	9 172
PIN, Door Hinge	10 466	PLATE, A.C. Compressor (Internal parts)(Radial)	9 172A
PIN, Door Inside Locking Rod	10 565	PLATE, A.C. Control	9 279
PIN, Engine Cylinder Head	0 293	PLATE, Accelerator Pedal	3 451
PIN, Folding and Hard Top	14 080	PLATE, Air Cleaner Air Intake	3 417
PIN, Folding Top Actuator	14 478	PLATE, Air Distributor	9 262
PIN, Front Door Wedge	10 584	PLATE, Air Distributor	9 786
PIN, Front Door Window Regulator	10 783	PLATE, Automatic Choke Control	3 750
PIN, Fuel Injection Distributor	3 340	PLATE, Brake and Clutch Pedal	4 630
PIN, Fuel Tank Filler	12 945	PLATE, Brake Flange	5 001
PIN, Headlamp Dimmer	2 459	PLATE, Brake Shoe Guide	5 045
PIN, Hood Latch	8 080	PLATE, Bumper	7 836
PIN, Hood Latch Release Cable	8 077	PLATE, Clutch Pedal Pull Back Spring	0 846
PINION KIT, Transmission Output Shaft or Carrier	4 175	PLATE, Differential Clutch	5 511
PIN, King	6 203	PLATE, Distributor Breaker	2 385
PIN KIT, Brake Shoe Hold Down	5 043	PLATE, Dome and Reading Lamp	11 927
PIN KIT, King	6 203	PLATE, Door Lock	10 571
PIN, Master Cylinder Adjusting	4 662	PLATE, Door Lock Inside Handle Escutcheon(Trim Protector)	10 515
PIN, Oil Pump	1 639	PLATE, Door Window Regulator Handle	10 805
PIN, Plenum Air	9 789	PLATE, Door Window Regulator	10 792
PIN, Rear Spring and Axle	7 529	PLATE, Engine Clutch	0 859
PIN, Roof Panel	12 810	PLATE, Engine Clutch Driven	0 886
PIN, Starter Motor Brush	2 052	PLATE, Engine Clutch Pressure	0 863
PIN, Starter Motor Drive Shift	2 108	PLATE, Floor Pan	12 980
PIN, Steering Column	6 514	PLATE, Folding Top Compartment	12 170
PIN, Steering Pump	6 608	PLATE, Folding Top Roof Rail	14 090
PIN, Transmission Converter	4 115	PLATE, Front Body Hinge Pillar	12 840
PIN, Transmission Control Valve	4 265	PLATE, Front Door Sill	11 175
PIN, Transmission Control	4 008	PLATE, Front Fender and Body Ornamentation	8 132
PIN, Transmission Control Lever	4 003	PLATE, Front Fender Name	8 147
PIN, Transmission Gearshift	4 307	PLATE, Front Seat Back	11 373
PIN, Transmission Governor	4 256	PLATE, Fuel Pump Mounting	3 901
PIN, Transmission Oil Pump	4 226	PLATE, Generator Drive End	2 307
PIN, Transmission Oil Pump	4 203	PLATE, Headlamp Dimmer	2 459
PIN, Transmission Pressure Regulator and Oil Pump	4 216	PLATE, Heater	6 845
PIN, Transmission Rear Servo	4 241	PLATE, Heater	8 849
		PLATE, Heater and Defroster	8 857
		PLATE, Hood Latch	8 083

ALPHABETICAL INDEX

PLATE, Hood Latch	R 080
PLATE, Hood Panel	8.021
PLATE, Hood Panel Ornamentation	8.055
PLATE, Ignition Switch Warning, Lock or Headlamp	2.195
PLATE, Instrument Cluster	9.743
PLATE, Instrument Panel Harness	2.483
PLATE KIT, Differential Clutch	5.511
PLATE KIT, Steering Pump	6.612
PLATE, Power Brake Booster(Vacuum)	4.922
PLATE, Power Brake Booster	4.910
PLATE, Radiator	1.270
PLATE, Radio Antenna	9.647
PLATE, Rear Axle Control Arm	5.381
PLATE, Rear Body Lock Pillar	12.942
PLATE, Rear Compartment Floor	12.981
PLATE, Rear Compartment Lid and Rear End Panel	12.182
PLATE, Rear Spring and Shock Absorber Anchor	7.518
PLATE, Rear View Mirror	10.186
PLATE, Roof Panel	12.810
PLATE, Seat Belt	14.875
PLATE, Stabilizer Link	7.245
PLATE, Steering Column	6.518
PLATE, Steering Column	6.514
PLATE, Steering Column Housing	6.500
PLATE, Steering Pump	6.609
PLATE, Steering Pump	6.612
PLATE, Transmission Clutch	4.163
PLATE, Transmission Clutch(Low & Reverse)	4.180
PLATE, Transmission Control Valve	4.265
PLATE, Transmission Clutch Drive and Driven	4.163
PLATE, Transmission Control Indicator	4.020
PLATE, Transmission Control Selector	1.020
PLATE, Transmission Control Lever Trim	4.017
PLATE, Transmission Control Lever	4.015
PLATE, Transmission Control Lever Trim	4.017
PLATE, Transmission Counter Gear	4.423
PLATE, Transmission Control Lever	4.015
PLATE, Transmission Gearshift Hand Lever (Floor Mounted)	4.017
PLATE, Transmission Indicator Dial	4.020
PLATE, Transmission Reverse Idler Gear Thrust	4.437
PLATE, Transmission Rear Servo	4.241
PLATE, Transmission Synchronizer	4.384
PLATE, Transmission Shift Control Cable	4.047
PLATE, Turn Signal Lamp	2.895
PLATE, Windshield Wiper Motor	10.152
PLENUM, Rear Quarter Side Inner	12.941
PLIERS, Outside Air	9.787
PLUG, Air Injection Reactor and Exhaust Gas Recirculation	3.680
PLUG, Body Center	12.491
PLUG, Carburetor Air Valve	3.757
PLUG, Catalytic Converter	3.685
PLUG, Concealed Headlamp Opening Cover	2.770
PLUG, Coolant Temperature (Engine Unit)	1.150
PLUG, Door	10.587
PLUG, Door	10.778
PLUG, Door Ventilator	10.661
PLUG, Door Weatherstrip	10.694
PLUG, Engine Block	0.034
PLUG, Engine Camshaft Bearing	0.553
PLUG, Engine Clutch Pedal	0.829
PLUG, Engine Cylinder Head	0.293
PLUG, Engine Fuel Intake Manifold	3.265
PLUG, Engine Tune-up	2.270
PLUG, Floor Pan	12.980
PLUG, Hood Latch Release	8.075
PLUG, Hydraulic Steering Cylinder Piston Rod	6.581
PLUG, Hydraulic Steering Adapter	6.560
PLUG, Oil Distribution	1.531
PLUG, Oil Pan Drain	1.453
PLUG, Oil Pressure Regulator	1.609
PLUG, Rear Axle or Final Drive Filler and Drain	5.400
PLUG, Rear Compartment Floor	12.981
PLUG, Seat Belt	14.875
PLUG, Steering Connecting Rod End	6.881
PLUG, Steering King Pin Dust	6.223
PLUG, Tail Lamp	2.694
PLUG, Tail Lamp Mounting	2.688
PLUG, Transmission Case	4.105
PLUG, Transmission Case	4.105
PLUG, Transmission Control Valve	4.265

PLUG, Transmission Control Lever	4.008
PLUG, Transmission Gearshift Control Hand Lever	4.008
PLUG, Transmission Mainshaft	4.172
PLUG, Transmission Oil Pump	4.224
PLUG, Transmission Parking Brake	4.294
PLUG, Transmission Pressure Regulator and Oil Pump	4.216
PLUG, Transmission Shift Shaft Detent	4.311
PLUG, Wheel Cylinder	4.666
PLUNGER, Power Brake Booster(Vacuum)	4.918
PLUNGER, Starter Motor Solenoid	2.113
PLUNGER, Transmission Vacuum	4.205
POCKET, Instrument Panel	14.655
POINTER, Engine Front Cover	0.219
POINT KIT, Distributor	2.384
POLE PIECE, Distributor	2.372
POLE, Starter Motor Shoe	2.077
POPNET, Power Brake Booster Valve Body	4.940
POUCH, Catalytic Converter	3.785
PRINTED CIRCUIT, Instrument Cluster	9.744
PROTECTOR, Door Edge	10.152
PROTECTOR, Door Lock	10.159
PROTECTOR, Folding Top	14.310
PULLEY, A.C. Compressor Drive	0.110
PULLEY, Air Injection Reactor Pump	3.710
PULLEY, Engine Crankshaft	0.009
PULLEY, Fan and Coolant Pump	1.067
PULLEY, Generator	2.274
PULLEY, Parking Brake	4.790
PULLEY, Steering Pump	6.655
PUMP, Air Injection Reactor Pump	3.660
PUMP, Carburetor (with Leather and Shaft)	3.838
PUMP, Engine Fuel Pump	3.900
PUMP, Engine Oil, Pump	1.652
PUMP KIT, A.C. Compressor (Internal Parts)(Axial)	9.172
PUMP KIT, Engine Coolant Pump	1.069
PUMP, Power Steering	6.605
PUMP, Transmission Oil Supply	4.200
PUMP, Windshield Washer Pump	10.153
PURGE VALVE, Fuel Tank Evaporator Control(Engine End)	3.130

R

RACE, A.C. Compressor (Internal Parts)(Axial)	9.172
RACE, Steering Column	6.521
RACE, Steering Gear Thrust	6.835
RACE, Transmission Clutch(Low & Reverse)	4.180
RACE, Transmission Clutch	4.168
RACK CAGE, Front Seat Adjuster	11.561
RACK, Ignition Switch Warning, Lock or Headlamp	2.195
RACK KIT, Ignition Switch Warning, Lock or Headlamp	2.195
RADIATOR, Engine Cooling	1.219
RAIL, Door Window Regulator	10.792
RECEIVER, A.C. Refrigerant	9.195
RECEIVER, Door, Quarter Arm Rest or Front Seat Back	12.045
RECEIVER, Radio	9.650
REFLECTOR, Cigarette Lighter	9.709
REFLECTOR, Dome and Reading Lamp	11.927
REGULATOR, Door Ventilator	10.661
REGULATOR, Front Door Window Regulator	10.783
REGULATOR, Voltage	2.500
REINFORCEMENT, Battery Hold Down	2.335
REINFORCEMENT, Brake Pedal	4.634
REINFORCEMENT, Bumper Face	7.877
REINFORCEMENT, Bumper Guard	7.828
REINFORCEMENT, Differential Carrier Mounting	5.500
REINFORCEMENT, Door Electric and Vacuum Locks	10.485
REINFORCEMENT, Door Window	10.777
REINFORCEMENT, Energy Absorber Bar Guide	7.829
REINFORCEMENT, Engine Valve Rocker Arm Cover	0.413
REINFORCEMENT, Fan and Coolant Pump	1.062
REINFORCEMENT, Fender Wheelhouse	8.155
REINFORCEMENT, Floor Console	10.240

ALPHABETICAL INDEX

REINFORCEMENT, Frame Front Cross Member	7.039	RETAINER, Carburetor and Fuel Injection Choke	3.752
REINFORCEMENT, Front Fender	8.141	RETAINER, Carburetor Pump Outlet Valve	3.625
REINFORCEMENT, Front Body Hinge Pillar	12.840	RETAINER, Cigarette Lighter	9.709
REINFORCEMENT, Hood Latch	8.080	RETAINER, Clutch and Brake Pedal Shaft	0.837
REINFORCEMENT, Hydraulic Steering Cylinder	6.575	RETAINER, Concealed Headlamp Control Drive	2.760
REINFORCEMENT, Instrument Panel	10.230	RETAINER, Cowl Ledge	12.801
REINFORCEMENT, Radiator	1.265	RETAINER, Cruise Control	3.885
REINFORCEMENT, Radiator to Grille	1.287	RETAINER, Cylinder Poppet	4.942
REINFORCEMENT, Radio Antenna	9.647	RETAINER, Differential Clutch	5.511
REINFORCEMENT, Rear Compartment Floor	12.981	RETAINER, Distributor	2.372
REINFORCEMENT, Rear Compartment Lid and End Gate	12.184	RETAINER, Distributor	2.364
REINFORCEMENT, Roof Panel	12.810	RETAINER, Door Lock Cylinder	10.553
REINFORCEMENT, Seat Belt	14.875	RETAINER, Door Outside Lock Cylinder	10.551
REINFORCEMENT, Shroud and Dash and Vent Duct	12.804	RETAINER, Door Window Regulator Handle	10.806
REINFORCEMENT, Steering Column	6.521	RETAINER, Engine Piston Pin	0.639
REINFORCEMENT, Tail Lamp Mounting	2.662	RETAINER, Exhaust Muffler	3.704
REINFORCEMENT, Windshield Wiper		RETAINER, Exhaust Pipe	3.616
Transmission	10.160	RETAINER, Fender Wheelhouse	8.155
REINFORCEMENT, Windshield Wiper Access	10.130	RETAINER, Floor Pan	12.980
REINFORCEMENT, Windshield Wiper Motor	10.152	RETAINER, Front Door Trim Binding Strip	14.683
RELAY, A.C. Electrical	9.277	RETAINER, Front Fender Molding	8.133
RELAY, Automatic Choke Control	3.750	RETAINER, Front Fender Name	8.147
RELAY, Body Harness	13.095	RETAINER, Front Fender	8.141
RELAY, Carburetor Air Cleaner Controls	3.415	RETAINER, Front Seat Bottom Hinge	11.375
RELAY, Carburetor Idle	3.440	RETAINER, Front Wheel Hub Grease	6.330
RELAY, Concealed Headlamp Motor	2.755	RETAINER, Fuel Pipe	3.162
RELAY, Emission Control System	3.670	RETAINER, Fuel Tank Evaporator Control(Engine End)	3.130
RELAY, Engine and Transmission Controlled Spark	2.408	RETAINER, Headlamp Control	2.775
RELAY, Engine Fuel Pump	3.900	RETAINER, Hood Latch	8.085
RELAY, Horn	2.815	RETAINER, Hood Latch Release Cable	8.077
RELAY, Ignition Switch Warning, Lock or Headlamp	2.195	RETAINER, Hood Panel	8.021
RELAY, Radio Antenna	9.647	RETAINER, Horn Button Blowing	2.819
RELAY, Rear Window Defogger	9.778	RETAINER, Horn Button	2.820
RELAY, Transmission Control Spark	4.075	RETAINER, Ignition Switch Warning, Lock or Headlamp	2.195
RELAY, Transmission Smog Control	4.075	RETAINER, Instrument Panel	10.230
RELAY, Windshield Wiper Motor	10.150	RETAINER, Instrument Panel Trim	10.252
REPAIR KIT, carburetor (rochester)MAJOR	3.725A	RETAINER, Instrument Panel Compartment Door Lock	10.267
REPAIR KIT, Brake Master Cylinder	4.649	RETAINER, Instrument Panel Ash Tray	12.009
REPAIR KIT, Carburetor (Rochester) Minor	3.725B	RETAINER, Instrument Cluster Lens	9.747
REPAIR KIT, Carburetor (holly) major	3.725G	RETAINER, Instrument Cluster	9.743
REPAIR KIT, Carburetor (holly) minor	3.725F	RETAINER, Luggage Carrier	12.815
REPAIR KIT, Catalytic Converter	3.685	RETAINER, Master Cylinder Adjusting	4.662
REPAIR KIT, Chassis Electrical	2.530	RETAINER, Oil Pressure Regulator	1.609
REPAIR KIT, Power Brake Booster(Vacuum)	4.898	RETAINER, Oil Pump	1.639
REPAIR KIT, Propeller Shaft Universal Joint	5.548	RETAINER, Outside Air	9.787
REPAIR KIT, Rear Axle Universal Joint	5.425	RETAINER, Parking Brake Lever	5.158
REPAIR KIT, Refrigerant Flow Sight	9.202	RETAINER, Parking Brake Lever Housing	4.612
REPAIR KIT, Steering Gear Hydraulic Valve	6.551	RETAINER, Parking Brake Cable	4.785
REPAIR KIT, Wheel Brake	4.665	RETAINER, Parking Brake Cable	4.785
REPAIR KIT, Wheel Brake	4.667	RETAINER, Power Brake Booster	4.910
RESERVOIR, Engine Coolant Recovery	1.240	RETAINER, Power Brake Booster(Vacuum)	4.922
RESERVOIR KIT, Steering Pump	6.635	RETAINER, Power Brake Booster(Hydraulic)	4.810
RESERVOIR, Steering Pump	6.635	RETAINER, Power Brake Booster	4.913
RESERVOIR, Windshield Washer	10.154	RETAINER, Propeller Shaft Universal Joint Trunnion	5.560
RESISTOR, A.C. Electric Control	9.275	RETAINER, Radiator	1.270
RESISTOR, Distributor	2.383	RETAINER, Radio Mounting	9.667
RESISTOR, Generator	2.319	RETAINER, Rear Axle Control Arm	5.381
RESISTOR, Heater Blower Motor	8.855	RETAINER, Rear Axle U Joint	5.428
RESISTOR, Ignition Coil	2.173	RETAINER, Rear Compartment Floor	12.981
RESTRICTOR, Fuel Line	3.163	RETAINER, Rear Compartment Lid or Tailgate Decoration	12.183
RETAINER, auto Jack	8.82	RETAINER, Rear Compartment	12.249
RETAINER, A.C. Compressor Shaft	9.175	RETAINER, Rear Hatch Window	12.180
RETAINER, A.C. Compressor (Internal Parts)(Axial)	9.172	RETAINER, Rear Hatch Window	12.187
RETAINER, Accelerator Pedal Lever	3.454	RETAINER, Rear Quarter	15.100
RETAINER, Air Duct	9.782	RETAINER, Rear Spring	7.545
RETAINER, Air Outlet	9.264	RETAINER, Rear Spring and Axle	7.529
RETAINER, Automatic Choke Control	3.750	RETAINER, Rear View Mirror	10.186
RETAINER, Battery Hold Down	2.335	RETAINER, Rocker Panel Molding	8.309
RETAINER, Brake Pedal	4.634	RETAINER, Roof Panel	12.810
RETAINER, Bumper	7.832	RETAINER, Seat Belt	14.875
RETAINER, Bumper to Body	7.833	RETAINER, Shock Absorber	7.389
RETAINER, Bumper Energy Absorber	7.840	RETAINER, Spark Plug Wire	2.251
RETAINER, Bumper Face	7.831	RETAINER, Speedometer Driven Gear	4.338
RETAINER, Bumper Mounting	7.865	RETAINER, Stabilizer Link	7.245
RETAINER, Bumper Mounting	7.874	RETAINER, Stabilizer Shaft	7.242
RETAINER, Carburetor Air Cleaner	3.410	RETAINER, Steering Column	6.514
RETAINER, Carburetor Air Cleaner Controls	3.415	RETAINER, Steering Column Housing	6.500
RETAINER, Carburetor Throttle Control	3.425	RETAINER, Steering Column	6.521
RETAINER, Carburetor Pump	3.841	RETAINER, Steering Gear Shaft	6.525

ALPHABETICAL INDEX

RETAINER, Steering Gear Hydraulic Valve	6 552	RING, Transmission Governor	4 256
RETAINER, Steering Knuckle Lower Control Arm	6 170	RING, Transmission Housing	4 162
RETAINER, Steering Knuckle Upper Control Arm	6 163	RING, Transmission Input and Turbine Shaft	4 123
RETAINER, Steering Wheel	6 515	RING, Transmission Low Servo	4 228
RETAINER, Tail Lamp	2 660	RING, Transmission Mainshaft	4 172
RETAINER, Transmission Clutch	4 164	RING, Transmission Main Drive Gear Bearing Retainer	4 376
RETAINER, Transmission Parking Brake	4 290	RING, Transmission Oil Pump	4 226
RETAINER, Transmission	4 115	RING, Transmission Oil Pump	4 224
RETAINER, Transmission Oil Pump	4 226	RING, Transmission Output Shaft or Carrier	4 176
RETAINER, Transmission Vacuum	4 205	RING, Transmission Output Shaft or Carrier	4 175
RETAINER, Transmission Clutch	4 167	RING, Transmission Pressure Regulator and Oil Pump	4 216
RETAINER, Transmission Throttle Valve	4 275	RING, Transmission Reverse Servo	4 241
RETAINER, Transmission Governor	4 256	RING, Transmission Rear Internal Gear	4 187
RETAINER, Transmission Rear Main	4 317	RING, Transmission Rear Servo	4 242
RETAINER, Transmission Input and Turbine Shaft	4 123	RING, Transmission Rear Bearing and Mainshaft	4 412
RETAINER, Transmission Main Drive Gear Bearing	4 356	RING, Transmission Reverse Idler Gear	4 435
RETAINER, Transmission Control Lock Cable	4 070	RING, Transmission Servo & Accumulator	4 229
RETAINER, Transmission Control Lock Cable	4 070	RING, Transmission Servo & Accumulator	4 228
RETAINER, Transmission Synchronizing	4 383	RING, Transmission Shift Control Shaft	4 027
RETAINER, Transmission Control Indicator	4 022	RING, Transmission Shift Control Lever	4 027
RETAINER, Transmission Control Lock Cable	4 070	RING, Transmission Synchronizer	4 384
RETAINER, Transmission Control Lever	4 015	RING, Transmission Synchronizing	4 384
RETAINER, Transmission Shift Control Shaft	4 027	RING, Transmission Synchronizer	4 383
RETAINER, Transmission Main Drive Gear Bearing	4 356	RING, Transmission Synchronizing	4 383
RETAINER, Transmission Control Indicator	4 020	RING, Universal Joint Bearing and Flange	5 586
RETAINER, Transmission Gearshift Shaft	4 027	RING, Wheel Cover Appearance	5 871
RETAINER, Transmission Converter	4 115	RING, Wheel Cylinder	4 666
RETAINER, Transmission Control Switch	4 060	RING, Windshield Washer Pump	10 153
RETAINER, Transmission Control Rod To Lever	4 037	RING, Windshield Wiper Motor Drive	10 151
RETAINER, Transmission Clutch(Low & Reverse)	4 180	RIVET, Bumper Energy Absorber	7 840
RETAINER, Transmission Servo & Accumulator	4 233	RIVET, Door Ventilator	10 669
RETAINER, Transmission Clutch	4 169	RIVET, Rear Compartment Floor	12 981
RETAINER, Transmission Output Shaft or Carrier	4 176	RIVET, Transmission Pressure Regulator and Oil Pump	4 216
RETAINER, Transmission Low Servo	4 228	RIVET, Windshield Wiper Access	10 130
RETAINER, Transmission Control Lock Cable	4 070	ROD, Accelerator Pedal	3 431
RETAINER, Transmission Servo & Accumulator	4 228	ROD, Back Up Lamp	2 698
RETAINER, Transmission Rear Servo	4 246	ROD, Brake Pedal Push	4 658
RETAINER, Universal Joint Bearing and Flange	5 586	ROD, Bumper	7 836
RETAINER, Vacuum Power Brake Cylinder Relay Valve	4 935	ROD, Bumper Mounting	7 865
RETAINER, Wheel Cover Appearance	5 871	ROD, Carburetor	3 755
RETAINER, Windshield Reveal Molding	10 093	ROD, Carburetor and Fuel Injection Choke	3 752
RETAINER, Windshield Reveal	10 096	ROD, Carburetor Air Cleaner Controls	3 415
RETAINER, Windshield Wiper Transmission	10 160	ROD, Carburetor Metering	3 806
RING, A.C. Compressor Shaft	9 175	ROD, Carburetor Pump Connector	3 843
RING, A.C. Compressor (Internal Parts)(Axial)	9 172	ROD, Carburetor Throttle	3 762
RING, A.C. Compressor Pulley	9 181	ROD, Clutch Fork Release	0 787
RING, A.C. Compressor (Internal parts)(Radial)	9 172A	ROD, Concealed Headlamp Control Opening Cover	2 765
RING, A.C. Refrigerant	9 195	ROD, Cruise Control	3 885
RING, Carburetor and Fuel Meter Fuel Inlet	3 740	ROD, Door Inside Locking Rod	10 559
RING, Differential Bearing Adjusting	5 537	ROD, Door Inside Locking	10 563
RING, Door Outside Handle	10 529	ROD, Engine Clutch Pedal Control	0 854
RING, Exhaust Pipe	3 611	ROD, Engine Piston	0 603
RING, Front Seat Back	11 373	ROD, Engine Valve Push	0 426
RING GEAR, Transmission Output Shaft or Carrier	4 175	ROD, Folding Top	14 340
RING, Headlamp	2 726	ROD, Fuel Pump	3 935
RING, Headlamp Retaining	2 731	ROD, Headlamp Dimmer	2 409
RING, Horn Button Blowing	2 819	ROD, Headlamp Switch	2 486
RING, Hydraulic Steering Cylinder Piston Rod	6 581	ROD, Ignition Switch Warning, Lock or Headlamp	2 195
RING, King Pin Oil	6 225	ROD KIT, Radio Antenna	9 647
RING KIT, Engine Piston	0 643	ROD, Outside Air	9 787
RING KIT, Steering Pump	6 610	ROD, Power Brake Booster(Vacuum)	4 924
RING KIT, Transmission Overhaul	4 005	ROD, Radiator to Grille	1 287
RING KIT, Transmission Rear Bearing and Mainshaft	4 412	ROD, Radiator Support Mounting	1 274
RING, Rear Axle Shaft Bearing	5 816	ROD, Radio Antenna	9 647
RING, Rear Axle U Joint	5 428	ROD, Rear Axle Tie	5 415
RING, Rear Compartment Floor	12 981	ROD, Rear Hatch Window	12 187
RING, Speedometer Drive Gear	4 338	ROD, Roof Panel	12 810
RING, Starter Motor Thrust	2 063	ROD, Steering Column	6 514
RING, Steering Pump	6 609	ROD, Steering Column Housing	6 500
RING, Steering Pump Drive Shaft Outer Bearing Retainer	6 616	ROD, Steering Relay	6 870
RING, Transmission Clutch	4 164	ROD, Throttle Control	3 430
RING, Transmission Clutch	4 168	ROD, Tie Rod	6 233
RING, Transmission Clutch	4 167	ROD, Transmission Control	4 035
RING, Transmission Clutch	4 163	ROD, Transmission Control Lever	4 006
RING, Transmission Clutch	4 169	ROD, Transmission Control	4 035
RING, Transmission Clutch(Low & Reverse)	4 180	ROD, Transmission Gearshift Control (Hand)	4 006
RING, Transmission Gearshift Shaft	4 027	ROD, Transmission Safety Starting Switch	4 054
		ROD, Transmission Servo & Accumulator	4 228
		ROD, Transmission Throttle Valve	4 050

ALPHABETICAL INDEX

<p>ROD, Windshield Wiper Control 10 163</p> <p>ROD, Windshield Wiper Blade 10 147</p> <p>ROLLER, Air Distributor 9 786</p> <p>ROLLER, Door Window 10 728</p> <p>ROLLER, Front Door Window Regulator 10 783</p> <p>ROLLER KIT, Transmission Clutch(Low & Reverse) 4 180</p> <p>ROLLER, Transmission Planet Carrier 4 176</p> <p>ROLLER, Transmission Manual Detent 4 293</p> <p>ROLLER, Transmission Mainshaft 4 352</p> <p>ROLLER, Transmission Clutch 4 167</p> <p>ROLLER, Transmission Countershaft Gear 4 422</p> <p>ROLLER, Transmission Mainshaft Front Pilot to Main Drive Gear 4 352</p> <p>ROTATOR, Engine Valve Spring 0 309</p> <p>ROTOR, A.C. Compressor (Internal parts)(Radial) 9 172A</p> <p>ROTOR, Distributor 2 382</p> <p>ROTOR, Generator 2 279</p> <p>RUN, Front Door Window Glass 10 701</p>	<p>SCREW, Flywheel 0 679</p> <p>SCREW, Folding and Hard Top 14 080</p> <p>SCREW, Folding Top 14 340</p> <p>SCREW, Front Body Hinge Pillar 12 840</p> <p>SCREW, Front Fender 8 143</p> <p>SCREW, Front Fender Name 8 147</p> <p>SCREW, Front Seat Bottom Hinge 11 375</p> <p>SCREW, Fuel or Air Meter 3 314</p> <p>SCREW, Fuel Gage to Tank 3 112</p> <p>SCREW, Fuel Meter 3 322</p> <p>SCREW, Fuel Pump Mounting 3 901</p> <p>SCREW, Fuel Tank Evaporator Control(Engine End) 3 130</p> <p>SCREW, Fuel Tank Filler 3 028</p> <p>SCREW, Fuel Tank Filler 3 003</p> <p>SCREW, Generator 2 319</p> <p>SCREW, Generator Brush 2 291</p> <p>SCREW, Generator Drive End 2 307</p> <p>SCREW, Generator Mounting 2 277</p> <p>SCREW, Hardtop 13 346</p> <p>SCREW, Headlamp Control 2 775</p> <p>SCREW, Headlamp Mounting 2 729</p> <p>SCREW, Headlamp Retaining Ring 2 736</p> <p>SCREW, Hood Latch 8 080</p> <p>SCREW, Horn Button Blowing 2 819</p> <p>SCREW, Ignition Coil Mounting 2 183</p> <p>SCREW, Ignition Switch 2 188</p> <p>SCREW, Ignition Switch Warning, Lock or Headlamp 2 195</p> <p>SCREW, Instrument Cluster 9 743</p> <p>SCREW, Instrument Panel Trim 10 252</p> <p>SCREW, Instrument Panel Compartment Door 10 262</p> <p>SCREW, License Plate 7 800</p> <p>SCREW, Luggage Carrier 12 815</p> <p>SCREW, Oil Pan 1 428</p> <p>SCREW, Oil Pan Drain 1 453</p> <p>SCREW, Pinion Shaft Lock 5 518</p> <p>SCREW, Radiator 1 270</p> <p>SCREW, Radiator Baffle and Shroud 1 276</p> <p>SCREW, Radio Static Suppression 9 663</p> <p>SCREW, Rear Axle or Final Drive Filler and Drain 5 400</p> <p>SCREW, Rear Axle Housing 5 393</p> <p>SCREW, Rear Compartment Lid Lock 12 237</p> <p>SCREW, Rear End Belt or Panel 12 121</p> <p>SCREW, Rear License Lamp 2 708</p> <p>SCREW, Rear View Mirror 10 186</p> <p>SCREW, Rocker Panel Molding 8 309</p> <p>SCREW, Roof 12 952</p> <p>SCREW, Roof Drip 12 075</p> <p>SCREW, Roof Panel 12 810</p> <p>SCREW, Roof Trim Headlining 14 640</p> <p>SCREW, Seat Back Locking 11 390</p> <p>SCREW, Stabilizer Shaft 7 242</p> <p>SCREW, Starter Motor 2 042</p> <p>SCREW, Starter Motor Shoe 2 077</p> <p>SCREW, Steering Column 6 514</p> <p>SCREW, Steering Column Housing 6 500</p> <p>SCREW, Steering Column Attaching 6 760</p> <p>SCREW, Steering Column 6 518</p> <p>SCREW, Steering Gear Ball Return Guide 6 843</p> <p>SCREW, Steering Gear Shaft 6 525</p> <p>SCREW, Suction Throttling (P.O.A.) 9 198</p> <p>SCREW, Transmission Control 4 012</p> <p>SCREW, Transmission Control Lever 4 012</p> <p>SCREW, Transmission Front Servo 4 226</p> <p>SCREW, Transmission Oil Pan 4 196</p> <p>SCREW, Transmission Oil 4 195</p> <p>SCREW, Transmission Oil Pump 4 203</p> <p>SCREW, Transmission Oil Pump 4 226</p> <p>SCREW, Turn Signal Lamp 2 895</p> <p>SCREW, Turn Signal Switch 2 906</p> <p>SCREW, Voltage 2 500</p> <p>SCREW, Wheel Cover Appearance 5 871</p> <p>SCREW, Wheel Cylinder 4 668</p> <p>SCREW, Windshield Upper and Lower 12 807</p> <p>SCREW, Windshield Washer Pump 10 153</p> <p>SCREW, Windshield Wiper Motor 10 150</p> <p>SEAL & CLAMP KIT, Steering Gear Hydraulic Valve 6 551</p> <p>SEAL, A.C. Compressor Shaft 9 175</p> <p>SEAL, A.C. Compressor (Internal parts)(Radial) 9 172A</p> <p>SEAL, A.C. Compressor 9 226</p> <p>SEAL, A.C. Evaporator Expansion Valve 9 214</p>
<h3 style="margin: 0;">S</h3>	
<p>SASH, Door Ventilator Glass (With Tee Shaft) 10 655</p> <p>SASH, Front Door Window 10 685</p> <p>SCREEN, A.C. Compressor (Internal Parts)(Axial) 9 172</p> <p>SCREEN, A.C. Refrigerant 9 195</p> <p>SCREEN, Carburetor and Fuel Meter Fuel Inlet 3 740</p> <p>SCREEN, Carburetor Air Cleaner 3 410</p> <p>SCREEN, Instrument Panel Opening 10 256</p> <p>SCREEN KIT, Transmission Oil Pan 4 197</p> <p>SCREEN, Oil Pump 1 656</p> <p>SCREEN, Rear Quarter Side Inner 12 941</p> <p>SCREEN, Transmission Throttle Valve 4 265</p> <p>SCREEN, Transmission Oil 4 248</p> <p>SCREEN, Transmission Oil Pump 4 224</p> <p>SCREEN, Transmission Oil Pump Suction 4 197</p> <p>SCREW, A.C. Compressor 9 177</p> <p>SCREW, A.C. Compressor Drive 9 180</p> <p>SCREW, A.C. Compressor (Internal Parts)(Axial) 9 172</p> <p>SCREW, A.C. Condenser 9 190</p> <p>SCREW, A.C. Evaporator Expansion Valve 9 214</p> <p>SCREW, A.C. Refrigerant 9 195</p> <p>SCREW, Air Distributor 9 262</p> <p>SCREW, Automatic Choke Control 3 750</p> <p>SCREW, Back Up Lamp 2 698</p> <p>SCREW, Back Window Reveal Molding 11 209</p> <p>SCREW, Battery Cable 2 343</p> <p>SCREW, Battery Hold Down 2 334</p> <p>SCREW, Brake Cylinder and Pedal Shaft 4 648</p> <p>SCREW, Brake Main Cylinder 4 656</p> <p>SCREW, Brake Shoe Adjusting 5 110</p> <p>SCREW, Carburetor 3 755</p> <p>SCREW, Carburetor (with Leather and Shaft) 3 838</p> <p>SCREW, Carburetor and Fuel Injection Fast Idle Cam 3 767</p> <p>SCREW, Carburetor and Fuel Injection Choke 3 752</p> <p>SCREW, Carburetor and Fuel Injection Fast Idle 3 766</p> <p>SCREW, Carburetor and Fuel Injection Idle Adjusting 3 822</p> <p>SCREW, Carburetor and Fuel Meter Intake (with Seat and Gasket) 3 814</p> <p>SCREW, Carburetor and Fuel Meter Fuel Inlet 3 740</p> <p>SCREW, Carburetor Air 3 730</p> <p>SCREW, Carburetor Body 3 741</p> <p>SCREW, Carburetor Choke 3 751</p> <p>SCREW, Carburetor Pump 3 841</p> <p>SCREW, Carburetor Throttle Valve and Throttle Lever Adjusting 3 761</p> <p>SCREW, Concealed Headlamp Control Drive 2 760</p> <p>SCREW, Concealed Headlamp Control Opening Cover 2 765</p> <p>SCREW, Differential Carrier 5 506</p> <p>SCREW, Distributor 2 393</p> <p>SCREW, Distributor 2 383</p> <p>SCREW, Distributor 2 372</p> <p>SCREW, Distributor Cap Retaining 2 358</p> <p>SCREW, Door Handle Push Button 12 195</p> <p>SCREW, Door Lock 10 474</p> <p>SCREW, Door Window Regulator 10 792</p> <p>SCREW, Emission Control System 3 671</p> <p>SCREW, Engine Valve Adjusting 0 429</p>	<p>SCREW, Flywheel 0 679</p> <p>SCREW, Folding and Hard Top 14 080</p> <p>SCREW, Folding Top 14 340</p> <p>SCREW, Front Body Hinge Pillar 12 840</p> <p>SCREW, Front Fender 8 143</p> <p>SCREW, Front Fender Name 8 147</p> <p>SCREW, Front Seat Bottom Hinge 11 375</p> <p>SCREW, Fuel or Air Meter 3 314</p> <p>SCREW, Fuel Gage to Tank 3 112</p> <p>SCREW, Fuel Meter 3 322</p> <p>SCREW, Fuel Pump Mounting 3 901</p> <p>SCREW, Fuel Tank Evaporator Control(Engine End) 3 130</p> <p>SCREW, Fuel Tank Filler 3 028</p> <p>SCREW, Fuel Tank Filler 3 003</p> <p>SCREW, Generator 2 319</p> <p>SCREW, Generator Brush 2 291</p> <p>SCREW, Generator Drive End 2 307</p> <p>SCREW, Generator Mounting 2 277</p> <p>SCREW, Hardtop 13 346</p> <p>SCREW, Headlamp Control 2 775</p> <p>SCREW, Headlamp Mounting 2 729</p> <p>SCREW, Headlamp Retaining Ring 2 736</p> <p>SCREW, Hood Latch 8 080</p> <p>SCREW, Horn Button Blowing 2 819</p> <p>SCREW, Ignition Coil Mounting 2 183</p> <p>SCREW, Ignition Switch 2 188</p> <p>SCREW, Ignition Switch Warning, Lock or Headlamp 2 195</p> <p>SCREW, Instrument Cluster 9 743</p> <p>SCREW, Instrument Panel Trim 10 252</p> <p>SCREW, Instrument Panel Compartment Door 10 262</p> <p>SCREW, License Plate 7 800</p> <p>SCREW, Luggage Carrier 12 815</p> <p>SCREW, Oil Pan 1 428</p> <p>SCREW, Oil Pan Drain 1 453</p> <p>SCREW, Pinion Shaft Lock 5 518</p> <p>SCREW, Radiator 1 270</p> <p>SCREW, Radiator Baffle and Shroud 1 276</p> <p>SCREW, Radio Static Suppression 9 663</p> <p>SCREW, Rear Axle or Final Drive Filler and Drain 5 400</p> <p>SCREW, Rear Axle Housing 5 393</p> <p>SCREW, Rear Compartment Lid Lock 12 237</p> <p>SCREW, Rear End Belt or Panel 12 121</p> <p>SCREW, Rear License Lamp 2 708</p> <p>SCREW, Rear View Mirror 10 186</p> <p>SCREW, Rocker Panel Molding 8 309</p> <p>SCREW, Roof 12 952</p> <p>SCREW, Roof Drip 12 075</p> <p>SCREW, Roof Panel 12 810</p> <p>SCREW, Roof Trim Headlining 14 640</p> <p>SCREW, Seat Back Locking 11 390</p> <p>SCREW, Stabilizer Shaft 7 242</p> <p>SCREW, Starter Motor 2 042</p> <p>SCREW, Starter Motor Shoe 2 077</p> <p>SCREW, Steering Column 6 514</p> <p>SCREW, Steering Column Housing 6 500</p> <p>SCREW, Steering Column Attaching 6 760</p> <p>SCREW, Steering Column 6 518</p> <p>SCREW, Steering Gear Ball Return Guide 6 843</p> <p>SCREW, Steering Gear Shaft 6 525</p> <p>SCREW, Suction Throttling (P.O.A.) 9 198</p> <p>SCREW, Transmission Control 4 012</p> <p>SCREW, Transmission Control Lever 4 012</p> <p>SCREW, Transmission Front Servo 4 226</p> <p>SCREW, Transmission Oil Pan 4 196</p> <p>SCREW, Transmission Oil 4 195</p> <p>SCREW, Transmission Oil Pump 4 203</p> <p>SCREW, Transmission Oil Pump 4 226</p> <p>SCREW, Turn Signal Lamp 2 895</p> <p>SCREW, Turn Signal Switch 2 906</p> <p>SCREW, Voltage 2 500</p> <p>SCREW, Wheel Cover Appearance 5 871</p> <p>SCREW, Wheel Cylinder 4 668</p> <p>SCREW, Windshield Upper and Lower 12 807</p> <p>SCREW, Windshield Washer Pump 10 153</p> <p>SCREW, Windshield Wiper Motor 10 150</p> <p>SEAL & CLAMP KIT, Steering Gear Hydraulic Valve 6 551</p> <p>SEAL, A.C. Compressor Shaft 9 175</p> <p>SEAL, A.C. Compressor (Internal parts)(Radial) 9 172A</p> <p>SEAL, A.C. Compressor 9 226</p> <p>SEAL, A.C. Evaporator Expansion Valve 9 214</p>

ALPHABETICAL INDEX

SEAL, A.C. Evaporator	9.211	SEAL, Steering Gear Pitman Shaft	6.855
SEAL, Accelerator Cable	3.469	SEAL, Steering Gear Repair	6.507
SEAL, Air Cleaner to Carburetor Mounting	3.406	SEAL, Steering Gear Shaft	6.525
SEAL, Air Cleaner Air Intake	3.417	SEAL, Steering Idler	6.898
SEAL, Air Distributor	9.786	SEAL, Steering Knuckle Upper and Lower Control Arm	6.166
SEAL, Air Distributor	9.262	SEAL, Steering Pump	6.635
SEAL, Air Outlet	9.260	SEAL, Steering Pump	6.609
SEALANT, Engine Coolant Outlet	1.154	SEAL, Steering Pump Drive Shaft	6.617
SEALANT, Engine Valve Rocker Arm Cover	0.423	SEAL, Steering Tie Rod	6.242
SEALANT, Manifold to Cylinder Head	3.270	SEAL, Suction Throttling (P.O.A.)	9.198
SEAL, Brake Cylinder and Pedal Shaft	4.648	SEAL, Transmission	4.115
SEAL, Bumper to Body	7.833	SEAL, Transmission Case	4.103
SEALBEAM, Headlamp	2.727	SEAL, Transmission Converter	4.115
SEAL, Carburetor and Fuel Injection Choke	3.752	SEAL, Transmission Control Lever	4.015
SEAL, Differential Drive Pinion	5.469	SEAL, Transmission Control Lever Trim	4.017
SEAL, Distributor and Fuel Injector	2.363	SEAL, Transmission Control Lever	4.015
SEAL, Distributor Drive Shaft	2.375	SEAL, Transmission Detent Control	4.050
SEAL, Door Outside Handle	10.529	SEAL, Transmission Extension	4.318
SEAL, Door Window Regulator	10.792	SEAL, Transmission Front Servo	4.226
SEAL, Engine Clutch Lever & Shaft	0.851	SEAL, Transmission Gearshift Shaft	4.027
SEAL, Engine Clutch Pedal	0.829	SEAL, Transmission Gearshift	4.107
SEAL, Engine Crankshaft Front	0.213	SEAL, Transmission Governor	4.256
SEAL, Engine Rear Main Bearing	0.137	SEAL, Transmission Hand Lever (Floor Mounted)	4.015
SEAL, Engine Valve	0.308	SEAL, Transmission Internal Selector Shaft	4.313
SEAL, Folding Top Motor and Pump	14.482	SEAL, Transmission Internal Shift	4.302
SEAL, Front Door	10.470	SEAL, Transmission Input and Turbine Shaft	4.123
SEAL, Front Door Wedge	10.584	SEAL, Transmission Main Drive Gear Bearing	4.354
SEAL, Front Door Window Glass Channel (Outer & Inner)	10.710	SEAL, Transmission Manual Shaft	4.282
SEAL, Front Fender	8.154	SEAL, Transmission Oil Pan	4.197
SEAL, Front Wheel Hub Bearing	6.326	SEAL, Transmission Oil Pump	4.226
SEAL, Fuel Meter	3.322	SEAL, Transmission Oil Filler	4.133
SEAL, Fuel Tank Filler Neck	3.008	SEAL, Transmission Oil Pump	4.203
SEAL, Generator Slip Ring End Frame	2.298	SEAL, Transmission Oil Filler	4.133
SEAL, Headlamp Control	2.775	SEAL, Transmission Output Shaft or Carrier	4.176
SEAL, Heater	8.845	SEAL, Transmission Park Lock	4.220
SEAL, Heater Core	8.854	SEAL, Transmission Rear Servo	4.242
SEAL, Hood Panel Ornamentation	8.055	SEAL, Transmission Rear Bearing Retainer	4.318
SEAL, Hydraulic Steering Cylinder Piston Rod	6.581	SEAL, Transmission Rear Main Bearing	4.318
SEAL, Ignition Coil Mounting	2.183	SEAL, Transmission Servo & Accumulator	4.229
SEAL, Instrument Cluster	9.749	SEAL, Transmission Servo	4.212
SEAL, Instrument Panel	10.230	SEAL, Transmission Servo & Accumulator	4.228
SEAL KIT, A.C. Compressor	9.170	SEAL, Transmission Shift Control Shaft	4.027
SEAL KIT, A.C. Compressor Shaft	9.175	SEAL, Transmission Solenoid	4.122
SEAL KIT, Engine Rear Main Bearing	0.137	SEAL, Transmission Throttle Valve	4.278
SEAL KIT, Engine Valve	0.308	SEAL, Transmission Throttle Valve	4.275
SEAL KIT, Rear Axle Shaft Bearing or Hub	5.822	SEAL, Transmission Vacuum	4.205
SEAL KIT, Steering Pump	6.609	SEAL, Wheel Brake	4.667
SEAL KIT, Transmission Clutch	4.166	SEAL, Wiring and Pipes	9.775
SEAL KIT, Transmission Servo & Accumulator	4.229	SEAT, A.C. Compressor (Internal Parts)(Axial)	9.172
SEAL KIT, Transmission Oil Pump	4.226	SEAT, Engine Clutch Lever & Shaft	0.851
SEAL KIT, Transmission Oil Pump	4.203	SEAT, Folding Top Compartment Lid	12.242
SEAL KIT, Transmission Clutch	4.166	SEAT, Hood Latch	8.085
SEAL, Lamp Monitor	2.584	SEAT, Hydraulic Steering Adapter	6.560
SEAL, Oil Pan	1.429	SEAT, Hydraulic Steering Cylinder Piston Rod	6.581
SEAL, Parking Brake Cable	4.784	SEAT, Intake Manifold Vacuum	3.278
SEAL, Parking Brake Lever Housing	4.612	SEAT, Rear Compartment Lid Lock	12.237
SEAL, Power Brake Booster	4.910	SEAT, Steering Column	6.521
SEAL, Power Brake Booster(Vacuum)	4.918	SEAT, Steering Connecting Rod	6.874
SEAL, Power Brake Booster	4.845	SEAT, Steering Gear Oil Pressure Hose	6.673
SEAL, Power Brake Booster(Vacuum)	4.924	SEAT, Transmission Clutch	4.164
SEAL, Propeller Shaft Universal Joint Trunnion	5.560	SEAT, Transmission Pressure Regulator and Oil Pump	4.216
SEAL, Radiator Support Mounting	1.274	SEAT, Transmission Servo & Accumulator	4.233
SEAL, Rear Axle Shaft Bearing or Hub	5.822	SECTOR, Ignition Switch Warning, Lock or Headlamp	2.195
SEAL, Rear Axle U Joint	5.430	SECTOR KIT, Ignition Switch Warning, Lock or Headlamp	2.195
SEAL, Rear Compartment Floor	12.981	SENDER, Coolant Temperature (Engine Unit)	1.150
SEAL, Rear Compartment	12.269	SENDER, Oil Pressure or Temperature	1.800
SEAL, Rear Compartment Lid and Rear End Panel	12.182	SENSOR, Carburetor Air Cleaner Controls	3.415
SEAL, Rear Window Defogger	9.778	SENSOR, Coolant Temperature (Engine Unit)	1.150
SEAL, Roof Panel	12.810	SENSOR, Emission Control Sensors	3.682
SEAL RING, A.C. Evaporator Expansion Valve	9.214	SENSOR, Oil Pressure or Temperature	1.800
SEAL RING, A.C. Refrigerant (All Metal)	9.220	SENSOR, Speedometer to Instrument Panel(Domestic)	9.761
SEAL RING, A.C. Refrigerant	9.196	SEPARATOR, Evaporation Emission System(Fuel Tank End)	3.120
SEAL RING KIT, A.C. Refrigerant	9.196	SERVO, Cruise Control	3.885
SEAL RING, Refrigerant Flow Sight	9.202	SHACKLE KIT, Rear Spring	7.523
SEAL, Shroud and Dash and Vent Duct	12.804	SHAFT, A.C. Compressor	9.170
SEAL, Speedometer Driven Gear	4.338	SHAFT, Air Distributor	9.786
SEAL, Steering Column	6.758	SHAFT, Brake Pedal	4.634
SEAL, Steering Column	6.519	SHAFT, Carburetor and Fuel Injection Choke	3.752
SEAL, Steering Connecting Rod	6.886		
SEAL, Steering Gear Hydraulic Valve	6.552		
SEAL, Steering Gear Oil Hose	6.674		
SEAL, Steering Gear Oil Pressure Hose	6.673		

WAREHOUSING DISTRIBUTION DIVISION OF GENERAL MOTORS CORPORATION--CHEVROLET--14A

MICROFICHE INDEX

GROUP 3.000

FICHE 2 OF 6

GROUP DESCRIPTION	STARTING GRID LOCATION	
	PARTS	ILLUSTRATIONS
- INTRODUCTION	A-6	I-2
- GENERAL INFORMATION	A-2	I-2
- ALPHABETICAL INDEX	C-11	N.A.
- INDEX FOR ADDITIONAL INFORMATION	A-5	N.A.
3.000 FUEL - EXHAUST - CARBURETION	E-2	I-6
- CARBURETOR CHARTS	F-20	N.A.
- OUT OF FICHE CALLS	N.A.	N-9

D-1

ALPHABETICAL INDEX

SHAFT, Differential Side Pinion	5.517	SHIM, Bumper Mounting	7.865
SHAFT, Distributor	2.372	SHIM, Differential Clutch	5.511
SHAFT, Front Door Window Regulator	10.783	SHIM, Distributor Shaft Thrust and Gear	2.379
SHAFT, Fuel Injection Distributor	3.340	SHIM, Door Hinge	10.450
SHAFT, Ignition Switch Warning, Lock or Headlamp	2.195	SHIM, Engine Mounting	0.002
SHAFT KIT, Oil Pump	1.639	SHIM, Engine Valve	0.303
SHAFT KIT, Transmission Parking Brake	4.294	SHIM, Folding Top	14.340
SHAFT KIT, Transmission Input and Turbine Shaft	4.123	SHIM, Hood Hinge	8.016
SHAFT, Oil Pump	1.639	SHIM, King Pin Thrust Bearing	6.214
SHAFT, Power Brake Booster(Vacuum)	4.924	SHIM KIT, Differential Rear Pinion Bearing	5.460
SHAFT, Propeller	5.544	SHIM KIT, Differential Bearing Adjusting	5.537
SHAFT, Rear Axle	5.420	SHIM KIT, Engine Main Bearing Cap	0.153
SHAFT, Rear Axle Control Arm	5.381	SHIM KIT, Steering Gear Lash Adjuster	6.828
SHAFT, Rear Axle Universal Joint	5.425	SHIM, Radiator	1.270
SHAFT, Rear Compartment Lid Lock Cylinder	12.252	SHIM, Rear Axle Control Arm	5.380
SHAFT, Speedometer to Instrument Panel(Domestic)	9.761	SHIM, Rear Compartment Lid and End Gate	12.184
SHAFT, Stabilizer	7.241	SHIM, Rear View Mirror	10.186
SHAFT, Starter Motor Drive Shift	2.108	SHIM, Rear Wheel	5.855
SHAFT, Steering Column	6.524	SHIM, Roof Panel	12.810
SHAFT, Steering Knuckle Lower Control Arm	6.169	SHIM, Seat Back	11.381
SHAFT, Steering Pump	6.614	SHIM, Seat Back Locking	11.390
SHAFT, Tachometer	9.750	SHIM, Starter Motor	2.042
SHAFT, Transmission Countergear	4.428	SHIM, Steering Knuckle Upper Control Arm	6.178
SHAFT, Transmission Gearshift	4.309	SHIM, Warning	2.810
SHAFT, Transmission Gearshift Control Shifter	4.025	SHIM, Windshield Wiper Access	10.130
SHAFT, Transmission Internal Shift	4.302	SHOE KIT, Brake	5.017
SHAFT, Transmission Input and Turbine Shaft	4.123	SHOE, Steering Column	6.514
SHAFT, Transmission Mainshaft	4.172	SHROUD, Radiator Fan	1.277
SHAFT, Transmission Main Drive	4.403	SHROUD, Steering Column	6.518
SHAFT, Transmission Main Drive	4.403	SHROUD, Transmission Control Lever	4.010
SHAFT, Transmission Output Shaft or Carrier	4.175	SIGHT GLASS KIT, Refrigerant Flow Sight	9.202
SHAFT, Transmission Parking Brake	4.294	SILENCER, Power Brake Booster	4.913
SHAFT, Transmission Reverse Idler	4.433	SILL, Door Opening Rocker	12.934
SHAFT, Transmission Reverse Idler	4.433	SKI ADAPTER PKG, Roof & Deck Lid(Group 12.810)	21.060
SHAFT, Transmission Shift Control	4.025	SKIIRT, Front Fender	8.153
SHAFT, Transmission Sun Gear and Shaft	4.161	SLEEVE, A.C. Compressor (Internal Parts)(Axial)	9.172
SHAFT, Transmission Shifter Shaft	4.309	SLEEVE, Air Injection Reactor Pump	3.655
SHAFT, Transmission Throttle Valve	4.275	SLEEVE, Carburetor Throttle Control	3.425
SHAFT, Upper Control Arm Shaft	6.164	SLEEVE, Clock	9.772
SHAFT, Valve Rocker Arm	0.353	SLEEVE, Concealed Headlamp Control Opening Cover	2.765
SHAFT, Windshield Wiper Motor Drive	10.151	SLEEVE, Distributor Breaker	2.385
SHELF, Instrument Panel	14.655	SLEEVE, Emission Control System	3.671
SHELL, A.C. Compressor	9.170	SLEEVE, Heater	8.846
SHELL, A.C. Refrigerant	9.195	SLEEVE, Instrument Cluster	9.748
SHELL KIT, A.C. Refrigerant	9.195	SLEEVE, Intake & Exhaust Manifold	3.273
SHELL, Power Brake Booster(Vacuum)	4.906	SLEEVE KIT, A.C. Condenser	9.190
SHELL, Transmission Output Shaft or Carrier	4.175	SLEEVE KIT, Steering Tie Rod Adjuster	6.232
SHIELD, Back Window Gutter	10.997	SLEEVE KIT, Transmission Control Rod To Lever	4.037
SHIELD, Brake Flange Plate	5.002	SLEEVE, Luggage Carrier	12.815
SHIELD, Catalytic Converter	3.690	SLEEVE, Oil Pump	1.639
SHIELD, Chassis Wiring Harness	2.559	SLEEVE, Roof Panel	12.810
SHIELD, Distributor	2.383	SLEEVE, Speedometer Driven Gear	4.338
SHIELD, Door Lock Remote Control	10.500	SLEEVE, Speedometer Driven Gear	4.338
SHIELD, Engine Fuel Intake Manifold	3.265	SLEEVE, Transmission Gearshift	4.307
SHIELD, Engine Valve	0.308	SLEEVE, Transmission First And Reverse Gear Thrust	4.419
SHIELD, Exhaust Manifold Heater	3.602	SLEEVE, Transmission Oil Pump	4.224
SHIELD, Exhaust Tail Pipe	3.705	SLIDE BLOCK, Front Seat Adjuster	11.561
SHIELD, Floor Pan	12.980	SLINGER, Differential Drive Pinion	5.484
SHIELD, Front Door	10.470	SLINGER, Generator Drive End	2.307
SHIELD, Front Fender	8.153	SLINGER, Transmission Main Drive Gear Bearing	4.374
SHIELD, Fuel Line	3.163	SOCKET, Back Up Lamp	2.697
SHIELD, Headlamp	2.726	SOCKET, Brake Shoe Adjusting Screw	5.111
SHIELD, Ignition Switch Warning, Lock or Headlamp	2.195	SOCKET, Instrument Cluster	9.744
SHIELD, Instrument Cluster	9.748	SOCKET, Instrument Cluster Warning	9.765
SHIELD, Instrument Panel Compartment Lamp	10.275	SOCKET, Luggage Compartment	3.988
SHIELD KIT, Distributor	2.393	SOCKET, Parking Lamp	2.596
SHIELD, Radiator to Grille	1.287	SOCKET, Rear License Lamp	2.714
SHIELD, Radio Static Suppression	9.663	SOCKET, Side Marker and Hazard Flasher	2.575
SHIELD, Rear Axle Universal Joint	5.425	SOCKET, Tail Lamp	2.694
SHIELD, Rear Compartment Floor	12.981	SOCKET, Tie Rod	6.233
SHIELD, Rear Wheel Bearing Dust	5.815	SOLENOID, Carburetor Air Cleaner Controls	3.415
SHIELD, Side Marker and Hazard Flasher	2.575	SOLENOID, Carburetor Idle	3.440
SHIELD, Spark Plug Wire	2.251	SOLENOID, Early Fuel Evaporation Control	3.140
SHIELD, Starter Solenoid	2.104	SOLENOID, Emission Control System	3.670
SHIELD, Steering Column	6.514	SOLENOID, Engine and Transmission Controlled Spark	2.408
SHIELD, Wheelhouse	12.944	SOLENOID, Transmission Solenoid	4.122
SHIELD, Windshield Wiper Motor Drive	10.151	SOLENOID VALVE, Windshield Wiper Access	10.130
SHIM, A.C. Compressor Mounting	9.171	SPACER, A.C. Compressor Pulley	9.181
SHIM, Body to Frame Bolt	9.023	SPACER, A.C. Compressor Mounting	9.171
SHIM, Bumper Energy Absorber	7.840		

ALPHABETICAL INDEX

SPACER, A C Evaporator Blower	9 215	SPRING, Carburetor Metering Rod	3 810
SPACER, Air Distributor	9 262	SPRING, Carburetor Power Piston	3 859
SPACER, Air Distributor	9 766	SPRING, Carburetor Pump	3 841
SPACER, Air Injection Reactor and Exhaust Gas Recirculation	3 680	SPRING, Carburetor Throttle Valve and Throttle Lever Adjusting	3 761
SPACER, Air Injection Reactor Pump	3 650	SPRING, Clutch and Brake Pedal Shaft	0 837
SPACER, Air Injection Reactor Pump	3 655	SPRING, Clutch Pressure	0 865
SPACER, Back Window	11 204	SPRING, Clutch Pressure Lever Retainer	0 878
SPACER, Battery	2 333	SPRING, Concealed Headlamp Control Opening Cover	2 755
SPACER, Body to Frame Bolt	9 023	SPRING, Concealed Headlamp Control Drive	2 760
SPACER, Brake Pedal	4 626	SPRING CLIP, A C Vacuum & Temperature	9 281
SPACER, Bumper Energy Absorber	7 840	SPRING CLIP, Concealed Headlamp Control Opening Cover	2 765
SPACER, Concealed Headlamp Opening Cover	2 770	SPRING CLIP, Cruise Control	3 885
SPACER, Differential Bearing Adjusting	5 537	SPRING CLIP, Speedometer to Instrument Panel(Domestic)	9 761
SPACER, Differential Drive Pinion Front and Center Bearing	5 453	SPRING CLIP, Windshield Washer	10 155
SPACER, Door Weatherstrip	10 695	SPRING, Differential Clutch	5 511
SPACER, Early Fuel Evaporation	3 145	SPRING, Distributor Breaker	2 385
SPACER, Engine Cooling	1 064	SPRING, Distributor Weight	2 389
SPACER, Engine Fan Coolant	1 060	SPRING, Door Lock Cylinder	10 553
SPACER, Exhaust	3 609	SPRING, Door Lock Inside	10 512
SPACER, Front Seat Back Panel	11 368	SPRING, Door Outside Handle	10 529
SPACER, Fuel Line	3 163	SPRING, Engine Clutch Fork Return	0 844
SPACER, Generator	2 317	SPRING, Engine Clutch Lever & Shaft	0 851
SPACER, Generator Mounting	2 277	SPRING, Engine Clutch	0 864
SPACER, Hardtop	13 346	SPRING, Engine Clutch Release Fork	0 796
SPACER, Hydraulic Steering Valve	6 554	SPRING, Engine Valve	0 303
SPACER, Hydraulic Steering Cylinder Piston Rod	6 581	SPRING, Folding and Hard Top	14 080
SPACER, Parking Brake	4 790	SPRING, Folding Top Compartment Lid	12 242
SPACER, Radiator Grille and Front End Panel	1 267	SPRING, Folding Top Compartment	12 170
SPACER, Radio Antenna	9 647	SPRING, Front Chassis	7 412
SPACER, Radio Control	9 649	SPRING, Front Seat Adjuster	11 561
SPACER, Rear Axle Shaft Bearing	5 816	SPRING, Front Seat Manual Adjuster	11 581
SPACER, Rear Compartment	12 269	SPRING, Fuel Tank Evaporator Control(Engine End)	3 130
SPACER, Rear Compartment Lid and End Gate	12 184	SPRING, Fuel Tank Filler	12 945
SPACER, Rear Compartment Lid Lock	12 237	SPRING, Generator	2 319
SPACER, Rear Spring	7 535	SPRING, Generator Brush	2 286
SPACER, Rear Spring and Shock Absorber Anchor	7 518	SPRING, Headlamp Adjuster	2 737
SPACER, Seat Belt	14 875	SPRING, Headlamp Dimmer	2 459
SPACER, Stabilizer	7 240	SPRING, Heat Valve Actuator	3 641
SPACER, Starter Motor	2 042	SPRING, Hood Latch	8 083
SPACER, Steering Column	6 514	SPRING, Hood Latch	8 085
SPACER, Steering Idler Lever	6 897	SPRING, Horn Button Blowing	2 819
SPACER, Steering Knuckle Control Arm	6 176	SPRING, Hydraulic Steering Cylinder Piston Rod	6 581
SPACER, Steering Pump Mounting	6 606	SPRING, Hydraulic Steering Adapter	6 560
SPACER, Transmission Housing	4 162	SPRING, Ignition Switch Warning, Lock or Headlamp	2 195
SPACER, Transmission Mainshaft Front Pilot to Main Drive Gear	4 353	SPRING, Instrument Cluster Warning	9 765
SPACER, Transmission Mounting	4 085	SPRING, Instrument Panel Ash Tray	12 009
SPACER, Transmission Pressure Regulator and Oil Pump	4 216	SPRING, Instrument Panel	14 655
SPACER, Transmission Mount and Support	4 085	SPRING KIT, Brake Shoe	5 026
SPACER, Transmission Counter Gear	4 423	SPRING KIT, Engine Valve	0 303
SPACER, Transmission Mainshaft Bearing	4 353	SPRING KIT, Windshield Washer Pump	10 153
SPACER, Transmission Oil Pump	4 226	SPRING, Oil Pressure Regulator	1 609
SPACER, Turn Signal Lamp	2 895	SPRING, Parking Brake Lever	5 151
SPACER, Universal Joint Yoke Trunnion	5 566	SPRING, Plenum Air	9 789
SPACER, Windshield Glass	10 027	SPRING, Power Brake Booster(Vacuum)	4 924
SPACER, Windshield Reveal	10 096	SPRING, Rear Chassis	7 503
SPEAKER, Radio	9 650	SPRING, Rear Compartment	12 249
SPEAKER, Radio Auxiliary Speakers	9 665	SPRING, Rear View Mirror	10 186
SPHERE KIT, Steering Column	6 514	SPRING, Side Marker and Hazard Flasher	2 575
SPHERE, Steering Column	6 514	SPRING, Starter Drive	2 087
SPINDLE, Rear Wheel	5 806	SPRING, Starter Motor Drive Shift	2 108
SPLITTER BOX, Radio Antenna	9 647	SPRING, Starter Motor Brush	2 053
SPOTLIGHT PKG, Portable Spot(Group 9.773)	21 290	SPRING, Steering Column	6 521
SPRAG, Transmission Clutch	4 167	SPRING, Steering Column Housing	6 500
SPRAG, Transmission Clutch(Low & Reverse)	4 180	SPRING, Steering Column	6 514
SPRING, auto Jack	8 820	SPRING, Steering Connecting Rod	6 876
SPRING, Accelerator Return Spring	3 459	SPRING, Steering Gear Hydraulic Valve	6 552
SPRING, Air Distributor	9 786	SPRING, Steering Gear Shaft	6 525
SPRING, Brake Drum	5 810	SPRING, Steering Pump	6 612
SPRING, Brake Hose or Pipe	4 681	SPRING, Sunshade	10 219
SPRING, Brake Pull Back	4 760	SPRINGS, Front Chassis	7 412
SPRING, Brake Shoe	5 026	SPRINGS, Rear Chassis	7 503
SPRING, Brake Shoe Automatic Adjusting Lever	5 107	SPRING, Transmission Control Lever	4 008
SPRING, Carburetor (with Leather and Shaft)	3 838	SPRING, Transmission Clutch(Low & Reverse)	4 180
SPRING, Carburetor and Fuel Injection Fast Idle Adjusting Screw	3 823	SPRING, Transmission Shift Shaft Detent	4 311
SPRING, Carburetor and Fuel Meter Fuel Inlet	3 766	SPRING, Transmission Clutch	4 163
SPRING, Carburetor and Fuel Meter Fuel Inlet	3 740	SPRING, Transmission Pressure Regulator and Oil Pump	4 216
SPRING, Carburetor Air Valve	3 757	SPRING, Transmission Shift Control Cable	4 047
SPRING, Carburetor Diaphragm Return	3 763		

WAREHOUSING DISTRIBUTION DIVISION OF GENERAL MOTORS CORPORATION—CHEVROLET—14A

ALPHABETICAL INDEX

SPRING, Transmission Clutch	4 164	STRUT, Parking Brake Lever	5 150
SPRING, Transmission Synchronizing	4 413	STRUT, Rear Axle Tie	5 415
SPRING, Transmission Oil Pump	4 226	STUD, A.C. Compressor Mounting	9 171
SPRING, Transmission Clutch	4 167	STUD, Accelerator Pedal Mounting	3 452
SPRING, Transmission Control Rod To Lever	4 037	STUD, Accelerator Return Spring	3 459
SPRING, Transmission Control	4 008	STUD, Air Cleaner Air Intake	3 417
SPRING, Transmission Control Rod	1 037	STUD, Air Distributor	9 786
SPRING, Transmission Shift Control Lever	4 027	STUD, Battery Hold Down	2 334
SPRING, Transmission Shift Shaft Detent	4 311	STUD, Carburetor to Manifold	3 288
SPRING, Transmission Synchronizing	4 413	STUD, Carburetor to Manifold	3 726
SPRING, Transmission First And Reverse Gear Thrust	4 419	STUD, Carburetor Air Cleaner and Silencer	3 403
SPRING, Transmission Rear Bearing and Mainshaft	4 412	STUD, Carburetor Throttle Control	3 425
SPRING, Transmission Gearshift Shaft	4 027	STUD, Concealed Headlamp Control Opening Cover	2 765
SPRING, Transmission Throttle Valve	4 275	STUD, Cruise Control	3 880
SPRING, Transmission Front Servo	4 233	STUD, Emission Control System	3 671
SPRING, Transmission Parking Brake	4 295	STUD, Engine Air Cool Fan	1 050
SPRING, Transmission Gearshift Control Hand Lever	4 008	STUD, Engine Clutch Lever & Shaft	0 851
SPRING, Transmission Main Valve	4 216	STUD, Engine Clutch Release Fork	0 796
SPRING, Transmission Servo & Accumulator	4 233	STUD, Engine Coolant	1 153
SPRING, Transmission Rear Servo	4 246	STUD, Engine Coolant Pump	1 073
SPRING, Transmission Gearshift Rod	4 037	STUD, Engine Fan Coolant	1 060
SPRING, Transmission Vacuum	4 205	STUD, Engine Fuel Intake Manifold	3 265
SPRING, Transmission Clutch	4 164	STUD, Engine Main Bearing Cap	0 056
SPRING, Transmission Control Lever	4 027	STUD, Engine Oil Pump	1 652
SPRING, Turn Signal Switch Cancelling	2 896	STUD, Engine Valve Adjusting	0 429
SPRING, Wheel Cylinder	4 663	STUD, Engine Valve Rocker Arm Cover	0 413
SPRING, Windshield Wiper Motor Drive	10 151	STUD, Exhaust Pipe	3 613
SPRING, Windshield Wiper Motor	10 150	STUD, Flywheel	0 679
SPROCKET, Engine Camshaft	0 736	STUD, Folding and Hard Top	14 080
SPROCKET, Engine Crankshaft	0 728	STUD, Fuel Pump Mounting	3 901
STATOR, Generator Field	2 310	STUD, Hardtop	13 346
STOP, Concealed Headlamp Control Opening Cover	2 765	STUD, Hydraulic Steering Cylinder Piston Rod	6 561
STOP, Door Window	10 716	STUD, Ignition Switch	2 188
STOP, Folding Top	14 340	STUD, Intake & Exhaust Manifold	3 275
STOP, Headlamp Control	2 775	STUD, Intake Manifold Vacuum	3 278
STOP, Transmission Pressure Regulator and Oil Pump	4 216	STUD, Oil Pan	1 428
STOVE, Air Cleaner Air Intake	3 417	STUD, Rear Hatch Window	12 187
STRAINER, Fuel Tank Gage	3 110	STUD, Starter Motor Drive Shift	2 108
STRAP, A.C. Compressor	9 242	STUD, Starter Motor Switch	2 102
STRAP, Battery(Negative)	2 341	STUD, Steering Connecting Rod	6 874
STRAP, Chassis Wiring Harness	2 559	STUD, Steering Pump Mounting	6 606
STRAP, Distributor	2 383	STUD, Throttle Control Lever	3 463
STRAP, Distributor	2 400	STUD, Transmission Throttle Valve Control	4 052
STRAP, Engine Cooling	1 219	STUD, Windshield Wiper Access	10 130
STRAP, Exhaust Manifold Heater	3 602	SUB BODY, Headlamp	2 726
STRAP, Fuel Tank Mounting	3 022	SUNSHADE, Windshield Sunshade	17 203
STRAP, Headlamp	2 485	SUPPORT, A.C. Compressor Mounting	9 171
STRAP, Heater Core	8 854	SUPPORT, Accelerator Pedal Lever	3 454
STRAP, Luggage Carrier	12 815	SUPPORT, Body Rear End(Plastic Laminated)	12 986
STRAP, Plenum Air	9 789	SUPPORT, Brake Flange	5 001
STRAP, Radio Static Suppression	9 663	SUPPORT, Bumper	7 636
STRAP, Rear Axle Rebound	5 390	SUPPORT, Bumper Energy Absorber	7 840
STRAP, Rear Compartment Floor	12 981	SUPPORT, Catalytic Converter	3 690
STRAP, Roof Panel	12 810	SUPPORT, Concealed Headlamp Control Opening Cover	2 765
STRIKER, Door Lock	10 569	SUPPORT, Floor Console	10 240
STRIKER, Folding Top Roof Rail	14 090	SUPPORT, Front Body Hinge Pillar	12 840
STRIKER, Hood Latch	8 080	SUPPORT, Fuel Tank Evaporator Control(Engine End)	3 130
STRIKER, Instrument Panel Compartment Door	10 268	SUPPORT, Fuel Tank Stone Shield	3 015
STRIKER, Rear Compartment Lid Lock	12 237	SUPPORT, Generator Mounting	2 277
STRIKER, Rear Compartment Floor	12 981	SUPPORT, Hood Panel	8 015
STRIKER, Rear View Mirror	10 186	SUPPORT, Horn Button Blowing	2 819
STRIKER, Stop Lamp	2 447	SUPPORT, Inside Rear View Mirror	10 187
STRIP, Bumper Energy Absorber	7 840	SUPPORT, Instrument Panel Compartment Lamp	10 275
STRIP, Bumper Face	7 831	SUPPORT KIT, Concealed Headlamp Control Opening Cover	2 765
STRIPE, Bumper	7 832	SUPPORT, Parking Lamp	2 587
STRIPE, Front Door	12 112	SUPPORT, Power Brake Booster(Vacuum)	4 930
STRIPE, Front Fender and Body Ornamentation	8 132	SUPPORT, Radiator	1 270
STRIPE, Hood Panel Ornamentation	8 055	SUPPORT, Radiator Fan	1 277
STRIPE, Inside and Outside Rear View Panel	0 185	SUPPORT, Radiator Grille and Front End Panel	1 267
STRIPE, Rear Compartment Lid and Rear End Panel	12 182	SUPPORT, Radio Static Suppression	9 663
STRIPE, Rear Quarter Ornamentation	12 116	SUPPORT, Rear Axle Control Arm	5 380
STRIPE, Roof Panel	12 812	SUPPORT, Rear Axle Tie Rod	5 418
STRIP, Front Body Hinge Pillar	12 840	SUPPORT, Rear Body Lock Pillar	12 942
STRIP, Rear Body Lock Pillar	12 942	SUPPORT, Rear Compartment Floor	12 981
STRIP, Rear Compartment Floor	12 981	SUPPORT, Roof Panel	12 810
STRIP, Roof Panel	12 810	SUPPORT, Shroud and Dash and Vent Duct	12 804
STRIP, Windshield Glass	10 092	SUPPORT, Spare Wheel	7 629
STRUT, Clutch Release Lever	0 875	SUPPORT, Spark Plug Wire	2 251
		SUPPORT, Starter Motor Brush	2 052
		SUPPORT, Steering Column	6 516

ALPHABETICAL INDEX

SUPPORT, Steering Column Attaching	6 760	TEE, Auto Shock Absorber	7 447
SUPPORT, Sunshade	10 219	TEE, Concealed Headlamp Control Drive	2 760
SUPPORT, Transmission Housing	4 162	TEE, Crankcase	1 745
SUPPORT, Transmission Output Shaft or Carrier	4 175	TEE, Distributor Vacuum	2 420
SUPPORT, Transmission Control Lever	4 010	TEE, Fuel Line	3 163
SUPPORT, Transmission Control Valve	4 265	TEE, Fuel Tank Evaporator Control(Engine End)	3 130
SUPPORT, Turn Signal Switch	2 906	TEE, Intake Manifold Vacuum	3 278
SWITCH, A.C. Compressor (Internal Parts)(Axial)	9 172	TEE, Power Brake Booster(Vacuum)	4 931
SWITCH, A.C. Control Vacuum	9 280	TEE, Transmission Vacuum	4 205
SWITCH, A.C. Electric Control	9 275	TEE, Windshield Washer	10 155
SWITCH, Back Up Lamp	2 698	TERMINAL BLOCK, Distributor	2 383
SWITCH, Body Harness	13 095	TERMINAL, Chassis Electrical	2 530
SWITCH, Brake Pressure Regulator	4 590	TERMINAL, Concealed Headlamp Control Opening Cover	2 765
SWITCH, Concealed Headlamp Motor	2 755	TERMINAL, Heater Blower Motor	8 855
SWITCH, Coolant Temperature (Engine Unit)	1 150	TERMINAL KIT, Generator	2 313
SWITCH, Courtesy Lamp	11 950	THERMOSTAT, Automatic Choke Control	3 750
SWITCH, Distributor Vacuum	2 410	THERMOSTAT, Engine Coolant Temperature	1 246
SWITCH, Door Electric and Vacuum Locks	10 485	THERMOSTAT, Exhaust Manifold Heat Valve	3 640
SWITCH, Door Window	10 777	TIMER, Courtesy Lamp	11 935
SWITCH, Early Fuel Evaporation Control	3 140	TIMER, Instrument Cluster Warning	9 765
SWITCH, Emission Control System	3 670	TOOL, Wheel and Jack Wrench	8 821
SWITCH, Engine and Transmission Controlled Spark	2 408	TRANSCIEVER, Radio	9 650
SWITCH, Engine Air Cooling(Electrical)	1 055	TRANSDUCER, Cruise Control	3 885
SWITCH, Exhaust Manifold Heat Valve	3 640	TRANSISTOR, Distributor	2 383
SWITCH, Headlamp	2 485	TRANSISTOR, Voltage and Glow Plug	2 510
SWITCH, Headlamp Dimmer	2 455	TRANSMISSION, Automatic	4 003
SWITCH, Heater Control	8 852	TRANSMISSION, Manual (4 Speed)	4 003
SWITCH, Ignition Switch	2 188	TRANSMISSION, Seat Adjuster	11 556
SWITCH, Ignition Switch Warning, Lock or Headlamp	2 195	TRANSMISSION, Windshield Wiper	10 159
SWITCH, Instrument Panel Compartment Lamp	10 275	TRAY, Door, Quarter Arm Rest or Front Seat Back	12 045
SWITCH KIT, A.C. Compressor (Internal parts)(Radial)	9 172A	TRAY, Spare Wheel	7 629
SWITCH KIT, A.C. Compressor (Internal Parts)(Axial)	9 172	TRIM, Folding Top Cover	13 347
SWITCH KIT, Ignition Switch Warning, Lock or Headlamp	2 195	TRIM, Front Seat Back and Back of Back	14 800
SWITCH, Oil Pressure or Temperature	1 800	TRIM, Front Seat Cushion	14 880
SWITCH, Parking Brake Alarm	4 589	TRIM, Roof Trim Headlining	14 640
SWITCH, Radio Antenna	9 647	TUBE, A.C. Blower Motor Cooling	9 218
SWITCH, Rear View Mirror	10 186	TUBE, A.C. Compressor (Internal Parts)(Axial)	9 172
SWITCH, Rear Window Defogger	9 778	TUBE, A.C. Evaporator	9 211
SWITCH, Seat Adjuster	11 558	TUBE, A.C. Refrigerant (All Metal)	9 220
SWITCH, Side Marker and Hazard Flasher	2 575	TUBE, A.C. Refrigerant	9 195
SWITCH, Starter Motor	2 100	TUBE, Air Injection Reactor and Exhaust Gas Recirculation	3 680
SWITCH, Stop Lamp	2 447	TUBE, Choke Heater or Air	3 603
SWITCH, Transmission Smog Control	4 075	TUBE, Crankcase	1 745
SWITCH, Transmission Control Spark	4 075	TUBE, Crankcase Ventilation	1 762
SWITCH, Transmission Control	4 057	TUBE, Front Seat Adjuster	11 561
SWITCH, Transmission Safety Starting Switch	4 054	TUBE, Oil Level	1 516
SWITCH, Transmission Control Spark	4 075	TUBE, Power Brake Booster(Vacuum)	4 930
SWITCH, Transmission Safety Starting Switch	4 054	TUBE, Shock Absorber Air Lift	7 346
SWITCH, Transmission Converter	4 115	TUBE, Speedometer to Instrument Panel(Domestic)	9 761
SWITCH, Transmission Control Valve	4 265	TUBE, Steering Column	6 518
SWITCH, Transmission Control Safety	4 054	TUBE, Transmission Gearshift Control Shifter	4 025
SWITCH, Turn Signal Lamp	2 695	TUBE, Transmission Oil Filler	4 133
SWITCH, Windshield Wiper Motor	10 150	TUBE, Transmission Oil Filler	4 133
SWITCH, Windshield Wiper Control	10 163	TUBE, Transmission Shift Control	4 025
SWIVEL, Carburetor Throttle Control	3 425	TUMBLER, Door Lock Cylinder	10 553
SWIVEL, Clutch Fork Release	0 787	TUMBLER, Rear Compartment	12 249
SWIVEL, Transmission Control Rod To Lever	4 037		
SWIVEL, Transmission Throttle Valve Control	4 052	U	
SWIVEL, Transmission Safety Starting Switch	4 054	U BOLT, Exhaust System Attaching	3 708
SWIVEL, Transmission Control Rod	4 037	U BOLT KIT, Exhaust System Attaching	3 708
SWIVEL, Transmission Throttle Valve Control	4 052	U BOLT, Rear Spring and Shock Absorber Anchor Plate	7 516
SWIVEL, Transmission Safety Starting Switch	4 054	U BOLT, Universal Joint Bearing and Flange	5 586
SWIVEL, Transmission Throttle Valve Control	4 052	UNDERPAN, Flywheel	0 679
SWIVEL, Transmission Control Safety	4 054	UNIT, Rear Spring and Axle	7 529
SYNCHRONIZER, Transmission Synchronizing	4 380	UNIT, Steering Gear Repair	6 507
T			
TACHOMETER, Tachometer	9 750		
TANK, Concealed Headlamp Control Drive	2 760	V	
TANK, Engine Cooling	1 219	VALVE, A.C. Compressor (Internal Parts)(Axial)	9 172
TANK, Fuel	3 001	VALVE, A.C. Compressor Pressure Relief	9 178
TAPE, Back Window Glass	11 207	VALVE, A.C. Expansion Refrigerant	9 213
TAPE, Bumper	7 832	VALVE, Air Distributor	9 262
TAPE, Front Fender and Body Ornamentation	8 132		
TFE, A.C. Vacuum & Temperature	9 281		

ALPHABETICAL INDEX

VALVE, Air Distributor	9 786	WASHER, Door Window	10 728
VALVE, Air Duct	9 782	WASHER, Door Window	10 716
VALVE, Brake Pressure Regulator	4 690	WASHER, Door Window Regulator	10 792
VALVE, Carburetor Air Cleaner Controls	3 415	WASHER, Engine Clutch Lever & Shaft	0 851
VALVE, Carburetor Choke	3 751	WASHER, Engine Coolant Temperature (Dash Unit)	1 148
VALVE, Carburetor Idle Vapor Vent	3 852	WASHER, Engine Crankshaft Pulley and Balancer	0 662
VALVE, Concealed Headlamp Control Drive	2 760	WASHER, Engine Cylinder Head	0 293
VALVE, Crankcase	1 745	WASHER, Engine Oil Pump	1 652
VALVE, Cruise Control	3 885	WASHER, Exhaust Mounting	3 706
VALVE, Early Fuel Evaporation Control	3 140	WASHER, Exhaust Muffler	3 704
VALVE, Emission Control System	3 670	WASHER, Folding and Hard Top	14 080
VALVE, Engine and Transmission Controlled Spark	2 408	WASHER, Folding Top Side Rail Center	14 190
VALVE, Exhaust	0 297	WASHER, Folding Top Side Roof Rail	14 162
VALVE, Exhaust Manifold Heat	3 647	WASHER, Frame Front Cross Member	7 039
VALVE, EGR, Emission Control System	3 670	WASHER, Front Door Window Regulator	10 783
VALVE, Fuel Tank Evaporator Control(Engine End)	3 130	WASHER, Front Door Window	10 685
VALVE, Heater Temperature Control	8 850	WASHER, Front Fender	8 143
VALVE, Heater Water Temperature Control	9 795	WASHER, Fuel Injection Distributor	3 340
VALVE, Intake	0 296	WASHER, Fuel Pump Mounting	3 901
VALVE KIT, Carburetor Power	3 858	WASHER, Fuel Tank Mounting Strap	3 023
VALVE KIT, Emission Control System	3 670	WASHER, Generator	2 313
VALVE KIT, Transmission Control Valve	4 265	WASHER, Generator Brush	2 291
VALVE KIT, Transmission Main Valve	4 216	WASHER, Generator Drive End	2 307
VALVE KIT, Transmission Pressure Regulator and Oil Pump	4 216	WASHER, Generator Mounting	2 277
VALVE, Main Cylinder	4 657	WASHER, Generator Rotor Shaft	2 280
VALVE, Oil Filter	1 837	WASHER, Hydraulic Steering Cylinder Piston Rod	6 581
VALVE, Oil Pressure Regulator	1 609	WASHER, Hydraulic Steering Valve	6 554
VALVE, Power Brake Booster Check(Vacuum)	4 955	WASHER, Ignition Switch Warning, Lock or Headlamp	2 195
VALVE, Shock Absorber Air Lift	7 346	WASHER, Instrument Panel	2 515
VALVE, Steering Gear Hydraulic	6 550	WASHER, Instrument Panel Fuel Gage	3 108
VALVE, Steering Pump Control	6 624	WASHER KIT, A.C. Compressor	9 170
VALVE, Suction Throttling (P.O.A.)	9 198	WASHER KIT, Transmission Low Sun Gear 2-1 Clutch	4 162
VALVE, Tire Valve And Cover Lock	5 875	WASHER, Luggage Carrier	12 815
VALVE, Transmission Control Valve	4 265	WASHER, Master Cylinder Adjusting	4 662
VALVE, Transmission Converter	4 115	WASHER, Oil Pressure Gage	1 803
VALVE, Transmission Pressure Regulator and Oil Pump	4 216	WASHER, Parking Brake Lever	5 158
VALVE, Transmission Vacuum	4 205	WASHER, Propeller Shaft Pinion Flange	5 595
VALVE, Transmission Vacuum	4 205	WASHER, Quarter Window Sash	11 007
VALVE, Wheel Cylinder	4 666	WASHER, Radiator	1 263
VALVE, Windshield Washer Pump	10 153	WASHER, Radiator	1 270
VALVE, Windshield Wiper Control	10 163	WASHER, Rear Axle	5 387
VANE, Transmission Oil Pump	4 226	WASHER, Rear Axle	5 830
VENTILATOR, Crankcase	1 745	WASHER, Rear Axle Control Arm	5 38J
VENTILATOR, Door (Less Glass)	10 650	WASHER, Rear Axle Control Arm	5 383
VENTILATOR, Rear Axle	5 387	WASHER, Rear Axle Tie Rod	5 418
VENTILATOR, Transmission Case	4 104	WASHER, Roof Panel	12 810
VENTILATOR, Transmission Case	4 104	WASHER, Seat Back	11 361
VENTILATOR, Transmission Case	4 104	WASHER, Shock Absorber	7 347
VENT, Transmission Case	4 104	WASHER, Starter Motor Switch	2 102
		WASHER, Starter Motor Thrust	2 063
		WASHER, Steering Column	6 521
		WASHER, Steering Column Attaching	6 760
		WASHER, Steering Column Housing	6 500
		WASHER, Steering Gear Shaft	6 525
		WASHER, Steering Gear Hydraulic Valve	6 552
		WASHER, Steering Idler Lever	6 897
		WASHER, Steering Knuckle Upper Control Arm	6 178
		WASHER, Steering Knuckle Spindle	6 321
		WASHER, Steering Knuckle Lower Control Arm	6 172
		WASHER, Steering Pitman Arm	6 861
		WASHER, Steering Pump	6 655
		WASHER, Steering Pump Mounting	6 606
		WASHER, Tachometer	9 750
		WASHER, Transmission Servo & Accumulator	4 233
		WASHER, Transmission Clutch	4 169
		WASHER, Transmission Control Indicator	4 022
		WASHER, Transmission Main Drive Gear Bearing Retainer	4 376
		WASHER, Transmission Clutch	4 164
		WASHER, Transmission Reverse Gear Thrust	4 419
		WASHER, Transmission First And Reverse Gear Thrust	4 419
		WASHER, Transmission Input	4 158
		WASHER, Transmission Reverse Idler Gear Thrust	4 437
		WASHER, Transmission Control Lever	4 017
		WASHER, Transmission Oil Pump	4 226
		WASHER, Transmission Control Valve	4 265

W

WASHER, A.C. Compressor Drive	9 180
WASHER, Air Distributor	9 262
WASHER, Battery Filler	2 345
WASHER, Battery Hold Down	2 334
WASHER, Brake Hose	4 671
WASHER, Brake Master Cylinder Rod	4 659
WASHER, Brake Pedal	4 634
WASHER, Brake Shoe Adjusting	5 110
WASHER, Bumper to Body	7 833
WASHER, Bumper Energy Absorber	7 840
WASHER, Bumper Mounting	7 865
WASHER, Carburetor to Manifold	3 288
WASHER, Carburetor Throttle Valve and Throttle Lever Adjusting	3 761
WASHER, Clutch and Brake Pedal Shaft	0 837
WASHER, Clutch Fork Push Rod Adj	0 793
WASHER, Concealed Headlamp Control Opening	2 765
WASHER, Differential Pinion Thrust	5 542
WASHER, Differential Side Gear Thrust	5 543
WASHER, Distributor	2 364
WASHER, Distributor Shaft Thrust and Gear	2 379
WASHER, Door Lock	10 571
WASHER, Door Outside Handle	10 529
WASHER, Door Weatherstrip	10 694

ALPHABETICAL INDEX

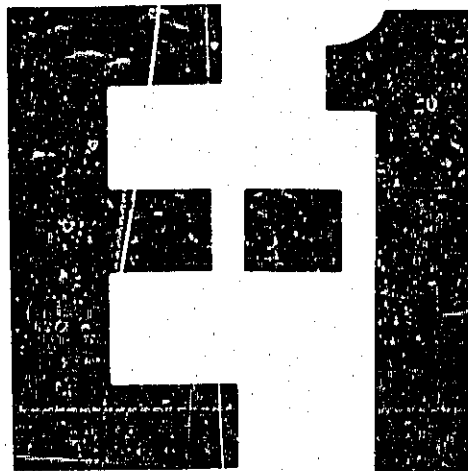
WASHER, Transmission Reverse Idler Gear Thrust	4 437		
WASHER, Transmission Shift Control Cable	4 047		
WASHER, Transmission Output Shaft or Carrier	4 175		
WASHER, Transmission Output Shaft or Carrier	4 176		
WASHER, Transmission Pressure Regulator and Oil Pump	4 216		
WASHER, Transmission Housing	4 162		
WASHER, Transmission Counter Gear	4 423		
WASHER, Transmission Rear Servo	4 241		
WASHER, Transmission Countergear Bearing	4 423		
WASHER, Transmission Control Lever	4 012		
WASHER, Transmission Gearshift Shaft	4 027		
WASHER, Transmission Shift Control Lever	4 027		
WASHER, Transmission Low Servo	4 228		
WASHER, Transmission Governor	4 256		
WASHER, Transmission Clutch	4 164		
WASHER, Transmission Clutch	4 169		
WASHER, Transmission Gearshift Lever Selector and Indicator	4 022		
WASHER, Transmission Planet Carrier	4 176		
WASHER, Transmission Control	4 012		
WASHER, Transmission Shift Control Shaft	4 027		
WASHER, Windshield Reveal Molding	10 093		
WASHER, Windshield Wiper Access	10 130		
WASHER, Windshield Wiper Motor Drive	10 151		
WASHER, Windshield Wiper Motor	10 150		
WEATHERSTRIP, Back Window Glass	11 207		
WEATHERSTRIP, Bottom of Top Front Roof Rail to Windshield	14 060		
WEATHERSTRIP, Cowl Ledge	12 801		
WEATHERSTRIP, Cowl Top Vent Louver	12 800		
WEATHERSTRIP, Door Ventilator	10 652		
WEATHERSTRIP, Door Weatherstrip	10 694		
WEATHERSTRIP, Folding Top Side Roof Rail-Front	14 120		
WEATHERSTRIP, Folding Top Side Rail Center	14 190		
WEATHERSTRIP, Folding Top Cover (On Side Belt Rail)	13 352		
WEATHERSTRIP, Folding Top Side Roof Rail Rear	14 260		
WEATHERSTRIP, Folding Top	14 340		
WEATHERSTRIP, Hardtop	13 346		
WEATHERSTRIP, Rear Compartment	12 269		
WEATHERSTRIP, Roof Panel	12 810		
WEATHERSTRIP, Windshield Glass	10 092		
WEDGE, Back Window Glass	11 207		
WEDGE, Steering Column	6 514		
WEIGHT, Distributor	2 388		
WEIGHT, Wheel Balance	5 805		
WHEEL, Front or Rear	5 803		
WHEEL, Steering	6 513		
WICK, Generator Oil	2 301		
WINDLACE, Carpet	15 294		
WINDOW, Folding Top Back	13 389		
WIRE, Back Up Lamp	2 697		
WIRE, Battery(Negative)	2 341		
WIRE, Body Wiring	13 090		
WIRE, Chassis Wiring	2 480		
WIRE, Door Window	10 777		
WIRE, Engine Air Cooling(Electrical)	1 055		
WIRE, Engine Wiring	2 525		
WIRE, Horn	2 815		
WIRE, Horn Lead	2 859		
WIRE KIT, Spark or Glow Plug	2 239		
WIRE, Outside Air	9 787		
WIRE, Parking Lamp	2 596		
WIRE, Radio and Speaker	9 656		
WIRE, Radio Antenna	9 647		
WIRE, Rear Window Defogger	9 778		
WIRE, Spark Plug	2 240		
WIRE, Transmission Converter	4 115		
WIRE, Transmission Safety Starting Switch	4 054		
WIRE, Transmission Smng Control	4 075		
WIRE, Transmission Throttle Valve	4 275		
WIRE, Windshield Wiper Motor	10 150		
WORM, Steering Column	6 524		
WRENCH, Wheel and Jack Wrench	8 821		
		Y	
		YOKE, Propeller Shaft Pinion	5 545
		YOKE, Rear Axle Universal Joint	5 425
		YOKE, Rear Wheel	5 806
		YOKE, Steering Column	6 524
		YOKE, Universal Joint	5 555
		Z	
		ZZCHART, A.C. Refrigerant Lines	9 222

MICROFICHE INDEX

GROUP 3.000

FICHE 2 OF 6

<u>GROUP DESCRIPTION</u>	<u>STARTING GRID LOCATION</u>	
	<u>PARTS</u>	<u>ILLUSTRATIONS</u>
- INTRODUCTION	A-6	I-2
- GENERAL INFORMATION	A-2	I-2
- ALPHABETICAL INDEX	C-11	N.A.
- INDEX FOR ADDITIONAL INFORMATION	A-5	N.A.
3.000 FUEL - EXHAUST - CARBURETION	E-2	I-6
- CARBURETOR CHARTS	F-20	N.A.
- OUT OF FICHE CALLS	N.A.	N-9



PARTS

3



FUEL — EXHAUST — CARBURETION

ALPHABETICAL INDEX

A			
ACTUATOR, Exhaust Manifold Heat Valve	3.640	CANISTER, Fuel Tank Evaporator Control (Engine End)	3.130
ADAPTER, Air Injection Reactor	3.675	CAP, Carburetor Float	3.734
ANTI SQUEAK, Accelerator Pedal	3.451	CAP, Fuel Tank Evaporator Control (Engine End)	3.130
		CAP, Fuel Tank Filler	3.028
		CAP, Intake Manifold Vacuum	3.278
		CARBURETOR, Carburetor	3.724
		CARBURETOR, Carter	3.725C
		CARBURETOR, Holly	3.725E
		CARBURETOR, Rochester	3.725
		CHAIN, Cruise Control	3.885
		CHOKE HOUSING KIT, Automatic Choke Control	3.750
		CLAMP, Air Injection Reactor and Exhaust Gas Recirculation	3.680
		CLAMP, Carburetor Throttle Control	3.425
		CLAMP, Exhaust Pipe	3.616
		CLAMP, Exhaust System Attaching	3.708
		CLAMP, Intake & Exhaust Manifold	3.273
		CLEANER, Carburetor	3.402
		CLIP, Air Injection Reactor and Exhaust Gas Recirculation	3.680
		CLIP, Carburetor and Fuel Meter Intake (with Seat and Gasket)	3.814
		CLIP, Carburetor and Fuel Injection Choke	3.752
		CLIP, Carburetor Throttle Control	3.425
		CLIP, Cruise Control	3.885
		CLIP, Early Fuel Evaporation Control	3.140
		CLIP, Early Fuel Evaporation	3.145
		CLIP, Emission Control System	3.671
		CLIP, Fuel Pipe	3.162
		CLIP, Fuel Tank Filler	3.003
		CLIP, Fuel Tank Meter	3.107
		COIL, Automatic Choke Control	3.750
		CONNECTOR, Air Injection Reactor and Exhaust Gas Recirculation	3.680
		CONNECTOR, Carburetor Vacuum	3.765
		CONNECTOR, Carburetor	3.755
		CONNECTOR, Early Fuel Evaporation	3.145
		CONNECTOR, Intake Manifold Vacuum	3.278
		CONTROL, Carburetor	3.755
		CONTROL, Carburetor Vacuum	3.765
		CONTROLLER, Emission Control System	3.670
		CONVERTER, Catalytic Converter	3.685
		COVER, Accelerator Pedal	3.451
		COVER, Air Cleaner Air Intake	3.417
		COVER, Automatic Choke Control	3.750
		COVER, Carburetor (with Leather and Shaft)	3.838
		COVER, Carburetor Air Cleaner	3.410
		COVER, Carburetor Idle Air Compensator	3.820
		COVER, Cruise Control	3.885
		COVER, Exhaust Manifold Heater	3.602
		COVER, Fuel Pump Mounting	3.901
		D	
		DIAPHRAGM, Carburetor Throttle	3.758
		DIAPHRAGM, Carburetor (with Leather and Shaft)	3.838
		DIFFUSER, Carburetor Air Cleaner	3.410
		DOOR, Carburetor Air Cleaner Controls	3.415
		DUCT, Air Cleaner Air Intake	3.417
B			
BAFFLE, Carburetor and Fuel Meter Fuel Inlet	3.740		
BAFFLE, Carburetor to Manifold	3.726		
BALL, Carburetor Pump Outlet Valve	3.825		
BAR, Carburetor Throttle	3.762		
BASE, Air Cleaner to Carburetor Mounting	3.406		
BEAD KIT, Catalytic Converter	3.685		
BEZEL, Exhaust Tail Pipe	3.703		
BLADDER, Fuel	3.001		
BODY, Carburetor	3.729		
BOLT, Air Injection Reactor Pump	3.655		
BOLT, Cruise Control	3.887		
BOLT, Emission Control System	3.671		
BOLT, Exhaust Manifold End Bolt	3.604		
BOLT, Exhaust Manifold Heater	3.602		
BOLT, Exhaust Pipe	3.613		
BOLT, Exhaust System Attaching	3.708		
BOLT, Fuel Tank Mounting Strap	3.023		
BOLT, Intake & Exhaust Manifold	3.275		
BOOT, Cruise Control	3.885		
BOWL, Carburetor Float	3.734		
BRACE, Air Injection Reactor Pump	3.655		
BRACKET, Accelerator Pedal Lever	3.454		
BRACKET, Air Cleaner Air Intake	3.417		
BRACKET, Air Injection Reactor Pump	3.655		
BRACKET, Air Injection Reactor	3.675		
BRACKET, Carburetor Throttle	3.444		
BRACKET, Carburetor Air Cleaner Controls	3.415		
BRACKET, Cruise Control	3.885		
BRACKET, Cruise Control	3.880		
BRACKET, Early Fuel Evaporation Control	3.140		
BRACKET, Emission Control System	3.671		
BRACKET, Engine Fuel	3.890		
BRACKET, Exhaust Manifold Heater	3.602		
BRACKET, Exhaust Mounting	3.706		
BRACKET, Exhaust Muffler	3.704		
BRACKET KIT, Exhaust Mounting	3.706		
BREATHER, Carburetor Air Cleaner	3.410		
BUSHING, Carburetor Throttle Control	3.425		
BUSHING, Exhaust Manifold Heat	3.647		
		C	
CABLE, Cruise Control	3.880		
CABLE, Fuel Injection Distributor	3.340		
CABLE, Throttle Control	3.430		
CALIBRATOR, Emission Control System	3.670		
CAM, Carburetor and Fuel Injection Fast Idle	3.766		
CAM, Carburetor Pump	3.842		
CAM, Fuel Tank Meter	3.107		

ALPHABETICAL INDEX

E	
ELBOW, Air Cleaner Air Intake	3 417
ELBOW, Air Injection Reactor and Exhaust Gas Recirculation	3 680
ELBOW, Fuel Injection	3 330
ELBOW, Fuel Line	3 163
ELEMENT, Carburetor Air Cleaner	3 410
ELEMENT, Engine Fuel	3 890
EXTENSION, Air Injection Reactor	3 675
EXTENSION, Exhaust	3 609
EXTENSION, Exhaust Tail Pipe	3 705

F	
FAN, Air Injector Reactor Pump	3 665
FILTER, Air Injection Reactor and Exhaust Gas Recirculation	3 680
FILTER, Carburetor and Fuel Meter Fuel Inlet	3 740
FILTER, Engine Fuel	3 890
FILTER, Fuel Tank Evaporator Control(Engine End)	3 130
FILTER, Fuel Tank Gage	3 110
FILTER KIT, Engine Fuel	3 890
FITTING, Air Injection Reactor and Exhaust Gas Recirculation	3 680
FITTING, Intake Manifold Vacuum	3 278
FLANGE, Air Cleaner to Carburetor Mounting	3 406
FLANGE, Exhaust Pipe	3 610
FLANGE, Exhaust Tail Pipe	3 705
FLOAT, Carburetor and Fuel Meter	3 745
FRAME, Carburetor Air Cleaner Controls	3 415

G	
GAGE, Fuel Tank Meter	3 107
GAGE, Instrument Panel Fuel Gage	3 108
GASKET, Air Injection Reactor and Exhaust Gas Recirculation	3 680
GASKET, Automatic Choke Control	3 750
GASKET, Carburetor and Fuel Meter Fuel Inlet	3 740
GASKET, Carburetor to Manifold	3 726
GASKET, Carburetor Air Cleaner and Silencer	3 403
GASKET, Carburetor Float Bowl to Cover (or Air Horn)	3 738
GASKET, Carburetor Idle Air Compensator	3 820
GASKET, Choke Heater or Air	3 603
GASKET, Emission Control System	3 671
GASKET, Engine Fuel	3 890
GASKET, Exhaust Manifold Heater	3 602
GASKET, Exhaust Pipe	3 611
GASKET, Fuel Gage to Tank	3 112
GASKET, Fuel Injection	3 308
GASKET, Fuel Injector Metering	3 332
GASKET, Fuel Meter Control	3 318
GASKET, Fuel Pump Mounting	3 904
GASKET, Fuel Tank Filler Neck	3 008
GASKET KIT, Carburetor	3 724
GASKET KIT, Manifold to Cylinder Head	3 270
GASKET, Manifold to Cylinder Head	3 270
GUARD, Engine Fuel Intake Manifold	3 265

H	
HANGER, Catalytic Converter	3 690
HANGER, Exhaust Mounting	3 706
HANGER, Exhaust Muffler	3 704
HANGER, Exhaust Pipe	3 616
HANGER KIT, Exhaust Mounting	3 706
HANGER KIT, Exhaust Muffler	3 704
HARNES, Cruise Control	3 887
HARNES HOSE-PIPE, Air Injection Reactor	3 675

HOLDER KIT, Carburetor Metering	3 806
HORN, Carburetor Air	3 730
HOSE, Air Injection Reactor	3 675
HOSE, Fuel Line	3 163
HOSE, Fuel Tank Filler	3 003

I	
INSERT, Carburetor Float	3 734
INSERT, Carburetor Metering	3 806
INSULATION, Carburetor to Manifold	3 726
INSULATOR, Carburetor to Manifold	3 726
INSULATOR, Exhaust Muffler	3 704
INSULATOR, Fuel Tank Mounting	3 022

J	
JET, Carburetor Metering Rod, with Gasket	3 792

L	
LABEL, Fuel Tank Filler	3 028
LEVER, Accelerator Pedal Lever	3 454
LEVER, Carburetor and Fuel Injection Choke	3 752
LEVER, Carburetor and Fuel Injection Fast Idle	3 766
LEVER, Carburetor Power	3 858
LEVER, Carburetor Pump	3 842
LEVER, Cruise Control	3 883
LIMITER, Carburetor and Fuel Injection Idle Adjusting Screw	3 823
LINK, Carburetor	3 755
LINK, Cruise Control	3 885
LOCK, Air Injection Reactor and Exhaust Gas Recirculation	3 680
LOCK, Air Injection Reactor	3 675
LOCK, Emission Control System	3 671
LOCK, Exhaust Manifold End Bolt	3 604
LOCK, Exhaust System Attaching	3 708

M	
MANIFOLD, Engine Exhaust Manifold	3 601
MANIFOLD, Engine Fuel Intake Manifold	3 265
METER, Fuel Tank Meter	3 107
MODULE, Emission Control System	3 670
MOLDING, Exhaust Manifold Heater	3 602
MOTOR, Carburetor Air Cleaner Controls	3 415

N	
NECK, Fuel Tank Filler	3 003
NEEDLE, Carburetor and Fuel Injection Idle Adjusting	3 822
NEEDLE KIT, Carburetor and Fuel Meter Intake (with Seat and Gasket)	3 814
NIPPLE, Fuel Tank Filler	3 003
NOZZLE, Carburetor	3 774
NOZZLE, Fuel Injector Metering	3 332
NUT, Air Injection Reactor Pump	3 655
NUT, Carburetor and Fuel Meter Intake (with Seat and Gasket)	3 814
NUT, Carburetor and Fuel Meter Fuel Inlet	3 740
NUT, Carburetor Air Cleaner and Silencer	3 403
NUT, Emission Control System	3 671
NUT, Exhaust Muffler	3 704
NUT, Exhaust Pipe	3 613
NUT, Exhaust Pipe	3 616

ALPHABETICAL INDEX

P

PACKING, Exhaust Pipe	3 611
PEDAL, Accelerator Pedal	3 451
FILTER, Engine Fuel	3 890
PIN, Accelerator Pedal Mounting	3 452
PIN, Carburetor and Fuel Meter Float Lever	3 747
PIN, Fuel Injection Distributor	3 340
PIPE, Air Cleaner Air Intake	3 417
PIPE, Air Injection Reactor	3 675
PIPE, Automatic Choke Control	3 750
PIPE, Carburetor and Fuel Meter Fuel Inlet	3 740
PIPE, Choke Heater or Air	3 603
PIPE, Early Fuel Evaporation	3 145
PIPE, Exhaust Manifold Heat	3 647
PIPE, Fuel Line	3 163
PISTON, Carburetor Power	3 858
PLATE, Accelerator Pedal	3 451
PLATE, Air Cleaner Air Intake	3 417
PLATE, Automatic Choke Control	3 750
PLATE, Fuel Pump Mounting	3 901
PLUG, Air Injection Reactor and Exhaust Gas Recirculation	3 680
PLUG, Carburetor Air Valve	3 757
PLUG, Catalytic Converter	3 685
PLUG, Engine Fuel Intake Manifold	3 265
POUCH, Catalytic Converter	3 685
PULLEY, Air Injection Reactor Pump	3 650
PUMP, Air Injection Reactor Pump	3 66C
PUMP, Carburetor (with Leather and Shaft)	3 838
PUMP, Engine Fuel Pump	3 900
PURGE VALVE, Fuel Tank Evaporator Control(Engine End)	3 130

R

RELAY, Automatic Choke Control	3 750
RELAY, Carburetor Air Cleaner Controls	3 415
RELAY, Carburetor Idle	3 440
RELAY, Emission Control System	3 670
RELAY, Engine Fuel Pump	3 900
REPAIR KIT, carburetor (rochester)MAJOR	3 725A
REPAIR KIT, Carburetor (Rochester) Minor	3 725B
REPAIR KIT, Carburetor (Holly) Minor	3 725G
REPAIR KIT, Carburetor (holly) major	3 725F
REPAIR KIT, Catalytic Converter	3 685
RESTRICTOR, Fuel Line	3 163
RETAINER, Accelerator Pedal Lever	3 454
RETAINER, Automatic Choke Control	3 750
RETAINER, Carburetor Air Cleaner	3 410
RETAINER, Carburetor Air Cleaner Controls	3 415
RETAINER, Carburetor Throttle Control	3 425
RETAINER, Carburetor Pump	3 841
RETAINER, Carburetor and Fuel Injection Choke	3 752
RETAINER, Carburetor Pump Outlet Valve	3 825
RETAINER, Cruise Control	3 885
RETAINER, Exhaust Muffler	3 704
RETAINER, Exhaust Pipe	3 616
RETAINER, Fuel Pipe	3 162
RETAINER, Fuel Tank Evaporator Control(Engine End)	3 130
RING, Carburetor and Fuel Meter Fuel Inlet	3 740
RING, Exhaust Pipe	3 611
ROD, Accelerator Pedal	3 431
ROD, Carburetor	3 755
ROD, Carburetor and Fuel Injection Choke	3 752
ROD, Carburetor Air Cleaner Controls	3 415
ROD, Carburetor Metering	3 806
ROD, Carburetor Pump Connector	3 843
ROD, Carburetor Throttle	3 762
ROD, Cruise Control	3 835
ROD, Fuel Pump	3 935
ROD, Throttle Control	3 430

S

SCREEN, Carburetor and Fuel Meter Fuel Inlet	3 740
--	-------

SCREW, Carburetor Air Cleaner	3 410
SCREW, Automatic Choke Control	3 750
SCREW, Carburetor	3 755
SCREW, Carburetor (with Leather and Shaft)	3 838
SCREW, Carburetor and Fuel Injection Fast Idle Cam	3 767
SCREW, Carburetor and Fuel Injection Choke	3 752
SCREW, Carburetor and Fuel Injection Fast Idle	3 766
SCREW, Carburetor and Fuel Injection Idle Adjusting	3 822
SCREW, Carburetor and Fuel Meter Intake (with Seat and Gasket)	3 814
SCREW, Carburetor and Fuel Meter Fuel Inlet	3 740
SCREW, Carburetor Air	3 730
SCREW, Carburetor Body	3 741
SCREW, Carburetor Choke	3 751
SCREW, Carburetor Pump	3 841
SCREW, Carburetor Throttle Valve and Throttle Lever Adjusting	3 761
SCREW, Emission Control System	3 671
SCREW, Fuel or Air Meter	3 314
SCREW, Fuel Gage to Tank	3 112
SCREW, Fuel Meter	3 322
SCREW, Fuel Pump Mounting	3 901
SCREW, Fuel Tank Evaporator Control(Engine End)	3 130
SCREW, Fuel Tank Filler	3 028
SCREW, Fuel Tank Filler	3 003
SEAL, Accelerator Cable	3 469
SEAL, Air Cleaner to Carburetor Mounting	3 406
SEAL, Air Cleaner Air Intake	3 417
SEALANT, Manifold to Cylinder Head	3 270
SEAL, Carburetor and Fuel Injection Choke	3 752
SEAL, Fuel Meter	3 322
SEAL, Fuel Tank Filler Neck	3 008
SEAT, Intake Manifold Vacuum	3 278
SENSOR, Carburetor Air Cleaner Controls	3 415
SENSOR, Emission Control Sensors	3 682
SEPARATOR, Evaporation Emission System(Fuel Tank End)	3 120
SERVO, Cruise Control	3 885
SHAFT, Carburetor and Fuel Injection Choke	3 752
SHAFT, Fuel Injection Distributor	3 340
SHIELD, Catalytic Converter	3 690
SHIELD, Engine Fuel Intake Manifold	3 265
SHIELD, Exhaust Manifold Heater	3 602
SHIELD, Exhaust Tail Pipe	3 705
SHIELD, Fuel Line	3 163
SLEEVE, Air Injection Reactor Pump	3 655
SLEEVE, Carburetor Throttle Control	3 425
SLEEVE, Emission Control System	3 671
SLEEVE, Intake & Exhaust Manifold	3 273
SOLENOID, Carburetor Air Cleaner Controls	3 415
SOLENOID, Carburetor Idle	3 440
SOLENOID, Early Fuel Evaporation Control	3 140
SOLENOID, Emission Control System	3 670
SPACER, Air Injection Reactor and Exhaust Gas Recirculation	3 680
SPACER, Air Injection Reactor Pump	3 650
SPACER, Air Injection Reactor Pump	3 655
SPACER, Early Fuel Evaporation	3 145
SPACER, Exhaust	3 609
SPACER, Fuel Line	3 163
SPRING, Accelerator Return Spring	3 459
SPRING, Carburetor (with Leather and Shaft)	3 838
SPRING, Carburetor and Fuel Injection Idle Adjusting Screw	3 823
SPRING, Carburetor and Fuel Injection Fast Idle	3 766
SPRING, Carburetor and Fuel Meter Fuel Inlet	3 740
SPRING, Carburetor Air Valve	3 757
SPRING, Carburetor Diaphragm Return	3 763
SPRING, Carburetor Metering Rod	3 810
SPRING, Carburetor Power Piston	3 859
SPRING, Carburetor Pump	3 841
SPRING, Carburetor Throttle Valve and Throttle Lever Adjusting	3 761
SPRING CLIP, Cruise Control	3 885
SPRING, Fuel Tank Evaporator Control(Engine End)	3 130
SPRING, Heat Valve Actuator	3 641
STOVE, Air Cleaner Air Intake	3 417
STRAINER, Fuel Tank Gage	3 110
STRAP, Exhaust Manifold Heater	3 602
STRAF, Fuel Tank Mounting	3 022

ALPHABETICAL INDEX

STUD, Accelerator Pedal Mounting	3.452
STUD, Accelerator Return Spring	3.459
STUD, Air Cleaner Air Intake	3.417
STUD, Carburetor to Manifold	3.288
STUD, Carburetor to Manifold	3.726
STUD, Carburetor Air Cleaner and Silencer	3.403
STUD, Carburetor Throttle Control	3.425
STUD, Cruise Control	3.880
STUD, Emission Control System	3.671
STUD, Engine Fuel Intake Manifold	3.265
STUD, Exhaust Pipe	3.613
STUD, Fuel Pump Mounting	3.901
STUD, Intake & Exhaust Manifold	3.275
STUD, Intake Manifold Vacuum	3.278
STUD, Throttle Control Lever	3.463
SUPPORT, Accelerator Pedal Lever	3.454
SUPPORT, Catalytic Converter	3.690
SUPPORT, Fuel Tank Evaporator Control(Engine End)	3.130
SUPPORT, Fuel Tank Stone Shield	3.015
SWITCH, Early Fuel Evaporation Control	3.140
SWITCH, Emission Control System	3.670
SWITCH, Exhaust Manifold Heat Valve	3.640
SWIVEL, Carburetor Throttle Control	3.425

T

TANK, Fuel	3.001
TEE, Fuel Line	3.163
TEE, Fuel Tank Evaporator Control(Engine End) ..	3.130
TEE, Intake Manifold Vacuum	3.278
THERMOSTAT, Automatic Choke Control	3.750
THERMOSTAT, Exhaust Manifold Heat Valve	3.640
TRANSDUCER, Cruise Control	3.885
TUBE, Air Injection Reactor and Exhaust Gas Recirculation	3.680
TUBE, Choke Heater or Air	3.603

U

U BOLT, Exhaust System Attaching	3.708
U BOLT KIT, Exhaust System Attaching	3.708

V

VALVE, Carburetor Air Cleaner Controls	3.415
VALVE, Carburetor Choke	3.751
VALVE, Carburetor Idle Vapor Vent	3.852
VALVE, Cruise Control	3.885
VALVE, Early Fuel Evaporation Control	3.140
VALVE, Emission Control System	3.670
VALVE, Exhaust Manifold Heat	3.647
VALVE EGR, Emission Control System	3.670
VALVE, Fuel Tank Evaporator Control(Engine End)	3.130
VALVE KIT, Carburetor Power	3.858
VALVE KIT, Emission Control System	3.670

W

WASHER, Carburetor to Manifold	3.288
WASHER, Carburetor Throttle Valve and Throttle Lever Adjusting	3.761
WASHER, Exhaust Mounting	3.706
WASHER, Exhaust Muffler	3.704
WASHER, Fuel Injection Distributor	3.340
WASHER, Fuel Pump Mounting	3.901
WASHER, Fuel Tank Mounting Strap	3.023
WASHER, Instrument Panel Fuel Gage	3.108

FUEL-EXHAUST-CARBURETION

3.001 BLADDER-TANK , Fuel

NOTE 1: USE WITH GAS CAP 3994339.

NOTE 2: BLADDER MOLDED INTO TANK.

75-77 Y	348378	1	531.00	BLADDER
63-67 Y	3967746	1	111.00	TANK (20 GAL) (NOTE 1)
68-69 Y (327, 350, 427) W/4BC (EXC. H.D., SP.H/PER.)	3967741	1	111.00	TANK (20 GAL) (NOTE 1)
68-69 Y (427) W/H.D.	3967746	1	111.00	TANK (20 GAL) (NOTE 1)
68-69 Y W/3/2BC	3967746	1	111.00	TANK (20 GAL) (NOTE 1)
69 Y (350) W/SP. H/PER.	3967746	1	111.00	TANK (20 GAL) (NOTE 1)
70 Y (350, 454) W/SP. H/PER. (EXC. E.E.C.)	3967746	1	111.00	TANK (20 GAL) (NOTE 1)
70-72 Y (350, 454) W/E.E.C. (EXC. SP. H/PER., H.D.)	3967749	1	117.00	TANK (18 GAL)
70 Y (350, 454) (EXC. E.E.C., H.D., SP. H/PER.)	3967741	1	111.00	TANK (20 GAL) (NOTE 1)
73-74 Y	3967749	1	117.00	TANK (18 GAL)
75-77 Y	348368	1	71.00	TANK (18 GAL)
78-82 Y	457999	1	236.00	TANK (25 GAL) (NOTE 2)

3.003 CLIP-HOSE-NECK-NIPPLE-SCREW, Fuel Tank Filler

78-82 Y	3943626	1	.44	CLIP, NECK DRAIN HOSE (2.559)
63-74 Y (EXC. 36 GAL. TANK)	3986028	1	.51	HOSE, NECK DRAIN (7/16)
70-71 Y W/E.E.C.	6262261	1	8.50	NECK
72-74 Y	6262261	1	8.50	NECK
65-67 Y (EXC. 36 GAL. TANK)	3849610	1	.35	NIPPLE, NECK DRAIN HOSE
68-82 Y	3849610	1	.35	NIPPLE, NECK DRAIN HOSE
78-82 Y	473076	8	.43	SCREW, FILLER NECK AND MT PLT

3.008 GASKET-SEAL, Fuel Tank Filler Neck

63-74 Y (EXC. 36 GAL. TANK)	3826417	1	.35	GASKET
78-82 Y	457997	1	2.60	GASKET
63-67 Y (EXC. 36 GAL. TANK)	3849612	1	8.65	SEAL
68-74 Y	3923649	1	7.50	SEAL
75-77 Y	351589	1	7.05	SEAL
78-82 Y	459068	1	5.45	SEAL

3.015 SUPPORT, Fuel Tank Stone Shield

68-73 Y	3937806	1	19.35	SUPPORT
78-82 Y	14011298	1	12.55	SUPPORT

3.022 INSULATOR-STRAP, Fuel Tank Mounting

NOTE 1: IT IS NECESSARY TO TRIM 9 3/4 FROM HOOK END AND REWORK.

79-82 Y	14016156	1	17.10	INSULATOR, FUEL TANK
63-67 Y W/36 GAL. TANK	3828315	2	9.60	STRAP (44 53/64" DEV. LENGTH) (NOTE 1)
68-74 Y	3994332	2	6.40	STRAP
75-77 Y	348039	2	6.40	STRAP
78-82 Y	457993	1	6.40	STRAP

3.023 BOLT-WASHER, Fuel Tank Mounting Strap

68-77 Y	3921688	2	.54	BOLT (3/8"-16 X 1 3/4" 280M STEEL)
77-79 Y	555992	AR	.84	BOLT (M8 X 1.25 X 75 9.8 PHOS STL)
74 Y W/L54, C60	3916493	1	.37	WASHER, FUEL TANK STRAP(5.418)

3.028 CAP-LABEL-SCREW , Fuel Tank Filler

53-62 Y (EXC. 24 GAL. TANK)	3814436	1	3.40	CAP, VENTED
62 Y W/24 GAL. TANK	3914958	1	N.L.	CAP, VENTED
63-69 Y	3952708	1	6.65	CAP, VENTED
70-74 Y	3994339	1	6.65	CAP, NON VENTED
71-74 Y	3994340	1	19.20	CAP, LOCKING
75-77 Y	22510716	1	6.40	CAP, W/EARS (HIGHER RELIEF PRESS)
78 Y	559346	1	5.10	CAP
79-81 Y	22503147	1	5.53	CAP, W/O EARS (HIGHER RELIEF PRESS)
75-81 Y	355449	1	.91	LABEL (UNLEADED FUEL ONLY) (STRAIGHT)
75-77 Y	473076	AR	.43	SCREW (1/4"-28 X 3/4")

3.107 CAM -CLIP-GAGE-METER, Fuel Tank Meter

63-75 Y (EXC. 36 GAL. TANK)	3774937	1	.56	CAM (2 5/8 DIA.)
75 Y	413899	1	1.20	CAM
70-72 Y	3927327	1	.44	CLIP, MTR WIRING (2.559)
56-62 Y (EXC. 24 GAL. TANK)	5642125	1	30.90	GAGE
63-67 Y (EXC. 36 GAL. TANK)	6428065	1	58.60	METER, W/GSKT
65-67 Y (EXC. 37 1/2 GAL. TANK)	6428065	1	58.60	METER, W/GSKT
68-74 Y	6428164	1	31.60	METER, W/GSKT

FUEL-EXHAUST-CARBURETION

3.107 CAM -CLIP-GAGE-METER, Fuel Tank Meter (Con't)					
75-76	Y	25000078	1	117.00	METER
77	Y	25000316	1	126.95	METER, W/PLT, FIL NECK
78-81	Y	25001013	1	88.80	METER, W/PLT, FIL NECK
82	Y	25003153	1	153.95	METER (TANK UNIT)
3.108 GAGE-WASHER, Instrument Panel Fuel Gage					
64	Y	5644966	1	49.30	GAGE
65-67	Y	6430263	1	20.10	GAGE
68-74	Y	6431617	1	19.05	GAGE
75-76	Y	6432035	1	17.95	GAGE
77	Y	6432309	1	16.25	GAGE
78-82	Y	6432523	1	17.35	GAGE, W/RES
82	Y	6455751	AR	20	WASHER, GAGE MT
3.110 FILTER -STRAINER, Fuel Tank Gage					
<i>NOTE 1: STRAINER TO FIT TO O.D. OF METER HOSE.</i>					
75	Y	5651723	1	3.40	FILTER (IN TANK)
76	Y (EXC K72)	5651702	1	1.97	FILTER (IN TANK)
76	Y W/K72	5651723	1	3.40	FILTER (IN TANK)
77-81	Y	5651702	1	1.97	FILTER (IN TANK)
82	Y	25055033	1	7.70	FILTER (IN TANK)
60-64	Y	3751491	1	2.20	STRAINER, TANK PIPE (2 3/4 LG.) (3/4 I.D.) (NOTE 1)
3.112 GASKET -SCREW, Fuel Gage to Tank					
53-62	Y	1516395	1	.59	GASKET (RUBBER)
63-74	Y (EXC. 36 GAL. TANK)	3825206	1	.57	GASKET
63-67	Y W/36 GAL. TANK	1516395	1	.59	GASKET (RUBBER)
75-80	Y	3893116	1	.65	GASKET, FUEL METER(TANK UNIT)
60-79	Y	3767804	5	.35	SCREW, W/SEAL (10-32 X 1/2)
3.120 SEPARATOR, Evaporation Emission System(Fuel Tank End)					
70-74	Y	7028035	1	18.55	SEPARATOR, FUEL VAPOR
3.130 CANISTER-CAP-FILTER-PURGE VALVE-RETAINER-SCREW- SPRING-SUPPORT-TEE-VALVE, Fuel Tank Evaporator Control(Engine End)					
<i>NOTE 1: 1ST DESIGN SUPPORT FOR VAPOR CANISTER ARE FRAME MOUNTED.</i>					
<i>NOTE 2: 2ND DESIGN RETAINER FOR VAPOR CANISTER ARE BODY MOUNTED.</i>					
70	Y (EXC. SP. H/PER. 350, H.D. 454)	17056582	1	45.70	CANISTER, FUEL VAPOR
71-73	Y	17056582	1	45.70	CANISTER, FUEL VAPOR
74-77	Y	17065031	1	43.10	CANISTER, FUEL VAPOR
78-79	Y (EXC. ALT)	17060868	1	51.05	CANISTER, FUEL VAPOR
78-79	Y W/ALT	17056466	1	51.05	CANISTER, FUEL VAPOR
80	Y (350) (4 BBL)	17063010	1	59.20	CANISTER, FUEL VAPOR
80	Y (350) W/SP. H/PER.	17061006	1	73.45	CANISTER, FUEL VAPOR
80	Y W/CALIF	17061005	1	71.90	CANISTER, FUEL VAPOR
81	Y (350)	17061005	1	71.90	CANISTER, FUEL VAPOR
82	Y	17075825	1	43.15	CANISTER, FUEL VAPOR
70-80	Y	7028046	1	4.41	CAP, FUEL VAPOR CANISTER DRAIN
82	Y	7028046	1	4.41	CAP, FUEL VAPOR CANISTER DRAIN
69-81	Y	7021739	1	3.92	FILTER, W/DRAIN CAP, FUEL VAPOR CANISTER
70-74	Y	7026014	1	N.L.	FILTER, FUEL VENT AND VAPOR CANISTER AIR INLET
70	Y	7041344	1	4.17	PURGE VALVE, REPAIR UNIT FUEL VAPOR
80	Y (350) (4 BBL) (2ND DESIGN)	14016199	1	2.85	RETAINER, FUEL VAPOR CANISTER (NOTE 2)
80	Y (305, 350 W/SP.H/PER.) (2ND DESIGN)	14016197	1	1.45	RETAINER, FUEL VAPOR CANISTER (NOTE 2)
81	Y W/CALIF	14016197	1	1.45	RETAINER, FUEL VAPOR CANISTER
82	Y	14016199	1	2.85	RETAINER, FUEL VAPOR CANISTER
72	Y	3960314	1	.33	SCREW, FUEL VAPOR CANISTER BRKT (1.276)
70	Y	7023987	1	1.18	SPRING, PURGE VLV
70-77	Y	3973069	1	7.50	SUPPORT, FUEL VENT CANISTER
78-79	Y	473077	1	7.50	SUPPORT, FUEL VAPOR CANISTER
80	Y (350H, 350) (2ND DESIGN)	14016196	1	1.45	SUPPORT, FUEL VAPOR CANISTER (NOTE 2)
80	Y W/CALIF (1ST DESIGN)	14011268	1	10.15	SUPPORT, FUEL VAPOR CANISTER (NOTE 1)

FUEL-EXHAUST-CARBURETION

**3.130 CANISTER-CAP-FILTER-PURGE VALVE-RETAINER-SCREW-
SPRING-SUPPORT-TEE-VALVE, Fuel Tank Evaporator Control(Engine
End) (Con't)**

80	Y W/FED (NA5)	14016198	1	3.55	SUPPORT, FUEL VAPOR CANISTER (NOTE 2)
80	Y W/FED (1ST DESIGN)	14011267	1	9.75	SUPPORT, FUEL VAPOR CANISTER (NOTE 1)
81	Y	14016196	1	1.45	SUPPORT, FUEL VAPOR CANISTER
82	Y	14016198	1	3.55	SUPPORT, FUEL VAPOR CANISTER
75-77	Y	4568633	1	2.60	TEE, VAPOR PIPE HOSE (9.281)
78-80	Y (350L) W/ALT	17060514	1	13.50	VALVE, VAPOR PRESS CONT

**3.140 BRACKET-CLIP-SOLENOID-SWITCH-VALVE, Early Fuel Evaporation
Control**

82	Y W/CLSD LOOP	14043227	1	.50	BRACKET, FUEL VAPOR CANISTER PURGE SOL
75-81	Y	1247603	AR	.44	CLIP, EFE VAC PIPE TO INR FRT LT RKR
82	Y W/CLSD LOOP	1997599	1	14.50	SOLENOID, FUEL VAPOR CANISTER PURGE
79	Y	3041857	1	11.50	SWITCH
80-81	Y (305, 350)	3043015	1	13.45	SWITCH
78-80	Y	497853	1	2.90	VALVE, VAC CHECK
80-81	Y	5233666	1	78.50	VALVE, W/ACTUATOR

3.145 CLIP-CONNECTOR-PIPE-SPACER, Early Fuel Evaporation

78-81	Y	14015513	AR	.71	CLIP, HOSE-Z-1 1/8 OD W/VINYL STL ZC
81	Y	14017738	1	1.95	CONNECTOR, EXH EMIS CONT HOSE
80	Y	14017789	1	5.45	PIPE, EFE VAC
75-79	Y	357056	1	5.25	SPACER, NO. 5 R.H. HOLE
75-79	Y	357056	1	5.25	SPACER, NO. 4 R.H. HOLE

3.162 CLIP-RETAINER, Fuel Pipe

68-69	Y (EXC. 3/2BC, H.D. 427)	340392	AR	.35	CLIP, FUEL FEED AND RTN PIPE, FUEL VAPOR PIPE
78-79	Y	558475	AR	.30	CLIP (3 DIA. CLOSED LOOP 1.68 TOT LEN STL)
80-82	Y	2399078	1	.40	CLIP, FUEL VPR PIPE(CLSD TYPE)(4.866)
78-81	Y	458949	1	.71	RETAINER, FUEL FEED & RTN PIPE HOSE
82	Y	14033712	1	.62	RETAINER, FUEL HOSE

3.163 ELBOW-HOSE-PIPE-RESTRICTOR-SHIELD-SPACER-TEE, Fuel Line

66-69	Y	538570	1	2.45	ELBOW, GAS FEED (1/4"-18 THDS. 3/8" I. D.)
70-73	Y (454)	3954219	1	2.75	ELBOW, OIL PRESS (1.803)
56-57	Y	3735951	1	8.90	HOSE, FUEL PUMP END (3/8)
58-62	Y (EXC. F.I.)	3735951	1	8.90	HOSE, FUEL PUMP END (3/8)
80-81	Y	14044508	1	2.20	HOSE, FUEL FRT
82	Y	14033710	1	5.95	HOSE, FUEL FEED FRT
82	Y	14033711	1	5.95	HOSE, FUEL RTN FRT
64-65	Y W/SP. H/PER., F.I.	3854796	1	7.30	PIPE, FUEL PUMP TO FUEL FILTER (CHROME)
66	Y (327) W/SP. H/PER.	3854796	1	7.30	PIPE, FUEL PUMP TO FUEL FILTER (CHROME)
66-68	Y (327) W/SP. H/PER.	3882837	1	8.00	PIPE, CARB GAS (CHROME)
71-77	Y	3992372	1	.35	RESTRICTOR, FUEL VAPOR PIPE TO CANISTER HOSE
75-77	Y	3991301	1	.50	RESTRICTOR, FUEL VENT PIPE HOSE
55-80	Y	3886933	1	6.65	SHIELD, PIPE (1 1/4 O.D. X 64 1/2)
78-82	Y	459039	1	.50	SPACER, FUEL FEED & RTN PIPE
65-68	Y (427)	4568633	1	2.60	TEE, FUEL FILTER PIPE TO CARB GAS PIPE (9.281)
69-70	Y (350) W/SP. H/PER.	4568633	1	2.60	TEE, FUEL FILTER PIPE TO CARB GAS PIPE (9.281)
69	Y (427) W/H.D	545294	1	8.95	TEE, CARB FUEL PIPE
72-73	Y (350) W/SP. H/PER.	545294	1	8.95	TEE, CARB FUEL PIPE
75-76	Y	4568633	1	2.60	TEE, FUEL VAPOR PIPE HOSE (9.281)

3.265 GUARD-MANIFOLD-PLUG-SHIELD-STUD, Engine Fuel Intake Manifold

NOTE: EXHAUST MANIFOLD IN GROUP 3.601.

NOTE 1: IT MAY BE NECESSARY TO PLUG WATER BY-PASS HOLE IN FRONT OF MANIFOLD WITH A 1/2" X 14 PIPE PLUG. ALSO, THIS PART HAS A CARB. PAD WITH PORTS AND STUD PATTERN FOR HOLLEY CARB., WHEN USED IN VEHICLES PRIOR TO 1964 THE CARTER AFB CARB. CAN BE INSTALLED BY DRILLING AN EXTRA HOLE IN THE OPPOSITE CORNERS OF THE CARB. THROTTLE BODY FLANGE TO MATCH THE STUD HOLES IN MANIFOLD CARB. PAD. USE CARB. GASKET 3849825.

FUEL-EXHAUST-CARBURETION

3.265 GUARD-MANIFOLD-PLUG-SHIELD-STUD, Engine Fuel Intake Manifold (Con't)

NOTE 2: IT MAY BE NECESSARY TO PLUG WATER TEMPERATURE SWITCH HOLE WITH A 1/2" - 14 PIPE PLUG.

62-65	Y (327) W/H/PER.	3946830	1	2.95	GUARD, MANIF OIL SPLASH
66-68	Y (327) (EXC. SP. H/PER.)	3946830	1	2.95	GUARD, MANIF OIL SPLASH
69-72	Y (350) (EXC. SP. H/PER.)	3946830	1	2.95	GUARD, MANIF OIL SPLASH
73-81	Y (305, 350)	6271071	1	3.40	GUARD, MANIF OIL SPLASH
73-74	Y (454)	346243	1	5.55	GUARD, MANIF OIL SPLASH
82	Y	14037628	1	3.40	GUARD, MANIF OIL SPLASH
62-65	Y W/SP. H/PER.	3852570	1	266.00	MANIFOLD (NOTE 1)
65-69	Y (396, 427) W/SP. H/PER., ALUM CASE	3933163	1	360.00	MANIFOLD (CLOSED PLENUM, HOLLY CARB)
66-67	Y (327) W/SP. H/PER.	3893594	1	355.00	MANIFOLD
68	Y (327)	3931575	1	120.00	MANIFOLD (ROCHESTER) (NOTE 2)
69-70	Y (350) W/SP. H/PER.	3972114	1	336.00	MANIFOLD
69	Y (350) W/4BC (EXC. SP. H/PER.)	3987361	1	127.00	MANIFOLD
70	Y (350) (EXC. SP. H/PER.)	3987361	1	127.00	MANIFOLD
71-72	Y (350) (EXC. SP. H/PER.)	343765	1	170.00	MANIFOLD
73-74	Y (350)	340260	1	130.00	MANIFOLD
73-74	Y (454)	336788	1	199.00	MANIFOLD
75-78	Y (350)	14037617	1	142.00	MANIFOLD (CAST IRON)
78-79	Y W/SP. H/PER.	14007377	1	254.00	MANIFOLD (ALUM)
79	Y (350) (EXC. SP. H/PER.)	14057062	1	142.00	MANIFOLD (CAST IRON)
80	Y (305, 350)	14057054	1	151.00	MANIFOLD,
81	Y (350)	14033057	1	136.00	MANIFOLD
82	Y (5.7)	14044606	1	144.00	MANIFOLD,
64	Y W/SP. H/PER. (EXC. C.A.C.)	445686	1	.35	PLUG, MANIF VAC
69	Y (427) W/H.D., AL. CYL. AND CASE	3931093	1	19.80	SHIELD, HT INT MANIF
82	Y (5.7)	14037662	1	.97	STUD, INT MANIF(9.171)

3.270 GASKET-GASKET KIT-SEALANT, Manifold to Cylinder Head

NOTE 1: KIT REQUIRES SILASTIC SEALER FOR INT MANIF FRT & RR SEALS.

NOTE 2: FOR R.H. INSTALLATION, 1 EXTRA GASKET REQUIRED-3711569.

57-62	Y W/F.I.	3768235	4	1.65	GASKET, INT MANIF TO ADAP
63-65	Y W/F.I.	3832280	4	1.50	GASKET, FUEL INJECTOR
55	Y (8 CYL.)	3711675	2	1.95	GASKET KIT, EXH (NOTE 2)
56	Y W/DUAL 4BC	3931600	1	5.85	GASKET KIT, INT
57-62	Y (8 CYL.) (EXC. F.I.)	3931600	1	5.85	GASKET KIT, INT
63-68	Y (283, 327) (EXC. F.I.)	3931600	1	5.85	GASKET KIT, INT
65-69	Y (396, 427) W/SP. H/PER.	3955527	1	8.15	GASKET KIT, INT
65-69	Y (396, 427) (EXC. SP. H/PER., H.D.)	6259379	1	6.40	GASKET KIT, INT
69-72	Y (350)	14038088	1	N.L.	GASKET KIT, INT
69	Y (427) W/H.D.	3955528	1	11.65	GASKET KIT, INT
70-72	Y (454) W/4BC (EXC. SP. H/PER.)	6259379	1	6.40	GASKET KIT, INT
71	Y (454) W/SP. H/PER.	3955527	1	8.15	GASKET KIT, INT
73	Y (350)	356801	1	N.L.	GASKET KIT, INT
73	Y (454)	6259316	1	6.40	GASKET KIT, INT
74	Y (350)	345195	1	N.L.	GASKET KIT, INT
74	Y (454)	6260996	1	6.40	GASKET KIT, INT
75	Y (350)	356801	1	N.L.	GASKET KIT, INT
76	Y (350) (EXC. SP. H/PER., CALIF)	14038088	1	N.L.	GASKET KIT, INT
76	Y (350) W/CALIF.	356801	1	N.L.	GASKET KIT, INT
78-80	Y (305, 350)	14038088	1	N.L.	GASKET KIT, INT
81	Y (350)	14034821	1	N.L.	GASKET KIT, INT (NOTE 1)
82	Y	14034932	1	19.15	GASKET KIT, INT
81-82	Y	1052366	AR	7.35	SEALANT, INT MANIF ENDS(8.800)

3.273 CLAMP-SLEEVE, Intake & Exhaust Manifold

53-55	Y (6 CYL.)	3835505	4	.65	CLAMP, CTR (2" O.L.)
53-55	Y (6 CYL.)	3835506	3	.50	SLEEVE, INT MANIF TO CYL HD (1 17/32 CLOSED X 3/8 WIDE)

3.275 BOLT-STUD, Intake & Exhaust Manifold

NOTE: ALSO SEE GROUPS 3.288 CARB TO MANIFOLD, 3.613 MANIFOLD TO EXH. PIPE, AND 8.981.

55	Y (8 CYL.)	3836646	12	.81	BOLT, EXH MANIF (3/8-16 X 1 5/8 300M STEEL) (CIRCLE ON HEAD)
56-81	Y	3733134	AR	1.05	BOLT, AT CTR HOLES (3/8-16 X 2 27/32 (300M))

FUEL-EXHAUST-CARBURETION

3.275 BOLT-STUD, Intake & Exhaust Manifold (Con't)

63	Y W/SP. H/PER.	3733134	AR	1.05	BOLT, AT CTR HOLES (3/8-16 X 2 27/32) (300M)
64-81	Y	22505552	AR	1.40	BOLT, STUD(3/8-16 X .56 X 2.0 ZP 280M)
64-68	Y (283, 327, 427) W/A.C.	3841724	1	.92	BOLT (3/8-16 X 3 11/16)(300M)
67-69	Y (427)	3909821	1	.50	BOLT, EXH. MANIF (3/8-16 X 1 3/16)
69	Y (427) W/AL. CYL. AND CASE	3736035	8	.77	BOLT, EXH. MANIF AT CTR HOLES (3/8-16 X 1 1/4)
69	Y W/A.C. (EXC. H/PER. 427)	3841724	1	.92	BOLT (3/8-16 X 3 11/16)(300M)
70-75	Y (350) W/A.C.	3841724	1	.92	BOLT (3/8-16 X 3 11/16)(300M)
70-77	Y (454)	3909821	AR	.50	BOLT, EXH. MANIF AT END HOLES
73	Y (454)	3736035	8	.77	BOLT, EXH. MANIF AT CTR HOLES (3/8-16 X 1 1/4)
74-79	Y (350)	3733130	1	.81	BOLT, EXH. MANIF, NO. 1 R.H. HOLE (3/8-16 X 2 1/4)
75-79	Y	454467	AR	.79	BOLT, HEX (3/8-16 X 1-3/4 300M) (4.085)
75-82	Y	3736035	AR	.77	BOLT, HEX (3/8-16 X 1 1/4)
76-79	Y	3841724	AR	.92	BOLT (3/8-16 X 3 11/16)(300M)
53-71	Y	344996	AR	.58	STUD, INT MANIF TO EXH MANIF (3/8-16 X 3 5/16)
53-71	Y	483543	AR	.35	STUD, EXH MANIF ENDS TO HD, INT MANIF (3/8-16 X 2 3/16)
53-55	Y (6 CYL.)	3835487	2	.81	STUD, 1 END THREADED-OTHER USED TO LINE UP MANIF (3/8-16-16 29/32)
64-66	Y (283, 327, 427) W/A.C.	3932448	AR	1.30	STUD, EXH., RH FRT HOLE
65-66	Y (396, 427) W/P.S.	3774029	1	3.60	STUD (5/16-18 X 3/16-16 X 2 9/16)
67	Y (427)	3774029	1	3.60	STUD (5/16-18-3/16-16 X 2 9/16)
67-69	Y (427) W/P.S.	3928905	1	3.65	STUD, EXH MANIF AT L.H. SI FRT HOLE (3/16-16-5/16-18 X 25/32)
68	Y (427) W/A.C.	3928906	2	1.25	STUD, EXH. MANIF, FRT R.H.
69-70	Y (427) W/H.D., A.T., AL. CYL. AND CASE	3928905	AR	3.65	STUD, 3 AND 4 HOLES L.H. SI
69-75	Y (427, 454) W/H/PER., 4BC, A.C.	3928906	2	1.25	STUD, EXH. MANIF, 1 AND 3, R.H., HOLE
70	Y (454) W/4BC (EXC. H.D.)	3928905	AR	3.65	STUD, R.H. INT MANIF, NO. 3 HOLE (3/8-16-5/16-18 X 2 1/4)
70-74	Y (454) W/P.S.	3928905	1	3.65	STUD, EXH. MANIF AT L.H. SI FRT HOLE (3/16-16-5/16-18 X 25/32)
70-76	Y W/A.C.	3932448	AR	1.30	STUD (3/8-16 X 4 3/32)
73-74	Y	344996	AR	.58	STUD, INT MANIF TO EXH MANIF (3/8-16 X 3 5/16)
73-75	Y	483543	AR	.35	STUD, EXH MANIF ENDS TO HD, INT MANIF (3/8-16 X 2 3/16)
76-79	Y (350)	3937247	LH	3.60	STUD, EXH MANIF, NO. 4 HOLE
77-82	Y	3932448	RH	1.30	STUD, EXH MANIF, NO. 1 HOLE
82	Y (5.7)	14037662	1	.97	STUD, EXH MANIF(9.171)

3.278 CAP-CONNECTOR-FITTING-SEAT-STUD-TEE, Intake Manifold Vacuum

NOTE 1: CAP UNUSED OUTLETS AS REQUIRED USING CAP 343350

74-82	Y	343350	AR	.57	CAP, VAC PIPE (.218 DIA) (3.734)
75-82	Y	489106	AR	.33	CAP, VAC FITT (.156 ID, .320 OD RUBBER)
65-82	Y	14004876	AR	.57	CONNECTOR, VAC-STRAIGHT 1/4" NYLON
75-82	Y	550514	AR	.77	CONNECTOR, VAC HOSE (5 WAY)
77-82	Y	556992	AR	.35	CONNECTOR, 90 DEG ELBOW 3/16 HOSE PLASTI
78-81	Y	465994	1	.40	CONNECTOR, EVAP EMIS HOSE (SPL "Y") (5/32X5/32/7/64I.D.)
78-82	Y	560625	AR	.40	CONNECTOR, STRAIGHT, NYLON (3/16 HOSE)
78-82	Y W/CRUISE CONT	556630	1	.72	CONNECTOR (NYLON 5/16 O.D.)(4 WAY)
80-82	Y	22508812	AR	2.00	CONNECTOR, VAC HOSE
64-69	Y	336015	1	1.75	FITTING, VAC (3/8-18 DRYSEAL) (2) 9/32 OUTLET
70-82	Y	473381	AR	5.05	FITTING, INLET MANIF VAC (5/P-18 TO 3/8-18) (STL CAD)
73-78	Y (350) W/M.T.	336013	1	2.25	FITTING, VAC (3/8-18 DRYSEAL) (1) 9/32 OTLT
73	Y W/A.T.	336015	1	1.75	FITTING, VAC (3/8-18 DRYSEAL) (2) 9/32 OUTLETS
74-82	Y	1369465	1	.94	FITTING, VAC (1/8-27 NPT 1/4 HOSE 1.25 LG STEEL)
74-75	Y (350) W/A.T.	336015	1	1.75	FITTING, VAC (3/8-18 DRYSEAL) (2) 9/32 OUTLETS

FUEL-EXHAUST-CARBURETION

3.278		CAP-CONNECTOR-FITTING-SEAT-STUD-TEE, Intake Manifold Vacuum (Con't)		
74	Y (454)	336015	1 1.75	FITTING, VAC (3/8-18 DRYSEAL) (2) 9/32 OUTLETS
76-82	Y	355786	1 11.15	FITTING, VAC (3/8-18 DRYSEAL) (2) 3/16 & (2) 1/4 DIA. OUTLETS (NOTE 1)
82	Y W/CRUISE CONT (K35)	14032388	1 1.15	FITTING, INT MANIF VAC
75-76	Y W/P.S.	5681757	1 .64	SEAT, HYD VLV HSG
58-59	Y W/P.G.	3749170	1 1.10	STUD, HOLLOW (5/16-18-24 X 2 5/32 HOSE TAKE-OFF) (3.288)
62	Y (EXC. F.I.)	3749170	1 1.10	STUD, HOLLOW (5/16-18-24 X 2 5/32 HOSE TAKE-OFF) (3.288)
65-68	Y	3891526	1 1.80	TEE, VAC. (3/8-18 DRYSEAL) (1) 3/8 AND (2) 1/4 HOSE OUTLETS
74-79	Y	3752621	AR .53	TEE, CONN (NYLON) 1/4 DIA. HOSE
77-78	Y	376204	1 1.05	TEE, CONN (NYLON) HOSE 5/16 DIA. 4 OUTLETS
78-82	Y	10003617	1 .35	TEE, VAC HOSE (13/16 X 3/16 X 3/16)
3.288		STUD -WASHER, Carburetor to Manifold		
<i>NOTE: ALSO SEE GROUP 3.275.</i>				
53-72	Y	3731702	AR .73	STUD (LH SI FRT HOLE, ADAP, RH SI FRT, SPEED CRUISE CONT REG. MT BRKT.)
58-61	Y W/P.G.	3749170	1 1.10	STUD (5/16-18-24 X 2 5/32) (DRILLED FOR VACUUM TAKE-OFF)
62	Y (EXC. F.I.)	3749170	1 1.10	STUD (5/16-18-24 X 2 5/32) (DRILLED FOR VACUUM TAKE-OFF)
56	Y	3719427	2 .35	WASHER, FRT. MTG. STUD (11/32 I.D. X 11/32 O.D.)
3.308		GASKET, Fuel Injection		
57-65	Y	7014104	1 .76	GASKET, PUMP
3.314		SCREW, Fuel or Air Meter		
<i>NOTE 1: USED WITH SAND CAST F.I. ASM.</i>				
57-59	Y	7038913	AR .40	SCREW, AIR METER SWT BRKT, FUEL METER PASSAGE CVR, SOLENOID BRKTS (10-32 X 3/8) (3.403) (NOTE 1)
64-65	Y	7038913	AR .40	SCREW, AIR METER SWT BRKT, FUEL METER PASSAGE CVR, SOLENOID BRKTS (10-32 X 3/8) (W/7014520-4800-4900-4960-7300-7380) (3.403) (NOTE 1)
3.318		GASKET, Fuel Meter Control		
57-65	Y	7017084	1 .54	GASKET, DIAPH CVR
3.322		SCREW-SEAL, Fuel Meter		
<i>NOTE 1: INCLUDES SPILL SLEEVE ASM., SPILL PLUNGER SPRING AND O. RING.</i>				
<i>NOTE 2: USED WITH DIE CAST F.I. ASM.</i>				
57-59	Y	7038913	1 .40	SCREW, PASSAGE CVR (3.403)
57-65	Y W/F.I.	7014546	1 .75	SEAL, FUEL VLV CVR O RING
3.330		ELBOW, Fuel Injection		
58-65	Y	7014946	1 2.55	ELBOW, IDLE AIR GALLERY (RUBBER)
3.332		GASKET-NOZZLE, Fuel Injector Metering		
57-65	Y	7014784	4 .39	GASKET, NOZZLE HOLDER (W/7014520-4800-4900-4960-7200-7250-7300-7310-7320-7355-7360-7375-7380)
63-65	Y	7017323	AR 42.00	NOZZLE, CODE W17 AND W18
63-65	Y	7017325	AR 42.00	NOZZLE, CODED Y19 AND Y20
3.340		CABLE-PIN-SHAFT-WASHER, Fuel Injection Distributor		
<i>NOTE 1: THE 2ND DESIGN PART IS NO LONGER AVAILABLE.</i>				
57-63	Y (1ST DESIGN)	1585719	1 6.86	CABLE, F.M. DRIVE (W/O CASING) (6 21/64)
63-65	Y (3RD DESIGN)	6409698	1 16.10	CABLE, F.M. DRIVE (W/O CASING) (NOTE 1)
57-65	Y	1862218	1	PIN, DRIVE SHAFT DRIVEN GEAR (W/1110914-15-90-1022-63-64-70)
57-65	Y	6409648	1 48.20	SHAFT, F.M. PUMP FLEXIBLE W/CASING
57-64	Y	3947896	1 .44	WASHER, DRIVE SHAFT DRIVEN GEAR (W/1110914-15-90-1022-63-64-70)

FUEL-EXHAUST-CARBURETION

3.402 CLEANER, Carburetor

NOTE: WHEN USING CERTAIN CLEANERS ON NON-CLOSED VENT SYSTEMS, IT WILL BE NECESSARY TO PINCH SHUT CLOSED SYSTEM TUBE

66-67	Y (427) W/H/PER. (EXC. A.I.R. 3/2BC)	6423907	1	95.00	CLEANER, W/SIL (CHROME)
67	Y W/3/2BC (EXC. A.I.R.)	6423757	1	189.00	CLEANER, W/SIL
68-69	Y (EXC. 3/2BC, H.D. 427, SP. H/PER. 350)	6423272	1	100.00	CLEANER, W/SIL
68-69	Y W/3/2BC	6423757	1	189.00	CLEANER, W/SIL
69-72	Y (350) W/SP. H/PER.	6423907	1	95.00	CLEANER, W/SIL (CHROME)
70-72	Y (350, 454) (EXC. SP. H/PER.)	6485887	1	100.00	CLEANER, W/SIL
71	Y (454) W/SP. H/PER.	6485239	1	99.25	CLEANER, W/SIL
73-74	Y	6487577	1	100.00	CLEANER, W/SIL
75	Y	8994027	1	104.00	CLEANER, W/SIL
75	Y W/K50	8995171	1	104.00	CLEANER, W/SIL
76	Y	8995165	1	149.00	CLEANER, W/SIL
77-78	Y (EXC. SP. H/PER.)	8995527	1	129.00	CLEANER, W/SIL
78	Y W/SP. H/PER.	8996220	1	148.00	CLEANER, W/SIL
79	Y	8996220	1	148.00	CLEANER, W/SIL
80	Y (305H)	8997422	1	184.00	CLEANER, W/SIL
80	Y (350) W/A.T. (MV4)	8997660	1	224.00	CLEANER
81	Y	25040289	1	290.00	CLEANER
82	Y	25040866	1	388.00	CLEANER

3.403 GASKET-NUT-STUD, Carburetor Air Cleaner and Silencer

NOTE 1: THIS IS A UNIVERSAL STUD THAT MUST BE CUT TO REQUIRED LENGTH WHEN SERVICING CERTAIN MODELS. IF THE STUD IS NOT CUT DOWN, DAMAGE TO THE HOOD PANEL OR CARBURETOR CAN RESULT WHEN THE HOOD IS CLOSED.

NOTE 2: IT MAY BE NECESSARY TO USE (2) 1/4"-20 NUTS AS SHOULDER ON SOME 1969-1977 MODELS.

64-65	Y W/SP./H/PER.	25511809	1	58	GASKET, A/CLNR AND SIL
66	Y (8 CYL.)	25511809	1	58	GASKET, A/CLNR AND SIL
67-69	Y (427) W/3/2BC	3899898	3	73	GASKET, TO CARB
67-69	Y W/H.D. (427)	25511809	1	58	GASKET, A/CLNR AND SIL
67-68	Y W/4BC (EXC. A.I.R.)	25511809	1	58	GASKET, A/CLNR AND SIL
70-71	Y (350, 454) (EXC. H.D.)	25511809	1	58	GASKET, A/CLNR AND SIL
72-81	Y	25511809	1	58	GASKET, A/CLNR AND SIL
75-79	Y	559573	AR	59	NUT, WING(5/16-18)
76-79	Y	1385852	AR	31	NUT, WING(1/4-20)
82	Y	14067309	2	3.65	NUT, A/CLNR
64-82	Y	3785256	1	1.25	STUD (1/4-20 X 2) (NOTE 1,2)
82	Y	14037769	2	.76	STUD, A/CLNR

3.406 BASE-FLANGE-SEAL, Air Cleaner to Carburetor Mounting

65-67	Y (396, 427)	6422188	1	29.50	BASE
68	Y	6422188	1	29.50	BASE
69-72	Y (350) W/SP. H/PER.	6422188	1	29.50	BASE
73-74	Y (350)	330525	1	14.90	FLANGE, A/CLNR SEAL
73-74	Y (454)	330527	1	14.90	FLANGE, A/CLNR SEAL
75	Y	354366	1	14.90	FLANGE, A/CLNR SEAL
67-69	Y (427) W/H.D.	3934165	1	2.80	SEAL, A/CLNR TO HOOD

3.410 BREATHER-COVER-DIFFUSER-ELEMENT-RETAINER-SCREEN, Carburetor Air Cleaner

NOTE 1: MAY BE USED ON 1958-59 CORVETTE W/DUAL 46C MODELS IF AIR CLEANER 5645690 IS ALSO USED.

73-81	Y	6484966	1	N.L.	BREATHER, INSIDE OF A/CLNR(FB-59)
82	Y	25041879	1	4.30	BREATHER, A/CLNR AND SIL(FB-84)
66-68	Y (327, 427)	6421832	1	44.50	COVER(W/6421963-2286-7-3240-69-3520-3689-3907-8-9)
70-72	Y (350) W/SP. H/PER.	6421832	1	44.50	COVER (CHROME) (W/6423907)
70-72	Y (350, 454) (EXC. SP. H/PER.)	6483843	1	53.50	COVER (W/6485887)
67-69	Y W/H.D. (427)	6423906	1	49.58	DIFFUSER, AIR
60-61	Y (EXC. F.I.)	6484295	1	10.92	ELEMENT (A98C) (NOTE 1)
62	Y	6484295	1	10.92	ELEMENT (A98C) (W/5645669-90-8423) (NOTE 1)
63-66	Y (EXC. F.I.)	6484339	1	10.32	ELEMENT (A165C) (W/5649411-6418317-8842-9505-9506-9921)
63-65	Y W/F.I.	6118400	1	20.47	ELEMENT (A163C) (W/6418094)
65-67	Y (327, 396)	6421746	1	N.L.	ELEMENT (A212CW)
67-68	Y (427)	6423688	1	23.92	ELEMENT (A273C) (W/6423757-58)
68	Y (327)	6421746	1	N.L.	ELEMENT (A212CW) (W/6421213-14-16-63)
69	Y (EXC. 3/2BC, H.D. 427)	6421746	1	N.L.	ELEMENT (A212CW)
69	Y W/3/2BC	6423688	1	23.92	ELEMENT (W/6423757)

FUEL-EXHAUST-CARBURETION

**3.410 BREATHER-COVER -DIFFUSER-ELEMENT -RETAINER-SCREEN,
Carburetor Air Cleaner (Con't)**

70-72	Y (350, 454) W/SP. H/PER.	6421746	1	N.L.	ELEMENT (A212CW) (W/6423272-3907-6485239)
70-72	Y (350, 454) (EXC. SP. H/PER.)	6483645	1	N.L.	ELEMENT (A329C) (W/6485887)
73-74	Y	6483645	1	N.L.	ELEMENT (A329C) (W/6485887)
75-81	Y	6484235	1	N.L.	ELEMENT (A348C) (W/8994027)
67-69	Y (427) W/H.D.	3902394	1	26.50	RETAINER, CARB AIR INT SCREEN
73-76	Y	331847	1	5.50	SCREEN, CARB AIR CONT VLV

**3.415 BRACKET-DOOR-FRAME-MOTOR-RELAY-RETAINER-ROD-
SENSOR-SOLENOID-VALVE, Carburetor Air Cleaner Controls**

82	Y	14043248	1	.30	BRACKET, A/CLNR AIR INT SCOOP DR
82	Y	14033715	1	2.00	DOOR, AIR INT DUCT FRT
73-76	Y	3975984	1	17.60	FRAME, VLV
76	Y	6487372	1	22.75	MOTOR, A/CLNR VAC DIAPH
77-81	Y	6488213	1	22.75	MOTOR, A/CLNR VAC DIAPH
82	Y	25041109	1	21.45	MOTOR, A/CLNR VAC DIAPH
82	Y	14039681	1	9.20	RELAY, A/CLNR DR SOL(3.140)
73-76	Y	3955227	1	.79	RETAINER
82	Y	14043249	1	.30	ROD, AIR INT HOOD
82	Y	14045999	1	.30	ROD, AIR INT SCOOP LWR DUCT
75-79	Y	6484244	1	11.40	SENSOR
80-81	Y (305H, 350)	8997493	1	17.05	SENSOR
82	Y	8997787	1	17.05	SENSOR, A/CLNR
73-76	Y	1114427	1	32.15	SOLENOID, CARB AIR CONT
82	Y	14043247	1	32.25	SOLENOID, A/CLNR AIR INT SCOOP DR
73-76	Y	3955226	1	9.70	VALVE, AIR CONT

**3.417 BRACKET-COVER-DUCT-ELBOW-PIPE-PLATE-SEAL-STOVE-
Air Cleaner Air Intake**

82	Y	14033722	1	1.55	BRACKET, AIR INT DUCT FRT
76-80	Y	367135	1	6.90	COVER, CARB AIR HT STOVE
76-81	Y	368684	1	8.20	DUCT, AIR INT INR FLEX
76-77	Y	379974	1	17.50	DUCT, AIR INT
78-79	Y (EXC. SP. H/PER.)	368684	1	8.20	DUCT, AIR INT INR FLEX(TO RAD)
78-79	Y (EXC. SP. H/PER.)	379974	1	17.50	DUCT, AIR INT
78	Y W/SP. H/PER.	472712	1	7.50	DUCT, AIR INT INR FLEX
78	Y W/SP. H/PER.	472713	1	16.50	DUCT, AIR INT OTR
78	Y W/SP. H/PER.	14016116	1	11.95	DUCT, AIR INT CTR
79-81	Y	472712	1	7.50	DUCT, AIR INT INR FLEX(TO FDR)
79-81	Y	472713	1	16.50	DUCT, AIR INT OTR
79-81	Y	14016116	1	11.95	DUCT, AIR INT CTR
82	Y	14038268	1	11.95	DUCT, AIR INT FRT
76-82	Y	372586	1	6.75	ELBOW, AIR HT STOVE
76-82	Y	1260631	1	3.75	PIPE, HTD AIR(APPROX 1 1/2 DIA)
76-79	Y	3946832	1	2.95	PLATE, CARB AIR HT STOVE BASE
80	Y (350)	3946832	1	2.95	PLATE, CARB AIR HT STOVE BASE
73-75	Y	331848	1	17.05	SEAL, CARB AIR CONT VLV
73-75	Y	3955231	1	23.25	SEAL, A/CLNR TO HOOD
77-81	Y	14016160	1	3.95	SEAL, AIR DUCT
80-81	Y	14016159	2	7.40	SEAL, AIR INT CTR DUCT
82	Y	14045940	1	13.95	SEAL, AIR INT DUCT FRT
82	Y	14045992	2	3.75	SEAL, AIR INTAKE DUCT CTR
81	Y	14020687	1	8.05	STOVE, CARB AIR HTR INR
81	Y	14020688	1	17.90	STOVE, CARB AIR HTR OTR
82	Y	14045843	1	8.05	STOVE, ENG AIR HT OTR
82	Y	14045844	1	8.05	STOVE, ENG AIR HT INR
68-82	Y	3959544	4	.30	STUD, INT MANIF OIL SPH GUARD

**3.425 BUSHING-CLAMP-CLIP-RETAINER-SLEEVE-STUD-SWIVEL,
Carburetor Throttle Control**

53-82	Y	3794377	1	.38	BUSHING, ACCEL. ROD (5/16 I.D. X 1/2 O.D.)
53-82	Y (6 CYL.)	3794377	1	.38	BUSHING, ACCEL ROD (5/8 I.D. X 1/2 O.D.)
55-57	Y (8 CYL.)	3710620	2	.38	BUSHING, ACCEL PEDAL ROD (NYLON)
68-72	Y	3921617	1	.54	CLAMP, ACCEL CONT CABLE
53-55	Y (6 CYL.)	3700188	AR	.59	CLIP, CARB TO ACCEL ROD ATTACH
55-62	Y	3700188	AR	.59	CLIP, ACCEL TO CONT ROD SWIVEL
58	Y W/P.G.	3711177	AR	.62	CLIP, CROSS SHAFT ROD SWIVEL
65-69	Y	3700188	AR	.59	CLIP, CARB TO ACCEL LVR ROD, CARB TO CONT LVR, CARB TO ACCEL LVR ROD SWIVEL
65-69	Y	3711177	AR	.62	CLIP, ACCEL CONT ROD SWIVEL
67	Y W/3/2BC	330668	AR	.54	CLIP, CTR TO RR CARB ROD

FUEL-EXHAUST-CARBURETION

3.425 BUSHING-CLAMP-CLIP-RETAINER-SLEEVE-STUD-SWIVEL, Carburetor Throttle Control (Con't)

69-70	Y	6255773	AR	.45	CLIP, ROD END AUTO CHOKE ROD TO CARB
70-73	Y	370688	AR	.54	CLIP, CTR TO RR CARB ROD
71-79	Y W/M.T. (M20, M21)	3989087	1	.33	CLIP, BKG LP SW CONT ROD
80-82	Y	3962782	AR	.44	CLIP, SPECIAL
80-81	Y W/M.T. (M18)	3989087	1	.33	CLIP, BKG LP SW CONT ROD
68-73	Y	403929	1	.31	RETAINER, CABLE TO ACCEL PEDAL LVR, ACCEL CONT CABLE
75-82	Y	1247872	1	.33	RETAINER, ACCEL CONT CABLE
53-82	Y	3866271	AR	.33	SLEEVE, ACCEL. CONT. ROD (1/4 I.D. X 3/8 O.L.) (NYLON)
69	Y (350) (EXC. H/PER.)	3924414	1	.58	STUD, ACCEL LVR BALL
69	Y (427) W/H/PER.	3924414	1	.58	STUD, ACCEL LVR BALL
70-73	Y	3924414	1	.58	STUD, ACCEL LVR BALL
55-59	Y	3711199	AR	.62	SWIVEL, BELLCRANK ROD
55-62	Y W/P.G. (8 CYL.)	3711199	AR	.62	SWIVEL, CARB TO ACCEL ROD
56-66	Y (8 CYL.) (EXC. DUAL 4BC)	3892880	1	.62	SWIVEL, ACCEL CONT ROD
65-69	Y	3711199	AR	.62	SWIVEL, CARB TO ACCEL LVR ROD

3.430 CABLE-ROD, Throttle Control

68-72	Y (EXC. 3/2BC)	336977	1	10.45	CABLE, ACCEL CONT
69	Y (H/PER., SP. H/PER. W/3/2BC)	3973861	1	11.05	CABLE, ACCEL CONT
73	Y	336977	1	10.45	CABLE, ACCEL CONT
74	Y	340835	1	10.45	CABLE, ACCEL CONT
75-81	Y	1248093	1	10.45	CABLE, ACCEL CONT
82	Y	14038657	1	10.45	CABLE, ACCEL CONT
55-65	Y (EXC. 396, F.I.)	3827696	1	2.50	ROD, ACCEL CONT
63-65	Y W/F.I.	3828224	1	2.25	ROD, ACCEL CONT

3.431 ROD, Accelerator Pedal

NOTE 1: NO PIN ABOVE D SLOT.

69-76	Y	340692	1	4.85	ROD
77-82	Y	4,0827	1	4.85	ROD

3.440 RELAY-SOLENOID, Carburetor Idle

NOTE: FOR 1978 AND LATER SOLENOID KITS SEE CARB CHART AT END OF 3.000 GROUP.

71-72	Y W/C.A.C.	3998204	1	5.65	RELAY, ANTI-DIESELING BLOCKING
68-70	Y	1114421	1	16.40	SOLENOID, CARB IDLE CONT
71-72	Y (350, 454)	1114444	1	29.30	SOLENOID, CARB IDLE CONT
72	Y	1997470	1	N.L.	SOLENOID, CARB IDLE CONT
73-74	Y (350)	1997470	1	N.L.	SOLENOID, CARB IDLE CONT
73-74	Y (454)	1997470	1	N.L.	SOLENOID, CARB IDLE STOP
75-76	Y (350)	1997437	1	19.60	SOLENOID, CARB IDLE STOP
77	Y (350) W/A.C.	17081769	1	24.00	SOLENOID, W/BRKT

3.444 BRACKET, Carburetor throttle

71-74	Y W/ROCH. 4BC	7042682	1	2.34	BRACKET, IDLE CONT SOLENOID (ROCHESTER)
-------	---------------	---------	---	------	---

3.451 ANTI SQUEAK COVER-PEDAL-PLATE, Accelerator Pedal

55-67	Y	3825201	1	.55	ANTI SQUEAK, ACCEL PED ROD
69-72	Y	3972621	1	.33	COVER, PEDAL SUPT
55-57	Y	3711379	1	6.90	PEDAL, W/BRKT. (ROCHER-1 3/4" X 9")
53-62	Y	3820328	1	2.75	PEDAL (PLASTIC 10 3/4 O.L.)
63-67	Y	715390	1	13.33	PEDAL
68-72	Y	3920296	1	2.25	PEJAL
73-82	Y	388079	1	2.15	PEDAL
63-67	Y	3824827	1	1.55	PLATE, PEDAL ROD SUPT MT
68-73	Y	3915747	1	.79	PLATE, PEDAL ROD SUPT MT
68-82	Y	3919767	1	.55	PLATE, PEDAL MT
68-72	Y	3923611	1	1.85	PLATE, PEDAL TR
76-82	Y	354675	1	.55	PLATE, PEDAL ROD SUPT MT

3.452 PIN-STUD, Accelerator Pedal Mounting

NOTE 1: IF REQUIRED USE 120392 WASHER TO OBTAIN PROPER HEIGHT.

63-67	Y	3741578	1	1.30	PIN
68-82	Y	388078	1	.52	PIN
58-62	Y	3748971	1	.78	STUD, BALL (1 1/4-20 X 1 1/2) (NOTE 1)

3.454 BRACKET-LEVER-RETAINER-SUPPORT, Accelerator Pedal Lever

68-69	Y (427) W/H.D.	3972627	1	6.95	BRACKET, CONT CABLE
-------	----------------	---------	---	------	---------------------

WAREHOUSING AND DISTRIBUTION DIVISION OF GENERAL MOTORS CORPORATION — CHEVROLET-14A

FUEL-EXHAUST-CARBURETION

3.454 BRACKET-LEVER-RETAINER-SUPPORT, Accelerator Pedal Lever
(Con't)

68-69	Y W/4BC (EXC. H.D. 427, SP. H/PER. 350)	3992386	1	9.35	BRACKET, CONT CABLE
69-72	Y (350, 454) W/SP. H/PER.	3972627	1	6.95	BRACKET, CONT CABLE
70-72	Y (350, 454) (EXC. SP. H/PER.)	3992386	1	9.35	BRACKET, CONT CABLE
73	Y	3992386	1	9.35	BRACKET, CONT CABLE
77-82	Y	460826	1	4.85	BRACKET, PEDAL ROD
63-64	Y W/F.I. (1ST DESIGN)	7017242	1	24.80	LEVER, CONT (W/7017375)
64-65	Y (EXC. H/PER., 396)	3844175	1	2.80	LEVER, CONT ROD
77	Y	3929059	1	.33	RETAINER, PEDAL TO LVR (9.767)
68	Y	3921618	1	1.30	SUPPORT, PEDAL ROD
69-82	Y	3972620	1	1.75	SUPPORT, PEDAL ROD
74	Y	340651	1	8.25	SUPPORT, CONT CABLE
75-80	Y	352279	1	4.95	SUPPORT, CONT CABLE
78-80	Y	468244	1	1.20	SUPPORT, CONT CABLE AND SPLG WIRE RR
81	Y (350)	14062608	LH	2.15	SUPPORT, CONT CABLE
82	Y	14038659	LH	4.95	SUPPORT, ACCEL CONT CBL

3.459 SPRING-STUD, Accelerator Return Spring

52-63	Y W/SP. H/PER.	3821966	1	.79	SPRING (6 1/4 FREE LENGTH) (WHITE)
68-69	Y	368077	1	.71	SPRING, PEDAL
68-69	Y (EXC. 3/2BC)	3921680	1	1.35	SPRING (BLACK)
68	Y W/3/2BC (1ST DESIGN)	3937913	1	2.85	SPRING (3 5/32 FREE LENGTH-10 COILS) (YELLOW)
70-72	Y	3972624	1	.66	SPRING (BLACK)
70-71	Y	6261798	1	.57	SPRING, PEDAL TENSION
72-82	Y	368077	1	.71	SPRING, PEDAL
73	Y	6261811	1	.57	SPRING
74-80	Y	340637	1	.50	SPRING, OTR (SILVER)
74-80	Y	340638	1	.50	SPRING, INR (BLUE)
81	Y	14024945	1	.58	SPRING, CONT CBL LVR RTN
70-77	Y	547668	AR	6.35	STUD, THROT CONT CBL BRKT & IDLER LVR MTG (5/16-18 X 2 3/8 O.L. X 1/2)

3.463 STUD, Throttle Control Lever

NOTE: FOR THROTTLE ROD SEE CARB CHART AT END OF 3.000 GROUP

53-67	Y (EXC. 8 CYL.)	547668	1	6.35	STUD, CONT LVR (5/16-18 X 2 3/8-1/2)
-------	-----------------	--------	---	------	--------------------------------------

3.469 SEAL, Accelerator Cable

53-55	Y	3695652	1	.35	SEAL (FELT-7/16 I.D. X 1 3/4 O.D. X 3/8 THICK)
-------	---	---------	---	-----	--

3.601 MANIFOLD, Engine Exhaust Manifold

NOTE: SEE GROUP 3.265 FOR INTAKE MANIFOLD.

57	Y (F.I. W/H.L. CAM)	3817806	RH	73.25	MANIFOLD (CAST 3750556)
57-61	Y (283)	3749965	LH	73.25	MANIFOLD (CAST 3749965)
57	Y (283)	3817806	RH	73.25	MANIFOLD (CAST 3750556)
57	Y W/F.I. (EXC. H.L. CAM)	372243	2	69.50	MANIFOLD
58-61	Y	3817806	RH	73.25	MANIFOLD (CAST 3750556)
62-63	Y (EXC. F.I., H/PER., SP. H/PER.)	3817806	RH	73.25	MANIFOLD (CAST 3750556)
62-63	Y (283, 327) (EXC. H/PER., SP. H/PER., F.I.)	3749965	LH	73.25	MANIFOLD (CAST 3749965)
62-65	Y (327) W/H/PER. (EXC. P.G.)	3814970	RH	77.00	MANIFOLD
62-65	Y W/F.I.	3814970	RH	77.00	MANIFOLD (CAST 3797902)
62-63	Y W/H/PER., SP. H/PER., F.I.	3797901	LH	77.00	MANIFOLD (CAST 3797901)
64-65	Y (P.G. W/H/PER.)	3846559	LH	73.25	MANIFOLD
64	Y (283, 327) (EXC. H/PER., SP. H/PER., F.I.)	3846559	LH	73.25	MANIFOLD
64-65	Y (327) (P.G. W/H/PER.)	3817806	RH	73.25	MANIFOLD (CAST 3750556)
64-65	Y W/H/PER., SP. H/PER. (EXC. P.G.)	3846563	LH	74.50	MANIFOLD
65-66	Y (283, 327) (EXC. A.I.R., H/PER., SP. H/PER., F.I.)	3846559	LH	73.25	MANIFOLD
66-68	Y (327)	372243	2	69.50	MANIFOLD
66-67	Y (327) W/A.I.R.	3872765	LH	73.25	MANIFOLD
66-69	Y (427)	3880834	RH	96.75	MANIFOLD
67	Y (327) (EXC. A.I.R.)	3846559	LH	73.25	MANIFOLD
68-69	Y (327, 350)	3872765	LH	73.25	MANIFOLD
68-71	Y (350)	372243	RH	69.50	MANIFOLD
70-71	Y (350) (EXC. SP. H/PER.)	3846559	LH	73.25	MANIFOLD
70-71	Y (350) W/SP. H/PER.	3872765	LH	73.25	MANIFOLD
70-74	Y (454)	3880834	RH	96.75	MANIFOLD

WAREHOUSING AND DISTRIBUTION DIVISION OF GENERAL MOTORS CORPORATION — CHEVROLET—14A

FUEL-EXHAUST-CARBURETION

3.601 MANIFOLD, Engine Exhaust Manifold (Con't)

70-71	Y (454) (EXC. A.I.R., SP. H/PER.)	3969923	LH	96.75	MANIFOLD
71	Y (454) W/SP. H/PER.	3969923	LH	96.75	MANIFOLD
72-80	Y (350)	372243	2	69.50	MANIFOLD
72-73	Y (454) W/A.I.R.	3969923	LH	96.75	MANIFOLD
74	Y (454)	3969923	LH	96.75	MANIFOLD
80	Y (305)	14014437	LH	178.00	MANIFOLD
80	Y (305)	14014438	RH	178.00	MANIFOLD
81	Y (350)	14022625	LH	172.00	MANIFOLD
81	Y (350)	14022626	RH	172.00	MANIFOLD
82	Y (5.7)	14037671	RH	172.00	MANIFOLD
82	Y (5.7)	14037672	LH	172.00	MANIFOLD

3.602 BOLT-BRACKET-COVER-GASKET-MOLDING-SHIELD-STRAP, Exhaust Manifold Heater

69	Y W/SIDE MT. EXH.	3948079	AR	1.70	BOLT, HT SHIELD, RR MT
65-67	Y W/SIDE MT. EXH.	3872263	LH	1.00	BRACKET, BODY SILL EXH PIPE HT SHIELD
65-67	Y W/SIDE MT. EXH.	3876556	2	4.40	BRACKET, BODY SILL EXH PIPE HT SHIELD, RR
69	Y W/SIDE MT. EXH.	3966775	LH	3.05	BRACKET, RR
65-67	Y W/SIDE MT. EXH.	3872283	LH	253.00	COVER, BODY SILL EXH PIPE HT SHIELD
65-67	Y W/SIDE MT. EXH.	3872284	RH	253.00	COVER, BODY SILL EXH PIPE HT SHIELD
80	Y (305)	14004090	4	16.25	GASKET, EXH MANIF(FRT & RR)
80	Y (305)	14004091	2	25.00	GASKET, EXH MANIF(CTR)
81	Y (350)	14004090	4	16.25	GASKET, EXH MANIF(FRT & RR)
81	Y (350)	14004091	2	25.00	GASKET, EXH MANIF(CTR)
82	Y	14004090	4	16.25	GASKET, EXH MANIF(FRT & RR)
82	Y	14004091	2	25.00	GASKET, EXH MANIF(CTR)
69	Y W/SIDE MT. EXH.	3948020	2	69.75	MOLDING, SHIELD, CTR, OTR, FINNED ALUM
69	Y W/SIDE MT. EXH.	3948022	RH	32.50	MOLDING, SHIELD, FRT, OTR, ALUM
69	Y W/SIDE MT. EXH.	3948023	LH	25.75	MOLDING, SHIELD, RR, OTR, ALUM
69-75	Y	3958885	2	1.75	SHIELD, BODY SILL HT
69	Y W/SIDE MT. EXH.	3972591	LH	257.00	SHIELD
69	Y W/SIDE MT. EXH.	3972592	RH	257.00	SHIELD
75-76	Y W/A.T. (M40)	356953	1	36.00	SHIELD, EXH PIPE HT
76-77	Y (EXC. SP. H/PER.)	473040	1	7.45	SHIELD, RR EXH C/OVR PIPE HT FRT
77-79	Y	356953	1	36.00	SHIELD, EXH PIPE HT
78-79	Y	473040	1	7.45	SHIELD, RR EXH C/OVR PIPE HT FRT
78-79	Y	473041	1	9.15	SHIELD, RR EXH C/OVR PIPE HT RR
80	Y	475340	1	6.60	SHIELD, RR EXH C/OVR PIPE HT RR
80-81	Y	475342	1	1.95	SHIELD, EXH PIPE HT
80	Y (305)	14023194	1	7.20	SHIELD, EXH MANIF HT
80	Y (350)	14023193	1	2.05	SHIELD, EXH MANIF HT
81	Y	14023194	1	7.20	SHIELD, EXH MANIF HT
81-82	Y	14030148	1	7.45	SHIELD, RR EXH C/OVR PIPE HT FRT
81	Y (EXC. H.D.SUSP FE7)	14030149	1	2.85	SHIELD, RR EXH C/OVR PIPE HT RR
82	Y	14045850	RH	7.20	SHIELD, EXH MANIF HT
82	Y	14048925	1	2.85	SHIELD, EXH C/OVR FRT PIPE LWR
82	Y	14048926	1	2.85	SHIELD, EXH C/OVR FRT PIPE UPR
69-74	Y (EXC. SIDE MT. EXH.)	3828291	2	.54	STRAP, EXH PIPE HT SHIELD
80	Y (305)	14023182	2	3.55	STRAP, EXH MANIF HT SHLD
80	Y (350)	14023181	2	.54	STRAP, EXH MANIF HT SHLD
81-82	Y	14023182	2	3.55	STRAP, EXH MANIF HT SHLD

3.603 GASKET-PIPE-TUBE, Choke Heater or Air

77-79	Y	343663	1	.66	GASKET, TUBE
75-80	Y	14006748	1	.91	PIPE, AIR
76-80	Y	356918	1	1.45	PIPE, HT
58-61	Y (8 CYL.) (EXC. F.I.)	3814026	1	3.30	TUBE
62-63	Y (EXC. SP. H/PER., F.I.)	3814026	1	3.30	TUBE
64-66	Y	3814026	1	3.30	TUBE
75-79	Y (350)	343769	1	6.65	TUBE

3.604 BOLT-LOCK, Exhaust Manifold End Bolt

79-82	Y	1261333	AR	.57	BOLT, EXH MANIF(3/8-16 X 1.87 275M)
79-82	Y	1261334	AR	.67	BOLT, RH EXH MANIF (3/8-16 X 3.01 275M)
56-82	Y	3880844	4	.33	LOCK
80	Y (305)	462654	RH	.40	LOCK

3.609 EXTENSION-SPACER, Exhaust

NOTE: REFER TO CHART CONTAINING EXHAUST AND CROSSOVER PIPES AT THE END OF 3.000 GROUP.

55-62	Y (8 CYL.)	3815513	LH	15.70	EXTENSION, EXH PIPE (LOW NOISE)
-------	------------	---------	----	-------	---------------------------------

WAREHOUSING AND DISTRIBUTION DIVISION OF GENERAL MOTORS CORPORATION — CHEVROLET—14A

FUEL-EXHAUST-CARBURETION

3.609		EXTENSION-SPACER, Exhaust		(Con't)		
55-62	Y (8 CYL.)	3815514	RH	15.70	EXTENSION, EXH PIPE (LOW NOISE)	
65-72	Y	3890689	AR	3.10	EXTENSION (1 13/32 O.L. X 2 1/2 O.D.)	
					(STEEL)	
66-68	Y	3890382	AR	3.10	EXTENSION (1 13/32 O.L. X 2 1/2 O.D.)	
					(STEEL)	
70-81	Y	3890382	AR	3.10	EXTENSION (1 13/32 O.L. X 2 1/2 O.D.)	
					(STEEL)	
74	Y (454)	3890639	AR	3.10	EXTENSION (1 13/32 O.L. X 2 1/2 O.D.)	
					(STEEL)	
76-77	Y (350) (EXC. CALIF.)	5233430	1	17.85	SPACER, EXH MANIF ADAP	
3.610		FLANGE, Exhaust Pipe				
57-61	Y (8 CYL.) (EXC. H/PER.)	3734402	1	1.15	FLANGE, FRT EXH PIPE	
62-63	Y (EXC. F.I.)	3734402	1	1.15	FLANGE, FRT EXH PIPE	
64-71	Y	3915125	1	4.54	FLANGE (2 1/2 W/3 HOLES)	
64-65	Y (EXC. H/PER., SP. H/PER., F.I.)	3734402	1	1.15	FLANGE, FRT EXH PIPE	
66-67	Y (327) W, P.G. (EXC. SIDE MT. EXH.)	3734402	AR	1.15	FLANGE, FRT EXH PIPE	
69	Y (350) (EXC. SIDE MT. EXH.)	3734402	1	1.15	FLANGE, FRT EXH PIPE	
70-75	Y (350)	3734402	AR	1.15	FLANGE, FRT EXH PIPE	
3.611		GASKET -PACKING-RING, Exhaust Pipe				
56-60	Y (EXC. F.I.)	3946828	AR	.86	GASKET (TRIANGLE TYPE OUTLETS)	
61	Y W/F.I.	3946828	AR	.86	GASKET, PIPE TO MANIF SPCR	
62-65	Y (EXC. H/PER., SP. H/PER., F.I.)	3946828	AR	.86	GASKET, PIPE TO MANIF SPCR	
62-66	Y (327, 396, 427) W/H/PER., SP. H/PER.	3981068	AR	.67	GASKET, PIPE TO MANIF SPCR	
62-65	Y W/F.I.	3981068	AR	.67	GASKET, PIPE TO MANIF SPCR	
63	Y (327) W/H/PER., SP. H/PER.	3981068	AR	.67	GASKET, PIPE TO MANIF SPCR	
66-72	Y (327, 350)	3946828	AR	.86	GASKET, PIPE TO MANIF SPCR	
67-69	Y (427)	3981068	AR	.67	GASKET, PIPE TO MANIF SPCR	
70-74	Y (454) (EXC. H.D.)	3981068	AR	.67	GASKET, EXH MANIF VLV MANIF	
74	Y (350)	3946828	AR	.86	GASKET, PIPE TO MANIF SPCR	
53-71	Y	6271611	2	1.25	PACKING, FRT	
62-71	Y	6271612	2	1.25	PACKING, FRT	
72-74	Y (350)	6271611	2	1.25	PACKING, FRT	
72-74	Y (454)	6271612	2	1.25	PACKING, FRT	
75-81	Y	3731062	1	1.30	RING, PIPE TO MANIF SEALING (2 1/64-2 35/64 X 1/2W)	
3.613		BOLT-NUT-STUD, Exhaust Pipe				
72-82	Y	411405	AR	.66	BOLT, EXH(3/8-16X1 3/4 SHL HT HEX)	
53-82	Y	838780	AR	.36	NUT, EXHAUST PIPE AND MUFFLER (3/8-16 X 3/8 THICK) (BRASS)	
53-78	Y	344996	AR	.58	STUD, EXH PIPE AND MUFFLER, EXH C/OVR PIPE TO EXH MANIF (3/8-16 X 3 1/16)	
53-81	Y	483543	AR	.35	STUD, EXH PIPE AND MUFFLER, EXH C/OVR PIPE TO EXH MANIF (3/8-16 X 2.56 STEEL)	
75-81	Y	344996	AR	.58	STUD, EXH PIPE R.H. (3/8-16 X 3 1/16)	
78-79	Y	466389	AR	.59	STUD, EXH PIPE (M8 X 1 1/4)	
3.616		CLAMP-HANGER-NUT-RETAINER, Exhaust Pipe				
76-77	Y	357784	2	2.60	CLAMP, C/OVR RR PIPE HANGER	
78	Y (EXC. SP. H/PER.)	357784	2	2.60	CLAMP, C/OVR RR PIPE HANGER	
82	Y	14044542	1	2.60	CLAMP, EXH C/OVR RR PIPE HNGR	
76-77	Y	357781	1	10.90	HANGER, C/OVR RR	
78	Y (EXC. SP. H/PER.)	357781	1	10.90	HANGER, C/OVR RR	
78	Y W/SP. H/PER.	459081	1	10.75	HANGER, C/OVR RR	
79-82	Y	459081	1	10.75	HANGER, C/OVR RR	
79-81	Y	475341	1	2.50	HANGER	
82	Y	14044541	1	11.00	HANGER, C/OVR RR	
65-67	Y W/SI. MT. EXH.	3880494	AR	.81	NUT, BODY SILL EXH PIPE HT SHIELD CVR AND MLDG RET	
53-60	Y	3751443	AR	.80	RETAINER, CLAMP AND INSULATOR (3.704)	
3.640		ACTUATOR-SWITCH-THERMOSTAT, Exhaust Manifold Heat Valve				
75-77	Y	1996532	1	19.00	ACTUATOR, W/ROD	
78-79	Y	1996577	1	16.80	ACTUATOR, W/ROD	
75-78	Y	3031386	1	N.L.	SWITCH, EXH HT VLV ACTR	
53-55	Y (6 CYL.)	838573	1	2.00	THERMOSTAT	

FUEL-EXHAUST-CARBURETION

3.641 SPRING, Heat Valve Actuator

53-55	Y (6 CYL.)	602799	1	1.15	SPRING, RR. ANTI-RATTLE (1/4 WIDE STOCK-COILED)
57-60	Y (8 CYL.) (EXC. F.I.)	3748600	1	.59	SPRING, ANTI-RATTLE
61-67	Y (EXC. F.I.)	3748600	1	.59	SPRING, ANTI-RATTLE
68-74	Y	3748600	1	.59	SPRING, ANTI-RATTLE

3.647 BUSHING-PIPE-VALVE, Exhaust Manifold Heat

66	Y (283, 327) W/A.I.R.	3387032	2	.57	BUSHING, VLV SHAFT
66	Y (427)	3840282	2	.59	BUSHING, VLV SHAFT
67	Y (283, 327)	3387032	2	.57	BUSHING, VLV SHAFT
70-71	Y (350)	3887032	2	.57	BUSHING, VLV SHAFT
70-71	Y (454)	3848282	2	.59	BUSHING, VLV SHAFT
73-74	Y	3887032	2	.57	BUSHING, VLV SHAFT
66	Y (283, 327) (EXC. SP. H/PER.)	3877484	4	2.30	PIPE, CTR AND END
66	Y (427) W/SP. H/PER.	333832	AR	12.95	PIPE
57-61	Y (8 CYL.) (EXC. F.I., H/PER.)	362652	1	18.85	VALVE
61	Y (EXC. F.I.)	362652	1	18.85	VALVE
62-65	Y (EXC. H/PER., SP. H/PER., F.I.)	362652	1	18.85	VALVE
62-65	Y W/H/PER., SF. H/PER.	3887034	1	23.60	VALVE
66-74	Y (327, 350)	362652	1	18.85	VALVE
66-68	Y (427)	3887034	1	23.60	VALVE
69	Y (427)	3969903	1	20.50	VALVE
70-74	Y (454)	3887034	1	23.60	VALVE
75	Y	355915	1	32.75	VALVE
76	Y W/SP. H/PER., CALIF.	355915	1	32.75	VALVE
77-79	Y	355915	1	32.75	VALVE

3.650 PULLEY-SPACER, Air Injection Reactor Pump

NOTE: SEE GROUP 1.066 FOR BELT APPLICATION.

68	Y (EXC. 427)	3917234	1	12.30	PULLEY
68-81	Y W/A.I.R.	14023170	1	4.05	PULLEY (1 GROOVE, 148 MM)
69	Y (350) (EXC. H/PER.)	3917234	1	12.30	PULLEY
69	Y (350) W/H/PER. (EXC. A.C.)	3932458	1	3.70	PULLEY (1 GROOVE, 5 3/4 DIA.) (DA)
70-72	Y (350) W/SP. H/PER.	3917234	1	12.30	PULLEY
72	Y (350) (EXC. SP. H/PER.)	3917234	1	12.30	PULLEY
73-74	Y (350) (EXC. A.C.)	3917234	1	12.30	PULLEY
75-79	Y (350) W/A.C.	3932458	1	3.70	PULLEY (1 GROOVE, 5 3/4 DIA.) (DA)
80-82	Y	14023171	1	4.15	PULLEY (1 GROOVE, 5 1/8 DIA) (AF)
68	Y (327) W/SP. H/PER. (EXC. A.C.)	14017717	1	12.35	SPACER, PUMP PULLEY (3/4 THICK)
71-72	Y (350) W/SP. H/PER.	14017717	1	12.35	SPACER, PUMP PULLEY (3/4 THICK)
77-82	Y	14017717	1	12.35	SPACER, PUMP PULLEY (3/4 THICK)

3.655 BOLT-BRACE-BRACKET-NUT-SLEEVE-SPACER, Air Injection Reactor Pump

80-81	Y	14017784	1	1.75	BOLT, PUMP PIVOT
68-69	Y (327, 350)	3933093	1	1.80	BRACE
68-74	Y (427, 454)	3921903	1	1.75	BRACE
70-71	Y (350) W/SP. H/PER.	3933093	1	1.80	BRACE
72-79	Y (350)	3933093	1	1.80	BRACE
80-82	Y	14031170	1	1.80	BRACE
66-69	Y (327, 350)	14007354	1	26.25	BRACKET, PUMP
68-74	Y (427, 454)	3919890	1	6.50	BRACKET, PUMP
70-71	Y (350) W/SP. H/PER.	14007354	1	26.25	BRACKET, PUMP
72-79	Y (350)	14007354	1	26.25	BRACKET, PUMP
80-81	Y (305, 350)	14037668	1	22.65	BRACKET, PUMP
82	Y	14037663	1	.42	NUT, PUMP PIV
80-81	Y	10028767	1		SLEEVE, PUMP BRKT (2.277)
82	Y (5.7-8)	10028767	1		SLEEVE, PUMP BRKT (2.277)
66-69	Y (283, 327)	3877600	AR	.44	SPACER (13/32-21/32 X 1/2)
69	Y (427) W/H/PER., ROCH 4 BC	3877600	AR	.44	SPACER (13/32-21/32 X 1/2)
70-71	Y (350) W/SP. H/PER.	3877600	AR	.44	SPACER (13/32-21/32 X 1/2)
72-79	Y (350)	3877600	AR	.44	SPACER (13/32-21/32 X 1/2)
80-81	Y	336028	1	.79	SPACER, AIR INJ PUMP BRKT TO W/PMP (2.277)
80	Y (305, 350) EXC SP. H/PERF.	14023128	1	4.80	SPACER, AIR INJ PUMP PIV
82	Y	336028	1	.79	SPACER, AIR INJ PUMP BRKT (2.277)

3.660 PUMP, Air Injection Reactor Pump

68-71	Y	7806686	1	124.00	PUMP
72-78	Y	7817809	1	N.L.	PUMP
79	Y	7831337	1	134.00	PUMP
80	Y (305H, 350) (EXC SP H/PERF)	7832118	1	136.00	PUMP

FUEL-EXHAUST-CARBURETION

3.660		PUMP, Air Injection Reactor Pump		(Con't)	
80	Y (350) W/SP H/PERF, A.T. (MV4)	7832872	1	136.00	PUMP
81-82	Y	7836920	1	136.00	PUMP
3.665		FAN, Air Injector Reactor Pump			
68-80	Y	7813409	1	5.00	FAN
81-82	Y	7835231	1	5.00	FAN
3.670		CALIBRATOR-CONTROLLER-MODULE-RELAY-SOLENOID-SWITCH-VALVE-VALVE EGR -VALVE KIT,			
		Emission Control System			
<i>NOTE: SEE GROUP 3.671 FOR ATTACHING PARTS</i>					
80	Y (305H) W/CLSD LOOP	1224675	1	33.25	CALIBRATOR, PROM (CODE 1337AL)
81	Y W/A.T., CALIF	1225432	1	68.75	CALIBRATOR, PROM (CODE 81140H)
81	Y W/A.T., FED	1225430	1	68.75	CALIBRATOR, PROM (CODE 81180D)
81	Y W/M.T., CALIF (1ST DES)	1224869	1	68.75	CALIBRATOR, PROM (CODE 5839CF)
81	Y W/M.T., CALIF (2ND DES)	1225433	1	68.75	CALIBRATOR (PROM)(CODE 81040J)
81	Y W/M.T., FED (1ST DES)	1225310	1	68.75	CALIBRATOR, PROM (CODE 6084FN)
81	Y W/M.T., FED (2ND DES)	1225434	1	68.75	CALIBRATOR, PROM (CODE 81080K)
82	Y W/CALIF (1ST DES)	1225555	1	68.75	CALIBRATOR, PROM (CODE 5337ARZ)
82	Y W/CALIF (2ND DES)	1226170	1	68.75	CALIBRATOR, PROM (CODE 0253BPB)
82	Y W/FED	1226096	1	70.75	CALIBRATOR, PROM (CODE 5343ARY, 9405BMU, 0547TS)
80	Y (305H) W/CLSD LOOP	1224670	1	110.00	CONTROLLER, ECM (REMANUFACTURED)
81	Y W/A.T., FED, CALIF	1224810	1	110.00	CONTROLLER, ECM (REMANUFACTURED)
81	Y W/M.T.	1224810	1	110.00	CONTROLLER, ECM (REMANUFACTURED)
82	Y	1220550	1	110.00	CONTROLLER, ECM (REMANUFACTURED)
82	Y	12020423	1	46.00	MODULE, COLD START (E-CELL)
81	Y	14029543	1	9.15	RELAY, AIR CONT VLV
81	Y W/A.T., CLSD LOOP	1620879	1	3.95	RELAY, TRANS SHIFT POS SIG (2.815)
82	Y W/A.T., CLSD LOOP	1626239	1	5.75	RELAY, TRANS SHIFT POS SIG(2.510)
81	Y W/A.T.	1997536	1	33.00	SOLENOID, E.G.R. CONT VLV RLY
81	Y W/M.T.	1997518	1	15.10	SOLENOID, E.G.R. CONT VLV RLY (STMPD DR518)
82	Y	1997618	1	12.40	SOLENOID, EGR CONT VLV RLY
74-77	Y	3030951	1	N.L.	SWITCH, E.G.R. VLV VAC CONT
75	Y	3031549	1	13.30	SWITCH, E.G.R. VLV VAC CONT
76-77	Y	3031385	1	N.L.	SWITCH, E.G.R. VLV VAC CONT
78-80	Y	373510	1	16.85	SWITCH, E.G.R. VLV VAC CONT
80	Y (305)	3031385	1	N.L.	SWITCH, E.G.R. VLV VAC CONT
66-67	Y	5354987	AR	8.20	VALVE, CHECK (L.H.)
66-67	Y	5354988	RH	10.30	VALVE, CHECK
66-67	Y (327)	7033546	1	19.60	VALVE
68-75	Y	22034702	1	9.55	VALVE, AIR CHECK
69-71	Y (350)	17052772	1	28.35	VALVE, DVTR
70-71	Y	7029297	1	27.00	VALVE, DVTR
72	Y	17052772	1	28.35	VALVE, DVTR
72-73	Y (454)	7029190	1	22.95	VALVE, DVTR
73-74	Y (350)	17052772	1	28.35	VALVE, DVTR
75-76	Y	4974265	1	9.90	VALVE, CATALYTIC CONVERTER CHECK
75	Y	7040150	1	18.55	VALVE, DVTR
76-77	Y	4974265	1	9.90	VALVE, CHECK
76	Y	7030760	1	18.55	VALVE, SIL, DVTR
77-78	Y	17054984	1	23.35	VALVE, DVTR
77-80	Y	22034702	1	9.55	VALVE, AIR CHECK
79	Y W/CALIF, ALT. (EXC. SP. H/PER.)	17061293	1	23.35	VALVE, DVTR
79	Y W/SP H/PER.	17061293	1	23.35	VALVE, DVTR
80	Y	22016902	1	9.90	VALVE, AIR INJ CHECK
80	Y (305II) W/CALIF	17058247	1	44.80	VALVE, DVTR SWITCHING
80	Y (350) W/A.T. (MV4)	17063052	1	23.35	VALVE, AIR CONT
80	Y (350) W/M.T. (M18)	17064301	1	25.30	VALVE, AIR CONT
81	Y	17071549	1	91.75	VALVE, AIR INJ CONT (PART NO. STAMPED ON PART)
81	Y	22017478	1	9.90	VALVE, CTLTC CONV AIR INJ CHK
81-82	Y	22040897	1		VALVE, AIR INJ ENG CHK
82	Y	17070882	1	51.75	VALVE, AIR INJ CONT (17070882 STAMPED)
82	Y	17070883	1	42.75	VALVE, AIR INJ SW
82	Y	22036195	1	9.90	VALVE, CTLTC CONV AIR INJ CHK
73	Y (350) (EXC. SP. H/PER.)	17051810	1	30.05	VALVE EGR (PROD 7035172)
73	Y (350) W/M.T. (EXC. SP. H/PER.)	7040318	1	23.90	VALVE EGR
73	Y (350) W/A.T. (EXC. SP. H/PER.)	17051810	1	30.05	VALVE EGR (PROD 7035172)

FUEL-EXHAUST-CARBURETION

3.670 CALIBRATOR-CONTROLLER-MODULE-RELAY-SOLENOID-SWITCH-VALVE-VALVE EGR -VALVE KIT, Emission Control System (Con't)

73-74	Y (350) W/M.T., SP. H/PER.	17051818	1	30.05	VALVE EGR (PROD 7040299)
73	Y (454)	7047066	1	31.75	VALVE EGR
74	Y (350) W/CALIF, M.T. (EXC. SP. H/PER.)	7040599	1	23.90	VALVE EGR
74	Y (350) W/M.T. (EXC. SP. H/PER.)	7041409	1	23.90	VALVE EGR
74	Y (350) W/A.T. (EXC. SP. H/PER., CALIF.)	7041409	1	23.90	VALVE EGR,
74	Y (350) W/CALIF, A.T. (EXC. SP. H/PER.)	17051824	1	30.05	VALVE EGR (PROD 7040437)
74	Y (454) W/CALIF, A.T.	17051841	1	30.05	VALVE EGR (PROD 7041425)
75	Y W/A.T., SP. H/PER. (EXC. CALIF.)	17052670	1	30.05	VALVE EGR (PROD 7043137)
75-76	Y W/CALIF, A.T. (EXC. SP. H/PER.)	17052671	1	30.05	VALVE EGR (PROD 7043139)
75	Y W/M.T. (EXC. SP. H/PER.)	17052669	1	30.05	VALVE EGR (PROD 7043133)
75-76	Y W/M.T., SP. H/PER.	17052670	1	30.05	VALVE EGR (PROD 7043137)
76	Y (350 2BBL) W/AT EXC Z95	17052693	1	30.05	VALVE EGR (PROD 7046154)
76-77	Y W/A.T., SP. H/PER.	17052669	1	30.05	VALVE EGR (PROD 7043133)
76	Y W/FED, A.T. (EXC. CALIF., SP. H/PER.)	17052669	1	30.05	VALVE EGR (PROD 7043133)
77	Y W/A.T., SP. H/PER.	17055386	1	51.10	VALVE EGR (PROD 7044303)
77	Y W/CALIF, ALT.	17055750	1	51.10	VALVE EGR (PROD 17056225)
77	Y W/FED, A.T. (EXC. SP. H/PER.)	17052742	1	30.05	VALVE EGR (PROD 17053034)
77	Y W/M.T. (EXC. SP. H/PER.)	17052669	1	30.05	VALVE EGR (PROD 7043133)
77	Y W/4 SP. (SP/HI SPFED)	17055388	1	51.10	VALVE EGR (PROD 7044307)
78	Y (350) W/M.T.	17052742	1	30.05	VALVE EGR (PROD 17053034)
78	Y W/A.T. (EXC. CALIF, SP. H/PER., ALT.)	17052661	1	30.05	VALVE EGR (PROD 7030806)
78	Y W/A.T., SP. H/PER.	17065078	1	51.10	VALVE EGR (PROD 17056494)
78	Y W/ALT. (EXC. SP. H/PER.)	17065081	1	51.10	VALVE EGR (PROD 17065081)
78	Y W/CALIF	17065080	1	51.10	VALVE EGR (PROD 17056496)
78	Y W/M.T., SP. H/PER.	17065079	1	51.10	VALVE EGR (PROD 17056495)
79	Y (EXC. CALIF., SP. H/PER.)	17065825	1	54.40	VALVE EGR (PROD 17057427)
79	Y (350L) W/ALT	17065819	1	54.40	VALVE EGR (PROD 17057415)
79	Y W/A.T., SP. H/PER.	17065821	1	54.40	VALVE EGR (PROD 17057420)
79	Y W/ALT. (EXC. SP. H/PER.)	17065870	1	54.40	VALVE EGR (PROD 17062066)
79	Y W/CALIF. (EXC. SP. H/PER.)	17065823	1	54.40	VALVE EGR (PROD 17057423)
79	Y W/M.T., SP. H/PER.	17065822	1	54.40	VALVE EGR (PROD 17057421)
80	Y (305)	17066872	1	67.55	VALVE EGR (PROD 17064554)
80	Y (350) W/A.T. (EXC. SP. H/PER.)	17066239	1	75.55	VALVE EGR (PROD 17064059)
80	Y (350) W/M.T. (EXC. SP. H/PER.)	17066862	1	75.55	VALVE EGR (PROD 17062706)
80	Y (350) W/SP. H/PER., A.T.	17066870	1	75.55	VALVE EGR (PROD 17063991)
81	Y (350) W/CALIF, A.T.	17066862	1	75.55	VALVE EGR (PROD 17062706)
81	Y (350) W/M.T., CALIF.	17068196	1	55.40	VALVE EGR (PROD 17062705)
81	Y (350) W/A.T., FED	17068196	1	55.40	VALVE EGR (PROD 17062705)
81	Y W/FED, M.T.	17068164	1	67.95	VALVE EGR (PROD 17075613)
82	Y (5.7) W/CALIF	17068202	1	70.35	VALVE EGR (PROD 17063341)
82	Y (5.7) W/FED	17078423	1	58.75	VALVE EGR (PROD 17082807)
73-74	Y (454)	17052766	1	23.05	VALVE KIT, AIR INJ DVTR

3.671 BOLT-BRACKET-CLIP-GASKET-LOCK-NUT-SCREW-SLEEVE- STUD, Emission Control System

80	Y	11048283	3	.36	BOLT, PUMP PIVOT BRKT
80	Y (305H) W/CLSD LOOP	469088	4	.33	BOLT, W/CLIP, ELEC CONT MOD BRKT (9.667)
81-82	Y	469088	AR	.33	BOLT, W/CLIP, ELEC CONT MOD BRKT (9.667)
81	Y	14031177	1	.58	BOLT, DVTR VLV
81	Y	14029559	1	3.65	BRACKET, MANIF DIFF PRESS SEN
81	Y	14033010	1	2.15	BRACKET, E.G.R. SOL
81-82	Y	14034367	1	.64	BRACKET, ELEK CONT MDL DIAGNOSTIC CONN
82	Y	14037665	1	.42	BRACKET, AIR INJ SW VLV
82	Y	14043228	1	3.65	BRACKET, M.A.P. SEN
82	Y	14043288	1	.71	BRACKET, EGR CONT VLV RLY SOL
82	Y	14047131	1	3.65	BRACKET, ELEK FUEL CONT MDL
82	Y	10028887	AR	.30	CLIP, U-NUT AND STUD (M5X0.8-10 THD) (9.667)
80-82	Y	14015367	1	.52	GASKET, AIR INJ DVTR VLV EL

FUEL-EXHAUST-CARBURETION

3.671 BOLT-BRACKET-CLIP-GASKET-LOCK-NUT-SCREW-SLEEVE- STUD, Emission Control System (Con't)

81-82	Y	14031171	1	40	LOCK, DVTR VLV EL BOLT
81	Y	14003578	AR	35	NUT, MANIF DIFF PRESS SEN & BRKT (4.022)
81	Y W/CLSD LOOP	14003578	1	35	NUT, AIR CONT VLV RLY (4.022)
81	Y W/CLSD LOOP	14003578	1	35	NUT, EGR CONT VLV RLY (4.022)
82	Y	14005097	2	73	NUT, MANIF ABS PRESS SEN BRKT (2.383)
82	Y W/FED, CALIF	14003578	2	35	NUT, EGR VLV(4.022)
82	Y W/FED, CALIF	14003578	2	35	NUT, MANIF ABS PRESS SEN BRKT (4.022)
82	Y W/FED, CALIF	14003578	2	35	NUT, A/CL AIR INT SCOOP DR SOL RLY (4.022)
74-82	Y	1244067	AR	35	SCREW, HEX (1/4-20 X 700 W/CON SPR WAPH)
82	Y	14047182	1	28	SLEEVE, EXH OXY SEN
81	Y	14031107	1	86	STUD, AIR CONT VLV ADAP

3.675 ADAPTER-BRACKET-EXTENSION-HOSE-LOCK-PIPE-HARNES HOSE-PIPE, Air Injection Reactor

NOTE 1: IT MAY BE NECESSARY TO CUT OR REWORK HOSE FOR PROPER FIT.

81	Y	472812	1	2.45	ADAPTER, VAC HOSE
75-78	Y	357055	1	2.95	BRACKET, EXH HT VLV ACTR
79	Y	14014407	1	8.75	BRACKET, W/SHIELD, EFE VLV ACTR HT
66-72	Y (427, 454)	3882805	8	2.00	EXTENSION, EXH GAS COMBUSTION PIPE
73-75	Y (350)	3877484	8	2.30	EXTENSION, PIPE
73-75	Y (454)	3882805	8	2.00	EXTENSION, PIPE
77-78	Y W/ALT., CALIF. (EXC. SP. H/PER.)	3877484	6	2.30	EXTENSION, PIPE
77-78	Y W/SP. H/PER.	3877484	6	2.30	EXTENSION, PIPE
78	Y W/ALT., CALIF.	464657	AR	1.85	EXTENSION, PIPE
79	Y (350) W/CALIF. ALT. (EXC. SP. H/PER.)	14007363	6	1.20	EXTENSION, PIPE
79	Y (350) W/SP. H/PER	14007363	6	1.20	EXTENSION, PIPE
80-81	Y (305, 350)	464657	8	1.85	EXTENSION, PIPE
68	Y (EXC. 427)	1608761	LH	5.90	HOSE, PUMP TO OTLT (NOTE 1)
73-75	Y	3905067	1	8.45	HOSE, C/CASE VENT/TO A/CL
80	Y (305H)	14015515	1	3.25	HOSE, DVTR VLV A/CL
80	Y (305H)	14020681	LH	7.65	HOSE, AIR INJ ENG CHK VLV
80	Y (305H)	14020682	RH	4.00	HOSE, DVTR VLV TO CHK VLV
80	Y (350) W/M.T. (M18)	14023113	1	4.10	HOSE, CONT VLV TO A/CL
80-81	Y (350) W/M.T. (M18)	14023115	1	2.30	HOSE, CONT VLV FLTR
81	Y	14020681	LH	7.65	HOSE, AIR INJ ENG CHK VLV
81-82	Y	14020682	RH	4.00	HOSE, CVTR VLV TO CHK VLV
81	Y	14031169	1	4.00	HOSE, AIR CTLTC CONV
81	Y W/M.T	14031168	1	3.55	HOSE, AIR CONT VLV PIPE
82	Y	14037666	1	1.50	HOSE, AIR INJ SW VLV
82	Y	14037667	1	3.25	HOSE, AIR INJ CONT VLV TO A/CL
79	Y W/CALIF., ALT. (EXC. SP. H/PER.)	14017783	1	.43	LOCK, DVTR VLV EL BOLT
79	Y W/SP. H/PER.	14017783	1	.43	LOCK, DVTR VLV EL BOLT
66	Y (EXC. 427 H/PER.)	333831	LH	19.30	PIPE, EXH GAS COMBUSTION (NOTE 1)
66	Y (EXC. 427 H/PER.)	333832	PH	12.95	PIPE, INJECTION
66-68	Y (327)	333832	RH	12.95	PIPE, INJECTION
66-69	Y (427, 454)	3889377	LH	24.65	PIPE, INJECTION
67-69	Y (327, 350)	333831	LH	19.30	PIPE, EXH GAS COMBUSTION (NOTE 1)
69	Y (350)	333832	RH	12.95	PIPE, INJECTION
70-71	Y (350) W/SP. H/PER.	333831	LH	19.30	PIPE, EXH GAS COMBUSTION (NOTE 1)
70-71	Y (350) W/SP. H/PER.	333832	RH	12.95	PIPE, INJECTION
71	Y (454) W/SP. H/PER.	333823	LH	19.10	PIPE, INJECTION
71	Y (454) W/SP. H/PER.	333824	RH	18.00	PIPE, INJECTION
72	Y	333832	RH	12.95	PIPE, INJECTION
72-75	Y (350)	333831	LH	19.30	PIPE, EXH GAS COMBUSTION (NOTE 1)
72	Y (454)	333823	LH	19.10	PIPE, INJECTION
72-74	Y (454)	333824	RH	18.00	PIPE, INJECTION
73-74	Y (350)	333832	RH	12.95	PIPE, INJECTION
73-74	Y (454)	333823	LH	19.10	PIPE, INJECTION
75-76	Y	360452	1	8.55	PIPE, CONV AIR
77-80	Y	354376	RH	13.70	PIPE, A.I.R.
77-80	Y	458703	LH	21.40	PIPE, A.I.R.
78-79	Y W/CALIF, ALT (EXC. SP. H/PER.)	343763	LH	20.15	PIPE, INJECTOR
80	Y (350) W/M.T. (M18)	14021878	RH	20.80	PIPE, A.I.R.
81	Y	14030108	1	8.55	PIPE, AIR CTLTC CONV

WAREHOUSING AND DISTRIBUTION DIVISION OF GENERAL MOTORS CORPORATION — CHEVROLET—14A

FUEL-EXHAUST-CARBURETION

3.675 ADAPTER-BRACKET-EXTENSION-HOSE-LOCK-PIPE-HARNESS HOSE-PIPE, Air Injection Reactor (Con't)

81	Y	14031166	1	7.05	PIPE, AIR CONT VLV
82	Y	14037664	1	5.45	PIPE, DCLR VLV OTLT
82	Y	14044536	1	19.10	PIPE, CTLTC CONV AIR INJ

3.680 CLAMP-CLIP-CONNECTOR-ELBOW-FILTER-FITTING-GASKET-LOCK-PLUG-SPACER-TUBE, Air Injection Reactor and Exhaust Gas Recirculation

NOTE 1: THREADS MUST BE COVERED WITH TEFLON TAPE.

73-74	Y (350)	353090	1	2.90	CLAMP, E.G.R. VLV
75-80	Y	22505116	1	3.45	CLAMP, CTLTC CONV AIR INJ PIPE (U-BOLT TYPE)
81	Y	14030110	1	.99	CLAMP, AIR CTLTC CONV PIPE UPR
81	Y	14030111	1	.99	CLAMP, CTLTC CONV AIR INJ PIPE
82	Y	14044532	2	.97	CLAMP, CTLTC CONV AIR INJ PIPE
82	Y	14044533	2	.97	CLAMP, CTLTC CONV AIR INJ PIPE
74-81	Y	2043150	1	1.05	CLIP, A/C COMPR FITTING (1 1/32 X 1 PC)
77-82	Y	1257393	1	.38	CLIP, EFE VAC PIPE TO CYL HD
81-82	Y	8917236	AR	2.70	CLIP, ELEC CONT MDL HARN (2.559)
72-76	Y	3951346	1	5.20	CONNECTOR, AIR INJ DVTR VLV
78-80	Y	469550	1	.52	CONNECTOR, EXH EMIS CONT HOSE (3 WAY)
81	Y W/A.T. (MX3)	14034063	1	.52	CONNECTOR, EGR CONT VLV
68	Y (327)	7816979	1	3.75	ELBOW, PUMP
69	Y (EXC. 427)	3947728	1	9.00	ELBOW, DVTR VLV MT
70-71	Y (350) W/SP. H/PER.	3947728	1	9.00	ELBOW, DVTR VLV MT
72-75	Y (350)	3947728	1	9.00	ELBOW, DVTR VLV MT
77-78	Y (350L)	14010294	1	5.20	ELBOW, DVTR VLV
79	Y W/CALIF. ALT (EXC. H/PER)	14010294	1	5.20	ELBOW, DVTR VLV
79	Y W/H/PER	14010294	1	5.20	ELBOW, DVTR VLV
80	Y	14010294	1	5.20	ELBOW, DVTR VLV
81-82	Y	14026170	1	9.00	ELBOW, DVTR VLV
80	Y (350) W/M.T. (M18)	25040275	1	33.82	FILTER, AIR CONT VLV (PAC A764C)
78-82	Y	474793	1	5.20	FITTING, FUEL VAPOR PIPE HOSE (NOTE 1)
68	Y	3942534	AR	.45	GASKET, DVTR VLV GSKT
69	Y (427) W/H/PER.	3942534	AR	.45	GASKET, DVTR VLV GSKT
70-79	Y (350, 454)	3942534	AR	.45	GASKET, DVTR VLV GSKT
73-74	Y (454)	353086	1	.18	GASKET, E.G.R. VLV
75-78	Y (EXC. ALT., CALIF.)	343752	1	1.63	GASKET, E.G.R. VLV
77-78	Y W/ALT., CALIF. (EXC. SP. H/PER.)	14031369	2	.35	GASKET, E.G.R. VLV
79-81	Y (305, 350)	14031369	2	.35	GASKET, E.G.R. VLV
82	Y (5.7)	14031369	1	.35	GASKET, E.G.R. VLV
79	Y	11048283	AR	.36	LOCK, DVTR
79-82	Y W/A.I.R.	14015366	AR	.30	LOCK, AIR INJ CONT VLV BOLT
73-74	Y (454)	9427697	1	.42	PLUG, E.G.R.
77-78	Y W/ALT., CALIF. (EXC. SP. H/PER.)	14031368	2	1.65	SPACER, E.G.R. VLV
79-80	Y	14031368	1	1.65	SPACER, E.G.R. VLV
79-80	Y (305, 350)	14031368	1	1.65	SPACER, EGR VLV
81	Y (350)	14031368	1	1.65	SPACER, E.G.R. VLV
73-74	Y (454)	353043	1	1.85	TUBE, EXH GAS RTN

3.682 SENSOR, Emission Control Sensors

80	Y (305)	8993311	1	38.20	SENSOR, COOLANT TEMP
80	Y (305H)	5613719	1	28.57	SENSOR, OXYGEN(2 WIRE)
31	Y	5613719	1	28.57	SENSOR, OXYGEN(2 WIRE)
81	Y	16006834	1	58.50	SENSOR, MANIF DIFF PRESS
81-82	Y	25036092	1	N.L.	SENSOR, COOLANT TEMP
82	Y	5613959	1		SENSOR, OXYGEN(1 WIRE)
82	Y	16017460	1	87.35	SENSOR, M.A.P.
82	Y	25007278	1	47.55	SENSOR, SPEEDO BUFFER
82	Y W/CLSD LOOP	1997463	1	N.L.	SENSOR, ESC KNOCK

3.685 BEAD KIT-CONVERTER-PLUG-POUCH-REPAIR KIT, Catalytic Converter

75-79	Y	5498995	1	96.50	BEAD KIT, CATALYST
80	Y (305H)	8999449	1	137.00	BEAD KIT, CATALYST
80	Y (350)	8998992	1	128.00	BEAD KIT, CATALYST
75	Y	8998109	1	253.00	CONVERTER
78-79	Y	6498393	1	220.00	CONVERTER
80	Y (305H)	8999035	1	289.00	CONVERTER, CTLTC
80	Y (350)	8998898	1	265.00	CONVERTER
81	Y	8999035	1	289.00	CONVERTER, CTLTC

WAREHOUSING AND DISTRIBUTION DIVISION OF GENERAL MOTORS CORPORATION — CHEVROLET—14A

FUEL-EXHAUST-CARBURETION

3.685 BEAD KIT-CONVERTER-PLUG-POUCH-REPAIR KIT, Catalytic Converter (Con't)

82	Y	25056150	1	354.00	CONVERTER, CTLTC
76	Y	8990221	1	3.65	PLUG, FILL
77-81	Y	8998555	1	6.75	PLUG, FILL (THREADLESS)
75-81	Y	12300374	AR	N.L.	POUCH, POLYETHYLENE (USED CATALYST CONTAINER)
75-81	Y W/250 CONV	25056299	1	54.50	REPAIR KIT, CTLTC CONV BOTTOM
75-81	Y W/260 CONV	8998484	1	46.00	REPAIR KIT, BOTTOM PAN

3.690 HANGER-SHIELD-SUPPORT, Catalytic Converter

82	Y	14044539	1	1.50	HANGER, CTLTC CONV
76-79	Y	357771	1	37.00	SHIELD, HT
80-81	Y	14028578	1	35.75	SHIELD, HT
82	Y	14038299	1	12.55	SHIELD, HT
82	Y	14033714	1	1.50	SUPPORT, HNGR

NOTE: REFER TO CHART FOR MUFFLERS AT THE END OF 3.000 GROUP.
 NOTE: ALL SOUND MODIFYING DEVICES LISTED WITHIN THIS CATALOG GROUP ARE CERTIFIED TO COMPLY WITH CALIFORNIA AND FLORIDA EXHAUST SYSTEM CERTIFICATION REGULATIONS WHEN U

3.704 BRACKET-HANGER-HANGER KIT-INSULATOR-NUT-RETAINER-WASHER, Exhaust Muffler

68-72	Y (EXC. SIDE MT. EXH.)	3913898	2	3.65	BRACKET, MUFF AND RR EXH
73	Y	330937	LH	3.65	BRACKET, MUFF AND RR EXH PIPE ARM
73	Y	330938	RH	3.65	BRACKET, MUFF AND RR EXH PIPE ARM
74	Y	339712	2	4.05	HANGER, TAIL PIPE
75	Y	356956	1	14.05	HANGER, RR CONV
75-77	Y	359960	RH	6.00	HANGER KIT, TAIL PIPE
75-77	Y	359961	LH	6.00	HANGER KIT, TAIL PIPE
65-67	Y W/SIDE MT. EXH.	3863849	2	1.85	INSULATOR, EXH AND TAIL PIPE
69	Y W/SIDE MT. EXH.	3949190	4	1.05	INSULATOR, MUFF AND TAIL PIPE
67-82	Y	3792287	AR	.60	NUT, TUB ANC (BLIND SLEV)
53-64	Y	3751443	AR	.80	RETAINER, TAIL PIPE AND EXH PIPE (ALL LOCATIONS)
65-67	Y W/SIDE MT. EXH.	3863850	4	4.90	RETAINER, EXH AND TAIL PIPE
69	Y W/SIDE MT. EXH.	3949191	2	1.65	RETAINER, MUFF, EXH AND TAIL PIPE
64-81	Y	1323935	AR	.40	WASHER, INSL (1 1/32" X 1 1/4" X 3/16" PL.)

3.705 BEZEL-EXTENSION -FLANGE-SHIELD, Exhaust Tail Pipe

NOTE: REFER TO CHART FOR TAILPIPES AT THE END OF GROUP 3.000.

66-67	Y (EXC. SIDE MT. EXH.)	3892225	LH	18.80	BEZEL
66-67	Y (EXC. SIDE MT. EXH.)	3892226	RH	18.80	BEZEL
68-69	Y	3922495	LH	26.00	BEZEL
68-69	Y	3922496	RH	26.00	BEZEL
70-73	Y	3966543	LH	26.00	BEZEL
70-73	Y	3966544	RH	26.00	BEZEL
56-58	Y (1ST DESIGN)	3740295	2	13.30	EXTENSION (19° DEV LENGTH) (STAMPED 3740295)
58-60	Y (2ND DESIGN)	3762440	2	13.30	EXTENSION (19° DEV LENGTH) (STAMPED 3762440)
70-73	Y	3966547	LH	6.10	FLANGE, BEZEL MT
70-73	Y	3966548	RH	6.10	FLANGE, BEZEL MT
75-77	Y	356918	1	21.40	SHIELD, RR EXT C/OVR PIPE

3.706 BRACKET-BRACKET KIT-HANGER-HANGER KIT-WASHER, Exhaust Mounting

NOTE 1: USE OLD PART AS GUIDE TO GET PROPER ATTACHING HOLE AND LENGTH.

53-82	Y	3996543	AR	3.45	BRACKET, W/INSULATOR (USED W/1 7/8" CLAMP AND 1 3/4" X 5 1/2" INSUL.) (NOTE 1)
61-82	Y	3784461	2	1.70	BRACKET, RR
78-82	Y	458967	2	4.35	BRACKET, W/INSULATOR
53-82	Y	360022	1	4.60	BRACKET KIT
76-78	Y	357781	1	10.90	HANGER, EXH C/OVR RR PIPE
78-82	Y	458970	2	.91	HANGER
75-79	Y	360023	1	6.40	HANGER KIT, RESO AND TAIL PIPE
75-79	Y	360024	1	12.10	HANGER KIT, EXH
60-82	Y	6255640	AR	.21	WASHER (.390 I.D. X .810 O.D. X .124 TK.)

3.708 BOLT-CLAMP -LOCK-U BOLT -U BOLT KIT, Exhaust System Attaching

77-81	Y	3949198	AR	2.30	BOLT, FRT PIPE U
53-82	Y	2378617	1	4.80	CLAMP (3")

FUEL-EXHAUST-CARBURETION

3.708		BOLT-CLAMP -LOCK-U BOLT -U BOLT KIT , Exhaust System		Attaching (Con't)	
53-82	Y	2378618	1	4.90	CLAMP (3 1/2")
53-82	Y	2378620	1	3.90	CLAMP (4")
59-82	Y	2378615	AR	1.60	CLAMP, W/U-BOLT (1 3/4 IN CLAMP)
59-82	Y	9793545	AR	1.55	CLAMP (2.25 DIA.)
64-82	Y	3633128	AR	1.95	CLAMP (2.50 IN)
64-55	Y (EXC. H/PER., SP. H/PER., F.I., 396)	3853723	1	4.05	CLAMP, FRT EXH
64-65	Y (P.G. W/H/PER)	3853723	1	4.05	CLAMP, FRT EXH
64-65	Y W/H/PER. (EXC. P.G., SIDE MT. EXH.)	3853725	1	4.60	CLAMP, FRT EXH
64-65	Y W/SP. H/PER., F.I. (EXC. SIDE MT. EXH.)	3853725	1	4.60	CLAMP, FRT EXH
65-82	Y	1240744	AR	1.80	CLAMP, W/NUT BOLT U (50.8 MM)
65-82	Y	1259609	AR	1.75	CLAMP, W/NUT BOLT U(57.5 MM)
66-67	Y (327) W/P.G. (EXC. SIDE MT. EXH)	3853723	1	4.05	CLAMP, FRT EXH
66-68	Y W/M.T. (EXC. SIDE MT. EXH.)	3853725	1	4.60	CLAMP, FRT EXH
68	Y W/T.H.	356989	1	9.80	CLAMP, FRT EXH
69	Y (EXC. T.H. 400, SIDE MT. EXH.)	3853723	1	4.05	CLAMP, FRT EXH
69-72	Y W/A.T. (EXC. SIDE MT. EXH., 454)	3952739	1	9.05	CLAMP, FRT EXH
70-75	Y (350) W/M.T. (EXC. SP. H/PER)	3853723	1	4.05	CLAMP, FRT EXH
70-75	Y (350) W/M.T., SP. H/PER	3853725	1	4.60	CLAMP, FRT EXH
70-74	Y (454) W/A.T.	356989	1	9.80	CLAMP, FRT EXH
70-75	Y (454) W/M.T.	3853725	1	4.60	CLAMP, FRT EXH
73-75	Y (350) W/A.T. (EXC. SP. H/PER.)	3952739	1	9.05	CLAMP, FRT EXH
74-75	Y (350) W/A.T., SP. H/PER.	356989	1	9.80	CLAMP, FRT EXH
74-77	Y W/M40	356989	1	9.80	CLAMP, EXH PIPE
76	Y	357784	1	2.60	CLAMP, EXH C/OVR RR PIPE HANGER
76-77	Y (EXC. M40)	357779	1	7.60	CLAMP, EXH PIPE
78-75	Y	357779	1	7.60	CLAMP, EXH PIPE
78-81	Y	473039	1	2.60	CLAMP, EXH C/OVR RR PIPE HANGER (5.7" LG)
78-81	Y	1259610	AR	1.80	CLAMP (44.5 MM)
68	Y W/T.H.	3937866	1	.58	LOCK, FRT EXH PIPE CLAMP MUFF TAIL PIPE
69-78	Y W/A.T. (EXC. SIDE MT. EXH.)	3937866	1	.58	LOCK, FRT EXH. PIPE CLAMP
53-69	Y	3754882	1	1.75	U BOLT (1 7/8")
53-82	Y	3837878	1	2.10	U BOLT (1 1/2")
63-65	Y W/H/PER., SP. H/PER., F.I. (EXC. SIDE MT. EXH., P.G.)	3949198	2	2.30	U BOLT, FRT EXH PIPE CLAMP (5/16"-18)
66-67	Y (EXC. P.G., SIDE MT. EXH.)	3949198	2	2.30	U BOLT, FRT EXH PIPE CLAMP (5/16"-18)
68	Y	3949198	2	2.30	U BOLT, FRT EXH PIPE CLAMP (5/16"-18)
69	Y (EXC. SIDE MT. EXH.)	3952741	AR	.75	U BOLT, FRT EXH PIPE CLAMP MUFF TAIL PIPE
70-81	Y	3949198	AR	2.30	U BOLT, FRT EXH PIPE CLAMP (5/16"-18)
70-75	Y (350) W/SP. H/PER.	3949198	2	2.30	U BOLT, FRT EXH PIPE CLAMP (5/16"-18)
70-71	Y (350) W/M.T. (EXC. SP. H/PER.)	3952741	AR	.75	U BOLT, FRT EXH PIPE CLAMP MUFF TAIL PIPE
72-77	Y (350) (EXC. SP. H/PER.)	3952741	AR	.75	U BOLT, FRT EXH PIPE CLAMP MUFF TAIL PIPE
55-82	Y	352729	AR	7.15	U BOLT KIT (2")
55-82	Y	352731	AR	5.55	U BOLT KIT (2 1/2")

3.724 GASKET KIT-CARBURETOR, Carburetor

NOTE: REFER TO CHARTS END OF GROUP 3.000 FOR GROUP 3.724 THRU 3.859 1978 AND LATER CARBURETOR'S AND COMPONENT PARTS.

71-72	Y W/ROCH. 4BC	7041872	1	10.00	GASKET KIT
73	Y	7046779	1	10.00	GASKET KIT
74	Y	17050525	1	10.00	GASKET KIT
75-77	Y	17052991	1	11.95	GASKET KIT

3.725 CARBURETOR, Rochester

NOTE: REFER TO CHARTS END OF GROUP 3.000 FOR GROUP 3.724 THRU 3.859 1978 AND LATER CARBURETOR'S AND COMPONENT PARTS.

NOTE: ALL 1966 THRU 1971 ROCHESTER CARB. WITH 4BC ARE QUADRA-JETS.

68	Y (327)	7046904	1	211.60	CARBURETOR
69	Y (350)	7046904	1	211.60	CARBURETOR
69	Y W/A.T. (M40), 4BC	7046904	1	211.60	CARBURETOR
70	Y (350) (EXC. H/PER.)	17051998	1	212.40	CARBURETOR

FUEL-EXHAUST-CARBURETION

3.725 CARBURETOR, Rochester (Con't)					
70	Y (350) W/H/PER.	7046905	1	245.45	CARBURETOR
71	Y (350)	17054705	1	211.60	CARBURETOR
71	Y (454) W/H/PER.	17054696	1	245.45	CARBURETOR
72	Y (350)	17054709	1	211.60	CARBURETOR
73	Y (350)	17054698	1	211.60	CARBURETOR
73	Y (454)	17054699	1	211.60	CARBURETOR
74	Y (350) (EXC. SP. H/PER., CALIF.)	17054700	1	211.60	CARBURETOR
74	Y (350) CALIF. (EXC. SP. H/PER.)	17054712	1	211.60	CARBURETOR
74	Y (350) W/M.T., SP. H/PER.	17050591	1	207.00	CARBURETOR
74	Y (350) W/A.T., SP. H/PER.	17054701	1	245.45	CARBURETOR
74	Y (454) W/A.T., CALIF.	7047405	1	178.00	CARBURETOR
74	Y (454) W/A.T. (EXC. CALIF.)	17054702	1	211.60	CARBURETOR
75	Y (350) W/A.T., SP. H/PER.	17052564	1	246.00	CARBURETOR
75	Y (350) W/M.T. (EXC. SP. H/PER.)	17052579	1	291.00	CARBURETOR
75	Y (350) W/A.T. (EXC. SP. H/PER.)	17054703	1	272.60	CARBURETOR
75	Y (350) W/M.T., SP. H/PER.	17054706	1	317.65	CARBURETOR
76	Y (350) W/A.T., H/PER.	17052910	1	293.00	CARBURETOR
76	Y (350) W/M.T., CALIF. (EXC. H/PER.)	17052923	1	335.00	CARBURETOR
76	Y (350) W/M.T., H/PER. (EXC. CALIF.)	17052925	1	359.00	CARBURETOR
76	Y (350) W/M.T., CALIF.	17052947	1	389.00	CARBURETOR
76	Y (350) W/A.T. (EXC. H/PER.)	17054704	1	273.90	CARBURETOR
77	Y (350) W/A.T. (M38), A.C., FED.	17055122	1	273.50	CARBURETOR (PROD 17057204-02)
77	Y (350) W/M.T. (M20)	17055123	1	389.00	CARBURETOR (PROD 17057203)
77	Y (350) W/A.T. (M38) CALIF. (EXC. A.C.)	17055124	1	317.70	CARBURETOR (PROD 17057502-04)
77	Y (350) W/A.T. (M40), A.C., FED.	17055128	1	317.70	CARBURETOR (PROD 17057228)
77	Y (350) W/A.T. (M38) ALT (EXC. A.C.)	17055137	1	317.70	CARBURETOR (PROD 17057582-84)
77	Y (350) W/A.T. (M40) (EXC. A.C.)	17055160	1	336.00	CARBURETOR (PROD 17057210)
77	Y (350) W/M.T., H/PER.	17055161	1	389.00	CARBURETOR (PROD 17057211)
3.725A REPAIR KIT, carburetor (rochester) MAJOR					
NOTE: REPAIR KITS CONSISTS OF NECESSARY PARTS TO OVERHAUL 1 CARBURETOR INCLUDING JETS, NOZZLES, INTAKE NEEDLE AND SEAT, PUMP, LEVER, ETC.					
72	Y (454) W/4BC	7041871	1	32.25	REPAIR KIT (W/7041204-5-7042216-17-7047116)
73	Y	7039259	1	12.70	REPAIR KIT (W/7043200-01-02-03-12-13)
73	Y (454) W/A.T.	7046777	1	34.25	REPAIR KIT (W/7043200)
73	Y (454) W/M.T.	7046778	1	36.00	REPAIR KIT (W/7043201)
74	Y (454) W/A.T.	17050563	1	32.25	REPAIR KIT (W/7047403-5)
74	Y (454) W/M.T.	17050564	1	32.25	REPAIR KIT (W/7047401)
75	Y	17051931	1	29.00	REPAIR KIT
76	Y W/H/PER.	17053998	1	36.25	REPAIR KIT
77	Y W/A.T. (M38), FED.	17053998	1	36.25	REPAIR KIT
77	Y W/A.T. (M40)	17055200	1	36.25	REPAIR KIT
77	Y W/A.T. (M38), ALT., CALIF.	17055322	1	64.75	REPAIR KIT
77	Y W/M.T.	17053998	1	36.25	REPAIR KIT
3.725B REPAIR KIT, Carburetor (Rochester) Minor					
NOTE: REPAIR KITS (MINOR) CONSIST OF PUMP, NEEDLE AND SEAT UNIT, AIR HORN GASKET, THERMOSTAT HOUSING COVER GASKET, CLIP AND GAGE.					
68	Y (327)	7039133	1	12.70	REPAIR KIT (VITON) (W/7028207-08-19)
69	Y (350) W/4BC	7039149	1	12.70	REPAIR KIT (VITON) (W/7029202-03-07)
70	Y (350)	7039174	1	12.70	REPAIR KIT (W/7040202-3-7-0502-3-7-7006-10)
71	Y (350)	7039202	1	12.70	REPAIR KIT (W/7041212-13-7047120)
71-72	Y (454)	7039222	1	12.70	REPAIR KIT (W/7041204-5-2216-17-7047116)
72	Y (350)	7039223	1	12.70	REPAIR KIT (W/7042202-03)
74	Y	7039268	1	N.L.	REPAIR KIT
75	Y	7039272	1	16.85	REPAIR KIT
76-77	Y	7039299	1	N.L.	REPAIR KIT
3.725C CARBURETOR, Carter					
64-65	Y (327) W/H/PER.	3851761	1	167.00	CARBURETOR (AFB 3720-S-2721-S)

FUEL-EXHAUST-CARBURETION

3.725E CARBURETOR , Holly

64-65	Y (327) W/SP./H/PER	3849804	1	296.00	CARBURETOR (R-2818A) (MODEL 4150C)
66	Y (EXC. 427 H/PER.)	3890499	1	296.00	CARBURETOR (R-3605A)
66	Y (327) (EXC. A.I.R.)	3884505	1	296.00	CARBURETOR (R-3367A)
67	Y (327) (EXC. A.I.R.)	3906631	1	318.00	CARBURETOR (R-3810A)
67-69	Y W/3/2BC	3902353	2	177.00	CARBURETOR, SECONDARY (FRT AND RR) (R-3659)
68-69	Y (427) W/3/2BC, M.T. (427) W/H.D., 4-SPD. (2ND DESIGN)	3940929	1	272.00	CARBURETOR, PRIMARY (R-4055-1A)
72	Y (350)	3993263	1	328.00	CARBURETOR (R-6239A)

3.725F REPAIR KIT, Carburetor (holly) major

NOTE: REPAIR KITS CONSIST OF NECESSARY PARTS TO OVERHAUL 1 CARBURETOR INCLUDING JETS, NOZZLES, INTAKE NEEDLE AND SEAT, PUMP, LEVER, ETC.

67-69	Y W/3/2BC	3914110	2	22.45	REPAIR KIT, FRT AND RR (W/3902353) (85-R-2735)
-------	-----------	---------	---	-------	--

3.725G REPAIR KIT, Carburetor (Holly) Minor

NOTE: REPAIR KITS (MINOR) CONSIST OF PUMP, NEEDLE AND SEAT UNIT, AIR HORN GASKET, THERMOSTAT HOUSING COVER GASKET, CLIP AND GAGE.

NOTE: NO MINOR REPAIR KIT RELEASED FOR FRT OR RR CARBS.(3902353). USE GASKET UNIT 3914109 AND NEEDLE UNIT 3889775 FOR MINOR REPAIR KIT APPLICATION.

57-64	Y W/F.I.	7017297	1	94.75	REPAIR KIT, FUEL INJ
-------	----------	---------	---	-------	----------------------

3.726 BAFFLE-GASKET-INSULATION-INSULATOR -STUD, Carburetor to Manifold

NOTE: REFER TO CHARTS END OF GROUP 3.000 FOR GROUP 3.724 THRU 3.859 1978 AND LATER CARBURETORS AND COMPONENT PARTS.

62-65	Y (327) W/H/PER.	3799354	1	2.40	BAFFLE, HEAT RADIATION
66	Y (EXC. SP. H/PER.)	3884575	1	2.60	BAFFLE, HEAT RADIATION (HOLLEY OR CARTER)
67	Y (327) (EXC. SP. H/PER.)	3884575	1	2.60	BAFFLE, HEAT RADIATION (HOLLEY OR CARTER)
69	Y	3884576	1	2.60	BAFFLE, HEAT RADIATION (ROCH.)
56-61	Y (283) W/4BC	3751050	1	.98	GASKET
62-65	Y (327) (EXC. H/PER., SP./H/PER., F.I.)	3743282	1	.60	GASKET
62-65	Y (327) W/H/PER.	3829012	1	.65	GASKET
65	Y (396) W/SP. H/PER.	682914	1	.58	GASKET
66	Y (427) W/SP. H/PER.	682914	1	.58	GASKET
67	Y (327) (EXC. SP. H/PER.)	3890495	1	.71	GASKET (HOLLEY AND CARTER)
67-69	Y (427) W/H.D.	682914	1	.58	GASKET
68-69	Y W/4BC (EXC. H.D., H/PER.)	3884574	1	.58	GASKET (ROCH.)
69	Y (350) W/SP. H/PER.	682914	1	.58	GASKET
70	Y (EXC. E.E.C., SP. H/PER.)	3967470	1	.57	GASKET
70	Y (350) W/SP. H/PER. (EXC. E.E.C.)	682914	1	.58	GASKET
70-71	Y (350) W/E.E.C., SP. H/PER.)	3999198	1	7.30	INSULATION, CARB HEAT
70	Y W/E.E.C. (EXC. SP. H/PER.)	3969837	1	6.90	INSULATION, CARB HEAT
62-65	Y (327) W/H/PER.	3828231	1	6.05	INSULATOR (W/1-1/4" X 3/8" EXT. TAB)
72-73	Y (350) (EXC. SP. H/PER.)	3998912	1	2.91	INSULATOR, CARB HEAT
72	Y (350) W/SP. H/PER.	3999259	1	7.55	INSULATOR, CARB HEAT
74-77	Y	354310	1	3.80	INSULATOR, CARB HEAT
82	Y (5.7-8)	14044659	3	.76	STUD, THROT BODY INJ (5/16-18 BOTH ENDS)

3.729 BODY, Carburetor

NOTE: REFER TO CHARTS END OF GROUP 3.000 FOR GROUP 3.724 THRU 3.859 1978 AND LATER CARBURETORS AND COMPONENT PARTS.

72	Y (350) W/ROCH. 4BC	7041878	1	75.65	BODY, THROTTLE (W/7042202-03)
73	Y (350) W/A.T. (EXC. SP. H/PER.)	7046875	1	79.75	BODY, THROTTLE
74	Y (350) W/A.T. (EXC. SP. H/PER.)	17050572	1	85.50	BODY, THROTTLE (W/17050580)
75	Y (EXC. SP. H/PER.)	17052239	1	85.50	BODY, THROTTLE (W/704522-23)
75	Y W/SP. H/PER.	17051923	1	72.40	BODY, THROTTLE (W/7045210-11)
76	Y (350-4BC) W/A.T. (EXC. H/PER.)	17051921	1	72.40	BODY, THROTTLE
76	Y (350-4BC) W/M.T.	17051923	1	72.40	BODY, THROTTLE
76	Y (350-4BC) W/A.T., H/PER	17051923	1	72.40	BODY, THROTTLE
77	Y W/A.T. (M40), SP. H/PER.	17051923	1	72.40	BODY, THROTTLE
77	Y W/A.T. (M38)	17054405	1	75.65	BODY, THROTTLE
77	Y W/M.T.	17054406	1	75.65	BODY, THROTTLE

MICROFICHE INDEX

GROUP 3.000

FICHE 2 OF 6

GROUP DESCRIPTION	STARTING GRID LOCATION	
	PARTS ILLUSTRATIONS	
- INTRODUCTION	A-6	I-2
- GENERAL INFORMATION	A-2	I-2
- ALPHABETICAL INDEX	C-11	N.A.
- INDEX FOR ADDITIONAL INFORMATION	A-5	N.A.
3.000 FUEL - EXHAUST - CARBURETION	E-2	I-6
- CARBURETOR CHARTS	F-20	N.A.
- OUT OF FICHE CALLS	N.A.	N-9

F-1

FUEL-EXHAUST-CARBURETION

3.730 HORN-SCREW, Carburetor Air

NOTE: REFER TO CHARTS END OF GROUP 3.000 FOR GROUP 3.724 THRU 3.859 1978 AND LATER
CARBURETORS AND COMPONENT PARTS.

73	Y	17054699	1	211.00	HORN
74	Y (350) (EXC. SP. H/PER.)	7048938	1	77.25	HORN
76	Y (350) (EXC. H/PER.)	17052990	1	79.50	HORN
76	Y (350) W/H/PER.	17053814	1	79.50	HORN
77	Y (EXC. M40, H/PER.)	17052990	1	79.50	HORN
77	Y W/A.T. (M40), H/PER.	17053814	1	79.50	HORN
64-66	Y (327, 396) W/SP. H/PER.	2367996	AR	.28	SCREW, FLOAT TO AIR HORN
67-72	Y W/HOLLEY CARB.	2367996	AR	.28	SCREW, FLOAT TO AIR HORN
68-77	Y	7029912	AR	.60	SCREW, TO AIR HORN (10-32 X 3)
68-77	Y	7031105	2	.26	SCREW, TC AIR HORN (8-32 X 1/2")
76-77	Y (350) W/4BC	7014699	5	.24	SCREW, CARB AIR HORN

3.734 BOWL-CAP-INSERT, Carburetor Float

NOTE: REFER TO CHARTS END OF GROUP 3.000 FOR GROUP 3.724 THRU 3.859 1978 AND LATER
CARBURETORS AND COMPONENT PARTS.

NOTE: ALL BODY ASMS FOR HOLLEY CARBS ARE FUEL METERING BODIES LOCATED BETWEEN THE
FUELBOWL AND THE AIR HORN.

67	Y W/HOLLEY 4BC	3966913	1	20.00	BOWL, SECD (W/3906631-3-5-7)
70	Y (350) W/ROCH. 4BC (EXC. H/PER.)	7036839	1	75.75	BOWL (W/7040202-3-13-0502-3-13)
72	Y (350) W/ROCH. 4BC	7041876	1	78.75	BOWL (W/7042202-03)
73	Y (350) (EXC. SP. H/PER.)	7046826	1	78.50	BOWL
74	Y (454) W/A.T. (EXC. CALIF.)	17050521	1	77.00	BOWL
75	Y (350) W/H/PER. (EXC. A.C.)	17052962	1	87.95	BOWL
75	Y (350) W/A.T., A.C., H/PER.	17053983	1	108.00	BOWL
76	Y (350) (EXC. CALIF., H/PER.)	17053986	1	95.55	BOWL
76	Y (350) W/M.T., H/PER.	17053983	1	108.00	BOWL
77	Y W/A.T. (M40), H/PER.	17053983	1	108.00	BOWL
77	Y W/A.T. (M38) (EXC. H/PER.)	17055081	1	108.00	BOWL
70-71	Y (350) (EXC. H/PER., SP. H/PER.)	3928101	1	.40	CAP, DVTR VLV VAC SOURCE TUBE
73-74	Y (350) (EXC. SP. H/PER., CALIF.)	3928101	1	.40	CAP, DVTR VLV VAC SOURCE TUBE
73-74	Y (454)	3928101	1	.40	CAP, DVTR VLV VAC SOURCE TUBE
68	Y W/ROCH. 4BC	7034361	1	2.85	INSERT, BOWL
70-74	Y W/ROCH. 4BC	7037319	1	2.85	INSERT, BOWL
75-77	Y	7041471	1	2.85	INSERT, BOWL

3.738 GASKET, Carburetor Float Bowl to Cover (or Air Horn)

NOTE: REFER TO CHARTS END OF GROUP 3.000 FOR GROUP 3.724 THRU 3.859 1978 AND LATER
CARBURETORS AND COMPONENT PARTS.

75	Y	7042998	AR	1.56	GASKET
76-77	Y	17051797	1	1.04	GASKET, AIR HORN

3.740 BAFFLE-FILTER-GASKET-NUT-PIPE-RING-SCREEN- SCREW-SPRING, Carburetor and Fuel Meter Fuel Inlet

NOTE: REFER TO CHARTS END OF GROUP 3.000 FOR GROUP 3.724 THRU 3.859 1978 AND LATER
CARBURETORS AND COMPONENT PARTS.

64-66	Y W/SP. H/PER.	3912152	1	.55	BAFFLE, CARB FUEL BOWL (PRIM) (HOLLEY NO. 59R-34) (W/3849804, 3868864-3874898-5964-6749- 3882835-4505-3890499-2341)
64-66	Y W/SP. H/PER.	3912154	1	.55	BAFFLE, CARB FUEL BOWL (SECD) (HOLLEY NO. 5-9R-35) (W/3849804, 3868864-3874898-5964-6749- 3882835-4505-3890499-2341)
67	Y W/HOLLEY 4BC	3912152	1	.55	BAFFLE, CARB FUEL BOWL (PRIM) (W/3906631-3-5-7)
67	Y W/HOLLEY 4BC	3912154	1	.55	BAFFLE, CARB FUEL BOWL (SECD) (W/3906631-3-5-7)
68-69	Y (427) W/H/PER.	7031365	1	.90	BAFFLE, CARB FLOAT BOWL (W/7028209-16-7029204-15)
70-77	Y	7031365	1	.90	BAFFLE
66	Y	7013404	1	N.L.	FILTER, CARB FUEL INLET
67-72	Y W/HOLLEY CARB	7013404	1	N.L.	FILTER, CARB FUEL INLET
70-71	Y W/ROCH. 4BC	5651393	1	N.L.	FILTER, CARB FUEL FILTER INLET
73-74	Y	5651393	1	N.L.	FILTER, CARB FUEL FILTER INLET
75	Y	5650906	1	N.L.	FILTER, CARB FUEL INLET
76-77	Y	5651803	1	N.L.	FILTER, FUEL INLET
59-66	Y W/CARTER 4BC	7013584	1	.24	GASKET, FUEL INLET FILTER (CARTER 121-319)

FUEL-EXHAUST-CARBURETION

3.740 Baffle-Filter-Gasket-Nut-Pipe-Ring-Screen- Screw-Spring, Carburetor and Fuel Meter Fuel Inlet (Con't)

71	Y W/ROCH. 4BC	7032508	AR	50	GASKET, GAS PIPE CONNECTOR CARB. END (7/8" I.D.-1 1/16" O.D. X 1/32" THK.)
72-77	Y	7024281	1	24	GASKET, FILTER NUT
68-71	Y W/ROCH. 4BC	7040955	1	3.36	NUT, CARB FUEL FILTER
72-74	Y W/ROCH. 4BC	7045605	1	3.36	NUT, FILTER, CARB FUEL INLET
75	Y	7048873	1	4.61	NUT, FUEL INLET FILTER
76-77	Y	17051254	1	4.41	NUT, FUEL INLET FILTER
64-65	Y (327) W/SP. H/PER.	2367995	1	3.80	PIPE, FUEL PRIM TO SECD FLOAT BOWL (W/3849804) (HOLLEY 14R-320)
66-67	Y	3881433	1	37	RING, RET (HOLLEY 36R-284) (W/3882835-4505-3886091-6101-3890499-2341-3902355-6631-3-5-7-9872)
68	Y (427)	3881433	1	37	RING (W/3923289-5516-17-19)
69-70	Y W/HOLLEY 3/2BC, 4BC	3881433	1	37	RING
64-65	Y W/SP. H/PER.	3852482	1	1.20	SCREEN, FUEL FILTER (HOLLEY 57R-35)
57-61	Y W/F.I.	7019709	1	06	SCREW, INLET CUP (3752)
66-72	Y W/4BC	7034356	2	59	SPRING, CARB FUEL FILTER
72-75	Y W/ROCH. 4BC	7030588	1	33	SPRING, CARB FUEL FILTER
76-77	Y	7043568	1	33	SPRING, FUEL FILTER

3.741 SCREW, Carburetor Body

NOTE: REFER TO CHARTS END OF 3.000 GROUP FOR GROUP 3.724 THRU 3.859 1978 AND LATER CARBURETORS AND COMPONENT PARTS.

64-65	Y (327, 396) W/SP. H/PER.	2368004	1	91	SCREW, W/LW (BODY TO AIR HORN) (HOLLEY 5R567) (W/3868826-8864-9933-3874898-58-5904-6747-3882835-5067-6101-3890499-2341-3986195-3989021-3999263)
66	Y	2368004	1	91	SCREW, W/LW (BODY TO AIR HORN) (HOLLEY 5R567) (W/3868826-8864-9933-3874898-58-5904-6747-3882835-5067-6101-3890499-2341-3986195-3989021, 3999263)
67-72	Y W/HOLLEY CARB.	2368004	1	91	SCREW
69-79	Y	17063590	3	37	SCREW, THROTTLE BODY

3.745 FLOAT , Carburetor and Fuel Meter

NOTE: REFER TO CHARTS END OF GROUP 3.000 FOR GROUP 3.724 THRU 3.859 1978 AND LATER CARBURETORS AND COMPONENT PARTS.

NOTE 1: USED WITH DIE CAST F.I. ASM.

68	Y (327)	7034399	1	6.15	FLOAT (W/7028207-08-12-13-19)
68	Y (427) W/H/PER.	7033752	1	6.15	FLOAT (W/7028209-16)
69-74	Y W/ROCH. 4BC	7037705	1	N.L.	FLOAT
75-76	Y	7041468	1	6.15	FLOAT
77	Y	7043379	1	N.L.	FLOAT

3.747 PIN, Carburetor and Fuel Meter Float Lever

NOTE: REFER TO CHARTS END OF GROUP 3.000 FOR GROUP 3.724 THRU 3.859 1978 AND LATER CARBURETORS AND COMPONENT PARTS.

57-65	Y W/F.I.	7010037	1	16	PIN, HINGE
69-74	Y W/ROCH. 4BC	7037317	1	76	PIN, HINGE
75-77	Y	7041489	1	76	PIN, HINGE

3.750 CHOKE HOUSING KIT-COIL-COVER-GASKET-PIPE-PLATE-RELAY-RETAINER-SCREW-THERMOSTAT, Automatic Choke Control

NOTE: REFER TO CHARTS END OF GROUP 3.000 FOR GROUP 3.724 THRU 3.859 1978 AND LATER CARBURETORS AND COMPONENT PARTS.

NOTE 1: ALSO LISTED IN FUEL INJECTION SUB-HEADING.

75-76	Y	17055545	1	11.25	CHOKE HOUSING KIT
77	Y W/A.T. (M40)	17055545	1	11.25	CHOKE HOUSING KIT
77	Y W/A.T. (M38)	17055546	1	11.25	CHOKE HOUSING KIT
75-77	Y	17051918	1	10.10	COIL, W/GSKT
66-67	Y (8 CYL.) (EXC. 283)	3864866	1	1.35	COVER, AUTO CHOKE THERM
67	Y (327, 427)	3864866	1	1.35	COVER, AUTO CHOKE THERM
69-70	Y (350)	3864866	1	1.35	COVER, AUTO CHOKE THERM
70	Y (454)	14006795	1	1.60	COVER, AUTO CHOKE
71-74	Y	14006795	1	1.60	COVER, AUTO CHOKE
83-85	Y W/F.I.	7002760	1	16	GASKET, THERM HSG CVR (NOTE 1)
75-79	Y	17050961	1	33	GASKET, THERM CVR
75-77	Y	14006748	1	91	PIPE, CHOKE AIR
63-65	Y W/F.I.	7006643	1	59	PLATE, THERM BAFFLE (NOTE 1)

FUEL-EXHAUST-CARBURETION

3.750 CHOKE HOUSING KIT-COIL-COVER-GASKET-PIPE-PLATE-RELAY-RETAINER-SCREW-THERMOSTAT, Automatic Choke Control (Con't)

61	Y	14039662	1	3.75	RELAY, CHOKE HTR CONT (LESS POLARIZING PIN)
55-61	Y (8 CYL)	7000614	AR	24	RETAINER, THERM HSG CVR
62-65	Y W/F.I.	7000614	AR	24	RETAINER, THERM HSG CVR
75-77	Y	7000614	AR	24	RETAINER, THERM HSG CVR
75-77	Y	7038808	1	33	SCREW, CHOKE HSG. BOWL
65-66	Y (396, 427) (EXC SP. H/PER.)	3946093	1	6.70	THERMOSTAT
66	Y (327, 427) W/SP. H/PER.	3887148	1	6.35	THERMOSTAT
67	Y	3887148	1	6.35	THERMOSTAT
68	Y (327)	3927190	1	6.65	THERMOSTAT
68-69	Y (427)	3887148	1	6.35	THERMOSTAT
69	Y (350) (EXC SP. H/PER.)	3946093	1	6.70	THERMOSTAT
69-70	Y (350) W/SP. H/PER.	3887148	1	6.35	THERMOSTAT
70	Y (350) (EXC. SP. H/PER.)	3973497	1	5.35	THERMOSTAT
70	Y (454) W/4BC (EXC. H.D.)	3989060	1	6.70	THERMOSTAT
71	Y (350) (EXC. SP. H/PER.)	3989060	1	6.70	THERMOSTAT
71-72	Y (350) W/SP. H/PER.	3989061	1	7.45	THERMOSTAT
71	Y (454) W/H/PER.	3992082	1	6.70	THERMOSTAT
72	Y (350) (EXC. SP. H/PER.)	3998940	1	7.15	THERMOSTAT
72	Y (454)	6272732	1	7.15	THERMOSTAT
73-74	Y (350)	326079	1	N.L.	THERMOSTAT
73-74	Y (454)	6272736	1	7.15	THERMOSTAT

3.751 SCREW-VALVE, Carburetor Choke

NOTE: REFER TO CHARTS END OF GROUP 3.000 FOR GROUP 3.724 THRU 3.859 1978 AND LATER CARBURETORS AND COMPONENT PARTS.

62-65	Y W/F.I.	7007627	2	16	SCREW, VLV (NO. 6-32 X 17/64" O.L.)
64-66	Y (327, 396) W/SP. H/PER.	2285775	2	33	SCREW, VLV (5 R-4)
67-72	Y W/HOLLEY CARB.	2285775	2	33	SCREW, VLV (5 R-4)
68-79	Y W/ROCH. 4BC	7029966	2	24	SCREW, VLV
69	Y (427) (ROCH. 4BC W/T.H. 400) W/H/PER.	7020926	2	17	SCREW, COMP CVR
64-66	Y (327, 396) W/SP. H/PER.	3852460	1	55	VALVE (HOLLEY 2R-388)
67	Y W/HOLLEY 4BC	3852460	1	55	VALVE (HOLLEY 2R-388)
70-72	Y W/HOLLEY 4BC	3852460	1	55	VALVE (HOLLEY 2R-388)
71-74	Y W/ROCH. 4BC	7036021	1	1.50	VALVE (ROCHESTER)
75-77	Y	7048904	1	2.07	VALVE

3.752 CLIP-LEVER-RETAINER-ROD-SCREW-SEAL-SHAFT, Carburetor and Fuel Injection Choke

NOTE: REFER TO CHARTS END OF GROUP 3.000 FOR GROUP 3.724 THRU 3.859 1978 AND LATER CARBURETORS AND COMPONENT PARTS.

67-70	Y	7003137	AR	16	CLIP, CHOKE ROD, PUMP CONNECTOR
71-72	Y	3989067	1	33	CLIP, CHOKE ROD TO CARB (3.425)
68-74	Y W/ROCH. 4BC	7027270	1	1.50	LEVER, SECD LOCKOUT
68-77	Y W/ROCH. 4BC	7031231	1	1.04	LEVER, INTER
75-77	Y	7041473	1	2.17	LEVER, SECD LOCKOUT
75-76	Y	7041542	1	1.33	LEVER, CHOKE
76-77	Y	7041499	1	57	LEVER, CHOKE COIL
76	Y	17050754	1	4.10	LEVER, W/SHAFT INTER. CHOKE
53-55	Y (6 CYL)	838884	1	26	RETAINER, LVR
64-65	Y (327, 396) W/SP. H/PER.	2315470	1	52	RETAINER, CHOKE ROD (HOLLEY 48R-31) (W/3849804)
67-69	Y (427) W/H D.	2315470	1	52	RETAINER (W/3886091-3925519-3955205-3967481-87)
66-67	Y (327) W/SP. H/PER.	3917616	1	6.65	ROD, AUTO CHOKE
68-69	Y	3896970	1	3.45	ROD, AUTO CHOKE THERM CVR AND ROD
68-69	Y W/ROCH. 4BC	7036067	1	1.73	ROD, CARB CHOKE
69	Y (350) W/SP. H/PER.	3917616	1	6.65	ROD, AUTO CHOKE
70	Y (350) (EXC SP. H/PER., E.E.C.)	3970080	1	2.00	ROD, AUTO CHOKE (W/3972134)
70	Y (350) W/SP. H/PER., E.E.C.	3917616	1	6.65	ROD, AUTO CHOKE
70-74	Y W/ROCH. 4BC	7037557	1	1.19	ROD, CARB CHOKE
71	Y (350) (EXC. SP. H/PER.)	3989046	1	1.20	ROD, AUTO CHOKE
71-72	Y (350) W/SP. H/PER.	3989057	1	1.80	ROD, AUTO CHOKE
71	Y (454) W/H/PER.	3989382	1	1.75	ROD, AUTO CHOKE
72-73	Y (350) (EXC. SP. H/PER.)	3998966	1	3.70	ROD, AUTO CHOKE
72-74	Y (454)	3999278	1	76	ROD, AUTO CHOKE
72	Y W/ROCH. 4BC	7024256	1	1.18	ROD, INTER CHOKE
73-74	Y (350)	7024256	1	1.18	ROD, INTER CHOKE
73-74	Y (454)	7041178	1	1.18	ROD, INTER CHOKE
74	Y (350)	3998966	1	3.70	ROD, AUTO CHOKE

FUEL-EXHAUST-CARBURETION

3.752 CLIP-LEVER-RETAINER-ROD-SCREW-SEAL-SHAFT , Carburetor and Fuel Injection Choke (Con't)

75-77	Y	17058457	1	2.91	ROD, CARB CHOKE
57-61	Y W/F.I.	7019709	1	06	SCREW, ATTACH CHOKE VALVE, TRIP LEVER (6-32 X 5/16")
58-77	Y	7019709	1	06	SCREW, TRIP LEVER (6-32 X 5/16")
60-65	Y	7019709	1	06	SCREW, ATTACH CHOKE VALVE, TRIP LEVER (6-32 X 5/16")
63	Y W/CARTER 4BC, DUAL 4BC	7019707	1	0C	SCREW, CHOKE CONTROL BRACKET (10-24 X 5/8) (W/7023009-10-22-5125-7100-7105-06-25-9105-07-05-08-22-23-25-7037100-05-25)
73	Y	7029866	2	24	SCREW, CARB CHOKE VLV
64-68	Y (327, 396) W/SP. H/PER.	38524	1	35	SEAL, CHOKE ROD (HOLLEY 27R-238)
67-69	Y (427) W/SP. H/PER., H.D.	3352471	1	35	SEAL, CHOKE ROD (HOLLEY 27R-238)
67-69	Y W/3/2BC	3852471	1	35	SEAL, CHOKE ROD (HOLLEY 27R-238)
70-72	Y W/HOLLEY 4BC	3852471	1	35	SEAL, CHOKE ROD (HOLLEY 27R-238)
75-77	Y	7037569	1	61	SEAL, INTER CHOKE SHAFT
75-77	Y	7043367	1	61	SEAL, CHOKE HSG BOWL
64-65	Y W/SP. H/PER.	2367952	1	2.40	SHAFT (ROD TO PLATE) (HOLLEY NO 3R-278A) (W/3949804)
70-72	Y W/ROCH. 4BC	7038855	1	4.10	SHAFT, W/LVR, CARB CHOKE
73-74	Y (350)	7038855	1	4.10	SHAFT, W/LVR, CARB CHOKE
73-74	Y (454)	7047614	1	4.10	SHAFT, W/LVR
75-77	Y	7038259	1	8.25	SHAFT, CARB CHOKE
77	Y	17050754	1	4.10	SHAFT, W/LVR, INTER CHOKE

3.755 CONNECTOR-CONTROL-LINK-ROD-SCREW, Carburetor

NOTE: REFER TO CHARTS END OF GROUP 3.000 FOR GROUP 3.724 THRU 3.859 1978 AND LATER CARBURETORS AND COMPONENT PARTS.

70	Y W/HOLLEY 4BC	3979424	1	1.75	CONNECTOR, FUEL INLET (W/3972121-23)
68	Y W/ROCH. 4BC	7038960	1	6.45	CONTROL
69	Y W/ROCH. 4BC	7038239	1	7.10	CONTROL
70-71	Y W/ROCH. 4BC	7043674	1	15.10	CONTROL, W/BRKT, CHOKE VAC
70-71	Y W/ROCH. 4BC	7043676	1	8.70	CONTROL, CHOKE VAC
72	Y W/ROCH. 4BC	7044901	1	15.10	CONTROL, W/BRKT, VAC BRK
72	Y W/ROCH. 4BC	7044903	1	8.70	CONTROL, CHOKE VAC
73	Y (350) (EXC. SP. H/PER.)	7040181	1	8.75	CONTROL, CHOKE VAC
73	Y (350) (EXC. SP. H/PER.)	7047878	1	15.10	CONTROL, W/BRKT, VAC BRK
73	Y (454)	7040384	1	8.75	CONTROL, CHOKE VAC
73	Y (454)	7047872	1	15.10	CONTROL, W/BRKT, VAC BRK
74-75	Y (350) (EXC. SP. H/PER.)	7048206	1	8.75	CONTROL, CHOKE VAC
74	Y (350) (EXC. SP. H/PER.)	7048699	1	15.10	CONTROL, W/BRKT, VAC BRK
74-75	Y (350) W/SP. H/PER.	7048211	1	8.75	CONTROL, CHOKE VAC
74	Y (454)	7048200	1	8.75	CONTROL, CHOKE VAC
74	Y (454)	7048884	1	15.10	CONTROL, W/BRKT, VAC BRK
75	Y	17050756	1	14.55	CONTROL, W/BRKT, AUX VAC BRK
75-76	Y (350) W/H/PER.	17053201	1	15.10	CONTROL, W/BRKT, VAC BRK
76	Y (350) (EXC. H/PER.)	17050759	1	N.L.	CONTROL, W/BRKT, VAC BRK
77	Y W/A.T. (M38)	17050759	1	N.L.	CONTROL, W/BRKT, VAC BRK
77	Y W/A.T. (M40)	17053201	1	15.10	CONTROL, W/BRKT, VAC BRK
75-76	Y	7043447	1	3.05	LINK, AUX VAC BRK
68-69	Y W/ROCH. 4BC	7038167	1	1.03	ROD, VAC CONT
70-71	Y W/ROCH. 4BC	7029075	1	1.21	ROD, CHOKE VAC CONT
72-74	Y W/ROCH. 4BC	7024257	1	1.21	ROD, CHOKE VAC CONT
75-77	Y	7041527	1	2.17	ROD, VAC BRK
64-65	Y (327, 396) W/SP. H/PER.	2285812	4	30	SCREW, W/LW, SECD DIAPH CVR (SR-370)
66	Y	2285812	4	30	SCREW, W/LW, SECD DIAPH CVR (SR-370)
67-72	Y W/HOLLEY 4BC	2285812	4	30	SCREW, W/LW, SECD DIAPH CVR (SR-370)
67-69	Y W/3/2BC	2285812	4	30	SCREW, FRT AND RR (W/3902353-3935215)
68-74	Y W/ROCH. 4BC	7031925	1	32	SCREW, VAC CONT
75	Y	7043682	2	39	SCREW, AUX VAC CONT (3.444)
75-77	Y	17050732	1	31	SCREW, CONT ATTACH

3.757 PLUG-SPRING, Carburetor Air Valve

NOTE: REFER TO CHARTS END OF GROUP 3.000 FOR GROUP 3.724 THRU 3.859 1978 AND LATER CARBURETORS AND COMPONENT PARTS.

74-75	Y	3762180	1	45	PLUG, CONT VLV (8.024)
66-77	Y W/ROCH. 4BC	7035344	1	4.17	SPRING, W/CAM

FUEL-EXHAUST-CARBURETION

3.758 DIAPHRAGM, Carburetor Throttle

NOTE: REFER TO CHARTS END OF GROUP 3.000 FOR GROUP 3.724 THRU 3.859 1978 AND LATER
CARBURETORS AND COMPONENT PARTS.

64-65	Y (327, 396) W/SP. H/PER.	3852474	1	4.10	DIAPHRAGM, W/ROD (SECD) (HOLLEY 35R-235A)
66	Y	3852474	1	4.10	DIAPHRAGM, W/ROD (SECD) (HOLLEY 35R-235A)
67-69	Y (427) W/H.D.	2367971	1	4.49	DIAPHRAGM, SECD (W/3886091-3925519-3955205)
67	Y W/HOLLEY 4BC (EXC. H.D. 427)	3852474	1	4.10	DIAPHRAGM, W/ROD (SECD) (HOLLEY 35R-235A)
69-72	Y W/HOLLEY 4BC	3852474	1	4.10	DIAPHRAGM, W/ROD (SECD) (HOLLEY 35R-235A) (W/3849804-3868826-8864-9933-3874898-5964-6741-3882835-4505-6101)

3.761 SCREW-SPRING-WASHER, Carburetor Throttle Valve and Throttle Lever Adjusting

NOTE: REFER TO CHARTS END OF GROUP 3.000 FOR GROUP 3.724 THRU 3.859 1978 AND LATER
CARBURETORS AND COMPONENT PARTS.

63-65	Y W/F.I.	3960392	1	.33	SCREW, THROTTLE SHAFT AND LVR
69-77	Y W/ROCH. 4BC	3960392	1	.33	SCREW, AIR METER IDLE ADJUSTMENT (NO. 10-32 X 13/16)
64-65	Y (327, 396) W/SP. H/PER.	2285846	1	.58	SPRING, ADJ. SCREW
66-72	Y W/HOLLEY 4BC	2285846	1	.58	SPRING, ADJ. SCREW
67-69	Y W/3/2BC	2285846	1	.58	SPRING, PRIM (38R-110)
64-65	Y (327, 396) W/SP. H/PER.	810794	1	.50	WASHER, CONN ROD (HOLLEY 46R-25)
66-67	Y (EXC. 3/2BC)	810794	1	.50	WASHER, CONN ROD (HOLLEY 46R-25)

3.762 BAR-ROD, Carburetor Throttle

NOTE: REFER TO CHARTS END OF GROUP 3.000 FOR GROUP 3.724 THRU 3.859 1978 AND LATER
CARBURETORS AND COMPONENT PARTS.

67-69	Y W/3/2BC	3907112	2	3.95	BAR, THROTTLE CONN (CTR) (W/3902355-9872-3925516-17)
67-69	Y W/3/2BC	3921954	1	2.75	ROD, CTR TO FRT CARB
67-69	Y W/3/2BC	3921959	1	6.20	ROD, CTR RR CARB

3.763 SPRING, Carburetor Diaphragm Return

NOTE: REFER TO CHARTS END OF GROUP 3.000 FOR GROUP 3.724 THRU 3.859 1978 AND LATER
CARBURETORS AND COMPONENT PARTS.

68-72	Y	335127	1	1.05	SPRING
-------	---	--------	---	------	--------

3.765 CONNECTOR-CONTROL, Carburetor Vacuum

NOTE: REFER TO CHARTS END OF GROUP 3.000 FOR GROUP 3.724 THRU 3.859 1978 AND LATER
CARBURETORS AND COMPONENT PARTS.

67	Y W/3/2BC, A.I.R.	2446056	1	1.30	CONNECTOR, INLET MANIF VAC (3.704)
75	Y	17050759	1	N.L.	CONTROL, W/BRKT, VAC BRK(3.755)

3.766 CAM-LEVER-SCREW-SPRING, Carburetor and Fuel Injection Fast Idle

NOTE: REFER TO CHARTS END OF GROUP 3.000 FOR GROUP 3.724 THRU 3.859 1978 AND LATER
CARBURETORS AND COMPONENT PARTS.

68	Y (327) W/M.T., ROCH. 4BC	7038844	1	2.85	CAM, FAST IDLE (W/7028207-13-19)
68	Y (327) W/A.T., ROCH. 4BC	7038845	1	2.15	CAM, FAST IDLE (W/7028208-12)
69	Y (ROCH. 4BC W/T.H. 400) (350) (EXC. H/PER.)	7038845	1	2.15	CAM (W/7029200-02-04-14-15-23-24)
69	Y W/ROCH. 4BC (350, 427) (EXC. A.T., SP.H/PER.)	7038844	1	2.85	CAM
69	Y W/T.H. 400 (ROCH. 4BC W/H/PER.) (427)	7038845	1	2.15	CAM (W/7029200-02-04-14-15-23-24)
71-72	Y W/ROCH. 4BC	7042723	1	6.25	CAM, FAST IDLE (W/7041204-5-12-13)
73-74	Y (350)	7047876	1	5.81	CAM
73-74	Y (454)	7047378	1	6.25	CAM
75-77	Y	17051176	1	6.25	CAM
71-74	Y W/ROCH. 4BC	7043634	1	1.56	LEVER, CAM FOLLOWER
73-74	Y	7030677	1	2.07	LEVER, CAM TRIP (ROCH.)
75-77	Y	7041497	1	1.65	LEVER, CAM FOLLOWER
75-77	Y	7041498	1	2.38	LEVER, FAST IDLE
77	Y	7041542	1	1.33	LEVER, CHOKE
65-69	Y	7019709	AR	.06	SCREW, CHOKE ROD THROTTLE LVR (3.752)
68-74	Y W/ROCH. 4BC	7029899	1	.39	SCREW, CAM ADJ.
68-74	Y W/ROCH. 4BC	7035523	1	.57	SCREW, FAST IDLE LVR
69-77	Y	3960392	1	.33	SCREW, THROTTLE ADJ
75-77	Y	7036079	1	.57	SCREW, FAST IDLE LVR ATTACH
75-77	Y	7044794	1	.35	SCREW, FAST IDLE ADJ

WAREHOUSING AND DISTRIBUTION DIVISION OF GENERAL MOTORS CORPORATION — CHEVROLET—14A

FUEL-EXHAUST-CARBURETION

3.766 CAM-LEVER-SCREW-SPRING, Carburetor and Fuel Injection Fast Idle (Con't)

63-65	Y W/FI	7003176	1	16	SPRING, AIR METER IDLE STOP SCREW
68-77	Y W/ROCH 4BC	7029900	1	48	SPRING, FAST IDLE SCREW
68-74	Y W/ROCH 4BC	7035772	1	57	SPRING, FAST IDLE CAM LVR
72-77	Y W/ROCH 4BC	7003176	1	16	SPRING, FAST IDLE STOP SCREW
75-77	Y	17051494	1	57	SPRING, CAM LVR

3.767 SCREW Carburetor and Fuel Injection Fast Idle Cam

NOTE: REFER TO CHARTS END OF GROUP 3 000 FOR GROUP 3 724 THRU 3 859 1978 AND LATER
CARBURETORS AND COMPONENT PARTS

57-65	Y W/FI (396)	17067076	1	10 75	SCREW, ATTACH (12-28 X 3/8" X 3-16" DIA SHL DR)
76-77	Y	7036079	1	57	SCREW, FAST IDLE LVR ATTACH

3.774 NOZZLE, Carburetor

NOTE: REFER TO CHARTS END OF GROUP 3 000 FOR GROUP 3 724 THRU 3 859 1978 AND LATER
CARBURETORS AND COMPONENT PARTS

65	Y (396)	2367980	1	3 75	NOZZLE, PUMP DISCHARGE (HOLLEY NO 21R-572-25) (W/3868826-8864-3875964-3884505-2835-3890499)
66	Y (EXC. ALK)	2367980	1	3 75	NOZZLE, PUMP DISCHARGE (HOLLEY NO 21R-572-25) (W/3868826-8864-3875964-3884505-2835-3890499)
67	Y (PG W/3/2BC)	2367980	1	3 75	NOZZLE (W/3909872)
67	Y W/HOLLEY 4BC	2367980	1	3 75	NOZZLE (W/3906631-3-5)
69-72	Y (HOLLEY 4BC W/SP H/PER) (350, 454)	2367980	1	3 75	NOZZLE (W/3986195-96-3989021-3999263)
69	Y (3/2BC W/T.H. 400) W/H/PER (427)	2367980	1	3 75	NOZZLE (W/3940930-3955516)

3.792 JET, Carburetor Metering Rod, with Gasket

NOTE: REFER TO CHARTS END OF GROUP 3 000 FOR GROUP 3 724 THRU 3 859 1978 AND LATER
CARBURETORS AND COMPONENT PARTS

NOTE: STAMP ON TOP OR SIDE OF JET DENOTES ORIFICE DIAMETER, IN THOUSANDS

68	Y (327) W/SP H/PER	7031966	1	1 73	JET, PRIM (W/7028219) (90 DEGREE APPROACH)
68-69	Y W/ROCH 4BC (EXC. 327 SP H/PER 350)	7031971	2	1 73	JET, PRIM (90 DEGREE APPROACH)
69	Y (350) W/ROCH 4BC, H/PER	7031966	1	1 73	JET (W/7029207) (90 DEGREE APPROACH)
70	Y (350) W/ROCH 4BC	7031976	1	1 73	JET, MAIN (90 DEGREE APPROACH)
70	Y (454) W/ROCH 4BC	7031978	1	1 73	JET, MAIN (90 DEGREE APPROACH)
71-72	Y (350) W/ROCH 4BC	7031974	1	1 73	JET, MAIN (90 DEGREE APPROACH)
71-73	Y (454) W/ROCH 4BC	7031977	2	1 73	JET, PRIM (90 DEGREE APPROACH)
73	Y (350) (EXC. SP H/PER)	7031978	1	1 73	JET, MAIN (90 DEGREE APPROACH)
73	Y (350) W/SP H/PER	7031974	2	1 73	JET, PRIM (90 DEGREE APPROACH)
74	Y W/ROCH 4BC	7031975	2	1 73	JET, MAIN (90 DEGREE APPROACH)
75-76	Y	7031977	2	1 73	JET, PRIM (90 DEGREE APPROACH)
77	Y (EXC CALIF. ALT)	7031977	2	1 73	JET, PRIM (90 DEGREE APPROACH)
77	Y W/CALIF. ALT	7031972	2	1 73	JET, PRIM (90 DEGREE APPROACH)

3.806 HOLDER KIT-INSERT-ROD, Carburetor Metering

NOTE: REFER TO CHARTS END OF GROUP 3 000 FOR GROUP 3 724 THRU 3 859 1978 AND LATER
CARBURETORS AND COMPONENT PARTS

68-77	Y W/ROCH 4BC	7034522	1	1 65	HOLDER KIT, CARB METERING ROD SECD
76-77	Y	17051796	2	1 43	INSERT, ANEROID CAVITY
68	Y (327) W/ROCH 4BC (EXC SP H/PER)	7034337	2	5 05	ROD, SECD (W/7028207-8-12-13)
68	Y (327) W/ROCH 4BC, SP H/PER	7034822	1	5 35	ROD, SECD
68	Y (327) W/SP H/PER	7034836	2	2 31	ROD, PRIM (W/7028219)
68	Y (327) W/ROCH 4BC (EXC SP H/PER)	7034846	1	2 31	ROD, PRIM (W/7028207-8-12-13-19)
68	Y (427) W/ROCH 4BC	7033549	2	4 41	ROD, SECD (W/7028209-10-11-16)
68-69	Y (427) W/T.H., ROCH 4BC, H/PER	7034847	1	2 31	ROD, PRIM (W/7028216-7029204)
68-69	Y (427) W/M.T., ROCH 4BC (EXC SP H/PER)	7034848	1	2 31	ROD, PRIM (W/7028209-11-7029201-15)
69-70	Y (350) (EXC. H/PER)	7034337	2	5 05	ROD (W/7029202-03-23-7040202-3-13-0502-3-13)
69	Y (350) W/ROCH 4BC, H/PER	7034836	2	2 31	ROD, PRIM (W/7029207-17050580-1)
69	Y (350) W/ROCH 4BC (EXC H/PER, T.H. 400)	7034838	2	2 31	ROD (W/7029203)
69	Y (427) ROCH 4BC, T.H. 400	7033549	2	4 41	ROD (W/7029204-15)

FUEL-EXHAUST-CARBURETION

3.806 HOLDER KIT-INSERT-ROD, Carburetor Metering (Con't)

69	Y W/A.T. (M40), ROCH. 4BC (EXC. H/PER. 427)	7034842	1	2.31	ROD, PRIM (W/7029202)
69	Y W/ROCH. 4BC	7034822	1	5.35	ROD, SECD
70	Y (350) W/ROCH. 4BC, H/PER.	7034822	1	5.35	ROD, SECD
70-72	Y (350) W/ROCH. 4BC	7034844	1	2.31	ROD, PRIM (W/7040202-3-7-13-0502-3-7-13-1212-13)
70	Y (454) W/ROCH. 4BC	7033549	2	4.41	ROD (W/7040204-5-0504-5)
70-72	Y (454) W/ROCH. 4BC	7034849	1	2.31	ROD, PRIM (W/7040204-5-0504-5-7042216-17)
71	Y (454) W/ROCH. 4BC, H/PER.	7034822	1	5.35	ROD, SECD
72	Y (350) W/ROCH. 4BC	7048010	1	5.05	ROD, SECD
72	Y (454) W/ROCH. 4BC	7045840	1	5.05	ROD, SECD (W/7042216-17)
73	Y	7046010	1	5.05	ROD, SECD
73	Y (350)	7034844	2	2.31	ROD, PRIM (W/7043202-03-12-13)
73	Y (454) W/M.T.	7034848	2	2.31	ROD, PRIM (W/7043201)
73	Y (454) W/A.T.	7034850	2	2.31	ROD, PRIM (W/7043200)
74	Y (350) (EXC. SP. H/PER.)	7034836	2	2.31	ROD, PRIM (W/7029207-17050580-1)
74	Y (350) (EXC. SP. H/PER.)	7045779	2	4.41	ROD, SECD
74	Y (350) W/SP. H/PER.	7034843	2	2.31	ROD, PRIM (W/17050590-1)
74-75	Y (350) W/SP. H/PER.	7046010	1	5.05	ROD, SECD (W/7042202-03)
74	Y (454)	7048992	2	5.05	ROD, SECD (W/7047401-03-05)
74	Y (454) W/M.T.	7034839	2	2.31	ROD, PRIM (W/7047401)
74	Y (454) W/A.T.	7034841	2	2.31	ROD, PRIM (W/7047403-05)
75-77	Y	7045779	2	4.41	ROD, SECD (W/17050580-1)
75	Y (EXC. SP. H/PER.)	17051346	2	2.97	ROD, PRIM (W/7045222-23-17052579-80)
75	Y W/SP. H/PER.	17051344	2	2.97	ROD, PRIM (W/7045210-11-17052563-64)
76	Y (EXC. H/PER.)	17051348	2	2.97	ROD, PRIM
76	Y W/H/PER.	17051351	2	2.97	ROD, PRIM
77	Y	17051353	2	2.97	ROD (PRIMARY)
77	Y W/A.T. (M38), CALIF., SP. H/PER.	17051341	1	2.97	ROD, PRIM
77	Y W/A.T. (M38) (EXC. CALIF., SP. H/PER.)	17051352	2	2.97	ROD, PRIM

3.810 SPRING, Carburetor Metering Rod

NOTE: REFER TO CHARTS END OF GROUP 3.000 FOR GROUP 3.724 THRU 3.859 1978 AND LATER CARBURETORS AND COMPONENT PARTS.

69-74	Y W/ROCH. 4BC	7029862	1	90	SPRING, PRIM
75-77	Y	7041469	1	51	SPRING, PRIM

3.814 CLIP-NEEDLE KIT-NUT-SCREW, Carburetor and Fuel Meter Intake (with Seat and Gasket)

NOTE: REFER TO CHARTS END OF GROUP 3.000 FOR GROUP 3.724 THRU 3.859 1978 AND LATER CARBURETORS AND COMPONENT PARTS.

68-77	Y W/ROCH. 4BC	7033751	1	76	CLIP, CARB FLOAT NEEDLE PULL
66	Y (327) (EXC. A.I.R.)	3889775	1	8.35	NEEDLE KIT, CARB. FLOAT (W/3884505-2835)
66	Y (427) W/H/PER. (EXC. A.I.R.)	3889775	1	8.35	NEEDLE KIT, CARB FLOAT (W/3884505-2835)
68	Y (327)	7035130	1	5.35	NEEDLE KIT (W/7028207-08-12-13-19)
68	Y (427)	7035140	1	6.30	NEEDLE KIT (W/7028209-10-11-16)
69-72	Y (350) W/ROCH. 4BC	7035130	1	5.35	NEEDLE KIT
69	Y (427) W/H/PER.	7035140	1	6.30	NEEDLE KIT (W/7029204-15)
70-74	Y W/ROCH. 4BC	7035140	1	6.30	NEEDLE KIT (W/7040204-5-0504-5-1204-5)
75-77	Y	7035134	1	N.L.	NEEDLE KIT
76	Y	7048531	2	1.50	NEEDLE KIT, IDLE
64-65	Y (327, 396) W/SP. H/PER.	3852477	2	.59	NUT, NEEDLE ADJ (HOLLEY 39R-160) (W/3849804)
66	Y	3852477	2	.59	NUT, NEEDLE ADJ (HOLLEY 39R-160) (W/3849804)
67-69	Y (427) W/H.D.	3852477	2	.59	NUT (W/3886091-3925519-3955205)
67-69	Y W/3/2BC	3852477	2	.59	NUT, NEEDLE ADJ
71-72	Y W/HOLLEY 4BC	3852477	2	.59	NUT (W/3902353-5-9872-3925516-17-3940929-30-3969021-6195-96-3999263)
64-65	Y (327, 396) W/SP. H/PER.	3852465	2	.42	SCREW, NEEDLE LOCK (HOLLEY 5R-765) (W/3849804)
66	Y	3852465	2	.42	SCREW, NEEDLE LOCK (HOLLEY 5R-765) (W/3849804)
67-69	Y (427) W/H.D.	3852465	2	.42	SCREW (W/3886091-3925519-3955205-3967481-87-3999263)
67-69	Y W/3/2BC	3852465	2	.42	SCREW

FUEL-EXHAUST-CARBURETION

3.814 CLIP-NEEDLE KIT-NUT-SCREW, Carburetor and Fuel Meter Intake (with Seat and Gasket) (Con't)

70-72 Y W/HOLLEY 4BC 3852455 2 42 SCREW

3.820 COVER -GASKET, Carburetor Idle Air Compensator

NOTE: REFER TO CHARTS END OF GROUP 3.000 FOR GROUP 3.724 THRU 3.859 1978 AND LATER CARBURETORS AND COMPONENT PARTS.

69 Y (427) W/ROCH 4BC, T.H. 7029865 1 1.04 COVER (W/7029204)
400, H/PER. 7013341 1 .50 GASKET (W/7017375-80)

3.822 NEEDLE-SCREW, Carburetor and Fuel Injection Idle Adjusting

NOTE: REFER TO CHARTS END OF GROUP 3.000 FOR GROUP 3.724 THRU 3.859 1978 AND LATER CARBURETORS AND COMPONENT PARTS.

71-72 Y W/ROCH. 4BC 7048531 1 1.50 NEEDLE, W/LIMITER
73 Y 7048532 1 1.50 NEEDLE, W/LIMITER
75-77 Y 7048531 2 1.50 NEEDLE
68 Y W/ROCH. 4BC 7048880 2 1.50 SCREW
69 Y (350, 427) W/M.T., ROCH. 4BC (EXC. SP. H/PER.) 7048858 1 1.50 SCREW (W/7029201-93-07-15)
72 Y W/HOLLEY 4BC 6273907 2 .83 SCREW (HOLLEY 15R-145) (W/3999263)
74 Y 7048532 2 1.50 SCREW

3.823 LIMITER-SPRING, Carburetor and Fuel Injection Idle Adjusting Screw

NOTE: REFER TO CHARTS END OF GROUP 3.000 FOR GROUP 3.724 THRU 3.859 1978 AND LATER CARBURETORS AND COMPONENT PARTS.

71-73 Y W/ROCH. 4BC 7042801 2 1.15 LIMITER
64-66 Y W/F.I. 7003190 1 .28 SPRING, LOCK SPRING (5 1/2" COILS-1/2 FREE LENGTH)
68-77 Y 7011479 2 .16 SPRING, ADJ SCREW

3.825 BALL-RETAINER, Carburetor Pump Outlet Valve

NOTE: REFER TO CHARTS END OF GROUP 3.000 FOR GROUP 3.724 THRU 3.859 1978 AND LATER CARBURETORS AND COMPONENT PARTS.

53-81 Y 7002117 1 .06 BALL, DISCHARGE
69-77 Y W/ROCH. 4BC 7029849 1 1.33 RETAINER, CARB PUMP DISCHARGE
NOTE: REFER TO CHARTS END OF GROUP 3.000 FOR GROUP 3.724 THRU 3.859 1978 AND LATER CARBURETORS AND COMPONENT PARTS.

3.838 COVER-DIAPHRAGM-PUMP-SCREW-SPRING, Carburetor (with Leather and Shaft)

NOTE: REFER TO CHARTS END OF GROUP 3.000 FOR GROUP 3.724 THRU 3.859 1978 AND LATER CARBURETORS AND COMPONENT PARTS.

64-66 Y (327, 396) W/SP. H/PER. 6263029 AR 3.00 COVER, PUMP DIAPH (HOLLEY NO. 34R-2752A)
68 Y 6263029 1 3.00 COVER, FUEL PUMP (W/3884505-6091-6101)
67-69 Y (427) W/H.D. 6263029 AR 3.00 COVER(W/3886091-39255 19-3955205-3967481-87)
67 Y W/HOLLEY 4BC 6263029 1 3.00 COVER (W/3886091-390663 1-3-5-7)
67-69 Y W/3/2BC 6263029 AR 3.00 COVER, CTR (W/3902355-9872-3925516-17-3940929-30)
70-71 Y W/HOLLEY 4BC 6263029 AR 3.00 COVER (W/3972121-23)
72 Y W/HOLLEY 4BC 6263029 1 3.00 COVER (W/3886091-390663 1-3-5-7)
64-65 Y (327, 396) W/SP. H/PER. 2414214 AR 1.69 DIAPHRAGM, FUEL PUMP (W/3884505-6091-6101)
66 Y 2414214 AR 1.69 DIAPHRAGM, FUEL PUMP (W/3884505-6091-6101)
67-72 Y W/HOLLEY 4BC 2414214 AR 1.59 DIAPHRAGM, FUEL PUMP
67-69 Y W/3/2BC 2414214 AR 1.69 DIAPHRAGM, FUEL PUMP
68 Y (327) 7034111 1 5.45 PUMP, W/SPRING AND ROD (W/7028207-8-19)
69-71 Y (350) W/ROCH. 4BC 7037337 1 5.45 PUMP(W/7029202-03-07 23-7040202-3-7-13-0502-3-7-13-7041212-13)
69 Y (427) W/ROCH. 4BC, H/PER. 7037327 1 5.45 PUMP (W/7029204-15)
70-71 Y (454) W/ROCH. 4BC 7037327 1 5.45 PUMP (W/7040204-5-0504-05-1204-5)
72 Y W/ROCH. 4BC 7037327 1 5.45 PUMP (W/7040204-5-0504-05-1204-5)
73 Y 7040691 1 5.40 PUMP
74-75 Y 7047080 1 5.45 PUMP
76-77 Y 17051374 1 N.L. PUMP
64-65 Y (327, 396) W/SP. H/PER. 2367998 1 .33 SCREW, DIAPH LVR ADJ (HOLLEY 5R-565) (W/3882835-45-505-6091-6101)
66 Y 2367998 1 .33 SCREW, DIAPH LVR ADJ (HOLLEY 5R-565) (W/3882835-45-505-6091-6101)
67-72 Y W/HOLLEY 4BC 2367998 1 .33 SCREW (W/3986193-3989021-3999263)

FUEL-EXHAUST-CARBURETION

3.838 COVER-DIAPHRAGM-PUMP-SCREW-SPRING, Carburetor (with Leather and Shaft) (Con't)

64-65	Y (327, 396) W/SP. H/PER.	7042979	1	59	SPRING, W/LW, PUMP CVR (HOLLEY 5R-691) (W/3849804-3868826-8864-9933-3874898-5964-6741-3882835-4505-6091-6101-3890499-2341-3986195-3989021)
66	Y	7042979	1	59	SPRING, W/LW, PUMP CVR (HOLLEY 5R-691) (W/3849804-3868826-8864-9933-3874898-5964-6741-3882835-4505-6091-6101-3890499-2341-3986195-3989021)
76	Y	7042979	1	59	SPRING, CARB PUMP PSTN

3.841 RETAINER-SCREW-SPRING, Carburetor Pump

NOTE: REFER TO CHARTS END OF GROUP 3.000 FOR GROUP 3.724 THRU 3.859 1978 AND LATER
CARBURETORS AND COMPONENT PARTS.

64-65	Y (327, 396) W/SP. H/PER.	9431752	1	30	RETAINER, OPERATING LVR (8.934)
69-72	Y W/HOLLEY 4BC	3960391	1	42	SCREW, CARB PUMP DISCHARGE NOZZLE
64-65	Y (327, 396) W/SP. H/PER.	2367992	1	99	SPRING, DIAPH RTN
66	Y	2367992	1	99	SPRING, DIAPH RTN
66	Y	3888872	1	54	SPRING, PUMP LVR (W/3849804-3868826-8864-9933-3874898-5964-6741-3882835-4505-6091-6101-3999263)
67	Y (327, 427) W/4BC, A.I.R. (EXC. H.D.)	2367992	1	99	SPRING (W/3906635-7)
67-72	Y W/HOLLEY CARB.	388872	1	54	SPRING
67-69	Y W/3/2BC	3881434	1	36	SPRING, DIAPH SECD FRT AND RR (W/3902353)
67	Y W/3/2BC, P.G.	2367992	1	99	SPRING, CTR (W/3909872)
69-72	Y W/ROCH. 4BC	7037314	1	59	SPRING
73	Y	7004597	1	59	SPRING, RTN
74	Y	7041169	1	59	SPRING, RTN
75-77	Y	7042979	1	59	SPRING, RTN

3.842 CAM-LEVER, Carburetor Pump

NOTE: REFER TO CHARTS END OF GROUP 3.000 FOR GROUP 3.724 THRU 3.859 1978 AND LATER
CARBURETORS AND COMPONENT PARTS.

66	Y	3852480	AR	79	CAM, PUMP (W/3884505 6091-6101)
67-69	Y (427) W/H.D.	3852480	AR	79	CAM (W/3886091-3925519-39955205)
67-69	Y W/3/2BC, A.T.	3852480	AR	79	CAM, CTR (W/3909872-3925516-3940929-30-3999263)
70-72	Y W/HOLLEY 4BC	3852480	AR	79	CAM
64-65	Y (327, 396) W/SP. H/PER.	7048169	1	1.27	LEVER, ACTR
68-69	Y W/ROCH. 4BC	7048169	1	1.27	LEVER, ACTR
70	Y (350) W/ROCH. 4BC (EXC. H/PER.)	7048169	1	1.27	LEVER, ACTR
70	Y (350) W/ROCH. 4BC, H/PER. (EXC. E.E.C.)	7048169	1	1.27	LEVER, ACTR
70	Y (350) W/ROCH. 4BC, H/PER., E.E.C.	7048169	1	1.27	LEVER, ACTR
70	Y (454) W/ROCH. 4BC	7048169	1	1.27	LEVER, ACTR
71-72	Y W/ROCH. 4BC	7048169	1	1.27	LEVER, ACTR
73-77	Y	7048169	1	1.27	LEVER, ACTR

3.843 ROD, Carburetor Pump Connector

NOTE: REFER TO CHARTS END OF 3.000 GROUP FOR GROUP 3.724 THRU 3.859 1978 AND LATER
CARBURETORS AND COMPONENT PARTS.

68-77	Y W/ROCH. 4BC	7026138	1	2.07	ROD
-------	---------------	---------	---	------	-----

3.852 VALVE, Carburetor Idle Vapor Vent

NOTE: REFER TO CHARTS END OF 3.000 GROUP FOR GROUP 3.724 THRU 3.859 1978 AND LATER
CARBURETORS AND COMPONENT PARTS.

69-70	Y W/ROCH. 4BC (EXC. E.E.C.)	7029993	1	57	VALVE, VENT
-------	-----------------------------	---------	---	----	-------------

3.858 LEVER-PISTON-VALVE KIT, Carburetor Power

NOTE: REFER TO CHARTS END OF 3.000 GROUP FOR GROUP 3.724 THRU 3.859 1978 AND LATER
CARBURETORS AND COMPONENT PARTS.

64-65	Y (327, 396) W/SP. H/PER.	3869001	1	91	LEVER, DIAPH (HOLLEY NO. 63R-354A) (W/3849804-3868826-8864-9933-3874898-5964-6741-3882835-4505-6091-6101-3999263)
-------	---------------------------	---------	---	----	---

FUEL-EXHAUST-CARBURETION

3.858		LEVER-PISTON-VALVE KIT, Carburetor Power		(Con't)
66	Y	3869001	1	91 LEVER, DIAPH (HOLLEY NO. 63R-354A) (W/3849804-3868826-8864-9933- 3874989-5964-6741-3882835-4505- 6091-6101-3999263)
67-72	Y	3869001	1	91 LEVER
68-74	Y	7034903	1	2.91 PISTON
75	Y	7041460	1	3.20 PISTON
76-77	Y	17051792	1	4.17 PISTON
64-65	Y	3852485	AR	.71 VALVE KIT, PUMP DISC NEEDLE (W/3849804-3868826-8864-9933- 3874898-5964-6741-3882835-4505- 6101-3999263)
66	Y	3852485	AR	.71 VALVE KIT, PUMP DISC NEEDLE (W/3849804-3868826-8864-9933- 3874898-5964-6741-3882835-4505- 6101-3999263)
67-72	Y	3852485	AR	.71 VALVE KIT
67-69	Y	3898991	AR	3.48 VALVE KIT, CTR (W/3902355-9872- 3925516-17-3940929-30)

3.859 SPRING, Carburetor Power Piston

*NOTE: REFER TO CHARTS END OF 3.000 GROUP FOR GROUP 3.724 THRU 3.859 1978 AND LATER
CARBURETORS AND COMPONENT PARTS.*

69-74	Y	7036019	1	.48 SPRING
75-76	Y	17052057	1	.59 SPRING (POWER SPRING)
77	Y	7036019	1	.48 SPRING
77	Y	17052057	1	.59 SPRING
77	Y	7029529	1	.48 SPRING

3.880 BRACKET-CABLE-STUD, Cruise Control

77	Y	342407	1	.82 BRACKET
82	Y	14038658	1	.85 BRACKET, CRUISE CONT SERVO CBL
77	Y	460824	1	17.95 CABLE
82	Y	14040578	1	10.65 CABLE, CRUISE CONT SERVO
77-80	Y	376231	1	1.25 STUD, CABLE
81	Y	14056698	1	1.25 STUD, CABLE

3.883 LEVER, Cruise Control

77	Y	6466545	1	65.50 LEVER, W/ SWITCH, W/CRUISE CONT ACTR
----	---	---------	---	---

3.885 BOOT-BRACKET-CHAIN-CLIP-COVER-LINK-RETAINER-ROD-SERVO-SPRING CLIP-TRANSDUCER-VALVE, Cruise Control

NOTE 1: 1ST DESIGN ATTACHED TO SERVO WITH NUT, 2ND DESIGN ATTACHED WITH TWO SCREWS.

82	Y	6495016	1	2.95 BOOT, CRUISE CONT SERVO
77	Y	376228	1	4.55 BRACKET, CRUISE CONTROL SERVO
77-82	Y	376229	1	4.75 BRACKET, REG
78-80	Y	376215	1	1.05 BRACKET, VAC REL VLV (2.447)
78-79	Y	468242	1	4.35 BRACKET, SERVO (NOTE 1)
79-81	Y	14056700	1	3.50 BRACKET, SERVO (NOTE 1)
82	Y	14040575	1	2.55 BRACKET, CRUISE CONT SERVO(LARGE)
82	Y	14040576	1	2.55 BRACKET, W/STUD, CRUISE CONT SERVO (SMALL)
82	Y	25031314	1	2.76 CHAIN, W/COUPLING, CRUISE CONT BALL
82	Y	1616947	AR	1.30 CLIP, CRUISE CONT BALL CHAIN
81-82	Y	1985980	1	1.98 COVER, W/FILTER,PKG,CRUISE VAC VLV
78-81	Y	376197	1	3.75 LINK, SERVO
77-80	Y	1251366	1	.54 RETAINER, VAC REL VLV
82	Y	1612303	1	.54 RETAINER, VAC REL VLV
78-79	Y	468238	1	1.30 ROD, SERVO(6.51 IN LG)
79-81	Y	14009160	1	1.30 ROD, SERVO(6.25 IN LG)
77	Y	6494922	1	28.40 SERVO,
78-79	Y	8466530	1	23.00 SERVO (METAL)
79-81	Y	25030983	1	17.15 SERVO (PLASTIC)
82	Y	25031529	1	28.15 SERVO,
68-78	Y	9793032	AR	1.80 SPRING CLIP, STEEL (.312 X .468 CLEAR BLACK) (2.765)
69-80	Y	25030711	1	109.90 TRANSDUCER,
77-80	Y	25030711	1	109.90 TRANSDUCER
81-82	Y	25030876	1	218.75 TRANSDUCER
77-80	Y	407437	1	9.95 VALVE, VAC REL
82	Y	25509432	1	13.95 VALVE, CRUISE VAC & TRANS CONV REL

FUEL-EXHAUST-CARBURETION

3.887 BOLT-HARNESS, Cruise Control

69-79	Y	408897	AR	33	BOLT, HEX (3/8"-16 X 1 3/8")
77-78	Y	8918534	1	38.00	HARNESS, WRG
79	Y	12005664	1	38.00	HARNESS, WRG
80	Y	12005666	1	47.00	HARNESS, WRG
81-82	Y	12016049	1	47.00	HARNESS, WRG

3.890 BRACKET-ELEMENT-FILTER -FILTER KIT-GASKET-PILTER, Engine Fuel

NOTE 1: IF 1/8" VENT OPENING IS NOT REQUIRED, CRIMP AND SOLDER.

82	Y	14047793	1	1.70	BRACKET, FUEL FILTER
53-81	Y (EXC. F.I.)	854347	1	3.80	ELEMENT, W/GSKT (AC-GF-124)
62	Y W/H/PER., SP. H/PER.	854347	1	3.80	ELEMENT, W/GSKT (AC-GF-124)
53-61	Y (EXC. F.I.)	854444	1	11.70	FILTER (AC-GF-48) (CARB MT)
62	Y W/H/PER., SP. H/PER.	854444	1	11.70	FILTER (AC-CF-48) (CARB MT)
68	Y (327) W/ROCH. CARB.	854583	1	6.15	FILTER, INLINE (AC-GF-61)
68-69	Y (EXC. 427 SP. H/PER., H.D.)	5651480	1	13.90	FILTER, FUEL (AC-GF-432)
82	Y	25055068	1	10.48	FILTER, FUEL (TYPE GF482)
59-82	Y W/F.I.	5650899	1	17.68	FILTER KIT, W/ADAP (W/7017200-7250-7300-7310-7320-7355-7360)
63-66	Y W/H/PER., SP. H/PER., F.I.	5650899	1	17.68	FILTER KIT (NOTE 1)
53-61	Y (EXC. F.I.)	854389	1	.46	GASKET, FILTER BOWL (AC-106) (CORK)
62	Y W/H/PER., SP. H/PER.	854389	1	.46	GASKET, FILTER BOWL (AC-106) (CORK)
67	Y (427) W/ROCH. CARB.	854619	1	N.L.	PILTER, INLINE (AC-GF-61P)

3.900 PUMP -RELAY, Engine Fuel Pump

NOTE 1: WHEN USING IN PLACE OF 5621665, DISCARD ELBOW AND FRONT PIPE AT INLET SIDE, INSTALL NEW PUMP, BEND EXISTING GAS PIPE ASM. TO FIT OUTLET IN PUMP, INSTALL CONNECTOR 3855147 IN INLET OF PUMP WITH CONNECTOR TUBE POINTING UPWARD AND ASSEMBLE EXISTING HOSE AND CLAMP TO CONNECTOR.

55	Y (8 CYL.)	6414447	1	26.80	PUMP (AC-6935)
59-63	Y	6415618	1	27.05	PUMP
64-65	Y (EXC. SP. H/PER., F.I. 396)	6415618	1	27.05	PUMP
64-65	Y (327) W/H/PER., SP. H/PER., F.I.	6415325	1	36.45	PUMP (NOTE 1)
66	Y	6415325	1	36.45	PUMP (NOTE 1)
67	Y (327)	6416712	1	24.75	PUMP (TYPE 40503)
67-69	Y (427)	6416741	1	30.15	PUMP (TYPE 40482)
68-69	Y (427) W/H.D.	6416741	1	30.15	PUMP (TYPE 40482)
68-69	Y W/3/2BC	6416741	1	30.15	PUMP (TYPE 40482)
68-69	Y W/4/BC, H/PER	6416741	1	30.15	PUMP (TYPE 40482)
70-72	Y (350) (EXC. SP. H/PER.)	647030R	1	30.60	PUMP (TYPE 40769)
70-76	Y (350) W/4BC, H/PER	6470308	1	30.60	PUMP (TYPE 40769)
70-74	Y (454) W/4BC	6470309	1	32.15	PUMP (TYPE 40770)
77-81	Y	6471216	1	37.60	PUMP (TYPE 41240)
82	Y	6471925	1	85.20	PUMP (IN TANK)
82	Y	14039681	1	9.20	RELAY, FUEL PUMP(3.140)

3.901 COVER-PLATE -SCREW-STUD-WASHER, Fuel Pump Mounting

82	Y	14044700	1	1.75	COVER, FUEL PUMP JPG
55-66	Y (8 CYL.) (EXC. 396)	3719599	1	1.75	PLATE (4 ATTACH. HOLES-ONE LARGE SLOT)
67-81	Y (327, 350)	3719599	1	1.75	PLATE (4 ATTACH. HOLES-ONE LARGE SLOT)
59-66	Y (8 CYL.)	3751842	2	.36	SCREW, W/LW (5/8"-16 X 1 1/8") (WASHER HD.)
65-69	Y	3874876	2	.36	SCREW, W/LW (3/8-16 X 1 1/8)
72-81	Y (350)	3895411	2	.35	SCREW, W/LW (3/8"-16 X 1 7/16")
72-74	Y (454)	3874876	2	.36	SCREW, W/LW (3/8-16 X 1 1/8)
82	Y	376878	1	2.55	STUD, FUEL PUMP OPG CVR (4.686)
66-82	Y	9782628	AR	.28	WASHER (.318 X .625 X .031 ALUM RUB COAT)

3.904 GASKET, Fuel Pump Mounting

55-82	Y	3705044	1	.35	GASKET, MT, PLT (4 ATTACH. HOLES-ONE LARGE SLOT)
55-81	Y (8 CYL.)	9776705	1	.26	GASKET, MT, FLANGE (2 ATTACH. HOLES-ONE SMALL SLOT)

3.935 ROD, Fuel Pump

55-81	Y (8 CYL.)	3704817	1	4.60	ROD (1/2" DIA. X 5 3/4" LONG)
-------	------------	---------	---	------	-------------------------------

1978-81 E.G.R. VALVES CROSS-REFERENCED FROM PRODUCTION TO SERVICE NO.S

GM37

PROD	SERV	PROD	SERV	PROD	SERV	PROD	SERV
7030642	17051800	7043443	17052680	7048203	17051868	17056319	17055777
7030695	17051802	7043444	17052681	7048215	17051869	17056320	17055778
7030805	17052661	7043445	17052682	7049860	17051870	17056321	17065100
7030806	17052661	7043452	17052683	7049864	17051871	17056373	17065073
7030836	17052662	7043453	17052684	7049867	17051872	17056382	17065150
7030876	17051803	7043454	17052685	7049868	17051873	17056383	17055780
7030879	17051805	7043457	17052686	7049869	17052699	17056384	17055781
7030880	17051806	7043459	17052687	7049874	17051876	17056395	17055782
7035169	17051807	7043521	17052691	7049875	17051877	17056386	17055780
7035170	17051808	7043522	17052688	7049879	17051878	17056387	17055784
7035171	17051809	7043523	17052689	7049912	17051879	17056388	17055785
7035172	17051810	7043526	17052754	7049954	17051880	17056389	17065150
7040028	17051811	7043577	17052692	17050062	17052700	17056390	17055787
7040042	17051812	7044019	17054310	17050063	17052741	17056391	17055790
7040175	17051813	7044037	17052753	17050064	17052701	17056392	17055789
7040249	17051814	7044045	17053960	17050492	17052702	17056393	17055790
7040259	17051815	7044046	17053961	17050494	17052703	17056394	17055791
7040291	17051816	7044069	17053962	17050765	17051881	17056395	17055792
7040292	17051817	7044078	17053963	17050767	17051882	17056396	17055793
7040299	17051818	7044090	17053964	17050768	17051883	17056397	17055794
7040318	17051819	7044097	17055380	17051417	17052704	17056398	17055795
7040365	17051822	7044098	17055381	17051474	17054311	17056463	17066854
7040369	17051823	7044107	17055383	17052076	17052705	17056464	17055797
7040380	17051820	7044177	17067383	17052140	17052706	17056469	17066855
7040437	17051824	7044180	17055430	17052141	17052712	17056493	17055799
7040438	17051825	7044181	17055431	17052142	17052708	17056494	17055799
7040443	17051826	7044184	17055432	17052143	17052709	17056495	17055799
7040452	17051827	7044295	17055385	17052144	17052710	17056496	17055800
7040465	17051828	7044303	17055386	17052284	17052712	17056538	17065081
7040495	17051829	7044305	17055387	17052285	17052753	17056554	17065082
7040497	17051830	7044307	17055388	17052307	17052714	17056563	17065084
7040528	17051831	7044336	17055389	17052364	17052715	17056567	17065086
7040547	17051884	7044338	17055391	17052382	17052716	17056722	17065087
7040548	17051932	7044357	17055394	17053034	17052742	17056729	17065088
7040556	17051833	7044358	17055395	17053046	17052743	17056730	17065089
7040571	17051834	7044359	17055396	17053098	17052749	17056768	17065090
7040599	17051835	7044360	17055397	17053105	17052744	17057022	17065800
7041147	17051836	7044361	17055398	17053221	17052751	17057024	17065800
7041222	17051837	7044362	17055399	17053222	17052752	17057037	17065803
7041409	17051838	7044365	17065076	17053571	17053973	17057038	17065804
7041413	17051839	7044366	17055433	17053609	17053974	17057039	17065805
7041416	17051840	7044372	17067383	17053610	17053975	17057040	17065806
7041418	17051897	7044378	17055434	17053615	17053977	17057041	17065807
7041425	17051841	7044379	17055435	17053704	17053978	17057043	17065808
7041426	17051842	7044383	17055436	17056075	17055753	17057046	17065077
7041445	17051845	7044384	17055437	17056089	17065060	17057160	17065809
7041446	17051846	7044394	17055403	17056090	17065061	17057162	17066856
7041462	17051847	7044395	17055404	17056091	17065062	17057163	17066857
7042847	17051849	7044396	17055405	17056092	17065063	17057175	17065152
7042891	17051850	7044398	17055406	17056093	17065064	17057189	17065812
7042892	17051851	7044399	17055407	17056094	17065065	17057220	17065902
7042928	17051852	7044400	17055408	17056097	17065067	17057238	17065903
7042955	17051853	7044401	17055409	17056098	17065068	17057342	17065815
7042975	17051854	7044429	17055448	17056131	17065070	17057343	17065816
7043037	17052663	7044430	17055068	17056181	17066840	17057400	17066850
7043038	17052664	7044469	17055440	17056182	17066841	17057409	17066861
7043039	17051855	7044470	17055441	17056183	17066842	17057407	17065881
7043041	17051856	7044473	17055442	17056184	17066843	17057413	17065883
7043042	17052740	7044474	17055449	17056185	17066844	17057415	17065819
7043043	17051858	7044475	17055450	17056187	17066858	17057419	17065920
7043050	17052665	7044591	17055443	17056188	17066845	17057420	17065821
7043051	17051860	7044592	17055444	17056189	17066845	17057421	17065867
7043052	17052666	7044598	17055445	17056190	17066846	17057423	17065823
7043058	17052668	7045159	17055446	17056191	17066847	17057424	17065824
7043082	17051861	7045176	17055447	17056192	17066857	17057427	17065825
7043133	17052669	7046154	17052693	17056193	17066858	17057430	17065780
7043135	17051862	7046280	17053965	17056195	17066848	17057481	17065826
7043137	17052670	7046281	17053966	17056196	17066849	17057486	17066859
7043139	17052671	7046282	17053967	17056199	17066850	17057494	17065911
7043279	17051863	7046283	17053968	17056201	17066851	17057590	17065907
7043303	17052672	7046288	17052694	17056213	17066852	17057591	17065908
7043304	17052673	7046289	17052695	17056214	17066853	17057592	17065909
7043310	17052674	7046497	17051864	17056225	17055750	17057593	17065910
7043435	17052675	7046498	17051865	17056270	17055774	17057594	17065911
7043437	17052676	7047066	17051867	17056271	17055775	17057595	17065912
7043438	17052677	7047291	17052696	17056272	17055776	17057596	17065912
7043439	17052678	7048194	17052698	17056295	17065072	17057598	17066100

(CONT.)
1978-81 E.G.R. VALVES
CROSS-REFERENCED FROM
PRODUCTION TO SERVICE NO.S

GM38

PROD	SERV	PROD	SERV	PROD	SERV	PROD	SERV
17057599	17065912	17062329	17065878	17063971	17066109	17075578	17067381
17057906	17065091	17062361	17065880	17063972	17066110	17075581	17067383
17057908	17065092	17062416	17065894	17063973	17066111	17075584	17067385
17057909	17065093	17062426	17066113	17063974	17066112	17075613	17068164
17057985	17065094	17062450	17065873	17063975	17066113	17075616	17068158
17057994	17065091	17062451	17065886	17063976	17066114	17075617	17068159
17058251	17065803	17062463	17062463	17063978	17066116	17075621	17068160
17058260	17065804	17062490	17065783	17063979	17066117	17075623	17068161
17058261	17066135	17062580	17065765	17063980	17066118	17075624	17068162
17058265	17066136	17062581	17065766	17063981	17066119	17075627	17068163
17058269	17066139	17062582	17065765	17063991	17066870	17075649	17067388
17058273	17066140	17062585	17065770	17064034	17066252	17075651	17067390
17058299	17066142	17062586	17065771	17064036	17066266	17075653	17067392
17058325	17066863	17062587	17066115	17064059	17066239	17075654	17067393
17058338	17066149	17062617	17065773	17064135	17066253	17075655	17067394
17058341	17068187	17062632	17065774	17064137	17066241	17075656	17067395
17058351	17066065	17062633	17065775	17064138	17066242	17075658	17067397
17058357	17066060	17062634	17065776	17064139	17066243	17080895	17066109
17058401	17066062	17062635	17065777	17064140	17066244		
17058426	17066871	17062650	17065887	17064141	17066245		
17058427	17066875	17062706	17066862	17064267	17066227		
17058433	17066154	17062725	17066116	17064388	17066230		
17058434	17066155	17062727	17066117	17064432	17066232		
17058435	17066156	17062729	17066118	17064437	17066234		
17058439	17066160	17062852	17066173	17064480	17066236		
17058449	17066102	17062853	17066118	17064506	17066254		
17058497	17066163	17062855	17066175	17064534	17066267		
17058499	17066164	17062856	17066176	17064536	17066268		
17058605	17065095	17062858	17066868	17064537	17066269		
17060382	17065096	17062843	17066101	17064538	17066270		
17060810	17065074	17062859	17066178	17064539	17066271		
17060813	17065152	17062860	17066180	17064540	17066272		
17060843	17065101	17062861	17066180	17064541	17066273		
17060883	17066103	17062862	17066181	17064551	17066274		
17060884	17066116	17062863	17066182	17064553	17066275		
17060885	17066104	17062865	17066183	17064664	17066840		
17060886	17066104	17062866	17066184	17064665	17066841		
17060887	17066117	17062867	17066185	17064666	17066842		
17060888	17066113	17062870	17066187	17064667	17066843		
17060889	17066105	17062873	17066188	17064668	17066844		
17060890	17066106	17062877	17066189	17064669	17066845		
17060892	17066107	17062880	17066190	17064670	17066846		
17060894	17066108	17063326	17066192	17064671	17066847		
17060895	17066109	17063327	17066193	17064672	17066846		
17060896	17066110	17063328	17066194	17064673	17066849		
17060897	17065849	17063334	17066195	17064674	17066850		
17060898	17065850	17063335	17066196	17064765	17066851		
17060899	17065851	17063337	17066198	17064676	17066852		
17060941	17065099	17063338	17066199	17064677	17066853		
17060979	17065853	17063339	17066200	17064678	17066854		
17060981	17065884	17063340	17066201	17064679	17066855		
17061104	17065399	17063341	17066202	17064680	17066856		
17061108	17065900	17063344	17066248	17064681	17066857		
17061575	17065760	17063366	17066205	17064682	17066858		
17061576	17065761	17063367	17066206	17064683	17066856		
17061577	17065778	17063368	17066207	17064814	17066865		
17061578	17065888	17063369	17066208	17064939	17066879		
17061580	17065856	17063370	17066209	17070178	17067112		
17061582	17065857	17063371	17066210	17070179	17067113		
17061583	17065858	17063372	17066211	17070180	17067114		
17061701	17065156	17063373	17066212	17070181	17067115		
17061779	17065860	17063374	17066213	17070185	17067116		
17061780	17065861	17063760	17066259	17070186	17067117		
17061783	17065863	17063764	17066217	17070188	17067118		
17061785	17065865	17063777	17066263	17070189	17067119		
17061788	17065867	17063944	17063944	17070191	17067360		
17062024	17066111	17063945	17065907	17075501	17067362		
17062025	17066112	17063946	17065908	17075504	17067364		
17062064	17065877	17063964	17066102	17075505	17067365		
17062066	17065870	17063965	17066103	17075506	17067366		
17062085	17065873	17063966	17066104	17075507	17067367		
17062086	17065874	17063967	17066105	17075537	17067399		
17062323	17065779	17063968	17066106	17075538	17068140		
17062324	17065875	17063969	17066107	17075562	17067375		
17062328	17065877	17063970	17066108	17075566	17067379		

(CONT.)
1978-81 E.G.R. VALVES
CROSS-REFERENCED FROM
SERVICE TO PRODUCTION NO.S

GM40

SERV	PROD	SERV	PROD	SERV	PROD	SERV	PROD
17065857	17061582	17066115	17062587	17066267	17064534	17067375	17075562
17065858	17061583	17066116	17063978	17066268	17064536	17067379	17075566
17065860	17061779	17066116	17062725	17066269	17064537	17067381	17075578
17065861	17061780	17066116	17060884	17066270	17064538	17067383	17075581
17065863	17061783	17066117	17063979	17066271	17064539	17067383	7044372
17065865	17061785	17066117	17060887	17066272	17064540	17067385	17075584
17065867	17061788	17066117	17062727	17066273	17064541	17067388	17075649
17065867	17057421	17066118	17063890	17066274	17064551	17067390	17075651
17065870	17062066	17066118	17062729	17066275	17064553	17067392	17075653
17065873	17062085	17066119	17063981	17066840	17064664	17067393	17075654
17065873	17062450	17066135	17058261	17066840	17056181	17067394	17075655
17065874	17062086	17066136	17058265	17066841	17064665	17067395	17075656
17065875	17062324	17066139	17058269	17066841	17056182	17067397	17075658
17065877	17062064	17066140	17058273	17066842	17064666	17067399	17075657
17065877	17062328	17066142	17058299	17066842	17056183	17068140	17075538
17065878	17062329	17066149	17058338	17066843	17064667	17068158	17075616
17065880	17062361	17066154	17058433	17066843	17056184	17068159	17075617
17065881	17057407	17066155	17058434	17066844	17064668	17068160	17075621
17065883	17057413	17066156	17058435	17066844	17056185	17068161	17075623
17065884	17060981	17066160	17058439	17066845	17064669	17068162	17075624
17065886	17062451	17066163	17058497	17066845	17056188	17068163	17075627
17065887	17062650	17066164	17058499	17066845	17056189	17068164	17075613
17065888	17061578	17066173	17062852	17066846	17064670	17068187	17058341
17065894	17062416	17066118	17062853	17066846	17064672		
17065899	17061104	17066175	17062855	17066846	17056190		
17065900	17061108	17066176	17062856	17066847	17064671		
17065902	17057220	17066178	17062859	17066847	17056191		
17065903	17057238	17066180	17062860	17066848	17056195		
17065907	17063945	17066180	17062861	17066849	17064673		
17065907	17057590	17066181	17062862	17066849	17056196		
17065908	17063945	17066182	17062863	17066850	17064674		
17065908	17057591	17066183	17062865	17066850	17056199		
17065908	17057591	17066184	17062866	17066851	17064765		
17065909	17057592	17066185	17062867	17066851	17056201		
17065910	17057593	17066188	17062873	17066852	17064676		
17065911	17057494	17066189	17062877	17066852	17056213		
17065911	17057594	17066190	17062880	17066853	17064677		
17065912	17057595	17066192	17063326	17066853	17056214		
17065912	17057596	17066193	17063327	17066854	17064678		
17065 2	17057599	17066194	17063328	17066854	17056463		
17066060	17058357	17066195	17063334	17066855	17064679		
17066062	17058401	17066196	17063335	17066855	17056469		
17066065	17058351	17066198	17063337	17066856	17064680		
17066100	17057598	17066199	17063338	17066856	17064683		
17066101	17062843	17066200	17063339	17066856	17057162		
17066102	17063964	17066201	17063340	17066857	17064681		
17066102	17058449	17066202	17063341	17066857	17057163		
17066103	17060883	17066205	17063365	17066857	17056192		
17066103	17063965	17066206	17063367	17066858	17064682		
17066104	17060886	17066207	17063368	17066858	17056187		
17066104	17063966	17066208	17063369	17066858	17056193		
17066104	17060885	17066209	17063370	17066858	17057400		
17066105	17063967	17066210	17063371	17066861	17057409		
17066105	17060889	17066211	17063372	17066862	17062706		
17066106	17063968	17066212	17063373	17066863	17068325		
17066106	17060890	17066213	17063374	17066865	17064814		
17066107	17063969	17066217	17063764	17066875	17058427		
17066107	17060892	17066227	17064267	17066868	17062858		
17066108	17063970	17066230	17064388	17066870	17063991		
17066108	17060894	17066232	17064432	17066871	17058426		
17066109	17063971	17066234	17064437	17066879	17064939		
17066109	17060895	17066236	17064480	17067112	17070178		
17066109	17080895	17066239	17064059	17067113	17070179		
17066110	17063972	17066241	17064137	17067114	17070180		
17066110	17060896	17066242	17064138	17067115	17070181		
17066110	17060897	17066243	17064139	17067116	17070185		
17066111	17063973	17066244	17064140	17067117	17070186		
17066111	17062024	17066245	17064141	17067118	17070188		
17066112	17063974	17066248	17063344	17067119	17070189		
17066112	17062025	17066252	17064034	17067360	17070191		
17066113	17063975	17066253	17064135	17067362	17075501		
17066113	17062426	17066254	17064506	17067364	17075504		
17066113	17060888	17066259	17063760	17067365	17075505		
17066114	17063976	17066263	17063777	17067366	17075506		
17066115	17063977	17066266	17064036	17067367	17075507		

FUEL - EXHAUST - CARBURETION

E. G. R. VALVES
CROSS-REFERENCED FROM
PRODUCTION TO SERVICE NO.'S

PROD	SERV	PROD	SERV	PROD	SERV	PROD	SERV
1622175	1622175	17078675	17078427	17083744	17079633	17084782	17110494
7043133	17052669	17082704	17078398	17083748	17079636	17084783	17110495
17056373	17065073	17082705	17079563	17083749	17079675	17084784	17110496
17058341	17066187	17082709	17078421	17083753	17079676	17084785	17110497
17058476	17066871	17082710	17078400	17083762	17079686	17084786	17110498
17060987	17065854	17082711	17078386	17083763	17079703	17084787	17110499
17061104	17065899	17082712	17078389	17083764	17079686	17084794	17110504
17061108	17065900	17082713	17078409	17083765	17079687	17084799	17110505
17062581	17065871	17082714	17078381	17083771	17079681	17084800	17110506
17062705	17068196	17082716	17078382	17083778	17079682	17084801	17110507
17062706	17066862	17082720	17078383	17083782	17079697	17084813	17110508
17062707	17068197	17082722	17078410	17083783	17079698	17084814	17110509
17063333	17068195	17082723	17078384	17083784	17079699	17084815	17110510
17063334	17063334	17082726	17068216	17083785	17079700	17084816	17110511
17063335	17063335	17082728	17078430	17083793	17079563	17084817	17110512
17063336	17066197	17082729	17079666	17083804	17079662	17084818	17110513
17063337	17063337	17082730	17068225	17083807	17079668	17084819	17110514
17063338	17066199	17082731	17068226	17083808	17079678	17084820	17110515
17063339	17066200	17082732	17068227	17083810	17083810	17084821	17110516
17063341	17066202	17082734	17068229	17083810	17083810	17084822	17110517
17063366	17066205	17082738	17068233	17083813	17079677	17084823	17110518
17063369	17066208	17082739	17068234	17083814	17079663	17084824	17110519
17063370	17066209	17082741	17078912	17083816	17079692	17084825	17110520
17063776	17068188	17082742	17078913	17083818	17079693	17084826	17110521
17063777	17066263	17082748	17078337	17083819	17079843	17084827	17110522
17063778	17066238	17082749	17078338	17083821	17079799	17084828	17110523
17063995	17078426	17082751	17078333	17083822	17079784	17084830	17110524
17064035	17066265	17082752	17078334	17083823	17079785	17084831	17110525
17064057	17079783	17082753	17078335	17083824	17079563	17084836	17110525
17064905	17067107	17082754	17078336	17083825	17079787	94212300	94212300
17064909	17067111	17082755	17082755	17083826	17079773		
17064920	17068207	17082770	17078424	17083827	17079614		
17064921	17068208	17082772	17078401	17083830	17079774		
17064924	17068209	17082774	17078402	17083831	17079775		
17070185	17067116	17082777	17078403	17083833	17079776		
17075507	17067367	17082778	17066238	17083834	17079788		
17075587	17078433	17082784	17078408	17083838	17079704		
17075598	17075598	17082785	17078412	17083842	17079833		
17075610	17068014	17082786	17078415	17084700	17110457		
17075611	17068015	17082787	17079696	17084701	17110458		
17075613	17068164	17082791	17078404	17084702	17110592		
17075614	17068176	17082804	17078986	17084703	17110459		
17075616	17068158	17082805	17078987	17084704	17110593		
17075617	17068159	17082807	17078423	17084705	17110460		
17075627	17068163	17082812	17078405	17084706	17110461		
17075628	17068564	17082814	17078406	17084713	17110463		
17075629	17068565	17082817	17078428	17084715	17110464		
17075635	17068270	17082819	17078413	17084719	17110465		
17075636	17068274	17082826	17078919	17084720	17110466		
17075647	17075647	17082828	17078425	17084721	17110467		
17075675	17052669	17082831	17078432	17084722	17110468		
17075677	17068217	17082832	17079186	17084724	17110469		
17075679	17078427	17082835	17082835	17084725	17110470		
17075680	17078411	17082836	17078431	17084728	17084728		
17075682	17078386	17082837	17079013	17084729	17110471		
17075690	17078387	17082838	17079660	17084731	17110472		
17075704	17075704	17082839	17079014	17084732	17110473		
17075707	17068179	17083701	17079673	17084733	17110474		
17075708	17068180	17083702	17083702	17084735	17110475		
17075709	17068181	17083705	17079799	17084736	17110476		
17075716	17068182	17083709	17079685	17084737	17110477		
17075717	17068183	17083715	17079614	17084743	17110478		
17075719	17068184	17083720	17079616	17084744	17110479		
17075720	17068193	17083722	17079618	17084745	17110480		
17075724	17078417	17083724	17079620	17084746	17110481		
17075725	17078418	17083725	17079621	17084749	17110483		
17075726	17078419	17083726	17079622	17084763	17110485		
17075727	17078420	17083730	17079626	17084765	17110487		
17075728	17068201	17083731	17079627	17084767	17110489		
17075733	17068212	17083732	17079628	17084770	17110430		
17075764	17068213	17083741	17079674	17084773	17084773		
17078628	17068564	17083743	17079370	17084774	17110492		

FUEL - EXHAUST - CARBURETION

E. G. R. VALVES
CROSS-REFERENCED FROM
SERVICE TO PRODUCTION NO.S

SERV	PROD	SERV	PROD	SERV	PROD	SERV	PROD
1622175	1622175	17078335	17082753	17079674	17083741	17110492	17084774
17052669	7043133	17078336	17082754	17079675	17083749	17110493	17084782
17052669	17075675	17078337	17082748	17079676	17083753	17110495	17084783
17063334	17063334	17078338	17082749	17079677	17083813	17110496	17084784
17063335	17063335	17078380	17082711	17079678	17083808	17110497	17084785
17063337	17063337	17078381	17082714	17079681	17083771	17110499	17084786
17065073	17056373	17078382	17082716	17079682	17083778	17110499	17084787
17065854	17060487	17078383	17082720	17079685	17083789	17110503	17084799
17065871	17062581	17078384	17082723	17079686	17083762	17110504	17084800
17065899	17061104	17078386	17075683	17079686	17083764	17110505	17084801
17065900	17061108	17078387	17075690	17079687	17083765	17110506	17084813
17066197	17063336	17078389	17082712	17079692	17083816	17110507	17084814
17066199	17063338	17078398	17082704	17079693	17083818	17110508	17084815
17066200	17063339	17078400	17082710	17079696	17082787	17110509	17084816
17066202	17063341	17078401	17082772	17079697	17083762	17110510	17084817
17066205	17063366	17078402	17082774	17079698	17083763	17110511	17084818
17066208	17063369	17078403	17082777	17079699	17083764	17110512	17084819
17066209	17063370	17078404	17082791	17079700	17083765	17110513	17084820
17066238	17063778	17078405	17082812	17079703	17083763	17110514	17084822
17066238	17082778	17078406	17082814	17079704	17083838	17110515	17084823
17066263	17063777	17078408	17082784	17079773	17083826	17110516	17084824
17066265	17064035	17078409	17082713	17079774	17083830	17110517	17084825
17066862	17062706	17078410	17082722	17079775	17083831	17110518	17084826
17066871	17058426	17078411	17075680	17079776	17083833	17110519	17084827
17067107	17064905	17078412	17082785	17079783	17064057	17110520	17084828
17067111	17064909	17078413	17082819	17079784	17083822	17110522	17084830
17067116	17070185	17078415	17082786	17079785	17083823	17110523	17084831
17067367	17075507	17078417	17075724	17079787	17083825	17110525	17084836
17068014	17075610	17078419	17075725	17079788	17083834	17110527	17084702
17068015	17075611	17078419	17075726	17079799	17033821	17110529	17084704
17068158	17075616	17078420	17075727	17079799	17083705	17110529	17084794
17068159	17075617	17078421	17082709	17079833	17083842	17110529	17084821
17068163	17075627	17078423	17082807	17079843	17083819	94212300	94212300
17068164	17075613	17078424	17082770	17079862	17083804		
17068176	17075614	17078425	17082828	17079863	17083814		
17068179	17075707	17078426	17063995	17082755	17082755		
17068180	17075708	17078427	17075679	17082835	17082835		
17068181	17075709	17078427	17078675	17083702	17083702		
17068182	17075716	17078428	1708281	17083810	17083810		
17068183	17075717	17078430	17082728	17083810	17083810		
17068184	17075719	17078431	17082836	17084728	17084728		
17068187	17058341	17078432	17082831	17084773	17084773		
17068188	17063776	17078433	17075587	17110457	17084700		
17068193	17075720	17078912	17082741	17110458	17084701		
17068195	17063333	17078913	17082742	17110459	17084703		
17068196	17062705	17078919	17082826	17110460	17084705		
17068197	17062707	17078986	17082804	17110461	17084706		
17068201	17075728	17078987	17082805	17110463	17084713		
17068207	17064920	17079013	17082837	17110464	17084715		
17068208	17064921	17079014	17082839	17110465	17084719		
17068209	17064924	17079186	17082832	17110466	17084720		
17068212	17075733	17079370	17083743	17110467	17084721		
17068213	17075764	17079563	17083793	17110468	17084722		
17068216	17082726	17079563	17083824	17110469	17084724		
17068217	17075677	17079563	17082705	17110470	17084725		
17068225	17082730	17079614	17083715	17110471	17084729		
17068226	17082731	17079614	17083827	17110472	17084731		
17068227	17082732	17079616	17083720	17110473	17084732		
17068229	17082734	17079618	17083722	17110474	17084733		
17068233	17082738	17079620	17083724	17110475	17084735		
17068234	17082739	17079621	17083725	17110476	17084736		
17068270	17075635	17079622	17083726	17110477	17084737		
17068274	17075636	17079626	17083730	17110478	17084743		
17068564	17075628	17079627	17083731	17110479	17084744		
17068564	17078628	17079628	17083732	17110480	17084745		
17068565	17075629	17079633	17083744	17110481	17084746		
17075598	17075598	17079636	17083748	17110483	17084749		
17075647	17075647	17079660	17082838	17110485	17084763		
17075704	17075704	17079668	17083807	17110487	17084765		
17078333	17082751	17079668	17082729	17110489	17084767		
17078334	17082752	17079673	17083701	17110490	17084770		

PARTS

C

A

R

B

S

CORVETTE

MODEL REFERENCE

1978 ROCHESTER 4BC

Follow procedure outlined below to determine carburetor and/or part number.

1. Determine vehicle model, check VIN DIVISION CODE.
2. Determine engine and carburetor type.
3. Part number can be determined by cross referencing corresponding column number with same column number on chart.

PRODUCTION	VIN DIV. CODE	USAGE	COL. NO.
17058582	1	B, F, X, Y (350) w/A.T., Alt. (exc. A.C.)	3
17058584	1	B, F, X, Y (350) w/A.T., A.C., Alt.	4
17058202	1	B, F, Y (305L) w/A.T., Fed. (exc. A.C., Spl. Hi Perf.)	1
17058204	1	B, F, Y (350L) w/A.T., A.C., Fed. (exc. Spl. Hi Perf.)	2
17058204	1	B, F, Y (350L) w/A.T., A.C., Fed. (exc. Spl. Hi Perf.) (1st Design)	2
17058203	1	Y (350) w/M.T. (M20)	7
17058210	1	Y (350) w/A.T., Spl. Hi Perf.	10
17058211	1	Y (350) w/M.T. Spl. Hi Perf. (exc. A.C.)	8
17058228	1	Y (350) w/A.T., A.C. Spl. Hi Perf.	9
17058502	1	Y (350) w/A.T., Calif. (exc. A.C.)	6
17058504	1	Y (350) w/A.C., Calif. A.T.	5
17058206	1	Y (350) w/A.T., A.C., Fed. (exc. Spl. Hi Perf.) (2nd Design)	11

1978 ADDITIONAL ATTACHING PARTS

VIN CODE	GROUP	MODEL USAGE	NOUN NAME & DESCRIPTION	QTY.	PART NO.
4	3.726	All (301 4 BC)	Adapter, carb. to int. mflid.	1	10000787
4	3.726	All (301 2 BC)	Adapter, carb. to int. mflid.	1	10014581
1	3.734	All	Cap, inlt. mflid. vac. ftg.	AR	343350
12	3.734	All (151)	Cap, emission vac. ftg.	1	343350
2 4	3.734	All (231, 305, 350L)	Cap, inlt. mflid. vac. ftg.	1	343350
4	3.734	All (231G-3)	Cap, cruise cont. ftg.	1	343350
2 4	3.734	All (301, 400)	Cap, carb. vac. ftg.	1	343350
4	3.734	All (350H, J)	Cap, inlt. mflid. vac. ftg.	1	343350
3	3.725	All (260)	Connector, vac. break T.V.S. (2-way nylon)	1	560625
123	3.750	H (151-1)	Control, closed loop electronic	1	16001672
123	3.755	All (151-1) w/M.T., Calif.	Control, closed looped electronic	1	16004772
123	3.726	All (151)	Gasket, int. mflid. to rad. heat shield	1	331161
1 4	3.726	All (196)	Gasket, carb. to mflid.	1	1257135
1234	3.726	All (231A)	Gasket, carb. to mflid.	1	1257135
3	3.726	All (260)	Gasket, carb.	1	559342
4	3.726	All (231-3)	Gasket, carb. plenum	1	1245915
4	3.726	All (231G-3)	Gasket, EGR chmbr. to plnm. to mflid.	1	25504639
4	3.726	All (231-2)	Gasket, carb. to mflid.	1	1259038
2 4	3.726	All (301 2 BC)	Gasket, carb. to adapter	1	10013919
2 4	3.726	All (301 2 BC)	Gasket, carb. adapter to int. mflid.	1	10001774
2 4	3.726	All (301 4 BC)	Gasket, carb. adapter to int. mflid.	1	10001650
2 4	3.726	All (301 4 BC)	Gasket, carb. to adapter	1	10001651
234	3.726	All (350R, 403)	Gasket, flange	1	419047
6	3.726	All (425)	Gasket, carb. to mflid.	1	1494992
2 4	3.726	All (400)	Gasket, carb. to dist. plate	1	498796
123	3.726	H (140)	Insulator, carb. heat	1	14015698
123	3.726	All (151)	Insulator, carb. to radiant heat shield	1	10016832
1	3.726	B, F, X (250)	Insulator, carb. heat	1	333977
1234	3.726	All (305, 2BC)	Insulator, carb. ht.	1	336060
3	3.726	A (350H, L)	Insulator, carb. heat	1	354310
1234	3.726	All (305H, 350L)	Insulator, carb. heat	1	354310
2 4	3.726	All (350X)	Insulator, carb. mtg.	1	25505329
1	3.726	T	Insulator, carb. heat	1	466347
4	3.726	T	Insulator, carb. heat	1	94213777
4	3.755	All (231-2)	Modulator, eng. vac.	1	25509370
1234	3.750	All (305U)	Pipe, choke air	1	355921
1234	3.750	All (305H, 350L)	Pipe, choke air	1	14006748
1234	3.750	All (305, 350L)	Pipe, choke heat	1	355918
234	3.750	All (350R, 403)	Pipe, choke clean air	1	419302
123	3.750	A (231A) w/gages	Relay, choke htr. cont.	1	470374
4	3.750	H (231-2)	Relay, choke	1	16004414
123	3.726	All (151)	Shield, carb. heat	1	10002817
4	3.750	All (400)	Shield, choke hsg.	1	10003937
6	3.820	All (350B)	Solenoid, AC idle compensator	1	1613608
3	3.755	All (260)	Switch, thermo. vac. (choke)	1	3039026
34	3.755	All (350R, 403)	Switch, thermo. vac. (choke)	1	3039026
34	3.755	All (350R, 403 w/Calif.) (exc. E)	Switch, thermo. vac. (egr. & dist.)	1	3033753
4	3.755	All (231-2)	Switch, thermo. vac. (choke)	1	3035810
6	3.755	C w/nd. (exc. E.F.I.)	Switch, thermo. vac. (choke)	1	3035810
3	3.755	E (403) w/Calif.	Switch, thermo. vac. (egr.)	1	3033753
1 4	3.755	All (196)	Valve, carb. vac. break	1	3031518
1234	3.755	All (231A)	Valve, carb. vac. break	1	3031518
2 4	3.755	All (301, 400)	Valve, carb. vac. break	1	3031518

CORVETTE
1978 ROCHESTER 4 BC
 (See Model Reference for Application)

GROUP	DESCRIPTION	QTY.	1	2	3	4	5
3.725	CARBURETOR (Production)	1	17058202	17058204	17058582	17058584	17058504
3.725	CARBURETOR (Service)	1	17055804	17055804	17055874	17055874	17055805
3.724	GASKET KIT	1	17055705	17055705	17055705	17055705	17055705
3.725	OVERHAUL KIT	1	17055706	17055706	17055727	17055727	17055727
3.725	POWER CARB KIT	1	7039349	7039349	7039349	7039349	7039349
3.730	AIR HORN	1	17055703	17055703	17055703	17055703	17055703
3.740	BAFFLE, float bowl	1	7031365	7031365	7031365	7031365	7031365
3.825	BALL, pump discharge	1	7002117	7002117	7002117	7002117	7002117
3.729	BODY ASM., throttle	1	17061441	17061441	17060356	17060356	17060356
3.734	BOWL ASM., float	1	17065160	17065160	17055704	17055704	17055704
3.766	CAM, fast idle	1	17051176	17051176	17051176	17051176	17051176
3.750	CHOKE HOUSING KIT	1	17055546	17055546	17055546	17055546	17055546
3.814	CLIP, float needle (pull)	1	7033751	7033751	7033751	7033751	7033751
3.740	FILTER, fuel inlet	1	5651803	5651803	5651803	5651803	5651803
3.740	FILTER NUT, fuel inlet	1	17051254	17051254	17051254	17051254	17051254
3.745	FLOAT ASM.	1	7043379	7043379	7043379	7043379	7043379
3.738	GASKET, air horn	1	17056357	17056357	17056357	17056357	17056357
3.740	GASKET, filter nut	1	7024281	7024281	7024281	7024281	7024281
3.750	GASKET, stat cover	1	17050961	17050961	17050961	17050961	17050961
3.806	HOLDER KIT, secondary metering rod	1	7034522	7034522	7034522	7034522	7034522
3.822	IDLE NEEDLE	AR	7048531	7048531	7048531	7048531	7048531
3.806	INSERT, aneroid cavity	1	17051796	17051796	17051796	17051796	17051796
3.734	INSERT, float bowl	1	7041471	7041471	7041471	7041471	7041471
3.792	JET, primary	AR	7031977	7031977	7031971	7031971	7031971
3.766	LEVER, cam follower	1	7041497	7041497	7041497	7041497	7041497
3.766	LEVER, choke	1	7041542	7041542	7041542	7041542	7041542
3.752	LEVER, coil	1	7041499	7041499	7041499	7041499	7041499
3.766	LEVER, fast idle	1	7041498	7041498	7041498	7041498	7041498
3.752	LEVER, inter choke	1	7031231	7031231	7031231	7031231	7031231
3.842	LEVER, pump actuating	1	7048169	7048169	7048169	7048169	7048169
3.752	LEVER, lockout (sec.)	1	7041473	7041473	7041473	7041473	7041473
3.752	LEVER, stat. cover	1	—	—	—	—	NS
3.755	LINK, aux vac break	1	NS	NS	NS	NS	—
3.755	LINK, aux vacuum break choke side	1	—	—	—	—	NS
3.814	NEEDLE & SEAT	1	7035134	7035134	7035134	7035134	7035134
3.747	PIN, float hinge	1	7041469	7041469	7041469	7041469	7041469
3.858	POWER PISTON	1	17051792	17051792	17051792	17051792	17051792
3.838	PUMP ASM.	1	7048874	7048874	7048874	7048874	7048874
3.852	RETAINER, pump discharge ball	1	7029849	7029849	7029849	7029849	7029849
3.750	RETAINER, stat. cover	AR	7000614	7000614	7000614	7000617	7000614
3.752	ROD, choke	1	7041472	7041472	7041472	7041472	7041472
3.752	ROD, inter choke	1	—	—	—	—	—
3.858	ROD, power piston	1	—	—	—	—	—
3.843	ROD, pump	1	7026138	7026138	7026138	7026138	7026138
3.806	ROD, metering (sec.)	AR	7045779	7045779	7045779	7045779	7045779
3.755	ROD, vac break	1	7041527	7041527	7041527	7041527	7041527
3.806	ROD ASM., metering (prim.)	1	17051352	17051352	17051341	17051341	17051341
3.730	SCREW, air horn	AR	7014699	7014699	7014699	7014699	7014699
3.730	SCREW, air horn (long)	AR	7029912	7029912	7029912	7029912	7029912
3.730	SCREW, air horn (short)	AR	7031105	7031105	7031105	7031105	7031105
3.755	SCREW, aux vac break	1	—	—	—	—	—
3.444	SCREW, bracket attach., aux vac break	AR	NS	NS	NS	7043682	7043682
3.767	SCREW, cam & fast idle levers	1	—	—	—	—	—
3.750	SCREW, choke hsg. to bowl	1	7038808	7038308	7038808	7038808	7038808

CORVETTE
1978 ROCHESTER 4 BC (Continued)
(See Model Reference for Application)

GROUP	DESCRIPTION	QTY.	1	2	3	4	5
3.752	SCREW, choke lever	1	7029866	7029866	7029366	7029866	7029866
3.751	SCREW, choke valve	AR	7029866	7029866	7029866	7029866	7029866
3.752	SCREW, coil lever	1	7019709	7019709	7019709	7019709	7019709
3.755	SCREW, control attach.	AR	17050732	17050732	17050732	17050732	17050732
3.766	SCREW, fast idle adj.	1	7044794	7044794	7044794	7044794	7044794
3.767	SCREW, fast idle lever	1	7036079	7036079	7036079	7036079	7036079
3.761	SCREW, idle stop	1	3960392	3960392	3960392	3960392	3960392
3.444	SCREW, throttle stop		—	—	—	—	—
3.741	SCREW, throttle body	AR	7035790	7035790	7035790	7035790	7035790
3.752	SEAL, choke hsg. to bowl	1	7043367	7043367	7043367	7043367	7043367
3.752	SEAL, inter. choke shaft	AR	7037569	7037569	7037569	7037569	7037569
3.752	SHAFT ASM., choke	1	7038259	7038259	7038259	7038259	7038259
3.750	SHAFT ASM., choke w/lever		—	—	—	—	—
3.752	SHAFT & LEVER ASM., inter choke	1	17050754	17050754	17050754	17050754	17050754
3.440	SOLENOID UNIT, w/brkt.	1	NS	NS	NS	1997461	1997461
3.766	SPRING, cam follower		—	—	—	—	—
3.766	SPRING, cam lever	1	17051494	17051494	17051494	17051494	17051494
3.766	SPRING, fast idle screw	1	7029900	7029900	7029900	7029900	7029900
3.740	SPRING, fuel filter	1	7043568	7043568	7043568	7043568	7043568
3.823	SPRING, idle needle	AR	7011479	7011479	7011479	7011479	7011479
3.766	SPRING, idle stop screw	1	7003176	7003176	7003176	7003176	7003176
3.810	SPRING, metering rod (prim.)	1	7041459	7041459	7041459	7041459	7041459
3.859	SPRING, pwr. piston	1	7029529	7036019	7036019	7036019	7036019
3.841	SPRING, pump return	1	7042979	7042979	7042979	7042979	7042979
3.757	SPRING, w/cam	1	7035344	7035344	7035344	7035344	7035344
3.750	STAT. COVER & COIL, elect.		—	—	—	—	NS
3.750	STAT. COVER, COIL & GASKET	1	17051918	17051918	17051918	17051918	17051918
3.761	STOP UNIT, carb throttle		—	—	—	—	—
3.755	VACUUM BREAK & BRACKET, (choke side) (aux)		—	—	—	—	NS
3.755	VACUUM BREAK & BRACKET, rear (aux)		—	—	—	—	—
3.755	VACUUM BREAK CONT.		—	—	—	—	—
3.755	VACUUM BREAK CONT. ASM., (aux)	1	NS	NS	NS	NS	—
3.755	VACUUM BREAK CONTROL & BRACKET, choke side	1	17050759	17050759	17050759	17050759	17050759
3.751	VALVE, choke	1	7048904	7048904	7048904	7048904	7048904

CORVETTE
1978 ROCHESTER 4 BC
 (See Model Reference for Application)

GROUP	DESCRIPTION	QTY.	6	7	8	9	10
3.725	CARBURETOR (Production)		17058502	17058203	17058211	17058228	17058210
3.725	CARBURETOR (Service)		17055805	17055803	17055801	17055888	17055810
3.724	GASKET KIT	1	17055705	17055705	17055705	17055705	17055705
3.725	OVERHAUL KIT	1	17055727	17055706	17055904	17055904	17055904
3.725	POWER CARB KIT	1	7039349	7039349	7039353	7039353	7039353
3.730	AIR HORN	1	17055703	17055703	17055901	17055901	17055901
3.740	BAFFLE, float bowl	1	7031365	7031365	7031365	7031365	7031365
3.825	BALL, pump discharge	1	7002117	7002117	7002117	7002117	7002117
3.729	BODY ASM., throttle	1	17060356	17060387	17058775	17060861	17060861
3.734	BOWL ASM., float	1	17055704	17055704	17055902	17055902	17055902
3.766	CAM, fast idle	1	17051176	17051176	17051176	17051176	17051176
3.750	CHOKE HOUSING KIT	1	17055546	17055546	17055545	17055545	17055545
3.814	CLIP, float needle (pull)	1	7033751	7033751	7033751	7033751	7033751
3.740	FILTER, fuel inlet	1	5651803	5651803	5651803	5651803	5651803
3.740	FILTER NUT, fuel inlet	1	17051254	17051254	17051254	17051254	17051254
3.745	FLOAT ASM.	1	7043379	7043379	7043379	7043379	7043379
3.738	GASKET, air horn	1	17056357	17056357	17056357	17056357	17056357
3.740	GASKET, filter nut	1	7024281	7024281	7024281	7024281	7024281
3.750	GASKET, stat cover	1	17050961	17050961	17050961	17050961	17050961
3.806	HOLDER KIT secondary metering rod	1	7034522	7034522	7034522	7034522	7034522
3.822	IDLE NEEDLE	AR	7048531	7048531	7048531	7048531	7048531
3.806	INSERT, aneroid cavity	1	17051796	17051796	17051796	17051796	17051796
3.734	INSERT, float bowl	1	7041471	7041471	704147	7041471	7041471
3.792	JET, primary	AR	7031971	7031977	7031977	7031977	7031977
3.766	LEVER, cam follower	1	7041497	7041497	7041497	7041497	7041497
3.766	LEVER, choke	1	7041542	7041542	7041542	7041542	7041542
3.752	LEVER, coil	1	7041499	7041499	7041499	7041499	7041499
3.766	LEVER, fast idle	1	7041498	7041498	7041498	7041498	7041498
3.752	LEVER, inter choke	1	7031231	7031231	7031231	7031231	7031231
3.842	LEVER, pump actuating	1	7048169	7048169	7048169	7048169	7048169
3.752	LEVER, lockout (sec.)	1	7041473	7041473	7041473	7041473	7041473
3.752	LEVER, stat. cover		NS	—	—	—	7043368
3.755	LINK, aux vac break	1	—	NS	NS	NS	—
3.755	LINK, aux vacuum break choke side		NS	—	—	—	—
3.814	NEEDLE & SEAT	1	7035134	7035134	7035134	7035134	7035134
3.747	PIN, float hinge	1	7041469	7041469	7041469	7041469	7041469
3.858	POWER PISTON	1	17051792	17051792	17051792	17051792	17051792
3.838	PUMP ASM.	1	7048874	7048874	17051374	17051374	17051374
3.852	RETAINER, pump discharge ball	1	7029849	7029849	7029849	7029849	7029849
3.750	RETAINER, stat. cover	AR	7000614	7000614	7000614	7000614	7000614
3.752	ROD, choke	1	7041472	7041472	7041472	7041472	7041472
3.752	ROD, inter choke		—	—	—	—	—
3.858	ROD, power piston		—	—	—	—	—
3.843	ROD, pump	1	7026138	7026138	7026138	7026138	7026138
3.806	ROD, metering (sec.)	AR	7045779	7045779	7045779	7045779	7045779
3.755	ROD, vac break	1	7041527	7041527	7041527	7041527	7041527
3.806	ROD ASM., metering (prim.)	AR	17051341	17051352	17051353	17051353	—
3.730	SCREW, air horn	AR	7014699	7014699	7014699	7014699	7014699
3.730	SCREW, air horn (long)	AR	7029912	7029912	7029912	7029912	7029912
3.730	SCREW, air horn (short)	AR	7031105	7031105	7031105	7031105	7031105
3.755	SCREW, aux vac break	AR	—	7043682	—	—	—
3.444	SCREW, bracket attach., aux vac break	AR	7043682	NS	NS	7043682	—
3.767	SCREW, cam & fast idle levers	1	—	7036079	—	—	—
3.750	SCREW, choke hsg. to bowl	1	7038808	7038808	7038808	7038808	7038808

CORVETTE
1978 ROCHESTER 4 BC (Continued)
 (See Model Reference for Application)

GROUP	DESCRIPTION	QTY.	6	7	8	9	10
3.752	SCREW, choke lever	1	7029866	7029866	7029866	7029866	7029866
3.751	SCREW, choke valve	AR	7029866	7029866	7029866	7029866	7029866
3.752	SCREW, coil lever	1	7019709	7019709	7019709	7019709	7019709
3.755	SCREW, control attach.	AR	17050732	17050732	17050732	17050732	17050732
3.766	SCREW, fast idle adj.	1	7044794	7044794	7044794	7044794	7044794
3.767	SCREW, fast idle lever	1	7036079	—	7036079	7036079	7036079
3.761	SCREW, idle stop	1	3960392	3960392	3960392	3960392	3960392
3.444	SCREW, throttle stop	—	—	—	—	—	—
3.741	SCREW, throttle body	AR	7035790	7035790	7035790	7035790	7035790
3.752	SEAL, choke hsg. to bowl	1	7043367	7043367	7043367	7043367	7043367
3.752	SEAL, inter. choke shaft	AR	7037569	7037569	7037569	7037569	7037569
3.752	SHAFT ASM., choke	1	7038259	7038259	7038259	7038259	7038259
3.750	SHAFT ASM., choke w/lever	—	—	—	—	—	—
3.752	SHAFT & LEVER ASM., inter choke	1	17050754	17050754	17050754	17050754	17050754
3.440	SOLENOID UNIT, w/brkt.	1	NS	NS	NS	1997461	—
3.766	SPRING, cam follower	—	—	—	—	—	—
3.766	SPRING, cam lever	1	17051494	17051494	17051494	17051494	17051494
3.766	SPRING, fast idle screw	1	7029900	7029900	7029900	7029900	7029900
3.740	SPRING, fuel filter	1	7043568	7043568	7043568	7043568	7043568
3.823	SPRING, idle needle	AR	7011479	7011479	7011479	7011479	7011479
3.766	SPRING, idle stop screw	1	7003176	7003176	7003176	7003176	7003176
3.810	SPRING, metering rod (prim.)	1	7041459	7041459	7041459	7041459	7041459
3.859	SPRING, pwr. piston	1	7036019	7029529	17052057	17052057	17052057
3.841	SPRING, pump return	1	7042979	7042979	7042979	7024979	7042979
3.757	SPRING, w/cam	1	7035344	7035344	7035344	7035344	7035344
3.750	STAT. COVER & COIL, elect.	1	NS	NS	—	—	—
3.750	STAT. COVER, COIL & GASKET	1	17051918	17051918	17051918	17051918	17051918
3.761	STOP UNIT, carb throttle	—	—	—	—	—	—
3.755	VACUUM BREAK & BRACKET, (choke side) (aux)	1	NS	NS	NS	NS	—
3.755	VACUUM BREAK & BRACKET, rear (aux)	—	—	—	—	—	—
3.755	VACUUM BREAK CONT.	—	—	—	—	—	—
3.755	VACUUM BREAK CONT. ASM., (aux)	—	—	17050759	—	—	—
3.755	VACUUM BREAK CONTROL & BRACKET, choke side	1	17050759	—	17053201	17050759	—
3.751	VALVE, choke	1	7048904	7048904	7048904	7048904	7048904

CORVETTE
1978 ROCHESTER 4 BC
(See Model Reference for Application)

GROUP	DESCRIPTION	QTY.	11
3.725	CARBURETOR (Production)		17058206
3.725	CARBURETOR (Service)	1	17065716
3.724	GASKET KIT	1	17065708
3.725	OVERHAUL KIT	1	17065709
3.725	POWER CARB KIT	1	7039388
3.730	AIR HORN	1	17055703
3.740	BAFFLE, float bowl	1	7021365
3.825	BALL, pump discharge	1	7002117
3.729	BODY ASM., throttle	1	17061441
3.734	BOWL ASM., float	1	17065160
3.766	CAM, fast idle	1	17051176
3.750	CHOKE HOUSING KIT	1	17065328
3.814	CLIP, float needle (pull)	1	7033751
3.740	FILTER, fuel inlet	1	5651803
3.740	FILTER NUT, fuel inlet	1	17051254
3.745	FLOAT ASM.	1	7043379
3.738	GASKET, air horn	1	17056357
3.740	GASKET, filter nut	1	7024281
3.750	GASKET, stat cover	1	17050961
3.806	HOLDER KIT, secondary metering rod	1	7034522
3.822	IDLE NEEDLE	AR	7048531
3.806	INSERT, aneroid cavity	1	17051796
3.734	INSERT, float bowl	1	7041471
3.792	JET, primary	AR	7031976
3.766	LEVER, cam follower	1	7041497
3.766	LEVER, choke	1	7041542
3.752	LEVER, coil	1	7041499
3.766	LEVER, fast idle	1	7041498
3.752	LEVER, inter choke	1	7031231
3.842	LEVER, pump actuating	1	7048169
3.752	LEVER, lockout (sec.)	1	7041473
3.752	LEVER, stat. coil		—
3.755	LINK, aux vac break		—
3.755	LINK, aux vacuum break choke side		—
3.814	NEEDLE & SEAT	1	7035134
3.747	PIN, float hinge	1	7041469
3.858	POWER PISTON	1	17051792
3.838	PUMP ASM.	1	7048874
3.852	RETAINER, pump discharge ball	1	7029849
3.750	RETAINER & SCREW KIT, stat cover	1	17065330
3.750	RETAINER, stat. cover	AR	—
3.752	ROD, choke	1	7041472
3.752	ROD, inter choke	1	—
3.858	ROD, power piston		—
3.843	ROD, pump	1	7026138
3.806	ROD, metering (sec.)	AR	7045779
3.755	ROD, vac break	1	7041527
3.806	ROD ASM., metering (prim.)	AR	17051352
3.730	SCREW, air (long)	AR	7014699
3.730	SCREW, air (short)	AR	7029912
3.730	SCREW, air (short)	AR	7031105
3.755	SCREW, aux vac break		7043682
3.444	SCREW, bracket attach., aux vac break	AR	—
3.767	SCREW, cam & fast idle levers		—
3.750	SCREW, choke hsg. to bowl	1	7038808

FUEL — EXHAUST — CARBURETION

V44

CORVETTE
1978 ROCHESTER 4 BC (Continued)
(See Model Reference for Application)

GROUP	DESCRIPTION	QTY.	11
3.752	SCREW, choke lever	1	7029855
3.751	SCREW, choke valve	AR	7029866
3.752	SCREW, coil lever	1	7019709
3.755	SCREW, control attach.	AR	17050732
3.766	SCREW, fast idle adj.	1	7044794
3.767	SCREW, fast idle lever attach	1	7036079
3.761	SCREW, idle stop	1	3960392
3.444	SCREW, throttle stop	1	—
3.741	SCREW, throttle body	AR	7035790
3.752	SEAL, choke hsg. to bowl	1	7043367
3.752	SEAL, inter. choke shaft	AR	7037569
3.752	SHAFT ASM., choke	1	7038259
3.750	SHAFT ASM., choke w/lever	1	—
3.752	SHAFT & LEVER ASM., inter choke	1	17050754
3.440	SOLENOID UNIT, w/brkt.	1	1997461
3.766	SPRING, cam follower	—	—
3.766	SPRING, cam lever	1	17051494
3.766	SPRING, fast idle screw	1	7029900
3.740	SPRING, fuel filter	1	7043568
3.823	SPRING, idle needle	AR	7011479
3.766	SPRING, idle stop screw	1	7003176
3.810	SPRING, metering rod (prim.)	1	7041459
3.859	SPRING, pwr. piston	1	7029529
3.841	SPRING, pump return	1	7042979
3.757	SPRING, w/cam	1	7035344
3.750	STAT. COVER & COIL, elect	—	—
3.750	STAT. COVER, COIL & GASKET	1	17065326
3.761	STOP UNIT, carb throttle	1	—
3.755	VACUUM BREAK & BRACKET, (choke side) (aux)	—	—
3.755	VACUUM BREAK & BRACKET, rear (aux)	—	—
3.755	VACUUM BREAK CONT.	1	—
3.755	VACUUM BREAK CONT. ASM., (aux)	—	—
3.755	VACUUM BREAK CONTROL & BRACKET, choke side	1	17050759
3.751	VALVE, choke	1	7048904

MICROFICHE INDEX

GROUP 3.000

FICHE 2 OF 6

GROUP DESCRIPTION	STARTING GRID LOCATION	
	PARTS ILLUSTRATIONS	
- INTRODUCTION	A-6	I-2
- GENERAL INFORMATION	A-2	I-2
- ALPHABETICAL INDEX	C-11	N.A.
- INDEX FOR ADDITIONAL INFORMATION	A-5	N.A.
3,000 FUEL - EXHAUST - CARBURETION	E-2	I-6
- CARBURETOR CHARTS	F-20	N.A.
- OUT OF FICHE CALLS	N.A.	N-9

G-1

CORVETTE

MODEL REFERENCE

1979 ROCHESTER 4BC

Follow procedure outlined below to determine carburetor and/or part number.

1. Determine vehicle model, check VIN DIVISION CODE.
2. Determine engine and carburetor type.
3. Part number can be determined by cross referencing corresponding column number with the same column number on charts.

PRODUCTION	VIN		USAGE	COL. NO.
	DIV. CODE			
17059203	1		Y w/M.T. (exc. SP H/Per)	1
17059216	1		Y (350) w/A.T., A.C., Fed. (exc. SP H/Per)	2
17059210	1		Y w/SP H/Per, A.T. (exc. A.C.)	3
17059211	1		Y w/SP H/Per, M.T.	4
17059217	1		Y (350) w/A.T., Fed. (exc. A.C., SP H/Per)	5
17059228	1		Y w/SP H/Per, A.T., A.C.	6
17059502	1		Y w/A.T., Calif. (exc. A.C.) (Stamped 17059502)	7
17059504	1		Y w/A.T., A.C., Calif. (Stamped 17059504)	8
17059582	1		Y w/Alt. (exc. A.C., SP H/Per)	9
17059534	1		Y w/A.C., Alt. (exc. SP H/Per)	10
17059507	1	5	Y (350L) w/A.T., Calif., A.C. (Stamped 17059507)	11

1979 ADDITIONAL ATTACHING PARTS

DIV.	GROUP	MODEL USAGE	NOUN NAME & DESCRIPTION	QTY.	PART NO.
2 4	3.726	All (301 4BC)	Adapter, carb. to int. mflid.	1	10000787
2 4	3.726	All (301 2BC)	Adapter, carb. to int. mflid.	1	10014581
3	3.726	All (301Y)	Adapter, carb. to int. mflid.	1	10014581
123	3.726	All (151V) w Fed.	Adapter, carb. to int. mflid.	1	10014244
123	3.726	All (151-9) w/Calif.	Adapter, carb. to int. mflid.	1	10008981
123	3.750	All (151V,9) (Exc. A.C)	Baffle, choke hsg. shield	1	10003942
123	3.763	All (151V, 9)	Bracket, ret. sprg. & cutoff sw.	1	10004199
123	3.763	All (151V, 9)	Bracket, thro' & downshift control cable	1	10005859
123	3.755	All (151-9) w/Calif. closed loop, A.T.	Calibrator, carb. controller	1	1224335
123	3.755	All (151-9) w/Calif. closed loop, A.T.	Calibrator, carb. controller	1	1224336
123	3.734	All (151)	Cap, Emissions vac. ftg.	1	343350
234	3.734	All (305, 350L)	Cap, inl. mflid. vac. ftg.	1	343350
234	3.734	All (301)	Cap, carb. vac. ftg.	1	343350
4	3.734	All (231G, 3)	Cap, cruise cont. ftg.	1	343350
CT	3.870	C314 (03) (350) (2 Bbl.)	Connector, gov. vlv. vac. hose	1	6268181
123	3.755	All (151-1) w/Calif.	Control, closed loop electronic	1	16001622
1234	3.755	All (231A) w/closed loop, Calif.	Controller, carb. (remanufactured) (w/o Calibrator)	1	1224330
123	3.726	All (151-1) w/Calif.	Gasket, int. mflid. to rad. heat shield	1	331161
234	3.726	All (350R-403)	Gasket, flange	1	419047
2	3.726	All (400)	Gasket, carb. to dist. plate	1	498796
3	3.726	All (260)	Gasket, carb.	1	559342
4	3.726	All (231-3)	Gasket, carb. plenum	1	1245915
4	3.726	A, B (231-3)	Gasket, EG, chmbr. to plnm to mflid.	1	25504639
6	3.726	All (425)	Gasket, carb. to mflid.	1	1494992
2 4	3.726	All (301 2BC)	Gasket, carb. to adapter	1	10013919
2 4	3.726	All (301 4BC)	Gasket, carb. to adapter to int. mflid.	1	10001650
2 4	3.726	All (301 4BC)	Gasket, carb. to adapter	1	10001651
2 4	3.726	All (301 2BC)	Gasket, carb. adapter to int. mflid.	1	10001774
123	3.726	All (151V, 9)	Gasket, carb. to int. mflid.	1	10004836
3	3.726	All (301Y)	Gasket, carb. adapter to int. mflid.	1	10001774
23 5	3.726	All (231)	Gasket, carb. to mflid.	1	25502203
1 4	3.726	All (196, 231A, 2)	Gasket, carb. to mflid.	1	25502203
4	3.726	T	Gasket, carb. insulator	1	94213777
123	3.726	All (151V, 9)	Insulator, carb. to adapter	1	10017667
1 5	3.726	All (V8 2BC)	Insulator, carb. heat	1	14037622
CT	3.726	All (305)	Insulator, carb. heat	1	14037622
2 4	3.726	All (350X)	Insulator, carb. mtg.	1	25505329
123	3.726	All (151-1) w/Calif.	Insulator, carb. to radiant heat shield	1	10016832
1	3.726	T (1st des.)	Insulator, carb. ht. (use w/466377 inlet mflid.)	1	14015698
1	3.726	T (2nd des.)	Insulator, carb. ht. (use w/14004454 inlet mflid.)	1	14015698
4	3.726	T	Insulator, carb. heat	1	94202260
CT	3.750	CK1-2 (305)	Insulator, auto choke therm	1	476343
1	3.726	B, F, X (250)	Insulator, cable ht.	1	333977
CT	3.726	P1	Insulator, carb. ht.	1	333977
CT	3.726	P2, 3 (42) (232)	Insulator, carb. ht.	1	333977
12345	3.726	All (305H, 350L)	Insulator, carb. int.	1	354310
CT	3.726	CKPG1, 2, 3 (V8) (exc. Diesel)	Insulator, carb. ht.	1	354310
234	3.726	All (305 G)	Insulator, carb. ht.	1	14037622
CT	3.726	CK1, 2 (250)	Insulator, carb. ht.	1	14033884
CT	3.726	G1, 2, 3 (250)	Insulator, carb. ht.	1	14033884
12345	3.726	All (305 20C)	Insulator, carb. ht.	1	336060
1234	3.843	All (151V, 9)	Link, carb. lvr. to idler lvr.	1	10005882
CT	3.818	CP1, 2, 3 (454)	Pipe, choke air inl.	1	354438
CT	3.818	CP1, 2, 3 (454)	Pipe, choke air outl.	1	354439

1979
ADDITIONAL ATTACHING PARTS
 (Continued)

DIV.	GROUP	MODEL USAGE	NOUN NAME & DESCRIPTION	QTY.	PART NO.
234	3.750	All (350R, 403)	Pipe, clean air	1	419302
1	5	3.750 A (267)	Pipe, choke air	1	14006703
	CT	3.750 All (305)	Pipe, choke air	1	14006703
1234	3.750	All (305G)	Pipe, choke air	1	14006703
1	3	5 3.750 A (231A) w/gages	Relay, choke htr. cont.	1	470374
	6	3.750 All (350N)	Relay, fast idle (9.277)	1	412686
	3	3.750 A (350N)	Relay, fast idle (9.277)	1	412686
	3	3.750 B, C, E w/diesel econ. pkg. (Y60)	Relay, fast idle	1	412686
	3	3.750 X (231) w/rally gages	Relay, elec. choke (9277)	1	10018448
123	3.726	All (151-1) w/Calif.	Choke, carb. heat	1	10002817
	2	3.750 All (400)	Shield, choke hsg.	1	10003937
	6	3.820 All (350B)	Solenoid, AC idle compensator	1	1613608
122	3.767	All (151V, 9)	Spacer, idler lvr. to int. mfl.	1	10005862
1234	3.726	All (151V, 9)	Stud., carb. to mfl. (M8 - 1.25 - 98)	2	9009159
234	3.755	All (231-2)	Switch, thermo. vac. (choke)	1	3035810
	6	3.755 All (425) w/Fed. (exc. E.F.I.)	Switch, thermo. vac. (choke)	1	3035810
234	3.755	All (350R, 403)	Switch, thermo. vac. (choke)	1	3039026
	3	3.755 All (260)	Switch, thermo. vac. (choke)	1	3039026
1234	3.755	All (231A)	Valve, carb. vac. break	1	3031518
	2	3.755 All (400)	Valve, carb. vac. break	1	3031518
234	3.755	All (301)	Valve, carb. vac. break	1	3031518
	4	3.755 E (231-3)	Valve, carb. vac. break	1	3031518
123	3.755	H (151V)	Valve, carb. vac. break	1	10012354

CORVETTE
1979 ROCHESTER 4 BC
(See Model Reference for Application)

GROUP	DESCRIPTION	QTY	1	2	3	4	5
3 725	CARBURETOR (Production)		17059203	17059216	17059210	17059211	17059217
3 725	CARBURETOR (Service)	1	17065500	17065699	17065576	17065575	17065699
3 724	GASKET KIT	1	17065432	17065432	17065432	17065432	17065432
3 725	POWER CARB KIT	1	7039371	7039371	7039372	7039372	7039371
3 730	AIR HORN	1	17055703	17055703	17055901	17055901	17055703
3 740	BAFFLE, float bowl	1	7031365	7031365	7031365	7031365	7031365
3 825	BALL, pump discharge	1	7002117	7002117	7002117	7002117	7002117
3 729	BODY ASM, throttle	1	17061363	17062717	17061366	17061367	17062717
3 734	BOWL ASM, float	1	17065430	17065430	17065436	17065436	17065430
3 459	BRACKET, throttle return spring	1	—	—	—	—	—
3 444	BRACKET & WASHER	1	—	—	—	—	—
3 766	CAM, fast idle	1	17061541	17061541	17061541	17061541	17061541
3 750	CHOKE HOUSING KIT	1	17065162	17065162	17055545	17055545	17065162
3 814	CLIP, float needle (pull)	1	7033751	7033751	7033751	7033751	7033751
3 820	COVER, idle compensator	1	—	—	—	—	—
3 740	FILTER, fuel inlet	1	5651803	5651803	5651803	5651803	5651803
3 740	FILTER NUT, fuel inlet	1	17051254	17051254	17051254	17051254	17051254
3 745	FLOAT ASM	1	7043379	7043379	7043379	7043379	7043379
3 738	GASKET, air horn	1	17056357	17056357	17056357	17056357	17056357
3 740	GASKET, filter	1	7024281	7024281	7024281	7024281	7024281
3 820	GASKET, idle compensator	1	—	—	—	—	—
3 750	GASKET, stat cover	1	17050961	17050961	17050961	17050961	17050961
3 806	HOLDER KIT, secondary metering rod	1	7034522	7034522	7034522	7034522	7034522
3 820	IDLE COMPENSATOR	1	—	—	—	—	—
3 822	IDLE NEEDLE	AR	17060612	17060612	17060612	17060612	17060612
3 806	INSERT, aneroid cavity	1	17051796	17051796	17051796	17051796	17051796
3 734	INSERT, float bowl	1	7041471	7041471	7041471	7041471	7041471
3 792	JET, primary	AR	7031972	7031972	7031977	7031977	7031972
3 766	LEVER, cam follower	1	7041497	7041497	7041497	7041497	7041497
3 766	LEVER, choke	1	7041542	7041542	7041542	7041542	7041542
3 752	LEVER, coil	1	7041499	7041499	7041499	7041499	7041499
3 766	LEVER, fast idle	1	7041498	7041498	7041498	7041498	7041498
3 752	LEVER, inter choke	1	7031231	7031231	7031231	7031231	7031231
3 842	LEVER, pump actuating	1	7048169	7048169	7048169	7048169	7048169
3 752	LEVER, lockout (sec.)	1	7041473	7041473	7041473	7041473	7041473
3 752	LEVER, stat. cover	1	—	—	—	—	—
3 755	LINK, aux vac break	1	—	—	—	—	—
3 755	LINK, aux vacuum break choke side	1	—	—	—	—	—
3 814	NEEDLE & SEAT	1	7035134	7035134	7035134	7035134	7035134
3 747	PIN, float hinge	1	7041469	7041469	7041469	7041469	7041469
3 855	POWER PISTON	1	17051792	17051792	17051792	17051792	17051792
3 838	PUMP ASM	1	17051117	17051117	17051374	17051374	17051117
3 657	RETAINER, pump discharge ball	1	7029849	7029849	7029849	7029849	7029849
3 750	RETAINER, stat. cover	AR	7000614	7000614	7000614	7000614	7000614
3 752	ROD, choke	1	7041472	7041472	7041472	7041472	7041472
3 752	ROD, inter choke	1	—	—	—	—	—
3 858	ROD, power piston	1	—	—	—	—	—
3 843	ROD, pump	1	7026138	7026138	7026138	7026138	7026138
3 806	ROD, metering (sec.)	AR	7045779	7045779	7045779	7015779	7045779
3 755	ROD, vac break	1	7041527	7041527	7041527	7011527	7041527
3 806	ROD ASM, metering (prim.)	AR	17051340	17051340	17051353	17051353	17051340
3 730	SCREW, air horn	AR	7014699	7014699	7014699	7014699	7014699
3 730	SCREW, air horn (long)	AR	7029912	7029912	7029912	7029912	7029912
3 730	SCREW, air horn (short)	AR	7031105	7031105	7031105	7031105	7031105
3 755	SCREW, aux vac break	1	—	—	—	—	—

CORVETTE
1979 ROCHESTER 4 BC (Continued)
 (See Model Reference for Application)

GROUP	DESCRIPTION	QTY	1	2	3	4	5
3.444	SCREW, bracket attach., aux vac break	AR		7043682			
3.767	SCREW, cam & fast idle levers						
3.750	SCREW, choke hsg. to bowl	1	7038808	7038808	7038808	7038808	7038808
3.752	SCREW, choke lever	1	7029866	7029866	7029866	7029866	7029866
3.751	SCREW, choke valve	AR	7029866	7029866	7029866	7029866	7029866
3.752	SCREW, coil lever	1	7019709	7019709	7019709	7019709	7019709
3.755	SCREW, control attach	AR	17050732	17050732	17050732	17050732	17050732
3.766	SCREW, fast idle adj	1	7044794	7044794	7044794	7044794	7044794
3.767	SCREW, fast idle lever	1	7036079	7036079	7036079	7036079	7036079
3.761	SCREW, idle stop	1	3960392	3960392	3960392	3960392	3960392
3.444	SCREW, throttle stop	1					
3.741	SCREW, throttle body	AR	7035790	7035790	7035790	7035790	7035790
3.752	SEAL, choke hsg. to bowl	1	7043367	7043367	7043367	7043367	7043367
3.752	SEAL, inter. choke shaft	AR	7037569	7037569	7037569	7037569	7037569
3.752	SHAFT ASM., choke	1	7038259	7038259	7038259	7038259	7038259
3.750	SHAFT ASM., choke w/lever	1					
3.752	SHAFT & LEVER ASM., inter choke	1	17050754	17050754	17050754	17050754	17050754
3.440	SOLENOID UNIT, w/brkt	1		17061769			
3.766	SPRING, cam follower						
3.766	SPRING, cam lever	1	17051494	17051494	17051494	17051494	17051494
3.766	SPRING, fast idle screw	1	7029900	7029900	7029900	7029900	7029900
3.740	SPRING, fuel filter	1	7043568	7043568	7043568	7043568	7043568
3.823	SPRING, idle needle	AR	17060834	17060834	17060834	17060834	17060834
3.766	SPRING, idle stop screw	1	7003176	7003176	7003176	7003176	7003176
3.810	SPRING, metering rod (prim.)	1	7041459	7041459	7041459	7041459	7041459
3.859	SPRING, pwr. piston	1	7036019	7036019	17052057	17052057	7036019
3.841	SPRING, pump return	1	7042979	7042979	7042979	7042979	7042979
3.757	SPRING, w/cam	1	7035344	7035344	7035344	7035344	7035344
3.750	STAT. COVER & COIL, elect						
3.750	STAT. COVER, COIL & GASKET	1	17051918	17051918	17051918	17051918	17051918
3.761	STOP UNIT, carb throttle	1					
3.755	VACUUM BREAK & BRACKET, (choke side) (aux)						
3.755	VACUUM BREAK & BRACKET, rear (aux)						
3.755	VACUUM BREAK CONT	1					
3.755	VACUUM BREAK CONT. ASM., (aux)						
3.755	VACUUM BREAK CONTROL & BRACKET, choke side	1	17050759	17050759	17053201	17053201	17050759
3.751	VALVE, choke	1	7048904	7048904	7048904	7048904	7048904
3.444	WASHER, tab locking	1					
3.823	WASHER, idle needle spring	1	17061209	17061209	17061209	17061209	17061209

CORVETTE
1979 ROCHESTER 4 BC
 (See Model Reference for Application)

GROUP	DESCRIPTION	QTY.	6	7	8	9	10
3.725	CARBURETOR (Production)		17059228	17059502	17059504	17059582	17059584
3.725	CARBURETOR (Service)	1	17065576	17065504	17065504	17065574	17065574
3.724	GASKET KIT	1	17065432	17065432	17065432	17065432	17065432
3.725	POWER CARB KIT	1	7039372	7039371	7039371	7039371	7039371
3.730	AIR HORN	1	17055901	17055703	17055703	17055703	17055703
3.740	BAFFLE float bowl	1	7031365	7031365	7031365	7031365	7031365
3.825	BALL, pump discharge	1	7002117	7002117	7002117	7002117	7002117
3.729	BODY ASM., throttle	1	17061366	17061364	17061364	17061364	17061364
3.734	BOWL ASM., float	1	17065436	17065430	17065430	17065430	17065430
3.459	BRACKET, throttle return spring	1	—	—	—	—	—
3.444	BRACKET & WASHER	1	—	—	—	—	—
3.766	CAM, fast idle	1	17061541	17061541	17061541	17061541	17061541
3.750	CHOKE HOUSING KIT	1	17055545	17065162	17065162	17065162	17065162
3.814	CLIP, float needle (pull)	1	7033751	7033751	7033751	7033751	7033751
3.820	COVER, idle compensator	1	—	—	—	—	—
3.740	FILTER, fuel inlet	1	5651803	5651803	5651803	5651803	5651803
3.740	FILTER NUT, fuel inlet	1	17051254	17051254	17051254	17051254	17051254
3.745	FLOAT ASM.	1	7043379	7043379	7043379	7043379	7043379
3.738	GASKET, air horn	1	17056357	17056357	17056357	17056357	17056357
3.740	GASKET, filter nut	1	7024281	7024281	7024281	7024281	7024281
3.820	GASKET, idle compensator	1	—	—	—	—	—
3.750	GASKET, stat cover	1	17050961	17050961	17050961	17050961	17050961
3.806	HOLDER KIT, secondary metering rod	1	7034522	7034522	7034522	7034522	7034522
3.820	IDLE COMPENSATOR	1	—	—	—	—	—
3.822	IDLE NEEDLE	AR	17060612	17060612	17060612	17060612	17060612
3.806	INSERT, aneroid cavity	1	17051796	17051796	17051796	17051796	17051796
3.734	INSERT, float bowl	1	7041471	7041471	7041471	7041471	7041471
3.792	JET, primary	AR	7031977	7031972	7031972	7031971	7031971
3.766	LEVER, cam follower	1	7041497	7041497	7041497	7041497	7041497
3.766	LEVER, choke	1	7041542	7041542	7041542	7041542	7041542
3.752	LEVER, coil	1	7041499	7041499	7041499	7041499	7041499
3.766	LEVER, fast idle	1	7041498	7041498	7041498	7041498	7041498
3.752	LEVER, inter choke	1	7031231	7031231	7031231	7031231	7031231
3.842	LEVER, pump actuating	1	7048169	7048169	7048169	7048169	7048169
3.752	LEVER, lockout (sec.)	1	7041473	7041473	7041473	7041473	7041473
3.752	LEVER, stat. cover	1	—	—	—	—	—
3.755	LINK, aux vac break	1	—	—	—	—	—
3.755	LINK, aux vacuum break choke side	1	—	—	—	—	—
3.814	NEEDLE & SEAT	1	7035134	7035134	7035134	7035134	7035134
3.747	PIN, float hinge	1	7041469	7041469	7041469	7041469	7041469
3.858	POWER PISTON	1	17051792	17051792	17051792	17051792	17051792
3.838	PUMP ASM.	1	17051374	17051117	17051117	17051117	17051117
3.852	RETAINER, pump discharge ball	1	7029849	7029849	7029849	7029849	7029849
3.750	RETAINER, stat. cover	AR	7000614	7000614	7000614	7000614	7000614
3.752	ROD, choke	1	7041472	7041472	7041472	7041472	7041472
3.752	ROD, inter choke	1	—	—	—	—	—
3.858	ROD, power piston	1	—	—	—	—	—
3.843	ROD, pump	1	7026138	7026138	7026138	7026138	7026138
3.806	ROD, metering (sec.)	AR	7045779	7045779	7045779	7045779	7045779
3.755	ROD, vac break	1	7041527	7041527	7041527	7041527	7041527
3.806	ROD ASM., metering (prim.)	AR	17051353	17051340	17051340	17051341	17051341
3.730	SCREW, air horn	AR	7014699	7014699	7014699	7014699	7014699
3.730	SCREW, air horn (long)	AR	7029912	7029912	7029912	7029912	7029912
3.730	SCREW, air horn (short)	AR	7031105	7031105	7031105	7031105	7031105
3.755	SCREW, aux vac break	1	—	—	—	—	—

FUEL — EXHAUST — CARBURETION

V51

CORVETTE
1979 ROCHESTER 4 BC (Continued)
(See Model Reference for Application)

GROUP	DESCRIPTION	QTY	6	7	8	9	10
3.444	SCREW, bracket attach., aux vac break . . .	AR	7043682	—	7043682	—	7043682
3.767	SCREW, cam & fast idle levers		—	—	—	—	—
3.750	SCREW, choke hsg. to bowl	1	7038808	7038808	7038808	7038808	7038808
3.752	SCREW, choke lever	1	7029866	7029866	7029866	7029866	7029866
3.751	SCREW, choke valve	AR	7029866	7029866	7029866	7029866	7029866
3.752	SCREW, coil lever	1	7019709	7019709	7019709	7019709	7019709
3.755	SCREW, control attach.	AR	17050732	17050732	17050732	17050732	17050732
3.766	SCREW, fast idle adj.	1	7044794	7044794	7044794	7044794	7044794
3.767	SCREW, fast idle lever	1	7036079	7036079	7036079	7036079	7036079
3.761	SCREW, idle stop	1	3960392	3960392	3960392	3960392	3960392
3.444	SCREW, throttle stop	1	—	—	—	—	—
3.741	SCREW, throttle body	AR	7035790	7035790	7035790	7035790	7035790
3.752	SEAL, choke hsg. to bowl	1	7043367	7043367	7043367	7043367	7043367
3.752	SEAL, inter. choke shaft	AR	7037569	7037569	7037569	7037569	7037569
3.752	SHAFT ASM., choke	1	7038259	7038259	7038259	7038259	7038259
3.750	SHAFT ASM., choke w/lever	1	—	—	—	—	—
3.752	SHAFT & LEVER ASM., inter choke	1	17050754	17050754	17050754	17050754	17050754
3.440	SOLENOID UNIT, w/brkt.	1	17061769	—	17061769	17061769	17061769
3.766	SPRING, cam follower		—	—	—	—	—
3.766	SPRING, cam lever	1	17051494	17051494	17051494	17051494	17051494
3.766	SPRING, fast idle screw	1	7029900	7029900	7029900	7029900	7029900
3.740	SPRING, fuel filter	1	7043568	7043568	7043568	7043568	7043568
3.823	SPRING, idle needle	AR	17060834	17060834	17060834	17060834	17060834
3.766	SPRING, idle stop screw	1	7003176	7003176	7003176	7003176	7003176
3.810	SPRING, metering rod (prim.)	1	7041459	7041459	7041459	7041459	7041459
3.859	SPRING, pwr. piston	1	17052057	7037305	7037305	7036019	7036019
3.841	SPRING, pump return	1	7042979	7042979	7042979	7042979	7042979
3.757	SPRING, w/cam	1	7035344	7035344	7035344	7035344	7035344
3.750	STAT. COVER & COIL, elect.		—	—	—	—	—
3.750	STAT. COVER, COIL & GASKET	1	17051918	17051918	17051918	7036948	7036948
3.761	STOP UNIT, carb throttle	1	—	—	—	—	—
3.755	VACUUM BREAK & BRACKET, choke side) (aux)		—	—	—	—	—
3.755	VACUUM BREAK & BRACKET, rear (aux)		—	—	—	—	—
3.755	VACUUM BREAK CONT.	1	—	—	—	—	—
3.755	VACUUM BREAK CONT. ASM., (aux)		—	—	—	—	—
3.755	VACUUM BREAK CONTROL & BRACKET, choke side	1	17053201	17050759	17050759	17050759	17050759
3.751	VALVE, choke	1	7048904	7048904	7048904	7048904	7048904
3.444	WASHER, tab locking	1	—	—	—	—	—
3.823	WASHER, idle needle spring	1	17061209	17061209	17061209	17061209	17061209

FUEL — EXHAUST — CARBURETION

V52

CORVETTE
1979 ROCHESTER 4 BC
(See Model Reference for Application)

GROUP	DESCRIPTION	QTY.	11
3.725	CARBURETOR (Production)		17059507
3.725	CARBURETOR (Service)	1	17066307
3.724	GASKET KIT	1	17065432
3.725	POWER CARB KIT	1	7039371
3.730	AIR HORN	1	17055703
3.740	BAFFLE, float bowl	1	7031365
3.825	BALL, pump discharge	1	7002117
3.729	BODY ASM., throttle	1	17062966
3.734	BOWL ASM., float	1	17065430
3.459	BRACKET, throttle return spring	1	—
3.444	BRACKET & WASHER	1	—
3.766	CAM, fast idle	1	17061541
3.750	CHOKE HOUSING KIT	1	17065162
3.814	CLIP, float needle (pull)	1	7033751
3.820	COVER, idle compensator	1	—
3.740	FILTER, fuel inlet	1	5651803
3.740	FILTER NUT, fuel inlet	1	17051254
3.745	FLOAT ASM.	1	7043379
3.738	GASKET, air horn	1	17056357
3.740	GASKET, filter nut	1	7024281
3.820	GASKET, idle compensator	1	—
3.750	GASKET, stat cover	1	17050961
3.806	HOLDER KIT, secondary metering rod	1	7034522
3.820	IDLE COMPENSATOR	1	—
3.822	IDLE NEEDLE	AR	17062905
3.806	INSERT, aneroid cavity	1	17051796
3.734	INSERT, float bowl	1	7041471
3.792	JET, primary	AR	7031972
3.766	LEVER, cam follower	1	7041497
3.766	LEVER, choke	1	7041542
3.752	LEVER, coil	1	7041499
3.766	LEVER, fast idle	1	7041498
3.752	LEVER, inter choke	1	7031231
3.842	LEVER, pump actuating	1	7048163
3.752	LEVER, lockout (sec.)	1	7041473
3.752	LEVER, stat. cover	1	—
3.755	LINK, aux vac break	1	—
3.755	LINK, aux vacuum break choke side	1	—
3.814	NEEDLE & SEAT	1	7035134
3.747	NUT, float hinge	1	7041469
3.858	POWER PISTON	1	17051792
3.838	PUMP ASM.	1	17051117
3.852	RETAINER, pump discharge ball	1	7029849
3.750	RETAINER, stat. cover	AR	7000614
3.752	ROD, choke	1	17058457
3.752	ROD, inter choke	1	—
3.752	ROD, power piston	1	—
3.843	ROD, pump	1	7026138
3.806	ROD, metering (sec.)	AR	7045779
3.755	ROD, vac break	1	7041527
3.806	ROD ASM., metering (prim.)	AR	17051340
3.730	SCREW, air horn	AR	7014699
3.730	SCREW, air horn (long)	AR	7029912
3.730	SCREW, air horn (short)	AR	7031105
3.755	SCREW, aux vac break	1	—

CORVETTE
1979 ROCHESTER 4 BC (Continued)
(See Model Reference for Application)

GROUP	DESCRIPTION	QTY.	11
3.444	SCREW, bracket attach., aux vac break	AR	7043682
3.767	SCREW, cam & fast idle levers		—
3.750	SCREW, choke hsg. to bowl	1	7038808
3.752	SCREW, choke lever	1	7029866
3.751	SCREW, choke valve	AR	7029866
3.752	SCREW, coil lever	1	7019709
3.755	SCREW, control attach	AR	17050732
3.766	SCREW, fast idle adj.	1	7044794
3.766	SCREW, fast idle lever	1	7036079
3.766	SCREW, idle stop	1	3960392
3.444	SCREW, throt. stop	1	—
3.741	SCREW, throttle body	AR	7035790
3.752	SEAL, choke hsg. to bowl	1	7043367
3.752	SEAL, inter. choke shaft	AR	7037569
3.752	SHAFT ASM., choke	1	7038259
3.750	SHAFT ASM., choke w/lever	1	—
3.752	SHAFT & LEVER ASM., inter choke	1	17063458
3.440	SOLENOID UNIT, w/brkt.	1	17061769
3.766	SPRING, cam follower		—
3.766	SPRING, cam lever	1	17051494
3.766	SPRING, fast idle screw	1	7029900
3.740	SPRING, fuel filter	1	7043568
3.823	SPRING, idle needle	AR	—
3.766	SPRING, idle stop screw	1	7003176
3.810	SPRING, metering rod (prim.)	1	7041459
3.859	SPRING, pwr. piston	1	7037305
3.841	SPRING, pump return	1	7042979
3.757	SPRING, w/cam	1	7035344
3.750	STAT. COVER & COIL, elect.		—
3.750	STAT. COVER, COIL & GASKET	1	17051918
3.761	STOP UNIT, carb throttle	1	—
3.755	VACUUM BREAK & BRACKET, (choke side) (aux)		—
3.755	VACUUM BREAK & BRACKET, rear (aux)		—
3.755	VACUUM BREAK CONT.	1	—
3.755	VACUUM BREAK CONT. ASM., (aux)		—
3.755	VACUUM BREAK CONTROL & BRACKET, choke side	1	17050759
3.751	VALVE, choke	1	7048904
3.444	WASHER, tab locking		—
3.823	WASHER, idle needle spring	1	—

CORVETTE

MODEL REFERENCE

1980 ROCHESTER 4BC

V54

Follow procedure outlined below to determine carburetor and/or part number.

1. Determine vehicle model, check VIN DIVISION CODE.
2. Determine engine and carburetor type.
3. Part number can be determined by cross referencing corresponding column number with same column number on charts.

PRODUCTION	VIN DIV. CODE	USAGE	COL. NO.
17080204	1	Y (350) w/A.T. (MV4) (Exc. SP. H/PER)	1
17080207	1	Y (350) w/M.T. (Exc. SP. H/PER)	2
17080228	1	Y (350) w/SP. H/PER, A.T. (MV4)	3
17080511	1	Y (305H)	4
17080517	1	Y (305H)	5

1980 ADDITIONAL ATTACHING PARTS

DIV.	GROUP	MODEL USAGE	NOUN NAME & DESCRIPTION	QTY.	PART NO.	
	6	3.440 E, K (368-9)	Actuator, idle speed cont.	1	22020975	
2	4	3.726 A!! (30T, 4.9T)	Adapter, carb. to int. manif.	1	10000787	
1		3.726 F (4.9T)	Adapter, carb. to int. mflid.	1	10000787	
2		3.726 All (4.3S)	Adapter, carb. to int. manif.	1	10014581	
123		3.726 H (151V)	Adapter, carb. to int. manif.	1	10014244	
1234		3.726 X (151)	Adapter, carb. to int. manif.	1	10014244	
4		3.726 A (4.3S)	Adapter, carb. to int. mflid.	1	10014581	
123		3.750 H (151V)	Baffle, choke hsg. shield	1	10003942	
1234		3.726 H, X (151)	Bolt, Adapter to int. manif. (3708)	1	1257144	
1234		3.767 All (151) w/Cross Flow	Bolt, idler lvr. to int. manif.	1	10007510	
123		3.763 H (151V)	Bracket, ret. spg. & cutoff sw	1	10004199	
1234		3.763 X (151)	Bracket, ret. spring. & cutoff sw	1	10004199	
	6	3.440 E, K (368-9)	Bracket, actuator mtg. idle speed cont.	1	22020976	
123		3.755 H (151) w/Closed Loop, A.T.	Calibrator, carb. controller	1	1224335	
123		3.755 H (151) w/Closed Loop M.T.	Calibrator, carb. controller	1	1224336	
1234		3.734 All	Cap, emission vac. ftg.	1	343350	
2	4	3.726 All (30T, 4.9T)	Gasket, carb. adapter to int. manif.	1	10001650	
1		3.726 F (4.9T)	Gasket, carb. adapter to int. mflid.	1	10001650	
1234		3.726 H (151V)	Gasket, carb. adapter to int. manif.	1	10004836	
123		3.726 X (151)	Gasket, carb. adapter to int. manif.	1	10004836	
3		3.726 B-C-E (307)	Gasket, carb. flange	1	419047	
34		3.726 All (350R)	Gasket, carb. flange	1	419047	
3		3.726 All (260)	Gasket, carb. flange	1	559342	
1	4	3.726 All (231-3)	Gasket, carb. plenum	1	1245915	
1		3.726 A (231-3)	Gasket, EGR chamber to plenum & to manif.	2	25504639	
4		3.726 A-B (231-3)	Gasket, EGR chamber to plenum & to manif.	1	25504639	
2	4	3.726 All (30T)	Gasket, carb. to adapter	1	10001651	
	6	3.726 C-D-Z (368-6)	Gasket, carb. to manif.	1	1494992	
	6	3.726 E, K (368-9)	Gasket, TB1 to int. manif.	1	1617352	
1234		3.726 All (231A)	Gasket, carb. to manif.	1	25502203	
12		3.726 F (4.9T)	Gasket, carb. to plenum	1	10013356	
2		3.726 A, B, F, G (4.3S)	Gasket, carb. adapter to int. mflid.	1	10001774	
4		3.726 A (4.3S)	Gasket, carb. adapter to int. mflid.	1	10001774	
2		3.726 A, B, F, G (4.3S)	Gasket, flange	1	10013919	
3		3.726 B (4.3S)	Gasket, carb. to adapter	1	10013919	
4		3.726 A (4.3S)	Gasket, carb. to adapter	1	10013919	
1		3.726 T	Heater, int. manif.	1	14032309	
CT		3.726 P 1	Insulator, carb. HT	1	333977	
CT		3.726 P 2, 3 (42) (292)	Insulator, carb. HT	1	333977	
CT		3.726 CK 2, 3 (292)	Insulator, carb. HT	1	333977	
CT		3.726 All (V8)	Insulator, carb. HT	1	354310	
1		3.726 Y	Insulator, carb. HT	1	354310	
1	5	3.726 A, B, F, G, H (305H, 350L)	Insulator, carb. HT	1	354310	
34		3.726 A, B, C, E, H (305H, 350L)	Insulator, carb. HT	1	354310	
CT		3.726 CKG 1, 2, 3 (350, 400) w/4BC	Insulator, carb. HT	1	476325	
CT		3.726 CK 1, 2 (250)	Insulator, carb. HT	1	14033884	
CT		3.726 G 1, 2 (229)	Insulator, carb. HT	1	14033884	
CT		3.726 CG 1, (305)	Insulator, carb. HT	1	14037622	
1	5	3.726 A, B, F (200, 229, 267)	Insulator, carb. HT	1	14037622	
2		3.726 A (231-3)	Insulator, carb. HT	1	14037622	
2		3.726 A, B, F, G (305H)	Insulator, carb. HT	1	14026102	
1234		3.726 H, X (151)	Insulator, carb. to adapter	1	10017667	
1234		3.726 X (2.8)	Insulator, carb. HT	1	477297	
2	4	3.726 B, C (350X)	Insulator, carb.	1	25516626	
4	6	3.726 All (4.1-4)	Insulator, carb.	1	25516626	
1234		3.843 H, X (151)	Link, carb. lvr. to idler lvr.	1	10005882	
CT		3.750 CKGP 1, 2, 3 (305)	Pipe, choke air	1	14006703	
3		3.750 All (307, 350R)	Pipe, choke clean air	1	419302	
2	4	3.750 All (350R)	Pipe, choke clean air	1	419302	
CT		3.818 CP 1, 2, 3 (454)	Pipe, choke air outl.	1	354439	
1	3	5	3.750 A (231A) w/gages	Relay, choke htr. cont.	1	470374
1		3.750 F (4.9T)	Relay, choke htr. cont.	1	470374	

1980
ADDITIONAL ATTACHING PARTS
 (Continued)

DIV.	GROUP	MODEL USAGE	NOUN NAME & DESCRIPTION	QTY.	PART NO.
123	3.750	X w/gages	Relay, choke htr. cont.	1	14039662
23	3.750	A, B, F, G w/gages	Relay, choke htr. cont.	1	14039662
1	3.750	Y	Relay, choke htr. cont.	1	14039662
12	3.750	F (4.9T)	Shield, elec. choke	1	10018193
	6	3.820	E, K (350B) w/Calif.	1	1613608
1234	3.767	H, X (151)	Spacer, idler lvr. to int. manif.	1	10005862
1234	3.726	X (2.8)	Stud, carb. (3.145)	4	477253
1234	3.726	All (151)	Stud, carb. (M8x1.25x98)	2	10009159
3	3.755	All (260F, 307, 350R) w/Fed.	Switch, therm. vac.	1	22505978
4	3.755	All (350R) w/Fed.	Switch, therm. vac.	1	22505978
34	3.755	B, C, E (350R) w/Calif.	Switch, choke therm. vac.	1	22505266
2	3.755	B (350R)	Switch, choke therm. vac.	1	22505266
	6	3.755	C, D, Z (368-8) w/Calif.	1	3035610
3	3.755	A (260F) w/closed Loop (NBI)	Switch, thermo. vac. (choke)	1	22505266
1 4	3.755	A, B, E (231-3) w/Fed.	Switch, therm. vac.	1	3047867
123	3.755	H (151V)	Valve, carb. vac. brk.	1	10012354
123	3.755	X (151-5) w/A.T., Fed., M.T.	Valve, carb. vac. brk.	1	10012354
2	3.755	A, B, F, G (4.3S, 4.9T, 301W)	Valve, vac. break	1	10012226
4	3.755	B (301W)	Valve, vac. break	1	10012226
4	3.755	A (301W, 4.3S)	Valve, vac. break	1	10012226
12	3.755	F (4.9T)	Valve, vac. break	1	10012226
2	3.726	F (4.9T)	Washer, carb. to plenum (3.425)	1	3718496

FUEL — EXHAUST — CARBURETICN

V57

CORVETTE
1980 ROCHESTER 4BC
(See Model Reference for Application)

GROUP	DESCRIPTION	QTY	1	2	3	4	5
3.725	CARBURETOR (Production)		17080204	17080207	17080228	17080504	17080517
3.725	CARBURETOR (Service)	1	17066422	17066425	17066432	17066436	17067003
3.724	GASKET KIT	1	17065432	17065432	17066722	17066726	17066726
3.725	POWER CARB KIT	1	7039398	7039398	7039411	7039412	7039412
3.730	AIR HORN	1	17066622	17066622	17066720	17066979	17066979
3.740	BAFFLE, float bowl	1	7031365	7031365	7031365	7031365	7031365
3.838	BAFFLE, pump well	1	—	—	—	—	—
3.825	BALL, pump discharge	1	7002117	7002117	7002117	7002117	7002117
3.729	BODY ASM., throttle	1	17063955	17064271	17063164	17064868	17064868
3.734	BOWL ASM., float	1	17066623	17066623	17066721	17066725	17066725
3.459	BRACKET, throttle return spring	1	—	—	—	—	—
3.444	BRACKET & WASHER	1	—	—	—	—	—
3.766	CAM, fast idle	1	17056631	17056631	17056631	17056631	17056631
3.750	CHOKE HOUSING KIT	1	17066624	17066624	17066624	17066724	17066724
3.814	CLIP, float needle (pull)	1	7033751	7033751	7033751	7033751	7033751
3.820	COVER, idle compensator	1	—	—	—	—	—
3.740	FILTER, fuel inlet	1	5651803	5651803	5651803	5651803	5651803
3.745	FLOAT ASM.	1	7043379	7043379	7043379	17057078	17057078
3.738	GASKET, air horn	1	17056357	17056357	17056357	17058157	17058157
3.403	GASKET, connector to air horn	1	—	—	—	—	—
3.740	GASKET, filter nut	1	7024281	7024281	7024281	7024281	7024281
3.820	GASKET, idle compensator	1	—	—	—	—	—
3.750	GASKET, stat cover	1	—	—	—	—	—
3.806	HOLDER KIT, secondary metering rod	1	7034522	7034522	7034522	7034522	7034522
3.820	IDLE COMPENSATOR	1	—	—	—	—	—
3.822	IDLE NEEDLE	AR	17062905	17062905	17062905	17062905	17062905
3.806	INSERT, aneroid cavity	1	—	—	—	17063596	17063596
3.734	INSERT, float bowl	1	7041471	7041471	7041471	17062672	17062672
3.792	JET, primary	AR	7031971	7031971	7031972	17063471	17063471
3.766	LEVER, cam follower	1	7041497	7041497	7041497	7041497	7041497
3.766	LEVER, choke	1	7041542	7041542	7041542	7041542	7041542
3.752	LEVER, coil	1	—	—	—	—	—
3.766	LEVER, fast idle	1	7041498	7041498	7041498	7041493	7041498
3.752	LEVER, inter choke	1	7031231	7031231	7031231	7031231	7031231
3.842	LEVER, pump actuating	1	7048169	7048169	7048169	17064253	17064253
3.752	LEVER, lockout (sec.)	1	7041473	7041473	7041473	7041473	7041473
3.752	LEVER, stat. cover	1	—	—	—	—	—
3.752	LEVER & CONTACT, coil	1	17060474	17060474	—	—	—
3.755	LINK, aux vac break	1	—	—	—	17063432	17063432
3.755	LINK, aux vacuum break choke side	1	—	—	—	—	—
3.814	NEEDLE & SEAT	1	7035150	7035150	7035150	7035134	7035134
3.740	NUT, fuel inlet filter	1	17051254	17051254	17051254	17051254	17051254
3.747	PIN, float hinge	1	7041469	7041469	7041469	17057077	17057077
3.764	PLUNGER, TPS actuator	1	—	—	—	—	—
3.858	POWER PISTON	1	17051792	17051792	17051792	—	—
3.838	PUMP ASM.	1	17051117	17051117	17051374	17051374	17051374
3.852	RETAINER, pump discharge ball	1	7029849	7029849	7029849	7029849	7029849
3.750	RETAINER, stat. cover	AR	7000614	7000614	7000614	7000614	7000614
3.750	RETAINER KIT, stat. cvr.	1	17066027	17066027	17066027	17066027	17066027
3.750	RETAINER, choke cover	1	—	—	—	—	—
3.752	ROD, choke	1	17058457	17058457	17058457	17058457	17058457
3.752	ROD, inter choke	1	—	—	—	—	—
3.858	ROD, power piston	1	—	—	—	—	—
3.843	ROD, pump	1	7026138	7026138	7026138	17064657	17064657
3.806	ROD, metering (sec.)	AR	7045779	7045779	7045779	7045779	7045779
3.755	ROD, vac break	1	7041527	7041527	7041527	7041527	7041527
3.806	ROD ASM., metering (prim.)	AR	17057742	17057742	17051341	17063350	17063351

FUEL — EXHAUST — CARBURETION

V58

CORVETTE
1980 ROCHESTER 4BC (Continued)
(See Model Reference for Application)

GROUP	DESCRIPTION	QTY	1	2	3	4	5
3.730	SCREW, air horn	AR	17063591	17063591	17063591	17063591	17063591
3.730	SCREW, air horn (long)	AR	17063592	17063592	17063592	17063592	17063592
3.730	SCREW, air horn (short)	AR	7031105	7031105	7031105	7031105	7031105
3.755	SCREW, aux vac break	AR	—	—	—	—	—
3.444	SCREW, bracket attach., aux vac break	AR	7043682	—	7043682	7043682	7043682
3.767	SCREW, cam & fast idle levers	—	—	—	—	—	—
3.750	SCREW, choke hsg. to bowl	1	7038808	7038808	7038808	7038808	7038808
3.752	SCREW, choke lever	1	7029866	7029866	7029866	7029866	7029866
3.751	SCREW, choke valve	AR	7029866	7029866	7029866	7029866	7029866
3.752	SCREW, coil lever	1	7019709	7019709	7019709	7019709	7019709
3.755	SCREW, control attach	AR	17050732	17050732	17050732	17050732	17050732
3.766	SCREW, fast idle adj	1	7044794	7044794	7044794	7044794	7044794
3.767	SCREW, fast idle lever	1	7036079	7036079	7036079	7036079	7036079
3.761	SCREW, idle stop	1	3960392	3960392	3960392	3960392	3960392
3.440	SCREW, solenoid adjusting	1	—	—	—	—	17063738
3.440	SCREW, solenoid stop	1	—	—	—	—	—
3.444	SCREW, throttle stop	1	—	—	—	—	—
3.741	SCREW, throttle body	AR	—	—	—	—	17063590
3.752	SEAL, choke hsg. to bowl	1	—	—	—	—	—
3.752	SEAL, inter. choke shaft	AR	7037569	7037569	7037569	17058488	17058488
3.764	SENSOR, throttle position	1	—	—	—	17063708	17063708
3.752	SHAFT ASM., choke	1	7038259	7038259	7038259	7038259	7038259
3.750	SHAFT ASM., choke w/lever	1	—	—	—	—	—
3.752	SHAFT & LEVER ASM., inter choke	1	17063458	17063458	17063458	17063629	17063629
3.440	SOLENOID UNIT, w/brkt.	1	17061769	—	17061769	17061769	17061769
3.440	SOLENOID, mixture control	1	—	—	—	17063279	17063279
3.766	SPRING, cam follower	—	—	—	—	—	—
3.766	SPRING, cam lever	1	17051494	17051494	17051494	17051494	17051494
3.766	SPRING, fast idle screw	1	7029900	7029900	7029900	7029900	7029900
3.740	SPRING, fuel filter	1	7043568	7043568	7043568	7043568	7043568
3.823	SPRING, idle needle	AR	—	—	—	—	—
3.766	SPRING, idle stop screw	1	7003176	7003176	7003176	7003176	7003176
3.810	SPRING, metering rod (prim.)	1	7041459	7041459	7041459	17057068	17057068
3.859	SPRING, pwr. piston	1	7036019	7036019	7037305	—	—
3.841	SPRING, pump return	1	7042979	7042979	7042979	7042979	7042979
3.858	SPRING, solenoid return	1	—	—	—	17057074	17057074
3.858	SPRING, solenoid screw	1	—	—	—	17062262	17062262
3.764	SPRING, sensor adjustment	1	—	—	—	—	—
3.757	SPRING, w/cam	1	7035344	7035344	7035344	7035344	7035344
3.750	STAT. COVER & COIL, elect	1	17064473	17064215	17063960	17064029	17070300
3.750	STAT. COVER, COIL & GASKET	1	—	—	—	—	—
3.761	STOP UNIT, carb throttle	1	—	—	—	—	—
3.459	THROTTLE KICKER	1	—	—	—	—	—
3.755	VACUUM BREAK & BRACKET, (choke side) (aux)	—	—	—	—	17064797	17064797
3.755	VACUUM BREAK & BRACKET, rear (aux)	—	—	—	—	—	—
3.755	VACUUM BREAK CONT	1	—	—	—	—	—
3.755	VACUUM BREAK CONT. ASM., (aux)	—	—	—	—	—	—
3.755	VACUUM BREAK CONTROL & BRACKET, choke side	1	17063485	17063485	17064477	17050759	17050759
3.751	VALVE, choke	1	7048904	7048904	7048904	7048904	7048904
3.820	VALVE, idle air bleed	1	—	—	—	—	—
3.444	WASHER, tab locking	1	—	—	—	—	—
3.823	WASHER, idle needle spring	1	—	—	—	—	—

CORVETTE

MODEL REFERENCE

1981 ROCHESTER 4BC

Follow procedure outlined below to determine carburetor and/or part number.

1. Determine vehicle model, check VIN DIVISIONAL CODE.
2. Determine engine and carburetor type.
3. Part number can be determined by cross referencing corresponding column number with same column number on charts.

PRODUCTION	VIN DIV. CODE	USAGE	COL. NO.
17081217	1	Y w/M.T. (M18)	1
17081218	1	Y w/A.T. (MX3) w/Calif.	2
17081228	1	Y w/A.T. (MX3), Fed.	3

1981 4 BC SERVICE PACKAGE

COMPONENTS

PARTS LISTED IN THE COMPONENT PACKAGES ON THESE PAGES MAY NOT BE INCLUDED IN ALL KITS.
(SOME CARBURETORS DO NOT REQUIRE ALL PARTS LISTED)

REPLACEMENT CARBURETOR PKG

CARBURETOR ASM
GASKET-AIR CLEANER
GASKET/INSULATOR-FLANGE
GASKET/INSUL-ELECTRIC EFE-FLANGE

POWER KIT PKG

GASKET SET PKG
GAGE-FLOAT
NEEDLE & SEAT ASM
BALL-PUMP DISCHARGE
SPRING-PUMP RETURN
IDLE NEEDLE ASM
PUMP PLUNGER ASM

GASKET SET PKG

RETAINER-PUMP STEM SEAL
SEAL-PUMP STEM
SEAL-THROTTLE SENSOR PLUNGER
RETAINER-THR SENSOR PLUNGER SEAL
GASKET-FLOAT VALVE SEAT
GASKET-FUEL INLET NUT
SEAL-INTERMEDIATE CHOKE SHAFT
SEAL-CHOKE HOUSING TO FLT BOWL
GASKET-AIR HORN TO FLOAT BOWL
GASKET-SOLENOID CONN TO AIR HORN
GASKET-THR BODY TO FLOAT BOWL
O RING-AIR BLEED VALVE
GASKET-CHOKE COVER
PLUG-TPS ADJUSTING SCREW
PLUG-SOLENOID ADJUSTING SCREW
PLUG-SOLENOID STOP SCREW
CHOKE COVER RETAINER KIT
GASKET-AIR CLEANER
GASKET/INSULATOR-FLANGE

AIR HORN GASKET PKG

GASKET-AIR HORN TO FLOAT BOWL
GASKET-SOLENOID CONN TO AIR HORN
PLUG-TPS ACTUATING SCREW
PLUG-SOLENOID ADJUSTING SCREW
PLUG-SOLENOID STOP SCREW

AIR HORN ASM PKG

AIR HORN ASM (SERVICE)
AIR BLEED VALVE ASM
PUMP LEVER
PUMP LEVER & BUSHING ASM
PIN-PUMP LEVER HINGE
SCREW-AIR HORN TO FLOAT BOWL
SCREW-AIR HORN TO THROT BODY
BAFFLE-AIR HORN
LINK-PUMP

FLOAT BOWL ASM PKG

FLOAT BOWL ASM (SERVICE)
GASKET-FUEL INLET NUT
SPRING-FUEL FILTER
NUT-FUEL INLET
FILTER-FUEL INLET
BAFFLE
IDLE TUBE ASM
MAIN METERING JET ASM
JET-PRIMARY METERING
SCREW-THROTTLE STOP
SPRING-THROTTLE STOP SCREW
BALL-PUMP DISCHARGE
BAFFLE-PUMP WELL
INSERT-ANEROID CAVITY
SEAL-INTERMEDIATE CHOKE SHAFT
BUSHING-INTERMED CHOKE SHAFT

THROTTLE BODY ASM PKG

THROTTLE BODY ASM (SERVICE)
SCREW ASM-THR BODY TO FLT BOWL

CHOKE HOUSING ASM PKG

LEVER-SECOND THROTTLE LOCKOUT
LINK-CHOKE
LEVER-INTERMEDIATE CHOKE
SEAL-INTERMED CHOKE SHAFT
CHOKE HOUSING ASM (INCLUDES FAST
IDLE CAM)
SCREW ASM-CHOKE HSNG ATTACHING
SEAL-CHOKE HSNG TO FLT BOWL
LINK-VAC BREAK AUXILIARY
LINK & PIN ASM
LEVER-CHOKE
SCREW-CHOKE LEVER ATTACHING
GASKET-CHOKE COVER
CHOKE COVER RETAINER KIT

CHOKE COVER RETAINER KIT

RIVET-POP
RETAINER-CHOKE COVER

COVER & COIL PKG-ELECT CHOKE

ELEC CHOKE STAT COVER
CHOKE COVER RETAINER KIT

COVER & COIL PKG-HOT AIR CHOKE

CHOKE COVER & COIL ASM PKG
GASKET-CHOKE COVER
CHOKE COVER RETAINER KIT

1981 4 BC SERVICE PACKAGE

COMPONENTS

(Continued)

PRIM VACUUM BREAK ASM PKG

VAC BRK CTL & BRKT ASM
 SCREW-VACUUM BREAK ATTACHING
 CAP-VAC BRK ADJUSTING
 HOSE-VACUUM BREAK
 LINK-PRIM VAC BREAK

SEC VACUUM BREAK ASM PKG

LINK-SEC VAC BREAK
 VAC BRK CONTROL & BRKT ASM
 HOSE-VACUUM BREAK
 TEE-VACCUM HOSE
 SCREW-VAC BRK CTL ATTACHING

MIXTURE CONTROL SOLENOID PKG

INSERT-FLOAT BOWL
 INSERT-ANEROID CAVITY
 MIXT CONTROL SOLENOID
 SCREW-SOLENOID ADJUSTING
 SPRING-SOLENOID RETURN
 SPRING-SOLENOID ADJUSTING
 SCREW-SOLEN CONN ATTACHING

POWER PISTON PKG

SPRING-PRIM METER ROD
 POWER VALVE PISTON ASM
 SPRING-POWER PISTON
 SPRING-POWER PISTON SECOND
 AUX POWER VALVE PISTON ASM
 AUX POWER PISTON SPRING

METERING JET & ROD PKG

SCREW-SEC MET ROD HOLDER
 HOLDER-SEC METER ROD
 SPRING-PRIM METER ROD
 PRIMARY METERING JET
 PRIMARY METERING JET ASM
 ROD-PRIMARY METERING
 ROD-SECONDARY METERING

THROTTLE POSITION SENSOR PKG

SCREW-SENSOR ADJUST
 SENSOR-THROTTLE POSITION
 SPRING-SENSOR ADJ
 PLUG-SENSOR ADJUSTING SCREW
 PLUNGER-SENSOR ACTUATOR

IDLE SOLENOID PKG

WASHER-TAB LOCKING
 SOLENOID-IDLE STOP
 NUT-SOLENOID ATTACHING
 SCREW-SOLEN & BRKT ASM ATTACHING
 BRACKET-SPRING ANCHOR

IDLE SPEED CONTROL ASM PKG

IDLE SPD CTL & BRKT ASM
 SCREW-IDLE SPD CTL BRKT ATTACHING

FUEL FILTER PKG

GASKET-FUEL INLET NUT
 FUEL FILTER

FLOAT & INSERT PKG

FLOAT & LEVER ASM
 HINGE PIN-FLOAT
 INSERT-FLOAT BOWL
 INSERT-ANEROID CAVITY

NEEDLE & SEAT ASM

VALVE-FLOAT
 GASKET-FLOAT VALVE SEAT
 SEAT-FLOAT VALVE
 CLIP-FLOAT VALVE PULL

IDLE COMPENSATOR ASM PKG

IDLE COMPENSATOR ASM
 COVER ASM-IDLE COMPENSATOR
 GASKET-IDLE COMPENSATOR
 SCREW-IDLE COMP COVER ATTACHING

PUMP ASM PKG

PLUNGER ASM
 SPRING-DURATION
 RETAINER-DURATION SPRING

AIR BLEED VALVE PKG

AIR BLEED VALVE ASM
 RIVET-COVER ATTACHING
 COVER-AIR BLEED VALVE

IDLE LOAD COMPENSATOR PKG

IDLE LOAD COMPENSATOR ASM
 CAP-TUBE
 SCREW-BRACKET ATTACHING

1981 ADDITIONAL ATTACHING PARTS

DIV.	GROUP	MODEL USAGE	NOUN NAME & DESCRIPTION	QTY.	PART NO.
1234	3.726	X (151)	Adapter, carb. to int. mflid.	1	10014243
1234	3.726	X (151) w closed loop (NB1)	Adapter, carb. to int. mflid.	1	10014244
2	3.726	A,B,F (4.35)	Adapter, carb. to int. mflid.	1	10014581
4	3.726	A (4.35)	Adapter, carb. to int. mflid.	1	10014581
1	3.726	A (4.35)	Adapter, carb. to int. mflid.	1	10014581
2	3.726	A,B,F (301W)	Adapter, carb. to int. mflid.	1	10000737
4	3.726	A,B (301W)	Adapter, carb. to int. mflid.	1	10000787
4	3.726	E (231-3)	Adapter, A/clnr. to carb.	1	25040779
1	3.726	A (231-3)	Adapter, A/clnr. to carb.	1	25040779
1234	3.726	X (151)	Bolt, adapter to int. mflid.	1	1257144
1234	3.726	X (151) w/NM5 (Export Canada)	Bolt, adapter to int. mflid.	2	1257144
1234	3.726	X	Bolt, fuel filler clamp to brkt.	1	1257144
1234	3.763	X (151)	Bracket, ret. sprg. & cutoff SW	1	10004199
1234	3.734	X (2.8)	Cap, int. mflid. vac. ftg.	2	343350
CT	3.734	All	Cap, vac. pipe (.218 dia.)	2	343350
1234	3.734	All	Cap, vac. pipe (.218 dia.)	2	343350
234	7	3.734	A (231A) w/NM6 (Export Canada)	1	3928101
1234	7	3.734	B (231A) w/NM6 (Export Canada)	1	3928101
1	3.734	T w/A.I.R., NM1	Cap, 5/32	1	3928101
CT	3.870	C 314 (350) 2 bbl.	Connector, gov. vlv. vac. hose	1	6268181
CT	3.865	C 314 (350)	Control, eng. spd. gov.	1	25007101
CT	3.865	C 314 (350)	Control, eng. spd. gov.	1	25007101
6	3.726	C,D,E,Z,K (368)	Gasket, TBI to int. mflid.	1	1617352
12	3.726	F (4.9T)	Gasket, carb. adapter to int. mflid.	1	10001650
2	3.726	A,B,F (301W)	Gasket, carb. adapter to int. mflid.	1	10001650
4	3.726	A,B, (301W)	Gasket, carb. adapter to int. mflid.	1	10001650
2	3.726	A,B,F (4.35)	Gasket, carb. adapter to int. mflid.	1	10001774
4	3.726	A (4.35)	Gasket, carb. adapter to int. mflid.	1	10001774
1	3.726	A (4.35)	Gasket, carb. adapter to int. mflid.	1	10001774
1234	3.726	X (151)	Gasket, carb. adapter to int. mflid.	1	10004836
1234	3.726	A,B (260F)	Gasket, carb.	1	559342
12	3.726	F (4.9T)	Gasket, carb. to plenum.	1	10013356
2	3.726	A,B,F (301W)	Gasket, carb. to adapter	1	10013917
4	3.726	A,B (301W)	Gasket, carb. to adapter	1	10013917
1	3.726	A (4.35)	Gasket, carb. to adapter	1	10013919
4	3.726	A,B,F (4.35)	Gasket, carb. to adapter	1	10013919
2	3.726	A (231A)	Gasket, carb. to mflid.	1	25502203
5	3.726	A,B (231A)	Gasket, flange	1	25502203
34	3.726	A,B,F (231A)	Gasket, carb. to mflid.	1	25502203
12	3.726	E (231-3)	Gasket, EGR chamber to plenum	1	25504639
4	3.726	A (231-3)	Gasket, EGR chamber to plenum	1	25504639
1	3.726	A (231-3)	Gasket, EGR chamber to int. manif.	1	25504639
1	3.726	All (307)	Gasket, carb.	1	22508038
234	3.726	X (151)	Link, carb. lvr. to idler lvr.	1	10005882
1234	3.843	CK1, 2, 3	Inlet, carb. air	1	14026361
CT	3.726	C, E, K (4.1-4)	Insulator, carb.	1	25516626
6	3.726	B, C, E (4.1-4)	Insulator, carb.	1	25516626
4	3.726	C, E (4.1-4)	Insulator, carb.	1	25516626
3	3.726	E (231-3)	Insulator, E.F.E. Heater	1	25507722
4	3.726	A (231-3)	Insulator, E.F.E. Heater	1	25507722
1	3.726	T	Insulator, E.F.E. Heater	1	14032309
1	3.726	CK2, 3, (292)	Insulator, carb. HT	1	333977
CT	3.726	P2, 3 (42) (292)	Insulator, carb. HT	1	333977
CT	3.726	P1	Insulator, carb. HT	1	333977
CT	3.726	G1, 2 (350L) w/Fed.	Insulator, carb. HT	1	333977
34	3.726	A (305H)	Insulator, carb. HT	1	354310
CT	3.726	G3	Insulator, carb. HT	1	354310
2	3.726	F (305H)	Insulator, carb. HT	1	354310

1981
ADDITIONAL ATTACHING PARTS
 (Continued)

DIV.	GROUP	MODEL USAGE	NOUN NAME & DESCRIPTION	QTY.	PART NO.
1	3.726	B (305H) w/Fed, Calif.	Insulator, carb. HT	1	354310
1234	3.726	X (2.8) w/NM5 (Export Canada)	Insulator, carb. HT	1	477297
1234	3.726	X (151)	Insulator, carb. to adapter	1	10017667
CT	3.726	CKG1, 2 (250)	Insulator, carb. HT	1	14033884
1 5	3.726	A, B, F (229, 267)	Insulator, carb. HT	1	14037622
3	3.726	A, B (267)	Insulator, carb. HT	1	14037622
3	3.726	A, B (267)	Insulator, carb. HT	1	14037622
2	3.726	F (267)	Insulator, carb. HT	1	14037622
2	3.726	A (267)	Insulator, carb. HT	1	14037622
4	3.726	A (267)	Insulator, carb. HT	1	14037622
CT	3.726	C1 (305)	Insulator, carb. HT	1	14037622
CT	3.726	G1, 2 (305)	Insulator, carb. HT	1	14037622
1	3.726	T	Insulator, carb. HT	1	14015698
1234	3.726	X (2.8) w/closed loop (NB1)	Insulator, E.F.E. heater	1	14033194
34	3.726	A (305H)	Insulator, carb. HT	1	14026102
2	3.726	A, F (305H)	Insulator, carb. HT	1	14026102
CT	3.726	CKGP1, 2, 3 (305, 350, 454) w/A.T.	Insulator, carb. HT	1	14026102
CT	3.726	CKG1,2 (305, 350)	Insulator, carb. HTR	1	14030027
1	3.726	A, B, F (305H, 350L)	Insulator, carb. HT	1	14031112
2	3.726	F (305H)	Insulator, carb. HT	1	14031112
2	3.726	A (305H) w/NM6 (Export Canada)	Insulator, carb. HT	1	14031112
1	3.726	Y	Insulator, carb. HT	1	14031112
1 4	3.726	A (231-3)	Plenum, carb. mtg.	1	25507718
4	3.726	E (231-3)	Plenum, carb. mtg.	1	25507720
4	3.750	C, E (307)	Pipe, choke clean air	1	419302
3	3.750	A, B, C, E (307)	Pipe, choke clean air	1	419302
2	3.750	B (307)	Pipe, choke clean air	1	419302
CT	3.818	P3 (454W)	Pipe, choke air ottl.	1	354439
CT	3.818	CK2, 3 (454)	Pipe, choke air ottl.	1	354439
3	3.750	A (231A) w/gages	Relay, choke htr. cont.	1	470374
123	3.750	X w/gages	Relay, choke htr. cont.	1	14039662
1	3.750	A (4.3S)	Relay, choke htr. cont.	1	14039662
1	3.750	Y	Relay, choke htr. cont.	1	14039662
2	3.750	A, B, F w/gages	Relay, choke htr. cont.	1	14039662
CT	3.440	C1 (03) Diesel w/A.C., Fed. (NA5)	Relay, fast idle	1	477327
1234	3.726	X (2.8)	Stud, carb. (3.145)	1	477253
1234	3.726	X (151)	Stud, carb. to manif. (M8 x 1.25 x 98) ..	1	10009159
CT	3.726	CK2, 3 (292)	Shield, carb. HT insul.	1	14025198
CT	3.726	P1, 2, 3 (292)	Shield, carb. HT insul.	1	14025198
CT	3.726	G1, 2 (250)	Shield, carb. HT insul.	1	14025231
CT	3.726	CK1, 2 (03-16) (250)	Shield, carb. HT insul.	1	14025231
12	3.750	F (4.9T)	Shield, electric choke	1	10018193
3	3.755	A, B, C (260F, 307)	Switch, choke therm. vac.	1	22505266
4	3.755	C, E (307) w/closed loop (NB1)	Switch, choke therm. vac.	1	22505266
3	3.755	E (307) w/closed loop (NB1)	Switch, choke therm. vac.	1	22505266
3	3.755	B, E (307) w/NM4 (Export Canada)	Switch, therm. vac.	1	22505978
1234	3.767	X (151)	Spacer, idler lvr. to int. manif.	1	10005862
CT	3.726	P1, 2, 3 (292)	Support, a/c.	1	14025258
CT	3.726	CK2, 3 (292)	Support, a/c.	1	14025258
CT	3.865	C314 (350) (2 bbl.)	Valve, gov. speed	1	6495898
1234	3.755	X (151-5) w/NM4 (Export Canada)	Valve, vac. break	1	10012354

FUEL — EXHAUST — CARBURETION

CORVETTE
1981 ROCHESTER 4BC
(See Model Reference for Application)

GROUP	DESCRIPTION	QTY	1	2	3
3.725	CARBURETOR (Production)	1	17081217	17081218	17081228
3.725	CARBURETOR (Service)	1	17067302	17067304	17068828
3.724	GASKET KIT	1	17067999	17067999	17067999
3.725	POWER CARB KIT	1	7039467	7039467	7039467
3.730	AIR HORN KIT	1	17067786	17067785	17078522
3.820	COMPENSATOR KIT, hot idle	1	—	—	—
3.820	COMPENSATOR KIT, idle load	1	—	—	—
3.766	CONTROL KIT, idle speed	1	—	—	—
3.750	COVER & COIL KIT, hot air choke	1	—	—	—
3.750	COVER & COIL KIT, elect. choke	1	17067495	17067495	17067495
3.740	FILTER KIT, fuel	1	17067151	17067151	17067151
3.734	FLOAT BOWL KIT	1	17067890	17067890	17068821
3.745	FLOAT & INSERT KIT	1	17067445	17067445	17067445
3.745	FLOAT & VENT SCREEN KIT	1	—	—	—
3.738	GASKET KIT, air horn	1	17067279	17067279	17067279
3.750	HOUSING KIT, choke	1	17068268	17068268	17068268
3.814	NEEDLE & SEAT KIT	1	7035134	7035134	7035134
3.814	POWER PISTON KIT	1	—	—	—
3.838	PUMP ASM.	1	17051374	17051374	17051374
3.750	RETAINER KIT, choke cover	1	17067078	17067078	17067078
3.806	ROD & JET KIT, metering	1	17067801	17067801	17067801
3.764	SENSOR KIT, throttle position	1	17067351	17067351	17067351
3.440	SOLENOID KIT, idle	1	17068272	17068272	17068272
3.440	SOLENOID KIT, mixture control	1	17067344	17067344	17067344
3.729	THROTTLE BODY KIT	1	17067796	17067796	17067790
3.755	VACUUM BREAK KIT, prim.	1	17067800	17067800	17067800
3.755	VACUUM BREAK KIT, sec.	1	—	—	—
3.820	VALVE KIT, air bleed	1	17067358	17067358	17067358
3.764	SCREW & PLUG KIT, TPS	1	17078770	17078770	17078770

CORVETTE

MODEL REFERENCE

1982 ELECTRONIC FUEL INJECTION (EFI)

(THROTTLE BODY INJECTED)

- FOLLOW PROCEDURE OUTLINED BELOW TO DETERMINE CARBURETOR AND/OR PART NUMBER
1. DETERMINE VEHICLE MODEL. CHECK VIN DIVISIONAL CODE.
 2. DETERMINE ENGINE AND CARBURETOR TYPE
 3. PART NUMBER CAN BE DETERMINED BY CROSS REFERENCING CORRESPONDING COLUMN NUMBER WITH SAME COLUMN NUMBER ON CHARTS.

PRODUCTION	VIN. DIV. CODE	USAGE	COL. NO.
17082053	1	Y(5,7-8) (FRONT INJECTOR UNIT)	1
17082055	1	Y(5,7-8) (COMPLETE UNIT)	2
17082052	1	Y(5,7-8) (REAR INJECTOR UNIT)	3

1982 EFI SERVICE PACKAGE

COMPONENTS

PARTS LISTED IN THE COMPONENT PACKAGES ON THESE PAGES MAY NOT BE INCLUDED IN ALL KITS.
(SOME CARBURETORS DO NOT REQUIRE ALL PARTS LISTED)

REPLACEMENT TBI PKG

TBI ASM
GASKET-AIR CLEANER
GASKET/INSULATOR-FLANGE

GASKET SET PKG

WASHER-FUEL INJECTOR
O RING-FUEL INJECTOR
SEAL-PRESSURE REGULATOR
GASKET-FUEL METER COVER
GASKET-FUEL METER OUTLET
GASKET-THR BODY TO FUEL MET BODY
GASKET-FUEL INLET NUT
GASKET-FUEL OUTLET NUT
GASKET-AIR CLEANER
GASKET/INSULATOR-FLANGE

FUEL METER ASM PKG

FUEL METER ASM (SERVICE)
GASKET-THR BODY TO FUEL MET BODY
GASKET-FUEL INLET NUT
GASKET-FUEL OUTLET NUT
SCREW ASM-THR BODY ATTACHING

FUEL INJECTOR PKG

SEAL-PRESSURE REGULATOR
FUEL INJECTOR
WASHER-FUEL INJECTOR
O RING-FUEL INJECTOR
GASKET-FUEL METER COVER
GASKET-FUEL METER OUTLET

THROTTLE BODY ASM PKG

THROTTLE BODY ASM (SERVICE)
RETAINER-THR POSIT SENSOR SCREW
SCREW ASM-THR BODY ATTACHING
POWER BRAKE FITTING

THROTTLE POSITION SENSOR PKG

SENSOR-THROTTLE POSITION
RETAINER-THR POSIT SENSOR SCREW
SCREW ASM-SENSOR ATTACHING
LEVER-THR POSITION SENSOR
SCREW-LEV ATTACHING

IDLE SPEED CONTROL ASM PKG

IDLE SPEED CONTROL ASM
SCREW-ASM ATTACHING
CONNECTOR-PACKARD ELEC

FUEL INLET/OUTLET NUT PKG

NUT-FUEL INLET
NUT-FUEL OUTLET
GASKET-FUEL INLET NUT
GASKET-FUEL OUTLET NUT
POWER BRAKE FITTING

SCREW ASSORTMENT PKG

SCREW ASM-FUEL METER (LONG)
SCREW ASM-FUEL METER (SHORT)
SCREW-TPS LEVER ATTACHING
LEVER-THR POSITION SENSOR
SCREW-THROTTLE STOP
SPRING-THROTTLE STOP SCREW
SCREW ASM-THR BODY ATTACHING

FUEL — EXHAUST — CARBURETION

1982
ADDITIONAL ATTACHING PARTS

DIV.	GROUP	MODEL USAGE	NOUN NAME & DESCRIPTION	QTY	PART
12345	3 734	Y	CAP VAC PIPE (2 1/8 DIA)	AR	343350
	3 726	Y (5 7-8)	GASKET THROTTLE BODY INJ	Q1	14044605
12	3 750	Y	RELAY CHOKE HTR CONT	Q1	14039662
	3 726	Y (5 7-8)	STUD THROT BODY INJ (5/16-18 BOTH ENDS)	AR	14044659

FUEL — EXHAUST — CARBURETION

CORVETTE
 1982 ELECTRONIC FUEL INJECTION (EFI)
 (THROTTLE BODY INJECTED)
 (SEE MODEL REFERENCE FOR APPLICATION)

GROUP	DESCRIPTION	QTY	1	2	3	4	5
3 725	THROTTLE BODY INJECTION (FRT) (PROD)	1	17082053	17082055	17082052	—	—
3 724	GASKET KIT	1	17079729	—	17079729	—	—
3 725	THROTTLE BODY INJ (COMPLETE) (SERVICE)	1	—	17078834	—	—	—
3 725	THROTTLE BODY INJ FRT (SERVICE)	1	17079738	—	—	—	—
3 725	THROTTLE BODY INJ RR (SERVICE)	1	—	—	17079736	—	—
3 734	ACCUMULATOR KIT PRESSURE FRT	1	17079721	—	—	—	—
3 724	BODY KIT THROTTLE FRT	1	17079716	—	—	—	—
3 820	CONTROL KIT IDLE AIR VALVE	1	17078832	—	17078832	—	—
3 726	COVER KIT MANIFOLD INLET	1	—	17079728	—	—	—
3 724	FASTENER ASSORT KIT	1	17078848	—	17078631	—	—
3 724	FASTENER KIT MANIFOLD CVR ATTACH	1	—	17078839	—	—	—
3 774	FUEL INJECTOR KIT	1	—	—	17078827	—	—
3 774	FUEL INJECTOR KIT FRT	1	17078846	—	—	—	—
3 724	FUEL INLET & OUTLET KIT FRT (NUT & WASHER)	1	17078847	—	—	—	—
3 724	FUEL INLET & OUTLET KIT RR (NUT & WASHER)	1	—	—	17078830	—	—
3 734	FUEL METER BODY KIT FRT	1	17078842	—	—	—	—
3 724	FUEL METER BODY KIT RR	1	—	—	17078833	—	—
3 734	FUEL METER KIT FRT (ONE INJ & PRESSURE REG INCL)	1	17078845	—	—	—	—
3 734	FUEL METER KIT RR (ONE INJ & PRESSURE REG INCL)	1	—	—	17079734	—	—
3 774	GASKET & FILTER KIT FUEL METER	1	17079670	—	17079670	—	—
3 734	REGULATOR KIT PRESSURE RR	1	—	—	17079719	—	—
3 724	SCREW KIT THROTTLE SYNCHRONIZING	1	—	17079683	—	—	—
3 440	SENSOR KIT THROTTLE POSITION	1	—	17078828	—	—	—
3 729	THROTTLE BODY W/ROD KIT RR	1	—	—	17079718	—	—
3 163	TUBE KIT FUEL	1	—	17073725	—	—	—

FUEL - EXHAUST - CARBURETION

1982 --- FUEL TANK METER ASSEMBLIES
(UNLEADED)

USAGE	3.107 METER	METER OUTLETS	GROUND WIRE COLOR	3.001 FUEL TANK	APPROX. CAPACITY (LITERS)
Y	25003153	3	BLACK	00457999	95

MICROFICHE INDEX

GROUP 3.000

FICHE 2 OF 6

GROUP DESCRIPTION	STARTING GRID LOCATION	
	PARTS	ILLUSTRATIONS
- INTRODUCTION	A-6	I-2
- GENERAL INFORMATION	A-2	I-2
- ALPHABETICAL INDEX	C-11	N.A.
- INDEX FOR ADDITIONAL INFORMATION	A-5	N.A.
3.000 FUEL - EXHAUST - CARBURETION	E-2	I-6
- CARBURETOR CHARTS	F-20	N.A.
- OUT OF FICHE CALLS	N.A.	N-9

H-1

FUEL—EXHAUST—CARBURETION

3.701 MUFFLER, Engine Exhaust

V59

1953-55 CORVETTE EXHAUST SYSTEM

NOTE: Devices listed in this group are certified to meet California and Florida exhaust noise regulations when used on vehicles for which they are listed.

ENGINE	MUFFLER 3.701	EXHAUST PIPE 3.609	TAILPIPE 3.705
283	3815512 (R.H.)A 3815511 (L.H.)A 3813533 (L.H.)BC 3813534 (R.H.)BC	—	—

NOTE: Exhaust Pipes for 1955 (8 Cyl.) are no longer available.

A. Low noise.

B. w/exh. pipe ext.

C. Used for off road service or track use only.

1956 CORVETTE EXHAUST SYSTEM

ENGINE	MUFFLER 3.701	EXHAUST PIPE 3.609	TAILPIPE 3.705
283	3815512 (R.H.)A 3815511 (L.H.)A 3813533 (L.H.)BC 3813534 (R.H.)BC		

A. Low noise.

B. w/exh. Pipe ext.

C. Used for off road service or track use only.

1957 CORVETTE EXHAUST SYSTEM

ENGINE	MUFFLER 3.701	EXHAUST PIPE 3.609	TAILPIPE 3.705
283	3815512 (R.H.)A 3815511 (L.H.)A 3813533 (L.H.)BCF 3813534 (R.H.)BCF	3752555 (LH) 3752556 (RH) 3735167 (LH)E 3735164 (RH)E	— —

A. Low noise.

B. For off road service or track use only.

C. w F.I.

D. Crossover no longer avail.

E. Exc. F.I.

F. w/exh. pipe ext.

FUEL—EXHAUST—CARBURETION

1958-59 CORVETTE EXHAUST SYSTEM

V60

ENGINE	MUFFLER 3.701	EXHAUST PIPE 3.609	TAILPIPE 3.705
283	3815512 (R.H.)A 3815511 (L.H.)A 3813533 (L.H.)BCDH 3813534 (R.H.)BCDH	— — 3735167 (LH)C 3735164 (RH)G	3752555 (L.H.) 3752556 (R.H.)

- A Low noise
- B For off road service or track use only
- C w F.I.
- D (Dual 4BC w H.L. Cam)
- E Crossover no longer avail
- F No longer avail
- G (Exc F.I. dual 4BC w H.L. Cam)
- H w exh pipe ext.

1960-61 CORVETTE EXHAUST SYSTEM

ENGINE	MUFFLER 3.701	EXHAUST PIPE 3.609	TAILPIPE 3.705
283	3813533 (L.H.)ABKE 3813534 (R.H.)ABKE 3815511 (L.H.)J 3815512 (R.H.)J	— — 3735164 (RH)CD 3735167 (LH)CD	3752555 (L.H.)F 3752556 (R.H.)F 3796745 (L.H.)G 3796746 (R.H.)G

- A w F.I.
- B (Dual 4BC w H.L. Cam)
- C Exc F.I.
- D (Exc dual 4BC w H.L. Cam)
- E w exh pipe ext.
- F 1960
- G 1961
- H Crossover no longer avail.
- I No longer avail
- J Low noise
- K For off road service or track use only

1962 CORVETTE EXHAUST SYSTEM

ENGINE	MUFFLER 3.701	EXHAUST PIPE 3.609	TAILPIPE 3.705
327 (exc off road exh.)	3815511 (L.H.)F 3815512 (R.H.)F 3813534 (R.H.)ACE 3813533 (L.H.)ACE	3796745 (LH) 3796746 (RH) 3798789 (LH)A 3798790 (RH)A 3735164 (RH)B 3735167 (LH)B	— —

- A w H Per. Sp. H. Per., F.I.
- B Exc H Per. Sp. H. Per., F.I.
- C w exh pipe ext.
- D Crossover no longer avail.
- E For off road service or track use only.
- F Low noise

FUEL—EXHAUST— CARBURETION

1963 CORVETTE EXHAUST SYSTEM

V61

ENGINE	MUFFLER 3.701	EXHAUST PIPE 3.609	TAILPIPE 3.705
327 (exc. off road exh)	3943386 (R H)A 3943385 (L H)A 3846532 (R H)B 3846532 (R H)C 3846531 (L H)B 3846531 (L H)C	3819565 (frt LH)A 3819566 (frt RH)A 3830631 (rr LH)A 3830632 (rr RH)A — — 3822582 (frt RH)B 3822582 (frt RH)C 3846533 (rr LH)B 3846533 (rr LH)C 3830628 (rr RH)B 3830628 (rr RH)C	3819573
327 w. off road exh	3845735 (L H)DE 3845736 (R H)DE	—	3819573

A. w H. Per., Sp. H. Per., F.I. (exc. P.G.)
 B. (H. Per. w. P.G.)
 C. (Exc. H. Per., Sp. H. Per., F.I.)
 D. w. exh. pipe
 E. For off road service or track use only.

1964 CORVETTE EXHAUST SYSTEM

ENGINE	MUFFLER 3.701	EXHAUST PIPE 3.609	TAILPIPE 3.705
327 (exc. off road exh)	3943386 (R H)A 3943385 (L H)A 3846532 (R H)B 3846532 (R H)C 3846531 (L H)B 3846531 (L H)C	3849861 (frt LH)A 3849862 (frt RH)A 3863497 (rr LH)A 3863498 (rr RH)A 3846533 (rr LH)B 3846533 (rr LH)C 3846534 (rr RH)B 3846534 (rr RH)C 3849865 (frt LH)B 3849865 (frt LH)C 3849866 (frt RH)B 3849866 (frt RH)C	3819573
327 w/off road exh.	3845735 (L H)DE 3845736 (R H)DE	—	3819573

A. w H. Per., Sp. H. Per., F.I. (exc. P.G.)
 B. (H. Per. w. P.G.)
 C. (Exc. H. Per., Sp. H. Per., F.I.)
 D. w. exh. pipe
 E. For off road service or track use only.

FUEL—EXHAUST—CARBURETION

1965 CORVETTE EXHAUST SYSTEM

V62

ENGINE	MUFFLER 3.701	EXHAUST PIPE 3.609	TAILPIPE 3.705
327 (exc. side mtd. exh., off road exh)	3846531 (L.H.)C 3846531 (L.H.)E 3846532 (R.H.)C 3846532 (R.H.)E 3943385 (L.H.)B 3943386 (R.H.)B	3863498 (rr. RH)B 3863497 (rr. LH)B 3846534 (rr. RH)C 3846534 (rr. RH)E 3846533 (rr. LH)C 3846533 (rr. LH)E 3849861 (frt. LH)B 3849862 (frt. RH)B 3849865 (frt. LH)C 3849865 (frt. LH)E 3849866 (frt. RH)C 3849866 (frt. RH)E	3819573
327 w./side mtd. exh.	3872971 (L.H.)AF 3872972 (R.H.)AF	—	—
327 w./off road exh	3845735 (L.H.)D 3845736 (R.H.)D	—	3819573
396 (exc. side mtd. exh., off road exh)	3943385 (L.H.) 3943386 (R.H.)	3869583 (frt. LH) 334932 (frt. RH) 3863498 (rr. RH) 3863497 (rr. LH)	3819573
396 w./side mtd. exh.	3872969 (L.H.)AF 3872970 (R.H.)AF	—	—
396 w./off road exh	3845735 (L.H.)D 3845736 (R.H.)D	—	3819573

- A w. exh. and tailpipe
- B H. Per., Sp. H. Per., F.I. (exc. P.G.)
- C H. Per. w. P.G.
- D w. exh. pipe
- E Exc. H. Per., Sp. H. Per., F.I.
- F. For off road service or track use only.

FUEL—EXHAUST—CARBURETION

1966-1967 CORVETTE EXHAUST SYSTEM

V63

ENGINE	MUFFLER 3.701	EXHAUST PIPE 3.609	TAILPIPE 3.705
327 (exc. side mtd. exh., off road exh.)	3943386 (R.H.)B 3846531 (L.H.)C 3846532 (R.H.)C 3943385 (L.H.)B 3943386 (R.H.)B	334926 (frt. RH)B 3847865 (frt. LH)C 3849866 (frt. RH)C 3877209 (frt. LH)B 334926 (frt. RH)B 3846533 (rr. LH)C 3846534 (rr. RH)C 3863497 (rr. LH)B 3863498 (rr. RH)B	3819573
327 w./side mtd. exh.	3877215 (L.H.)AG 3877216 (R.H.)AG	—	—
327 w./off road exh.	3845735 (L.H.)D 3845736 (R.H.)D	3863497 (rr. LH) 3863498 (rr. RH)	3819573
427 (exc. side mtd. exh., off road exh.)	3943385 (L.H.)BE 3943386 (R.H.)BE 3846531 (L.H.)CF 3846532 (R.H.)CF	3863583 (LH frt.)B 334932 (frt. RH)B 3880401 (frt. LH)C 3830402 (frt. RH)C 3863497 (rr. LH) 3863498 (rr. RH)	3819573
427 w./side mtd. exh.	3872969 (L.H.)AG 3872970 (R.H.)AG	—	—
427 w./off road exh.	3845735 (L.H.)D 3845736 (R.H.)D	3863497 (rr. LH) 3863498 (rr. RH)	3819573

- A. w. exh. and tail pipe
- B. Exc. P.G.
- C. w. P.G.
- D. w. exh. pipe
- E. w. T.H.
- F. Exc. T.H.
- G. For off road service or track use only.

1968 CORVETTE EXHAUST SYSTEM

ENGINE	MUFFLER 3.701	EXHAUST PIPE 3.609	TAILPIPE 3.705
327	3943385 (L.H.) A 3943386 (R.H.) A 3943385 (L.H.) BG 3943386 (R.H.) BG	334926 (RH) (front) C 334925 (LH) (front) 334940 (RH) (front) D 3931829 (LH) (rear) 3931830 (RH) (rear) C 3931800 (RH) (rear) D	3952742
427	3943385 (L.H.) A 3943386 (R.H.) A 3943385 (L.H.) BG 3943386 (R.H.) BG	3880401 (LH) (front) 334932 (RH) (front) C 334940 (RH) (front) E 334936 (RH) (front) F 3931829 (LH) (rear) 3931830 (RH) (rear) C 3931800 (RH) (rear) D	3952742

- A. Exc. off road exhaust
- B. w. off road exhaust
- C. Exc. T.H.
- D. w. T.H.
- E. w. T.H. (exc. 4BC w. H-Per.)
- F. (T.H. w. H-Per.)
- G. For off road service or track use only

FUEL—EXHAUST—CARBURETION

1969 CORVETTE EXHAUST SYSTEM

V64

ENGINE	MUFFLER 3.701	EXHAUST PIPES 3.609	TAILPIPE 3.705
350 w side mtd exh	3979479 (L H) A 3979478 (R H) A	—	—
350 (exc side mtd exh)	3960601 (L H) 3960602 (R H)	334921 (LH) (front) B 334922 (RH) (front) B 334923 (LH) (front) C 334924 (RH) (front) C 3960603 (LH) (rear) 3960604 (RH) (rear) B 3960606 (RH) (rear) C	3952742
427 w side mtd exh	3973871 (L H) A 3979480 (R H) A	—	—
427 (exc side mtd exh)	3960601 (L H) 3960602 (R H)	3952729 (LH) (front) B 3952730 (RH) (front) B 3952731 (LH) (front) C 3952732 (RH) (front) C 3960603 (LH) (rear) 3960604 (RH) (rear) B 3960606 (RH) (rear) C	3952742

A Muffler Asm includes exh and tailpipe.
B (exc T.H. 400)
C w T.H. 400.

1970-72 CORVETTE EXHAUST SYSTEM

ENGINE	MUFFLER 3.701	EXHAUST PIPES 3.609	TAILPIPES 3.705
350 (exc Sp. H/Per)	3960601 (L H) 3960602 (R H)	334921 (frt. LH) A 334922 (frt. RH) A 334923 (frt. LH) B 334924 (frt. RH) B 3960603 (rr. LH) 3960604 (rr. RH) A 3960606 (rr. RH) B	3974659 (L H) 3974660 (R H)
350 (w/Sp. H/Per)	3943386 (R H) 3943385 (L H)	334926 (frt. RH) 334925 (frt. LH) 3931829 (rr. LH) 3931830 (rr. RH)	3974659 (L H) 3974660 (R H)
454	3943385 (L H) 3943386 (R H)	334932 (frt. RH) A 334929 (frt. LH) 334936 (frt. RH) B 3931829 (rr. LH) 3931830 (rr. RH) A 3931800 (rr. RH) B	3974659 (L H) 3974660 (R H)

A Exc. T.H. 400.
B w T.H. 400.

FUEL—EXHAUST—CARBURETION

1973 CORVETTE EXHAUST SYSTEM

V65

ENGINE	MUFFLER 3.701	EXHAUST PIPES 3.609	TAILPIPES 3.705
350 (exc. Sp. H/Per.)	334993 (L.H.) 334994 (R.H.)	334921 (frt. LH) A 334922 (frt. RH) A 334923 (frt. LH) B 334924 (frt. RH) B 3960603 (rr. LH) 3960604 (rr. RH) A 3960606 (rr. RH) B	330997 (L.H.) 330998 (R.H.)
350 (w/Sp. H/Per.)	334995 (L.H.) 334996 (R.H.)	334925 (frt. LH) 334926 (frt. RH) A 334940 (frt. RH) B 3931829 (rr. LH) 3931830 (rr. RH) A 3931800 (rr. RH) B	330997 (L.H.) 330998 (R.H.)
454	334995 (L.H.) 334996 (R.H.)	334932 (frt. RH) A 334929 (frt. LH) 334936 (frt. RH) B 3931829 (rr. LH) 3931830 (rr. RH) A 3931800 (rr. RH) B	330997 (L.H.) 330998 (R.H.)

A Exc. T.H. 400.
B w/T.H. 400.

1974 CORVETTE EXHAUST SYSTEM

ENGINE	MUFFLER 3.701	EXHAUST PIPES 3.609	RESONATOR W/PIPE 3.609
350 (exc. Sp. H/Per.)	340829 (L.H.) 340830 (R.H.)	334921 (frt. LH) A 334922 (frt. RH) A 334923 (frt. LH) B 334924 (frt. RH) B	340821 (L.H.) 340822 (R.H.) A 340824 (R.H.) B
350 (w/Sp. H/Per.)	340831 (L.H.) 340832 (R.H.)	334925 (frt. LH) 334926 (frt. RH) A 334940 (frt. RH) B	340825 (L.H.) 340826 (R.H.) A 340828 (R.H.) B
454	340831 (L.H.) 340832 (R.H.)	334929 (frt. LH) 334932 (frt. RH) A 334936 (frt. RH) B	340825 (L.H.) 340826 (R.H.) A 340828 (R.H.) B

A Exc. T.H. 400
B w/T.H. 400
* Includes Tailpipe

FUEL—EXHAUST—CARBURETION

1975-76 CORVETTE EXHAUST SYSTEM

V66

ENGINE	EXHAUST PIPE 3.609	MUFFLER* 3.701	RESONATOR 3.702
350	356949 (A) 1975 356948 (B) 1975 356947 (C) 1975 356958 (D) 1975 357780 (D) 1976 357778 1976	356972 (RH) 1975 356971 (LH) 1975 356972 (RH) 1976 356971 (LH) 1976	— — —

(*) Includes pipe.

1977-79 CORVETTE EXHAUST SYSTEM

ENGINE	EXHAUST PIPE 3.609	MUFFLER* 3.701	RESONATOR 3.702
350 (EXC. SP. H/PER) (EXC. SP. H/PER) w/Sp. H/Per. w/Sp. H/Per. (EXC. SP. H/PER) (EXC. SP. H/PER)	371789 1977-79 CF 356947 1977-79 CG 357780 1977-78 D 4590801 1978 D 459080 1979 D	378170 1977 (RH) 378189 1977 (LH) (H) 458963 1978 (LH) (H) 458964 1978 (RH) 473035 1978-79 (LH) 473036 1978-79 (RH) (*)476875 (1979) (LH) (*)476876 (1979) (RH)	— — — — — — — —

(A) w/T.H. 400

(B) Exc. T.H. 400

(C) Front

(D) Rear

(F) Federal

(G) California

(H) When using 458963 and 458964 in place of 378170, 378189, 356971 and 356972, it may be necessary to reverse position of tailpipe hanger.

(*) Includes pipe.

1980 CORVETTE EXHAUST SYSTEM

ENGINE	EXHAUST PIPE 3.609	MUFFLER* 3.701	RESONATOR 3.702
(305H)	475337 Frt 475339 Rr	14011294 RH 14011293 LH	— —
(350) W/Sp H/Perf	475337 Frt 475339 Rr	14011294 RH 14011293 LH	— —
(350) Exc. Sp H/Perf	475337 Frt 475339 Rr	14011294 RH 14011293 LH	— —

(*) Includes pipe.

1981 CORVETTE EXHAUST SYSTEM

ENGINE	EXHAUST PIPE 3.609	MUFFLER* 3.701	RESONATOR 3.702
350	14030150 Frt 14018947 Rr	14018966 RH 14018965 LH	— —

(*) Includes pipe.

1982 CORVETTE EXHAUST SYSTEM

ENGINE	EXHAUST PIPE 3.609	MUFFLER* 3.701	RESONATOR 3.702
350	14044526 Frt 14044525 Rr	14018966 RH 14018965 LH	— —

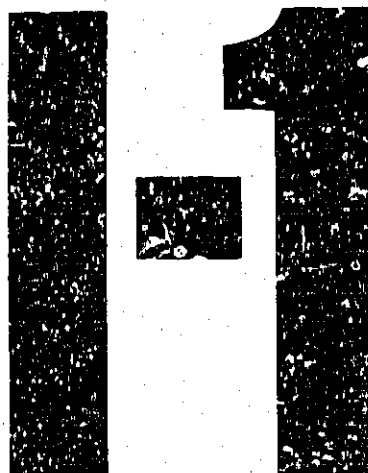
(*) Includes Pipe

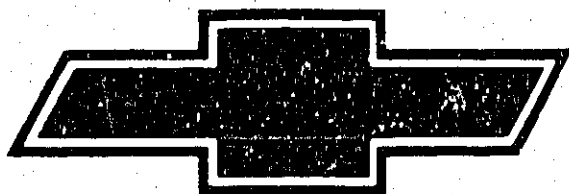
MICROFICHE INDEX

GROUP 3.000

FICHE 2 OF 6

GROUP DESCRIPTION	STARTING GRID LOCATION	
	PARTS	ILLUSTRATIONS
- INTRODUCTION	A-6	I-2
- GENERAL INFORMATION	A-2	I-2
- ALPHABETICAL INDEX	C-11	N.A.
- INDEX FOR ADDITIONAL INFORMATION	A-5	N.A.
3.000 FUEL - EXHAUST - CARBURETION	E-2	I-6
- CARBURETOR CHARTS	F-20	N.A.
- OUT OF FICHE CALLS	N.A.	N-9





CHEVROLET

INTRODUCTION

This **ILLUSTRATION CATALOG** has been compiled to assist in the location and identification of service parts.

The illustrations herein may not always show the exact part required, however, for identification purposes the group number or noun name can be readily located from a view covering a typical illustration.

The layout of the information contained in this publication is such that the illustrations can be removed for combining with the Parts Listing Catalog Sections by groups. The "single" catalog concept can be maintained using this system, or the separate Illustration Catalog and Parts Listings Catalogs can be used.

During each calendar year complete reprints of the catalog are published as part of the Catalog Revision Service. New or revised illustrations are mailed to dealers subscribing to the revision service as they are scheduled.

All specifications and illustrations contained in this publication are based on the latest product information available at the time of printing. Warehousing and Distribution Division reserves the right to make changes at any time without notice in data, specifications, material and models.

Due to Engineering and or part number changes, all part number application herein should be verified by referring to the Parts Catalog.



ILLUSTRATION CATALOG GROUP FORMAT



GROUP	CORVETTE ILLUSTRATION CONTENTS
0.000	ENGINES — ENGINE TRANSMISSION MOUNTING — CLUTCH ASSEMBLIES — CLUTCH LINKAGE
1.000	RADIATOR MOUNTING — RADIATOR GRILLES — ENGINE OIL PUMPS — PULLEYS & BELTS
2.000	STARTER MOTORS — ALTERNATORS — DISTRIBUTORS — ALTERNATOR MOUNTINGS — ANTI THEFT SYSTEMS — CHASSIS WIRING — FRONT LAMPS — REAR LAMPS
3.000	FUEL SUPPLY SYSTEMS — FUEL INJECTION SYSTEMS — ACCELERATOR CONTROLS — CRUISE CONTROLS — AIR CLEANER & EMISSION PARTS — CARBURETION — EXHAUST SYSTEMS
4.000	MANUAL TRANSMISSIONS — LINKAGE — AUTOMATIC TRANSMISSIONS — LINKAGE — BRAKES — PARKING BRAKES — BRAKE PEDAL — MASTER CYLINDER — VACUUM OR BOOSTER CYLINDERS — BRAKE CALIPERS — WHEEL CYLINDERS — BRAKE LINES — ANTI-SKID DEVICES
5.000	FRONT/REAR DRUM BRAKE — REAR AXLES — LOCKING DIFFERENTIAL — WHEEL COVERS
6.000	FRONT SUSPENSION — STEERING WHEEL AND HORN PARTS — STEERING COLUMN, LINKAGE AND RELATED PARTS — STEERING COLUMN (EXPLODED) — STEERING PUMP — STEERING PUMP MOUNTINGS
7.000	FRAME COMPONENTS — REAR SUSPENSIONS — FRONT BUMPER — REAR BUMPER
8.000	FRONT END SHEET METAL — WHEEL OPENING COVERS — BASE HEATER SYSTEMS — HEATER COMPONENTS OR ASSEMBLIES
9.000	BODY MOUNTING — A.C. COMPRESSORS — A. C. REFRIGERATION COMPONENTS — A. C. COMPRESSOR MOUNTING (A. C. SYSTEMS-BY CARLINE*) — A. C. REFRIGERATION SYSTEM* — A. C. AIR DISTRIBUTION SYSTEM* — A. C. CONTROLS* — A. C. ELECTRICAL* — A. C. HEATER & DEFROSTER ASM/A. C. MODULE/EVAPORATOR & BLOWER ASM. — ANTENNAS, RADIOS — INSTRUMENT PANEL CLUSTERS — DEFOGGER SYSTEMS — INTERIOR VENTILATION SYSTEMS (ALSO SEE GRP. 10.00) INSTR. PNL.)



ILLUSTRATION CATALOG GROUP FORMAT



GROUP CORVETTE ILLUSTRATION CONTENTS

-
- 10.000 EXTERIOR VIEWS — WINDSHIELD WIPER & WASHERS — WINDSHIELD WIPER MOTOR & PUMPS — MIRRORS — INSTRUMENT PANEL & HARDWARE — CONSOLES, SEAT SEPARATORS — DOOR HARDWARE: — FRONT DOORS — REAR DOORS — BODY WEATHERSTRIPS
-
- 11.000 QUARTER WINDOW HARDWARE — SEAT BACK LOCKS — AUXILIARY TOP
-
- 12.000 BODY MOLDINGS/STRIPES/DECALS — BODY SHEET METAL — REAR COMPARTMENT TRIM & HARDWARE (HATCHBACK TYPES) — ROOF OPTIONS - & SPECIAL TOPS — ROOF TOP CARRIERS - RACKS
-
- 13.000 BODY WIRING — CONVERTIBLE TRIM
-
- 14.000 & SEAT STYLES — INTERIOR TRIM — BELT & AIR CUSHION RESTRAINT
15.000 SYSTEMS — REAR COMPARTMENT TRIMS (ALSO SEE 12 GRP.)
-

NOTE — THIS IS A GENERAL OUTLINE OF THE CURRENT ILLUSTRATION SEQUENCE.

ILLUS

3

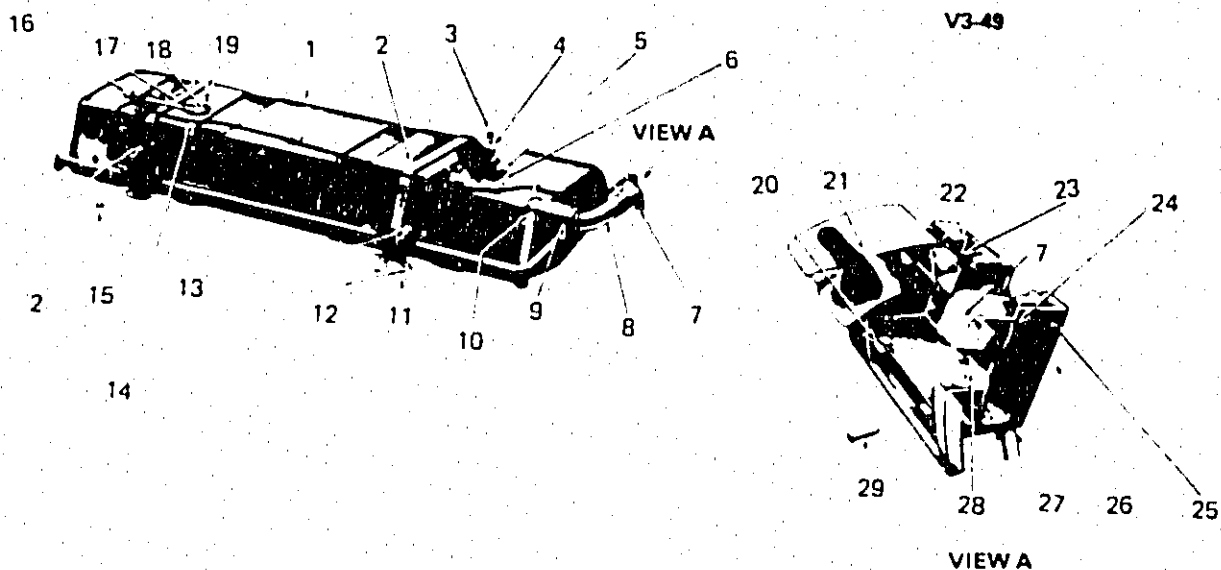


CHEVROLET CHASSIS GROUP 3.000



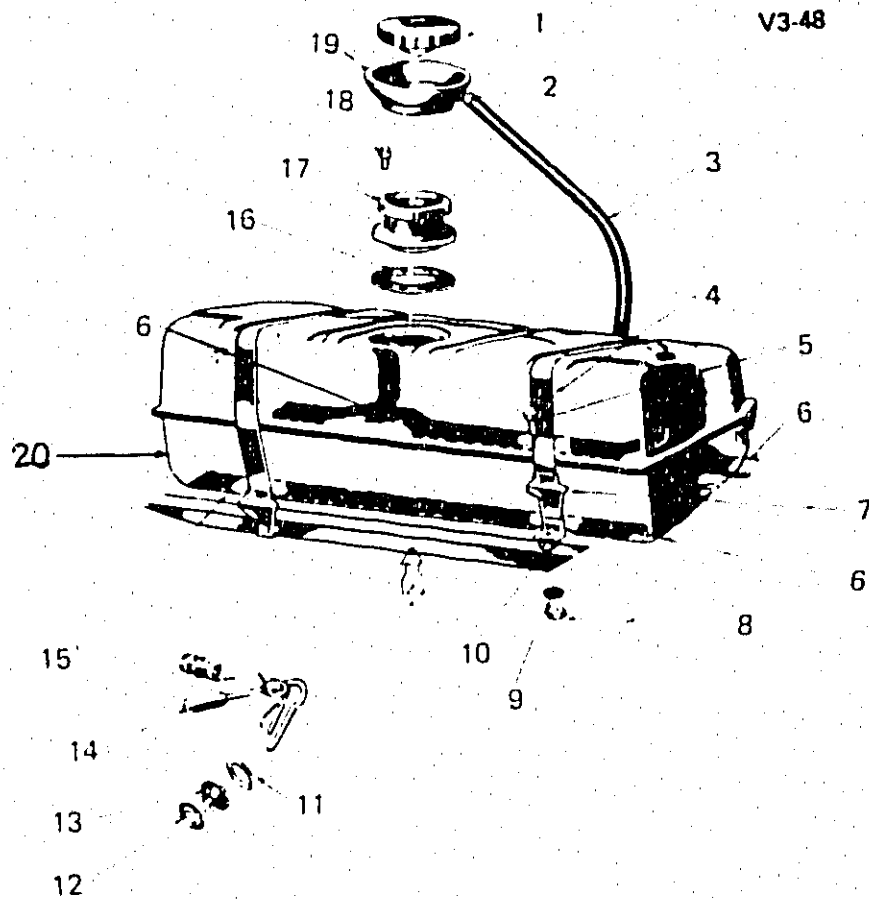
ILLUSTRATION INDEX

TITLE	GRID	TITLE	GRID
1958-62 Y FUEL TANK AND DOOR	I 8	1973-75 Y AIR INJECTOR REACTOR (A.I.R.)	J20
1963-67 Y FUEL TANK	I 9	1976-81 Y A.I.R. SYSTEM	J21
1963-67 Y FUEL SUPPLY SYSTEM	I 10	1982 Y A.I.R. SYSTEM	J22
1968-81 FUEL SUPPLY SYSTEM	I 11	1982 Y HOOD AIR INTAKE	J24
1982 Y FUEL SUPPLY & EVAPORATIVE SYSTEM	I 12	1982 Y T.B.I. ASSEMBLY & AIR CLEANER	J25
1957-62 FUEL INJECTION	I 14	1982 Y THROTTLE BODY INJECTION UNITS (TBI)	J26
1957-62 FUEL INJECTION AIR METER	I 15	1955-69 ROCHESTER 2 BBL. CARBURETOR-THROTTLE BODY AND BOWL	J28
1957-62 FUEL INJECTION FUEL METER	I 16	1955-69 ROCHESTER 2 BBL. CARBURETOR-HORN AND CHOKE	K2
1961-62 FUEL INJECTION AIR CLEANER	I 18	1964-72 HOLLEY 4 BBL. CARBURETOR	K3
1963-65 Y FUEL INJECTION AIR CLEANER	I 19	1955 ROCHESTER 4 BBL. CARBURETOR	K5
1958 Y ACCELERATOR CONTROLS	I 20	1956-69 ROCHESTER 4 BBL. CARBURETOR AIR HORN ASM.	K7
1963-67 Y ACCELERATOR CONTROLS	I 21	1956-69 ROCHESTER 4 BBL. CARBURETOR THROTTLE BODY AND BOWL	K8
1969-72 Y ACCELERATOR PEDAL, ROD AND BRACKET	I 22	ROCHESTER 4 BBL. (QUADRAJET) FLOAT BOWL PARTS	K9
1968-72 Y ACCELERATOR CONTROL CABLE	I 22	ROCHESTER 4 BBL. (QUADRAJET) AIR HORN PARTS	K10
1973-81 Y ACCELERATOR CONTROLS	I 23	ROCHESTER 4 BBL. (QUADRAJET) THROTTLE BODY PARTS	K11
1982 Y ACCELERATOR CONTROLS	I 24	1951-70 CARTER 4 BBL. CARBURETOR BOWL	K12
1977-78 Y CRUISE CONTROL	I 25	1961-70 CARTER 4 BBL. CARBURETOR AIR HORN ASM.	K13
1979-82 Y CRUISE CONTROL	I 26	ROCHESTER 4 BBL. CARBURETOR QUADRAJET CARBURETOR - E4ME/ E4MC	K16
1967-59 427 CU IN 3 X 2 BBL FUEL PIPES AND PUMP	I 27	1956-61 DUAL 4 BBL. CARBURETOR LINKAGE	K18
1970 Y CARBURETOR MOUNTING	I 27	1967-69 Y 3 X 2 CARBURETOR LINKAGE	K19
1970-74 Y 454 CARBURETOR FUEL SPARK PIPES AND HOSES	I 28	1975-79 Y CARBURETOR & CHOKE PIPES	K20
1958-67 283-327 CLOSED POSITIVE VENTILATION	J2	1973-76 Y CARBURETOR AIR CONTROL	K20
1971-72 Y 454 H/PER. CRANKCASE VENTILATION	J3	1969 Y SIDE MOUNTED EXHAUST	K21
1973-75 Y POSITIVE CRANKSHAFT VENTILATION (PCV)	J4	1961-62 Y EXHAUST SYSTEM	K22
1976-79 Y AIR CLEANER & EMISSION PARTS	J5	1963-67 Y EXHAUST SYSTEM	K23
1980 Y 305-350 V8 ENGINE AIR CLEANER & EMISSION PARTS	J6	1965-67 Y SIDE MOUNTED EXHAUST SYSTEM	K24
1981 Y 5.7 LITER V8 ENGINE EMISSION CONTROLS (L81-350)	J8	1968-72 Y MUFFLER, TAIL PIPE & FRAME ATTACHMENT	K25
1981 Y ELECTRONIC EMISSION CONTROL	J10	1968-73 Y FRONT EXHAUST PIPES	K26
1982 Y ELECTRONIC EMISSION CONTROLS	J12	1968-74 Y EXHAUST PIPES W/T.H.	K27
1968 Y AIR CLEANER AND VENT HOSES	J14	1974 Y EXHAUST SYSTEM	K28
1968 Y DIVERTER VALVE AND A.I.R. HOSES	J14	1975 Y EXHAUST SYSTEM	L2
1966-67 V8, AIR CLEANER AND A.I.R. HOSES	J15	1976-79 Y EXHAUST SYSTEM	L3
1968-69 Y 427 DIVERTER VALVE AND A.I.R. HOSES	J16	1980-81 Y EXHAUST SYSTEM	L4
1967-69 Y 3 X 2 AIR CLEANER AND A.I.R. HOSES	J17	1982 Y EXHAUST SYSTEM	L5
1970-76 Y V-8 ENG. 350 A.I.R. PUMP MOUNTING	J18	1976-80 EMISSION CONTROL DEVICES	L6
1970-76 Y 350 SPEC. H/P DIVERTER VALVE	J18	1976-80 EMISSION CONTROL DEVICES	L8
1974 Y AIR CLEANER AND SEAL, CARBURETOR AND CHOKE	J19		



1958-62 'Y' FUEL TANK AND DOOR

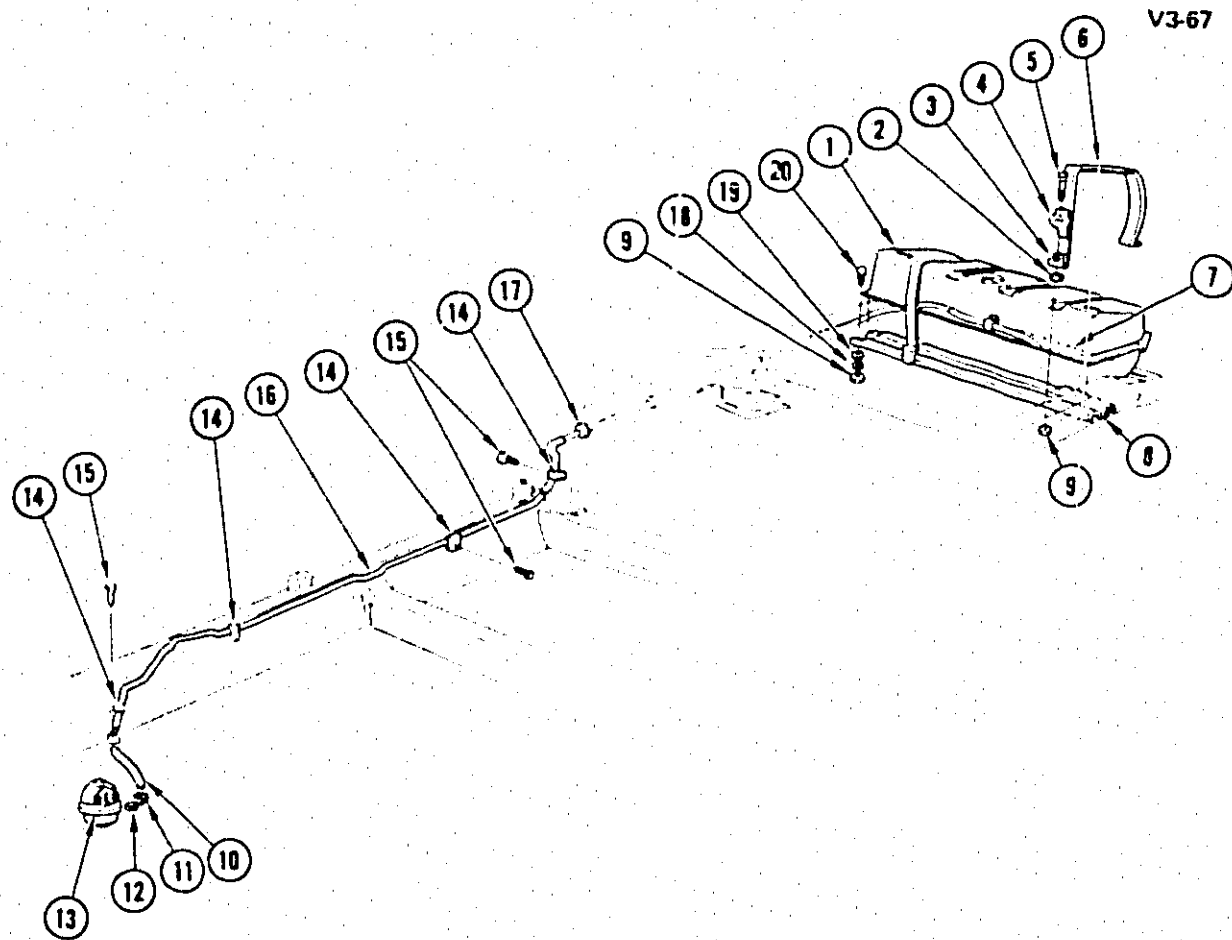
E 7	1. TANK	3.001
E 7	2. STRAP	3.022
	3. BOLT (5/16" x 1 7/8")	8.900
	4. WASHER, Lock (5/16")	8.931
	5. BRACKET	N.S.
	6. RIVET (3/16" x 1/2")	N.S.
E 7	7. CAP	3.028
E 7	8. NECK ASM	3.003
N 10	9. CLAMP (1 1/2" to 2 3/4")	1.166
E 7	10. HOSE (Cut 3 13/16") From 3.003 Hose 1 31/32" ID x 6 1/2" Long	N.S.
	11. REINFORCEMENT	3.023
	12. PIN (5/16" x 2")	N.S.
	13. RIVET (3/16" x 7/16")	N.S.
	14. HOSE (1/8" ID, 5/16" OD x 51 Long)	N.S.
	15. PLUG (1/8")	8.971
	16. CLAMP (1/32")	N.S.
E 7	17. GAUGE	3.107
E 8	18. GASKET	3.112
	19. BOLT (#10-32 x 1/2")	8.906
N 28	20. BUMPER	12.545
N 28	21. DOOR (W/Hinge)	12.945
	22. SCREW (#10-16 x 1/2")	8.977
	23. WASHER, Lock (#10)	8.932
E 7	24. SEAL	3.008
N 28	25. HOUSING	12.945
E 7	26. NECK	3.003
E 7	27. HOSE	3.003
N 28	28. NIPPLE	12.945
	29. SCREW (#8-15 x 5/8")	8.977



V3-48

1963-67 'Y' FUEL TANK

E 7	1. CAP	3.028
	2. NIPPLE	N.S.
	3. HOSE (7/32")	8.962
E 7	4. STRAP	3.022
	5. BOLT (3/8"-16 x 2 7/8")	8.900
	6. ANTI-SQUEAK	N.S.
E 7	7. GUIDE	3.023
	8. NUT (3/8"-16)	8.915
	9. WASHER, Lock (3/8")	8.932
	10. NUT (3/8")	8.921
E 8	11. GASKET	3.112
E 7	12. CAM	3.107
E 7	13. GAUGE	3.107
E 8	14. STRAINER ASM	3.110
E 7	15. SUPPORT	3.015
E 7	16. GASKET	3.008
E 7	17. NECK ASM	3.003
E 8	18. SCREW ASM	3.112
E 7	19. SEAL	3.008
E 7	20. TANK	3.001

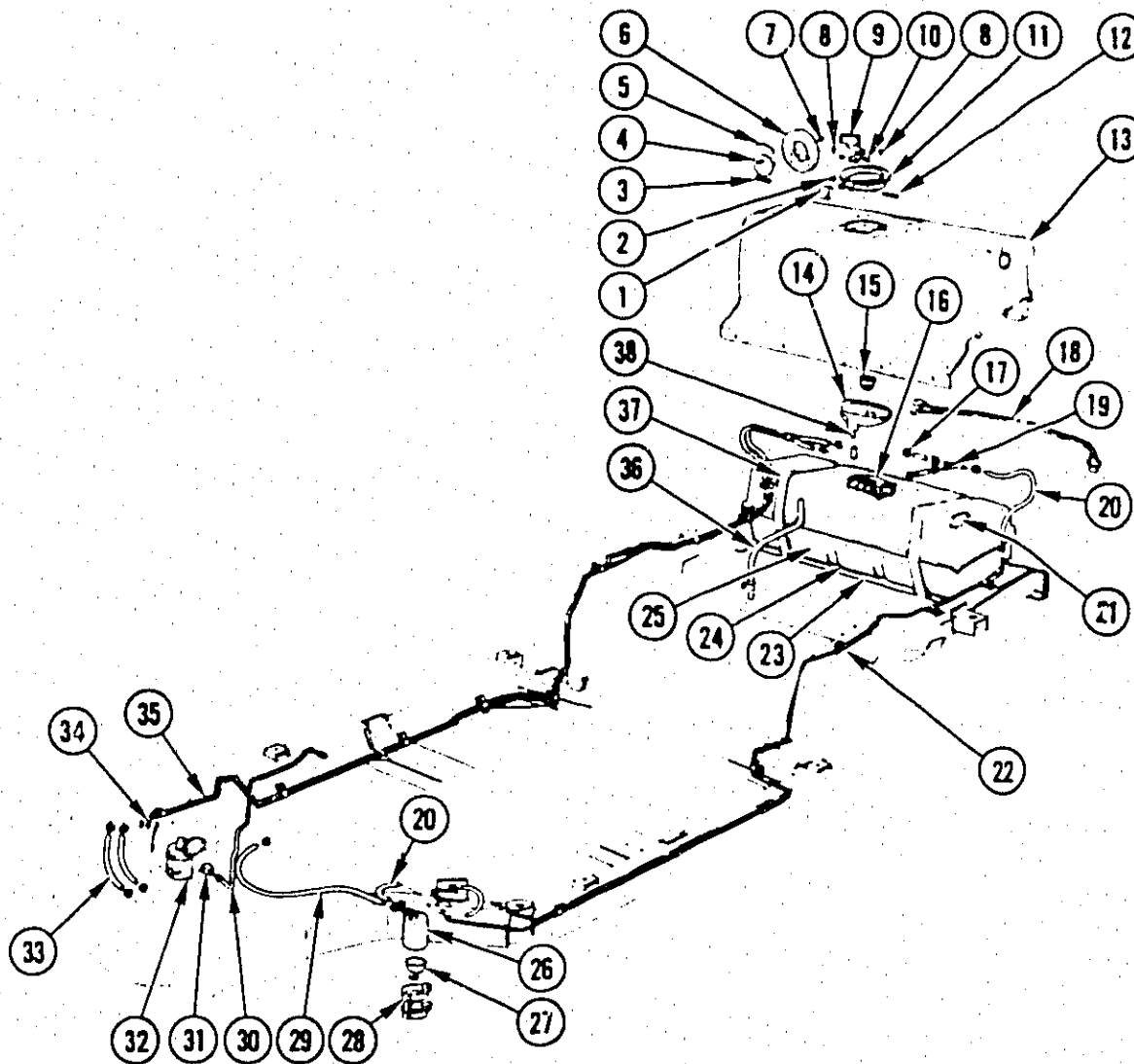


V3-67

V3-67

1963-67 'Y' FUEL SUPPLY SYSTEM

E 7	1. TANK, Fuel	3.001
	2. NUT, Hex (3/8"-16)	8.915
	3. NUT, Push-On (3/8")	8.921
	4. GUIDE, Gas Tank Strap	N.S.
	5. BOLT (3/8"-16 x 2 1/4")	8.900
E 7	6. STRAP	3.022
	7. ANTI-SQUEAK, Fuel Tank	N.S.
	8. SUPPORT, Fuel Tank	N.S.
	9. NUT (3/8"-16)	8.915
	10. HOSE	8.962
	11. CLAMP, Hose	8.948
E 9	12. ELBOW, Gas Feed (1/4"-18 Thds 3/8" ID)	3.163
F 12	13. PUMP, Fuel	3.900
	14. CLIP, Clsd Steel Type 5 Tang	8.950
	15. SCREW (5/16"-18 x 9/16")	8.977
	16. PIPE, Fuel Feed	N.S.
N 27	17. GROMMET (1/8")	9.775
	18. WASHER (3/8")	8.931
	19. WASHER (13/32")	8.929
	20. BOLT, Hex (3/8"-16 x 7/8")	8.900

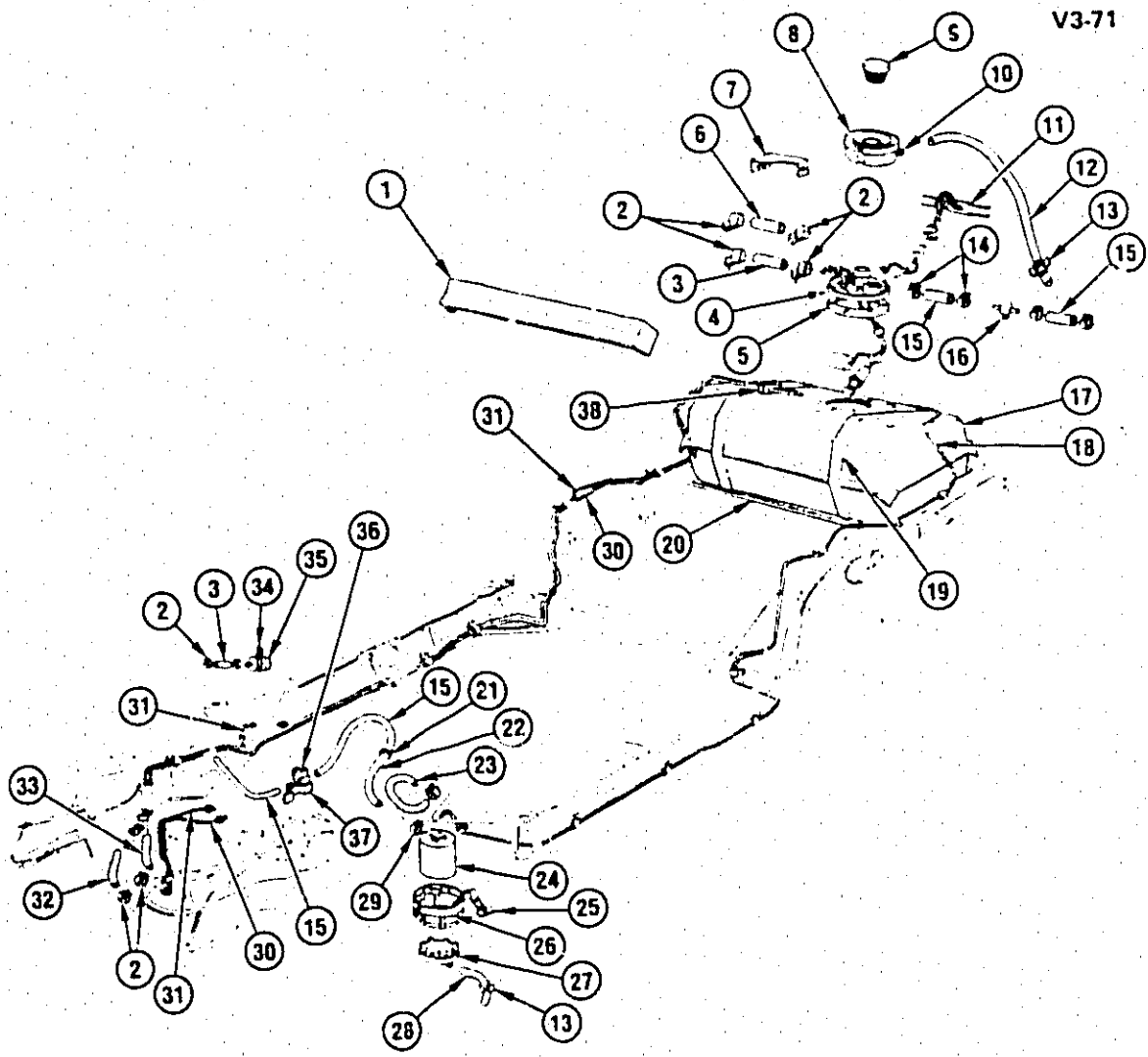


V3-4

1968-81 FUEL SUPPLY SYSTEM

N 28	1. SPRING, Filler Door Hinge	12.945		20. HOSE, Fuel Return Pipe Rear	N.S.
	2. RING (1/8")	8.934	E 7	21. BLADDER ASM, Fuel Tank (1975-77)	3.001
E 7	3. DECAL, Fuel Filler Door	3.028	E 9	22. CLIP, Fuel Feed Pipe	3.162
N 28	4. EMBLEM, Fuel Door	12.945	E 7	23. SUPPORT, Fuel Tank	3.015
	5. DECAL (Serviced by #3)	N.S.	E 7	24. ANTI-SQUEAK, Fuel Tank	N.S.
N 28	6. DOOR, Gas Tk Fil Neck Compt	12.945	E 7	25. TANK ASM, Fuel	3.001
	7. NUT (#10-24)	8.921	E 8	26. CANISTER ASM, Fuel Vapor	3.130
N 28	8. BUMPER, Door	12.945	E 8	27. CAP, Fuel Vapor Canister Drain	3.130
N 28	9. HINGE, Fuel Tank Fil Dr	12.945	E 8	28. SUPPORT ASM, Fuel Vent Canister	3.130
N 28	10. BUSHING, Filler Door Hinge Pin	12.945		29. HOSE (5/16" ID x 40")	8.962
N 28	11. BEZEL ASM, Fuel Tank Filler Door	12.945		30. PIPE ASM, Carb Fuel (Cut from Bulk)	N.S.
E 7	12. PIN, Tank to Fill Door	12.945		31. ELBOW (90°, .375)	8.963
E 7	13. COVER, Fuel Tank (1975-77)	3.015	F 12	32. PUMP ASM, Fuel	3.900
E 7	14. SEAL, Fuel Tank Filler Neck	3.008		33. HOSE, Fuel Feed	N.S.
E 7	15. CAP ASM, Fuel Tank	3.028		34. PIPE, Fuel Feed (Cut from Bulk)	N.S.
E 7	16. METER, W/Fil Nk & Mtg Plt	3.107		35. PIPE, Fuel Feed	N.S.
N 10	17. CLAMP, Miniature Worm Drive Type	1.166		36. HOSE, Fuel Tank Filler Neck Drain	N.S.
	18. WIRE ASM	N.S.	E 7	37. STRAP, Fuel Tank	3.022
N 27	19. TEE, Fuel Vapor Pipe Hose	9.281	E 7	38. NIPPLE, Filler Neck Drain Hose	3.003

NOTE: Items #17,19,20 & 26-29 were used beginning in 1970.



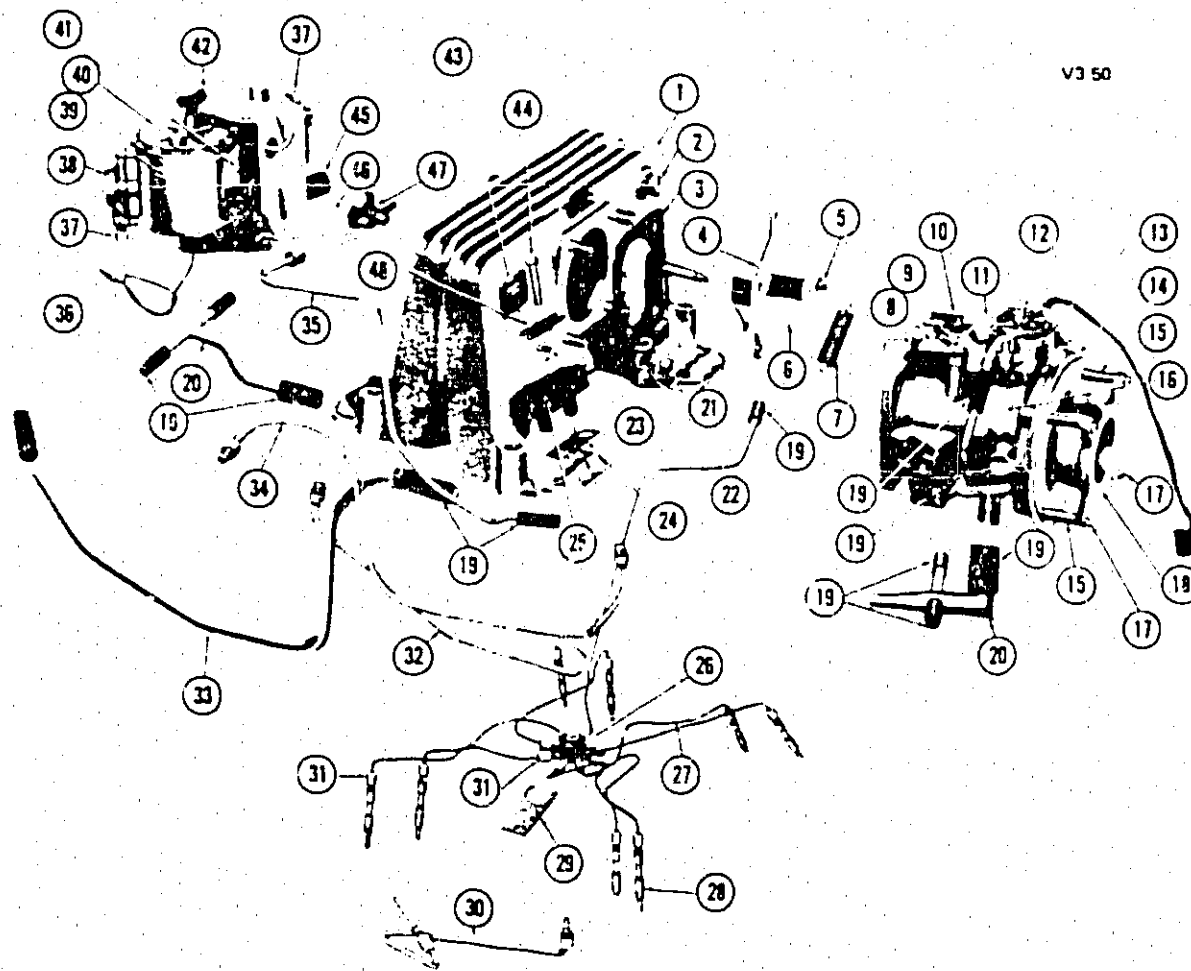
V3-71

1982 'Y' FUEL SUPPLY & EVAPORATIVE SYSTEM

1982 'Y' FUEL SUPPLY & EVAPORATIVE SYSTEM

E 7	1.	3.022	INSULATOR, F/Thk	14016156
N 10	2.	1.156	CLAMP, Worm Type (1/2" to 1")	1470029
	3.	8.962	HOSE, Fuel & Oil Bulk (3/8" ID)	
E 7	4.	3.107	METER, Fuel (Tank Unit)	25003153
F 12		3.900	PUMP, Fuel (In Tank)	6471925
E 8		3.110	FILTER, Fuel (In Tank)	25055033
E 7	5.	3.008	GASKET, Fuel Tank Filler Neck	457997
	6.	8.962	HOSE, Fuel & Oil Bulk (5/16" ID)	
E 9	7.	3.162	RETAINER, Fuel Hose	14033712
E 7	8.	3.008	SEAL, Fuel Tank Filler Neck	459068
E 7	9.	3.028	CAP, Fuel Tank	22518911
E 7	10.	3.003	NIPPLE, Gas Tank Neck Drain Hose	3849610
N 28	11.	13.090	HARNES, Body Wiring	12016413
	12.	8.962	HOSE, Fuel Drain Bulk (7/16" ID)	
E 7	13.	3.003	CLIP, Fuel Tank Fil Nk Drain Hose (2.559)	3943626
	14.	8.948	CLAMP, Hex Hd Worm Gear (1/4" to 5/8")	
	15.	8.962	HOSE, Fuel & Oil Evap Bulk (1/4" ID)	
E 23	16.	3.680	FITTING, Fuel Vapor Pipe Hose(1)	474793
E 7	17.	3.001	TANK, Fuel	457999
	18.	8.964	TUBING, Steel Bulk (1/4" OD)	
E 7	19.	3.022	STRAP, Fuel Tank	457993
E 7	20.	3.015	SUPPORT, Fuel Tank	14011298
	21.	N.S.	CONNECTOR, Fuel Tank Vpr Cnstr Purge Hose	
	22.	8.962	HOSE, Fuel Oil & Evap Bulk (3/8" ID)	
	23.	8.962	HOSE, Fuel Oil Evap Bulk (5/16" ID)	
E 8	24.	3.130	CANISTER, Fuel Vapor	17075825
E 8	25.	3.130	SUPPORT, Fuel Vapor Canister	14016198
E 8	26.	3.130	RETAINER, Fuel Vapor Canister	14016199
E 8	27.	3.130	CAP, Fuel Vapor Canister Drain	7028046
	28.	8.962	HOSE, Fuel & Evap Bulk (7/16" ID)	
N 10	29.	1.166	CLAMP, Hose (Spring Band)(Yellow)(9/16")	3786275
	30.	8.964	TUBING, Fuel Return Bulk (5/16" OD)	
	31.	8.964	TUBING, Fuel Feed Bulk (3/8" OD)	
E 9	32.	3.163	HOSE, Fuel Feed Frt	14033710
E 9	33.	3.163	HOSE, Fuel Return Frt	14033711
F 12	34.	3.890	BRACKET, Fuel Filter	14047793
F 12	35.	3.890	FILTER, Fuel	25055066
E 9	36.	3.140	SOLENOID, Fuel Vapor Canister Purge	1997599
E 9	37.	3.140	BRACKET, Fuel Vapor Cnstr Purge Sol	14043227
E 9	38.	3.163	SPACER, Fuel Feed & Rtn Pipe	459039

NOTE 1: Threads must be covered with Teflon tape.



V3 50

V3-50

1957-62 FUEL INJECTION

E 9	1. MANIFOLD	3.265	E 12	25. HOLDER	3.332
	2. PLUG (1/4")	8.971	E 12	26. DISTRIBUTOR	3.330
E 12	3. GASKET	3.335	E 12	27. LINE KIT	3.330
E 15	4. LEVER	3.454	E 12	28. NOZZLE	3.332
	5. NUT (# 10-32)	8.915	E 12	29. BRACKET	3.330
E 15	6. ROD	3.430	E 12	30. TUBE	3.330
E 16	7. SPRING	3.459	E 12	31. NUT	3.330
F 6	8. CAM	3.766	E 12	32. PIPE ASM, Fuel, Enrichment Vacuum	3.330
F 7	9. SCREW	3.767	E 12	33. TUBE, Control Diaphragm	3.330
E 12	10. SWITCH	3.314	E 12	34. PIPE ASM, Auxiliary Vacuum	3.330
F 7	11. LINK	3.768	E 12	35. PIPE ASM, Main Venturi Vacuum	3.330
F 3	12. COVER ASM, Enrichment	3.750	E 12	36. PIPE ASM, Starting Pass	3.330
F 3	13. HOUSING, Enrichment	3.750	E 12	37. CONNECTOR	8.963
E 12	14. RING	3.335	E 12	38. COVER	3.320
E 12	15. SPACER	3.335	E 17	39. SHIELD	3.602
E 12	16. BODY ASM	3.335		40. COVER (Part of METER ASM 3-310)	N.S.
E 12	17. SCREW	3.335	E 12	41. FUEL METER	3.310
E 12	18. CONE	3.335	E 12	42. RESTRICTION, W/Tee	3.330
E 12	19. HOSE	3.330		43. PLATE (Designates Injection Unit and Serial Number)	N.S.
E 12	20. TUBE	3.330	E 12	44. SCREW (1/4"-20 x 1 1/4")	3.332
	21. NUT (5/16"-24)	8.915	E 12	45. PUMP	3.308
	22. WASHER, Lock (5/16")	8.931	E 12	46. BRACKET	3.312
	23. WASHER, Lock (1/4")	8.932	F 6	47. VALVE	3.766
E 12	24. GASKET	3.332	E 12	48. CLAMP	3.332

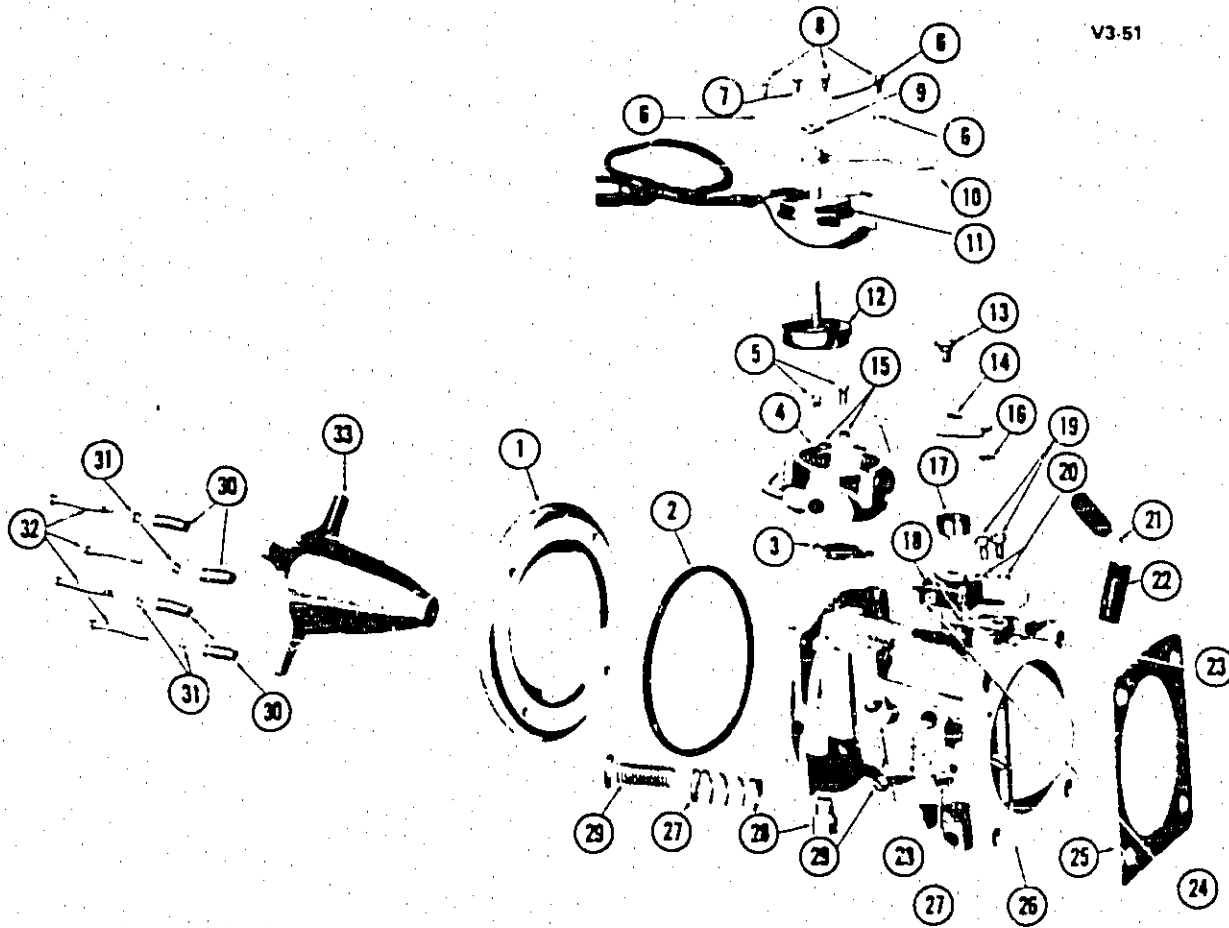
WAREHOUSING AND DISTRIBUTION DIVISION OF GENERAL MOTORS CORPORATION—CHEVROLET—14A

(12-83)

I-14

3.000-GROUP

V3-51

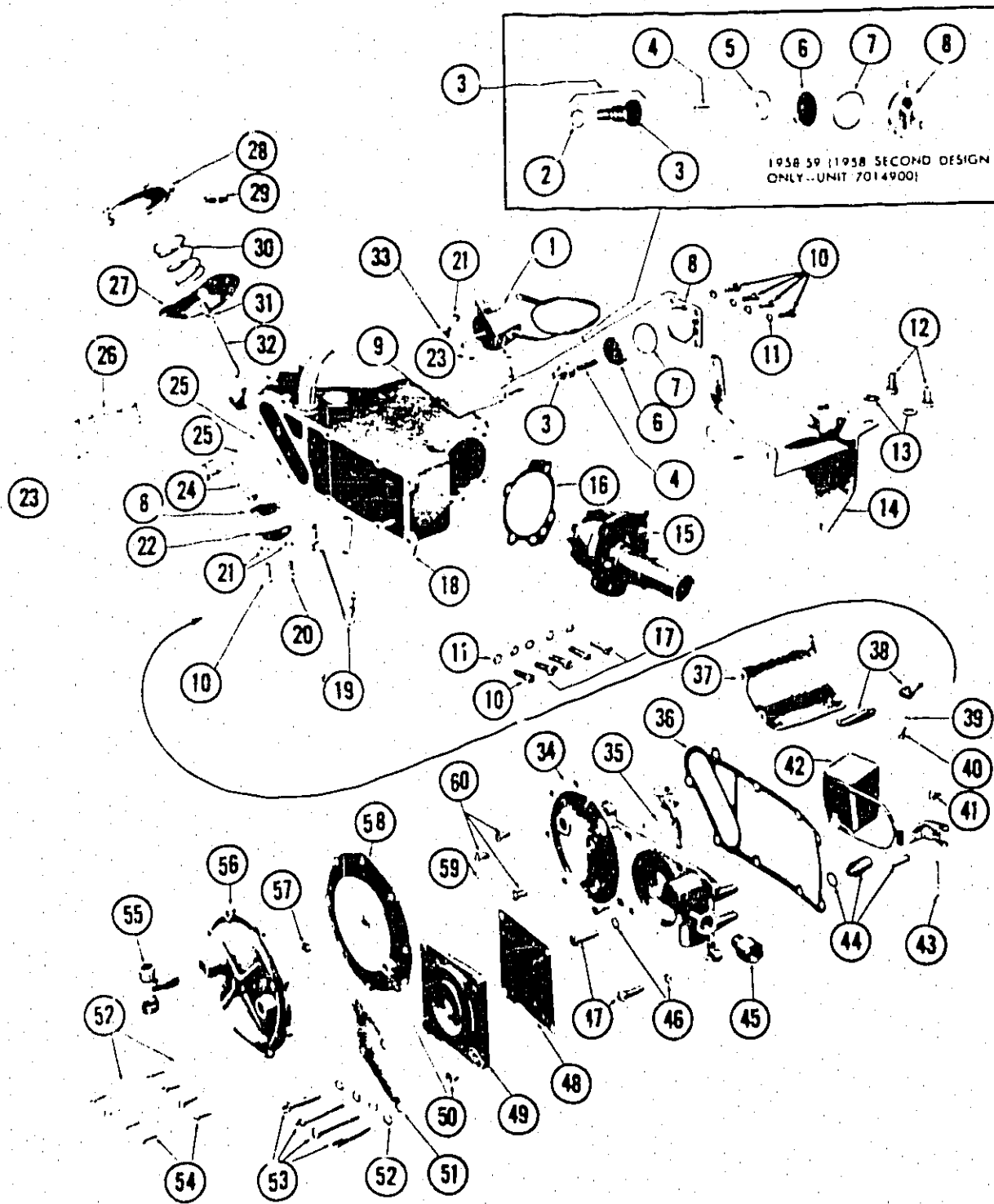


V3-51

1957-62 FUEL INJECTION AIR METER

E 12	1. RING	3.335	F 7	17. SPRING	3.767
E 12	2. GASKET	3.335	E 12	18. SWITCH	3.314
F 3	3. GASKET	3.750	E 12	19. SCREW (#4-48 x 5/8")	3.314
F 3	4. HOUSING	3.750		20. WASHER, Lock (5/8")	8.931
F 3	5. SCREW (#8-32 x 9/16")	3.750		21. TUBE	8.964
F 3	6. RETAINER	3.750	E 12	22. HOSE	3.330
F 6	7. SCREW	3.766	E 12	23. SCREW (#10-32 x 3/8")	3.314
F 4	8. SCREW (#8-32 x 1/4")	8.907	E 12	24. BRACKET	3.314
F 7	9. LEVER	3.752	E 12	25. GASKET	3.335
F 7	10. LINK	3.768	E 12	26. BODY ASM	3.335
F 3	11. COVER ASM	3.750	F 9	27. SPRING	3.823
F 7	12. COIL (Part of 3.750 COVER ASM)	N.S.		28. FITTING	8.963
F 6	13. SCREW	3.767	F 9	29. SCREW	3.822
F 6	14. CAM	3.766	E 12	30. SPACER	3.335
F 4	15. WASHER, Lock (#8)	8.931	E 12	31. WASHER, Lock (#10)	8.931
F 4	16. CLIP	3.752	E 12	32. SCREW (#10-32 x 2")	3.335
			E 12	33. CONE	3.335

V3-52

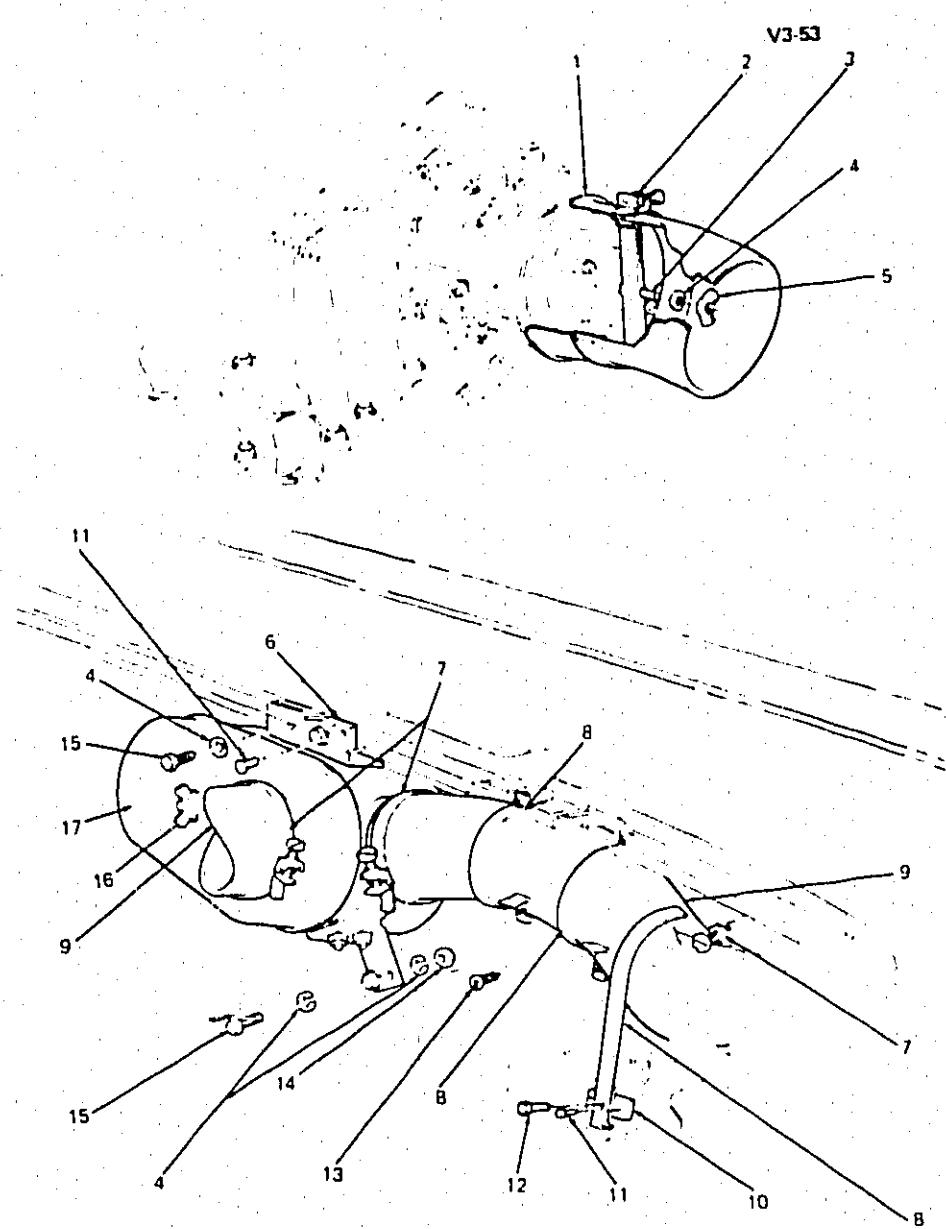


V3-52

1957-62 FUEL INJECTION FUEL METER

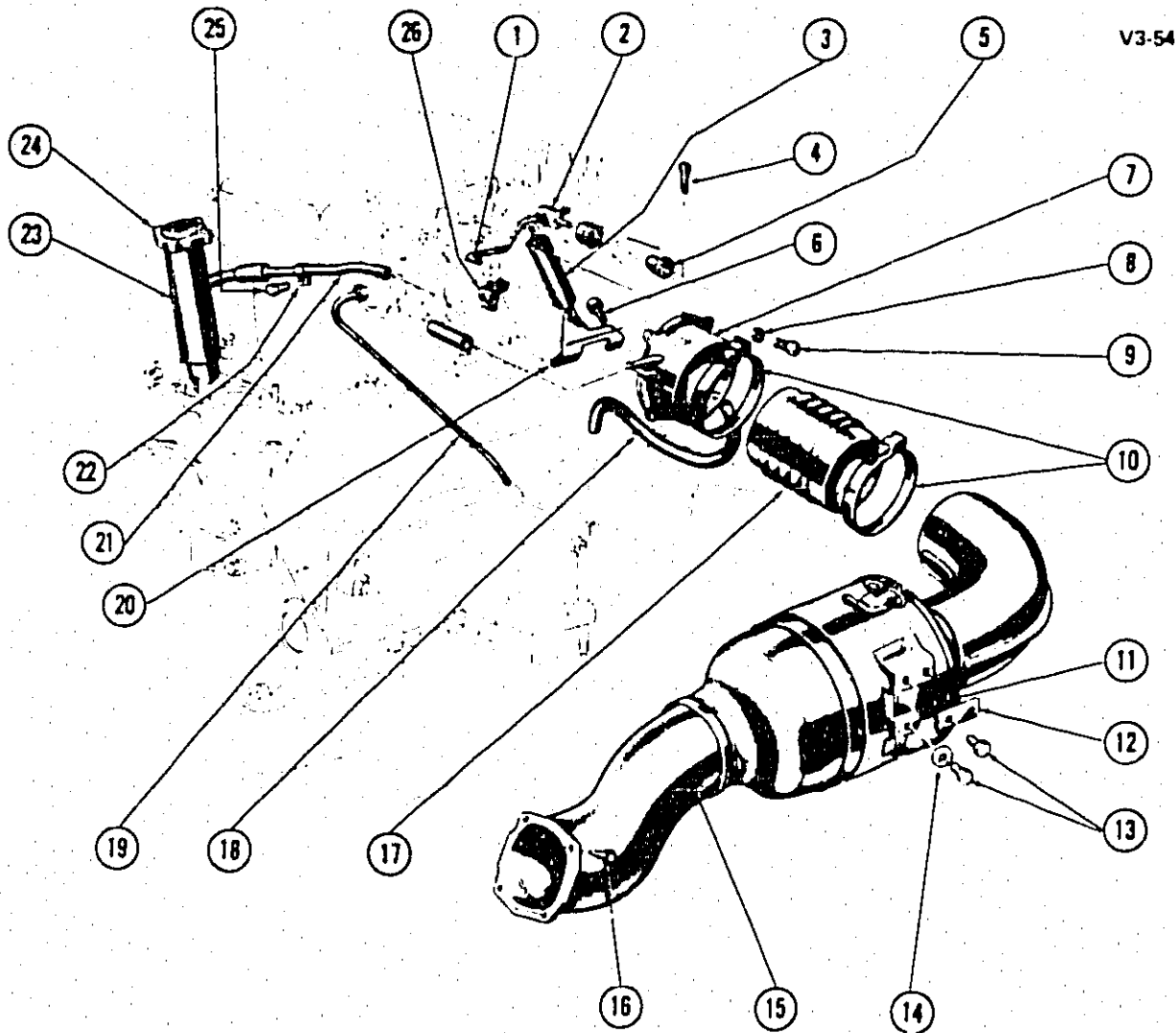
1957-62 FUEL INJECTION FUEL METER

E 12	1. SOLENOID ASM	3.314
E 12	2. "O" RING	3.322
	3. Part of 3.322 FUEL VALVE KIT	N.S.
E 12	4. SPRING	3.322
E 12	5. STOP	3.322
E 12	6. SCREEN	3.322
E 12	7. SEAL	3.322
E 12	8. COVER	3.322
	9. PLUNGER (Part of 3.312 BODY ASM)	N.S.
	10. SCREW (#10-32 x 1/2")	8.907
	11. WASHER, Lock (3/8")	8.931
	12. SCREW (1/4"-28 x 1/2")	8.907
	13. WASHER, Lock (1/4")	8.931
E 12	14. BRACKET	3.312
E 12	15. PUMP ASM	3.308
E 12	16. GASKET	3.308
	17. SCREW (#10-32 x 5/8")	8.907
	18. Part of 3.310 METER ASM	N.S.
E 12	19. PIPE ASM, Starting By-Pass	3.330
	20. SCREW (#10-32 x 3/8")	8.907
	21. WASHER, Lock (#8)	8.931
E 12	22. GASKET	3.322
	23. WASHER (3/8")	8.929
E 15	24. LEVER	3.454
	25. NUT	N.S.
	26. SCREW (#10-32 x 1/2")	8.907
E 12	27. DIAPHRAGM ASM	3.320
E 12	28. COVER	3.320
	29. CONNECTOR (3/16")	8.963
E 12	30. SPRING	3.320
	31. NUT (#6-32)	8.916
E 12	32. ROD	3.320
	33. SCREW (#8-32 x 3/8")	8.907
F 2	34. COVER	3.737
E 12	35. LINK ASM	3.320
F 2	36. GASKET	3.738
E 17	37. SHIELD	3.602
E 12	38. LEVER	3.320
	39. WASHER, Lock (#6)	8.931
	40. SCREW (Part of 3.320 LEVER)	N.S.
F 2	41. SCREW	3.740
F 3	42. FLOAT ASM	3.745
F 3	43. PIN	3.747
F 8	44. NEEDLE ASM	3.814
	45. CONNECTOR (5/16")	8.963
	46. WASHER, Lock (5/8")	8.931
E 12	47. SCREW	3.314
E 12	48. SCREEN	3.328
E 12	49. COVER	3.328
E 12	50. SPACER	3.312
E 12	51. PLATE	3.328
	52. WASHER (1/2")	8.929
	53. SCREW (#32 x 1/2")	8.907
	54. SCREW (#32 x 3/8")	8.907
E 12	55. RESTRICTION	3.330
E 12	56. COVER	3.318
E 12	57. NUT	3.318
E 12	58. DIAPHRAGM ASM	3.318
E 12	59. GROMMET	3.318
F 2	60. SCREW	3.737



1961-62 FUEL INJECTION AIR CLEANER

E 14	1. ADAPTER	3.417	E 14	9. HOSE	3.417
	2. CLAMP	8.948		10. NUT	8.317
E 13	3. STUD	3.403		11. RIVET (3/16" x 7/16")	N.S.
	4. WASHER, Lock (1/4")	8.931		12. BOLT (1/4"-20 x 1/2")	8.900
E 13	5. NUT	3.403		13. SCREW PAN HD. (#8-15 x 1/2")	N.S.
	6. PLATE ASM	N.S.		14. NUT	8.915
	7. CLAMP	8.948		15. BOLT	8.900
E 14	8. BRACKET	3.417	E 13	16. NUT	3.403
			E 13	17. CLEANER	3.402

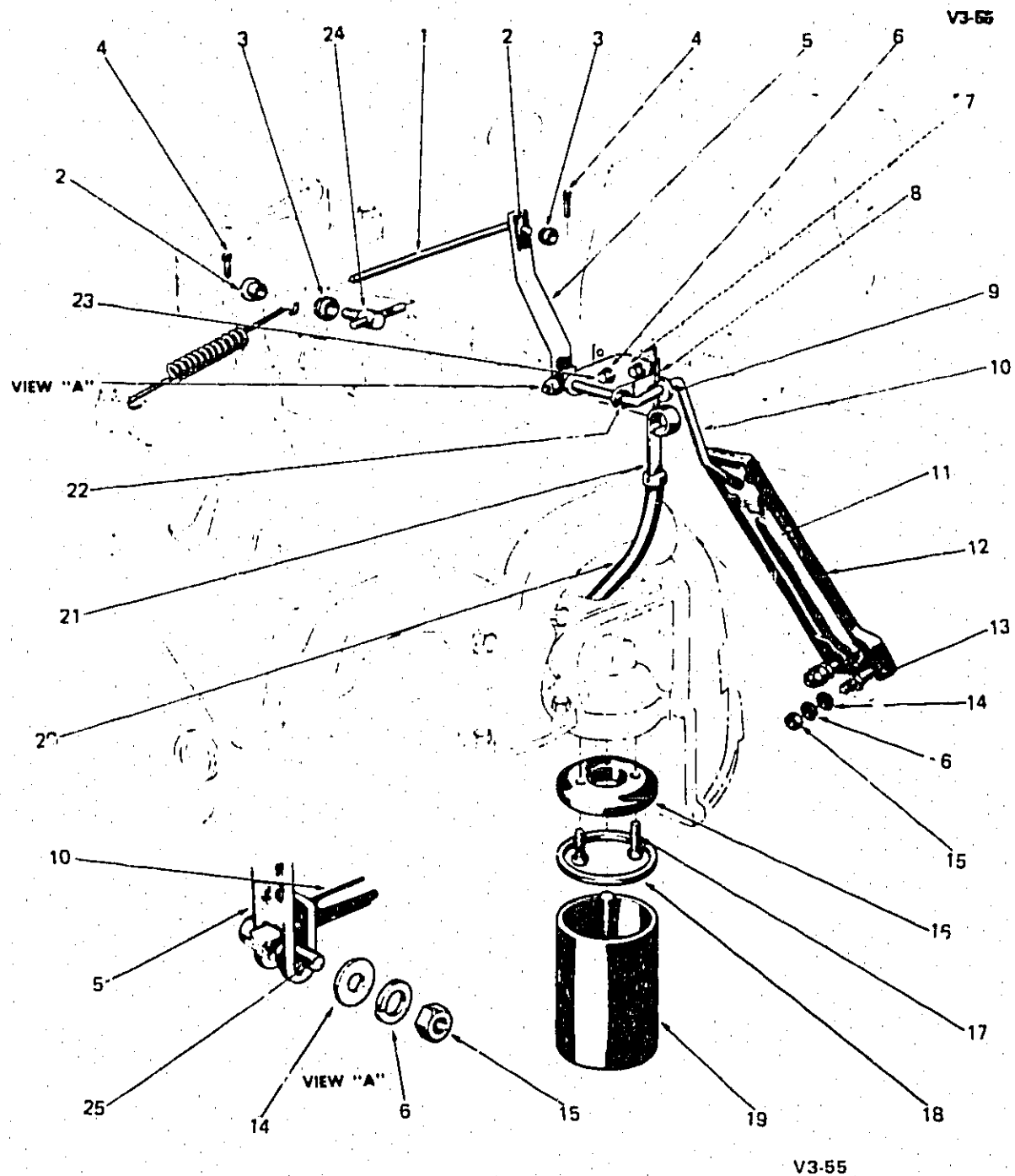


V3-54

V3-54

1963-65 'Y' FUEL INJECTION AIR CLEANER

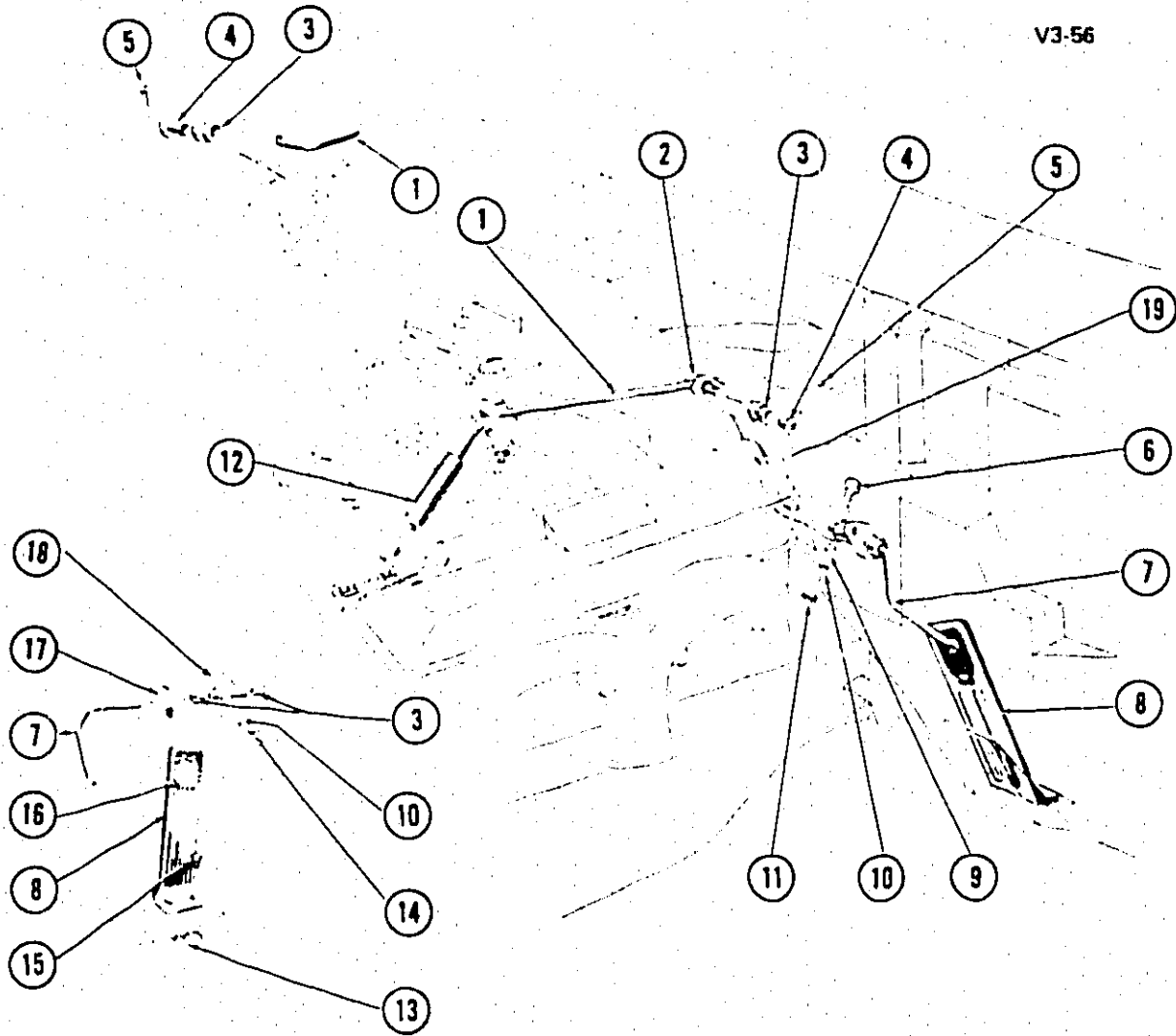
E 15	1. ROD	3 130	N 26	14. WASHER (9/32")	8.143
E 14	2. SWIVEL	3 425	E 14	15. TUBE ASM	3.417
E 16	3. SPRING	2 459	E 14	16. SCREW (#10-16 x 1/2")	8.977
E 14	4. PIN	8 938	E 14	17. HOSE	3.417
E 14	5. SLEEVE	3.425	E 14	18. HOSE (7/32" x 4 1/4")	N.S.
E 12	6. BOLT	N.S.	E 16	19. TUBING (1/4")	8.964
E 12	7. ADAPTER	3.335	E 16	20. BRACKET	3.459
E 12	8. WASHER, Lock (#10)	8.931	E 16	21. TUBING	8.964
E 12	9. SCREW (#10-32 x 5/8")	8.913	E 16	22. CLIP	N.S.
N 10	10. CLAMP	1.166	N 13	23. TUBE ASM	1.745
E 13	11. CLEANER	3.402	N 14	24. CAP ASM	1.758
E 13	12. REINFORCEMENT	N.S.	N 14	25. SCREW (1/4"-14 x 5/8")	8.977
E 13	13. BOLT (1/4"-20 x 5/8")	8.900	E 14	26. CLIP	3.425



1958 'Y' ACCELERATOR CONTROLS

E 15	1. ROD	3.430	E 15	13. STUD	3.452
E 14	2. SLEEVE	3.425	E 14	14. WASHER (1/4")	8.929
E 14	3. BUSHING	3.425	E 14	15. NUT (1/4"-20)	8.916
E 15	4. COTTER PIN (3/32" x 1")	8.938	N 15	16. VALVE ASM	1.837
E 15	5. LEVER	3.454	N 15	17. BOLT (1/4"-20 x 1 1/4")	8.900
E 15	6. WASHER, Lock (1/4")	8.931	N 15	18. GASKET	1.844
E 15	7. SUPPORT	3.452	N 15	19. ELEMENT	1.836
E 15	8. REINFORCEMENT	3.452	N 12	20. TUBE	1.516
E 16	9. SEAL	3.469	N 12	21. GAUGE	1.516
E 15	10. ROD	3.431	N 12	22. WASHER	3.456
E 15	11. ANTI-SQUEAK	3.451	E 14	23. BOLT (1/4"-10 x 5/8")	8.900
E 15	12. PEDAL	3.451	E 14	24. SWIVEL	3.425
				25. BOLT (1/4"-20 x 1 1/8")	8.900

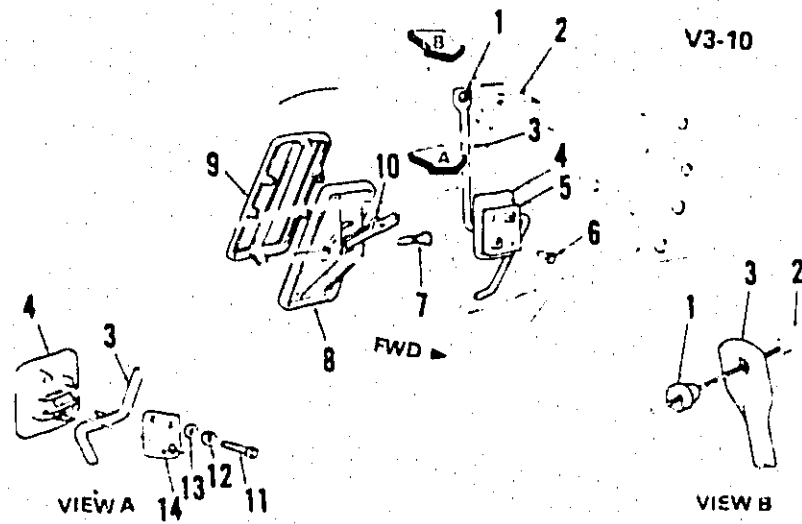
V3-56



V3-56

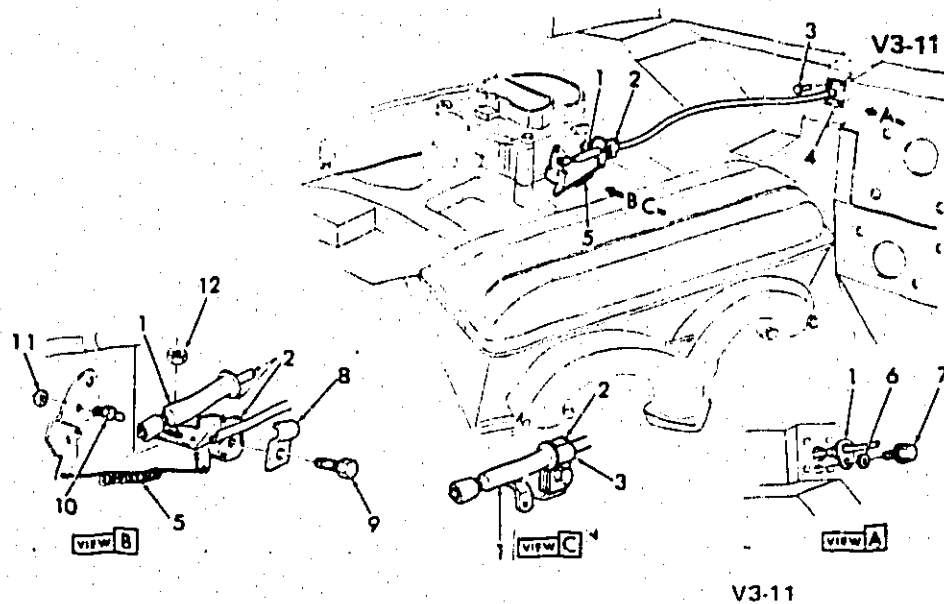
1963-67 'Y' ACCELERATOR CONTROLS

E 15	1. ROD	3.430
E 14	2. SWIVEL	3.425
E 14	3. BUSHING	3.425
E 14	4. SLEEVE	3.425
	5. PIN (3/32" x 3/4")	8.936
	6. BOLT (1/4"-20 x 1 1/8")	N.S.
E 15	7. ROD	3.431
E 15	8. PEDAL ASM	3.451
	9. WASHER (1/4")	8.929
	10. WASHER, Lock (1/4")	8.931
	11. NUT (1/4"-20)	8.916
E 16	12. SPRING	3.459
E 15	13. NUT	3.452
	14. BOLT	8.900
	15. SCREW (1/4"-20 x 5/8")	8.906
E 15	16. ANTI-SQUEAK	3.451
E 15	17. PLATE ASM	3.452
E 15	18. SUPPORT ASM	3.452
E 15	19. LEVER	3.454



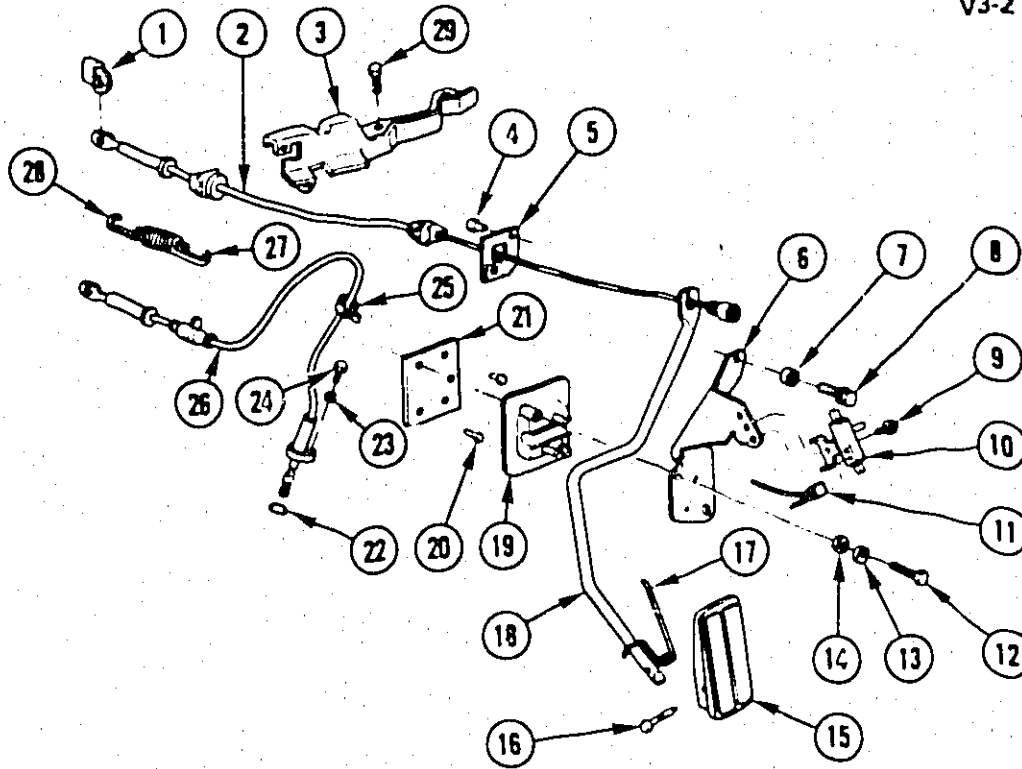
1969-72 'Y' ACCELERATOR PEDAL, ROD AND BRACKET

E 14	1. RETAINER, Cable to Accel Pedal Lever	3.425	E 15	8. PEDAL, Accel	3.451
E 15	2. CABLE ASM, Accel Control	3.430	E 15	9. PLATE, Pedal Trim	3.451
E 15	3. ROD ASM, Accel Pedal	3.431	E 16	10. SPRING, Accel Pull Back	3.459
E 15	4. SUPPORT, Rod	3.452		11. BOLT (1/4"-20 x 1 3/4")	8.900
E 15	5. PLATE ASM, Accel Pedal Mtg	3.451		12. WASHER, Lock (1/4")	8.931
E 15	6. RIVET	8.967		13. WASHER	8.929
E 15	7. PIN, Accel Pedal	3.452	E 15	14. COVER, Pedal Support	3.451



1968-72 'Y' ACCELERATOR CONTROL CABLE

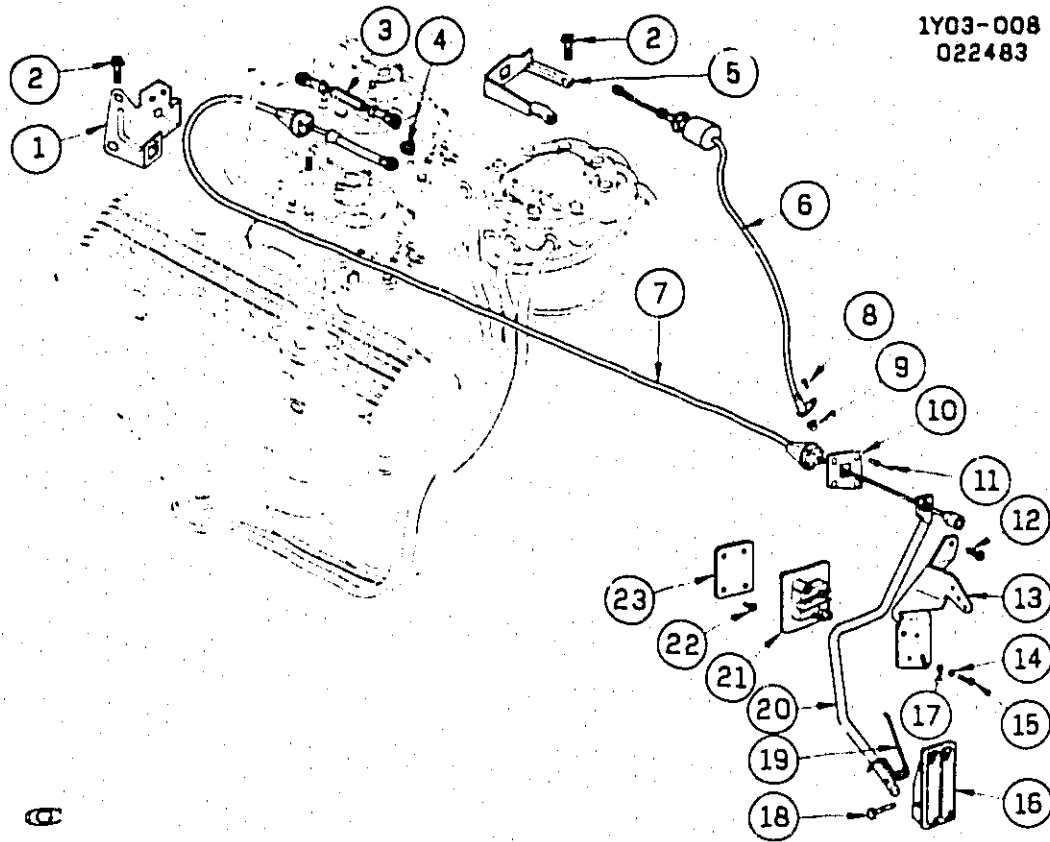
E 15	1. CABLE ASM, Accel Control	3.430		7. BOLT (1/4"-20 x 7/8")	8.900
E 15	2. BRACKET, Accel Control Cable	3.454		WASHER (#10)	8.932
E 15	3. RIVET	8.967	E 14	8. CLAMP, Accel Control Cable	3.425
E 15	4. PLATE, Pedal Rod Support Mtg	3.451		9. BOLT (1/4"-20 x 1/2")	8.900
E 16	5. SPRING, Accel Pull Back (Block)	3.459	E 15	10. STUD, Accel Pedal	3.452
	6. WASHER	8.929		11. NUT (1/4"-20)	8.915
				12. NUT (5/16"-24)	8.915



V3-2

1973-81 'Y' ACCELERATOR CONTROLS

E 14	1. RETAINER, Accel Cont Cable	3.425
E 15	2. CABLE ASM, Accel Control	3.430
E 15	3. SUPPORT ASM, Accel Cont Cable	3.454
	4. RIVET, Accel Pedal Rod Supt Mtg Plate	N.S.
E 15	5. PLATE ASM, Accel Rod Supt Mtg	3.451
N 21	6. BRACKET, Accel Pedal Rod	4.060
	7. WASHER (9/32" x 5/8" x 1/16")	8.929
	8. PLATE, Accel Pedal Rod Brkt (1/4"-20 x 13/16")	N.S.
	9. SCREW (1/4"-14 x 1/2")	N.S.
N 21	10. SWITCH ASM, Trans Throttle Control	4.057
	11. WIRE ASM, Trans Control Switch Jpr (Make from 14 ga Wire)	N.S.
	12. BOLT, Accel Pedal Rod Supt (1/4"-20 x 1 5/8")	N.S.
	13. WASHER (1/4")	8.931
	14. WASHER (9/32" x 5/8" x 1/16")	8.929
E 15	15. PEDAL, Accelerator	3.451
E 15	16. PIN, Accel Pedal	3.452
E 16	17. SPRING, Accel Pedal Pull Back	3.459
E 15	18. ROD ASM, Accel Pedal	3.431
E 15	19. SUPPORT, Rod	3.452
	20. RIVET, Support Rod	N.S.
E 15	21. PLATE ASM, Accel Pedal Mtg	3.451
N 21	22. SEAL, Ring Detent Control Cable	4.047
	23. WASHER, Flat (1/4")	N.S.
	24. BOLT (1/4"-20 x 5/8")	8.900
	25. CLAMP, Trans Detent Cont Cable	N.S.
N 21	26. CABLE ASM, Trans Detent Control	4.050
E 16	27. SPRING, Accel Pull Back Inner	3.459
E 16	28. SPRING, Accel Pull Back Outer	3.459
	29. BOLT (5/16"-18 x 3 3/4")	8.900

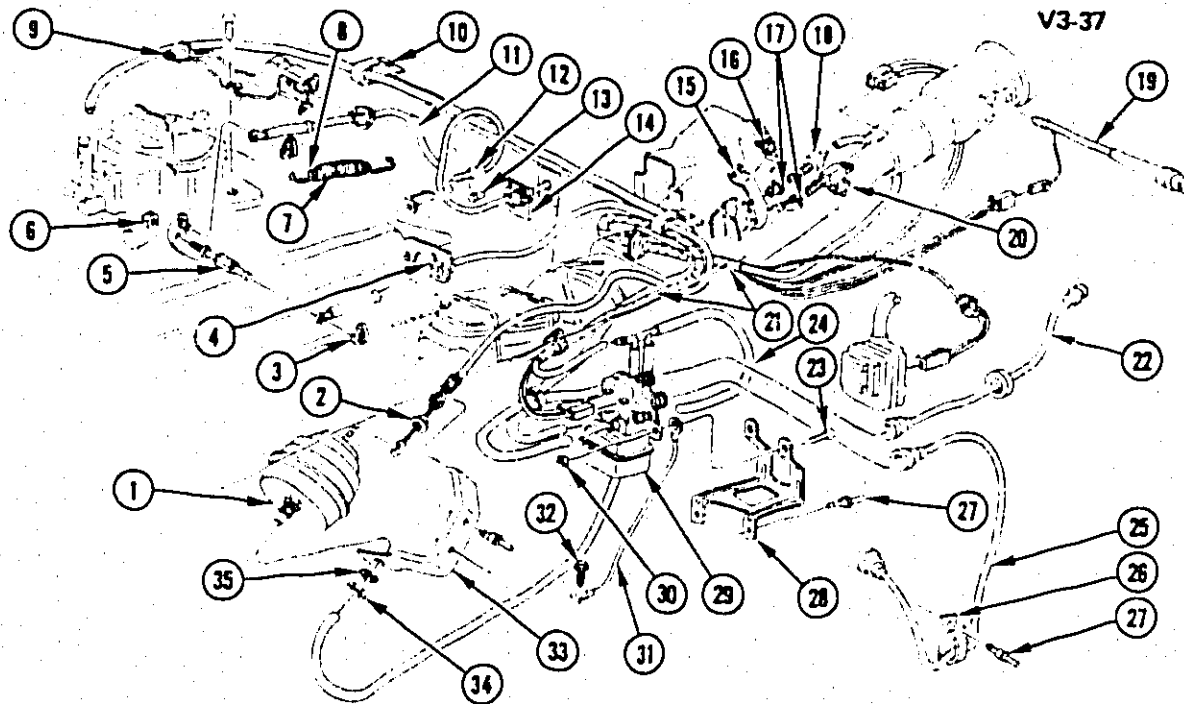


1Y03-008
022483

1Y03.008

1982 'Y' ACCELERATOR CONTROLS

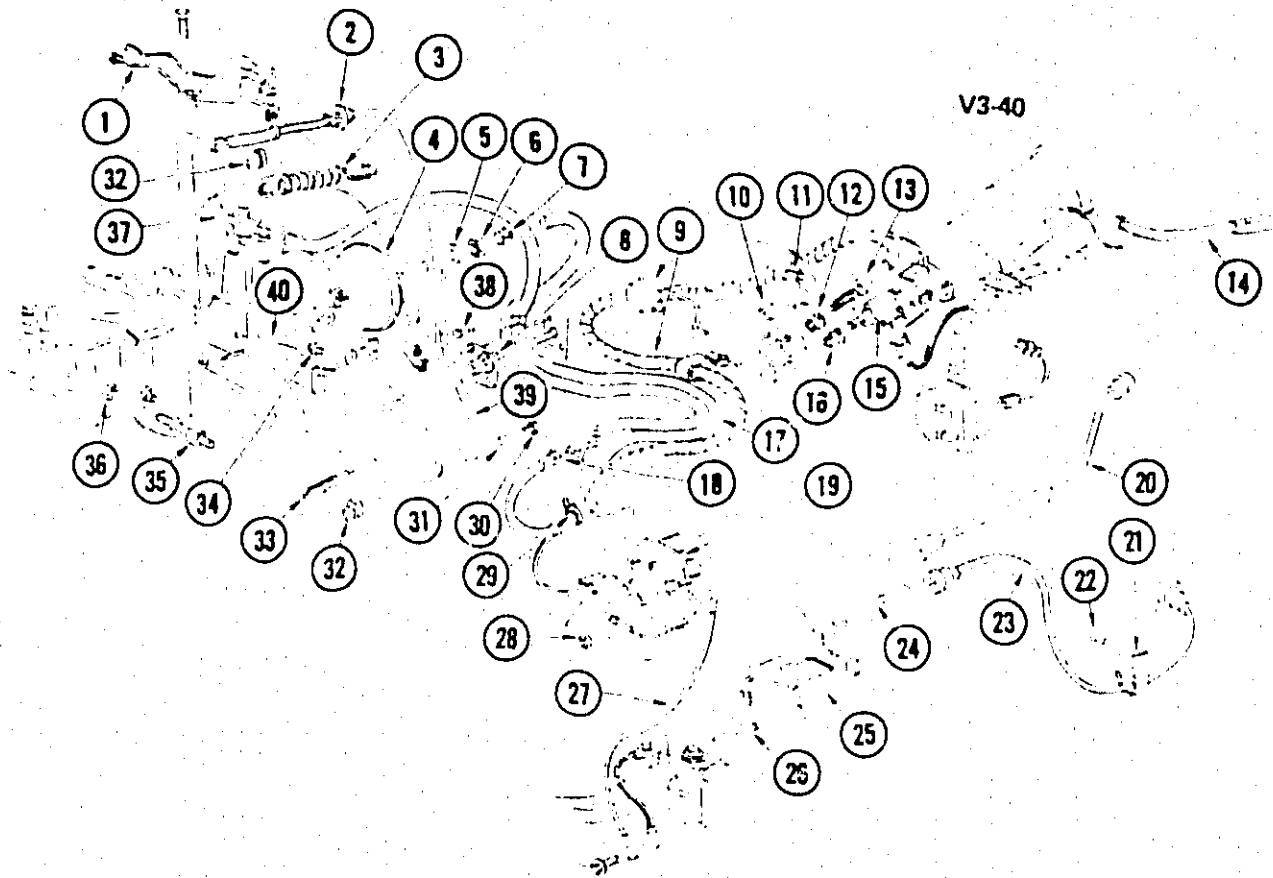
E 15	1.	3.454	SUPPORT, Accel Cont Cbl	14038659
	2.	8.900	BOLT, Hex Flg Hd (5/16"-18 x 7/8")	9439920
E 16	3.	3.463	ROD KIT, Throttle, W/Bearing	1247872
E 14	4.	3.425	RETAINER, 5/32" Cbl Spr Stil	14038660
N 21	5.	4.047	BRACKET, Trans T.V. Cont Cbl	25515601
N 21	6.	4.050	CABLE, Trans T.V. Cont	14038657
E 15	7.	3.420	CABLE, Accel Cont	
	8.	8.900	BOLT, Hex W/Con Wa (M 6 x 1 x 20)	
N 21	9.	4.050	SEAL, Trans T.V. Cont Cbl Multi-Lip	1262476
E 15	10.	3.451	PLATE, Accel Pedal Rod Supt Mtg	354675
	11.	N.S.	RIVET	
	12.	8.977	SCREW, Hex Wa Hd (1/4"-20 x 7/8")	
		8.931	WASHER, Spr Lk (17/64" ID 1/2" OD)	460826
E 15	13.	3.454	BRACKET, Accel Pedal Lvr	
	14.	8.929	WASHER, Fl (9/32" ID 5/8" OD 1/16" Thk)	
	15.	8.900	BOLT, Hex Hd (1/4"-20 x 1 3/4")	368079
E 15	16.	3.451	PEDAL, Accel	
	17.	8.931	WASHER, Spr Lk (17/64" ID 1/2" OD)	368078
E 15	18.	3.452	PIN, Accel	368077
E 16	19.	3.459	SPRING, Accel Pedal	460827
E 15	20.	3.431	ROD, Accel Pedal	3972620
E 15	21.	3.454	SUPPORT, Accel Pedal Rod	
	22.	N.S.	RIVET, Lrg Dome Hd (3/16" x 7/16")	3919767
E 15	23.	3.451	PLATE, Accel Pedal Mtg	



V3-37

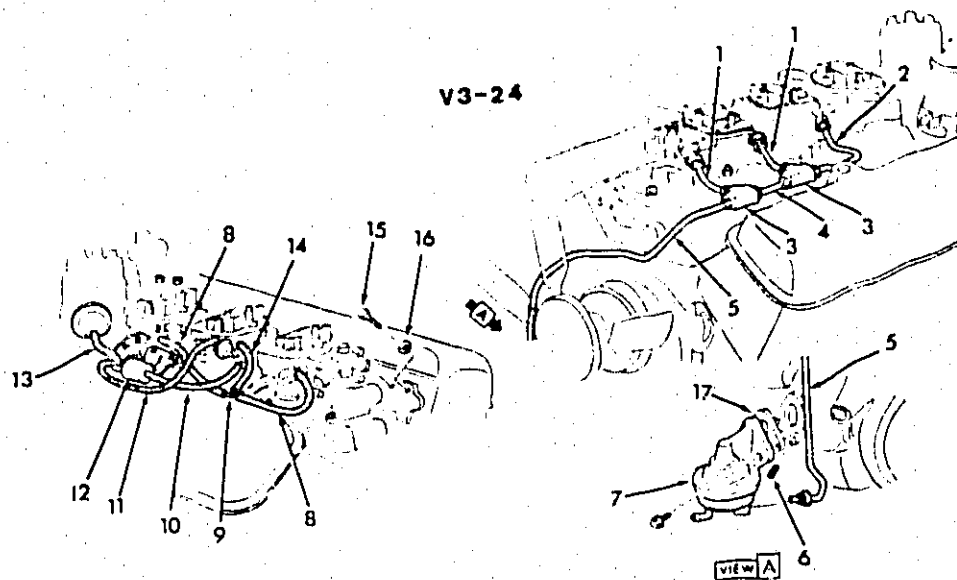
1977-78 'Y' CRUISE CONTROL

F 12	1. SERVO, Cruise Control	3.887	F 12	19. LEVER, W/Switch Whl Pos & Cruise Cont Actr	3.887
F 11	2. CABLE ASM, Cruise Control	3.880	N 18	20. SWITCH ASM	2.447
E 14	3. RETAINER, Accel Control Cable	3.425	F 12	21. HARNESS ASM, Wiring	3.887
F 11	4. BRACKET, Cruise Control	3.880	N 21	22. CABLE, Upper	4.342
F 11	5. STUD, Speed Cruise Cable	3.880		23. BOLT (1/4"-20 x 3/4")	8.900
	6. NUT (5/16"-18)	8.915		24. HOSE ASM, (Cut as Req)	8.962
E 16	7. SPRING, Accel Pull Back Outer	3.459	N 21	25. CABLE, Lower	4.342
E 16	8. SPRING, Accel Pull Back Inner	3.459	N 20	26. CLIP, Chassis Wiring Harness	2.559
E 15	9. SUPPORT ASM, Accel Control Cable	3.454		27. RIVET	N.S.
	10. CLIP, Cable Asm	N.S.	F 12	28. BRACKET, Spd Cruise Cont Servo	3.887
E 15	11. CABLE ASM, Accel Cont	3.430	F 11	29. TRANSDUCER, Cruise Cont	3.885
	12. SCREW (1/4"-14 x 5/8")	8.977		30. NUT (1/4"-20)	8.917
	13. RIVET	N.S.		31. WIRE ASM, Cruise Cont Req Grd	N.S.
E 15	14. PLATE, Accel Pedal Rod Support Mtg	3.451		32. BOLT (1/4"-20 x 3/4")	8.900
N 18	15. BRACKET, Switch	2.447	F 12	33. BRACKET, Spd Cruise Control Reg	3.887
	16. BOLT (M6.3 x 1.8 x 12)	N.S.		34. NUT (9/16"-18)	8.915
	17. CLIP, Push On (5/8"-18)	N.S.		35. WASHER (9/16" ID x 63/64")	8.931
F 11	18. VALVE ASM, Vacuum Release	3.885			



1979-82 'Y' CRUISE CONTROL

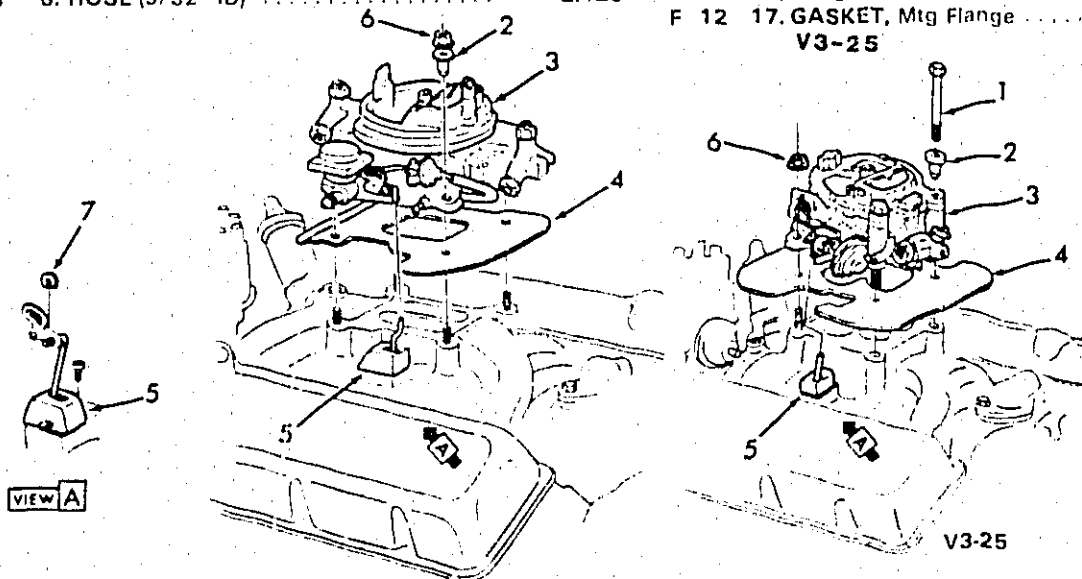
E 15	1. SUPPORT ASM, Control Cable	3.454	N 21	20. SHAFT ASM, Speedo Flex Up	4.342
E 15	2. CABLE ASM, Accel Contr	3.430	N 20	21. CLIP (7/16")	2.559
E 16	3. SPRING, Accel Return Inner & Outer	3.459		22. RIVET (3/16" x 7/16")	N.S.
F 11	4. SERVO ASM, Spd Contr	3.885	N 21	23. SHAFT ASM, Speedo Flex Lwr	4.342
	5. WASHER, Sprg Lock(3/8")	8.931		24. BOLT (1/4"-20 x 3/4")	8.900
	6. NUT (9/16"-18)	8.915	F 11	25. BRACKET, Control Servo	3.885
N 10	7. CLAMP (1/2")	1.166		26. RIVET (3/16" x 7/16")	N.S.
E 15	8. PLATE ASM, Control Cable	3.451		27. WIRE, Reg Ground	N.S.
F 12	9. HARNESS ASM, Cruise Wiring	3.887		28. NUT (1/4"-20)	8.917
N 18	10. BRACKET, Stop Lamp Switch	2.447	N 20	29. RETAINER, Adjustable	2.559
	11. SCREW (M6.3-1.8 x 12)	8.977		30. BOLT (3/8"-16 x 5/8")	8.900
F 11	12. CLIP, Vac Rel Vlv to Ped Brkt	3.885		31. WASHER, Lock (3/8")	8.931
F 11	13. VALVE ASM, Cruise Rel	3.885	E 14	32. CLIP, Control Rod to Carb	3.425
F 12	14. LEVER, W/Switch Dir Sig & Cruise Control	3.887	F 11	33. LINK, Control Servo Rod	3.885
N 18	15. SWITCH ASM, Stop Lp & Cruise	2.447		34. SCREW, Hex (1/4"-20 x 5/8")	8.977
N 18	16. CLIP, Cruise Rel Sw to Mt Brkt	2.447	F 11	35. STUD, Cruise Control Cable	3.880
	17. HOSE (Cut from Bulk)	8.962		36. NUT (5/16" x 18")	8.915
N 10	18. CLAMP (1/2" Hose)	1.166	E 11	37. FITTING, Inlet Vacuum	3.278
F 11	19. TRANSDUCER ASM	3.885		38. RIVET (3/16" x 7/16")	N.S.
			F 11	39. BRACKET ASM, Control Pwr Unit	3.885
			F 11	40. ROD, Power Unit	3.835



V3-24

1967-69 427 CU IN 3 X 2 BBL FUEL PIPES AND PUMP

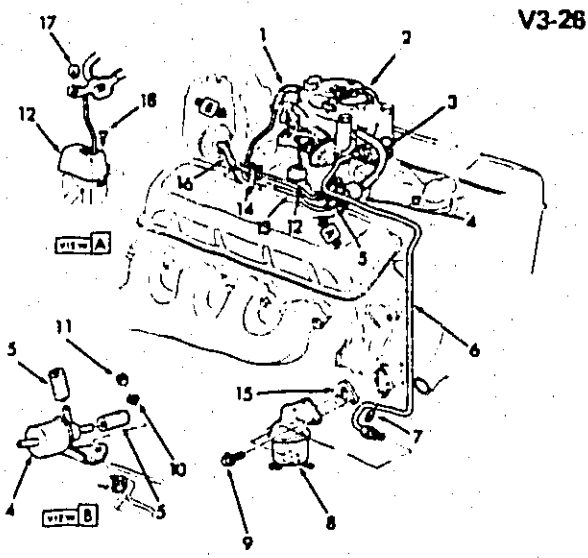
	1. PIPE	8.964	E 23	9. TEE, Spark Control Pipe	3.680
	2. PIPE	8.964	N 18	10. HOSE (5/32" ID)	2.420
	3. TEE (3/8"-3 Way 5/8"-18)	8.963		11. HOSE (5/32" ID)	8.962
	4. PIPE	8.964	N 17	12. SOLENOID ASM, Spark Control	2.408
	5. PIPE	8.964		13. HOSE (5/32" ID)	8.962
	6. PLUG (3/8"-18)	8.971		14. HOSE (5/32" ID)	8.971
F 12	7. PUMP ASM, (Type 40770)	3.900		15. BOLT	8.900
N 18	8. HOSE (5/32" ID)	2.420		16. WASHER	8.929
			F 12	17. GASKET, Mtg Flange	3.904



V3-25

1970 'Y' CARBURETOR MOUNTING

	1. BOLT (5/16"-18 x 3 7/8")	8.900	E 27	4. INSULATOR ASM	3.726
E 27	2. INSULATOR	3.726	E 27	INSULATOR ASM, (LT1 & LS7)	3.726
E 25	3. CARBURETOR UNIT	3.725	F 3	5. CHOKE HOUSING KIT	3.750
E 25	CARBURETOR ASM	3.725		6. NUT (5/16"-24)	8.916
				7. RETAINER	8.934



V3-26

1970-74 'Y' 454 CARBURETOR FUEL SPARK PIPES AND HOSES

	1.	HOSE	8.962
E 25	2.	CARBURETOR UNIT	3.725
N 18	3.	HOSE	2.420
N 17	4.	SOLENOID ASM, Spark Control	2.408
	5.	HOSE	8.962
	6.	PIPE	8.964
	7.	PLUG	8.971
F 12	8.	PUMP ASM, Fuel W/Gasket	3.900
F 12	9.	SCREW ASM (3/8"-16 x 1 1/8")	3.901
	10.	WASHER (9/16")	8.929
	11.	NUT (5/16"-18)	8.915
F 3	12.	CHOKE HOUSING KIT	3.750
	13.	PIPE	8.964
	14.	INSULATOR, Contact	8.964
F 12	15.	GASKET, Mtg Flange	3.904
	16.	HOSE	8.962
	17.	RETAINER	8.934
	18.	SCREW (#10-24 x 1/4")	8.906

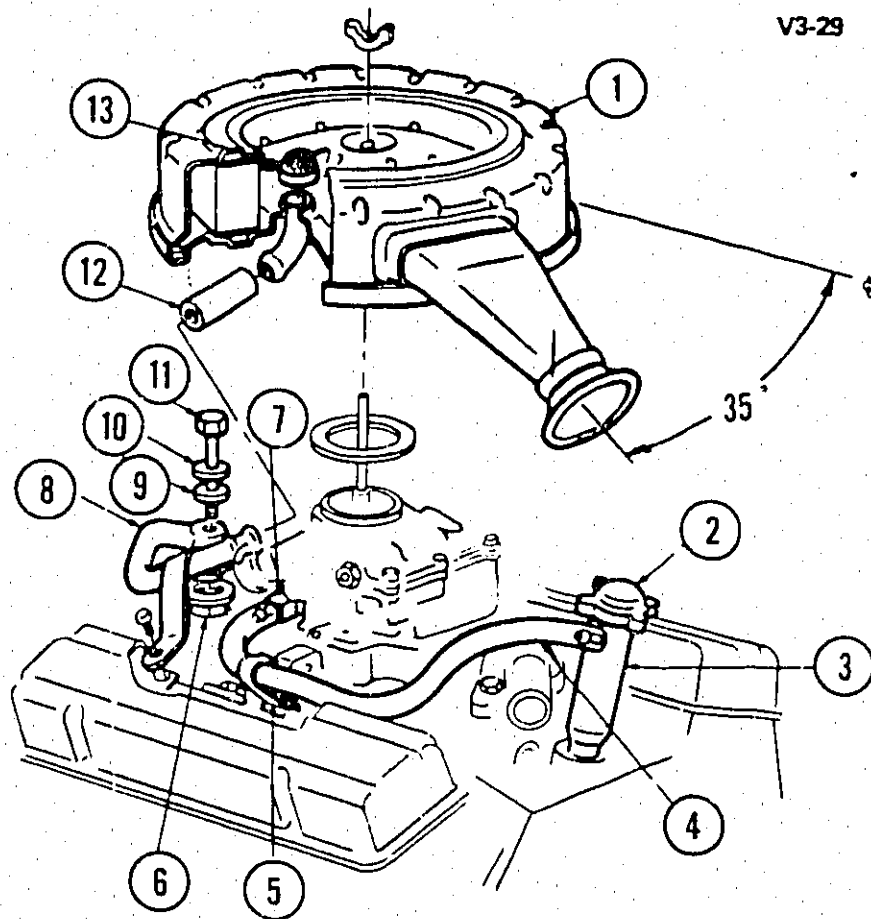
MICROFICHE INDEX

GROUP 3.000

FICHE 2 OF 6

GROUP DESCRIPTION	STARTING GRID LOCATION	
	PARTS	ILLUSTRATIONS
- INTRODUCTION	A-6	I-2
- GENERAL INFORMATION	A-2	I-2
- ALPHABETICAL INDEX	C-11	N.A.
- INDEX FOR ADDITIONAL INFORMATION	A-5	N.A.
3.000 FUEL - EXHAUST - CARBURETION	E-2	I-6
- CARBURETOR CHARTS	F-20	N.A.
- OUT OF FICHE CALLS	N.A.	N-9

J-1



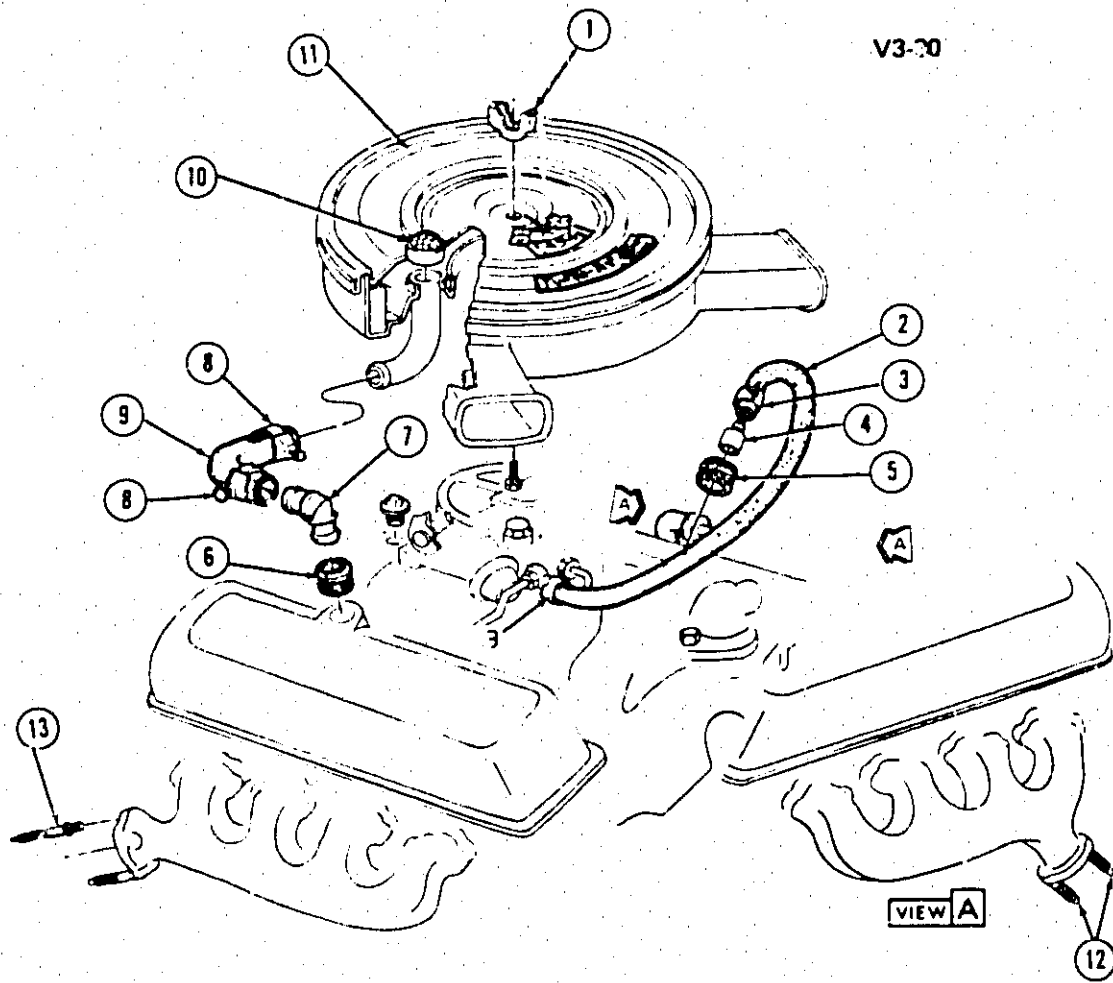
V3-29

V3-29

1953-67 283-327-CLOSED POSITIVE VENTILATION

E 13	1. CLEANER	3.402
N 14	2. CAP ASM	1.758
N 13	3. TUBE ASM	1.745
	4. HOSE	8.962
N 14	5. CLIP	1.762
N 13	6. GASKET	1.745
N 13	7. CONNECTOR	1.745
N 14	8. TUBE ASM	1.762
N 13	9. GASKET	1.745
	10. WASHER (1/4")	8.929
	11. BOLT (1/4"-20 x 4 1/2")	8.900
	12. HOSE (15/16" ID)	8.962
N 13	13. ARRESTOR	1.745

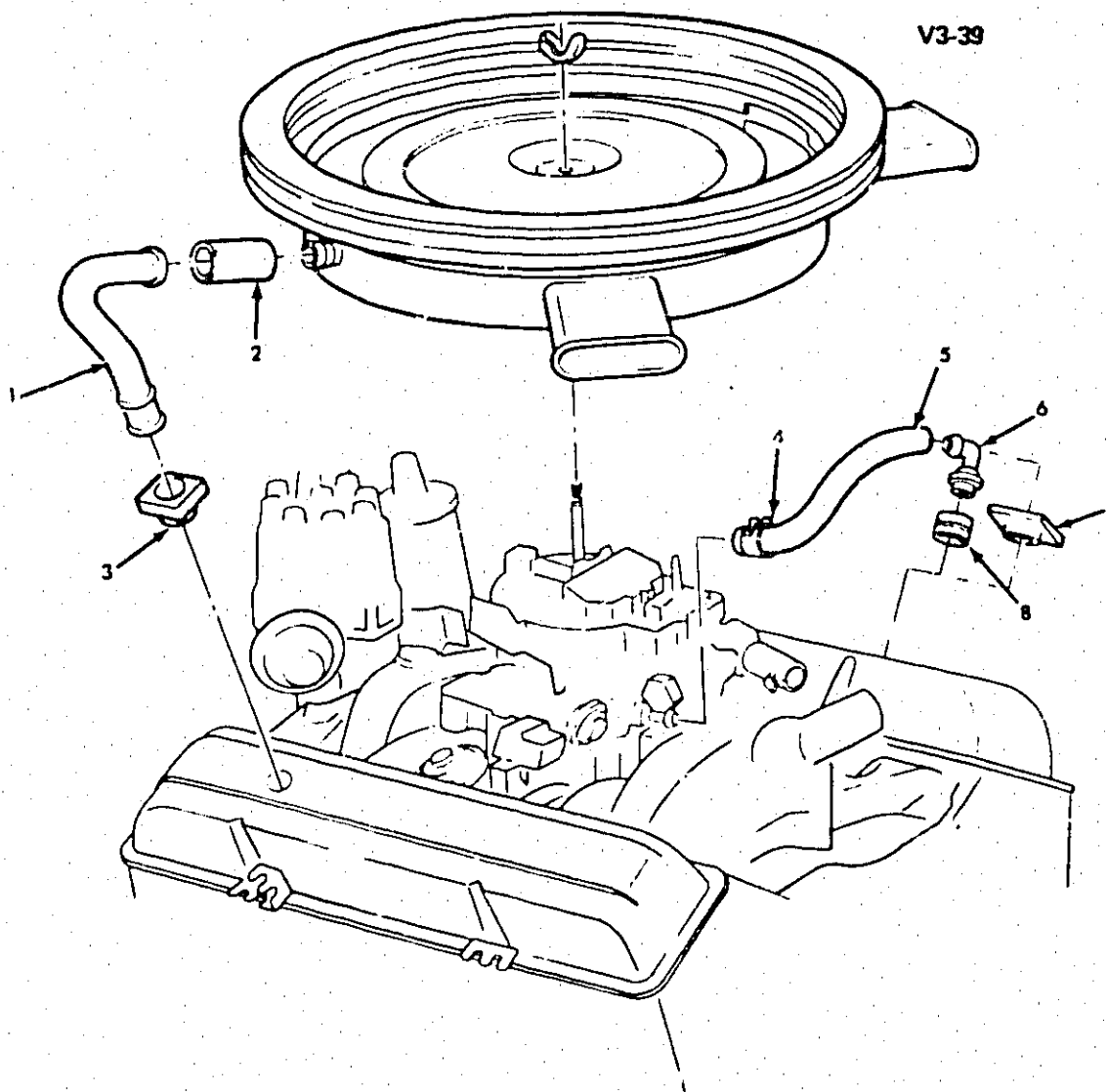
V3-30



V3-30

1971-72 'Y' 454 H/PER. CRANKCASE VENTILATION

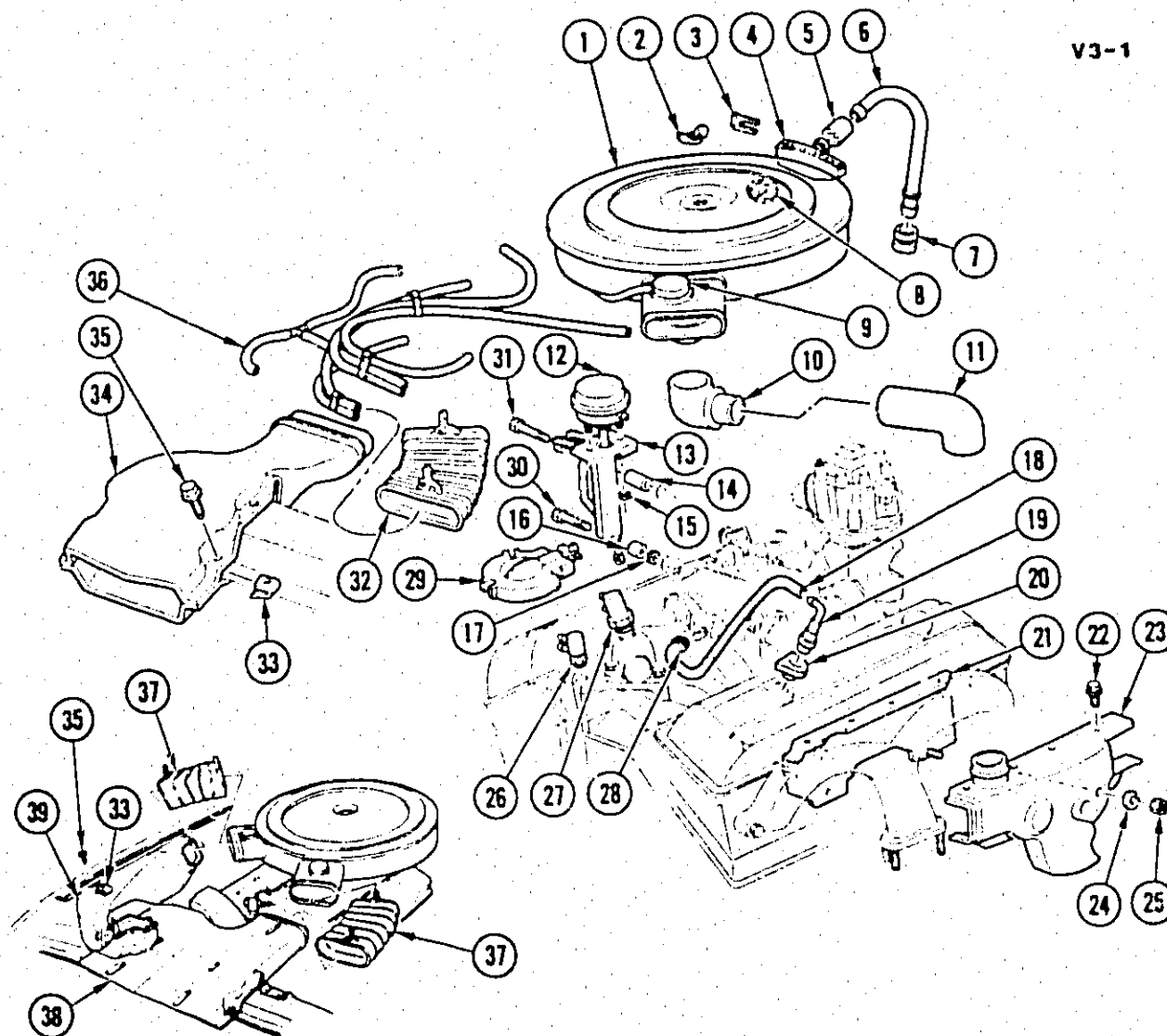
	1. WING NUT (1/4"-20)	8.920
	2. HOSE, C/Case Vent	8.962
N 10	3. CLAMP (1/4" x 5/8")	1.166
N 13	4. VALVE ASM, Vent	1.745
N 13	5. GROMMET (23/32" ID x 7/16" OD)	1.745
N 13	6. GROMMET, C/Case Vent Hose-RH	1.745
N 13	7. CONNECTOR (Type "O", 1 5/8")	1.745
N 10	8. CLAMP (1 1/2")	1.166
N 14	9. HOSE, C/Case Vent	1.762
N 13	10. ARRESTOR, Flame	1.745
E 13	11. CLEANER, W/Silencer	3.402
E 10	12. STUD, Exh Manifold-LH	3.275
E 10	13. STUD, Exh Manifold-RH	3.275



V3-39

1973-75 'Y' POSITIVE CRANKSHAFT VENTILATION (PCV)

N 14	1. PIPE, Ventilator Outer	1.762
E 22	2. HOSE, Crankcase Vent A/CI to Rocker Cvr	3.675
N 13	3. GROMMET, Crankcase Vent Hose	1.745
N 10	4. CLAMP, Hose Spring Band	1.166
	5. HOSE (ID 25/64" OD 5/8")(Length 15 1/2")	8.962
N 13	6. VALVE ASM, Crankcase Vent	1.745
N 13	7. GROMMET, Crankcase Vent Valve	1.745
N 13	8. GROMMET, Crankcase Vent Hose Connector	1.745



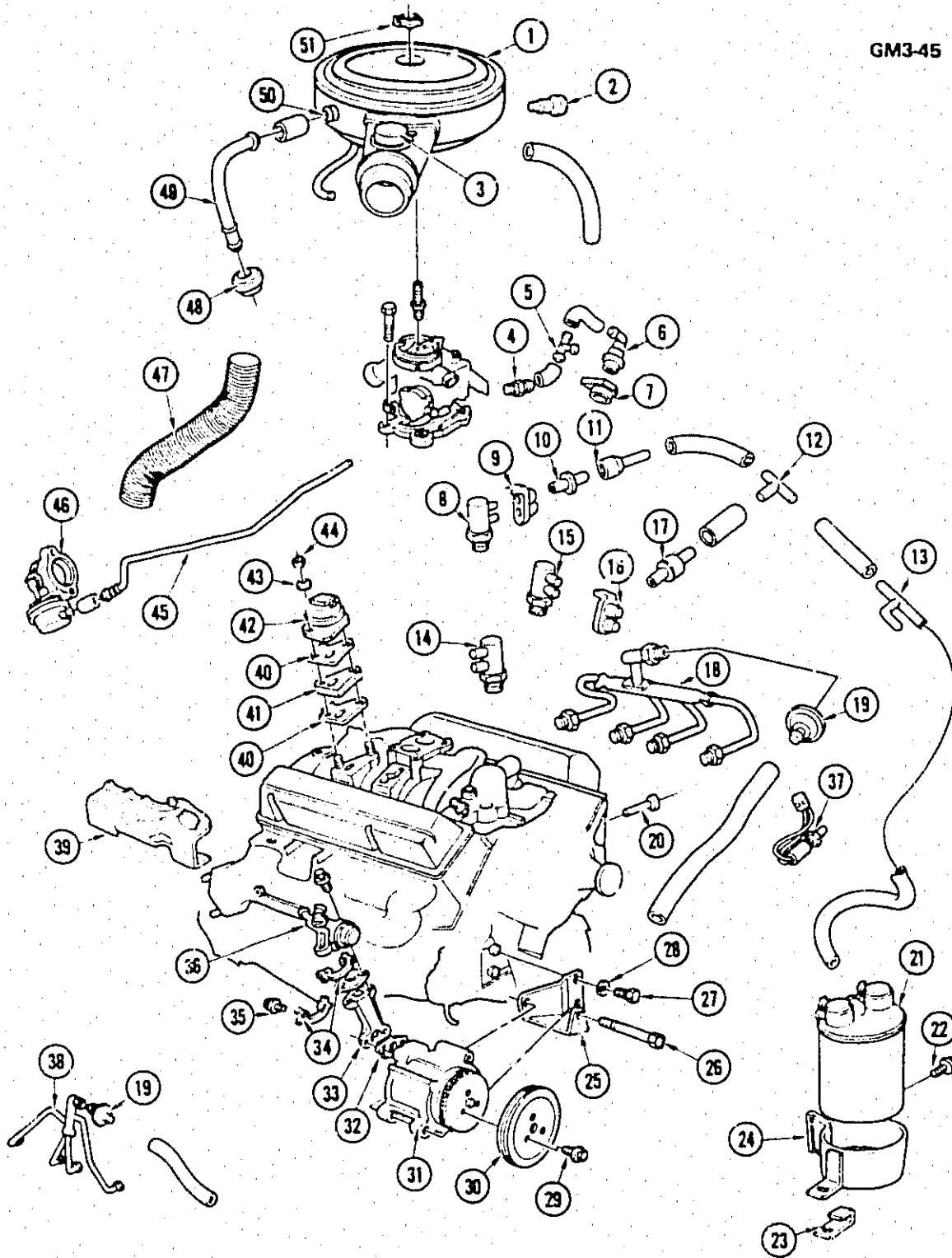
350 H/PER.

V3-1

1976-79 'Y' AIR CLEANER & EMISSION PARTS

E 13	1. CLEANER, Carburetor Air W/Silencer	3.402	N 13	20. GROMMET (23/32" ID x 1 3/16" OD)	1.745
E 13	2. NUT, Wing (1/4"-20)	8.920	E 14	21. PLATE, Carburetor Air	3.417
E 13	3. RETAINER, Air Filler Element	3.410	E 14	22. SCREW (#8-18 x 1/4")	8.977
E 13	4. BREATHER ASM	3.410	E 14	23. COVER, Carburetor Air	3.417
N 14	5. HOSE (Cut from Bulk)	N.S.	E 14	24. WASHER (5/16")	8.931
N 14	6. PIPE, C/Case Vent	1.762	E 14	25. NUT (5/16"-18)	8.915
N 13	7. GROMMET, C/Case Vent Hose-RH (23/32" ID x 1 7/32" OD)	1.745	E 20	26. SWITCH, EGR Valve Control	3.670
E 14	8. SENSOR, Kit Air Cleaner	3.415	E 9	27. SWITCH, Exh Heat Valve Actuator Vac Control (In WaterOutlet Hsg)	3.140
E 14	9. MOTOR, A/CI Vac Diaph	3.415	N 10	28. CLAMP, Hose Spr Hand	1.166
E 14	10. ELBOW, Air Heat Stove	3.417	E 19	29. VALVE ASM, Exh Heat	3.647
E 14	11. HOSE, Carb Air Heat Stove	3.417	E 14	30. BOLT, Hex (3/8"-16 x 3 1/2")	8.900
E 18	12. ACTUATOR ASM, W/Rod, Exh Heat	3.640	E 14	31. BOLT, Hex (3/8"-16 x 3 1/4")	8.900
E 22	13. BRACKET, Exh Heat Valve Actuator	3.675	E 14	32. DUCT, Air Intake Inner Flex	3.417
E 9	14. SPACER, Mfld to Vac Actuator Brkt Bolt #5 Hole-RH	3.145	E 14	33. NUT, "U" (#8-18)	8.921
E 9	15. NUT ASM	8.915	E 14	34. DUCT, Air Intake	3.417
E 9	16. SPACER, #4 Hole-RH	3.145	E 14	35. SCREW (#8-18 x 7/8")	8.977
E 14	17. WASHER (25/64" ID)	8.929	E 14	36. HOSE ASM, Exh Emission Control	8.962
E 14	18. HOSE (3/8" ID x 11" Lg)	N.S.	E 14	37. DUCT ASM, Air Int Inr Flex	3.417
N 13	19. VALVE ASM, C/Case Vent	1.745	E 14	38. DUCT, Air Intake	3.417
			E 14	39. DUCT ASM, Air Intake Outboard	3.417

GM3-45



GM3-45

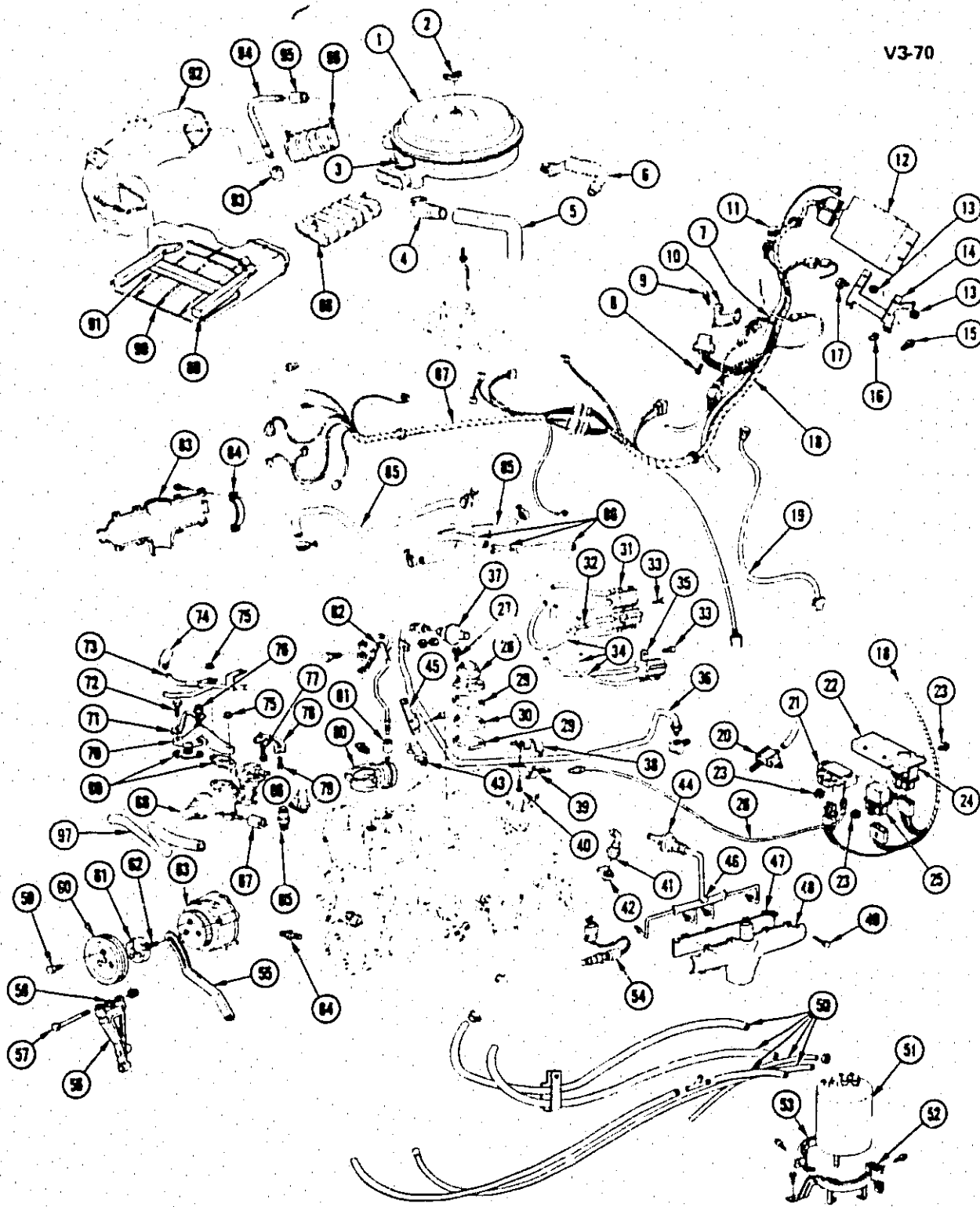
1980 'Y' 305/350 V8 ENGINE AIR CLEANER & EMISSION PARTS

GM3-45

1980 'Y' 305/350 V8 ENGINE AIR CLFANER & EMISSION PARTS

E 13	1. AIR CLEANER	3.402
N 17	2. SWITCH, Thermo Vac	2.410
E 14	3. MOTOR, A/CI Diaph	3.415
N 13	4. NIPPLE, Vent Hose (1/4"-18)	1.745
N 13	5. TEE, Vent Hose	1.745
N 13	6. VALVE, C/Case Vent	1.745
N 13	7. GROMMET, C/Case Vent (3/4" ID x 1 1/8")	1.745
N 17	8. SWITCH, Spark Cont Vac (3.670)	2.408
E 9	9. CONNECTOR, Exh Emis Cont Hose	3.145
	10. CONNECTOR, Hose to Conn	N.S.
E 20	11. VALVE, Vac Ck	3.670
E 11	12. CONNECTOR, Vac (3/16" x 3/16" x 1/8")	3.278
E 11	13. CONNECTOR, Spark Vac Sig Tube	3.278
E 20	14. SWITCH, EGR Vlv Vac Cont	3.670
E 9	15. SWITCH, EFE Cont	3.140
E 9	16. CONNECTOR, Exh Emis Cont Hose	3.145
N 17	17. VALVE, Spark Delay	2.408
E 22	18. PIPE, Air Inj-LH	3.675
E 20	19. VALVE, Air Inj Ck	3.670
E 22	20. EXTENSION, Air Inj Pipe	3.675
E 8	21. CANISTER, Fuel Vapor	3.130
	22. SCREW (M6.3 x 1.81 x 20)	8.977
E 9	23. CLIP, Vapor Canister	3.145
E 8	24. SUPPORT, Canister	3.130
E 19	25. BRACKET, Air Inj Pump	3.655
	26. BOLT, Hex (M10 x 1.5 x 120)	8.900
	27. BOLT, Hex (3/8"-16 x 7/8")	8.900
	28. WASHER, Lock (3/8")	8.931
	29. BOLT, Hex (M6 x 1 x 12)	8.900
E 19	30. PULLEY, Air Inj Pump	3.650
E 19	31. PUMP, AIR	3.660
E 23	32. GASKET, Dvtr Vlv to Elbow	3.680
E 23	33. ELBOW, AIR Dvtr Vlv	3.680
E 23	34. LOCK, Air Inj Dvtr	3.680
E 20	35. BOLT, Dvtr Vlv Elbow (M8 x 1.25 x 17.5)	3.670
E 20	36. VALVE, Air Inj Dvtr	3.670
E 23	37. SENSOR, Oxygen	3.682
E 22	38. PIPE, Air Inj-RH	3.675
E 14	39. STOVE, Carb Air Htr	3.417
E 23	40. GASKET, EGR Vlv	3.680
E 23	41. SPACER, EGR Vlv	3.680
E 20	42. VALVE, EGR	3.670
	43. WASHER, Lock (5/16")	8.931
	44. NUT, Hex (5/16"-24)	8.915
	45. PIPE, EFE Vlv (3/16" OD)	8.964
E 9	46. VALVE, W/Actr-EFE	3.140
E 14	47. HOSE, Carb Air Ht	3.417
N 13	48. GROMMET, C/Case Vent Pipe (.72 ID x 1.22 OD)	1.745
N 14	49. PIPE, C/Case Vent	1.762
E 13	50. BREATHER, A/CI	3.410
E 13	51. NUT, A/CI Wing	3.403

NOTE: Vacuum and Vapor Hose as Required - Group 8.962.



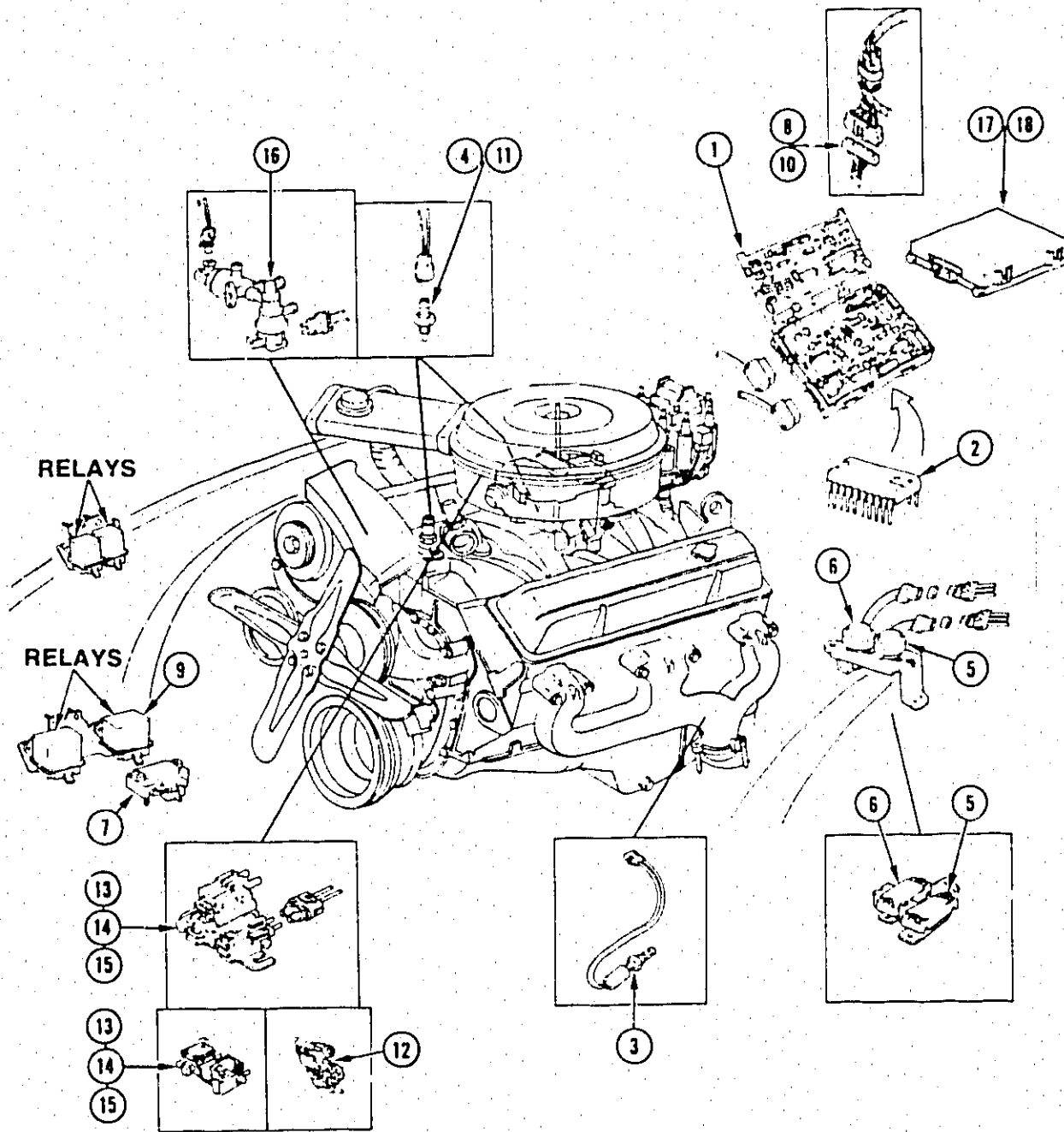
V3-70

V3-70

1981 'Y' 5.7 LITER V8 ENGINE EMISSION CONTROLS (LB1-350)

1981 'Y' 5.7 LITER V8 ENGINE EMISSION CONTROLS (L81-350)

E 13	1. AIR CLEANER	3.402	50. HOSE, Bulk (3/32" 5/32" 1/4" 3/8" ID)	8.962	
	2. NUT, A/Clr Wing (1/4"-20)(3 403)	8.920	E 9	CONNECTOR, Spl "Y" (5/32" x 5/32" x 7/64" ID)	3.145
E 14	3. MOTOR, A/Clr Diaph	3.415	E 22	ADAPTER, Vacuum Hose	3.675
E 14	4. ELBOW, Carb Air Ht Stove	3.417	E 11	CONNECTOR, Straight Nylon (3/16" Hose)	3.278
E 14	5. HOSE, Carb Air Ht	3.417	E 9	CONNECTOR, Exh Emission Cont Hose	3.145
E 22	6. HOSE, Air Cont Vlv Pipe	3.675	E 8	51. CANISTER, Fuel Vapor	3.130
N 18	7. HARNESS, I/P Wiring	2.480	E 8	52. SUPPORT, Fuel Vapor Canister	3.130
	8. SCREW, Hex Lg Wa Hd W/Slr (M4.2 x 1.41 x 10)	8.977	E 8	53. RETAINER, Fuel Vapor Canister	3.130
	9. SCREW, Hex Wa Hd Tap (M4.2 x 1.41 x 13)	8.977	E 23	54. SENSOR, Exh Oxygen	3.682
E 21	10. BRACKET, Elec Cont Mdl Diagnostic Conn	3.671	E 19	55. BRACE, Air Inj Pump	3.655
N 20	11. RELAY, Horn	2.815	E 19	56. BRACKET, Air Inj Pump	3.655
E 20	12. CONTROLLER, ECM (Remanufactured)	3.670		57. BOLT, Hex (M10 x 1.5 x 150)(10.9 PC)	8.900
E 20	CALIBRATION UNIT (PROM)	3.670	E 19	58. SLEEVE, Air Inj Pump Brkt (2.277)	3.655
	13. NUT, Hex Flg (M5 x 0.8)	8.917		59. BOLT, Hex (M6 x 1 x 35)(10.9 PC)	8.900
	WASHER, Ext Lk (M8.3 x 15)	8.932	E 19	60. PULLEY, Air Inj Pump	3.650
N 16	14. BRACKET, Closed Loop Elec Cont Mdl	2.383	E 19	61. SPACER, Air Inj Pump Pulley	3.650
	15. BOLT, Hex W/Con Spr Wa (M5 x 0.7 x 25)(9.8 PC)	8.900	E 19	62. BOLT, Hex (M10 x 1.5 x 20)(10.9 PC)	8.900
N 16	16. NUT, Elec Cont Module Brkt	2.383	E 19	63. PUMP, Air Inj	3.660
N 27	17. CLIP, U-Nut & Stud	9.667	N 10	64. SWITCH, Eng Temp Fan	1.055
N 18	18. HARNESS, Closed Loop I/P	2.480	E 23	65. SENSOR, Coolant Temp	3.682
N 21	19. WIRE, Torq Conv Clu Sw	4.115	N 17	66. SWITCH, Evap Canister Purge (3.670)	2.408
N 21	20. VALVE, Trans Conv Clu Cont	4.115		67. HOSE, Fuel Oil-Evap (5/8" ID)(Bulk)	8.962
E 23	21. SENSOR, Manif Diff Press	3.682	E 20	68. VALVE, Air Inj Cont	3.670
E 21	22. BRACKET, Manif Diff Press Sensor	3.671	E 21	69. GASKET, Air Inj Dvtr Vlv El	3.671
	23. NUT, Manif Diff Press Sensor & Brkt (4.022)	8.917	E 23	70. ELBOW, Air Inj Dvtr Vlv	3.680
E 20	24. RELAY, Air Cont Vlv	3.670	E 20	71. LOCK, Air Inj Dvtr Vlv El Bolt	3.670
E 20	25. RELAY, EGR Cont Vlv	3.670		72. BOLT, Hex (M8 x 1.25 x 14)(10.9 PC)	8.900
	26. HOSE, Fuel Oil Evap (Bulk)(5/32" ID)	8.962	E 22	73. PIPE, Air Inj Cont Vlv Dvtr	3.675
	27. BOLT, Hex (5/16"-18 x 1 1/4")(300M)	8.900	E 22	74. HOSE, Cont Vlv Fltr	3.675
E 20	28. VALVE, EGR	3.670		75. NUT, Hex Style 1 (M8 x 1.25)	8.915
E 23	29. GASKET, EGR Vlv	3.680	E 21	76. STUD, Air Cont Vlv Adap	3.67
E 23	30. SPACER, EGR Vlv	3.680		77. BOLT, Spr Wa & Met Hex (M8 x 1.25 x 18)	8.900
E 20	31. SOLENOID, EGR Cont Vlv Rly (A.T.)	3.670	E 23	78. LOCK, Air Inj Dvtr	3.680
E 23	32. CONNECTOR, EGR Cont Vlv Hose (A.T.)	3.680	E 21	79. BOLT, Air Inj Dvtr Vlv	3.671
	33. SCREW, Hex Serr Wa Hd Tap (M8 x 1.25 x 20)	8.977	E 9	80. VALVE & ACTUATOR ASM, EFE	3.140
	34. HOSE, Bulk	8.962	E 9	81. HOSE, Bulk (7/32" ID)	8.962
E 20	35. SOLENOID, EGR Cont Vlv Rly (M.T.)	3.670	E 17	82. PIPE ASM, EFE Vac	3.145
E 22	36. PIPE, Air Ctlc Conv	3.675	E 17	83. SHIELD, Exh Manif Ht	3.602
E 20	37. VALVE, Air Inj Ctlc Conv Ck	3.670	E 22	84. STRAP, Exh Manif Ht Shield	3.602
E 23	38. CLAMP, Ctlc Conv Air Inj Ck Upr (2.50")	3.680		85. HOSE, Air Inj Eng Chk Vlv	3.675
E 23	39. CLAMP, Ctlc Conv Air Inj Ck Lwr (2.50")	3.680		86. HOSE, Fuel-Oil Evap (3/8" ID)(Bulk)	8.962
	40. SCREW, Hex Wa Hd Tap (M6.3 x 1.81 x 25)	8.977		TEE, Special (3 Way 1/4" x 3/16")	8.963
N 13	41. VALVE, C/Case Vent	1.745	N 13	CONNECTOR, C/Case Vent Hose ("Y" Shape)	1.745
N 13	42. GROMMET, C/Case Vent	1.745	N 18	87. HARNESS, Closed Loop Eng Compt	2.480
E 23	43. SWITCH, EFE Cont	3.681	E 14	88. DUCT, Air Int Inr Flex	3.417
E 20	44. VALVE, Ctlc Conv Air Inj Ck	3.670	E 14	89. SEAL, Air Int Ctr Duct	3.417
E 21	45. BRACKET, EGR Sol	3.671	E 14	90. DUCT, Air Int Frt	3.417
E 22	46. PIPE, Air Inj	3.675	E 14	91. SEAL, Air Duct	3.417
E 14	47. STOVE, Carb Air Htr Inr	3.417	E 14	92. DUCT, Air Int Otr	3.417
E 14	48. STOVE, Carb Air Htr Otr	3.417	N 13	93. GROMMET, C/Case Vent (3/4" ID 3/8" OD)	1.745
	49. SCREW, Hex Wa Hd Tap (#10-16 x 3/8")	8.977	N 14	94. PIPE, C/Case Vent (5 3/4")	1.762
				95. HOSE (3/4" ID x 2")	8.963
			E 14	96. DUCT, Air Int Inner Flex	3.417
			E 22	97. HOSE, Air Ctlc Conv	3.675



GM3-68 .1

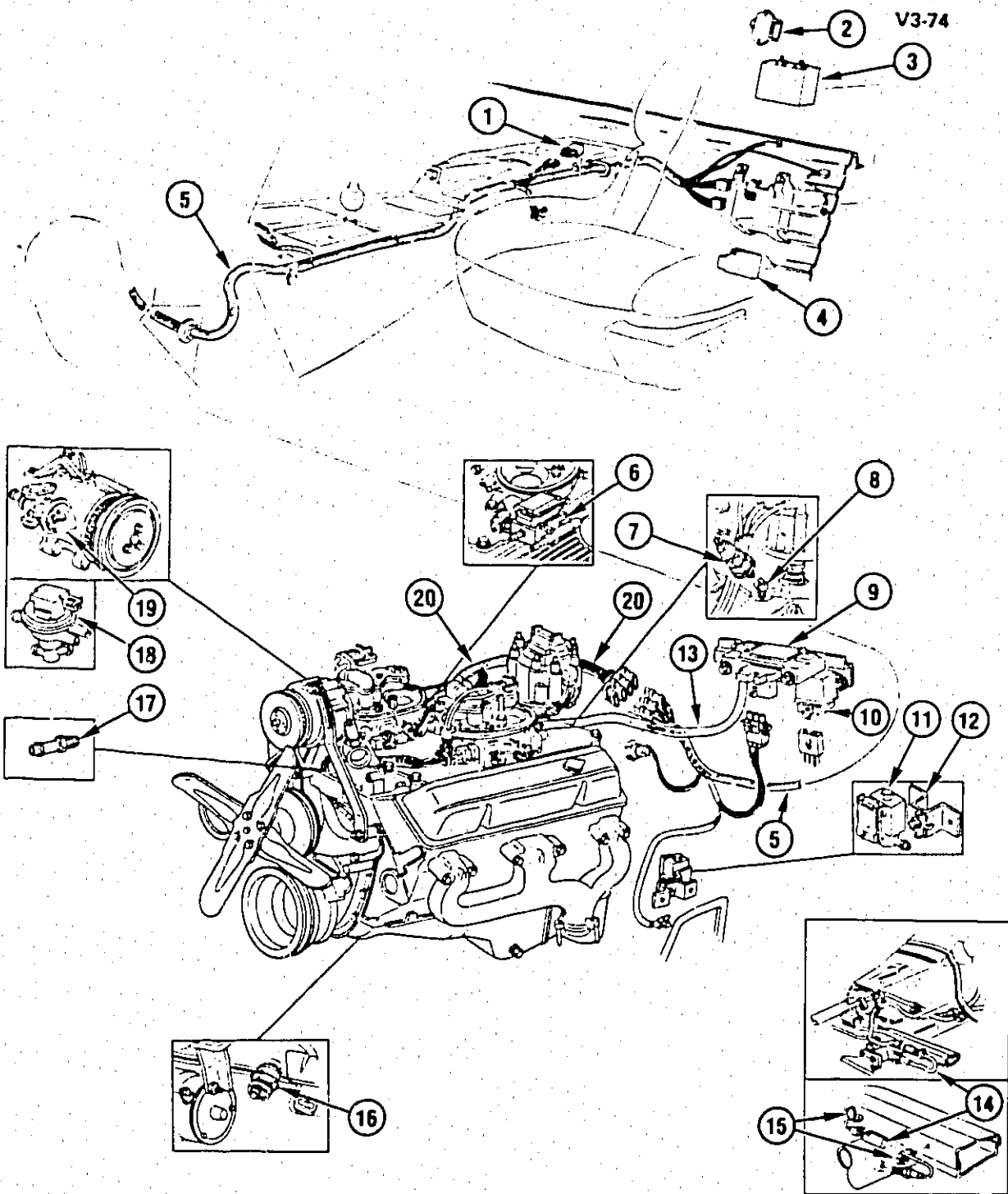
1981 'Y' ELECTRONIC EMISSION CONTROL

GM3-68 .1

1981 'Y' ELECTRONIC EMISSION CONTROL

E 20	1.	3.670	CONTROLLER, ECM (Remanufactured)	1224810
E 20	2.	3.670	CALIBRATION UNIT (Prom)(Code 6084FN)(W/M.T.,Fed)(1st Des)(* 1)	1225310
E 20		3.670	CALIBRATION UNIT (Prom)(Code 8108OK)(W/M.T.,Fed)(2nd Des)(* 1)	1225434
E 20		3.670	CALIBRATION UNIT (Prom)(Code 5839CF)(W/M.T.,Calif)(1st Des)(* 1)	1224869
E 20		3.670	CALIBRATION UNIT (Prom)(Code 81040J)(W/M.T.,Calif)(2ndDes)(* 1)	1225433
E 20		3.670	CALIBRATION UNIT (Prom)(Code 6079FO)(W/A.T.,Fed)(1st Des)(* 1)	1225430
E 20		3.670	CALIBRATION UNIT (Prom)(Code 8118OD)(W/A.T.,Fed)(2nd Des)(* 1)	1225430
E 20		3.670	CALIBRATION UNIT (Prom)(Code 6092FR)(W/A.T.,Calif)(1stDes)(* 1)	1225432
E 20		3.670	CALIBRATION UNIT (Prom)(Code 8114OH)(W/A.T.,Calif)(1stDes)(* 1)	1225432
E 23	3.	3.682	SENSOR, Exh Oxygen	5613719
E 23	4.	3.682	SENSOR, Coolant Temp	25036092
	5.	N.S.	Not used on Corvette	
	6.	N.S.	Not used on Corvette	
E 23	7.	3.682	SENSOR, Manif Diff Press	16006834
	8.	N.S.	Not used on Corvette	
	9.	N.S.	Not used on Corvette	
	10.	N.S.	Not used on Corvette	
	11.	N.S.	Not used on Corvette	
E 20	12.	3.670	SOLENOID, EGR Cont Vlv Rly (W/A.T.)	1997536
E 20		3.670	SOLENOID, EGR Cont Vlv Rly (W/M.T.)	1997518
	13.	N.S.	Not used on Corvette	
	14.	N.S.	Not used on Corvette	
	15.	N.S.	Not used on Corvette	
E 20	16.	3.670	VALVE, Air Inj Cont	17071549
	17.	N.S.	Not used on Corvette	
	18.	N.S.	Not used on Corvette	

NOTE 1: 1st & 2nd Design identification determined by corla.



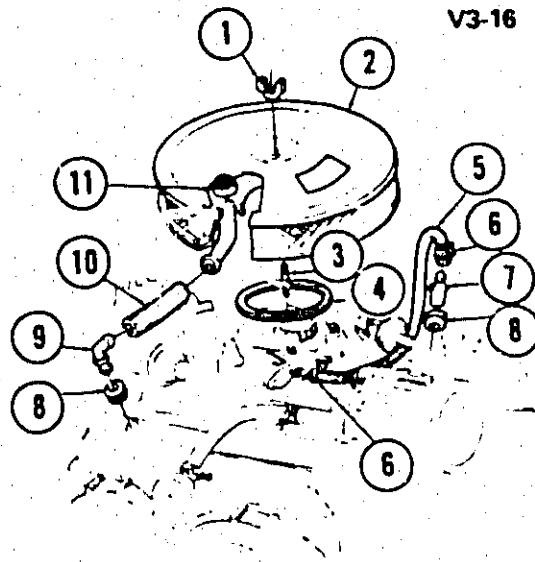
V3-74

1982 'Y' ELECTRONIC EMISSION CONTROLS

V3-74

1982 'Y' ELECTRONIC EMISSION CONTROLS

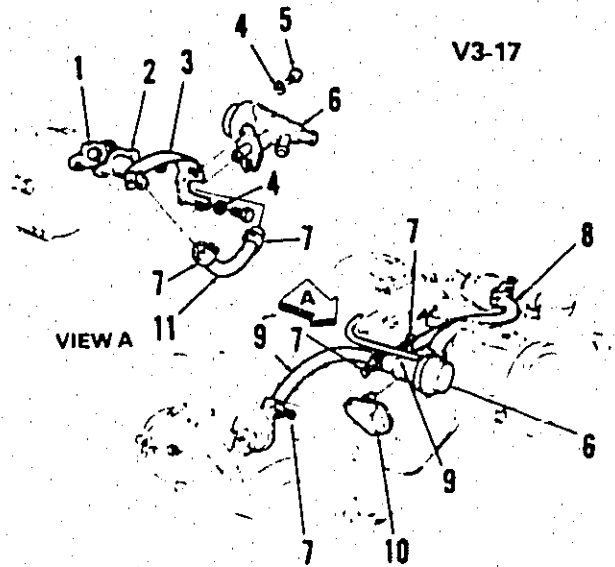
E 20	1.	3.670	RELAY, Trans Shift Pos Sig (2.815)	1620879
F 12	2.	3.900	RELAY, Fuel Pump (3.140)	14039681
E 20	3.	3.670	CONTROLLER, ECM (Remanufactured)	1225550
E 20		3.670	CALIBRATION UNIT, W/Fed (Prom)(Code 0547TS or 5343ARYor 9405BMU)	1226096
E 20		3.670	CALIBRATION UNIT, W/Calif (Prom)(Code 5337ARZ)	1225555
N 16	4.	2.383	MODULE, Elec Spark	16024701
N 18	5.	2.480	HARNESS, I/P Wrg	12027103
E 20	6.	3.670	SOLENOID, EGR Cont Vlv Rly	1997618
N 14	7.	1.800	SENDER, Oil Press	14073454
N 15	8.	1.803	FITTING, Oil Press Gage	14047147
E 23	9.	3.682	SENSOR, M.A.P.	16017460
E 14	10.	3.415	RELAY, A/CI Dr Sol (3.140)	14039681
E 9	11.	3.140	SOLENOID, Fuel Vapor Canister Purge	1997599
E 9	12.	3.140	BRACKET, Fuel Vapor Canister Purge Sol	14043227
	13.	8.962	HOSE, Bulk (7/32" ID)	
E 23	14.	3.682	SENSOR, Exh Oxygen	5613959
E 23	15.	3.680	CLIP, Elec Cont Mod Harness	8917236
E 23	16.	3.682	SENSOR, Elec Spark Controller	1997463
E 23	17.	3.682	SENSOR, Coolant Temp	25036092
E 20	18.	3.670	VALVE, Air Inj Sw	17070883
E 20	19.	3.670	VALVE, Air Inj Cont	17070882
N 18	20.	2.480	HARNESS, Elec Cont Mdl Wrg	12016688



V3-16

1968 'Y' AIR CLEANER AND VENT HOSES

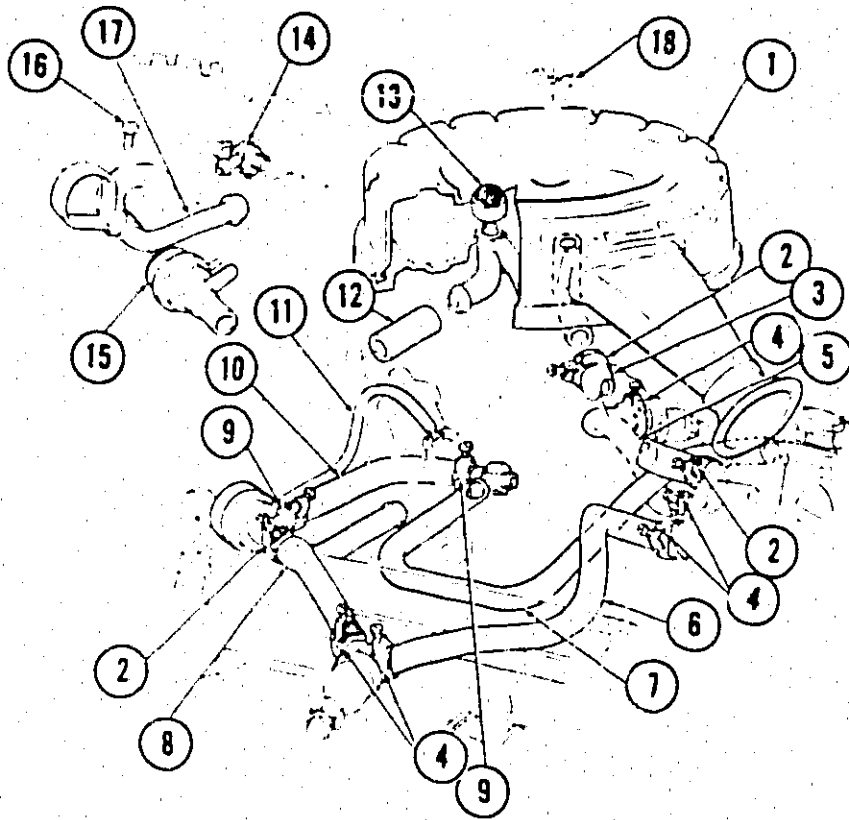
	1. NUT	8.920	N 10	6. CLAMP	1.166
E 13	2. CLEANER	3.402	N 13	7. VALVE ASM	1.745
E 13	3. STUD	3.403	N 13	8. GROMMET	1.745
E 13	4. GASKET	3.403	N 13	9. CONNECTOR	1.745
N 14	5. HOSE	1.762	N 14	10. HOSE	1.762
			N 13	11. ARRESTOR	1.745



V3-17

1968 'Y' DIVERTER VALVE AND A.I.R. HOSES

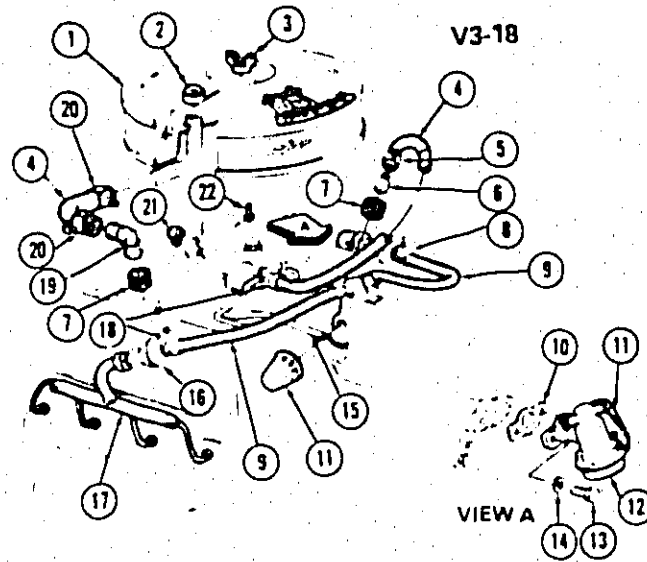
E 23	1. GASKET	3.680	E 20	6. VALVE ASM	3.670
E 23	2. ELBOW	3.680	N 10	7. CLAMP	1.166
E 19	3. BRACKET	3.655	E 22	8. HOSE	3.675
	4. WASHER, Lock (1/4")	8.931		9. HOSE	8.962
	5. BOLT (1/4"-20 x 5/8")	8.900		10. SILENCER ASM	3.672
			E 22	11. HOSE	3.675



V3-15

1966-67 V8, AIR CLEANER AND A.I.R. HOSES

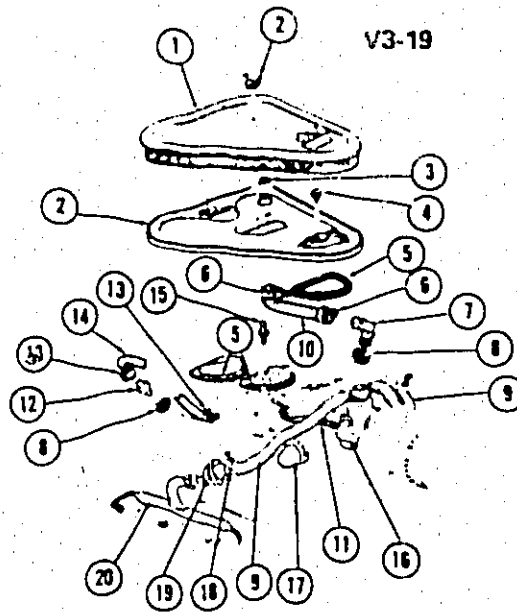
E 13	1. CLEANER	3.402
N 10	2. CLAMP	1.166
E 22	3. HOSE	3.675
N 10	4. CLAMP	1.166
E 22	5. HOSE	3.675
E 22	6. HOSE	3.675
E 22	7. HOSE, Outlet	3.675
E 22	8. HOSE, Inlet	3.675
N 10	9. CLAMP	1.166
E 22	10. HOSE (5/8" ID)	3.675
	11. HOSE (5/32" ID)	8.962
N 14	12. HOSE (5/16" ID x 3")	1.762
N 13	13. ARRESTOR, Flame	1.745
N 13	14. TEE ASM	1.745
E 20	15. VALVE ASM	3.670
	16. SCREW (#10-24 x 5/8")	8.900
N 14	17. TUBE ASM	1.762
	18. NUT, Wing (1/4"-20)	8.920



V3-18

1968-69 'Y' '427' DIVERTER VALVE AND A.I.R. HOSES

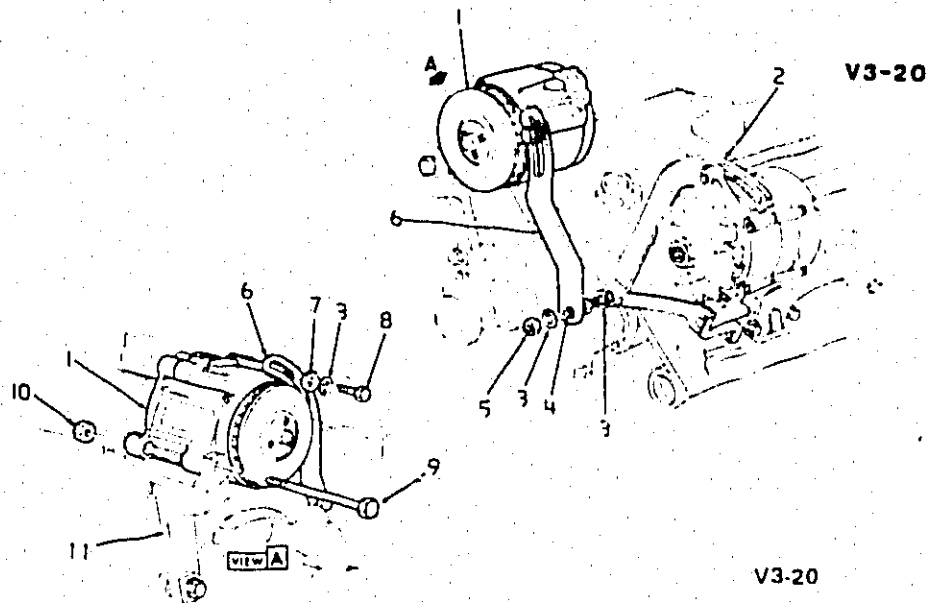
E 13	1. CLEANER	3.402
N 13	2. ARRESTOR	1.745
	3. NUT	8.920
N 14	4. HOSE	1.762
N 10	5. CLAMP	1.166
N 13	6. VALVE ASM	1.745
N 13	7. GROMMET	1.745
N 10	8. CLAMP	1.166
E 22	9. HOSE	3.675
E 23	10. GASKET	3.680
	11. SILENCER ASM	3.672
E 20	12. VALVE ASM	3.670
	13. BOLT (1/4"-20 x 5/8")	8.900
	14. WASHER, Lock (5/8")	8.931
	15. HOSE	8.962
E 20	16. VALVE ASM	3.670
E 22	17. PIPE ASM	3.675
N 10	18. CLAMP	1.166
N 13	19. CONNECTOR	1.745
	20. CLAMP	N.S.
	21. PLUG (3/8")	8.971
E 13	22. STUD	3.403



V3-19

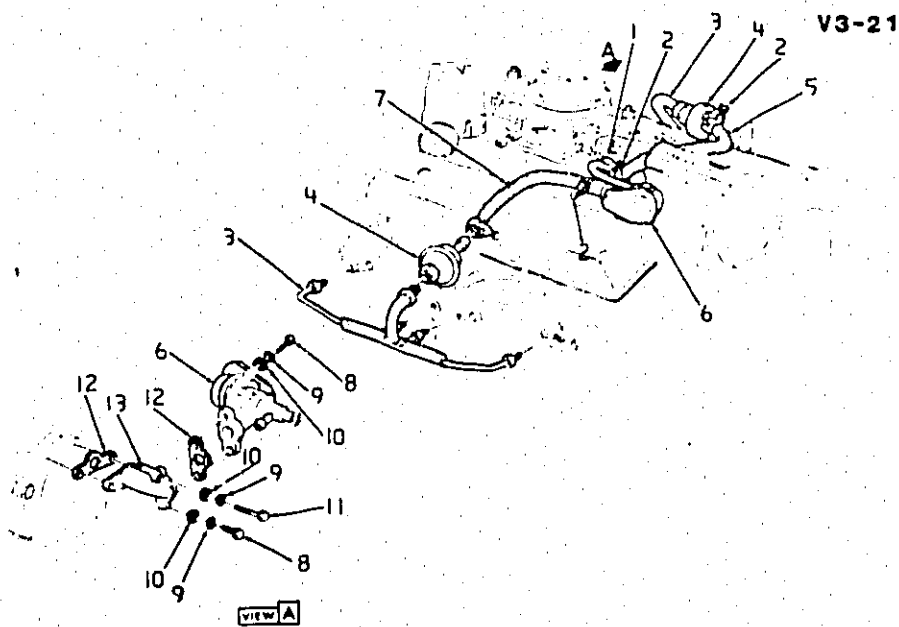
1967-69 'Y' 3 X 2 AIR CLEANER AND A.I.R. HOSES

E 13	1. CLEANER	3.402
	2. NUT	8.920
N 13	3. ARRESTOR	1.745
	4. BOLT (1/4"-20 x 3/4")	8.900
E 13	5. GASKET	3.403
N 10	6. CLAMP	1.166
N 13	7. CONNECTOR	1.745
N 13	8. GROMMET	1.745
E 22	9. HOSE	3.675
N 14	10. HOSE	1.762
	11. HOSE	8.962
N 13	12. VALVE ASM	1.745
N 10	13. CLAMP	1.166
N 14	14. HOSE	1.762
E 13	15. STUD	3.403
E 20	16. VALVE ASM	3.670
	17. SILENCER ASM	3.672
N 10	18. CLAMP	1.166
E 20	19. VALVE ASM	3.670
E 22	20. PIPE ASM	3.675



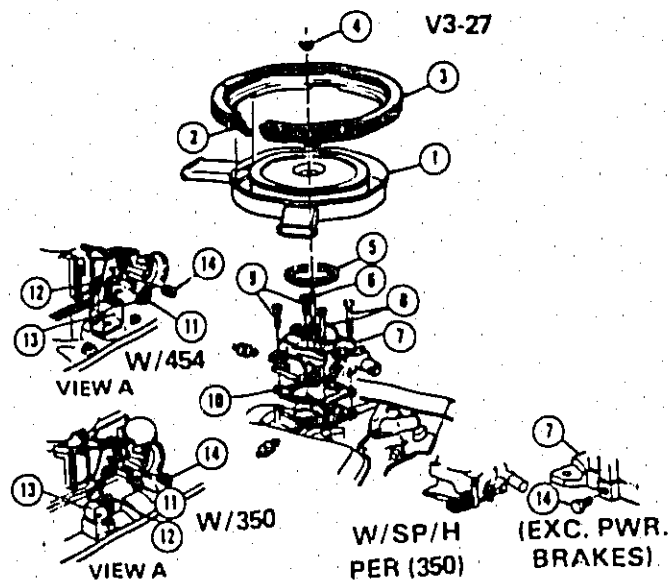
1970-76 'Y' V-8 ENG. 350 A.I.R. PUMP MOUNTING

E 19	1. PUMP ASM, AIR Pump	3.660	E 19	6. BRACE, AIR Pump Mounting	3.655
N 15	2. BRACE, Curved (1 1/2" x 3 1/32" x 4 7/64" x 17/64")	2.317		7. WASHER (3/8")	8.929
		8.931		8. BOLT (3/8"-16 x 1")	8.900
N 10	3. WASHER (3/8")	1.073		9. BOLT (3/8"-16 x 5 1/4")	8.900
	4. STUD, Coolant Pump	8.915		10. NUT (3/8"-16)	8.917
	5. NUT (3/8"-16)		E 19	11. BRACKET, Pump	3.655



1970-76 'Y' 350 SPEC. H/P DIVERTER VALVE

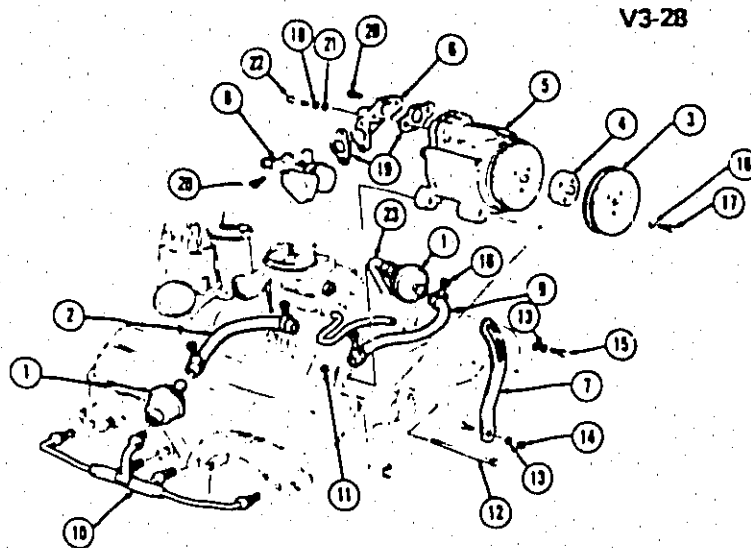
N 10	1. HOSE (Cut as Req)	8.962	E 20	6. VALVE ASM, AIR	3.670
	2. CLAMP, Htr to Valve & Htr to Water Pump (1 1/16" x 1 1/4")	1.166		7. HOSE-RH (Cut as Req)	8.962
E 22	3. PIPE ASM, Exh Gas Combustion-LH	3.675		8. BOLT (1/4"-20 x 3/4")	8.900
E 22	PIPE ASM, Air Inj-RH	3.675		9. WASHER (1/4")	8.931
E 20	4. VALVE ASM, AIR	3.670		10. WASHER (17/64"-5/8" x 1/16")	8.929
	5. HOSE-LH (Cut as Req)	8.962		11. BOLT (1/4"-20)	8.900
			E 23	12. GASKET, Diverter Valve	3.680
			E 23	13. ELBOW, Diverter Valve Mtg	3.680



V3-27

1974 'Y' AIR CLEANER AND SEAL, CARBURETOR AND CHOKE

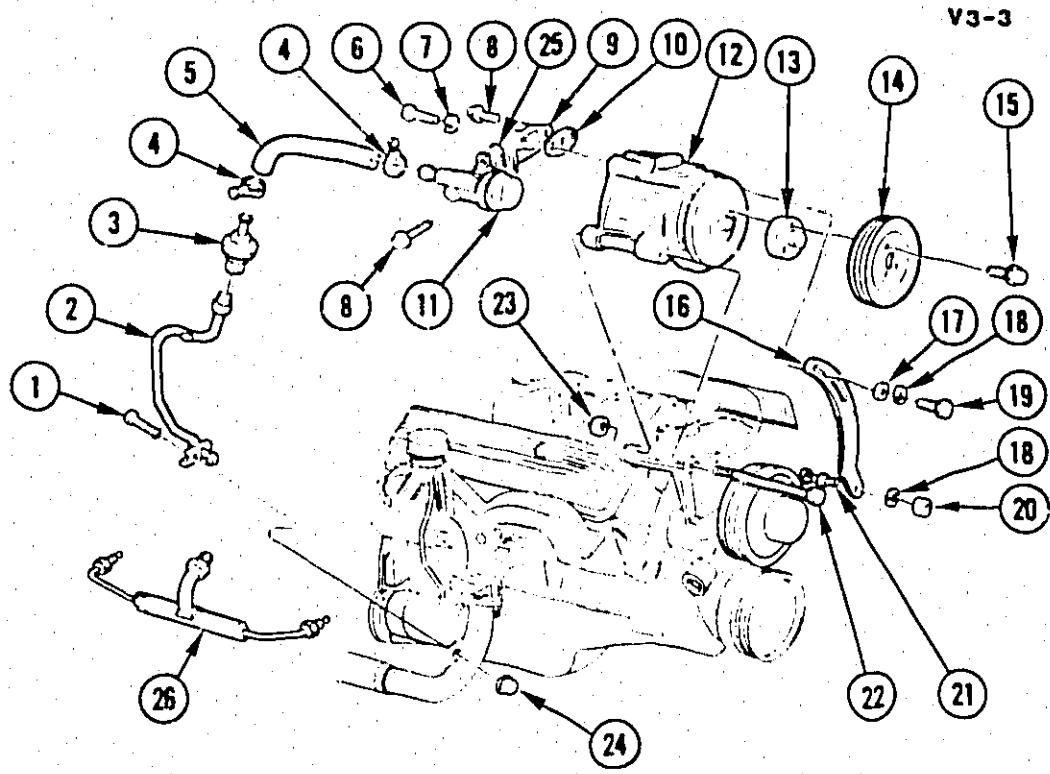
E 13	1. CLEANER, W/Silencer	3.402
E 13	2. FLANGE, Air Cleaner Seal	3.406
E 14	3. SEAL, Air Cleaner to Hood	3.417
	4. NUT, Wing, Air Cleaner Stud	8.920
E 13	5. GASKET, Air Cleaner and Silencer	3.403
E 13	6. STUD, Air Cleaner	3.403
E 25	7. CARBURETOR ASM	3.725
	8. BOLT, Carb Front (5/16"-18 x 3 3/4")	8.900
	9. BOLT, Carb Rear (5/16"-18 x 1 1/4")	8.900
E 27	10. INSULATOR ASM, Carb Heat	3.726
E 14	11. CLIP, Auto Choke Rod	3.425
	12. SCREW ASM, Auto Choke Therm Cover and Rod to Int Manif(#10-24 x 1/2")	8.913
	13. CHOKE ASM, Auto	N.S.
	14. PLUG, Carb Vacuum Hole (1/4")	8.971



V3-28

1973-75 'Y' AIR INJECTOR REACTOR (A.I.R.)

E 20	1. VALVE ASM, Air Injection Check	3.670
	2. HOSE	8.963
E 19	3. PULLEY, Air Injector Reactor	3.650
E 19	4. SPACER, Pulley Pump	3.650
E 19	5. PUMP ASM, Air Injector Reactor Pump	3.660
E 23	6. ELBOW, Air Inj Diverter Valve	3.680
E 19	7. BRACE, Air Inj Pump Pivot	3.655
E 20	8. VALVE ASM, Relief Diverter Valve Asm	3.670
	9. HOSE, Air Inj Divider Valve	6.962
E 22	10. PIPE ASM, Air Injection	3.675
	11. NUT (25/64"-16)	8.917
E 19	12. BOLT, Pump Pivot (3/8"-16 x 5 1/4")	3.655
	13. WASHER, Spring Type	8.931
	14. NUT, Hex (3/8"-16)	8.900
	15. BOLT, Hex (3/8"-16)	8.900
N 26	16. CLAMP	9.214
	17. BOLT (1/4"-20 x 1 3/8")	8.900
	18. WASHER, Spring Lock (1/4")	8.915
E 23	19. GASKET, Air Injection Pump Exh Tube	3.680
	20. BOLT (1/4"-20 x 5/8")	8.900
	21. WASHER (ID 9/32" x OD 5/8" x 5/64")	8.929
	22. BOLT (3/8"-16)	8.900
E 22	23. PIPE ASM, Air Injection	3.675

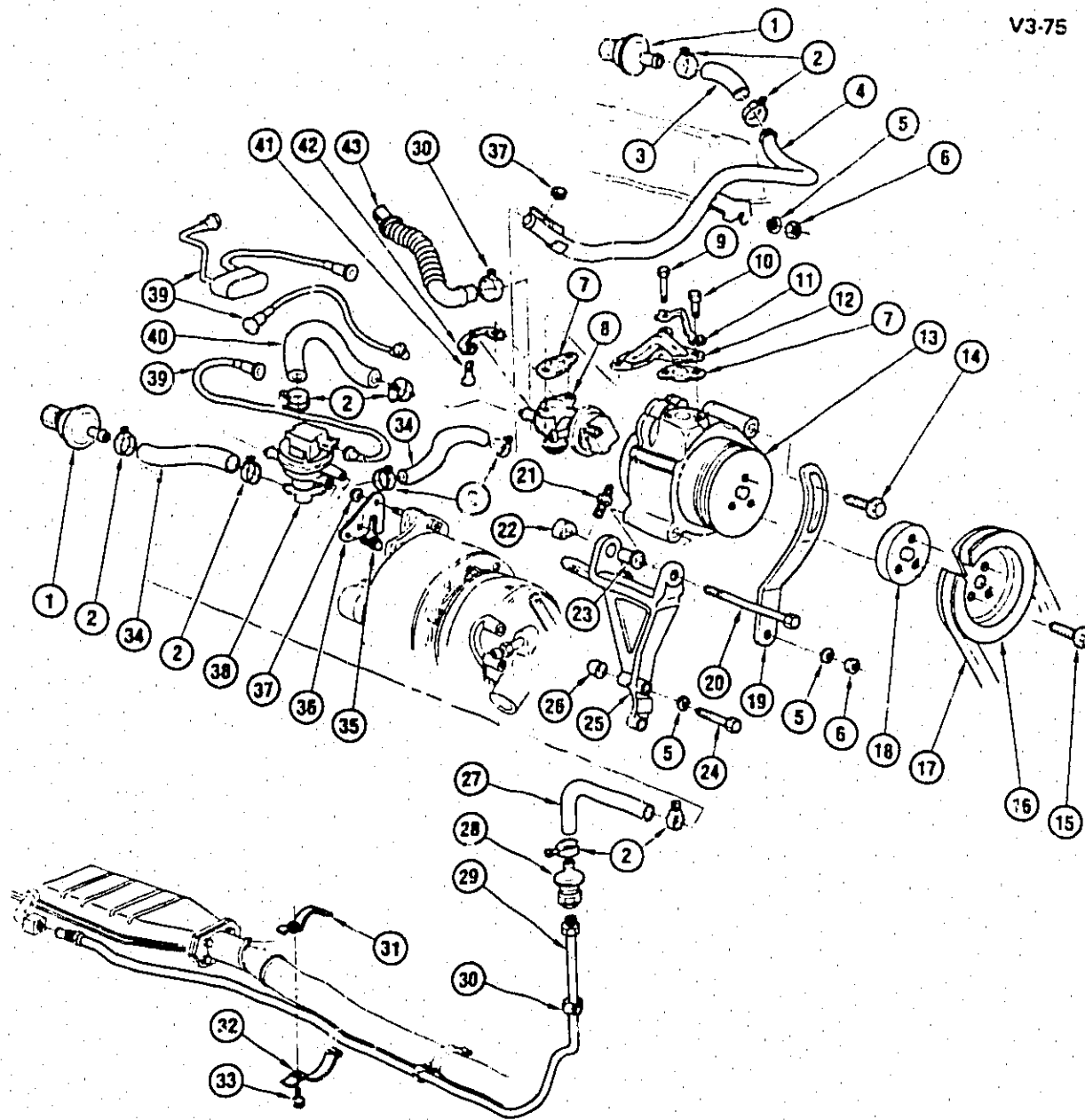


V3-3

1976-81 'Y' A.I.R. SYSTEM

	1. BOLT (3/8"-16 x 1 1/8")	8.900
E 22	2. PIPE ASM, Conv Air	3.675
E 20	3. VALVE, Air Injection Check	3.670
N 10	4. CLAMP, Hose	1.166
	5. HOSE, Air Injection Reactor	N.S.
	6. BOLT, Air Injection Diverter Valve (1/4"-20 x 1 5/8")	N.S.
	7. WASHER (1/4" Med)	8.931
	8. SCREW, Air Injection Diverter Valve Elbow	8.909
E 23	9. CONNECTOR, Air Injection Diverter Valve	3.680
E 23	10. GASKET, Diverter Valve	3.680
E 20	11. VALVE, Diverter Air Injection Reactor	3.670
E 19	12. PUMP, Air Injection Reactor	3.660
E 19	13. SPACER, Pump Pulley (3/4" Thick)	3.650
E 19	14. PULLEY, Air Injection Reactor	7.650
	15. BOLT & WASHER ASM, Air Injection Pump Pulley	8.900
E 19	16. BRACE, Air Injection Reactor Pump Mtg	3.655
	17. WASHER (23/32" x 47/64")	8.929
	18. WASHER (3/8" x 43/64")	8.931
	19. BOLT (3/8"-16 x 1")	8.900
	20. NUT (3/8"-16)	8.915
	21. STUD, Pump (3/8"-16 x 2 15/16")	N.S.
E 19	22. BOLT, Pump Pivot (3/8"-16 x 5 1/4")	3.655
	23. NUT (3/8"-16)	8.917
	24. NUT (3/8"-16)	8.915
E 23	25. GASKET	3.680
E 22	26. PIPE ASM	3.675

V3-75



V3-75

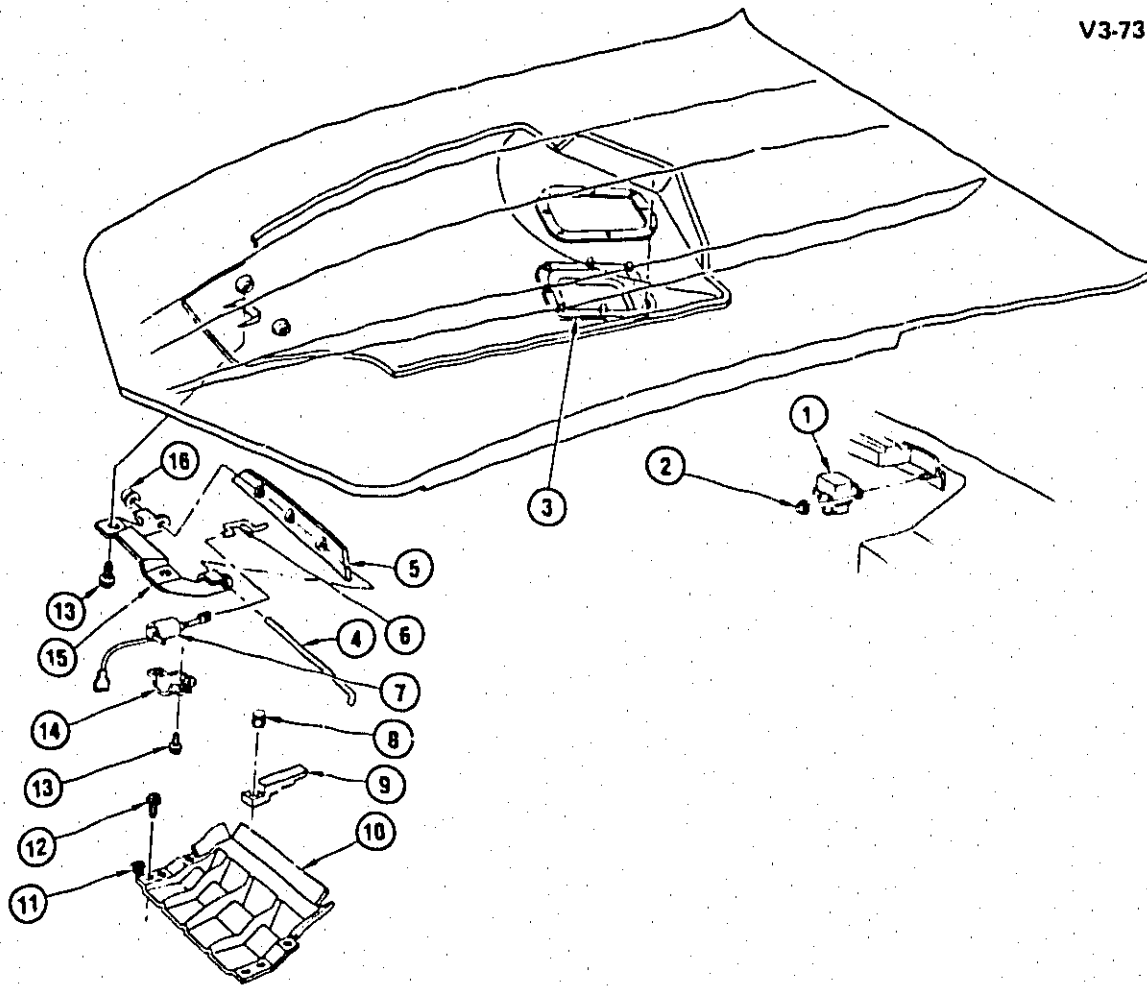
1982 'Y' A.I.R. SYSTEM

V3-75

1982 'Y' A.I.R. SYSTEM

E 20	1.	3.670	VALVE, Air Inj Chk	22034703
N 10	2.	1.166	CLAMP, Worm Type (1 1/16" to 1 5/16")	14052374
	3.	8.962	HOSE, Fuel, Oil, Evap (Bulk)(5/8" ID)	
E 22	4.	3.675	PIPE, Dclr Vlv Otl	14037664
	5.	8.931	WASHER, Lk (M10)	
	6.	8.915	NUT, Hex (3/8"-16)	
E 21	7.	3.671	GASKET, Air Inj Dvtr Vlv El	14015367
E 20	8.	3.670	VALVE, Air Inj Cont	17070882
	9.	8.900	BOLT, Hex (M8 x 1.25 x 45)	
	10.	8.900	BOLT, Hex Hd (M8 x 1.25 x 16)	
E 21	11.	3.671	LOCK, Dvtr Vlv El Bolt	14031171
E 23	12.	3.680	ELBOW, Air Inj Dvtr Vlv	14026170
E 19	13.	3.660	PUMP, Air Inj	7836920
E 20		3.665	FAN, A.I.R. Pump	7835231
	14.	8.900	BOLT, Hex (M10 x 1.5 x 20)	
	15.	8.900	BOLT, Hex (M6 x 1 x 35)	
E 19	16.	3.650	PULLEY, Air Inj Pump	14023171
N 10	17.	1.066	BELT, A.I.R. Pump (7/16" x 32")(EW)	9433716
E 19	18.	3.650	SPACER, Air Inj Pump Pul	14017717
E 19	19.	3.655	BRACE, Air Inj Pump	14031170
	20.	8.900	BOLT, Hex (M10 x 1.5 x 120)	
E 9	21.	3.265	STUD, Int Manif (9.171)	14037662
E 19	22.	3.655	NUT, Air Inj Pump Plv	14037663
E 19	23.	3.655	SPACER, Pump Brkt (2.277)	336028
	24.	8.900	BOLT, Hex (3/8"-16 x 3 3/4")	
E 19	25.	3.655	BRACKET, Air Inj Pump	14037668
E 19	26.	3.655	SLEEVE, Pump Brkt (2.277)	14001805
E 22	27.	3.675	HOSE, Air Inj Eng Chk Vlv	14020682
E 20	28.	3.670	VALVE, Air Inj Ctlc Conv Chk	22017478
E 22	29.	3.675	PIPE, Ctlc Conv Air Inj	14044536
N 10	30.	1.166	CLAMP, Worm Type (1/2" to 31/32")	1470029
E 23	31.	3.680	CLAMP, Ctlc Conv Air Inj Pipe Up	14044532
E 23	32.	3.680	CLAMP, Ctlc Conv Air Inj Pipe Lwr	14044533
	33.	8.977	SCREW, Hex Wa Hd Tap (M6.3 x 1.81 x 25)	
	34.	8.962	HOSE, A.I.R. Pump (Bulk)(5/8" ID x 10')	
	35.	8.977	SCREW, Hex Wa Hd Tap (M6.3 x 1.81 x 13)	
E 21	36.	3.671	BRACKET, Air Inj Sw Vlv	14037665
	37.	8.917	NUT, Cmpr Brace & Brkt Hex Flg (3/8"-16)	14057004
E 20	38.	3.670	VALVE, Air Inj Sw	17070883
	39.	8.962	HOSE, Fuel, Oil, Evap (Bulk)(5/32" ID)	
E 22	40.	3.675	HOSE, Air Inj Sw Vlv	14037666
	41.	8.900	BOLT, Hex Wa (M8 x 1.25 x 13)	
E 23	42.	3.680	LOCK, Air Inj Dvtr	14015366
E 22	43.	3.675	HOSE, Air Inj Cont Vlv to A/C	14037667

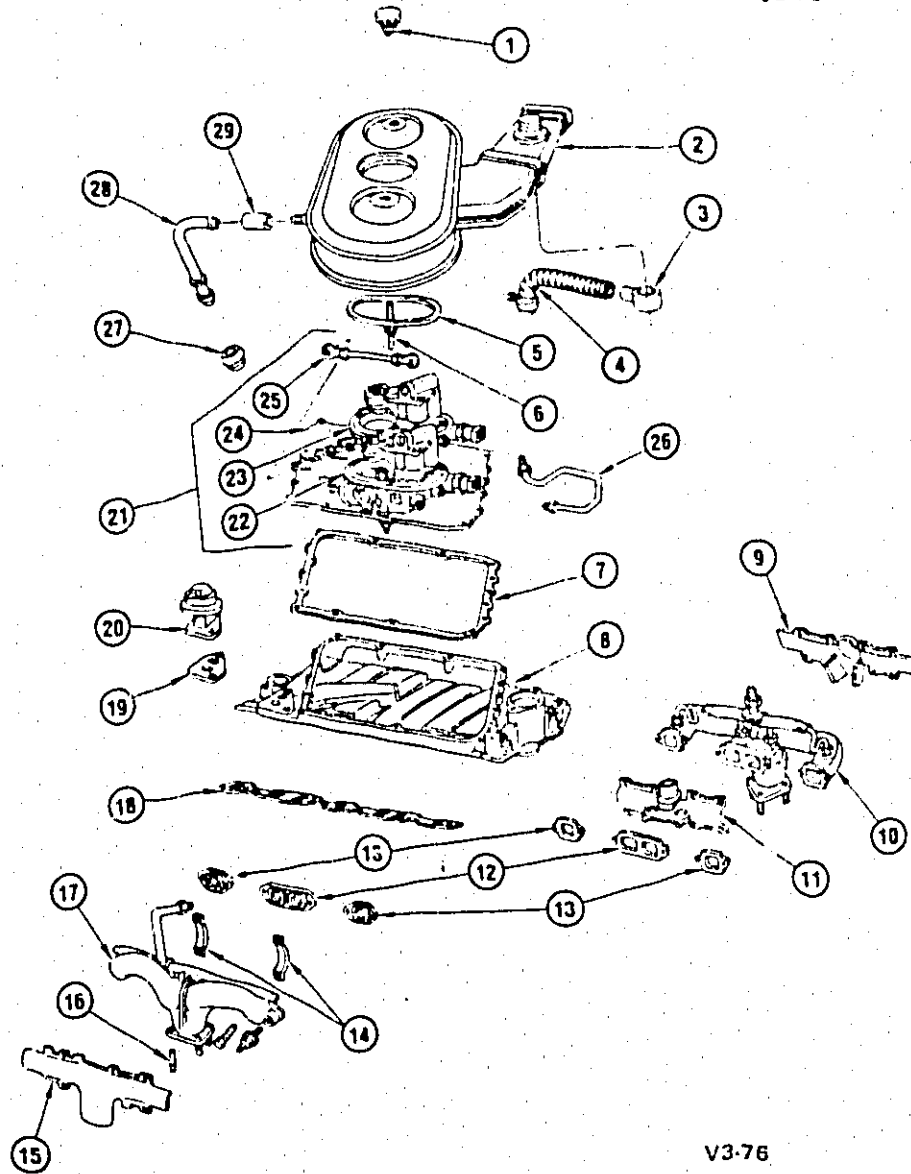
V3-73



V3-73

1982 "Y" HOOD Air INTAKE

E 14	1.	3.415	RELAY, A/CI Dr Sol (3.140)	14039681
	2.	8.917	NUT, Hex W/Cor. Wa (M4 x 0.7)	14045940
E 14	3.	3.417	SEAL, Air Int Duct Frt	11045999
E 14	4.	3.415	ROD, Air Int Duct	14033715
E 14	5.	3.415	DOOR, Air Int Duct Frt	14043249
E 14	6.	3.415	ROD, Air Int Hood	14043247
E 14	7.	3.415	SOLDENOID, A/CI Air Int Scoop Dr	3966532
N 10	8.	1.270	RETAINER, Frt Air Int Duct (Push-in)	14045992
E 14	9.	3.417	SEAL, Ctr Air Int Duct	14038268
E 14	10.	3.417	DUCT, Air Int Frt	
	11.	8.921	NUT, Spring (#8-18)	
	12.	8.977	SCREW, Hex Wa Hd C/Rec (M4.2 x 1.41 x 20)	
	13.	8.977	SCREW, Hex Wa Hd Tap (M4.2 x 1.41 x 11)	
E 14	14.	3.415	BRACKET, A/CI Air Int Scoop Dr	14043248
E 14	15.	3.417	BRACKET, Air Int Duct Frt	14033722
	16.	8.921	NUT, Push-on 1/8" Sht	

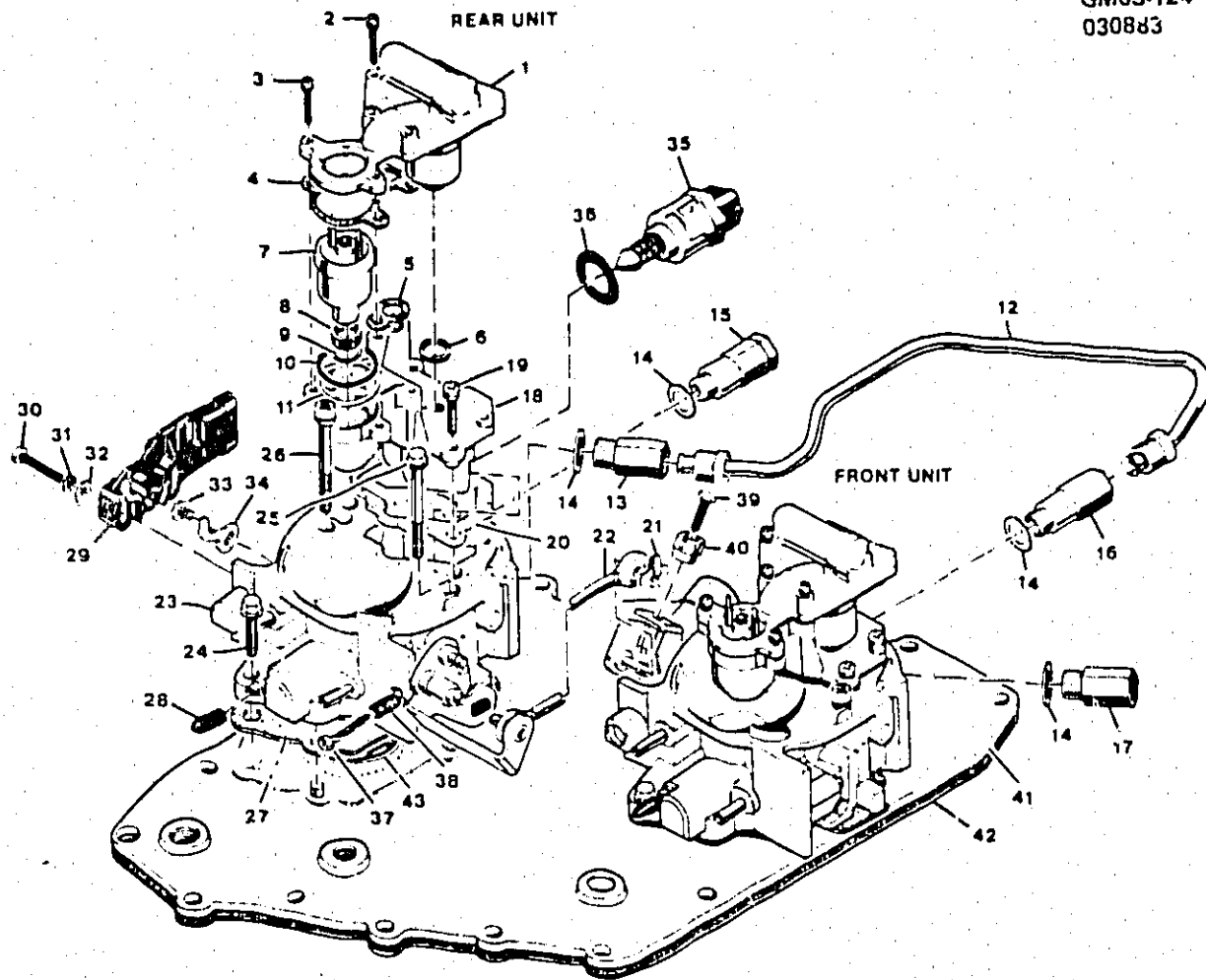


V3-76

1982 'Y' T.B.I. ASSEMBLY & AIR CLEANER

E 13	1.	3.403	NUT, A/Clnr	14067309	E 10	18.	3.270	GASKET KIT, Int Manif (Incls LH & RH)	14034932
E 13	2.	3.402	CLEANER, Carb Air	25040866	E 23	19.	3.680	GASKET, EGR Vlv	14031369
F 14	3.	3.417	ELBOW, Carb Air Ht Stove	372586	E 20	20.	3.670	VALVE, EGR (Includes #19)	17078423
E 14	4.	3.417	PIPE, Htr Air	1260631	E 25	21.	3.725	THROTTLE BODY UNIT, Complete (Incls #22 thru 26)	17078834
E 13	5.	3.403	SEAL, A/Clnr	14037770	E 25	22.	3.725	THROTTLE BODY ASM, Frt (Slave Unit)(*1)	17079738
E 13	6.	3.403	STUD, A/Clnr	14037769	E 25	23.	3.725	THROTTLE BODY ASM, Rear (Master Unit)(*1)	17079736
E 27	7.	3.726	GASKET, Throttle Body Inj	14044605	E 27	24.	3.726	COVER KIT, Manif Inlet	17079728
E 9	8.	3.265	MANIFOLD, Int	14044606		25.	N.S.	ROD KIT, W/Bearing, Throttle	
E 14	9.	3.417	STOVE, Eng Air Ht Otr	14045843	E 9	26.	3.163	TUBE KIT, Fuel	17172588
E 16	10.	3.601	MANIFOLD, Exh-LH	14037671	N 13	27.	1.745	GROMMET, C/Case Vent-RH	3589348
E 14	11.	3.417	STOVE, Eng Air Ht Inr	14045844	N 13	27.	1.745	GROMMET, C/Case Vent-LH	3989349
E 17	12.	3.602	GASKET, Exh Manif Ctr	14004091	N 14	28.	1.762	TUBE, C/Case Vent	14045840
E 17	13.	3.602	GASKET, Exh Manif	14004090		29.	8.962	HOSE, Fuel-Oil Evap (Bulk 3/4" ID)	
E 17	14.	3.602	STRAP, Exh Manif Ht Shld	14023182					
E 17	15.	3.602	SHIELD, Exh Manif Ht	14045850					
E 18	16.	3.613	STUD, C/Ovr Pipe to Manif	483543					
E 16	17.	3.601	MANIFOLD, Exh-RH	14037672					

NOTE 1: For information on components see, Throttle Body Injection Unit illustration.



GM03-124

1982 'Y' THROTTLE BODY INJECTION UNITS (TBI)

- | | |
|--|------|
| 1. METER ASM, Fuel (Incl Fuel Nuts)(Frt)(* 13) | N.S. |
| METER ASM, Fuel (Incl Fuel Nuts)(Rr)(* 14) | N.S. |
| COVER & PRESSURE REGULATOR, Fuel Meter (Rr)(* 18) | N.S. |
| COVER & ACCUMULATOR, Fuel Meter (Frt)(* 17) | N.S. |
| 2. SCREW ASM, Fuel Meter (Long)(* 9) | N.S. |
| 3. SCREW ASM, Fuel Meter (Short)(* 9) | N.S. |
| 4. GASKET, Fuel Meter Cover (* 4,5,15,16,17,18,19,20) | N.S. |
| 5. GASKET, Fuel Meter Outlet (* 4,5,15,16,17,18,19,20) | N.S. |
| 6. SEAL, Press Reg Dust (Rr)(* 4,5,15,16) | N.S. |
| 7. INJECTOR, Fuel (Frt)(* 19) | N.S. |
| INJECTOR, Fuel (Rr)(20) | N.S. |
| 8. FILTER, Fuel Injector (* 5,15,16) | N.S. |
| 9. SEAL, Injector "O" Ring-Small (* 4,5,15,16,19,20) | N.S. |
| 10. SEAL, Injector "O" Ring-Large (* 4,5,15,16,19,20) | N.S. |
| 11. WASHER, Fuel Injector Back Up (* 4,5,15,16,19,20) | N.S. |
| 12. TUBE ASM, Fuel (* 7) | N.S. |
| 13. NUT, Fuel Inlet (Rr)(* 22) | N.S. |
| 14. GASKET, Fuel Nut (2 Req)(* 4,5,15,16,21,22) | N.S. |
| 15. NUT, Fuel Return (Rr)(* 22) | N.S. |
| 16. NUT, Fuel Return (Frt)(* 21) | N.S. |
| 17. NUT, Fuel Inlet (Frt)(* 21) | N.S. |
| 18. BODY ASM, Fuel Meter (Frt)(* 15) | N.S. |
| BODY ASM, Fuel Meter (Rr)(* 16) | N.S. |
| 19. SCREW ASM, Body Attach (3 Req)(* 9) | N.S. |

1982 'Y' THROTTLE BODY INJECTION UNITS (TBI)

20. GASKET, Fuel Meter Body (*4,13,14)	N.S.
21. CLIP, Throttle Rod Ret (Fr)(*2,3,4,6,8,9,23,24)	N.S.
22. ROD, W/Bearing, Throttle	N.S.
23. BODY ASM, Throttle (Fr)(*23)	N.S.
BODY & ROD ASM, Throttle Body (Rr)(*24)	N.S.
24. BOLT, TBI Attach-Short (*10)	N.S.
25. BOLT, TBI Attach-Long (*10)	N.S.
26. STUD, TBI & Air Cleaner Attach (*10)	N.S.
27. GASKET, TBI Mounting (*2,3,4)	N.S.
28. CAP, Tube (*4)	N.S.
29. SENSOR, Throttle Position (TPS)(Rr)(*11)	N.S.
30. SCREW, TPS Attach (2)(Rr)(*9,11)	N.S.
31. WASHER, TPS Screw (2)(Rr)(*9,11)	N.S.
32. RETAINER, TPS (2)(Rr)(*9,11)	N.S.
33. SCREW, TPS Lever Attach (Rr)	N.S.
34. LEVER, TPS (Rr)	N.S.
35. CONTROL ASM, Idle Air (IAC)(*12)	N.S.
36. GASKET, IAC Asm (*4,12)	N.S.
37. SCREW, Throttle Stop (*9)	N.S.
38. SPRING, Throttle Stop Screw (*9)	N.S.
39. SCREW, Throttle Synchronizing (Fr)(*2,3,4,6,8,9,23,24)	N.S.
40. COLLER, Throttle Synch Screw (Fr)(Not Req)	N.S.
41. COVER, Inlet Manifold (*6)	N.S.
42. GASKET, Inlet Manifold Cover (*6)	N.S.
43. TUBE, Throttle Bore (Swirl Plate)	N.S.

All service parts are common between the Front & Rear TBI units except those indicated Front (Fr) or Rear (Rr). Rear unit exploded view is typical illustration.

NOTE 1: Group 3.725 THROTTLE BODY INJECTION (Complete Service)

NOTE 2: Group 3.725 THROTTLE BODY INJECTION-Front

NOTE 3: Group 3.725 THROTTLE BODY INJECTION-Rear

NOTE 4: Group 3.724 GASKET KIT

NOTE 5: Group 3.774 FILTER KIT, Fuel Injector Nozzle

NOTE 6: Group 3.726 COVER KIT, Manifold Inlet

NOTE 7: Group 3.163 TUBE KIT, Fuel

NOTE 8: Group 3.724 SCREW KIT, Throttle Synchronizing

NOTE 9: Group 3.724 FASTENER ASSORTMENT KIT

NOTE 10: Group 3.724 FASTENER KIT, Manifold Cover Attaching

NOTE 11: Group 3.440 SENSOR KIT, Throttle Position

NOTE 12: Group 3.920 CONTROL KIT, Idle Air Valve

NOTE 13: Group 3.734 FUEL METER KIT

NOTE 14: Group 3.734 FUEL METER KIT

NOTE 15: Group 3.734 FUEL METER BODY KIT

NOTE 16: Group 3.734 FUEL METER BODY KIT

NOTE 17: Group 3.734 ACCUMULATOR KIT, Pressure Front

NOTE 18: Group 3.734 REGULATOR KIT, Pressure Rear

NOTE 19: Group 3.774 FUEL INJECTOR KIT

NOTE 20: Group 3.774 FUEL INJECTOR KIT

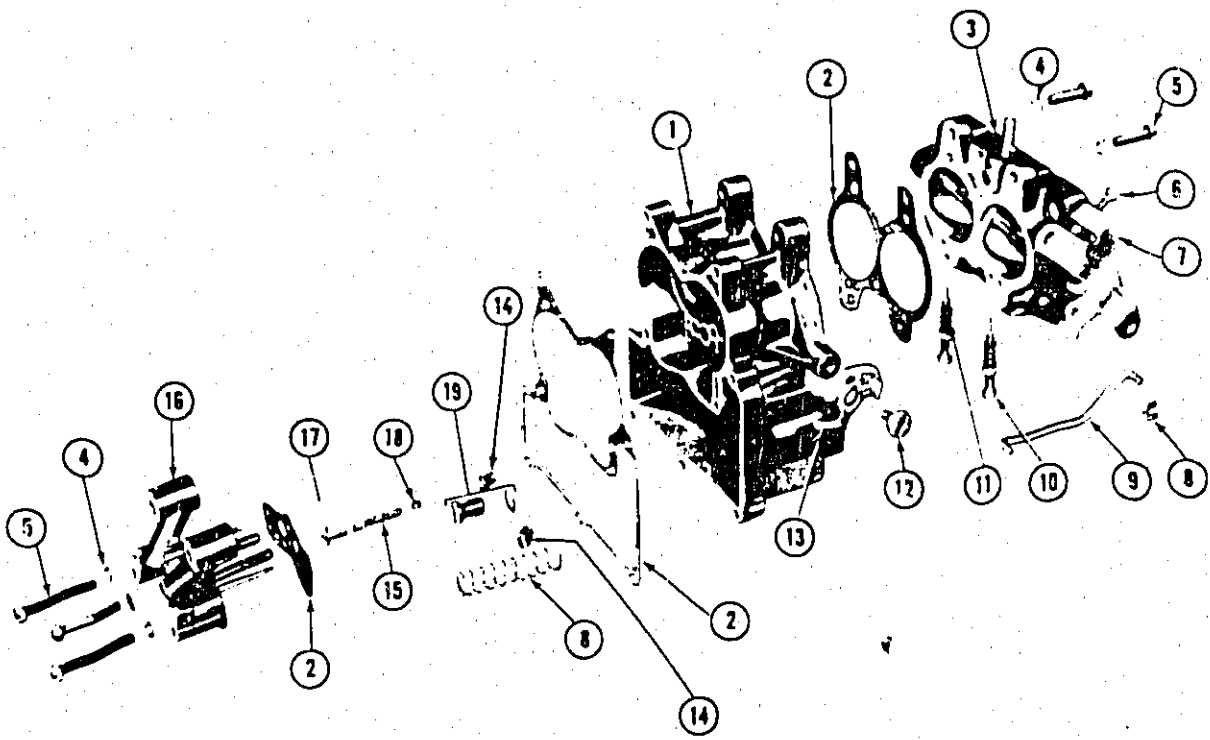
NOTE 21: Group 3.724 FUEL INLET & OUTLET KIT-Front

NOTE 22: Group 3.724 FUEL INLET & OUTLET KIT-Rear

NOTE 23: Group 3.729 BODY KIT, Throttle-Front

NOTE 24: Group 3.729 THROTTLE BODY, W/ROD ASM-Rear

V3-58



V3-58

1955-69 ROCHESTER 2 BBL. CARBURETOR-THROTTLE BODY AND BOWL

F 2	1. BOWL	3.734
	2. GASKET, Part of UNIT 3.724	N.S.
E 27	3. BODY	3.729
	4. WASHER, Lock	8.931
	5. BOLT	8.907
F 6	6. SCREW	3.761
	7. LEVER	N.S.
F 10	8. SPRING	3.841
F 10	9. LINK	3.843
F 9	10. SCREW	3.822
F 9	11. SPRING	3.823
F 7	12. SCREW	3.767
F 6	13. CAM	3.766
F 7	14. JET	3.792
F 9	15. SPRING	3.825
F 7	16. VENTURI	3.786
F 9	17. GUIDE	3.825
F 9	18. BALL	3.825
F 10	19. VALVE UNIT	3.858

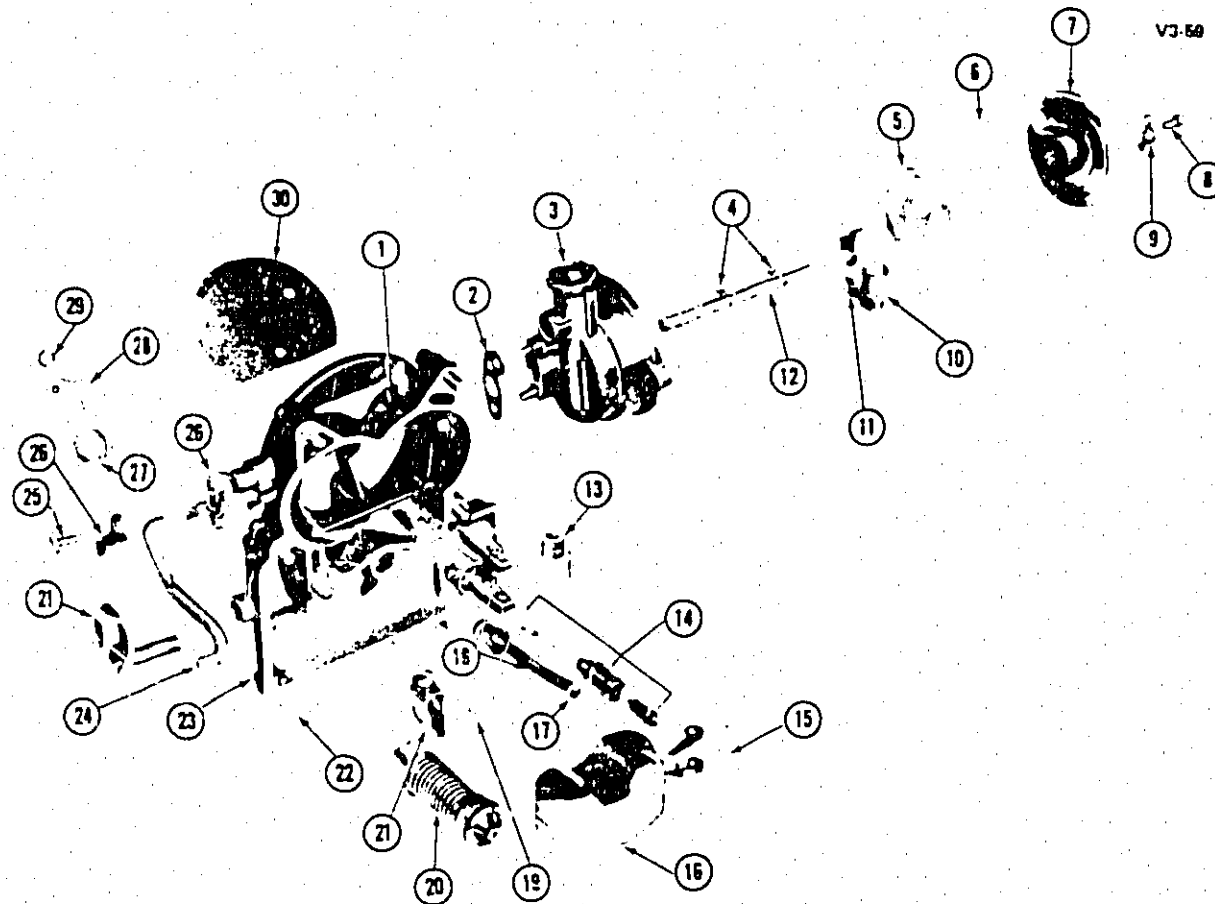
MICROFICHE INDEX

GROUP 3.000

FICHE 2 OF 6

<u>GROUP DESCRIPTION</u>	<u>STARTING GRID LOCATION</u>	
	<u>PARTS</u>	<u>ILLUSTRATIONS</u>
- INTRODUCTION	A-6	I-2
- GENERAL INFORMATION	A-2	I-2
- ALPHABETICAL INDEX	C-11	N.A.
- INDEX FOR ADDITIONAL INFORMATION	A-5	N.A.
3.000 FUEL - EXHAUST - CARBURETION	E-2	I-6
- CARBURETOR CHARTS	F-20	N.A.
- OUT OF FICHE CALLS	N.A.	N-9

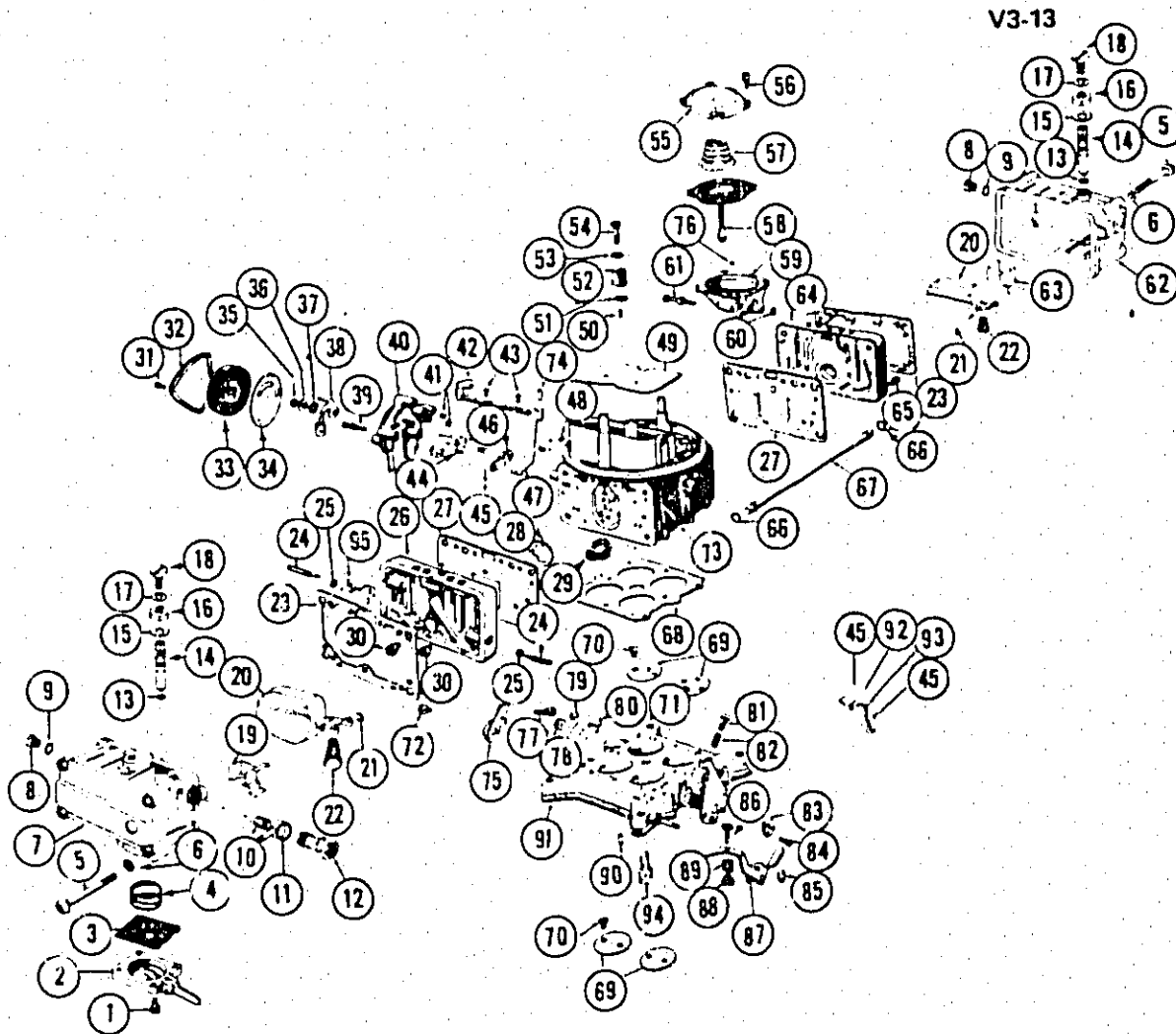
K-1



V3-59

1955-69 ROCHESTER 2 BBL. CARBURETOR-HORN AND CHOKE

F 2	1. HORN	3.730	F 3	16. FLOAT	3.745
F 3	2. GASKET	3.750	F 10	17. PISTON	3.858
F 3	3. HOUSING	3.750	F 11	18. SPRING	3.859
F 4	4. SCREW	3.751	F 10	19. SPRING	3.841
F 3	5. PLATE	3.750	F 9	20. PLUNGER	3.838
F 3	6. GASKET	3.750	F 10	21. LEVER	3.842
F 3	7. COVER	3.750	F 2	22. BOLT	3.730
F 3	8. SCREW	8.907		23. WASHER, Lock	8.931
F 3	9. RETAINER	3.750	F 4	24. ROD	3.752
F 4	10. PISTON	3.752		25. BOLT	8.907
F 4	11. PIN	3.752	F 4	26. LEVER	3.752
F 4	12. SHAFT	3.752		27. SPRING (Cab Over Engine)	3.753
F 2	13. CONNECTOR	3.740	F 4	28. LEVER (Cab Over Engine)	3.752
F 8	14. NEEDLE UNIT	3.814	F 4	29. RETAINER (Cab Over Engine)	3.752
F 3	15. PIN	3.747	F 4	30. VALVE	3.751



V3-13

1964-72 HOLLEY 4 BBL. CARBURETOR

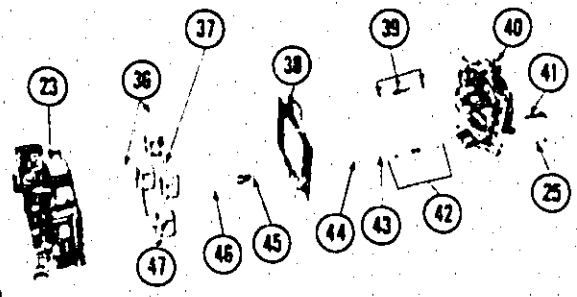
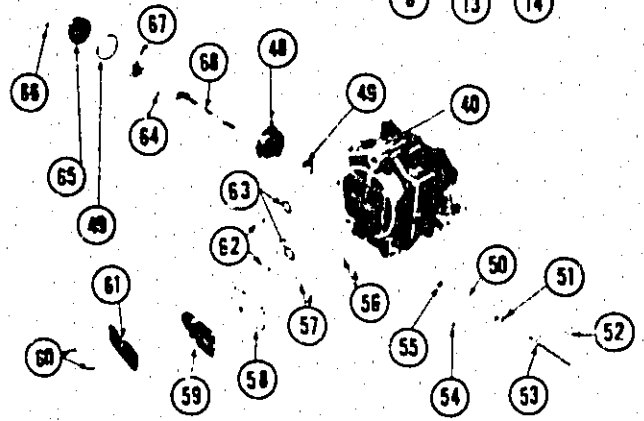
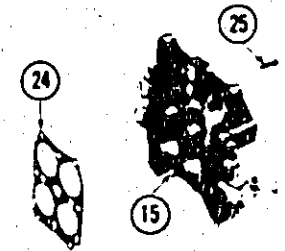
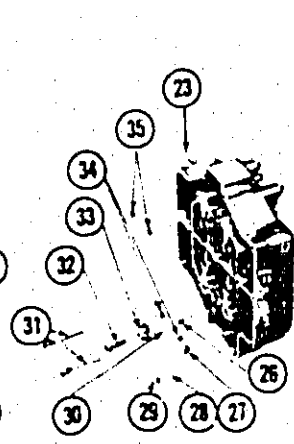
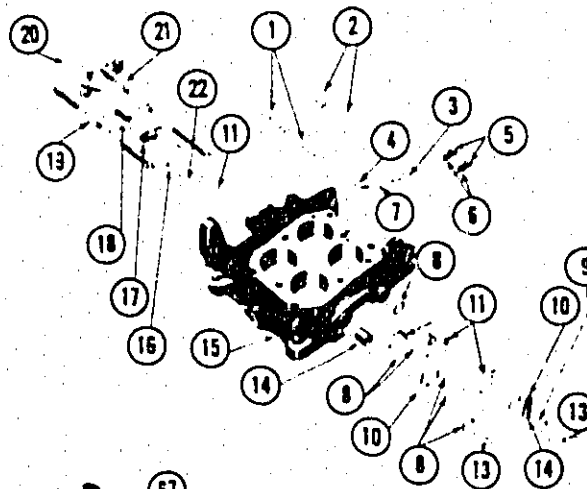
1964-72 HOLLEY 4 BBL. CARBURETOR

F 9	1. SCREW, Pump Cover	3.838	49. PLATE, Choke	N.S.
F 9	2. COVER ASM, Fuel Pump	3.838	F 10 50. VALVE, Pump Discharge Needle	3.858
F 9	3. DIAPHRAGM ASM	3.838	51. GASKET, Part of Kit	N.S.
F 10	4. SPRING, Diaphragm Return	3.841	F 7 52. NOZZLE, Pump Discharge	3.774
F 2	5. SCREW, Bowl to Body	3.730	53. GASKET, Part of Kit	N.S.
	6. GASKET, Part of Kit	N.S.	F 10 54. SCREW, Pump Discharge Nozzle	3.841
F 2	7. BOWL, Fuel W/Plugs (Primary)	3.734	F 10 55. COVER, Diaphragm Housing	
F 3	8. PLUG, Fuel Level Check	3.747	(Secondary)	3.858
	9. GASKET, Part of Kit	N.S.	F 5 56. SCREW, Diaphragm Cover Asm	
F 2	10. SCREEN, Filter	3.740	(Secondary)	3.755
F 2	11. TUBE	3.740	F 11 57. SPRING, Diaphragm (Secondary)	3.859
F 2	12. FITTING, Fuel Inlet	3.740	F 6 58. DIAPHRAGM & ROD ASM,	
	13. SEAL, "O" Ring, Part of Kit	N.S.	(Secondary)	3.758
F 8	14. NEEDLE UNIT, Float	3.814	F 9 59. HOUSING, Diaphragm (Secondary)	3.838
	15. GASKET, Part of Kit	N.S.	60. GASKET, Part of Kit	N.S.
F 8	16. NUT, Fuel Valve Seat Adjusting	3.814	61. SCREW, Diaphragm Housing Asm	
	17. GASKET, Part of Kit	N.S.	(#8-32 x 1")	8.907
F 8	18. SCREW, Fuel Valve Seat Lock	3.814	F 2 62. BOWL ASM, Fuel W/Plugs (Secondary)	3.734
F 3	19. PLATE, Primary Baffle	3.750	63. PLATE, Baffle (Secondary)	N.S.
F 3	20. FLOAT ASM	3.745	F 2 64. BODY ASM, Main Metering W/Plugs	
	21. RETAINER	8.934	(Secondary)	3.734
F 3	22. SPRING, Float	3.747	F 7 65. JET, Main (Secondary)	3.792
	23. GASKET, Part of Kits	N.S.	66. SEAL, Part of Kit	N.S.
F 9	24. SCREW, Idle Adjusting	3.822	F 2 67. PIPE, Fuel Line	3.740
	25. SEAL, Part of Kit	N.S.	68. GASKET, Part of Kit	N.S.
F 2	26. BODY, Main Metering W/Plugs		69. PLATE, Throttle (Primary & Secondary)	N.S.
	(Primary)	3.734	F 6 70. SCREW, Throttle Plate	3.761
	27. GASKET, Part of Kit	N.S.	E 27 71. BODY ASM, Throttle W/Shaft	3.729
	28. GASKET, Part of Kit	N.S.	72. SCREW (#10-32 x 5/16")	8.913
F 10	29. VALVE ASM, Power	3.858	73. AIR HORN, Carburetor	N.S.
F 7	30. JET, Main (Secondary)	3.792	F 4 74. RETAINER, Choke Rod	3.752
	31. SCREW, Thermostat Housing Clamp		F 6 75. LEVER, Fast Idle Cam	3.766
	(#8-32 x 7/16")	8.907	76. BALL, Part of Kit	N.S.
	32. CLAMP, Thermostat Housing	N.S.	F 7 77. SCREW, Fast Idle Cam Lever Adjusting	3.767
F 3	33. HOUSING ASM, Thermostat	3.750	78. SCREW	N.S.
	34. GASKET, Part of Kit	N.S.	79. RETAINER, Diaphragm Link (Secondary)	8.934
	35. NUT, Choke Thermostat Shaft (#8-36)	8.915	F 10 80. LEVER ASM, Diaphragm	3.858
	36. WASHER, Lock, Choke Shaft Nut (#8)	8.932	81. SCREW, Throttle Stop (#10-32 x 1")	8.907
F 4	37. SPACER, Choke Thermostat Lever	3.752	F 6 82. SPRING, Throttle Stop Screw	3.761
F 4	38. LINK & PISTON ASM, Choke		F 10 83. CAM, Pump	3.842
	Thermostat Lever	3.752	F 10 84. SCREW, Pump Cam Lock	3.841
F 3	39. SCREW, Choke Housing	3.750	F 10 85. RETAINER, Pump Operating Lever	3.841
F 3	40. HOUSING ASM, Choke W/Plugs	3.750	F 10 86. SCREW, Pump Lever Adjusting	3.842
	41. GASKET, Part of Kit	N.S.	F 10 87. LEVER, Pump Operating	3.842
F 4	42. SHAFT ASM, Choke	3.752	F 10 88. FITTING, Pump Lever Adjusting	3.842
F 4	43. SCREW, Valve	3.751	F 10 89. SPRING, Pump Lever Adjusting	3.841
F 6	44. CAM ASM, Fast Idle	3.766	F 9 90. SCREW, Diaphragm Lever Adjusting	3.838
	45. PIN, "C", Throttle Connecting Rod		91. GASKET, Part of Kit	N.S.
	(3/64" x 1/2")	8.938	F 6 92. WASHER, Throttle Connecting Rod	3.761
F 4	46. SHAFT ASM, Choke Housing W/Lever	3.752	F 6 93. ROD, Throttle Connecting	3.762
F 4	47. ROD, Choke	3.752	F 3 94. SCREW, Throttle Body	3.741
F 4	48. SEAL, Choke Rod	3.752	F 10 95. BAFFLE, Metering Body Vent	3.852

V3-57

THROTTLE BODY COMPONENTS

THROTTLE BODY AND FLOAT BOWL COMPONENTS



AIR HORN—UPPER COMPONENTS

AIR HORN—LOWER COMPONENTS

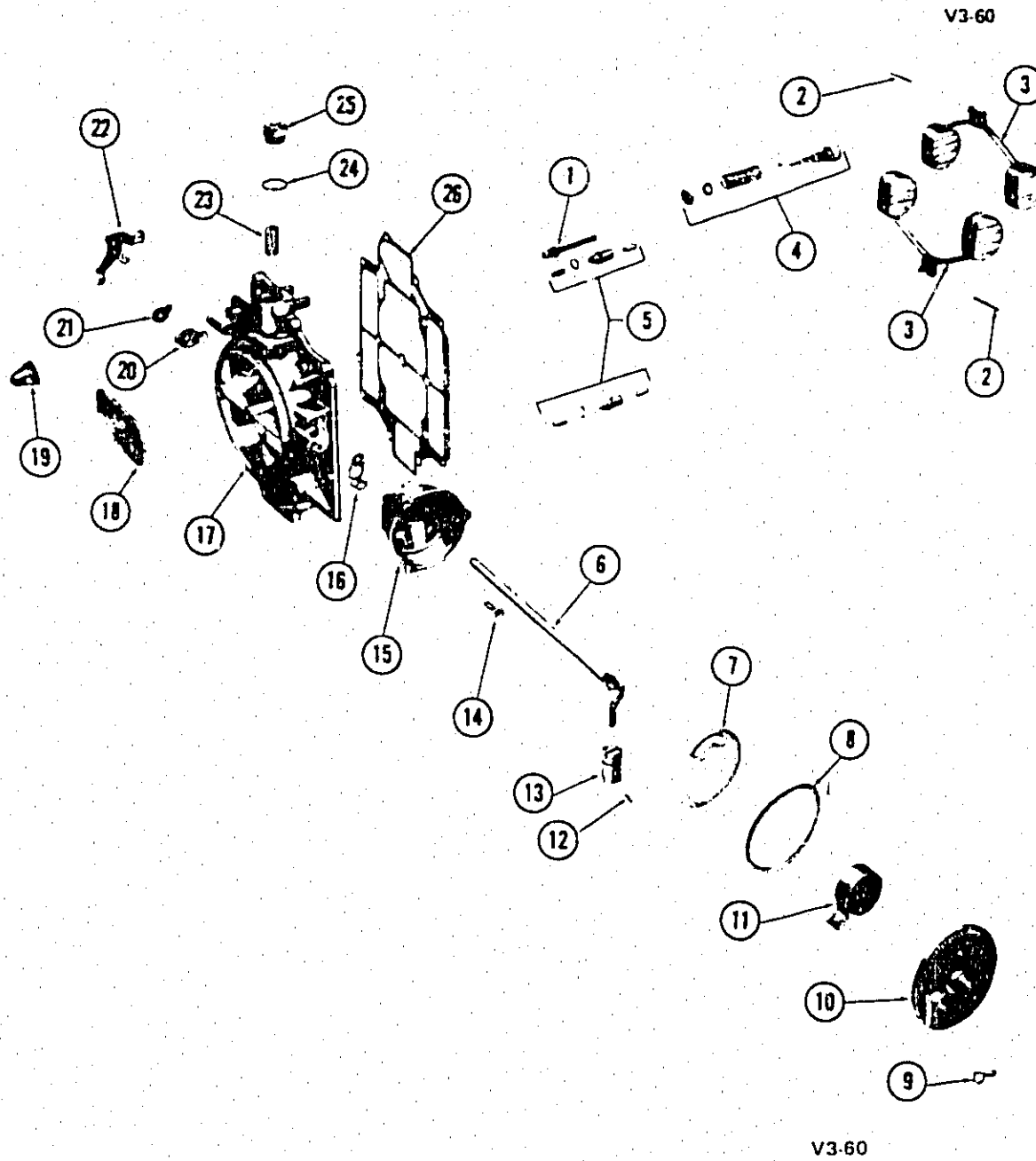
V3-57

1955 ROCHESTER 4 BBL. CARBURETOR

V357

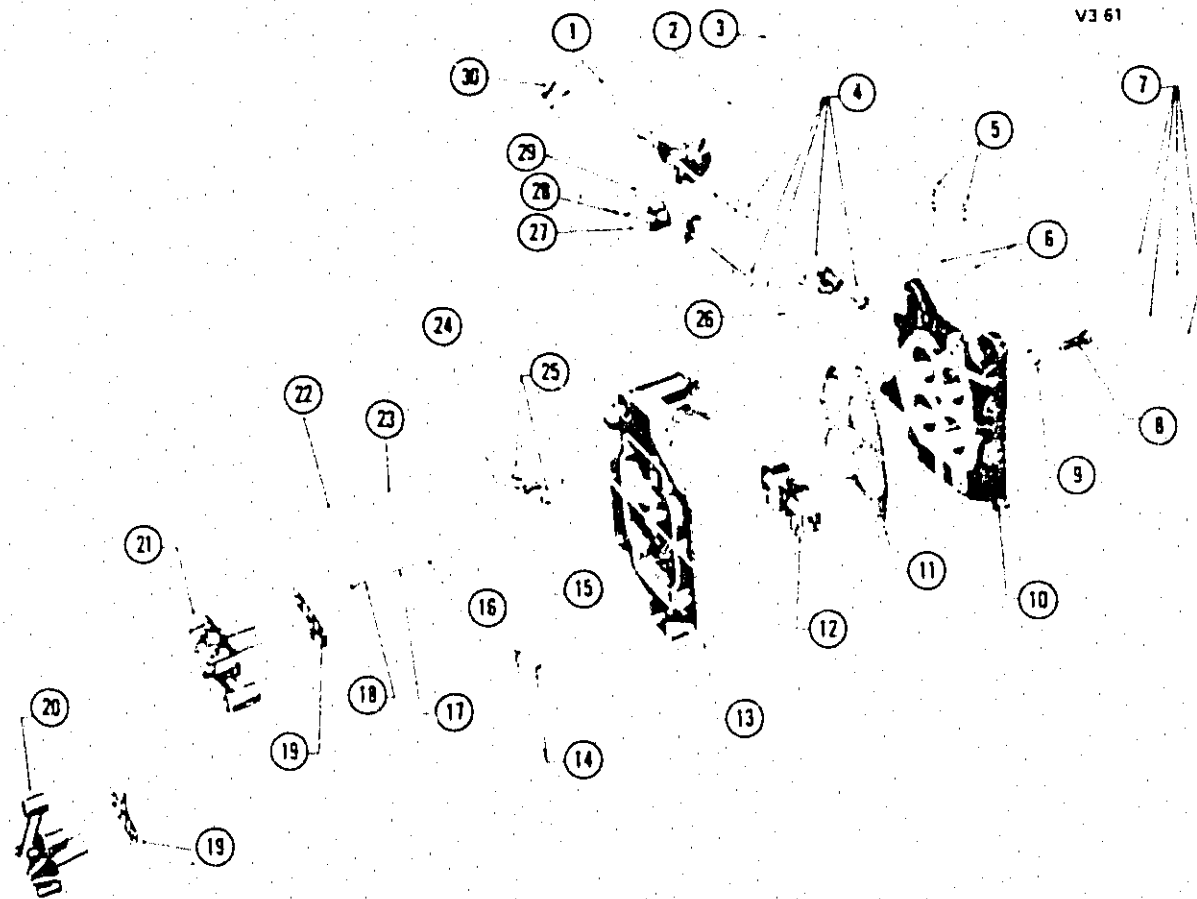
1955 ROCHESTER 4 BBL. CARBURETOR

F 6	1. VALVE (Secondary)	3.758	F 7	34. JETS	3.792
F 6	2. VALVE (Primary)	3.758	F 7	35. JETS (Secondary)	3.792
F 6	3. SCREW	3.761	F 3	36. PINS	3.747
F 6	4. SPRING	3.761	F 3	37. FLOAT (Secondary)	3.745
F 9	5. SCREW	3.822	F 2	38. GASKET	3.738
F 9	6. SPRING	3.823	F 8	39. NEEDLE UNIT (Secondary)	3.814
	7. WASHER	8.931	F 2	40. HORN ASM	3.730
F 6	8. WASHER	3.762	F 10	41. LINK	3.858
F 6	9. WASHER	3.759	F 8	42. NEEDLE UNIT (Primary)	3.814
F 6	10. LEVER	3.762	F 10	43. PISTON	3.858
F 6	11. ARM	3.762	F 11	44. SPRING	3.859
F 6	12. ROD	3.762	F 9	45. PLUNGER	3.838
F 6	13. SCREW	3.762		46. Part of 3.838 PLUNGER	N.S.
F 6	14. SPRING	3.763	F 3	47. FLOAT (Primary)	3.745
E 27	15. BODY	3.729	F 3	48. HOUSING	3.750
F 4	16. LEVER	3.752	F 3	49. GASKET	3.750
F 6	17. CAM	3.766		50. ARM	3.456
F 7	18. SCREW	3.767	F 10	51. ARM	3.845
F 6	19. SHAFT (Secondary)	3.759	F 6	52. LEVER	3.766
F 4	20. ROD	3.752	F 10	53. LEVER	3.842
F 6	21. SHAFT (Primary)	3.759		54. SCREW	3.456
F 10	22. SPRING	3.841		55. ARM	3.817
	23. BOWL (Part of 3.725 CARBURETOR ASM)	N.S.	F 8	56. DISKS	3.811
F 2	24. GASKET	3.738	F 7	57. RODS	3.806
F 3	25. BOLT	3.741	F 2	58. GASKET	3.732
F 9	26. NEEDLE	3.825	F 2	59. COVER	3.732
F 7	27. PLUG	3.775	F 4	60. SCREW	3.751
F 9	28. BALL	3.826	F 4	61. VALVE	3.751
F 9	29. RETAINER	3.826	F 2	62. NUTS	3.740
	30. GASKET	N.S.	F 2	63. GASKET	3.740
F 7	31. JETS	3.792	F 3	64. SCREW	3.750
F 10	32. SCREW	3.844	F 3	65. COVER	3.750
F 10	33. HOUSING	3.858	F 3	66. RETAINER & SCREW	3.750
			F 3	67. PLATE	3.750
			F 4	68. SHAFT	3.752



1956-69 ROCHESTER 4 BBL. CARBURETOR AIR HORN ASM.

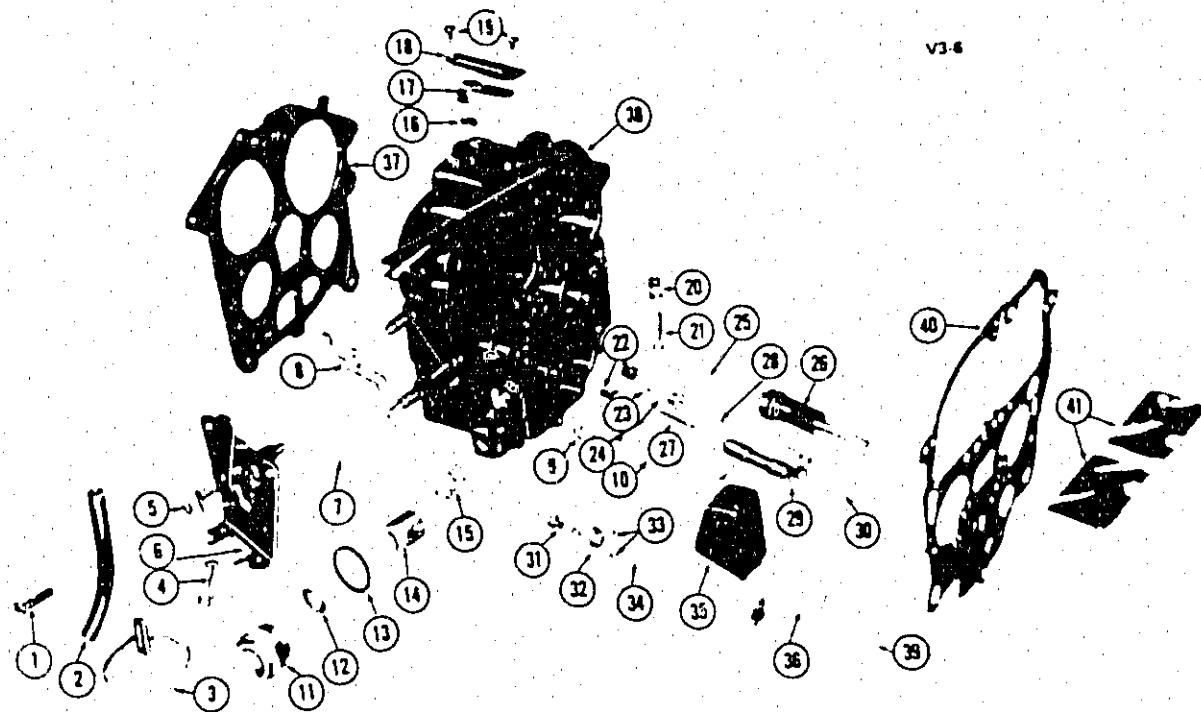
F 10	1. POWER PISTON	3.858	F 3	14. SCREW	3.750
F 3	2. PIN	3.747	F 3	15. HOUSING	3.750
F 3	3. FLOAT	3.745	F 3	16. GASKET	3.750
F 9	4. PLUNGER ASM	3.838	F 2	17. AIR HORN ASM	3.730
F 8	5. NEEDLE UNIT	3.814	F 4	18. VALVE	3.751
F 4	6. SHAFT	3.752	F 9	19. BOOT	3.838
F 3	7. PLATE	3.750	F 4	20. LEVER	3.752
F 3	8. GASKET	3.750	F 4	21. TRIP LEVER	3.752
F 3	9. RETAINER	3.750	F 10	22. PUMP LEVER ASM	3.842
F 3	10. COVER ASM	3.750	F 2	23. STRAINER	3.740
	11. Part of 3.750 COVER ASM	N.S.	F 2	24. GASKET	3.740
F 4	12. PIN	3.752	F 2	25. NUT	3.740
F 4	13. PISTON	3.752	F 2	26. GASKET	3.738



V3-61

1956-69 ROCHESTER 4 EBL CARBURETOR THROTTLE BODY AND BOWL

F 10	1. PUMP ROD	3.843	F 9	16. BALL	3.825
F 6	2. SPRING	3.766	F 9	17. SPRING	3.825
F 6	3. SCREW	3.766	F 9	18. GUIDE	3.825
	4. Part of 3.729 BODY ASM	N.S.	F 7	19. GASKET	3.790
F 9	5. SCREW	3.822	F 7	20. VENTURI (Secondary)	3.786
F 9	6. SPRING	3.823	F 7	21. VENTURI (Primary)	3.786
	7. Part of 3.729 BODY ASM	N.S.	F 10	22. SPRING	3.841
F 3	8. BOLT	3.741	F 9	23. BALL	3.826
	9. WASHER	8.931	F 10	24. VALVE UNIT	3.858
E 27	10. BODY ASM	3.729	F 7	25. JETS (Primary)	3.752
F 2	11. GASKET	3.725	F 6	26. LINK	3.762
E 27	12. AUX THROTTLE VALVE ASM	3.729	F 6	27. CAM	3.766
F 2	13. BOWL ASM	3.734	F 7	28. SCREW	3.767
F 7	14. JETS (Secondary)	3.792	F 5	29. CHOKE ROD	3.755
E 16	15. GASKET	3.463	F 10	30. CLIP	3.842



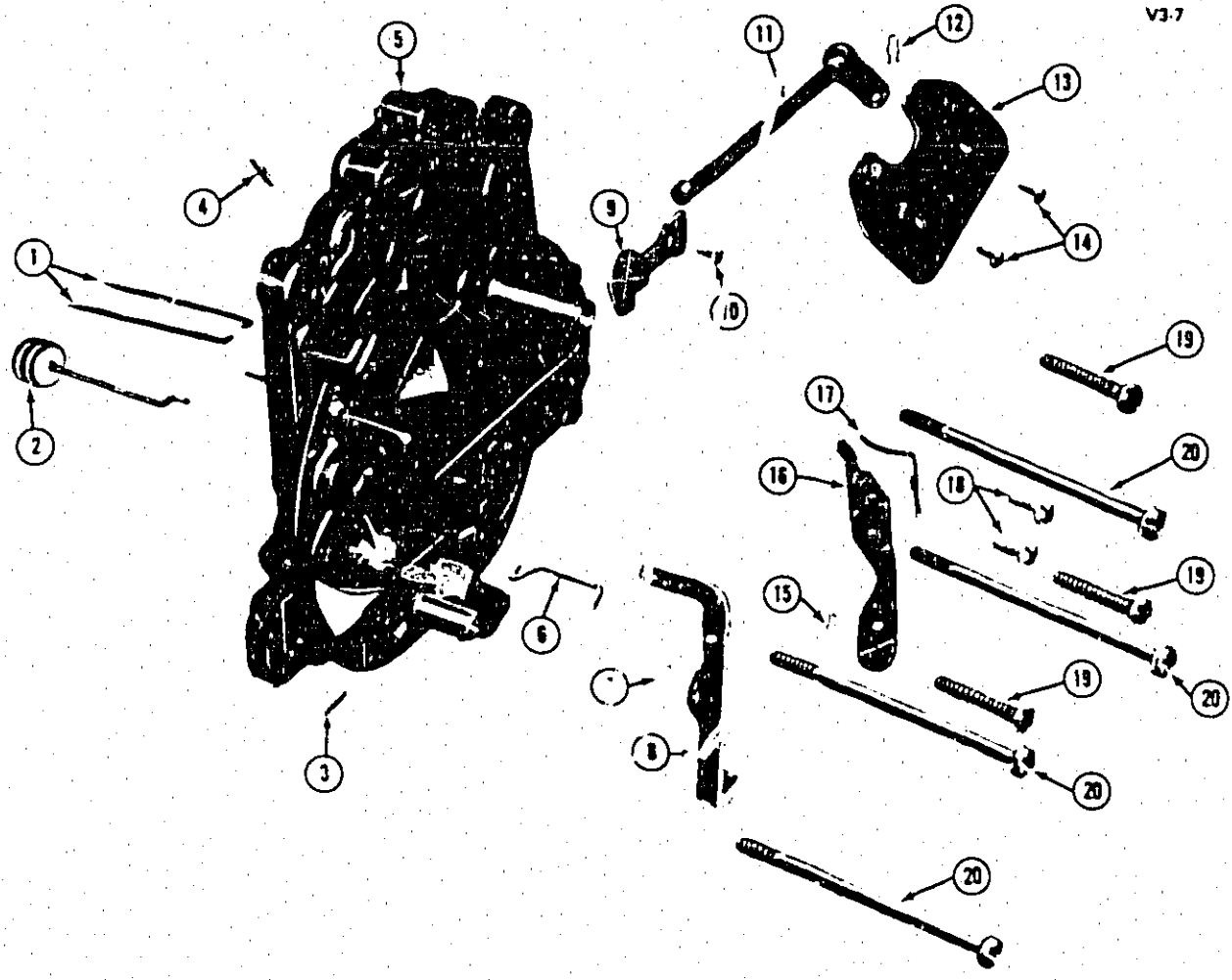
V3-6

V3-6

ROCHESTER 4 BBL. (QUADRAJET) FLOAT BOWL PARTS

F 4	1. SCREW	3.752	F 7	22. JET	3.792
F 5	2. HOSE	3.755	F 9	23. BALL	3.825
F 5	3. CONTROL ASM	3.755	F 9	24. RETAINER	3.826
F 5	4. ROD	3.755	F 10	25. SPRING	3.841
	5. CLIP	N.S.	F 9	26. PUMP	3.838
F 6	6. BRACKET ASM	3.765	F 11	27. SPRING	3.859
F 6	7. CAM	3.766	F 7	28. METERING ROD	3.806
F 4	8. LEVER	3.752	F 10	29. POWER PISTON ASM	3.858
F 4	9. LEVER	3.752	F 8	30. SPRING	3.810
F 4	10. ROD	3.752	F 8	31. FLOAT NEEDLE and DIAPHRAGM ASM	3.814
F 2	11. NUT	3.740	F 8	32. RETAINER	3.814
F 2	12. GASKET	3.740	F 8	33. SCREW	3.814
F 2	13. GASKET	3.740	F 2	34. CLIP	3.740
F 2	14. FILTER	3.740	F 2	35. FLOAT ASM	3.734
F 2	15. SPRING	3.740	F 3	36. PIN	3.747
	16. GASKET, Part of Gasket Kit	N.S.		37. Part of Gasket Unit	N.S.
F 9	17. IDLER COMPENSATOR ASM	3.820	F 2	38. FLOAT BOWL ASM	3.734
F 9	18. COVER	3.820	F 2	39. INSERT	3.734
F 9	19. SCREW	3.820		40. Part of Gasket Unit	N.S.
	20. SPRING	N.S.	F 2	41. BAFFLE	3.740
F 6	21. SCREW	3.761			

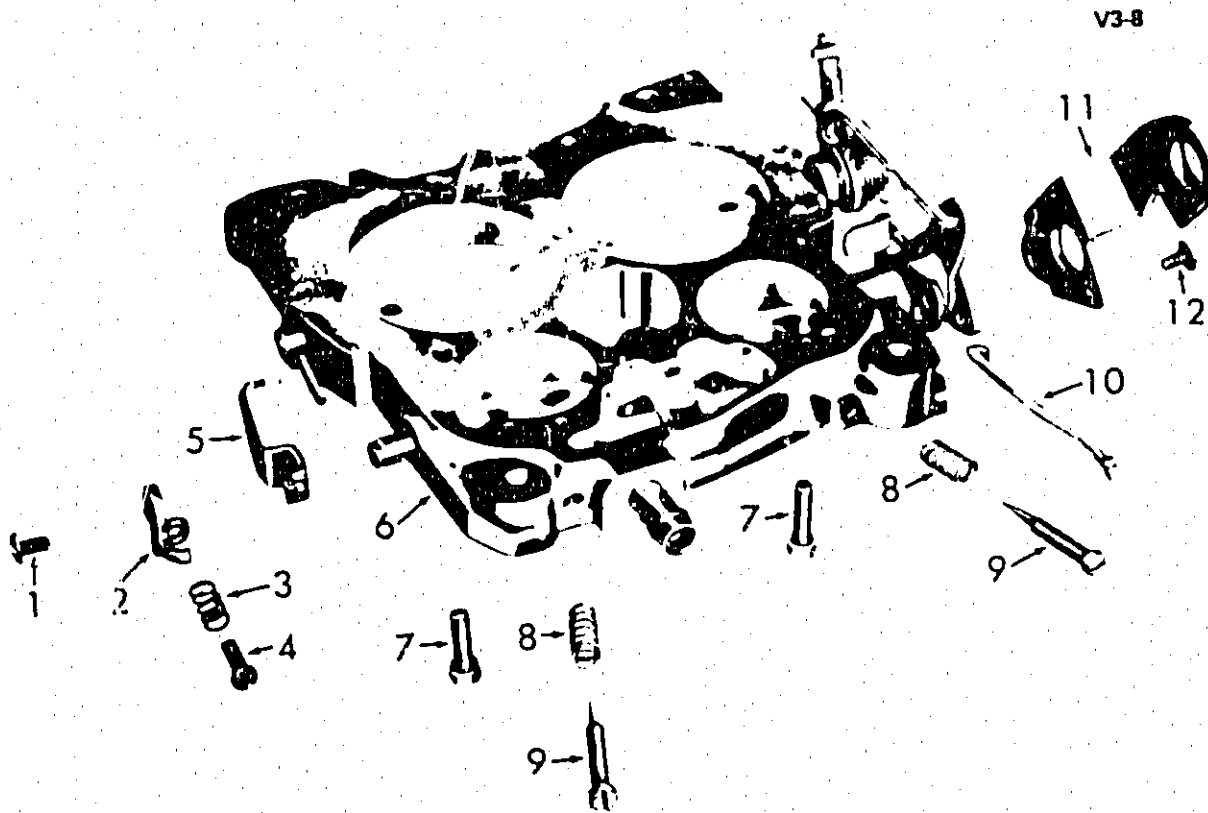
V3-7



V3-7

ROCHESTER 4 BBL. (QUADRAJET) AIR HORN PARTS

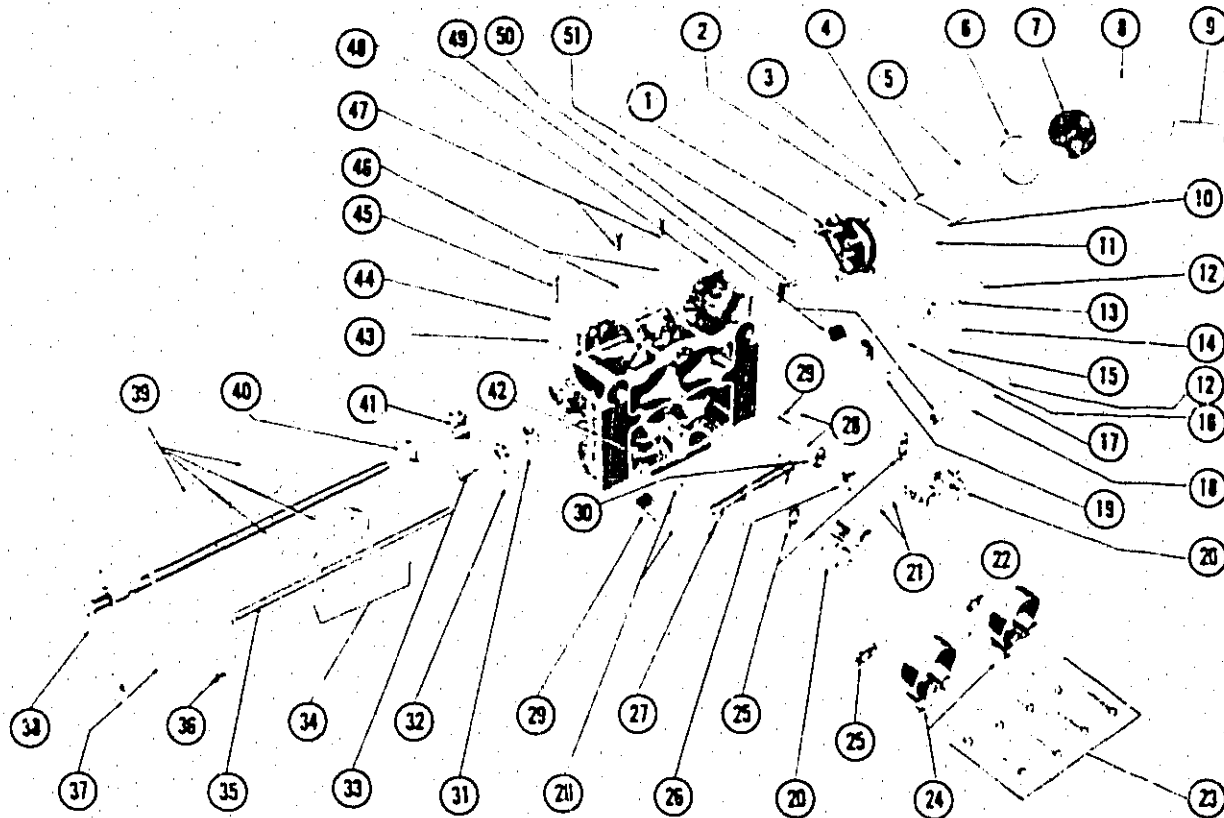
F 7	1. ROD, Secondary	3.806
E 15	2. VALVE	3.440
E 15	3. PIN	3.440
E 15	4. PIN	3.440
F 2	5. HORN ASM	3.730
F 4	6. ROD	3.752
	7. SPRING	8.934
E 15	8. LEVER	3.440
F 10	9. VALVE	3.872
F 10	10. SCREW	3.852
F 4	11. SHAFT AND LEVER ASM	3.752
	12. SPRING	C.934
F 4	13. VALVE	3.751
F 4	14. SCREW	3.751
	15. SPRING	8.934
F 10	16. LEVER	3.842
	17. LEVER	N.S.
F 2	18. SCREW (#8-32 x 1/2")	3.730
	19. SCREW (#10-32 x 1 1/8")	8.907
F 2	20. SCREW (#10-32 x 3")	3.730



V3-8

ROCHESTER 4 BBL. (QUADRAJET) THROTTLE BODY PARTS

F 6	1. SCREW	3.762
F 6	2. LEVER, Fast Idle	3.766
F 6	3. SPRING	3.766
F 6	4. SCREW	3.766
F 6	5. LEVER, Cam	3.766
E 27	6. THROTTLE BODY ASM	3.729
F 3	7. SCREW	3.741
F 9	8. SPRING	3.823
F 9	9. NEEDLE	3.822
F 10	10. ROD	3.843
F 6	11. LEVER	3.762
F 6	12. SCREW	3.762

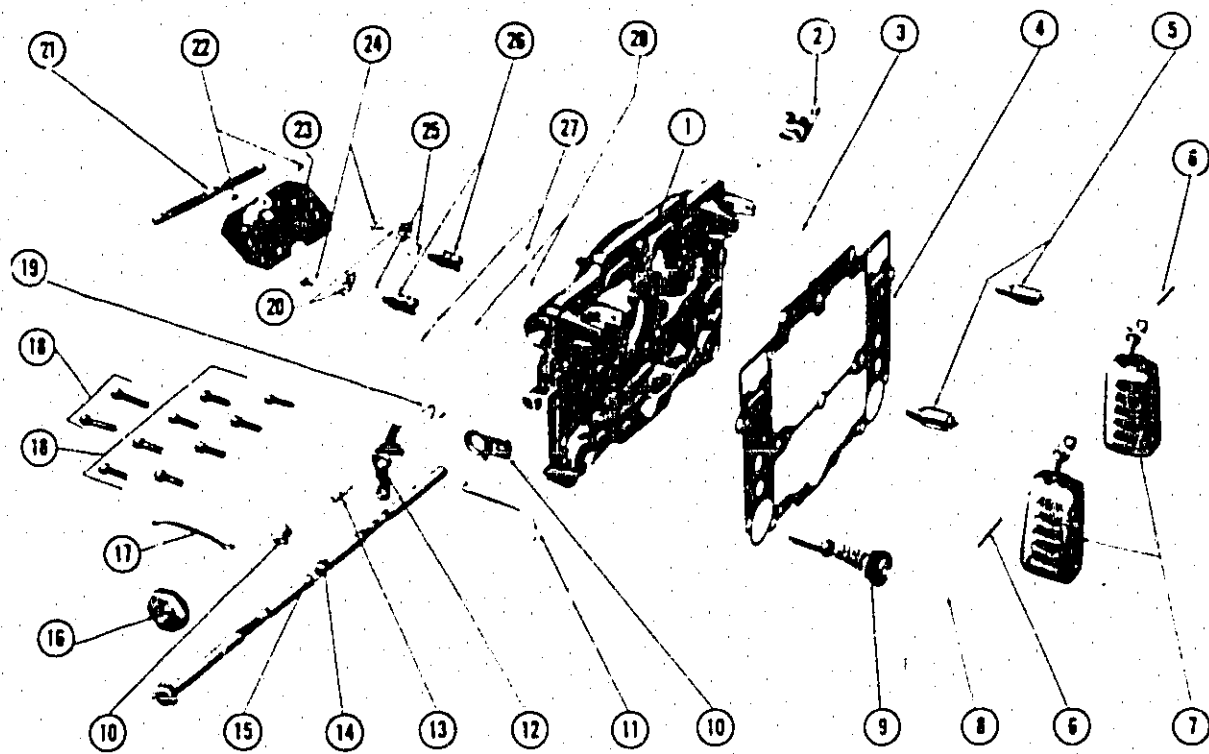


V3-62

1961-70 CARTER 4 BBL. CARBURETOR BOWL

F 3	1. HOUSING ASM	3.750	F 10	26. HOUSING ASM	3.844
F 4	2. PISTON	3.752	F 6	27. VALVE ASM	3.759
F 4	3. PIN	3.752	F 7	28. JET	3.792
F 3	4. SCREW	3.750		29. BAFFLE	N.S.
F 3	5. PLATE	3.750	F 10	30. GASKET	3.844
F 3	6. GASKET	3.750	F 6	31. ARM	3.762
F 3	7. COVER ASM	3.750	F 6	32. CAM ASM	3.766
F 3	8. RETAINER	3.750	F 7	33. SCREW	3.767
	9. SCREW	N.S.	F 6	34. SCREW	3.761
F 4	10. SCREW	3.752	F 6	35. SHAFT ASM	3.759
F 4	11. LEVER ASM	3.752	F 6	36. RETAINER	3.766
F 6	12. SCREW	3.762	F 6	37. ROD	3.762
F 6	13. WASHER	3.762	F 6	38. SHAFT ASM	3.759
F 6	14. LEVER	3.762	F 6	39. VALVE	3.758
F 6	15. ROD	3.762		40. SPRING	3.753
F 6	16. ARM	3.762	F 6	41. LEVER ASM	3.762
F 6	17. WASHER	3.762	F 11	42. BALL	3.862
F 6	18. LEVER	3.762	F 6	43. SPRING	3.761
F 6	19. ARM	3.762	F 6	44. WASHER	3.761
F 7	20. VENTURI	3.786	F 6	45. SCREW	3.761
F 4	21. SCREW	3.752	F 9	46. SPRING	3.823
F 7	22. PLATE	3.780	F 9	47. SCREW	3.822
F 7	23. SCREW ASM	3.786		48. BOWL ASM	N.S.
F 7	24. VENTURI	3.786		49. SPRING	3.753
F 7	25. GASKET	3.790	F 4	50. SHAFT ASM	3.752
			F 3	51. GASKET	3.750

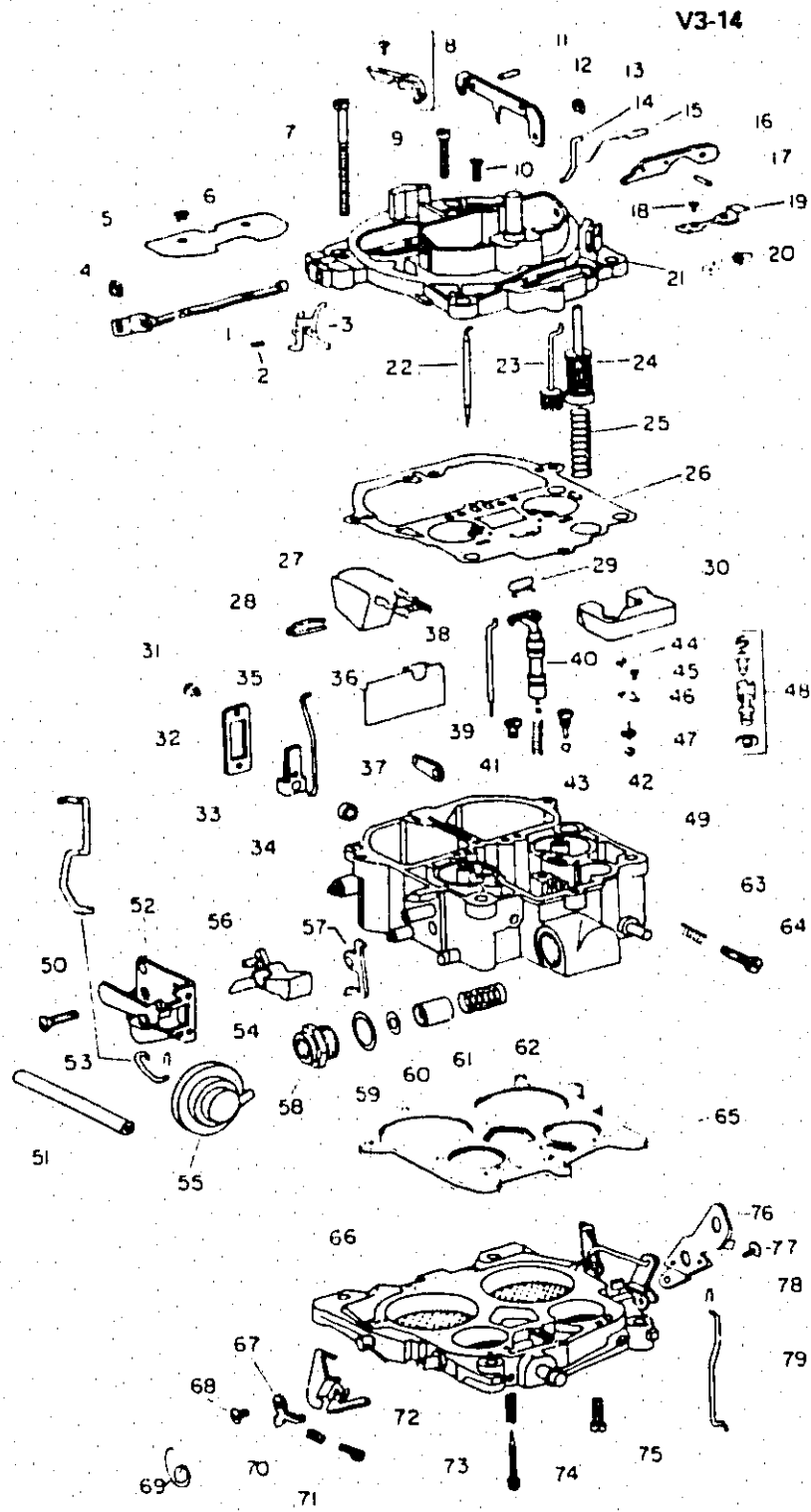
V3-63



V3-63

1961-70 CARTER 4 BBL. CARBURETOR AIR HORN ASM.

F 2	1. HORN ASM	3.730
F 4	2. LEVER ASM	3.752
F 4	3. ROD	3.752
F 2	4. GASKET	3.738
F 8	5. NEEDLE ASM	3.814
F 3	6. PIN	3.747
F 3	7. FLOAT	3.745
F 10	8. SPRING	3.841
F 9	9. PLUNGER ASM	3.838
	10. LEVER	N.S.
F 7	11. ROD	3.768
F 10	12. ARM	3.845
F 9	13. SCREW	3.838
F 6	14. SCREW	3.761
F 4	15. SHAFT ASM	3.752
F 2	16. FITTING UNIT	3.740
F 4	17. CONNECTOR	3.752
F 2	18. SCREW ASM	3.730
F 10	19. LINK	3.843
F 10	20. PLATE	3.858
	21. SHAFT	N.S.
	22. SCREW (#3-48 x 3/16")	N.S.
F 4	23. VALVE ASM	3.751
F 10	24. SCREW ASM	3.858
F 8	25. SPRING	3.810
F 10	26. PISTON	3.858
F 7	27. ROD	3.806
F 11	28. SPRING	3.859



V3-14

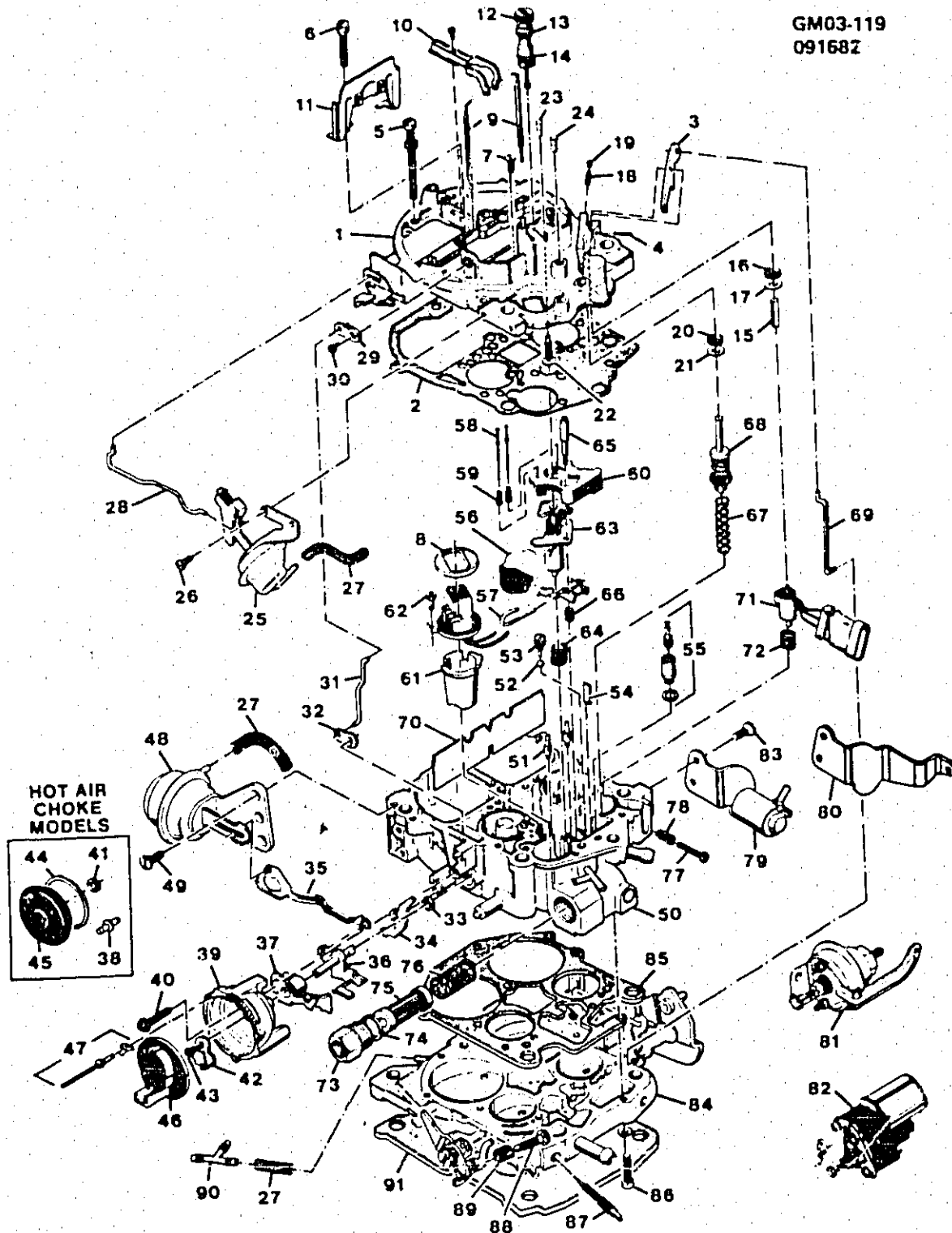
V3-14

ROCHESTER 4 BSL. CARBURETOR

ROCHESTER 4 BBL. CARBURETOR

F 4	1. CHOKE SHAFT AND LEVER KIT	3.751	F 11	41. SPRING, Power Piston	3.859
	2. ROLL PIN, Pump & Lockout Levers	8.940	F 9	42. RETAINER, Pump Discharge Ball	3.826
F 5	3. LOCKOUT LEVER, Air Valve	3.757	F 9	43. BALL, Pump Discharge	3.825
	4. CLIP, Vacuum Brake Rod	8.934		44. Part of Float Bowl Asm	N.S.
F 4	5. CHOKE VALVE KIT	3.751		45. SCREW, Diaphragm Retainer (Part of Float Bowl Asm.)	N.S.
F 4	6. SCREW, Choke Valve	3.751		46. RETAINER, Float Needle Diaphragm (Part of Float Bowl Asm)	N.S.
F 2	7. SCREW, Air Horn	3.730		47. Part of Float Bowl Asm	N.S.
F 7	8. HOLDER KIT, Metering Kit	3.806	F 8	48. NEEDLE & SEAT ASM	3.814
	9. SCREW, Air Horn	8.907	F 2	49. FLOAT BOWL ASM	3.734
F 2	10. SCREW, Air Horn	3.730	F 5	50. SCREW, Vacuum Brake Control	3.755
	11. ROLL PIN, Pump & Lockout Levers	8.940		51. HOSE, Vacuum	8.962
	12. Part of Air Horn Asm	N.S.	F 3	52. BRACKET ASM, Vacuum Brake Control	3.750
	13. CLIP, Vacuum Brake Rod	8.934	F 5	53. ROD, Vacuum Brake	3.755
	14. Part of Air Horn Asm	N.S.		54. RETAINER SPRING	8.934
	15. Part of Idle Vent Valve Kit	N.S.	F 5	55. VACUUM BRAKE CONTROL ASM	3.755
F 10	16. LEVER, Pump Actuating	3.842	F 6	56. CAM, Fast Idle	3.766
	17. ROLL PIN, Pump & Lockout Levers	8.940	F 4	57. LOCKOUT LEVER, Secondary	3.752
F 10	18. SCREW, Idle Vent Valve (Part of Idle Vent Valve Kit)	3.852	F 2	58. FILTER NUT, Fuel Inlet	3.740
F 10	19. VALVE, Idle Vent (Part of Idle Vent Valve Kit)	3.852	F 2	59. GASKET, Inlet Nut	3.740
	20. Part of Air Horn Asm	N.S.	F 2	60. GASKET, Filter	3.740
F 2	21. AIR HORN ASM	3.730	F 2	61. FILTER, Fuel Inlet	3.740
F 7	22. METERING ROD, Secondary	3.806	F 2	62. SPRING, Inlet Filter	3.740
	23. Part of Float Bowl Asm	N.S.	F 6	63. SPRING, Idle Stop Screw	3.766
F 9	24. PUMP ASM	3.838	F 6	64. SCREW, Idle Stop	3.761
F 10	25. SPRING, Pump Return	3.841	E 25	65. GASKET, Throttle Body	3.724
E 25	26. GASKET, Air Horn	3.724	E 27	66. THROTTLE BODY ASM	3.729
F 3	27. FLOAT ASM	3.745	F 6	67. LEVER, Fast Idle	3.766
F 8	28. HINGE PIN, Float	3.814	F 6	68. SCREW, Cam & Fast Idle Levers Attaching	3.755
F 8	29. SPRING, Metering Rod-Primary	3.810	F 6	69. SPRING, Cam Follower Lever	3.766
F 2	30. INSERT, Float Bowl	3.734	F 6	70. SPRING, Fast Idle Screw	3.766
F 9	31. SCREW, Cover Attaching	3.820	F 6	71. SCREW, Fast Idle Adjusting	3.766
F 9	32. COVER, Idle Compensator	3.820	F 6	72. LEVER, Cam Follower	3.766
F 9	33. IDLE COMPENSATOR ASM	3.820	F 9	73. SPRING, Idle Needle	3.823
E 25	34. GASKET, Idle Compensator	3.724	F 9	74. NEEDLE, Idle Adjusting	3.825
F 4	35. ROD, Choke	3.752	F 3	75. SCREW, Throttle Body	3.741
F 2	36. BAFFLE PLATE, Float Bowl	3.740		76. Part of Throttle Body Asm	N.S.
F 4	37. LEVER, Intermediate Choke	3.752		77. Part of Throttle Body Asm	N.S.
F 7	38. METERING ROD, Primary	3.806	F 10	78. CLIP, Pump Rod	3.841
F 7	39. METERING JET, Primary	3.792	F 10	79. ROD, Pump	3.843
F 10	40. POWER PISTON ASM	3.858			

GM03-119
09168Z



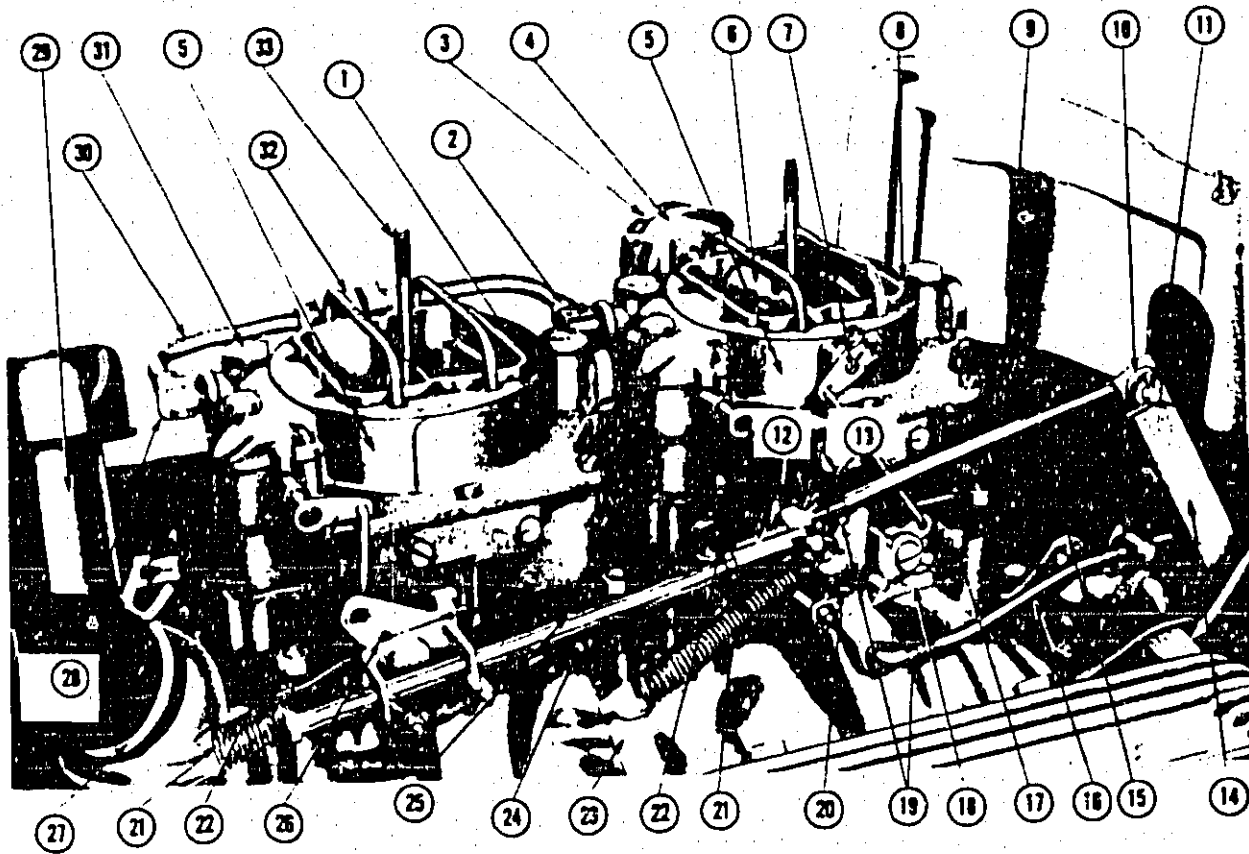
GM03-119

1981 QUADRAJET CARBURETOR - E4ME/E4MC

1981 QUADRAJET CARBURETOR - E4ME/E4MC

1. AIR HORN ASM Carb(*5)	N.S.		58. ROD, Primary Metering(*15)	N.S.
2. GASKET, A/Horn to F/Bowl(*3,4)	N.S.		59. SPRING, Metering Roc(*15)	N.S.
3. LEVER, Pump Actuating(*5)	N.S.		60. INSERT, Float Bowl(*14,20)	N.S.
4. PIN, Pump Lvr Hinge Roll(*5)	N.S.		61. INSERT, Aneroid Cavity(*6,14,20)	N.S.
5. SCREW, A/Horn-Throt Body-Long(*5)	N.S.		62. SCREW, Sol Conn Attach(*14)	N.S.
6. SCREW, A/Horn-F/Bowl-Short(*5)	N.S.		63. SOLENOID, W/Plgr, Mix Cont(*14)	N.S.
7. SCREW, A/Horn-F/Bowl (C/Sunk)(*5)	N.S.		64. SPRING, Solenoid Return(*14)	N.S.
8. GASKET, Sol Conn to Air Horn(*3,4)	N.S.		65. SCREW, Solenoid Adj(*14)	N.S.
9. ROD, Metering-Secondary(*15)	N.S.		66. SPRING, Sol Adj Screw(*14)	N.S.
10. HOLDER, W/ Screw, Sec Meter Rod(*15)	N.S.		67. SPRING, Pump Return(*2)	N.S.
11. BAFFLE, Air Horn(*5)	N.S.		68. PLUNGER ASM, Pump(*2,21)	N.S.
12. VALVE ASM, Air Bleed(*5,23)	N.S.		69. LINK, Pump Plunger(*5)	N.S.
13. "O" RING, Air Bleed Vlv-Thick(*3,5,23)	N.S.		70. BAFFLE, Secondary Bores(*6)	N.S.
14. "O" RING, Air Bleed Vlv-Thin(*3,5,23)	N.S.		71. SENSOR, Throttle Position (TPS)(*16)	N.S.
15. PLUNGER, TPS Actuator(*16)	N.S.		72. SPRING, TPS Tension(*16)	N.S.
16. SEAL, TPS Plunger(*3,5)	N.S.		73. NUT, Fuel Inlet(*6)	N.S.
17. RETAINER, TPS Seal(*3,5)	N.S.		74. GASKET, Fuel Inlet Nut(*3,6,19)	N.S.
18. SCREW, TPS Adjusting(*25)	N.S.		75. FILTER, Fuel Inlet(*6,19)	N.S.
19. PLUG, TPS Adj Screw(*3,4,5,16)	N.S.		76. SPRING, Fuel Filter(*6)	N.S.
20. SEAL, Pump Stem(*3,5)	N.S.		77. SCREW, Throttle Stop(*6)	N.S.
21. RETAINER, Pump Stem Seal(*3,5)	N.S.		78. SPRING, Stop Screw(*6)	N.S.
22. SCREW, Sol Plunger-Rich Stop(*5)	N.S.		79. SOLENOID, W/Brkt, Idle(*17)	N.S.
23. PLUG, Sol Stop Screw-Rich Stop(*3,4,25)	N.S.		80. BRACKET, Throttle Return Spring(*17)	N.S.
24. PLUG, Sol Adj Screw-Lean Mix(*3,4,25)	N.S.		81. COMPENSATOR, W/Brkt, Idle Load(*24)	N.S.
25. BREAK CONTROL, W/Brkt, Prim Vac(*12)	N.S.		82. SPEED CONTROL, W/Brkt, Idle(*18)	N.S.
26. SCREW, Vac Break Attach(*12)	N.S.		83. SCREW, Brkt Attach(*17,18,24)	N.S.
27. HOSE, Vac Break(*12,13)	N.S.		84. BODY ASM, Throttle(*7)	N.S.
28. LINK, Air Valve(*12)	N.S.		85. GASKET, Throt Body to Bowl(*3)	N.S.
29. LEVER, Choke-Upper(*8)	N.S.		86. SCREW, Throt Body to Bowl(*7)	N.S.
30. SCREW, Choke Lvr Attach(*8)	N.S.		87. NEEDLE, W/Spring, Idle(*2)	N.S.
31. LINK, Choke(*8)	N.S.		88. SCREW, Fast Idle Adj(*7)	N.S.
32. LEVER, Inter Choke Shaft-Lvr(*8)	N.S.	E 27	89. SPRING, Fast Idle Screw(*7)	N.S.
33. SEAL, Inter Choke Shaft(*3,6,8)	N.S.	E 25	90. TEE, Vac Hose(*13)	N.S.
34. LEVER, Sec Throt Lockout(*8)	N.S.	E 25	91. GASKET, Insulator, Flange(*1,2,3)	3.726
35. LINK, Rear Vac Break(*8)	N.S.		NOTE 1: Replacement Carburetor Kit	3.725
36. SHAFT, W/Lever, Inter Choke(*8)	N.S.	E 25	NOTE 2: Power Kit (Incl #3 Gasket Set)	3.725
37. CAM, Fast Idle(*8)	N.S.		NOTE 3: Gasket Set Kit (Also Part of #2)	3.724
38. SEAL, Choke Hsg-F/Bowl (HAC)(*3,8)	N.S.	F 2	NOTE 4: Air Horn Gasket Kit	3.738
39. HOUSING ASM, Choke(*8)	N.S.	F 2	NOTE 5: Air Horn Asm Kit	3.730
40. SCREW, Hsg to Bowl(*8)	N.S.	F 2	NOTE 6: Float Bowl Asm Kit	3.734
41. SEAL, Inter Choke Shf (HAC)(*3,6,8)	N.S.	E 27	NOTE 7: Throttle Body Asm Kit	3.729
42. LEVER, Choke Coil(*8)	N.S.	F 3	NOTE 8: Choke Housing Asm Kit	3.750
43. SCREW, Choke Coil Lvr(*8)	N.S.	F 3	NOTE 9: Choke Cover Retainer Kit	3.750
44. GASKET, Stat Cvr (HAC)(*3,8,11)	N.S.	F 3	NOTE 10: Cover & Coil Kit-Elec Choke	3.750
45. COVER, W/Coil, Choke (HAC)(*11)	N.S.	F 3	NOTE 11: Cover & Coil Kit-Hot Air Choke (HAC)	3.750
46. INDEX ASM, Elec Choke(*10)	N.S.		NOTE 12: Primary Vac Break Kit	3.755
47. RETAINER KIT, Choke Cvr(*3,8,9,10,11)	N.S.	F 5	NOTE 13: Secondary Vac Break Kit	3.755
48. BREAK CONTROL, W/Brkt, Secondary Vacuum(*13)	N.S.	E 15	NOTE 14: Mixture Cont Sol Kit	3.440
49. SCREW, Vac Break Attach(*13)	N.S.	F 7	NOTE 15: Metering Jet & Rod Kit	3.806
50. BOWL ASM, Float(*6)	N.S.	F 6	NOTE 16: Throttle Pos Sensor Kit	3.764
51. JET ASM, Primary Metering(*6,15)	N.S.	F 2	NOTE 17: Idle Solenoid Kit	3.738
52. BALL, Pump Discharge(*2,6)	N.S.	F 6	NOTE 18: Idle Speed Control Kit	3.766
53. RETAINER, Discharge Ball(*6)	N.S.	F 2	NOTE 19: Fuel Filter Kit	3.740
54. BAFFLE, Pump Well(*6)	N.S.	F 3	NOTE 20: Float & Insert Kit	3.745
55. NEEDLE & SEAT ASM, Carb(*2,3,6,22)	N.S.	F 9	NOTE 21: Pump Asm Kit	3.838
56. FLOAT, W/Lever, Fuel(*20)	N.S.	F 8	NOTE 22: Needle & Seat Asm Kit	3.814
57. PIN, Float Hinge(*20)	N.S.	F 9	NOTE 23: Air Bleed Valve Kit	3.820
		E 25	NOTE 24: Idle Load Compensator Kit	3.820
			NOTE 25: TPS Screw & Plug Kit	3.724

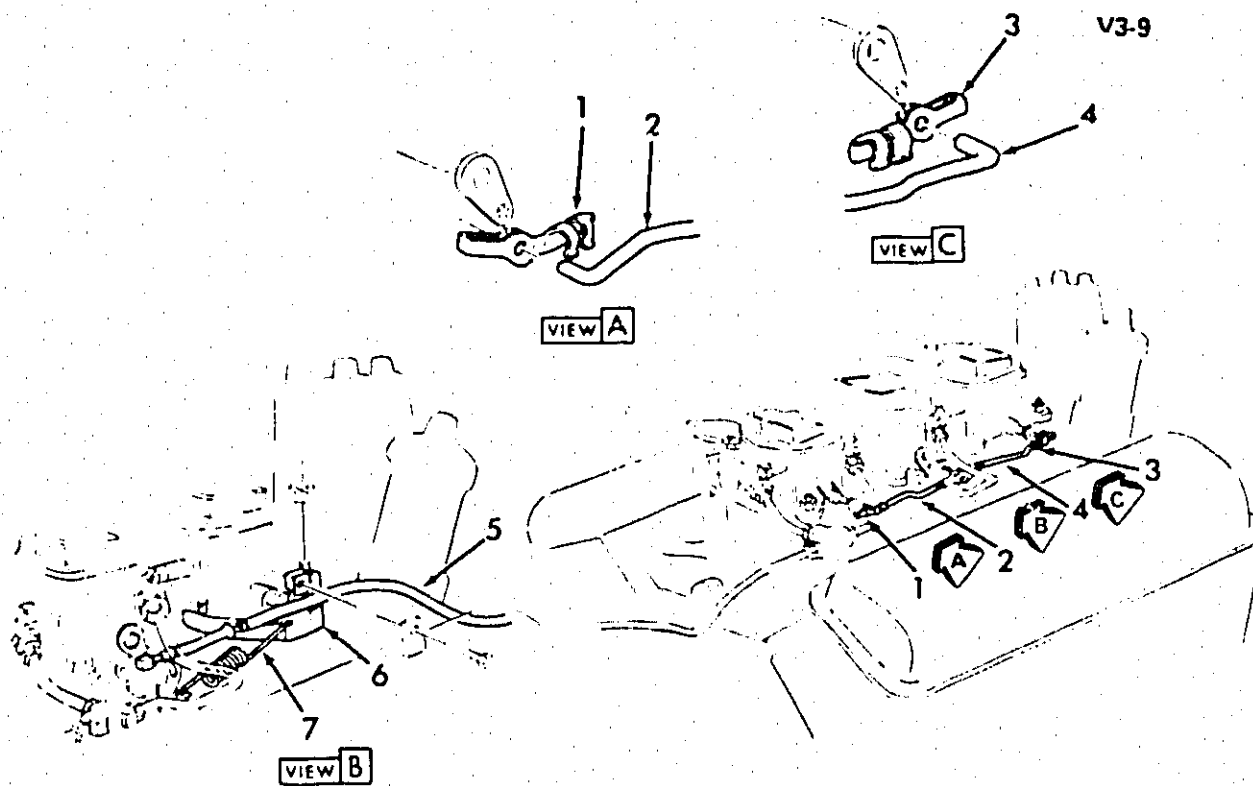
CARBURETOR SERVICE PARTS ARE INCLUDED WITH THE PACKAGE NUMBERS. SEE COMPONENT LIST IN PARTS CATALOG.



V3-64

1956-61 DUAL 4 BBL. CARBURETOR LINKAGE

E 25	1. FRONT CARBURETOR ASM	3.725	F 6	17. SCREW	3.761
	2. NUT (5/16")	8.963	F 6	18. ARM	3.762
F 3	3. COVER	3.750	E 14	19. CLIP	3.425
F 3	4. CHOKE HSG	3.750	F 6	20. SHAFT	3.759
F 2	5. HORN ASM	3.730	E 16	21. SPRING	3.459
F 4	6. VALVE	3.751	F 10	22. LEVER	3.842
F 4	7. SHAFT	3.752	E 16	23. BRACKET	3.459
E 25	8. REAR CARBURETOR ASM, Rear	3.725	F 6	24. SCREW	3.761
N 15	9. DISTRIBUTOR	2.361	E 15	25. ACCELERATOR CONTROL ROD	3.430
E 14	10. SLEEVE	3.425	E 14	26. CLEVIS	3.425
E 14	11. BUSHING	3.425	N 10	27. CLAMP	1.166
E 15	12. END	3.430		28. ELBOW (5/16"-90 Degrees)	8.963
E 14	13. SWIVEL	3.425	N 13	29. TUBE ASM	1.745
E 15	14. LEVER	3.454		30. TUBING (5/16")	8.964
E 15	15. ROD	3.430	F 2	31. NUT	3.710
N 21	16. ROD	4.050		32. TEE (5/16"-90 Degrees)	N.S.
			E 13	33. STUD	3.403

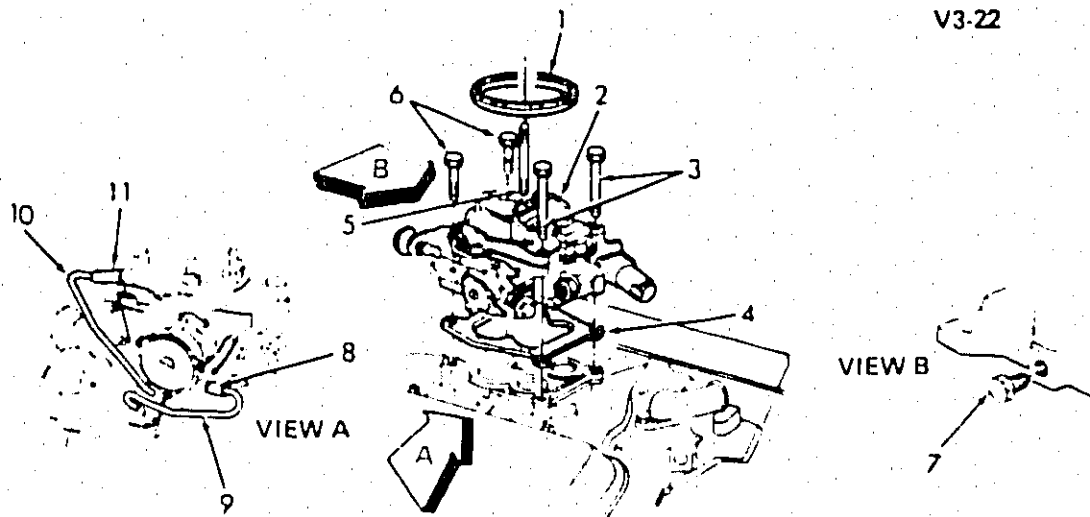


V3-9

1967-69 'Y' 3 X 2 CARBURETOR LINKAGE

F 4	1. CLIP, Center to Frt Carb Rod	3.752
F 6	2. ROD, Ctr to Frt Carb	3.762
F 4	3. CLIP, Center to Rear Carb Rod	3.752
F 6	4. ROD, Ctr to Rr Carb	3.762
E 15	5. CABLE ASM, Accel Control	3.430
E 15	6. BRACKET ASM, Accel Control Caole	3.454
E 16	7. SPRING (3 25/64" Full Length-19 Coil)	3.459

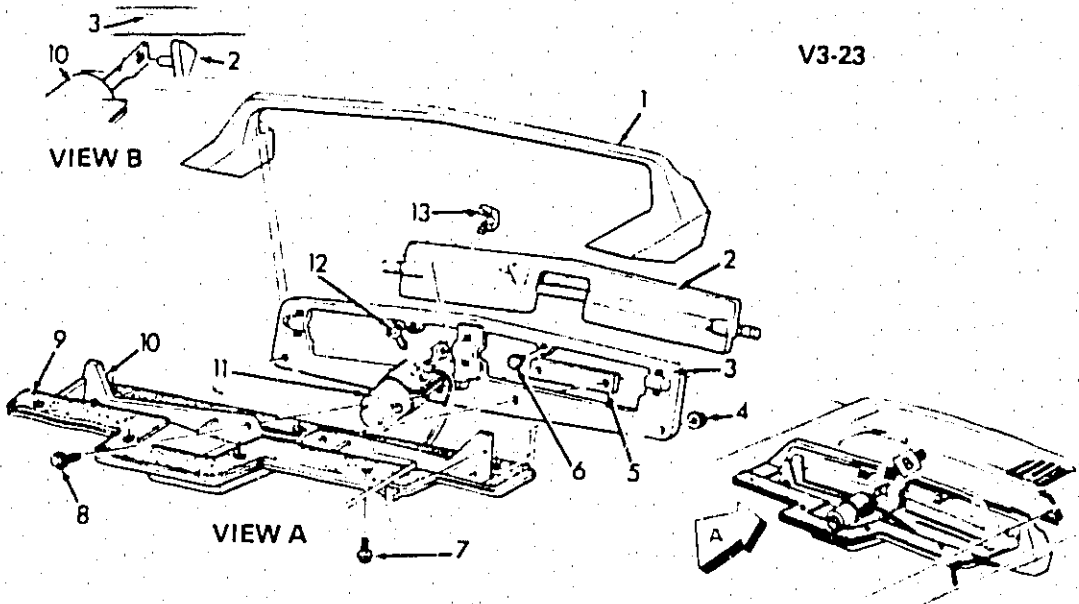
V3-22



V3-22

1975-79 'Y' CARBURETOR & CHOKE PIPES

E 13	1. GASKET, Air Cleaner & Silencer	3.403	6. BOLT, Carb Rr (5/16"-18 x 1 1/4")	8.900	
E 25	2. CARBURETOR (Typical)	3.725	7. PLUG, Carb Vacuum Hole	8.971	
E 27	3. BOLT, Carb Frt (5/16"-18 x 3")	8.900	N 21	8. HOSE, Choke-Spec (15/64")	4.205
E 13	4. INSULATOR ASM, Carb Heat	3.726	E 17	9. TUBE, Carb Choke	3.603
	5. STUD, Air Cleaner	3.403	E 17	10. TUBE, Carb Fresh Air	3.603
				11. HOSE, Fresh Air (7/32")	8.962



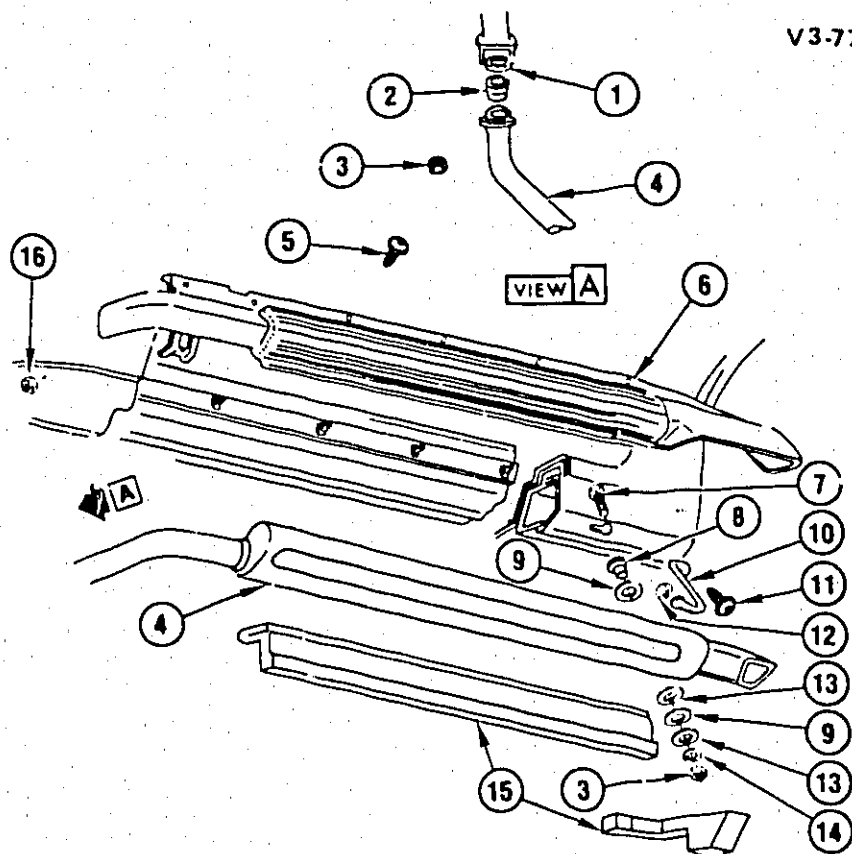
V3-23

V3-23

1973-76 'Y' CARBURETOR AIR CONTROL

E 14	1. SEAL, Carb Air Cont Valve	3.417	7. BOLT ASM, (1/4"-20 x 13/16")	8.900	
E 14	2. VALVE, Carb Air Cont	3.415	8. SCREW ASM	8.977	
E 14	3. FRAME, Carb Air Cont Valve	3.415	E 14	9. GASKET, Carb Air Cont Valve Carr	3.417
F 5	4. NUT (# 10-24)	8.932	F 5	10. CARRIER, Carb Air Cont Valve	3.757
	5. PLATE, Frame to Carb Top	3.757	E 14	11. SOLENOID ASM, Carb Air Cont	3.415
	6. PLUG (1/4")	8.973	E 14	12. SCREW	8.977
			E 14	13. RETAINER, Carb Air Cont Valve	3.415

V3-77

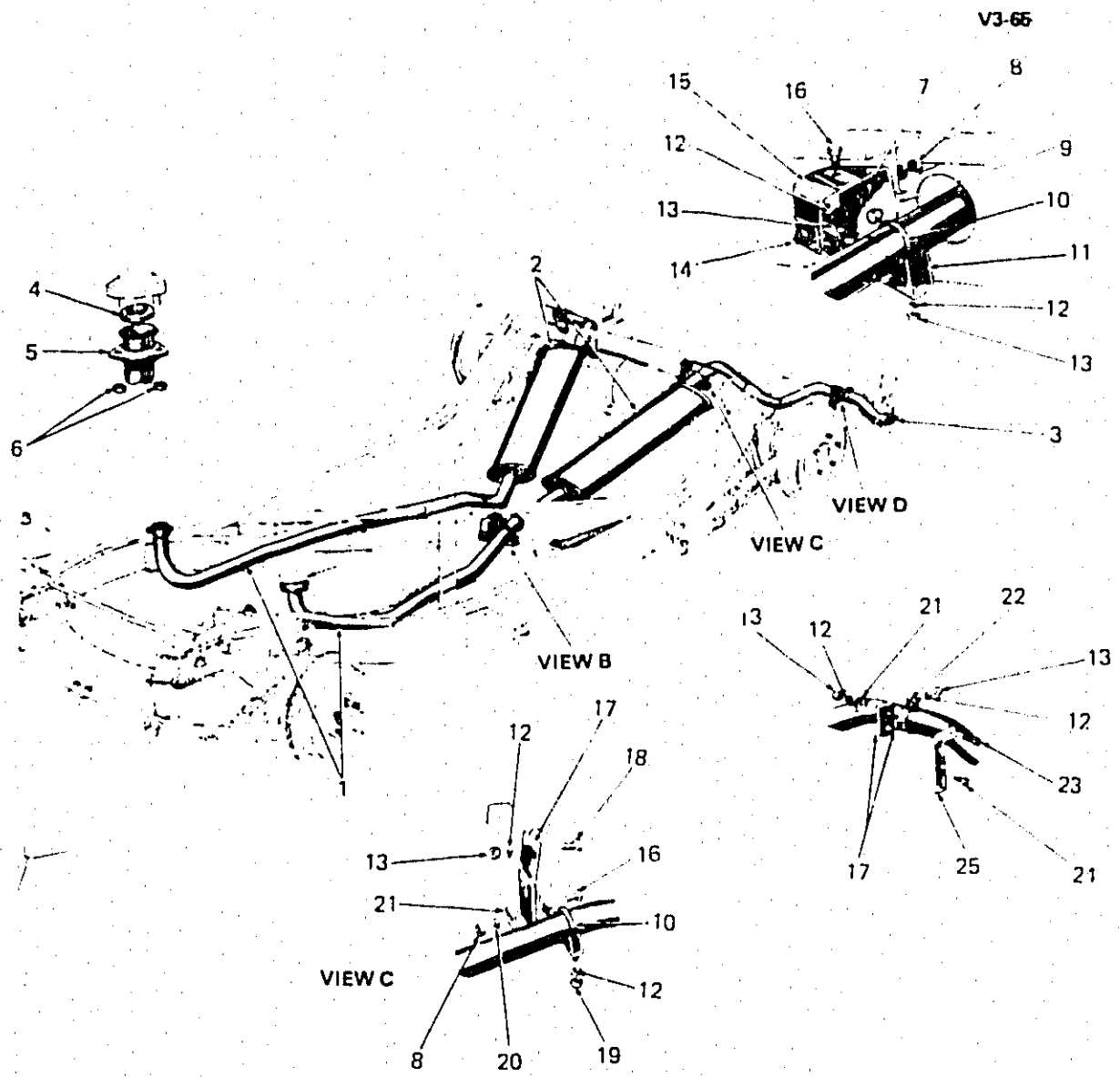


V3-77

1969 'Y' SIDE MOUNTED EXHAUST

E 18	1.	3.611	PACKING, Exh	6271612
E 17	2.	3.609	EXTENSION, Exh Pipe (Exc 427)	3890382
	3.	8.915	NUT, Hex (3/8"-16)	
E 24	4.	3.701	MUFFLER, W/Exh & Tail Pipe-LH (W/350)	3979479
E 24		3.701	MUFFLER, W/Exh & Tail Pipe-RH (W/350)	3979478
E 24		3.701	MUFFLER, W/Exh & Tail Pipe-LH (W/427)	3973871
E 24		3.701	MUFFLER, W/Exh & Tail Pipe-RH (W/427)	3979480
	5.	8.908	SCREW, Fl Hd C/R Torx (#10-24 x 3/4")	
E 17	6.	3.602	SHIELD, Complete-LH (Incl Moldings listed below)	3972591
E 17		3.602	SHIELD, Complete-RH (Incl Moldings Listed below)	3972592
E 17		3.602	MOLDING, Shield, Ctr Otr Finned (Alum)	3948020
		N.S.	MOLDING, Shield, Frt Otr-LH (Alum)	
E 17		3.602	MOLDING, Shield, Frt Otr-RH (Alum)	3948022
E 17		3.602	MOLDING, Shield, Rr Otr-LH (Alum)	3948023
		N.S.	MOLDING, Shield, Rr Otr-RH (Alum)	
	7.	8.903	BOLT, Rd Hd; Sq Nk (3/8"-16 x 1 3/4")	
E 24	8.	3.704	RETAINER, Muff Exh & Tail Pipe	3949191
E 24	9.	3.704	INSULATOR, Muff & Tail Pipe	3949190
E 17	10.	3.602	BRACKET, Rr-LH	3966775
		N.S.	BRACKET, Rr-RH	
E 17	11.	3.602	BOLT, Ht Shield Rr Mt Brkt	3948079
	12.	8.915	NUT, Hex (#10-32)	
	13.	8.929	WASHER, Fl (13/32" ID 2" OD 5/64" Thk)	
	14.	8.931	WASHER, Lk (3/8")	
	15.	N.S.	INSULATOR, Body Sill Heat(*1)	
	16.	8.921	NUT, Stamped (#10-24 x 1/2")	

NOTE 1: Fabricate locally.



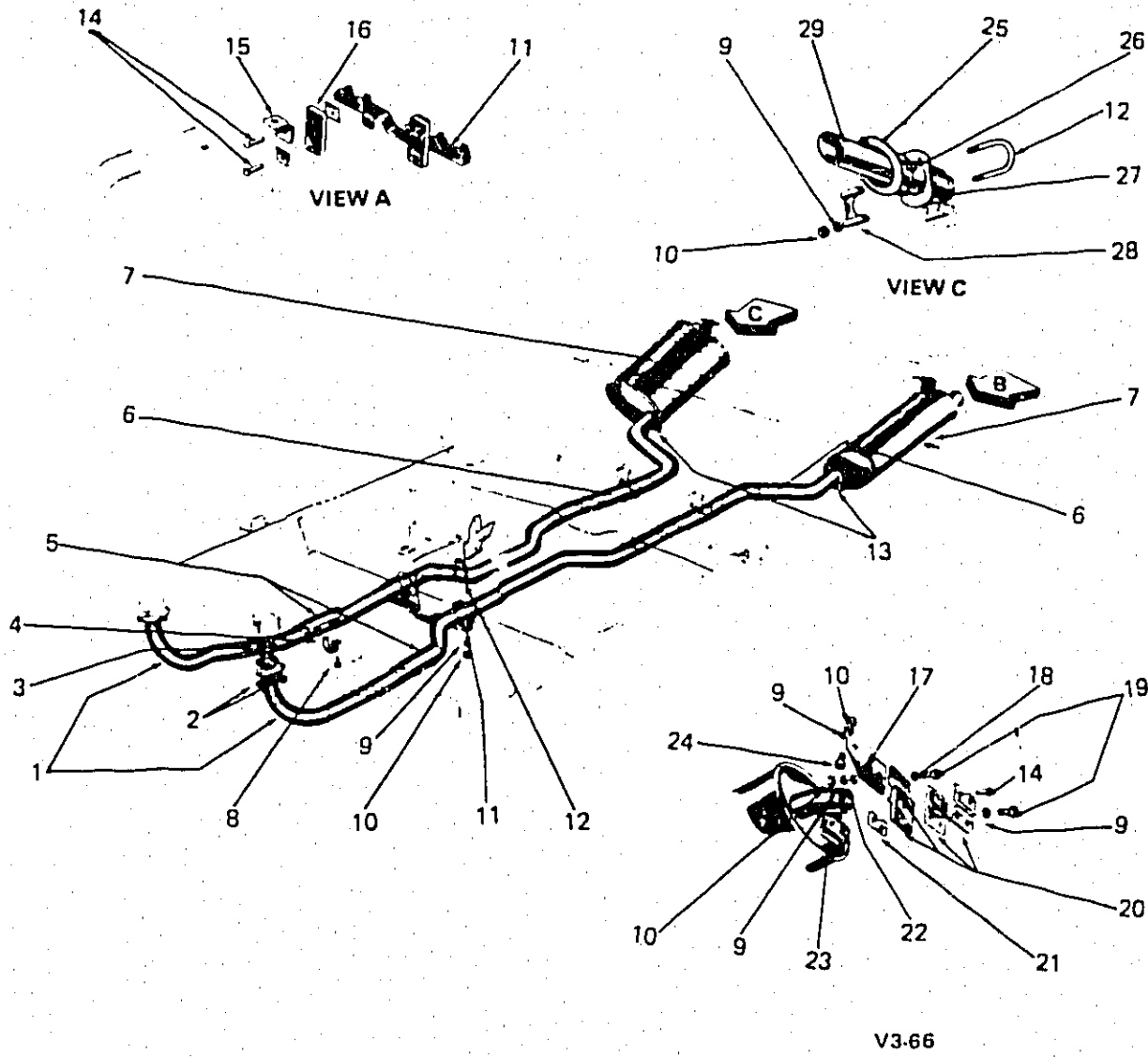
V3-65

V3-65

1961-62 'Y' EXHAUST SYSTEM

E 17	1. PIPE ASM	3.609	13. NUT (5/16"-18)	8.915
E 24	2. MUFFLER	3.701	14. BOLT (5/16"-18 x 3/4")	8.903
E 24	3. TAIL PIPE	3.705	E 24 15. INSULATOR ASM	3.704
E 18	4. PACKING	3.611	16. BOLT (5/16"-18 x 3/4")	8.900
E 18	5. FLANGE	3.610	E 24 17. BRACKET	3.706
	6. NUT (3/8"-16)	3.277	18. BOLT (5/16"-18 x 3/4")	8.900
	7. BOLT (1/4"-20 x 5/8")	8.900	19. NUT (5/16"-24)	8.915
	8. NUT (1/4"-20)	8.916	20. WASHER (1/4")	8.931
E 18	9. BRACKET	3.616	E 24 21. RETAINER	3.704
E 24	10. "U" BOLT (5/16"-24)	3.708	22. BOLT (5/16"-18 x 1")	8.900
E 24	11. CLAMP	3.708	23. BOLT (5/16"-18 x 1 1/8")	8.900
	12. WASHER, Lock (5/16")	8.931	24. SCREW (5/16"-24 x 1/2")	8.977
			E 24 25. BRACKET	3.706

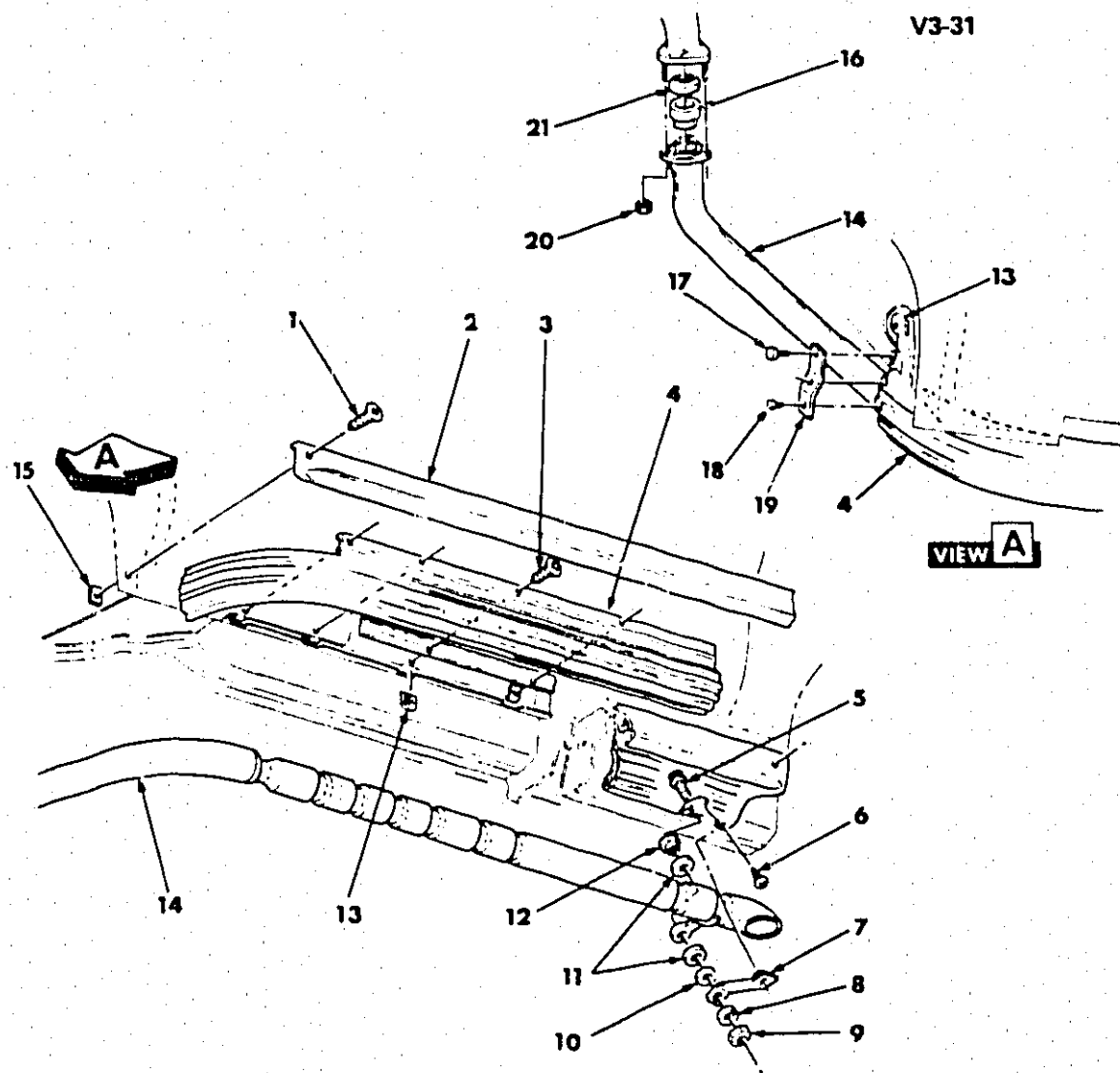
V3-66



V3-66

1963-67 'Y' EXHAUST SYSTEM

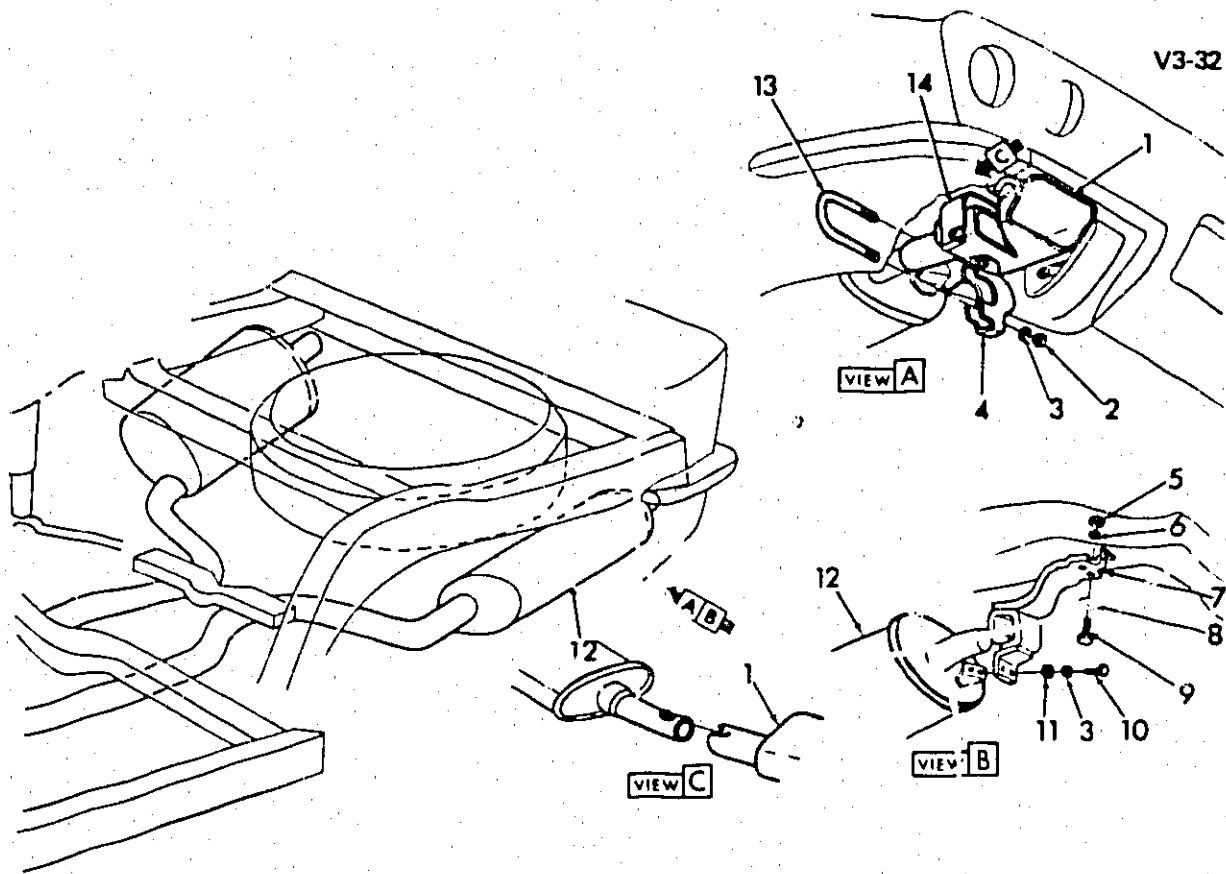
E 17	1. PIPE ASM	3.609	14. RIVET	N.S.
E 10	2. NUT	3.275	15. BRACKET, Part of 3.616 SUPPORT ASM	N.S.
E 18	3. PACKING	3.611	E 17 16. INSULATOR	3.602
E 17	4. STRAP	3.602	E 24 17. BRACKET	3.704
E 17	5. SHIELD ASM	3.602	18. WASHER (5/16")	8.929
E 17	6. PIPE, Exc H/Per, SP H/Per FI (H/Per, W/Pg) W/H/Per, SPH/Per FI (Exc PG)	3.609	19. BOLT (5/16"-18 x 7/8")	8.900
E 24	7. MUFFLER, Exc H/Per, SP H/Per FI (H/Per, W/Pg) W/H/Per, SP H/Per FI (Exc PG)	3.701	20. Part of 3.704 HANGER ASM	N.S.
	8. SCREW (# 10-12 x 3/4")	8.977	E 24 21. SPACER	3.704
	9. WASHER, Lock (5/16")	8.931	N 21 22. PAWL	4.220
	10. NUT (5/16"-18)	8.915	23. PLATE	N.S.
	11. CLAMP, Part of 3.616 SUPPORT ASM	N.S.	24. BOLT (5/16"-18 x 5/8")	8.900
E 24	12. BOLT	3.708	E 24 25. BEZEL	3.705
E 24	13. CLAMP UNIT	3.708	26. NUT (# 10-12)	8.921
			E 24 27. SHIELD	3.705
			E 24 28. CLAMP	3.708
			E 24 29. PIPE	3.705



V3-31

1965-67 'Y' SIDE MOUNTED EXHAUST SYSTEM

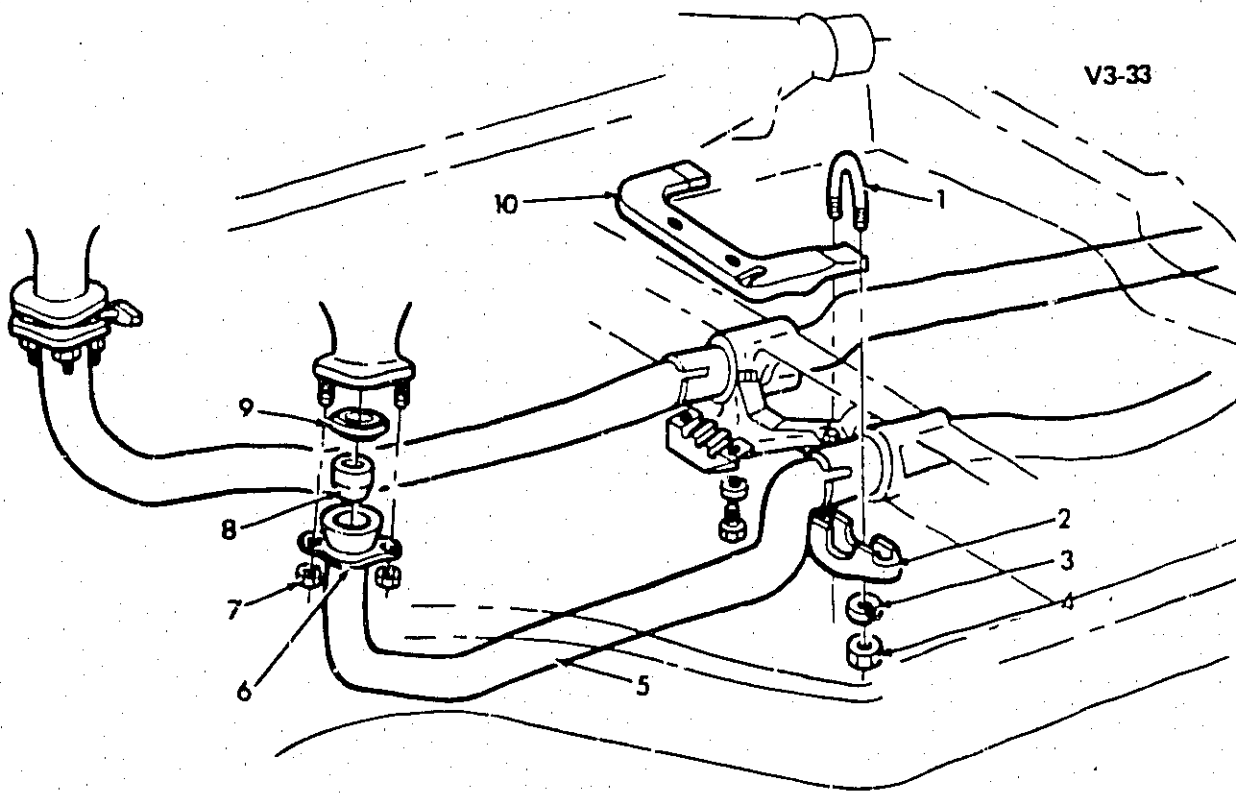
	1. SCREW (#8-18 x 1")	8.977	E 24	12. RETAINER	3.704
N 26	2. MOLDING	8.304	E 18	13. NUT (#10-24)	3.616
	3. SCREW (#10-24 x 5/8")	8.977	E 24	14. MUFFLER	3.701
E 17	4. COVER ASM	3.602	E 24	15. NUT (#8-15)	8.921
	5. BOLT (3/8"-16 x 2 1/4")	8.900	E 17	16. EXTENSION, Exh Pipe	3.609
	6. SCREW (#10-24 x 5/8")	8.909		17. SCREW (W/Lockwasher)(#10-24 x 5/8")	8.900
E 17	7. BRACKET	3.602		18. SCREW (#10-24 x 7/16")	8.900
	8. WASHER, Lock (3/8")	8.931	E 17	19. BRACKET	3.602
	9. NUT (3/8"-16)	8.915		20. NUT (3/8"-16)	8.916
	10. WASHER (3/8")	8.929	E 18	21. PACKING, Exh Frt Pipe	3.611
E 24	11. INSULATOR	3.704			



V3-32

1968-72 'Y' MUFFLER, TAILPIPE & FRAME ATTACHMENT

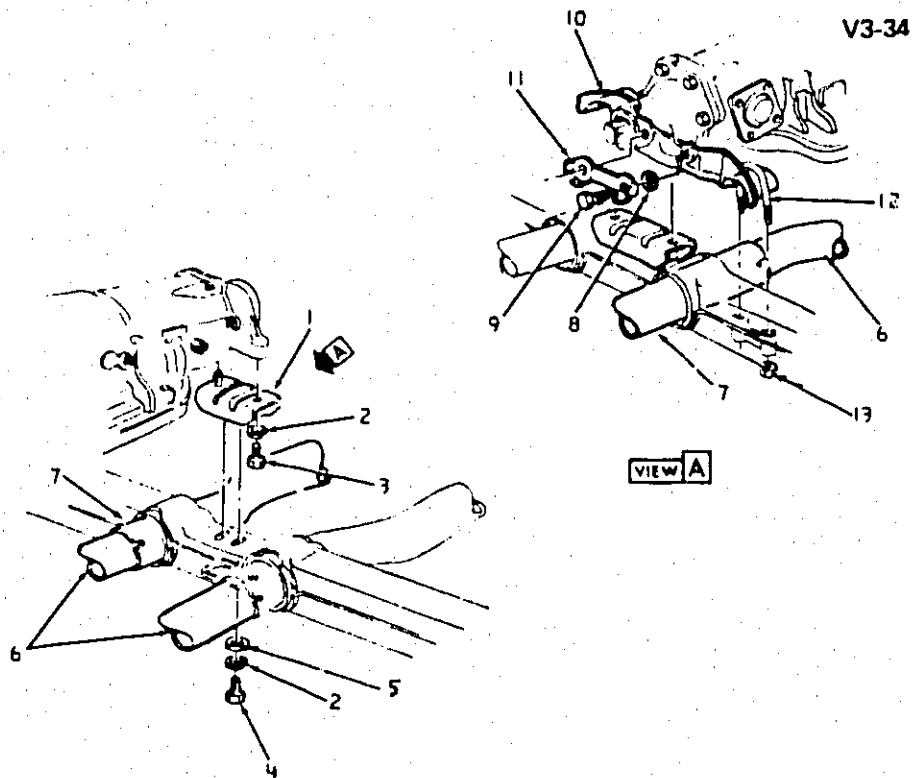
E 17	1. PIPE, Tail	3.609
	2. NUT (5/16" - 18)	8.915
	3. WASHER, Lock (5/16")	8.931
E 24	4. CLAMP, Exh Pipe	3.708
	5. NUT (3/8" - 16)	8.915
	6. WASHER (3/8")	8.929
E 24	7. BRACKET ASM, Muffler & Rear Exhaust	3.704
	8. WASHER, Lock (5/16")	8.931
	9. BOLT (3/8" - 16 x 7/8")	8.900
	10. BOLT (5/16" - 18 x 3/4")	8.900
	11. WASHER	8.929
E 24	12. MUFFLER	3.701
E 24	13. "U" BOLT KIT, Muffler Tailpipe Clamp	3.708
E 24	14. BEZEL, Muffler Tail (1970-72 Bezel Shown)	3.705



V3-33

1968-73 'Y' FRONT EXHAUST PIPES

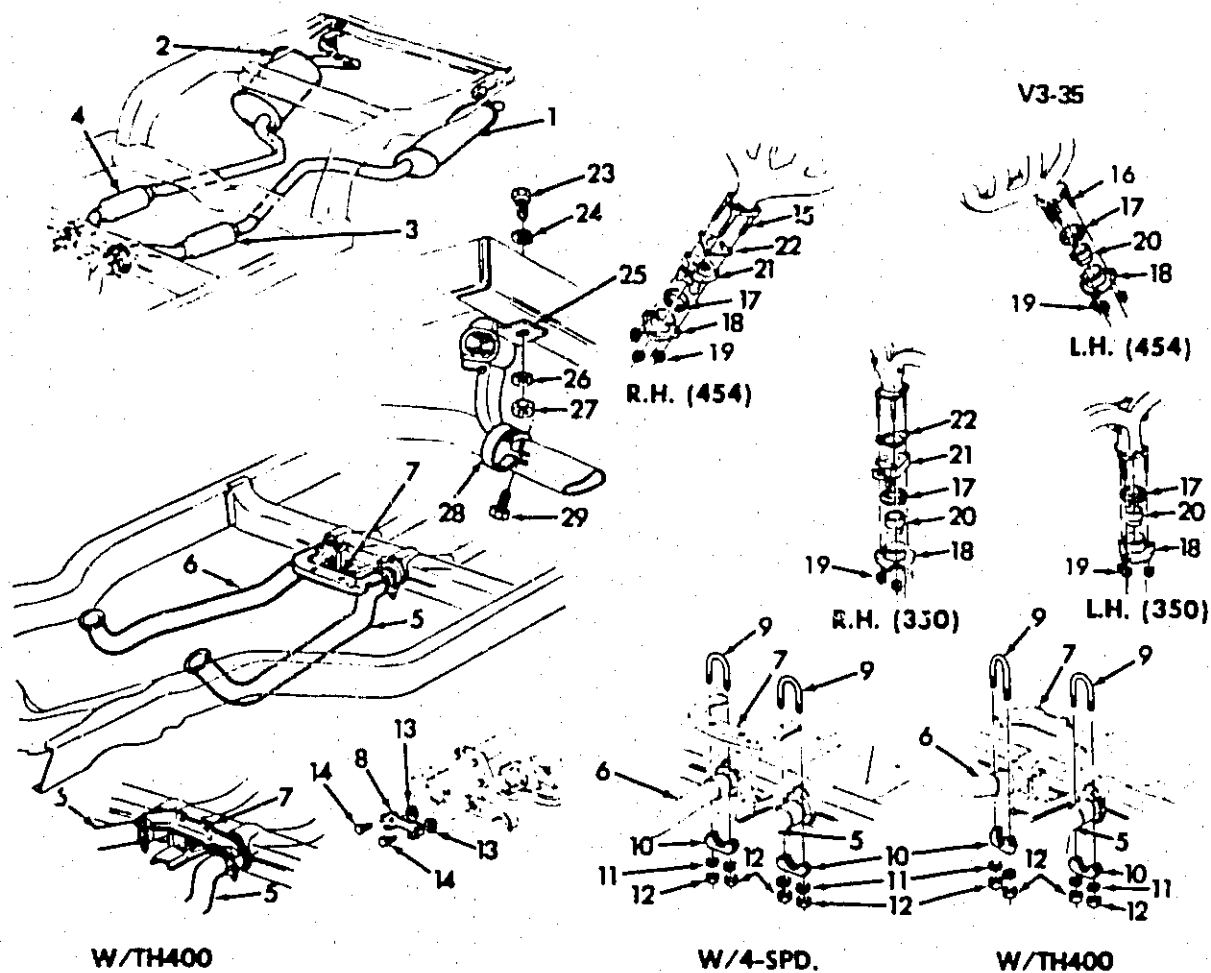
E 24	1. "U" BOLT, Pipe Clamp (5/16"-18)	3.708
E 24	2. CLAMP, Exh Pipe	3.708
	3. WASHER (5/16")	8.931
	4. NUT (5/16"-18)	8.915
E 17	5. PIPE ASM, Frt Exhaust	3.609
E 18	6. FLANGE, Frt Exh Pipe	3.610
	7. NUT (3/8"-16)	8.917
E 17	8. EXTENSION, (1 13/32" OL x 2" OD)	3.609
E 18	9. PACKING, Exh Frt Pipe	3.611
E 24	10. CLAMP, Frt Exh Pipe	3.708



V3-34

1968-74 'Y' EXHAUST PIPES W/T.H.

N 21	1. MOUNTING ASM	4.081
	2. WASHER, Lock (7/16")	8.931
	3. BOLT (7/16"-14 x 1 1/8")	8.900
	4. BOLT (7/16"-14 x 1")	8.900
	5. WASHER (15/32")	8.929
E 17	6. PIPE, Front Exhaust	3.609
E 17	7. PIPE, Rear Exhaust-RH	3.609
	8. WASHER (3/8")	8.931
	9. BOLT (3/8"-16 x 1 1/4")	8.900
E 24	10. CLAMP	3.708
E 24	11. LOCK	3.708
E 24	12. "U" BOLT	3.708
	13. NUT (5/16"-18)	8.915



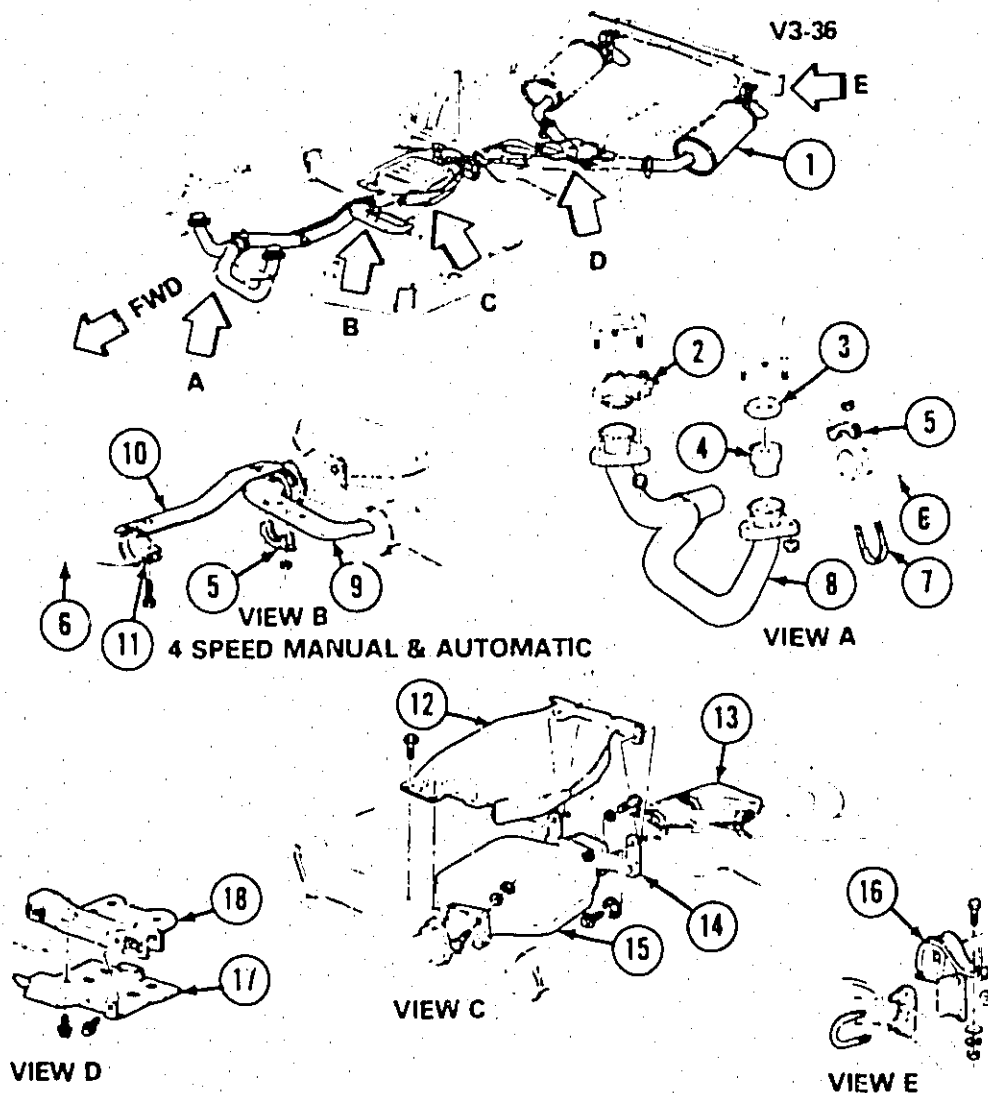
1974 'Y' EXHAUST SYSTEM

E 24	1. MUFFLER, W/Tailpipe, Left	3.701	E 10	16. STUD, Exh Manifold (3/8"-16 x 2 3/16")	3.275
E 24	2. MUFFLER, W/Tailpipe, Right	3.701	E 18	17. PACKING, Exh Front Pipe	3.611
E 17	3. RESONATOR ASM, W/Pipe Left	3.609	E 18	18. FLANGE, Exh Front Pipe	3.610
E 17	4. RESONATOR ASM, W/Pipe Right	3.609	E 18	19. NUT, Exh Pipe to Exh Manifold	3.613
E 17	5. PIPE, Left	3.609	E 17	20. EXTENSION, Exh Pipe to Exh Manifold	3.609
E 17	5. PIPE, Right	3.609	E 19	21. VALVE ASM, Exh Manifold	3.647
E 24	7. CLAMP, Front Exhaust Pipe	3.708	E 18	22. GASKET, Exh Manifold Valve	3.611
E 24	8. LOCK, Front Exhaust Pipe Clamp	3.708	E 18	23. BOLT, Tailpipe Hanger (3/8"-16 x 7/8")	8.900
E 24	9. "U" BOLT, Front Exhaust Pipe Clamp	3.708	E 24	24. WASHER, Tailpipe Hanger (3/8")	8.931
	10. CLAMP, Exhaust Pipe	8.993	E 24	25. HANGER ASM, Tailpipe	3.704
	11. WASHER, Lock, Exh Pipe Clamp (5/16")	8.931		26. WASHER, Tailpipe Hanger	8.931
	12. NUT, Exhaust Pipe Clamp (5/16"-18)	8.917		27. NUT, Tailpipe Hanger	8.915
	13. WASHER, Lock, Clamp (3/8")	8.931	E 24	28. CLAMP, Tailpipe Hanger	3.708
	14. BOLT, Clamp Lock (3/8"-16 x 1 1/4")	8.900		29. SCREW, Tailpipe Clamp (#20-9 x 1 3/4")	8.977
E 10	15. STUD, Exh Manifold (3/8"-16 x 3 5/16")	3.275			

MICROFICHE INDEX
GROUP 3.000
FICHE 2 OF 6

<u>GROUP DESCRIPTION</u>	<u>STARTING GRID LOCATION</u>	
	<u>PARTS</u>	<u>ILLUSTRATIONS</u>
- INTRODUCTION	A-6	I-2
- GENERAL INFORMATION	A-2	I-2
- ALPHABETICAL INDEX	C-11	N.A.
- INDEX FOR ADDITIONAL INFORMATION	A-5	N.A.
3.000 FUEL - EXHAUST - CARBURETION	E-2	I-6
- CARBURETOR CHARTS	F-20	N.A.
- OUT OF FICHE CALLS	N.A.	N-9

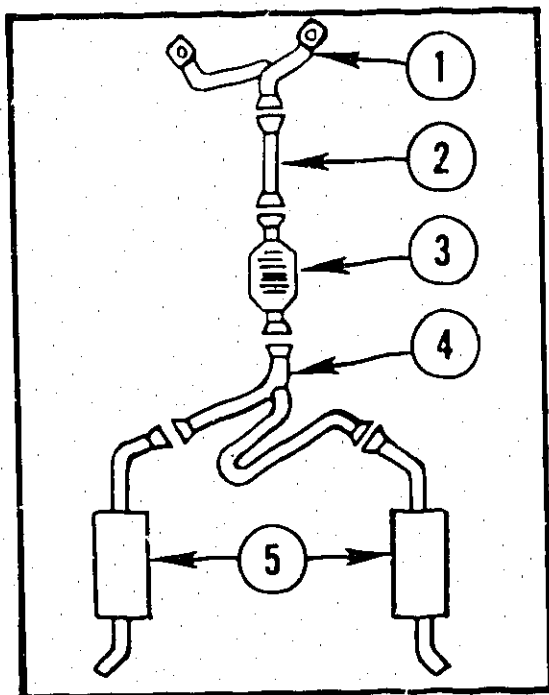
1-1



1975 'Y' EXHAUST SYSTEM

E 24	1. MUFFLER	3.701	E 24	CLAMP, Frt (M40)	3.708
E 19	2. VALVE ASM, Exh Heat	3.647	E 17	10. SHIELD ASM, Frt Exh Pipe Heat	3.602
E 18	3. RING, Exh Pipe to Manif LH	3.611	E 24	11. CLAMP, Frt Exh Pipe Shield	3.708
E 17	4. EXTENSION, Exh C/O Pipe-LH	3.609	E 24	12. SHIELD, Conv Heat	3.690
E 24	5. CLAMP, Exh C/O Pipe Frt	3.708	E 24	13. SHIELD ASM, Rr C/O Pipe Frt	3.705
E 17	6. PIPE ASM, Exh Frt	3.609	E 24	14. HANGER ASM, Converter	3.704
E 24	7. "U"-BOLT KIT (5/16"-18)	3.708	E 23	15. CONVERTER ASM	3.685
E 17	8. PIPE ASM, Frt	3.609	E 24	16. HANGER ASM, Muffler & T/Pipe	3.704
E 24	9. CLAMP, Frt (M20 & M21)	3.708	E 24	17. SHIELD, Rr Muffler Tail	3.705
			N 26	18. PLATE, Rr Spring	7.518

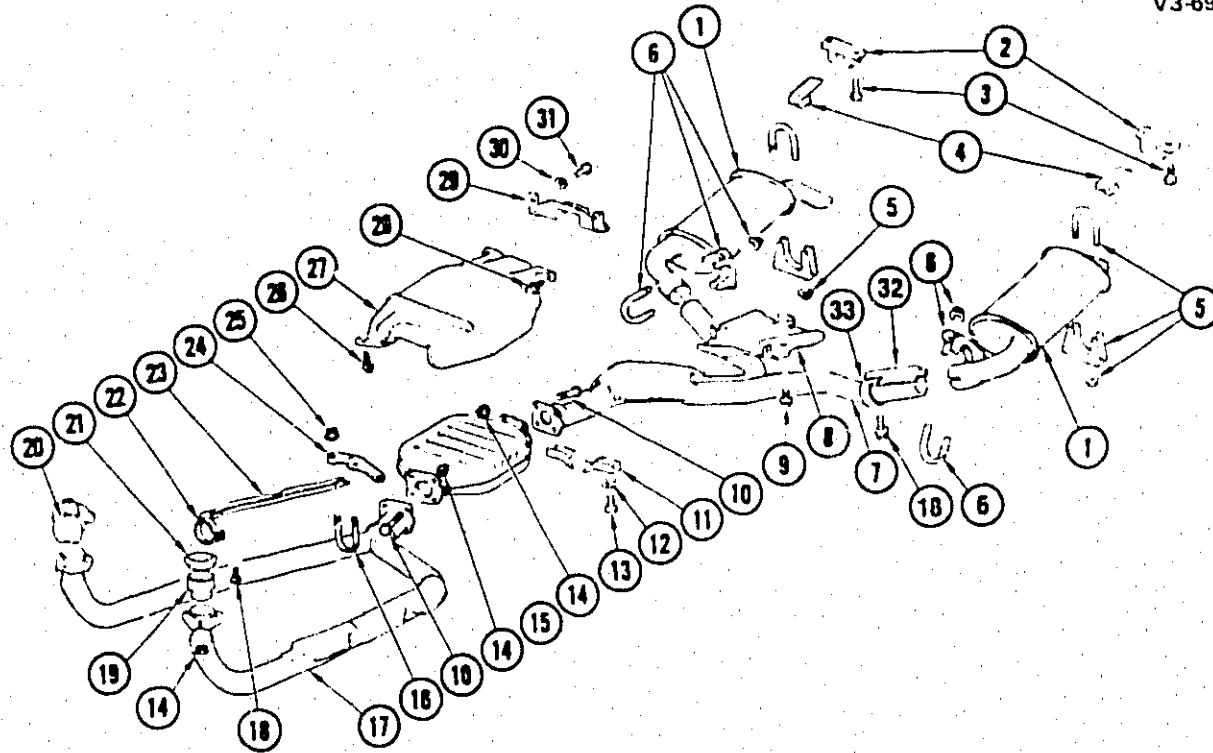
V3-38



V3-38

1976-79 'Y' EXHAUST SYSTEM

E 17	1.	3.609	PIPE, Exh C/Over Front	371789
E 17	2.	3.609	PIPE, Exh Frt	357778
E 23	3.	3.685	CONVERTER, Ctltc	6498393
E 17	4.	3.609	PIPE, Exh C/Over Rr (1976-77)(1978 Exc H/Per)	357780
E 17		3.609	PIPE, C/Over Rr (1978 H/Per)(1979)	459080
E 24	5.	3.701	MUFFLER-RH (350L)(1976-78)	458964
E 24		3.701	MUFFLER-LH (350L)(1976-78)	458963
E 24		3.701	MUFFLER-RH (1978 350H)(1979 All)	14011290
E 24		3.701	MUFFLER-LH (1978 350H)(1979 All)	14011289

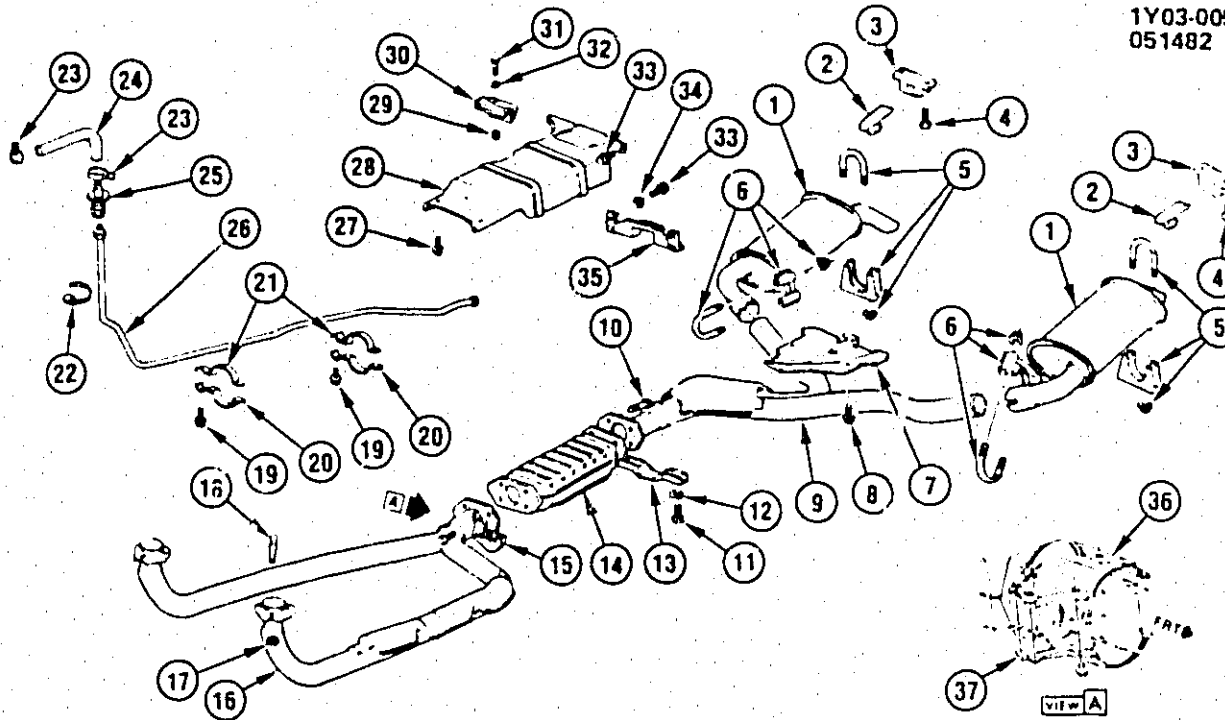


V3-69

1980-81 'Y' EXHAUST SYSTEM

E 24	1.	3.701	MUFFLER, W/Tailpipe-LH (1980)	14011289	E 24	16.	3.708	BOLT, Frt Pipe U	3949198
E 24		3.701	MUFFLER, W/Tailpipe-RH (1980)	14011290	E 17	17.	3.609	PIPE, Exh Frt C/Ovr (1980)	475337
E 24		3.701	MUFFLER, W/Tailpipe-LH (1981)	14033701	E 17	18.	8.977	SCREW, Hex Hd Tap (#20-9 x 2")	14030150
E 24		3.701	MUFFLER, W/Tailpipe-RH (1981)	14033702	E 17	19.	3.609	EXTENSION, Exh Pipe (1980 W/350 only)	3890382
E 24	2.	3.706	BRACKET, Tailpipe Hanger	453967	E 9	20.	3.140	VALVE & ACTUATOR, EFE	5233666
	3.	8.977	SCREW, Hex Wa Hd Tap (M7.9 x 2.12 x 20)		E 18	21.	3.611	RING, Exh Frt C/Ovr Pipe Seal (1980 W/350 only)	3731062
E 24	4.	3.706	HANGER, Tailpipe	458970	E 24	22.	3.708	CLAMP, Exh Frt C/Ovr Pipe Ht Shield (2.25")	9793545
E 24	5.	3.708	CLAMP KIT, Exh (2.5")	352731	E 17	23.	3.602	SHIELD, Exh Frt C/Ovr Pipe Ht	475342
E 24	6.	3.708	CLAMP, W/U-Bolts & Nuts (2.50")	3633128	E 18	24.	3.616	HANGER, Frt Exh Pipe	475341
E 17	7.	3.609	PIPE, Exh C/Ovr Rr (1980)	475339		25.	8.917	NUT (5/16"-18)	
E 17		3.609	PIPE, Exh C/Ovr Rr (1981)	14018947		26.	8.977	SCREW, Hex Wa Hd Tap (M8 x 1.25 x 20)	
E 17	8.	3.602	SHIELD, Rr C/Ovr Rr (1980)	475340	E 24	27.	3.690	SHIELD, Converter Ht (1980)	475338
E 17		3.602	SHIELD, Rr C/Ovr Pipe Ht (1981)	14030148	E 24	28.	8.977	SCREW, Hex Wa Hd Tap (M7.9 x 2.12 x 16)	14028578
	9.	8.977	SCREW, Hex Wa Hd Tap (M6.3 x 1.8 x 14)		E 18	29.	3.616	HANGER, Rr C/Ovr Pipe	459081
	10.	8.900	BOLT, Hex (3/8"-16 x 1 1/2")			30.	8.931	WASHER, Lk (M8)	
E 24	11.	3.708	CLAMP, Rr C/Ovr Pipe Hanger	473J39		31.	8.977	SCREW, Hex Wa Hd Tap (M8 x 2.12 x 30)	
	12.	8.931	WASHER, Lk (3/8")		E 17	32.	3.602	SHIELD, Rr Exh C/Ovr Pipe Ht (1981 W/A.T. exc Gymkhana Susp)	14030149
	13.	8.900	BOLT, Hex (3/8"-16 x 1")		E 24	33.	3.708	CLAMP KIT, Exh Pipe Ht Shld (2.5")(1981 W/A.T. exc Gymkhana Susp)	352731
E 23	15.	3.685	CONVERTER (W/350) (1980)	8998898					
E 23		3.685	CONVERTER (W/305) (1980)	8999035					
E 23		3.685	CONVERTER (1981)	8999035					

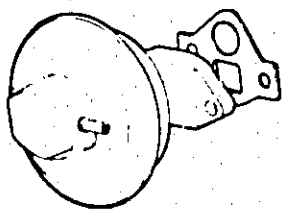
1Y03-005
051482



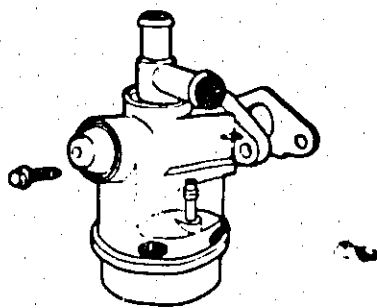
1Y03-005

1982 'Y' EXHAUST SYSTEM

E 24	1.	3.701	MUFFLER, W/Tail Pipe-LH	14033701	E 23	20.	3.680	CLAMP, Ctltc Conv Air Inj	
E 24		3.701	MUFFLER, W/Tail Pipe-RH	14033702				Pipe Lwr	14044533
E 24	2.	3.706	HANGER, Tail Pipe	458970	E 23	21.	3.680	CLAMP, Ctltc Conv Air Inj	
E 24	3.	3.706	BRACKET, Tail Pipe	458967				Pipe Up	14044532
	4.	8.977	SCREW, Hex Wa Hd Tap		N 10	22.	1.166	CLAMP, Worm Type (1/2" to	
			(M7.9 x 2.12 x 20)					1" Dia)	1470029
E 24	5.	3.708	CLAMP KIT, Exh (2.5")	352731	N 10	23.	1.166	CLAMP, Worm Type (1	
E 24	6.	3.708	CLAMP KIT (63.5 MM)	3634389				5/16" to 1 11/16")	14052374
E 17	7.	3.602	SHIELD, Rr Exh C/Ovr Pipe Ht		E 22	24.	3.675	HOSE, Air Inj Eng Chk Vlv	14020682
			Frt	14030148	E 20	25.	3.670	VALVE, Air Inj Ctltc Conv Chk	22017478
	8.	8.977	SCREW, Hex Wa Hd Tap		E 22	26.	3.675	PIPE, Ctltc Conv Air Inj	14044536
			(M6.3 x 1.81 x 13)			27.	8.977	SCREW, Hex Wa Hd Tap (M8	
E 17	9.	3.609	PIPE, Exh C/Ovr Rr	14044525				x 1.25 x 20)	
	10.	8.900	BOLT, Hex Wa Hd (M10 x 1.5		E 24	28.	3.690	SHIELD, Ctltc Conv Hngr	14038299
			x 25)			29.	8.917	NUT, Hex (M8 x 1.25)	
	11.	8.900	BOLT, Hex (3/8"-16 x 1)		E 24	30.	3.690	SUPPORT, Ctltc Conv Hngr	14033714
	12.	8.931	WASHER, Lk (3/8")			31.	8.900	BOLT, Hex (M8 x 1.25 x 25)	
E 18	13.	3.616	CLAMP, Exh C/Ovr Rr Pipe			32.	8.929	WASHER, Fl (M8)	
			Hngr	14044542		33.	8.977	SCREW, Hex Wa Hd (M8 x	
E 23	14.	3.685	CONVERTER, Ctltc	25056150				2.12 x 30)	
E 24	15.	3.690	HANGER, Ctltc Conv	14044539		34.	N.S.	WASHER, Conv Hngr	
E 17	16.	3.609	PIPE, Exh C/Ovr Frt	14044526	E 18	35.	3.616	HANGER, Exh C/Ovr Rr Pipe	14044541
	17.	8.915	NUT, HEX (3/8"-16)		E 17	36.	3.602	SHIELD, Exh C/Ovr Frt Pipe	
E 18	18.	3.613	STUD, C/Ovr Pipe to Manif	483543				Up	14048926
	19.	8.977	SCREW, Hex W/Fl Wa Tap		E 17	37.	3.602	SHIELD, Exh C/Ovr Frt Pipe	
			(M6.3 x 1.81 x 25)					Lwr	14048925



1

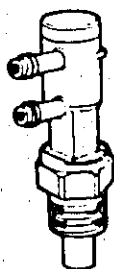


2

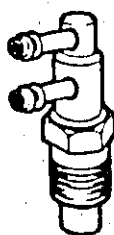


3

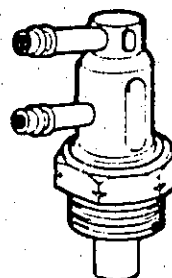
V3-47



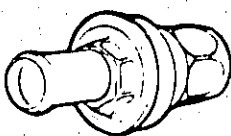
4



5



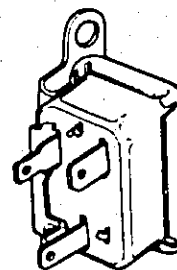
6



7



8



9

V3-47

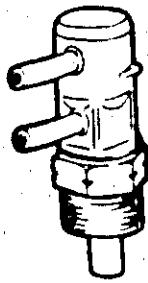
1976-80 EMISSION CONTROL DEVICES

V3-47

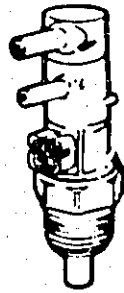
1976-80 EMISSION CONTROL DEVICES

E 20	1.	3.670	VALVE, Egr (Typical)	
E 20	2.	3.670	VALVE, Air Dvtr (Typical)	
E 9	3.	3.140	VALVE, Vac Ck	497853
E 23	4.	3.681	SWITCH, Egr Valve Vac Cont	3031385
E 23	5.	3.681	SWITCH, Egr Valve Vac Cont	373510
E 20	6.	3.670	SWITCH, Egr Valve Vac Cont (2.408)	3031549
E 20	7.	3.670	VALVE, Air Ck	22034702
E 23	8.	3.680	CONNECTOR, Exh Emiss Cont Hose	469550
N 21	9.	4.075	RELAY, Trans Cont Spark	3961573

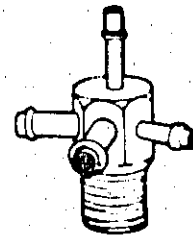
NOTE 1: For specific model application, usage and part number identification on typical views, refer to the individual parts catalog groups. These illustrations are representative of the actual service parts. No scale or size relationship is intended.



1

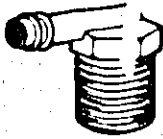


2



3

V3-46



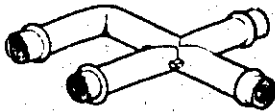
4



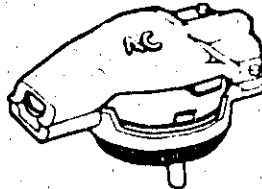
5



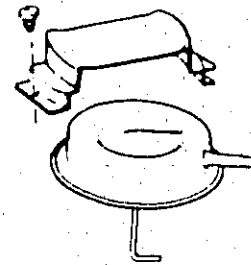
6



7



8



9

V3-46

1976-80 EMISSION CONTROL DEVICES

V3-46

1976-80 EMISSION CONTROL DEVICES

E 23	1.	3.681	SWITCH, Thermo Vac Conn Purge	3039583
E 23	2.	3.681	SWITCH, Exh Ht Vlv Actr Vac Cont	3031386
E 23		3.681	SWITCH, Efe Cont	3041857
E 11	3.	3.278	FITTING, Inlet Mfld Vac	355786
E 11	4.	3.278	FITTING, Inlet Mfld Vac	336013
E 11	5.	3.278	FITTING, Inlet Mfld Vac	473381
E 11	6.	3.279	SEAT, Mfld P/B Hose (6.673)	5681757
E 11	7.	3.278	CONNECTOR, Cruise Cont Vac	556630
E 14	8.	3.415	SENSOR, A/CL Thermal (Typical)	
E 14	9.	3.415	MOTOR, A/CL Diaphragm (Typical)	

NOTE 1: For specific model application, usage and part number identification on typical views, refer to the individual parts catalog groups. These illustrations are representative of the actual service parts. No scale or size relationship is intended.

MICROFICHE INDEX

GROUP 3.000

FICHE 2 OF 6

<u>GROUP DESCRIPTION</u>	<u>STARTING GRID LOCATION</u>	
	<u>PARTS</u>	<u>ILLUSTRATIONS</u>
- INTRODUCTION	A-6	I-2
- GENERAL INFORMATION	A-2	I-2
- ALPHABETICAL INDEX	C-11	N.A.
- INDEX FOR ADDITIONAL INFORMATION	A-5	N.A.
3.000 FUEL - EXHAUST - CARBURETION	E-2	I-6
- CARBURETOR CHARTS	F-20	N.A.
- OUT OF FICHE CALLS	N.A.	N-9

M-1

MICROFICHE INDEX

GROUP 3.000

FICHE 2 OF 6

GROUP DESCRIPTION	STARTING GRID LOCATION	
	PARTS ILLUSTRATIONS	
- INTRODUCTION	A-6	I-2
- GENERAL INFORMATION	A-2	I-2
- ALPHABETICAL INDEX	C-11	N.A.
- INDEX FOR ADDITIONAL INFORMATION	A-5	N.A.
3.000 FUEL - EXHAUST - CARBURETION	E-2	I-6
- CARBURETOR CHARTS	F-20	N.A.
- OUT OF FICHE CALLS	N.A.	N-9

N-1

OUT OF

FICHE

CALLS

1.055 BRACKET-FAN-MOTOR-NUT-SWITCH-WIRE, Engine Air Cooling(Electrical)

78-79	Y	W/A.C., SP. H/PER.	22018952	1	48.85	BRACKET.
81-82	Y		22034728	1	28.00	BRACKET
79-82	Y		22018679	1	25.30	FAN
79-82	Y		22035823	1	59.20	MOTOR.
79-82	Y		22018612	AR	.84	NUT, FAN BLADE
81-82	Y		25036238	1	11.40	SWITCH, ENG TEMP FAN
79-82	Y		12005578	1	34.75	WIRE, AUX CLG FAN JPR

1.066 BELT, Drive Belts

NOTE: REFER TO CHART AT THE END OF 1 000 GROUP FOR V-BELTS.

1.073 BOLT-CAP-STUD, Engine Coolant Pump

82	Y		454487	LH	79	BOLT, LWR (4.085)
64-70	Y		1191141	1	92	CAP, HTR HOSE PIPE
66	Y	(396, 427) W/A.I.R.	461318	LH	72	STUD, UPR
66-68	Y	(427) (EXC. A.I.R.)	3759755	RH	40	STUD, UPR R.H. PUMP ATTACH (5/16-24 X 3/8-16 X 2 9/16)
67	Y	W/A.I.R.	481318	LH	72	STUD, UPR
88-69	Y	(327, 350, 427)	461318	LH	72	STUD, UPR
69-71	Y	(327, 350,	3932368	1	43	STUD, CLNT OTLT (3/8-16 X 1 13/16) (2.277)
70	Y	(350) W/SP. H/PER.	461318	LH	72	STUD, UPR
70-71	Y	(454) W/P.S.	461318	LH	72	STUD, UPR
72-82	Y	(V8) W/70 AMP	481318	LH	72	STUD, UPR
75-81	Y	(327, 350)	3932368	1	43	STUD, CLNT OTLT (3/8-16 X 1 13/16) (2.277)
82	Y		3903324	1	2.40	STUD, COOLANT PUMP UPR LH (3/8-16X1.65/3/8-16X.90)
82	Y	(5.7)	3932368	1	43	STUD, CLNT OTLT (3/8-16 X 1 13/16) (2.277)

1.166 CLAMP, Hose (Radiator, Heater, A.C.)

53-81	Y		1470029	AR	1.60	CLAMP, WORM TYPE (FOR 13/16" DIA.)
53-82	Y		2488394	AR	1.60	CLAMP, WORM ADJ TYPE (1 3/8 TO 2 1/4 DIA.)
53-79	Y		3749810	AR	1.60	CLAMP, HEX HD WORM GEAR (1" TO 6")
53-82	Y		22518665	AR	.43	CLAMP, WORM TYPE(.56" TO 1.08" DIA)
56-82	Y		2465838	AR	1.25	CLAMP, WORM TYPE (2 1/2 TO 3 1/2)
81-82	Y		3786275	AR	.45	CLAMP, HOSF (SPRING BAND) YELLOW-PC (.592)
67-79	Y		2488394	AR	1.60	CLAMP, HEX SL HD (1.82-1.94) (TYPE C HOSE)
70-82	Y		14052374	2	N.L.	CLAMP, WORM TYPE (11/16" X 1 5/16" I.D.)
75-79	Y		8868839	AR	1.75	CLAMP, TYPE D (4 9/32 OPEN, 3 31/32 CLOSD)
76-79	Y		477402	AR	1.15	CLAMP (.31 TO .75 DIA.)
82	Y		22518664	AR	.42	CLAMP, HEX HD WORM(1.08" TO 2.00")

1.270 BOLT-BRACKET-CUSHION-FASTENER-INSULATOR-NUT-PLATE-RETAINER-SCREW -SHIM -SUPPORT-WASHER, Radiator

NOTE 1: WHEN RAD. SUPPORT ASM. 3858963 IS USED IN PLACE OF 3874769, BRACKET ASM. 3797221 MUST ALSO BE USED.

NOTE 2: 1ST DESIGN HAS STUDS AT LOWER CORNERS FOR ATTACHMENT OF FAN SHROUD. 2ND DESIGN HAS NO STUDS.

NOTE 3: IT MAY BE NECESSARY TO ADD TWO 1/4" HOLES FOR ATTACHING UPPER RAD. FAN SHROUD.

NOTE 4: 1ST DESIGN FOR 1982 HAS DEPRESSION AREA OF APPROX. 3 1/2 X 3/8. 2ND DESIGN HAS DEPRESSION AREA OF APPROX. 2 3/4 X 3/8.

1.270

**BOLT-BRACKET-CUSHION-FASTENER-INSULATOR-NUT-
 PLATE-RETAINER-SCREW -SHIM -SUPPORT-WASHER, Radiator
 (Con't)**

74-79	Y		340717	AR	1.25	BOLT, RND HD SQ NK (7/16-14 X 1 3/4 PC)
74-78	Y		340718	AR	.54	BOLT, RND HD SQ NK (7/16-14 X 1 3/4 PC)
66-68	Y (427) (EXC. H.D.)		3886877	LH	3.85	BRACKET, UPR
66-68	Y (427) (EXC. H.D.)		3886878	RH	3.80	BRACKET, UPR
69	Y (EXC. H/PER., SP. H/PER. 427)		3966657	1	3.00	BRACKET, SUPT UPR
70	Y (350) W/M.T. (EXC. A.C., PERF. SUSP.)		3966657	1	3.00	BRACKET, SUPT UPR
71-72	Y (350) W/SP. H/PER., PERF. SUSP.		3966657	1	3.00	BRACKET, SUPT UPR
71	Y W/H.D. RAD. (EXC. SP. H/PER. 454)		3966657	1	3.00	BRACKET, SUPT UPR
71-72	Y W/M.T. (EXC. A.C., H/PER. 454)		3966657	1	3.00	BRACKET, SUPT UPR
73-79	Y		327842	2	2.85	BRACKET, SUPT MT INTER
53-82	Y		367314	AR	.67	CUSHION, SUPT (1 1/2" X 4 X 3/16" THICK)
63-72	Y		3797412	1	.43	CUSHION, UPR
69-72	Y (350) W/M.T. (EXC. A.C.)		3764424	4	.51	FASTENER, SUPT SI SEAL RET (6.758)
66-67	Y (427) (EXC. H.D.)		3886891	4	1.00	INSULATOR, LWR SUPT BRKT (5 3/8)
68	Y		3826891	4	1.00	INSULATOR, LWR SUPT BRKT (5 3/8)
69	Y (427) W/A.C., T.H. 400, H/PER. SP. H/PER.		3886891	4	1.00	INSULATOR, LWR SUPT BRKT (5 3/8)
70	Y (350) W/M.T., A.C. (EXC. H/PER.)		3886891	4	1.00	INSULATOR, SUPT BRKT (5 3/8)
70-72	Y (350) W/A.T.		3886891	4	1.00	INSULATOR, SUPT BRKT (5 3/8)
70	Y (350) W/H/PER.		3886891	1	1.00	INSULATOR, SUPT BRKT (5 3/8)
70-72	Y (454) (EXC. H.D.)		3886891	4	1.00	INSULATOR, SUPT BRKT (5 3/8)
71-72	Y (350) W/M.T., A.C.		3886891	4	1.00	INSULATOR, SUPT BRKT (5 3/8)
73-78	Y (1ST DESIGN)		3886891	4	1.00	INSULATOR, SUPT BRKT (5 3/8)
76	Y (350) W/SP. H/PER. (2ND DESIGN)		379932	4	.85	INSULATOR, UPR SUPT (4")
76-80	Y (350) W/SP. H/PER. (EXC. A.C.) (2ND DESIGN)		379932	4	.85	INSULATOR, UPR SUPT (4")
76	Y (350) W/SP. H/PER. (EXC. A.C.) (2ND DESIGN)		379941	2	.80	INSULATOR, LWR SUPT (4")
76	Y (350) W/SP. H/PER., A.C. (2ND DESIGN)		458355	2	.60	INSULATOR, LWR SUPT (4")
76	Y (350) W/SP. H/PER., A.C. (2ND DESIGN)		458356	2	.60	INSULATOR, UPR SUPT (4")
77-80	Y (350) (EXC. SP. H/PER., H.D. RAD (V01, V08))		379932	2	.85	INSULATOR, UPR SUPT (4")
77-80	Y (350) (EXC. SP. H/PER., H.D. RAD (V01, V08))		379941	2	.60	INSULATOR, LWR SUPT (4")
77-80	Y (350) W/SP. H/PER., (EXC. A.C.)		379941	2	.60	INSULATOR, LWR SUPT (4")
77-80	Y (350) W/SP. H/PER., A.C. (C60)		458355	2	.60	INSULATOR, LWR SUPT (4")
77-80	Y (350) W/SP. H/PER., A.C. (C60)		458356	2	.60	INSULATOR, UPR SUPT (4")
77-81	Y W/H.D. RAD (V01, V08)		452355	2	.60	INSULATOR, LWR SUPT (4")
77-82	Y W/H.D. RAD. (V01, V08) (1ST DES 1982)		458356	2	.60	INSULATOR, UPR SUPT (4") (NOTE 4)
80	Y (305H) (EXC. V08)		379941	2	.80	INSULATOR, LWR SUPT (4")
81	Y (EXC. V08)		379932	2	.85	INSULATOR, UPR SUPT (4")
81	Y (EXC. V08)		379941	2	.80	INSULATOR, LWR SUPT (4")
82	Y (2ND DESIGN)		379932	2	.85	INSULATOR, UPR SUPT (4") (NOTE 4)
82	Y W/H.D. RAD (V01, V08) (1ST DESIGN)		458356	2	.60	INSULATOR, LWR SUPT
82	Y (2ND DESIGN)		379941	2	.60	INSULATOR, LWR SUPT (4")
87-82	Y		3903539	AR	.54	NUT (1/4-20)
69-70	Y (350) W/M.T., A.C. (EXC. H/PER.)		3952974	RH	6.45	PLATE
69-72	Y (350) W/A.T.		3952974	RH	6.45	PLATE
69-72	Y (350) W/A.T.		3952977	LH	4.20	PLATE
69	Y (427) W/H/PER. SP. H/PER. (EXC. A.C.)		3952976	RH	4.20	PLATE
69	Y (427) W/A.C., H/PER., SP. H/PER.		3952977	LH	4.20	PLATE
70	Y (350) W/H/PER.		3952974	RH	6.45	PLATE

1.270

**BOLT-BRACKET-CUSHION-FASTENER-INSULATOR-NUT-
 PLATE-RETAINER-SCREW-SHIM-SUPPORT-WASHER, Radiator
 (Con't)**

70	Y (350) W/M.T., A.C. (EXC. H/PER.)	3952977	LH	4.20	PLATE
70	Y (350, 454) W/H/PER.	3952977	LH	4.20	PLATE
70-72	Y (454) (EXC. H.D. RAD.)	3952973	RH	4.20	PLATE
71-72	Y (350) W/M.T., A.C.	3952974	RH	8.45	PLATE
71-72	Y (350) W/M.T., A.C.	3952977	LH	4.20	PLATE
71-72	Y (454) (EXC. H.D. RAD.)	3952977	LH	4.20	PLATE
73-76	Y	3952976	RH	4.20	PLATE
73-76	Y	3952977	LH	4.20	PLATE
69-79	Y	3988532	AR	.42	RETAINER, SUPT SEAL
77-79	Y	3988532	2	.42	RETAINER, UPR RAD SEAL
82	Y	3988532	2	.42	RETAINER, FRT AIR INT DUCT (PUSH IN)
67-82	Y	3903538	AR	.35	SCREW (1/4-20 X .81)
67-81	Y	3714962	AR	.35	SHIM (1 3/4 X 1 3/4 X 1/16 THK.) (.54 SLOT)
69-73	Y	3952926	4	.35	SHIM, SUPT LWR
63-66	Y (EXC. A.C., 396)	3858963	1	\$9.50	SUPPORT, (NOTE 1)
69	Y (EXC. A.C., T.H. 400, 427)	3988591	1	102.00	SUPPORT
69	Y (427) (EXC. H.D.)	339176	1	142.00	SUPPORT
69	Y (427) W/H.D.	3988597	1	117.00	SUPPORT
69	Y W/A.C. (EXC. T.H. 400, 427 H/PER.)	3988594	1	102.00	SUPPORT
69	Y W/T.H. 400 (EXC. H/PER., SP. H/PER., H.D., 427)	3988594	1	102.00	SUPPORT
70	Y (350) W/M.T., A.C. (EXC. H/PER.)	3988594	1	102.00	SUPPORT
70-72	Y (350) W/SP. H/PER. (EXC. H.D. 4-SPD.)	3988594	1	102.00	SUPPORT
70	Y (350, W/H/PER.	3988594	1	102.00	SUPPORT
70-72	Y (350) W/H.D. 4-SPD., SP. H/PER.	3988597	1	117.00	SUPPORT
70-72	Y (454) (EXC. H.D. RAD.)	339176	1	142.00	SUPPORT
70-72	Y W/A.T. (EXC. 454)	3988594	1	102.00	SUPPORT
70-71	Y W/H.D. RAD.	3988597	1	117.00	SUPPORT
70	Y W/3-SPD. (EXC. A.C., H/PER. 350, 454)	3988591	1	102.00	SUPPORT
71-72	Y (350) W/4-SPD. (EXC. A.C., SP. H/PER.)	3988591	1	102.00	SUPPORT
71-72	Y (350) W/M.T., A.C.	3988594	1	102.00	SUPPORT
73-76	Y	339176	1	142.00	SUPPORT, (NOTE 3)
76	Y (1ST DESIGN)	339176	1	142.00	SUPPORT, (NOTE 2)
76	Y (2ND DESIGN)	14045929	1	142.00	SUPPORT, (NOTE 2)
77-81	Y	14045929	1	142.00	SUPPORT
82	Y	14045929	1	142.00	SUPPORT
53-77	Y	3833049	AR	.54	WASHER, FL (.488 X 1.76 X .18 STL PL)
80-82	Y	3813432	2	.33	WASHER, RAD FAN SHRD (7.833)

1.518 INDICATOR-TUBE, Oil Level

NOTE 1: MUST BE USED WITH TUBE 3981089 ONLY.

NOTE 2: 1ST DES FOR 1976 MEASURES 17 5/16 FROM CAP TO FULL MARK AND 18 3/16 FROM CAP TO ADD MARK.

NOTE 3: 2ND DES FOR 1976 MEASURES 20 IN FROM CAP TO FULL MARK AND 21 IN FROM CAP TO ADD MARK.

NOTE 4: WHEN USING 3981089 IN PLACE OF 3870324, 3981088 INDICATOR MUST BE USED.

53-55	Y (8 CYL.)	3701556	1	2.45	INDICATOR (DIP-STICK)
56-57	Y	3722959	1	2.45	INDICATOR (DIP-STICK)
58-64	Y	3848810	1	2.45	INDICATOR (DIP-STICK)
65-74	Y (327, 350) (EXC. F.I.)	3882730	1	2.20	INDICATOR (DIP-STICK)
65-74	Y (398, 427, 454)	3981088	1	2.60	INDICATOR (DIP-STICK) (NOTE 1)
65-66	Y W/SP. H/PER., F.I. (EXC. 427)	3882730	1	2.20	INDICATOR (DIP-STICK)

1.518		INDICATOR-TUBE, Gil Level		(Con't)
76-76	Y	3951576	1	2.60 INDICATOR (DIP-STICK) (NOTE 2)
76-79	Y	3981019	1	1.80 INDICATOR (DIP-STICK) (NOTE 3)
80-82	Y	14026185	1	1.30 INDICATOR (DIP-STICK)
53-55	Y (8 CYL.)	3828073	1	1.00 TUBE
56	Y (2ND DESIGN)	3732488	1	1.30 TUBE, UPR (8 21/32" O.L.) (CURVED)
56-68	Y (2ND DESIGN) (EXC. 396, 427)	3951600	1	1.30 TUBE, LWR
57-64	Y	3732488	1	1.30 TUBE, UPR (8 21/32" O.L.) (CURVED)
65-74	Y (327, 350)	3865854	1	1.65 TUBE, UPR
65-74	Y (396, 427, 454)	3981039	1	10.90 TUBE (NOTE 4)
69-70	Y (327, 350)	3951600	1	1.30 TUBE, LWP
73-74	Y (350)	3951600	1	1.30 TUBE, LWR
76-79	Y	3951600	1	1.30 TUBE, LWR
76-76	Y (1ST DESIGN)	3876870	1	1.30 TUBE, UPR (6 1/2" FROM SHLDR TO TOP OF TUBE)
76-79	Y (2ND DESIGN)	480147	1	1.40 TUBE, UPR (8 3/4" FROM SHLDR TO TOP OF TUBE)
80-81	Y	14026101	1	1.50 TUBE
82	Y	14055168	1	4.10 TUBE

1.745 ARRESTOR-CONNECTOR -ELBOW-GROMMET-NIPPLE-NUT-TEE-TUBE-VALVE-VENTILATOR , Crankcase

NOTE 1: GROMMET 3831671 REPLACED GROMMET 3715628 AND RETAINER 3727693.

64-66	Y W/CLOSED VENT., A.I.R. (EXC. F.I.)	3849856	1	1.30 ARRESTOR, FLAME
64-65	Y W/F.I.	3857476	1	2.05 ARRESTOR, FLAME C/CASE VENT
67-68	Y (327, 427) (EXC. 3/28C)	3849856	1	1.30 ARRESTOR, FLAME
67	Y (427) W/3/28C	3857476	1	2.05 ARRESTOR, FLAME C/CASE VENT
69-72	Y	3849856	1	1.30 ARRESTOR, FLAME
53-81	Y	3825150	1	2.75 CONNECTOR (1 1/8" LONG)
63-81	Y	3856955	1	4.00 CONNECTOR (5 18/32" LONG)
64-76	Y	655214	1	1.65 CONNECTOR (1 3/16" LONG)
65-73	Y	3868842	1	2.00 CONNECTOR (1 5/8" LONG)
68-74	Y	3923260	1	1.75 CONNECTOR (3 1/4" LONG)
78-81	Y	472852	1	2.45 CONNECTOR, C/CASE VENT HOSE (2" LONG)
76-82	Y	391095	AR	1.55 ELBOW, VENT PIPE (RUBBER GROMMET)
63	Y (8 CYL.)	3831671	1	1.10 GROMMET, VENT. HOSE CONN (NOTE 1)
65-71	Y	3894337	AR	35 GROMMET (15/16 I.D. X 1 7/32 O.D.)
66-67	Y (396, 427) (EXC. SP. H/PER.)	3989347	1	47 GROMMET, VENT VLV
66-67	Y (427) W/SP. H/PER.	3989347	1	47 GROMMET, VENT PIPE, VENT VALVE
68-69	Y (EXC. 396, 427)	3994239	AR	59 GROMMET, C/CASE VENT
68-70	Y (427, 454)	3989347	1	47 GROMMET, VENT. PIPE, VENT. VALVE
69	Y (350)	3989348	RH	72 GROMMET, VENT (3/4" X 1/8" O.D. SQ FLAT)
70-71	Y	3989350	AR	72 GROMMET (23/32" X 1 3/16")
70-71	Y (350) (EXC. H/PER., SP. H/PER.)	3994239	AR	59 GROMMET, VENT HOSE R.H. (23/32 I.D. X 1 7/32 O.D.)
70-71	Y (350) W/H/PER., SP. H/PER.	3989348	RH	72 GROMMET, VENT (3/4" X 1/8" O.D. SQ FLAT)
71-72	Y	3989348	RH	72 GROMMET, VENT (3/4" X 1/8" O.D. SQ FLAT)
71-74	Y (454)	3989347	1	47 GROMMET, VENT (23/32" I.D. X 1 7/16" O.D.)
75-82	Y	3989348	RH	72 GROMMET, VENT (3/4 X 1/8 OD)
76-78	Y (350) (EXC. H/PER.)	3994239	AR	59 GROMMET, VENT HOSE R.H. (23/32 I.D. X 1 7/32 O.D.)
76-80	Y W/SP. H/PER.	3989349	LH	81 GROMMET, VENT. (3/4" X 3/8")
81-82	Y	3989349	LH	81 GROMMET, VENT (3/4 X 3/8 OD)
76-79	Y (EXC. SP. H/PER.)	338018	1	49 NIPPLE, VENT TO MANIF HOSE (1/14" - 18)
82	Y	338018	1	49 NIPPLE, C/CASE VENT TO MANIF HOSE (1/14-18)
82	Y	14047089	1	6.55 NUT, OIL FIL TUBE
64-67	Y	3989020	1	1.20 TEE, C/CASE VENT HOSE (3/8-18 PIPE THDS ONE 3/8 HOSE)
64-65	Y (8 CYL) W/P.G., ALL WEATHER A.C.	338015	1	1.75 TEE, VAC INL MANIF (3/8-18 THDS. AND TWO 1/4 HOSE TAKE-OFFS) (3.278)
70-71	Y (350) W/E.E.C.	3970076	1	2.20 TEE, C/CASE VENT HOSE
73	Y (EXC. SP. H/PER.)	3970076	1	2.20 TEE, EVAP EMISSION HOSE

1.745 ARRESTOR-CONNECTOR -ELBOW-GROMMET-NIPPLE-NUT-TEE-TUBE-VALVE-VENTILATOR , Crankcase (Con't)

80-81	Y (350) W/M.T. (M18)	1234292	1	8.30	TEE, HOSE (4 B.S.)
55-82	Y (8 CYL.)	3711724	1	2.60	TUBE, W/BRKT. FIL (8 13/32" LONG)
63	Y W/SP. H/PER.	3834118	1	9.90	TUBE, FIL (CHROME)
64-65	Y (EXC. SP. H/PER., F.I.)	3846123	1	11.50	TUBE, FIL
64-65	Y (327) W/SP. H/PER., F.I.	3846102	1	8.95	TUBE, FIL
66-67	Y (327)	3888362	1	12.25	TUBE, OIL FIL (CHROME)
68	Y (EXC. 396, 427)	3523234	1	6.15	TUBE, OIL FIL
82	Y	14047081	1	10.60	TUBE, FIL
62	Y (8 CYL.) W/CLOSED VENT. (EXC. 283)	6421934	1	3.00	VALVE, VENT (9CV-590)
63-64	Y (327) (1ST DESIGN)	6421934	1	3.00	VALVE, VENT (9CV-590)
63-64	Y (427) (EXC. 3/2BC) (1ST DESIGN)	6423695	1	N.L.	VALVE, VENT (CV-736C)
66	Y (327)	6422721	1	4.19	VALVE, VENT (CV-726C)
66-67	Y (427) (EXC. 3/2BC) (1ST DESIGN)	6423695	1	N.L.	VALVE, VENT (CV-736C)
66-68	Y (427) W/SP. H/PER (2ND DESIGN)	6423695	1	N.L.	VALVE, VENT (CV-736C)
68-70	Y (427) W/H.D.	6484525	1	2.69	VALVE, VENT (CV-746C)
69-72	Y (8 CYL.) (EXC. H.D. 427, 454, SP. H/PER. 350)	6423695	1	N.L.	VALVE, VENT (CV-736C)
70-73	Y (350) W/SP. H/PER.	6415256	1	2.69	VALVE, VENT (CV-746C)
73	Y (EXC. SP. H/PER.)	6407532	1	N.L.	VALVE, VENT
74-75	Y (EXC. SP. H/PER.)	6487779	1	N.L.	VALVE, VENT (CV-774C)
74-80	Y (350) W/SP. H/PER.	6487946	1	3.14	VALVE, VENT (CV-775C)
76-80	Y (350) (EXC. SP. H/PER.)	6487779	1	N.L.	VALVE, VENT (CV-774C)
80	Y (305)	6487779	1	N.L.	VALVE, VENT (CV-774C)
81	Y (350)	6487779	1	N.L.	VALVE, VENT (CV-774C)
82	Y	25040026	1	N.L.	VALVE, VENT
55-67	Y (265, 283, 327)	3728502	1	24.65	VENTILATOR (MTD. INSIDE OF ENGINE 5 3/4" L.G.)

1.758 CAP-GASKET , Crankcase Oil Filler

63-65	Y (8 CYL.)	6410961	1	N.L.	CAP
55	Y (8 CYL.)	6419440	1	4.33	CAP (AIR BREATHER TYPE FB8)
63-65	Y (EXC. 396)	3714893	1	1.75	CAP
66-67	Y (396, 427)	6410961	1	N.L.	CAP
66-67	Y (327) W/SP. H/PER.	3881834	1	2.20	CAP
66	Y (427) (EXC. SP. H/PER.)	3714893	1	1.75	CAP
67-68	Y	3881834	1	2.20	CAP
68-70	Y (427, 454)	3851735	1	2.75	CAP (CHROME)
69-80	Y	6410961	1	N.L.	CAP (TYPE FC-2)
69-81	Y (350) W/SP. H/PER.	3851735	1	2.75	CAP (CHROME)
71	Y (350)	3980273	1	1.15	CAP (RUBBER PUSH ON TYPE)
71-76	Y (454)	14067301	1	N.L.	CAP (RUBBER PUSH ON TYPE)
81	Y	6410961	1	N.L.	CAP (TYPE FC-2)
81	Y (350)	3851735	1	2.75	CAP
82	Y	14047082	1	3.25	CAP
63-65	Y	3723688	1	.35	GASKET (CORK)

1.762 HOSE-PIPE-TUBE, Crankcase Ventilation

NOTE 1: IT MAY BE NECESSARY TO CUT 6-1/2" FROM LOWER END TO TUBE ASM.

NOTE 2: IT MAY BE NECESSARY TO CUT 1" FROM THE 1-1/8" END.

67	Y (427) W/SP. H/PER.	3902350	1	4.00	HOSE, VENT TO A/CL
68-72	Y (EXC. 427, 454)	3932336	1	4.80	HOSE, VENT A/CL TO RKR CVR (NOTE 2)
68-72	Y (427, 454) (EXC. 3/2BC, SP. H/PER., H.D.)	3916380	1	3.80	HOSE, TO A/CL
73-75	Y	3905087	1	8.45	HOSE, TO A/CL (3.675)
82	Y	14045839	1	2.75	HOSE, VENT
73-75	Y (350)	330534	1	4.80	PIPE
73-74	Y (454)	330523	1	4.60	PIPE
76-80	Y	3970272	1	1.80	PIPE (5 3/4")
81	Y	14067348	1	1.80	PIPE
82	Y	14045840	1	4.90	TUBE, VENT

1.300 SENDER-SENSOR-SWITCH, Oil Pressure or Temperature

73-75	Y	14039612	1	N.L.	SENDER, OIL PRESS
76-81	Y W/GAGES	14039612	1	N.L.	SENDER, OIL PRESS
82	Y	14073454	1	18.50	SENDER, OIL PRESS (3-BLADE TERM. 1/8-27 THREAD)
81-82	Y W/STEREO, C.B.	25036292	1	10.25	SENSOR, OIL TEMP
74-79	Y (EXC. GAGES)	3815936	1	N.L.	SWITCH
77-79	Y (EXC. SP. H/PER.)	3815936	1	N.L.	SWITCH

1.803 BUSHING-ELBOW-FITTING-GAGE-HOSE -PIPE-WASHER, Oil Pressure Gage

74-79	Y	14022028	1	4.90	BUSHING, OIL PRESS SENDER
69-72	Y (398, 427, 454) (EXC. SP. H/PER., H.D.)	3954219	1	2.75	ELBOW, SW
80-81	Y	3954222	1	3.85	FITTING, SENDER
81-82	Y	14047147	1	3.55	FITTING, OIL PRESS CA
68-73	Y	6482978	1	31.30	GAGE
74	Y	64840E1	1	20.40	GAGE
75-76	Y	64842F5	1	18.85	GAGE, W/RES
77	Y	6484F54	1	17.25	GAGE, W/RES
78-82	Y	2502F147	1	18.30	GAGE, W/RES.OIL PRESS
81-82	Y	8903781	1	28.70	GAGE, W/BK PLT.OIL TEMP
73	Y (350)	3906192	1	2.90	HCSE (5/64 I.D. X 1/8 O.D. W/5/16-24 INT. THREAD NUT EACH END) (BLACK NYLON)
70-72	Y (454)	3981580	1	5.10	PIPE, GAGE
82	Y	6455751	AR	.20	WASHER, GAGE MT (3.108)

1.836 ELEMENT-FILTER, Oil Filter

NOTE 1: SOME 1968 MODELS USED 1967 ENGINES. REFER TO NOTE NO. 4 IN GROUP 0.033.
NOTE 2: CONSISTS OF 12 SINGLE ELEMENTS 5574540.

56	Y (8 CYL.)	5572288	1	7.80	ELEMENT (AC P-115) TYPE SC-353 (1 QT. CAP.)
58-67	Y (8 CYL.)	5574540	1	5.93	ELEMENT (AC-PF-141) (PM-16-1) (1 QT. CAP) (FLEET PACK) (REPLACEABLE ELEMENT)
68-67	Y (8 CYL.)	5576054	1	5.08	ELEMENT (FLEET PACK) (TYPE 12-141) (NOTE 2)
68-62	Y	6438261	1	N.L.	FILTER, OIL(PF25) (NOTE 1)

1.837 BODY-VALVE, Oil Filter

58-67	Y (8 CYL.)	5574536	1	18.22	BODY, W/STUD (1 QT. CAP)
58-67	Y (8 CYL.)	5573979	1	16.93	VALVE, BY PASS (1 QT. CAP)
69-70	Y (427) W/AL. CYL. AND CASE	5575418	1	2.38	VALVE, BY PASS

1.844 GASKET, Oil Filter

58-67	Y (8 CYL.)	5573980	1	.45	GASKET, BODY OR CAVITY CVR
82	Y	14047090	1	.61	GASKET, OIL FILL TUBE

2.317 BRACE -SPACER, Generator

NOTE: ORIGINAL EQUIPMENT BRACES MAY BE REPLACED BY SERVICE BRACES WHICH WILL REQUIRE DRILLING OF ATTACHING HOLE AND FORMING.

53-55	Y (8 VOLT) W/SP. EQUIP.	3514929	1	10.55	BRACE (9 13/16 LG-STRAIGHT)
66-67	Y (327) (EXC. SP. H/PER.)	3826928	1	4.45	BRACE (12 37/64 LG-CURVED)
68-67	Y (327) W/SP. H/PER. (EXC. P.S.)	480754	1	2.70	BRACE (11" LG-CURVED)
66-67	Y (327) W/SP. H/PER., P.S. W/A.C.	3028928	1	4.45	BRACE (12 37/64 LG-CURVED)
68-69	Y (427) W/P.S.	3826928	1	4.45	BRACE (12 37/64 LG-CURVED)
68-69	Y (EXC. 427)	3826928	1	4.45	BRACE (12 37/64 LG-CURVED)
68-69	Y (427) (EXC. P.S., H.D.)	3919886	1	6.85	BRACE (12 1/2 LG-CURVED)
70-74	Y (454) (EXC. P.S.)	3919886	1	6.85	BRACE (12 1/2 LG-CURVED)
75-82	Y (EXC. 70 AMP)	480754	1	2.70	BRACE (11" LG-CURVED)
79-81	Y W/70 AMP	14015511	1	2.60	BRACE, GEN ADJ
82	Y	14015511	1	2.60	BRACE, GEN ADJ
69	Y (427)	3940943	1	1.30	SPACER, GEN. TC CYL. HD. (2 7/8" LONG)

2.361 DISTRIBUTOR, Ignition

58-61	Y (EXC. DUAL ABC, F.I.)	1111500	1	133.45	DISTRIBUTOR
62	Y W/SP. H/PER.	1110985	1	309.05	DISTRIBUTOR, W/DUAL POINTS
65	Y (EXC. SP. H/PER., F.I.)	1112021	1	307.10	DISTRIBUTOR
65-67	Y (327) W/SP. H/PER., HYD. LIFTERS (EXC. T. IGN.)	1111196	1	263.00	DISTRIBUTOR
65-67	Y (327) W/SP. H/PER., HYD. LIFTERS, T. IGN.	1111267	1	351.15	DISTRIBUTOR
66-68	Y (327)	1112021	1	307.10	DISTRIBUTOR
66-69	Y (427) W/H/PER. (EXC. T. IGN.)	1111926	1	261.10	DISTRIBUTOR
68	Y (327) W/SP. H/PER., T. IGN.	1112038	1	314.00	DISTRIBUTOR
69	Y (350) (EXC. H/PER., SP. H/PER.)	1112021	1	307.10	DISTRIBUTOR
69	Y (350) W/H/PER., T. IGN.	1111491	1	312.30	DISTRIBUTOR

2.361		DISTRIBUTOR, Ignition		(Con't)	
69	Y (350) W/T. IGN.	1112038	1	314.00	DISTRIBUTOR
69	Y (350) W/SP. H/PER. (EXC. T. IGN.)	1112150	1	313.00	DISTRIBUTOR
70	Y (350) (EXC. SP. H/PER.)	1112021	1	307.10	DISTRIBUTOR
70	Y (350) W/SP. H/PER.	1111491	1	312.30	DISTRIBUTOR
70	Y (454)	1111484	1	198.00	DISTRIBUTOR
71-72	Y (350) (EXC. SP. H/PER.)	1112528	1	271.80	DISTRIBUTOR
71	Y (350) W/SP. H/PER.	1112038	1	314.00	DISTRIBUTOR
71-72	Y (454) W/H/PER.	1112051	1	224.25	DISTRIBUTOR
72-74	Y (350) W/SP. H/PER.	1112150	1	313.00	DISTRIBUTOR
73	Y (350) (EXC. SP. H/PER.)	1112247	1	300.50	DISTRIBUTOR
74	Y (350) W/A.T. (EXC. SP. H/PER.)	1112247	1	300.50	DISTRIBUTOR
74	Y (350) W/M.T. (EXC. SP. H/PER., CALIF.)	1112247	1	300.50	DISTRIBUTOR
74	Y (350) W/M.T., CALIF. (EXC. SP. H/PER.)	1112544	1	254.30	DISTRIBUTOR
75-78	Y (350) (EXC. SP. H/PER., CALIF.)	1103253	1	308.35	DISTRIBUTOR
75-78	Y (350) W/CALIF. (EXC. SP. H/PER.)	1103274	1	313.65	DISTRIBUTOR
75	Y (350) W/SP. H/PER., CALIF.	1112883	1	320.90	DISTRIBUTOR
75	Y W/SP. H/PER., FED.	1112979	1	317.60	DISTRIBUTOR
76	Y W/SP. H/PER., M.T.	1103258	1	308.35	DISTRIBUTOR
76	Y W/SP. H/PER., A.T.	1112979	1	317.60	DISTRIBUTOR
77	Y (EXC. SP. H/PER., CALIF.)	1103248	1	308.35	DISTRIBUTOR
77	Y W/CALIF. (EXC. SP. H/PER.)	1103243	1	280.60	DISTRIBUTOR
77	Y W/SP. H/PER.	1103258	1	308.35	DISTRIBUTOR
78	Y W/A.T. (EXC. SP. H/PER., CALIF.)	1103353	1	308.35	DISTRIBUTOR
78-79	Y W/CALIF. (EXC. SP. H/PER.)	1103285	1	308.35	DISTRIBUTOR
78	Y W/M.T. (EXC. SP. H/PER.)	1103337	1	308.35	DISTRIBUTOR
78-79	Y W/SP. H/PER.	1103291	1	280.60	DISTRIBUTOR
79	Y W/A.T., FED (EXC. SP. H/PER.)	1103302	1	308.35	DISTRIBUTOR
79	Y W/ALT. (EXC. SP. H/PER.)	1103353	1	308.35	DISTRIBUTOR
79	Y W/M.T. (EXC. SP. H/PER.)	1103353	1	308.35	DISTRIBUTOR
80	Y (305)	1103388	1	308.35	DISTRIBUTOR
80	Y (350) W/M.T., SP. H/PER.	1103291	1	280.60	DISTRIBUTOR
80	Y (350) W/A.T. (EXC. SP. H/PER.)	1103353	1	308.35	DISTRIBUTOR
80	Y (350) W/A.T., SP. H/PER.	1103435	1	308.35	DISTRIBUTOR
81	Y (350)	1103443	1	338.65	DISTRIBUTOR
82	Y	1103479	1	303.40	DISTRIBUTOR

**2.383 AMPLIFIER-BRACKET-DIODE-GROMMET-HARNESS-INSULATOR -
MODULE-NUT-RESISTOR -SCREW-SHIELD-STRAP-
TERMINAL BLOCK -TRANSISTOR, Distributor**

64-69	Y W/T. IGN.	3955511	1	267.00	AMPLIFIER, MAGNETIC IMPULSE
70-72	Y (350, 454) W/SP. H/PER.	3955511	1	267.00	AMPLIFIER, MAGNETIC IMPULSE
80-81	Y	14005098	1	4.80	BRACKET, MODULE
64-72	Y W/T. IGN.	1980642	1	21.40	DIODE, ZENER
80	Y (305H)	3979756	1	.66	GROMMET, CLOSED LOOP HARN (9.775)
81-82	Y	3979756	1	.66	GROMMET, CLSD LOOP HARN (9.775)
64-68	Y W/T. IGN.	6295077	1	43.75	HARNESS, AMPF
69	Y W/T. IGN.	6297598	1	56.00	HARNESS, AMPF
70-72	Y (350, 454) W/SP. H/PER.	6297598	1	56.00	HARNESS, AMPF
64-72	Y W/T. IGN.	1982715	1	.18	INSULATOR (MICA)
75-80	Y	1875990	1	N.L.	MODULE, DISTR
81	Y (350)	1978817	1	N.L.	MODULE, DISTR
82	Y	1978908	1	N.L.	MODULE, DISTR
82	Y W/CLSD LOOP	16024701	1	95.00	MODULE, ELEK SPARK
80-82	Y W/CLSD LOOP	14005097	3	73	NUT, MODULE BRKT (M5 X 0.8) (SELF SEALING)
64-72	Y W/T. IGN.	1980640	1	.38	RESISTOR (10 OHM)
64-72	Y W/T. IGN.	1980641	1	.35	RESISTOR (1500 OHM)
75-82	Y	1875948	2	.17	SCREW, W/WA, ROTOR ATTACH
75-82	Y	1891234	1	.29	SCREW, W/LW, MODULE ATTACH
82	Y	1984382	1	.99	SHIELD, MODULE
82	Y W/CLSD LOOP	14047155	1	2.20	SHIELD, ELEK SPARK CONT KNOCK SEN
65-68	Y (396, 427) W/SP. H/PER.	3816059	3	.58	STRAP, AMPF HARN (2.559)
75-82	Y	1892281	1	N.L.	TERMINAL BLOCK (INCLUDES CAPACITOR)
81-82	Y	1979733	1	21.65	TERMINAL BLOCK (MODULE TO ELEK PKG)
64-72	Y W/T. IGN.	1980643	1	12.35	TRANSISTOR, TRIGGER
66-72	Y W/T. IGN.	1980632	1	44.55	TRANSISTOR (2.510)

2.408 CONNECTOR-RELAY-SOLENOID-SWITCH-VALVE, Engine and Transmission Controlled Spark

70-72	Y W/A.T.	8629502	1	2.37	CONNECTOR, CONT SW (4.265)
70	Y	3961573	1	8.15	RELAY, CONT SPARK (4.075)
71	Y	3990842	1	5.25	RELAY, CONT SW REV (4.075)
72	Y	3996297	1	7.90	RELAY, CONT VAC ADVANCE DELAY (4.075)
73	Y	6270698	1	4.35	RELAY, CONT SPARK DELAY (4.075)
70	Y (350)	1114432	1	15.05	SOLENOID, SPARK CONT
70	Y (454) W/H/PER.	1114434	1	15.75	SOLENOID, SPARK CONT
72	Y (350)	1114451	1	17.60	SOLENOID, SPARK CONT
73-74	Y (350) W/M.T.	1997410	1	15.75	SOLENOID, SPARK CONT
73-74	Y (454) W/M.T.	1997411	1	17.60	SOLENOID, SPARK CONT
70-71	Y W/A.T.	6462286	1	3.80	SWITCH, CONT SPARK (4.075)
70-71	Y W/M.T.	3961567	1	5.95	SWITCH, CONT SPARK (4.075)
72	Y W/A.T.	8627332	1	10.60	SWITCH, CONT SPARK (4.075)
72	Y W/M.T.	3996286	1	5.80	SWITCH, CONT SPARK (4.075)
74	Y (454)	3030951	1	N.L.	SWITCH, THERMO VAC (3.670)
80	Y	25040054	1	23.30	SWITCH, THERMO VAC (2.410)
80	Y (305, 350)	3031549	1	13.30	SWITCH, CONT SPARK (3.670)
80	Y (305, 350)	3043015	1	13.45	SWITCH, CONT SPARK (3.140)
81	Y (350)	3031549	1	13.30	SWITCH, CONT SPARK (3.670)
80	Y	14015578	1	4.15	VALVE, SPARK DELAY

2.410 CONTROL-SWITCH, Distributor Vacuum

58-61	Y W/F.I. (EXC. H.L. CAM)	1115355	1	7.70	CONTROL
59-61	Y (8 CYL.) (EXC. DUAL 43C, F.I.)	1116163	1	6.35	CONTROL
62	Y (EXC. SP. H/PER., F.I.)	1116163	1	6.35	CONTROL
63	Y (8 CYL.)	1116163	1	6.35	CONTROL
64-67	Y (327) W/SP. H/PER., F.I.	1116236	1	7.75	CONTROL(W/1111060-62-63-64-69-70-85-86-87-88-119-125-156-157-196)
64	Y (8 CYL.) (EXC. SP. H/PER., F.I.)	1116163	1	6.35	CONTROL
65	Y (327) (EXC. SP. H/PER., F.I.)	1115357	1	7.05	CONTROL
65	Y (396) W/SP. H/PER., T. IGN.	1116163	1	6.35	CONTROL
65-66	Y (396, 427) W/SP. H/PER.	1115360	1	8.10	CONTROL
66-68	Y (327) W/A.I.R. (EXC. SP. H/PER., P.G.)	1115355	1	7.70	CONTROL
66-67	Y (427) (EXC. SP. H/PER., A.I.R.)	1115355	1	7.70	CONTROL(W/1111100-12-17-40-41-42-53-94-1257-1481-1499-1949-50)
67-69	Y (427) (CHAIN DRIVE CAM W/H.D.)	1115373	1	7.30	CONTROL (W/1111240-1295-1927)
67-68	Y (427) W/4BC	1115360	1	8.10	CONTROL
69-70	Y (350) (EXC. H/PER., SP. H/PER.)	1115357	1	7.05	CONTROL(W/1111109-37-73-75-76-98-109-120-126-137-1482-88-89-90-2020)
69	Y (350) W/T. IGN.	1116163	1	6.35	CONTROL
69	Y (350, 427) W/H/PER.	1115360	1	8.10	CONTROL
69	Y (427) W/SP. H/PER.	1116163	1	6.35	CONTROL
70	Y (350) W/H/PER.	1115360	1	8.10	CONTROL
70	Y (350) W/SP. H/PER.	1116163	1	6.35	CONTROL (W/1111491)
70	Y (454) W/H/PER.	1115360	1	8.10	CONTROL(W/1111093-1170-1247-48-1464-93-1926-1954-2021)
71-72	Y (350)	1973437	1	7.00	CONTROL (W/1112038-50)
71	Y (454) (EXC. SP. H/PER.)	1973436	1	7.45	CONTROL
72	Y (454)	1973436	1	7.45	CONTROL (W/1112051)
73-74	Y (350) (EXC. SP. H/PER.)	1973446	1	7.35	CONTROL (W/1112098)
73-74	Y (350) W/SP. H/PER.	1973448	1	7.45	CONTROL (W/1112150)
73-74	Y (454)	1116212	1	6.10	CONTROL (W/1112114)
75	Y	1973482	1	8.05	CONTROL
75	Y	1973517	1	9.15	CONTROL
76-77	Y (EXC. SP. H/PER., CALIF.)	1973517	1	9.15	CONTROL
76	Y (350) W/SP. H/PER., CALIF.	1973508	1	10.05	CONTROL (W/1112979)
76	Y W/A.T. (EXC. SP. H/PER., CALIF.)	1973482	1	8.05	CONTROL
76-77	Y W/SP. H/PER. OR CALIF.	1973577	1	10.40	CONTROL
78-79	Y (350) W/CALIF. (EXC. SP. H/PER.)	1973626	1	10.20	CONTROL
78-79	Y (350) W/SP. H/PER.	1973626	1	10.20	CONTROL
78	Y (350) W/M.T. (M20) (EXC. SP. H/PER.)	1973643	1	10.20	CONTROL
78	Y W/A.T. (EXC. CALIF., SP. H/PER.)	1973624	1	9.15	CONTROL
79	Y W/FED. (EXC. SP. H/PER.)	1973624	1	9.15	CONTROL
80	Y (305)	1973693	1	10.25	CONTROL
80	Y (350)	1973626	1	10.20	CONTROL
80	Y (350) W/ALT. (EXC. SP. H/PER.)	1973024	1	9.15	CONTROL
80	Y (350) W/A.T., SP. H/PER.)	1973644	1	9.30	CONTROL
80	Y (350)	25040055	1	13.10	SWITCH, THERMO VAC
80	Y (305)	25040054	1	23.30	SWITCH, THERMO VAC

2.420 TEE, Distributor Vacuum

69	Y (427) W/3/28C, M40, H/PER.	3752621	1	53	TEE, SPARK CONT HOSE (3.278)
75-82	Y	10003294	1	35	TEE, VAC HOSE (3/16 X 3/16 X 1/4)

2.447 BRACKET-CAPACITOR-CLIP-STRIKER-SWITCH, Stop Lamp

69-78	Y	3962897	1	54	BRACKET, SW
77-82	Y	378216	1	1.05	BRACKET, SW (3 885)
74-77	Y	3981556	1	4.10	CAPACITOR, SW (9.683)
77-81	Y	1381899	1	45	CLIP, STOP LP SW
82	Y	1251368	1	45	CLIP, STOP LP SW (TUBULAR)
69-77	Y (EXC. P.B.)	3974794	1	54	STRIKER, SW
69-75	Y W/P.B.	378216	1	75	STRIKER, SW
76-82	Y	378216	1	75	STRIKER, BRK PED SW
58-79	Y (EXC. P.B., CRUISE CONT.)	1281219	1	1.55	SWITCH,
68	Y	1993446	1	22.05	SWITCH, W/LVR
77-80	Y W/CRUISE CONT.	9794882	1	N.L.	SWITCH,
80	Y W/A.T. (MV4, M33)	25504828	1	N.L.	SWITCH
81-82	Y W/A.T. (EXC. CRUISE CONT.)	25504828	1	N.L.	SWITCH,
81-82	Y W/A.T., CRUISE CONT	9794882	1	N.L.	SWITCH,

2.480 BRACKET-CLIP-EXTENSION-GROMMET-HARNESS-MODULE-WIRE, Chassis Wiring

NOTE 1: WHEN USING 6297660 IN PLACE OF 6297583, USE CONNECTOR ON CLUTCH SAFETY SWITCH LEAD OF 6297583 IN PLACE OF CONNECTOR SAME LEAD ON 6297660.
 NOTE 2: USED ON VEHICLES HAVING A NYLON TUBE TO OIL GAGE.
 NOTE 3: MAKE JUMPER WIRE FOR R.H. HORN.
 NOTE 4: COURTESY LP TIMER MTD. BEHIND INST PNL. AND LEFT OF STRG. COL.
 NOTE 5: COURTESY LP TIMER MTD. BEHIND INST PNL. AND RIGHT OF THE GLOVE BOX.
 NOTE 6: ANTI-THEFT SWITCH MOUNTED IN FENDER.
 NOTE 7: ANTI-THEFT SWITCH MOUNTED IN DOOR LOCK.
 NOTE 8: SALVAGE IGNIT SWITCH LP & BRKT FROM OLD HARN OR MAKE NEW BRACKET & INSTALL ON NEW HARN.

82	Y	14043271	1	31	BRACKET, I/P WRG HARN
80	Y W/FED	356298	1	67	CLIP, I/P WRG HARN (2.559)
64-66	Y	2987817	2	15.00	EXTENSION, HDLP HARN(MAIN WRG)
68-75	Y	3919057	2	36	GROMMET (MAIN WRG)(9.775)
58-62	Y	2970213	1	11.75	HARNESS, REG TO GEN (CVR 11 O.L.) (SEGMENTED)
58-62	Y	2980982	1	219.00	HARNESS (CVR 148 O.L.) (W/JUNC BLK) (FWD LP & INST CSTR) (SEGMENTED)
63-65	Y	2983080	1	60.00	HARNESS, HDLP(SEGMENTED)
63	Y	2983972	1	351.00	HARNESS, I/P WRG (NOTE 8)
65-66	Y	2988889	1	351.00	HARNESS, I/P WRG
66	Y	6289375	1	84.25	HARNESS (MAIN WRG)
67	Y	6291166	1	351.00	HARNESS, I/P WRG
67	Y	6292088	1	112.00	HARNESS (MAIN WRG)
70-71	Y	8301918	1	220.00	HARNESS (MAIN WRG) (NOTE 3)
70-74	Y W/ELEC WDO	8901971	1	84.00	HARNESS, WDO REG (SEGMENTED) (13.090)
71-73	Y W/A.C.	8908175	1	435.00	HARNESS, I/P WRG
72-73	Y	8908264	1	191.00	HARNESS (MAIN WRG)
73	Y W/A.C.	8908341	1	435.00	HARNESS, I/P WRG (NOTE 2)
74	Y W/A.C.	8908357	1	435.00	HARNESS, I/P WRG
75	Y	8908472	1	220.00	HARNESS (MAIN WRG)
75	Y W/A.T.	12001665	1	394.00	HARNESS, I/P WRG
75	Y W/ELEC WDO	12003664	1	125.00	HARNESS, WDO REG (SEGMENTED) (13.090)
76	Y	8918198	1	224.00	HARNESS (MAIN WRG)
76	Y W/A.T.	8918199	1	353.00	HARNESS, I/P WRG
76	Y W/M.T.	8916200	1	353.00	HARNESS, I/P WRG
77	Y (1ST DESIGN)	8916431	1	224.00	HARNESS, FWD LP WRG (MAIN WRG) (NOTE 6)
77	Y (1ST DESIGN)	12003773	1	353.00	HARNESS (SEGMENTED) (NOTE 6)
77	Y (2ND DESIGN)	12005302	1	202.00	HARNESS, FWD LP WRG (MAIN WRG) (NOTE 7)
77	Y (2ND DESIGN)	12005303	1	353.00	HARNESS (SEGMENTED) (NOTE 7)

**2.480 BRACKET-CLIP-EXTENSION-GROMMET-HARNESS-MODULE-WIRE,
Chassis Wiring (Con't)**

78	Y	12005321	1	352.00	HARNESS, I/P WRG (NOTE 4)
78-79	Y	12005527	1	224.00	HARNESS, GEN & FWD LP(MAIN WRG)
78	Y	12005550	1	353.00	HARNESS, I/P WRG (NOTE 5)
79	Y (EXC PWR DR LKS, PWR WIND, DELAY DOME LPS, PULSE WPRS)	12005800	1	372.00	HARNESS, I/P WRG
79	Y W/PWR DR LKS, ELEC WDO, DELAY DOME LPS.	12005741	1	372.00	HARNESS, I/P WRG PULSE WPR
80	Y W/A.T. (MV4, M33)	12005831	1	397.00	HARNESS, I/P
80	Y W/M.T. (M18)	12005830	1	427.00	HARNESS, I/P
80	Y (305) W/CLSD LOOP	12005838	1	125.00	HARNESS, I/P WRG
80	Y (305) W/CLSD LOOP	12005895	1	132.00	HARNESS, CLOSED LOOP ENG COMPT (MAIN WRG)
80	Y (305) W/CLSD LOOP	12005896	1	381.00	HARNESS, CLOSED LOOP I/P(MAIN WRG)
81	Y W/A.T. (MX3)	12018483	1	427.00	HARNESS, I/P
81	Y W/CLSD LOOP	12018302	1	397.00	HARNESS, CLOSED LOOP I/P(MAIN WRG)
81	Y W/CLSD LOOP	12018304	1	178.00	HARNESS, CLOSED LOOP ENG COMPT (MAIN WRG)
81	Y W/M.T. (M18), CLSD LOOP	12018303	1	397.00	HARNESS, CLOSED LOOP I/P(MAIN WRG)
81	Y W/M.T. (M18)	12018388	1	389.00	HARNESS, I/P
82	Y	12018698	1	375.00	HARNESS, ELEK CONT MDL
82	Y W/A.T. (MD8)	12018718	1	598.00	HARNESS, I/P
82	Y W/A.T. (MD8), FED, CALIF	12027103	1	624.00	HARNESS, I/P WRG
82	Y W/STEREO, C.B	12018405	1	224.00	HARNESS, GEN & FWD LP
82	Y (EXPORT, CANADA)	12018878	1		HARNESS, I/P
79-80	Y	470354	1	3.10	MODULE, DM LP JPR(MAIN WRG)
73-79	Y	12007925	1	8.45	WIRE, BRK COMB VLV JPR ADAP (MAIN WRG)
76	Y W/DELAYED DOME LP (1ST DESIGN)	12005388	1	23.55	WIRE, CTSY LP DELAY TIMER (MAIN WRG) (NOTE 4)
78	Y W/DELAYED DOME LP (2ND DESIGN)	12005554	1	23.55	WIRE, CTSY LP DELAY TIMER (MAIN WRG) (NOTE 5)
80-81	Y	12005893	1	5.40	WIRE, OIL PRESS SENDER(MAIN WRG)
80-82	Y W/STEREO (UM2, UN3, UM4, UM5, UM6, UN5)	12005917	1	55.25	WIRE, BAT CHR G CIRC(MAIN WRG)
80-81	Y W/STEREO (UM2, UN3, U58, CB, U69)	12018015	1	225.00	WIRE, GEN & FWD LP WRG(MAIN WRG)
80	Y (350) W/SP H/PERF	12005891	1	46.50	WIRE, STARTER MTR SOL JPR (MAIN WRG)
81	Y	12018355	1	38.00	WIRE, ANTI THEFT DISARM DR LK JPR I/P WRG

2.559 BRACKET-CLIP-COVER-NUT -SHIELD-STRAP, Chassis Wiring
Harness

75-78	Y	495189	2	.30	BRACKET, VAC HOSE RET TO RKR CVR
79	Y	495189	AR	.30	BRACKET, WIRE VLV CVR
81	Y	14032058	1	.63	BRACKET, START MTR SOL JPR WIRE
82	Y	14047188	1	.63	BRACKET, START MTR SOL JPR WIRE
53-82	Y	6270410	1	.38	CLIP, TUBE (.700-HOLE .344 ID-PH-RUB CTD)
84-82	Y	340818	AR	.25	CLIP, A/C EVAP OTLT HOSE (CLOSED TYPE)
85-80	Y	9798433	AR	.44	CLIP, HDLP, ENG WRG, GEN AND FWD LP
68-72	Y	3927327	1	.44	CLIP, WDO REG WRG HARN CLIP, FUEL TANK MTR WRG
71-77	Y	9798433	AR	.44	CLIP, WRG HARN TO CNSL, A/C WRG HARN
74-79	Y	339858	AR	.30	CLIP, CLOSED (3/4 X 11/32 HOLE) (PHOS RUB)
74-77	Y	3833476	1	.44	CLIP, I/P WRG HARN TO PARK BRAKE
76-78	Y	3866187	1	.44	CLIP, I/P WIRE HARN TO PARK BRK BRKT
76-79	Y	3954218	AR	.57	CLIP, PARK LP WIRE
77-82	Y	3901794	3	.54	CLIP, ENG WRG HARN TO DASH
77-82	Y (EXC H/PER.)	3901794	1	.54	CLIP, START MTR SOL JPR WIRE
78	Y	527881	2	.44	CLIP, A/C WRG HARN TO MOD DUCT
78-80	Y	9798835	2	.38	CLIP, I/P WRG HARN
78-79	Y W/M.T. (M20) (EXC. SP. H/PER.)	368017	AR	.44	CLIP, ENG WRG HARN
79-81	Y W/M.T. (M18, M20, M21)	3901794	1	.54	CLIP, I/P WRG HARN TO PLNM
80	Y W/CLSD LOOP	3825416	1	1.15	CLIP, I/P WRG HARN
81-82	Y	3825416	1	1.15	CLIP, I/P WRG HARN
82	Y	570204	AR	1.20	CLIP, S TYPE (3/8 & 5/16 WIRE .08 THK PNL PC)
82	Y	2281863	AR	.18	CLIP, OPEN 3/4 CABLE, 13/32 ATCH HOLE, ZC PLTD, RUB CTD, WIRE HARN ATTACH
82	Y	3901794	1	.54	CLIP, I/P WRG HARN
82	Y	14043252	1	.35	CLIP, ELEK CONT MDL HARN
82	Y W/FED, CALIF	342676	AR	.38	CLIP, ELEC CONT MDL HARN (7.346)
82	Y	14043253	1	1.25	COVER, ELEC CONT MODULE WRG
78-82	Y	10010594	1	1.05	NUT (M16 X 1-6H)(BRASS)(9 242)
77-78	Y (350) (EXC. SP. H/PER.)	6258203	1	1.30	SHIELD, ENG WIRE HARN
80	Y W/STEREO (UM2, UN3)	14020100	1	4.05	SHIELD, BAT CHRG CIRC WIRE
81-82	Y W/STEREO (UM4, UM5, UM6, UN5)	14020100	1	4.05	SHIELD, BAT CHRG CIRC WIRE
73-77	Y	3818659	1	.58	STRAP, WRG HARN
82	Y	3818659	AR	.58	STRAP, PLASTIC 7" ADJUSTABLE

2.815 RELAY-WIRE, Horn

55-82	Y (12 VOLT)	1116781	1	9.70	RELAY
83-88	Y	1115824	1	15.40	RELAY
88-71	Y	1115889	1	12.95	RELAY, W/BUZZER
88-77	Y W/ANTI-THEFT	1115870	1	10.20	RELAY (2.195)
72-73	Y	3998283	1	11.55	RELAY
74-78	Y	344813	1	4.85	RELAY
74-82	Y	25513270	1	N.L.	RELAY
82	Y	12021893	1	6.20	WIRE, HORN JPR

3-SPEED MANUAL TRANSMISSION

4.075 RELAY-SWITCH, Transmission Control Spark

NOTE: SEE 2.408 GROUP FOR ELECTRICAL PARTS.

70	Y	3981573	1	6.15	RELAY, CONT SPARK
70	Y	3981587	1	5.95	SWITCH, CONT SPARK

4.081 MOUNTING, Transmission Mounting

NOTE 1: 3 3/4 BETWEEN CENTER LINES OF BOLT HOLES.

83	Y	3913498	1	9.75	MOUNTING, (NOTE 1)
84-70	Y	3913498	1	9.75	MOUNTING, SUPT

4.342 CABLE-CABLE KIT, Transmission to Speedometer

NOTE 1: FOR MODELS REQUIRING MAXIMUM LENGTH OF 70". CUT TO REQUIRED LENGTH.
NOTE 2: FOR MODELS REQUIRING LENGTH OF 81" TO 145". CUT TO REQUIRED LENGTH.

53-70	Y	6480250	1	N.L.	CABLE, W/CASING (1426.5 MM)
53-70	Y	6480254	1	N.L.	CABLE, W/CASING (2025.0MM)
53-70	Y	6480373	1	N.L.	CABLE, W/CASING (SCREW ON) (50" TO 60")
65-67	Y (8 CYL.) (EXC. F.I. W/H.I. CAM)	6480370	1	11.55	CABLE, W/CASING (SCREW ON) (40" CASING)
65-66	Y	6480249	1	N.L.	CABLE, W/CASING (1525MM)
65-69	Y	6480374	1	12.09	CABLE, W/CASING (68" CASING)
65-70	Y	6480375	1	23.80	CABLE, W/CASING (92 1/2")
68-70	Y	6480241	1	N.L.	CABLE, W/CASING LWR FLEX (600MM)
69-70	Y	6480230	1	N.L.	CABLE, W/CASING (41" TO 44")
53-70	Y	6477499	1	N.L.	CABLE KIT (LESS CASING) (70" LONG) (NOTE 1)
53-70	Y	6478825	1	10.15	CABLE KIT (LESS CASING) (NOTE 2)

4-SPEED MANUAL TRANSMISSION

4.047 BRACKET, Transmission Control Cable

82	Y	14038660	1	4.45	BRACKET, T.V. CONT CBL
----	---	----------	---	------	------------------------

4.075 RELAY-SWITCH, Transmission Control Spark

70	Y	3981573	1	6.15	RELAY, CONT SPARK
71	Y	3990842	1	5.25	RELAY, CONT SW REV
71	Y	3990843	1	6.40	RELAY, CONT SW DELAY
72-75	Y	3981573	1	6.15	RELAY, SEAT BELT WRNG AND PARK BRK
72	Y	3996297	1	7.90	RELAY, CONT VAC ADVANCE DELAY
73-74	Y	6270698	1	4.35	RELAY, CONT SPARK DELAY
70-71	Y	3981587	1	5.95	SWITCH, CONT SPARK
72-74	Y	3996288	1	5.80	SWITCH, CONT SPARK

4.081 MOUNT, Transmission Mounting

NOTE 1: 3 3/4 BETWEEN CENTER LINES OF BOLT HOLES.

83	Y	3913498	1	9.75	MOUNT, (NOTE 1)
84-81	Y	3913498	1	9.75	MOUNT

4-SPEED MANUAL TRANSMISSION

4.342 CABLE -CABLE KIT -CLIP, Transmission to Speedometer

NOTE 1: FOR MODELS REQUIRING MAXIMUM LENGTH OF 70". CUT AS REQ'D.

57-77 Y	6478825	1	10.15	CABLE (LESS CASING) (171" O.L.) (81" TO 145")
57-73 Y	6480230	1	N.L.	CABLE, W/CASING (41" TO 44")
57-75 Y	6480250	1	N.L.	CABLE, W/CASING (1426.5 MM) (LWR)
57-71 Y	6480254	1	N.L.	CABLE, W/CASING (SCREW ON) (2025.0MM)
57-71 Y	6480373	1	N.L.	CABLE, W/CASING (SCREW ON) (56" TO 60")
57-73 Y	6480375	1	23.60	CABLE, W/CASING (92 1/2")
57-73 Y	25032278	1	N.L.	CABLE, W/CASING (SCREW ON) (60" TO 64")
57-77 Y (M20, M21)	25032096	1	N.L.	CABLE, W/CASING (SCREW ON) (73.82") (1875.0MM)
72-73 Y	6480254	1	N.L.	CABLE, W/CASING (LWR) (2025.0MM)
72-73 Y	6480373	1	N.L.	CABLE, W/CASING (1476.5MM)
76-77 Y (M20, M21)	25032096	1	N.L.	CABLE, W/CASING (1800.0MM)
77 Y W/CRUISE CONT. (1ST DESIGN)	6479743	1	4.59	CABLE (LESS CASING) LWR (34.12")
77-81 Y W/CRUISE CONT	6479947	1	4.38	CABLE (LESS CASING) UPR (20.7") (535.6MM)
77-81 Y W/CRUISE CONT (2ND DESIGN)	6480027	1	4.32	CABLE (LESS CASING, LWR (50.5") (1280.6MM)
77-80 Y W/CRUISE CONT	6480249	1	N.L.	CABLE, W/CASING (LWR) (1525.0MM)
78-80 Y (EXC. CRUISE CONT.)	6480075	1	4.70	CABLE (LESS CASING) (82") (1585.6MM)
78 Y (M20) (EXC. SP. H/PER.)	6480075	1	4.70	CABLE (LESS CASING) (82") (1585.6MM)
78 Y (M20) (EXC. SP. H/PER.)	25032868	1	13.85	CABLE, W/CASING (1550.0MM)
78 Y (M20, M21) W/SP. H/PER.	6480078	1	5.25	CABLE (LESS CASING) (71.8") (1835.6MM)
78 Y (M20, M21) W/SP. H/PER.	25032096	1	N.L.	CABLE, W/CASING (1800.0MM)
79-81 Y	6480078	1	5.25	CABLE (LESS CASING) (71.9") (1835.6MM)
79-81 Y (M18, M20, M21)	25032096	1	N.L.	CABLE, W/CASING (1800.0MM)
81 Y	25032877	1	16.00	CABLE, W/CASING (1825.0MM)
57-79 Y	6477499	1	N.L.	CABLE KIT (LESS CASING) (NOTE 1)
83-73 Y	9798433	AR	.44	CLIP, SHAFT (2.559)

AUTOMATIC TRANSMISSION (1968 - 1982)

4.047 BRACKET-CABLE-PIN-PLATE-SPRING-WASHER, Transmission Shift Control Cable

68-78 Y (M40)	9788709	1	4.20	BRACKET, CONT CABLE MT
77-81 Y	367913	1	4.55	BRACKET, CONT CABLE
82 Y	14030184	1	1.20	BRACKET, CONT CBL
82 Y	14038660	1	4.45	BRACKET, T.V. CONT CBL
68-78 Y	3958079	1	25.50	CABLE
77-82 Y	357748	1	25.75	CABLE
68-78 Y	9779348	1	1.60	PIN, CONT CABLE SEL LVR (1/4 X 21/64)
79-82 Y	10005139	1	1.25	PIN, CONT CABLE (METRIC THD)
68-77 Y	3926278	1	1.15	PLATE, CONT CABLE SEAT RET TAPPING
74-82 Y	334961	1	.45	SPRING, CONT CABLE RET OR YOKE (4.681)
77-82 Y	3718496	1	.28	WASHER, CONT CABLE (0.662)

4.050 BRACKET-CABLE-SEAL, Transmission Detent Control

NOTE 1: WHEN USED IN PLC OF 1260459, ALSO USE SEAL 1262475.

74-78 Y (M38)	8840493	1	.84	BRACKET, DETENT VLV
76-81 Y	8840493	1	.84	BRACKET, DETENT VLV ACTR LVR
76-77 Y	1262620	1	16.55	CABLE, (NOTE 1)
78-80 Y (MV4, M33, M39)	1262620	1	16.55	CABLE, (NOTE 1)
81 Y	25507541	1	16.55	CABLE
82 Y	25515601	1	16.20	CABLE
76-78 Y (1ST DESIGN)	6284901	1	.57	SEAL, DETENT CONT CBL (O-RING)
78 Y (M38) (2ND DESIGN)	1262475	1	.57	SEAL, DETENT CONT CBL (MULTI LIP)
79-81 Y	1262475	1	.57	SEAL, DETENT CONT CBL (MULTI LIP)
82 Y	1262476	1	.57	SEAL, THROT VLV CBL (MULTI LIP)

AUTOMATIC TRANSMISSION (1968 - 1982)

4.057		SWITCH, Transmission Control	
88-89	Y	1993424	1 10.25 SWITCH
70-77	Y (M40)	1242101	1 5.95 SWITCH, DNSHFT
4.060		BRACKET-RETAINER, Transmission Control Switch	
70-73	Y	340693	1 4.95 BRACKET
76-76	Y	340693	1 4.95 BRACKET
77-82	Y	584708	1 .36 RETAINER
4.075		CONNECTOR-RELAY-SWITCH-WIRE, Transmission Smog Control	
NOTE: SEE 2.408 GROUP FOR ELECTRICAL PARTS.			
70-72	Y	8629502	1 2.37 CONNECTOR, CONT SW (ELEC.)(4.265)
70	Y	3981573	1 6.15 RELAY, CONT SPARK
71	Y	3990842	1 5.25 RELAY, CONT SW REV
71	Y	3990843	1 6.40 RELAY, CONT SW DELAY
72	Y	3996297	1 7.90 RELAY, CONT VAC ADVANCE DELAY
73	Y	8270898	1 4.35 RELAY, CONT SPARK DELAY
69-72	Y	1242101	1 5.95 SWITCH, CONT (4.057)
70-71	Y	8482288	1 3.60 SWITCH, CONT SPARK
72	Y	8627332	1 10.60 SWITCH, CONT SPARK
73	Y (350)	8627332	1 10.60 SWITCH, CONT SPARK
70-72	Y	8626428	1 2.76 WIRE, W/CONN SPARK SW TO CASE CONN
73	Y (350)	8626428	1 2.76 WIRE, T.C.S. SW TO ELEC CONN LEAD
4.081		MEMBER-MOUNT , Transmission Mounting	
82	Y	14038295	1 53.50 MEMBER, SUPT CR
68-77	Y (M40)	3872247	1 11.15 MOUNT (ORANGE PAINT MARKING)
76-79	Y	3913498	1 9.75 MOUNT
80-82	Y	14018920	1 9.75 MOUNT
4.115		BOLT-CONNECTOR-CONVERTER-PIN-RETAINER-SEAL- SWITCH-VALVE-WIRE, Transmission Converter	
NOTE 1: LIST PRICE SHOWN DOES NOT INCLUDE EXCHANGE CHARGE. REFER TO DEALER PARTS PRICE SCHEDULE FOR EXCHANGE CHARGE.			
73-82	Y	3987930	AR .57 BOLT (3/8-16 X 19/32)
79-82	Y	1281988	AR .50 BOLT, TRANS TO FLYWHEEL (M10 X 1.5 X 15)
80	Y	12300205	1 7.80 CONNECTOR, W/SEALS (ELECTRICAL)
81-82	Y (MD8)	8634383	1 12.60 CONNECTOR, W/SEALS, CONVR CLU (ELECTRICAL)
68-72	Y (350)	8627947	1 154.00 CONVERTER, TORQUE (EXCHANGE ITEM) (NOTE 1)
68-69	Y (427) (EXC. SP. H/PER., H.D.)	8627948	1 154.00 CONVERTER, TORQUE (EXCHANGE ITEM) (NOTE 1)
69	Y (427) SP. H/PER., H.D.	8825982	1 154.00 CONVERTER, TORQUE (COMPLETE; (EXCHANGE ITEM) (NOTE 1)
70-74	Y (454) (EXC. H.D., SP. H/PER.)	8627948	1 154.00 CONVERTER, TORQUE (EXCHANGE ITEM) (NOTE 1)
71	Y (454) W/SP. H/PER.	8825982	1 154.00 CONVERTER, TORQUE (COMPLETE) (EXCHANGE ITEM) (NOTE 1)
73-78	Y (350) (EXC. SP. H/PER.)	8627947	1 154.00 CONVERTER, TORQUE (EXCHANGE ITEM) (NOTE 1)
78	Y (M38) (EXC. CALIF.)	3948983	1 154.00 CONVERTER, TORQUE (EXCHANGE ITEM) (NOTE 1)
76-79	Y (M38) (EXC. SP. H/PER.)	3983871	1 154.00 CONVERTER, TORQUE (EXCHANGE ITEM) (NOTE 1)
76-77	Y (M40)	8825982	1 154.00 CONVERTER, TORQUE (COMPLETE) (EXCHANGE ITEM) (NOTE 1)
78-79	Y W/SP. H/PER.	475524	1 154.00 CONVERTER (EXCHANGE ITEM) (NOTE 1)
80	Y (MV4)	8641919	1 310.00 CONVERTER, TORQUE (EXCHANGE ITEM) (NOTE 1)
80	Y (305)	8627948	1 154.00 CONVERTER, TORQUE (EXCHANGE ITEM) (NOTE 1)
81	Y (MX3)	8641928	1 310.00 CONVERTER (REMANUFACTURED)
82	Y	8642938	1 310.00 CONVERTER (REMANUFACTURED)
80	Y (MV4)	112494	1 .30 PIN, CONV CLU VLV
81	Y (MX3)	112494	1 .30 PIN, CONV CLU VLV
81	Y	1251386	1 .54 RETAINER, CONV CLU CONT SW (3.885)
75-82	Y	8284903	1 .40 SEAL, O RING(4.338)
80	Y (MV4)	14014519	1 13.60 SWITCH, TRANS CONV VAC
81-82	Y	25509432	1 13.95 VALVE, CONV CLU CONT(3.885)
80	Y (MV4)	12005892	1 32.75 WIRE, TORQ CONV CLU SW
81	Y	12016301	1 33.00 WIRE, TORQ CONV CLU SW
82	Y	12016433	1 33.00 WIRE, TORQ CONV CLU SW

AUTOMATIC TRANSMISSION (1968 - 1982)

4.205		HOSE-MODULATOR-MODULATOR KIT-PIPE-RETAINER-SEAL-TEE-VALVE, Transmission Vacuum		
74	Y	326580	2	.71 HOSE, VAC MOD PIPE
76-79	Y (M38)	359917	1	N.L. MODULATOR
80	Y (MV4)	359917	1	N.L. MODULATOR
80	Y (M33)	6259799	1	N.L. MODULATOR
81	Y (MX3)	458464	1	13.50 MODULATOR
88-76	Y (M40)	3027222	1	N.L. MODULATOR KIT, W/O RING
76-77	Y (M40)	3027842	1	N.L. MODULATOR KIT, W/O RING
88-77	Y (M40)	3937972	1	15.30 PIPE, VAC MOD
88-77	Y (M40)	8627660	1	.55 RETAINER, VAC MOD
76-79	Y (M38)	6281286	1	.59 RETAINER, VAC MOD
80	Y (M33, MV4)	6281286	1	.59 RETAINER, VAC MOD
81	Y (MX3)	6281286	1	.59 RETAINER, VAC MOD
88-71	Y W/A.T.	6264903	1	.40 SEAL, VAC MOD TO CASE (4.338)
89	Y (427) W/H/PER.	3752821	1	.53 TEE, SPECIAL HOSE (NYLON) SV. HOSE (3.278)
88-77	Y (M40)	8523983	1	8.20 VALVE, MOD
76-79	Y (M38)	6281518	1	5.80 VALVE, MOD
80	Y (MV4)	14020890	1	8.10 VALVE, VAC DELAY
80	Y (M33, MV4)	6281518	1	5.80 VALVE, MOD
81	Y (MX3)	6281518	1	5.80 VALVE, MOD
4.342		CABLE-CLIP, Transmission to Speedometer		
57-76	Y	6480241	1	N.L. CABLE, W/CASING LWR FLEX (800.0 MM)
63-67	Y	6480367	1	12.15 CABLE, LESS CASING
68-77	Y	6477499	1	N.L. CABLE (CONSISTS OF SHAFT AND TIP) (70" O.L.)
68-77	Y	6478825	1	10.15 CABLE, LESS CASING (81" TO 145")
68	Y	6480250	1	N.L. CABLE, W/CASING (1426.5 MM)
68	Y	6480254	1	N.L. CABLE, W/CASING (SCREW ON) (2025.0MM)
68	Y	6480370	1	11.55 CABLE, W/CASING UPR (40") (SCREW ON)
68	Y	6480373	1	N.L. CABLE, W/CASING (SCREW ON) (56" TO 60")
68	Y	25032278	1	N.L. CABLE, W/CASING (SCREW ON) (60" TO 64")
69-73	Y	6480230	1	N.L. CABLE, W/CASING (41" TO 44")
69-73	Y	25032098	1	N.L. CABLE, W/CASING (SNAP ON) (69" TO 72")
69-76	Y	25032868	1	12.45 CABLE, W/CASING UPR (SNAP ON) (1025.0 MM)
74-76	Y	25032868	1	13.85 CABLE, W/CASING (1550.0 MM)
76-81	Y (EXC. CRUISE CONT.)	25032868	1	13.85 CABLE, W/CASING (1550.0 MM)
77-78	Y (EXC. CRUISE CONT) (2ND DESIGN-1977)	6480075	1	4.70 CABLE, LESS CASING (62") (1586.6 MM)
77	Y W/CRUISE CONT (1ST DESIGN)	6479743	1	4.59 CABLE, LESS CASING (LWR) (34.12")
77-80	Y W/CRUISE CONT	6479947	1	4.38 CABLE, LESS CASING UPR (20.7") (535.6 MM)
77-82	Y W/CRUISE CONT (2ND DESIGN 1977)	6480027	1	4.32 CABLE, LESS CASING LWR (50.5") (1260.6 MM)
77-82	Y W/CRUISE CONT.	6480249	1	N.L. CABLE, W/CASING LWR (1525 MM)
77-82	Y W/CRUISE CONT.	25032874	1	11.10 CABLE, W/CASING UPR (525.0MM)
80	Y (EXC. CRUISE CONT)	6480075	1	4.70 CABLE, LESS CASING (62") (1586.6 MM)
81-82	Y (EXC. CRUISE CONT)	25032873	1	15.25 CABLE, W/CASING (1575.0 MM)
89-72	Y W/QUICK RELEASE CABLE	25018200	1	1.36 CLIP, INST CSTR CBL REL(9.761)
73-76	Y	9798433	1	.44 CLIP, SPEEDO FLEX SHF (2.559)

AUTOMATIC TRANSMISSION (1953 - 1967)

4.050 ROD, Transmission Throttle Valve					
67	Y W/F.I.	3827896	1	2.50	ROD, THROTTLE VLV C/SHF (9 3/8" O.L.) (3.430)
63-67	Y (327)	3830310	1	2.00	ROD, THROTTLE VLV CONT. LWR
4.081 MOUNTING, Transmission Mounting					
NOTE 1: 3 3/4 BETWEEN CENTER LINES OF BOLT HOLES					
63	Y	3913498	1	9.75	MOUNTING, (NOTE 1)
4.115 BOLT-CONVERTER-RETAINER-SEAL, Transmission					
NOTE 1: LIST PRICE SHOWN DOES NOT INCLUDE EXCHANGE CHARGE. REFER TO DEALER PARTS PRICE SCHEDULE FOR EXCHANGE CHARGE.					
NOTE 2: MAY BE USED W/ WELDED TYPE CONVERTER ON 1961 AND 1962 MODELS.					
62-67	Y	3799830	3	.36	BOLT, TRANS TO ENGINE OR FLYWHEEL (3/8" X 24 X 9/16)
62-67	Y (327)	3852880	1	154.00	CONVERTER, TORQUE (EXCHANGE ITEM, 1) (NOTE 1)
61	Y	3785104	1	.75	RETAINER, TRANS. TO FLYWHEEL (3/8-24) (NOTE 2)
53-62	Y	3814585	1	3.50	SEAL, SQUARE RING (12 I.D. X .120)
4.205 CLIP-GASKET -MODULATOR -PIPE-PLUNGER-SPRING-TEE-VALVE , Transmission Vacuum					
63-66	Y (EXC. 396)	3981553	1	.21	CLIP, PIPE TO ENG (1/16")
66-67	Y	3905427	1	.43	CLIP, VAC. PIPE
62-67	Y	6257218	1	.52	GASKET (23/32 I.D. X 1" O.D. X 1/64" THK.)
62-63	Y (1ST DESIGN)	352637	1	13.35	MODULATOR (1 PC. DESIGN)
63-67	Y (2ND DESIGN)	352635	1	13.35	MODULATOR
66-67	Y	3937972	1	15.30	PIPE, VAC MOD
63-67	Y	3830311	1	.40	PLUNGER
63-67	Y	3839599	1	.43	SPRING, DAMPING
65-67	Y	336013	1	2.25	TEE, TRANS VAC MOD FRT PIPE (3/8-18 THDS.) (3 27/8)
65-67	Y	3847870	1	3.55	VALVE (2 13/32" O.L.)
4.220 BRACKET-PAWL-SEAL, Transmission Park Lock					
63-67	Y	3789127	1	5.95	BRACKET, REACTION
62-67	Y	3815199	1	6.95	PAWL
62-67	Y	3789137	1	1.15	SEAL, RANGE SEL
4.342 CABLE , Transmission to Speedometer					
NOTE: SHAFT LENGTH IS GENERALLY 1 1/8 LONGER THAN CASING DIMENSION LISTED.					
NOTE 1: CUT TO REQUIRED LENGTH.					
53-67	Y	6477499	1	N.L.	CABLE (CONSISTS OF SHAFT, TIP) (AC-615) (70" O.L.) (NOTE 1)
53-67	Y	6478825	1	10.15	CABLE, LESS CASING (171" O.L.) (81" TO 145")
53-67	Y	6480250	1	N.L.	CABLE, W/CASING (1426.5MM)
53-67	Y	6480254	1	N.L.	CABLE, W/CASING (2025.0MM)
53-65	Y	6480373	1	N.L.	CABLE, W/CASING (56" TO 60")
53-67	Y	25032278	1	N.L.	CABLE, W/CASING (60" TO 64")
55-67	Y	6480374	1	12.09	CABLE, W/CASING (68")
55-67	Y (6 CYL.) (EXC. F.I. W/H.L. CAM)	6480370	1	11.55	CABLE, W/CASING (40")
65-66	Y	6480368	1	28.15	CABLE, W/CASING (120")
65-67	Y	6480375	1	23.60	CABLE, W/CASING (92 1/2")
66-67	Y	6480373	1	N.L.	CABLE, W/CASING (1476.5MM)

7.518 PLATE-SPACER, R/r Spring and Shock Absorber Anchor

NOTE: SPRING (WHITE CODE) 1-BETWEEN SPRING AND DIFFERENTIAL CARRIER. 1-BETWEEN SPRING AND PLATE. SPRING (GREEN CODE) 2-BETWEEN SPRING AND DIFFERENTIAL CARRIER. SPRING (RED CODE) 2-BETWEEN SPRING AND PLATE.

83-77	Y	3817582	1	6.30	PLATE, ANCHOR
78-79	Y	457977	1	3.60	PLATE,
80	Y	14010398	1	2.05	PLATE,
81-82	Y	14030188	1	2.05	PLATE,
78-79	Y	459032	2	.91	SPACER,
80	Y (EXC H.D. SUSP FE7)	14030191	2	11.55	SPACER,
81-82	Y (EXC H.D. SUSP FE7)	3849370	1	.40	SPACER (.50 X .72 X .196)
81-82	Y (EXC H.D. SUSP FE7)	14030190	1	.90	SPACER, PLATE TO DIFF
81-82	Y (EXC H.D. SUSP FE7)	14030191	2	11.55	SPACER, (NOTE 1)

8.143 SCREW -WASHER, Front Fender

53-59	Y	3050059	20	.35	SCREW (NO. 14-10 X 3/4")
65-77	Y	3704579	AR	.30	WASHER, SKIRT (9/32 I.D. X 1 1/8 O.D. X 3/64 THICK) (STEEL)
80-81	Y	3958325	4	.57	WASHER, FRT WHL HSE PNL

8.304 MOLDING, Rocker Panel

62	Y	3820541	LH	50.50	MOLDING (PAINTED)
62	Y	3820542	RH	50.50	MOLDING (PAINTED)
63	Y	3834713	AR	52.50	MOLDING, LEFT OR RIGHT
64	Y	3849594	AR	58.25	MOLDING, LEFT OR RIGHT
65	Y (EXC SI MT EXH)	3859798	1	50.50	MOLDING, LEFT OR RIGHT
65-77	Y W/SI MT EXH	3933848	AR	50.50	MOLDING, BODY SILL
66	Y (EXC SI MT EXH)	3933847	2	48.50	MOLDING, LEFT OR RIGHT
67	Y (EXC SI MT EXH)	3933848	2	54.00	MOLDING, LEFT OR RIGHT
68-69	Y	3933893	LH	31.75	MOLDING, UPR
68-69	Y	3933894	RH	31.75	MOLDING, UPR
68-69	Y (EXC SI MT EXH)	3938387	LH	28.25	MOLDING, LWR
68-69	Y (EXC SI MT EXH)	3938388	RH	28.25	MOLDING, LWR
70-77	Y	3977823	LH	44.50	MOLDING, BODY SILL
70-77	Y	3977824	RH	44.50	MOLDING, BODY SILL
78	Y W/P255-60 TIRES (QBS)	472749	LH	56.00	MOLDING, BODY SILL
78	Y W/P255-60 TIRES (QBS)	472750	RH	56.00	MOLDING, BODY SILL
78	Y W/Z78	476249	LH	57.00	MOLDING, BODY SILL
78	Y W/Z78	476250	RH	57.00	MOLDING, BODY SILL
79	Y	472749	LH	56.00	MOLDING, BODY SILL
79	Y	472750	RH	56.00	MOLDING, BODY SILL
80	Y	14015283	LH	56.00	MOLDING, BODY SILL
80	Y	14015284	RH	56.00	MOLDING, BODY SILL
81-82	Y	14030131	LH	56.00	MOLDING, BODY SILL
81-82	Y	14030132	RH	56.00	MOLDING, BODY SILL

9.214 CLAMP-GASKET-SCREW-SEAL-SEAL RING, A.C. Evaporator Expansion Valve

NOTE: IF SPECIFIC PIPE ASM. OR TUBE ASM. USAGE CANNOT BE FOUND USE APPLICABLE FITTINGS FROM GROUP 9.226 AND CUT HOSE FROM GROUP 9.225 TO DESIRED LENGTH.

83-72	Y	719544	1	.79	CLAMP (BLACK)
83-88	Y	3147034	1	.45	CLAMP, VLV CAPILLARY TUBE BULB (11/16" I.D.)
83-74	Y	8528845	AR	.16	GASKET, O RING, FREON TUBE FITTING, OTLT TUBE (3/16" I.D. X 9/32" O.D.)
75-77	Y	6551143	2	1.09	SCREW, W/WASHER, VLV CAP RET
78-82	Y W/A.C.	6553521	AR	.99	SEAL O RING (.676" I.D. X .07 THK)
73-77	Y	6556523	2	.99	SEAL RING, THERM EXPN VLV CAPSULE-A/C V.I.R. EXPN VLV
73-77	Y	9948028	1	.99	SEAL RING, EVAP INLET LINE CONN
77-80	Y	5887997	2	.36	SEAL RING, SUCTION DISC PORTS (9.226)

9.281 CLAMP-CONNECTOR-HOSE-SPRING CLIP-TEE, A.C. Vacuum & Temperature

NOTE 1: 1ST DESIGN HAS BLACK WATER VLV CONTROL SWITCH. 2ND DESIGN HAS WHITE WATER VLV VACUUM CONTROL SWITCH.

53-82	Y	1470029	1	1.60	CLAMP, WORM TYPE (50" TO 97" DIA.) (1 166)
68-77	Y	399577	1	51	CONNECTOR, VAC HOSE
69-82	Y	3984352	1	2.50	HOSE, AIR INLET PLENUM VLV ACTR VLV
76	Y	366449	1	20.45	HOSE, HTR AND A.C VAC CONT
77-79	Y (1ST DESIGN-1979)	459335	1	18.65	HOSE, HTR AND A.C VAC CONT (NOTE 1)
79-82	Y (2ND DESIGN-1979)	14009285	1	18.65	HOSE, HTR AND A.C VAC CONT (NOTE 1)
82	Y	3987362	AR	23	HOSE (3/32 X 25')
68-78	Y	9793032	AR	1.80	SPRING CLIP, STEEL (312 X 468 CLEAR BLACK) (2 765)
65-68	Y	3752621	1	53	TEE, REFRIG VAC CONT HOSE(3.278)
69	Y	3895904	1	1.20	TEE, AIR VLV ACTR
73-74	Y	3752621	1	53	TEE, INLET MANIF VAC FITTING HOSE (3 278)
73-74	Y	3992117	1	.86	TEE, HDLP VAC CONT

9.667 BOLT -BRACKET-CLIP-FASTENER-NUT-RETAINER, Radio Mounting

75-77	Y	3996288	AR	.56	BOLT (8-32 X 1)
78-82	Y	489088	AR	.33	BOLT, W/CLIP, RDO RCVR
80	Y (305H) W/CLSD LOOP	489088	4	.33	BOLT, W/CLIP, ELEC CONT MOD BRKT
73-82	Y	3921418	1	.45	BRACKET, RCVR UPR
73-76	Y	3921417	1	.50	BRACKET, RCVR LWR
81	Y W/C.B. (UM5, UN5)	14034389	LH	.45	BRACKET, C.B. RDO TRANSCEIVER
81	Y W/C.B. (UM5, UN5)	14034370	RH	.45	BRACKET, C.B. RDO TRANSCEIVER
82	Y W/C.B. (UN5)	14034389	LH	.45	BRACKET, C.B. RDO TRANSCEIVER
82	Y W/C.B. (UN5)	14034370	RH	.45	BRACKET, C.B. RDO TRANSCEIVER
82	Y	10028887	AR	.30	CLIP, U-NUT AND STUD (M5X0.8-10 THD)
78-82	Y W/C.B.	475816	1	.94	FASTENER, CB RDO MICROPHONE
73-79	Y	7279805	2	.10	NUT, REC V MT AT CONT KNOBS
77-82	Y	3937646	2	.35	NUT, RCVR
78-79	Y W/STEREO RDO, C.B.	549764	1	2.45	RETAINER, CB MICROPHONE (RELOCATE HOLES AS REQUIRED)

9.775 GROMMET-SEAL, Wiring and Pipes

NOTE: SOME GROMMETS MAY REQUIRE THE ADDITION OF HOLES.

53-60	Y	3913872	1	.81	GROMMET, TACH., SPEEDO. FLEX SHAFT, RUBBER (1 1/8" O.D. X 3/8" I.D.)
58-62	Y	3918672	1	.81	GROMMET, SW WIRING HARN AND SW (9/32")
60-82	Y	3708175	AR	.66	GROMMET, GAS TANK VENT PIPE HOSE, CHASSIS WIRING HARN, FLDG TOP WIRING HARN, LICENSE PLATE LAMP WIRE, GAS GAGE WIRE SPEEDO FLEX SHAFT (1/8")
63-67	Y	3838273	1	.98	GROMMET, OIL PRESS GAGE PIPE, WIPER SW WIRE AND VAC HOSE, RR WIRING HARN (2 1/8" OD-4 HOLES)
63-69	Y W/A.C.	332850	1	.36	GROMMET, INLET TUBE AT RAD SUPT (13/16" I.D.)
65-67	Y	3875822	1	1.05	GROMMET, SPEEDO AND TACH FLEX SHAFT
65-68	Y (39C, 427) W/SP. H/PER.	3711346	AR	.44	GROMMET, SPARK PLUG WIRE
66-70	Y	409988	2	.28	GROMMET, IGN COIL
67	Y	3711346	AR	.44	GROMMET, PARK BRK C3L
68	Y	3918672	AR	.81	GROMMET, ANTI-THEFT ALARM SYSTEM HORN
68-76	Y	3918672	1	.81	GROMMET, PARK BRK CBL IN U/B, W/S/W NOZZLE HOSE
68-76	Y	3919057	1	.38	GROMMET, JODY WRG HARN
68-77	Y	6437746	2	1.08	GROMMET, BACKING LP WIRE, BODY WRG HARN (4.197)
69-81	Y	3897358	1	.68	GROMMET, U/B MOTOR COMPT LGT LEADS (RUBBER) (.64 HOLE)
70-62	Y	332850	1	.36	GROMMET, SPEEDO FLEX SHAFT
74-81	Y	3829698	AR	.36	GROMMET (RUB OD .84, ID .66, HOLE SIZE .09 LOCATION)
74-77	Y	3918672	2	.81	GROMMET, WSWA NOZ HOSE
75	Y W/A.C.	3027215	1	.33	GROMMET, EVAP INLET PIPE
76-82	Y	8284117	1	.57	GROMMET, SPL PARK BRK CBL IN U/B
79	Y W/ELEC DEFG	3979758	1	.66	GROMMET, RR WDO DEFOG HARN
79	Y W/ELEC DEFG	3979758	1	.68	GROMMET, A.C. COND. TUBE
80-82	Y	3979758	1	.66	GROMMET, I/P WRG HARN
82	Y	14043231	2	.68	GROMMET, CLOSED LOOP HARN
78	Y	3008861	3	.50	SEAL, EVAP CORE TO CASE

12.945 BALL-BEZEL-BUMPER-BUSHING-DOOR-EMBLEM-HINGE-LABEL-NUT-PIN-SPRING, Fuel Tank Filler

NOTE 1: WHEN USING 14042300 ON MODEL YEARS PRIOR TO 1982 IT WILL BE NECESSARY TO RELOCATE EMBLEM ATTCH HOLE, OR ELSE PROCURE 82 EMBLEM

68-70 Y	3915632	2	52	BALL, FUEL TANK FIL DR BEZEL
64-67 Y67	3839710	1	6.45	BEZEL, OPG (CONCEALED HINGE TYPE)
71-77 Y	3977.29	1	20.85	BEZEL, FUEL TANK FIL DR
78-82 Y	14030.70	1	20.00	BEZEL, FUEL TANK FIL DR
69-82 Y	395456	1	44	BUMPER, DR
71-82 Y	3977834	2	40	BUSHING, FIL DR HINGE PIN
63-67 Y	3874528	1	56.50	DOOR
68-70 Y	3954544	1	17.40	DOOR
71-77 Y	339116	1	17.40	DOOR
78-79 Y	466653	1	17.35	DOOR
80-82 Y	14042300	1	17.40	DOOR
68-73 Y	3957809	1	11.10	EMBLEM, DR
75-76 Y	358737	1	27.25	EMBLEM, DR
77 Y	379935	1	10.20	EMBLEM, DR
78 Y	472718	1	11.05	EMBLEM, DR
79 Y	471295	1	9.35	EMBLEM, DR
80 Y	14016099	1	10.80	EMBLEM, DR
81 Y	14030130	1	10.80	EMBLEM, DR
82 Y67	14042291	1	13.50	EMBLEM, DR
82 Y87	14042293	1	10.35	EMBLEM, DR
71-77 Y	3977832	1	1.45	HINGE, DR
78-82 Y	466655	1	1.45	HINGE, DR
75-81 Y	355449	1	91	LABEL (UNLEADED FUEL ONLY) (STRAIGHT) (03.028)
69-73 Y	9417611	2	28	NUT, FIL DR EMBLEM
76-78 Y	347893	1	35	NUT, FUEL TANK FIL DR HINGE
71-82 Y	3977835	1	36	PIN, DR
61 Y	3782562	1	80	SPRING, DR HINGE (1 5/16" LONG-20 COILS) (8.085)
63-67 Y	2336771	1	77	SPRING, DR CATCH (4.864)
65-76 Y67	3795387	1	1.25	SPRING, DR HINGE AND HOOD LK REL
71-82 Y	3977838	1	96	SPRING, FIL DR HINGE

13.090 CLIP-HARNESS-WIRE, Body Wiring

NOTE 1: ANTI-THEFT SWITCH MOUNTED IN FENDER.

NOTE 2: ANTI-THEFT SWITCH MOUNTED IN DOOR LOCK.

NOTE 3: COURTESY LAMP TIMER MTD BEHIND THE INSTRUMENT PANEL AND LEFT OF THE STEERING COLUMN.

NOTE 4: COURTESY LAMP TIMER MTD BEHIND THE INSTRUMENT PANEL AND RIGHT OF THE GLOVE BOX.

NOTE 5: WHEN ANTI-THEFT SWITCH IS IN DOOR LOCK, P/N'S 12007858 WIRE ASM AND 8916559 HARNESS ASM MUST BE USED TOGETHER.

68-82 Y	3923961	2	38	CLIP, HARN TO RKR PNL W/H CUP
68-77 Y	3935510	3	38	CLIP, HARN TO U/B AND TO COWL SI PNL
80-82 Y	14020033	4	35	CLIP, BODY WRG HARN
63-67 Y W/ELEC WDO	2988102	1	43.75	HARNESS, WDO REG WRG
68 Y	6295248	1	213.00	HARNESS, BODY WRG
69 Y	797545	1	232.00	HARNESS, BODY WRG
70-74 Y W/ELEC WDO	3901971	1	84.00	HARNESS, WDO REG WRG
75-78 Y W/ELEC WDO	12003664	1	125.00	HARNESS, WDO REG WRG
77-78 Y	8916559	1	125.00	HARNESS, WDO REG WRG (NOTE 5)
78 Y	12005323	1	258.00	HARNESS, BODY WRG
78 Y W/ELEC. WDO. (1ST DESIGN)	12005377	1	125.00	HARNESS, WRG WDO REG (NOTE 3)
78 Y W/ELEC. WDO. (2ND DESIGN)	12005552	1	84.00	HARNESS, WRG WDO REG (NOTE 4)
79 Y (EXC. ELEC. DEFG.)	12005323	1	258.00	HARNESS, BODY WRG
79 Y W/ELEC. DR. LK.	12005531	RH	52.50	HARNESS, ELEC DR LK (10.485)
79 Y W/ELEC. DR. LK.	12005532	LH	52.50	HARNESS, ELEC DR LK (10.485)
79 Y W/ELEC. DEFG.	12005789	1	236.00	HARNESS, BODY WRG
80-82 Y	12005837	LH	52.50	HARNESS, PWR DR LK & PWR WDO (10.485)
80-82 Y	12005838	RH	52.50	HARNESS, PWR DR LK & PWR WDO (10.485)
80 Y (EXC. ELEC. DEFG.)	12005832	1	258.00	HARNESS, BODY WRG
80-81 Y W/ELEC. DEFG. (2ND DES)	12016389	1	236.00	HARNESS, BODY WRG (INTEGRAL TIMER & RELAY DEFGH)
80 Y W/ELEC. DEFG. (1ST DES)	12005833	1	236.00	HARNESS, BODY WRG (SEPARATE TIMER & RELAY DEFGH)
82 Y	12016413	1	289.00	HARNESS, BODY WRG
77-78 Y	12007858	1	31.75	WIRE, SW JPH (NOTE 5)
79-80 Y (EXC. ELEC. DR. LK.)	12005581	LH	36.00	WIRE, PWR WDO

Microfiche on CD-ROM End-User License Agreement

NOTICE TO USER: THIS IS A CONTRACT. BY PURCHASING AND USING THE MICROFICHE ON CD-ROM, YOU ACCEPT ALL THE TERMS AND CONDITIONS OF THIS AGREEMENT.

This End User License Agreement accompanies the Microfiche on CD-ROM product and related explanatory materials. Please read this Agreement carefully. By purchasing and using the Microfiche on CD-ROM, you are implying that you have carefully read, agree with, and will adhere to the conditions set forth in this agreement. If you do wish to accept the terms of this end-user agreement, please do not use the Microfiche on CD-ROM. You will not be permitted to use the Microfiche on CD-ROM without consenting to this end-user agreement.

Upon your acceptance of this Agreement, Samuel A. Namen grants to you a nonexclusive license to use the Microfiche on CD-ROM, provided that you agree to the following:

1. Use of the Software.

You may install the PDF file on a hard disk or other storage device for personal use only. Each Microfiche on CD-ROM comes with a single user license. Under no circumstances should the contents of the Microfiche on CD-ROM be placed on a file server for the purposes of distributing or allowing access to the material over a network.

2. Copyright and Trademark Rights.

The Microfiche on CD-ROM is owned by Samuel A. Namen, and its structure and organization are considered the intellectual property of Samuel A. Namen. The Microfiche on CD-ROM also is protected by United States Copyright Law and International Treaty provisions. This Agreement does not grant you any intellectual property or resale rights to the Microfiche on CD-ROM.

3. Restrictions.

You agree not to modify, adapt, translate, reverse engineer, decompile, or disassemble the PDF file on the Microfiche on CD-ROM. The Microfiche on CD-ROM is licensed and distributed by Samuel A. Namen for single user utilization of its contents only. Licensed users will be permitted to use the contents of the Microfiche on CD-ROM for multimedia presentations to an audience from a single machine using a large display or projection device, but the Microfiche on CD-ROM may not otherwise be distributed, sold to or made accessible to multiple users.

4. No Warranty.

The Software is being delivered to you AS IS, and Samuel A. Namen makes no warranty as to its use or performance. SAMUEL A. NAMEN DOES NOT AND CANNOT WARRANT THE PERFORMANCE OR RESULTS YOU MAY OBTAIN BY USING THE MICROFICHE ON CD-

ROM OR DOCUMENTATION, NOR MAKES ANY WARRANTIES, EXPRESS OR IMPLIED, AS TO NONINFRINGEMENT OF THIRD-PARTY RIGHTS, MERCHANTABILITY, OR FITNESS FOR ANY PARTICULAR PURPOSE. IN NO EVENT WILL SAMUEL A. NAMEN BE LIABLE TO YOU FOR ANY CONSEQUENTIAL, INCIDENTAL, OR SPECIAL DAMAGES FOR ANY REASON.

5. Governing Law and General Provisions.

This Agreement will be governed by the laws of the State of Ohio, USA, excluding the application of its conflicts of law rules. This Agreement will not be governed by the United Nations Convention on Contracts for the International Sale of Goods, the application of which is expressly excluded. If any part of this Agreement is found void and unenforceable, it will not affect the validity of the balance of the Agreement, which shall remain valid and enforceable according to its terms. You agree that the Microfiche on CD-ROM will not be shipped, transferred, or exported into any country or used in any manner prohibited by the United States Export Administration Act or any other export laws, restrictions, or regulations. This Agreement shall automatically terminate upon failure by you to comply with its terms. This Agreement may only be modified in writing signed by an authorized officer for Samuel A. Namen.

Samuel A. Namen
Canton, Ohio 44710
USA

YOUR ACCEPTANCE OF THE FOREGOING AGREEMENT IS
IMPLIED UPON PURCHASING AND USING THE MICROFICHE ON CD-ROM.

VIOLATIONS OF THESE CONDITIONS WILL BE PROSECUTED IN EVERY
CASE.

© 2000,2001 Samuel A. Namen
All rights reserved.